

ASSEMBLY GUIDE | GUIDE D'ASSEMBLAGE GUÍA DE MONTAJE | MONTAGEANLEITUNG | GUIDA DI MONTAGGIO



PIT BOSS[®] NAVIGATOR

MODEL / MODÈLE / MODELO / MODELL / MODELLO : PB1230G
PART / PIÈCE / PARTE / TEIL / PARTE : 10618



WOOD PELLET & GAS COMBO

IMPORTANT, READ CAREFULLY, RETAIN FOR FUTURE REFERENCE. MANUAL MUST BE READ BEFORE OPERATING!

BARBECUE À GRANULÉS DE BOIS ET À GAZ

IMPORTANT, PRENEZ CONNAISSANCE DE CE DOCUMENT ET CONSERVEZ-LE POUR RÉFÉRENCE ULTÉRIEURE. VOUS DEVEZ LIRE CE GUIDE AVANT D'UTILISER LE BARBECUE!

UNIDAD COMBINADA DE GRÁNULOS DE MADERA Y GAS

IMPORTANTE, LEER DETENIDAMENTE, CONSERVAR PARA REFERENCIA FUTURA. LEA EL MANUAL ANTES DEL USO!

HOLZPELLET- UND GASKOMBINATION

WICHTIG: AUFMERKSAM LESEN UND GUT AUFBEWAHREN BITTE UNBEDINGT VOR GEBRAUCH DIE BEDIENUNGSANLEITUNG SORGFÄLTIG DURCHLESEN!

COMBINAZIONE PELLETT E GAS

IMPORTANTE: LEGGERE ATTENTAMENTE E CONSERVARE PER RIFERIMENTO FUTURO. LEGGERE IL MANUALE PRIMA DELL'USO.

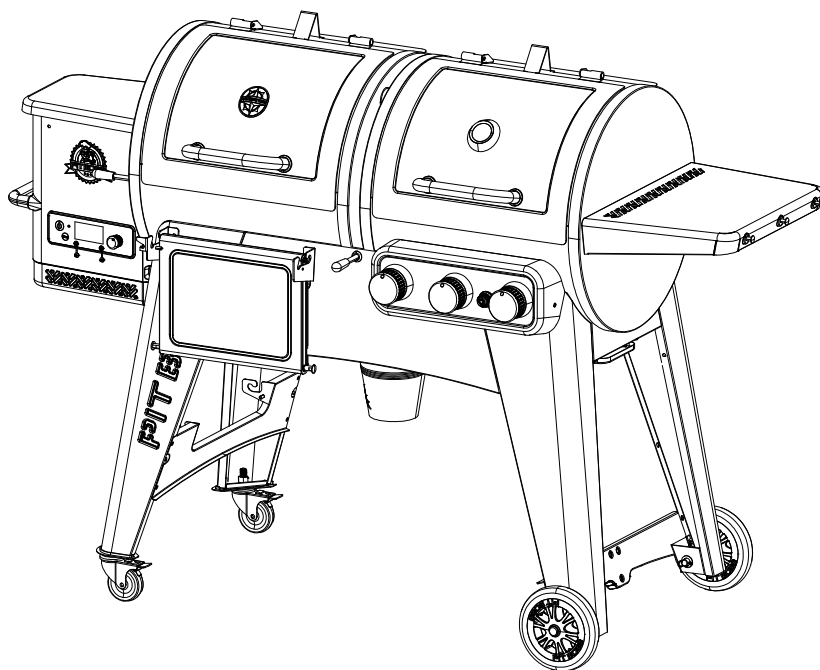
WARNING: PLEASE READ THE ENTIRE MANUAL BEFORE INSTALLATION AND USE OF THIS ELECTRIC, PELLET FUEL-BURNING APPLIANCE. FAILURE TO FOLLOW THESE INSTRUCTIONS COULD RESULT IN PROPERTY DAMAGE, BODILY INJURY OR EVEN DEATH. CONTACT LOCAL BUILDING OR FIRE OFFICIALS ABOUT RESTRICTIONS AND INSTALLATION INSPECTION REQUIREMENTS IN YOUR AREA.

AVERTISSEMENT : VEUILLEZ LIRE L'INTÉGRALITÉ DU MANUEL AVANT L'INSTALLATION ET L'UTILISATION DE CET APPAREIL ÉLECTRIQUE À COMBUSTION DE GRANULÉS DE BOIS. LE NON-RESPECT DE CES INSTRUCTIONS PEUT ENTRAÎNER DES DOMMAGES MATÉRIELS, DES DOMMAGES CORPORELS OU MÊME LA MORT. CONTACTEZ LES AUTORITÉS LOCALES COMPÉTENTES CONCERNANT LES RESTRICTIONS ET LES EXIGENCES D'INSPECTION EN VIGUEUR DANS VOTRE RÉGION.

ADVERTENCIA: LEA TODO EL MANUAL ANTES DE INSTALAR Y USAR ESTA UNIDAD QUE FUNCIONA CON ELECTRICIDAD Y COMBUSTIÓN DE PELLETS. SI NO SE SIGUEN ESTAS INSTRUCCIONES, PUEDEN PRODUCIRSE DAÑOS MATERIALES, LESIONES CORPORALES O INCLUSO LA MUERTE. PARA CONSULTAR LAS RESTRICCIONES Y REQUISITOS DE INSPECCIÓN DE LAS INSTALACIONES DE SU ZONA, PÓNGASE EN CONTACTO CON LOS ENCARGADOS DE EDIFICIO O EL DEPARTAMENTO DE BOMBEROS.

ACHTUNG: BITTE LESEN SIE DIE GESAMTE ANLEITUNG SORGFÄLTIG DURCH, BEVOR SIE DIESES ELEKTRISCHE, PELLETBEFEUERTES GERÄT INSTALLIEREN UND BENUTZEN. DIE NICHTBEACHTUNG DIESER ANWEISUNGEN KANN ZU SACHSCHÄDEN, KÖRPERVERLETZUNGEN ODER Sogar ZUM TOD FÜHREN. WENDEN SIE SICH AN LOKALE BAU- ODER BRANDSCHUTZBEHÖRDEN, UM INFORMATIONEN ÜBER EINSCHRÄNKUNGEN UND ANFORDERUNGEN AN DIE INSTALLATIONSINSPEKTION IN IHRER NÄHE ZU ERHALTEN.

AVVERTENZA: LEGGERE L'INTERO MANUALE PRIMA DELL'INSTALLAZIONE E DELL'USO DI QUESTA APPARECCHIATURA ELETTRICA PER LA COMBUSTIONE DI PELLETT. LA MANCATA OSSERVANZA DELLE ISTRUZIONI PUÒ CAUSARE DANNI ALLA PROPRIETÀ, LESIONI FISICHE O MORTE. CONTATTARE LE AUTORITÀ LOCALI COMPETENTI PER L'EDILIZIA O I VIGILI DEL FUOCO PER INFORMAZIONI SULLE RESTRIZIONI E SUI REQUISITI DI ISPEZIONE DEGLI IMPIANTI NELLA PROPRIA ZONA.



For outdoor and household use only. Not for commercial use.
Réserve à l'usage extérieur et résidentiel uniquement. Non destiné à un usage commercial.
Solo para uso doméstico y en el exterior. No apto para uso comercial.
Bitte nur im Freien und privat nutzen. Nicht für die gewerbliche Anwendung geeignet.
Solo per uso domestico ed esterno. Non per uso commerciale.

TABLE OF CONTENTS

Parts & Specs..... 3

Assembly Preparation..... 5

Assembly Instructions

- Assemble the Grease Tray Support 5
- Mounting the Grease Tray To the Main Barrel 5
- Installing the Lid Stopper 6
- Securing Support Plates And Caster Wheels..... 6
- Securing Support Plates And Wheels 6
- Securing The Frame Assembly..... 7
- Mounting Main Barrel To The Cart..... 7
- Securing Cart Panel To The Grill 7
- Installing The Lid Handle..... 7
- Securing The Front Shelf Brackets..... 8
- Installing The Front Shelf 8
- Installing The Side Shelf 8
- Installing The Grill Cooking Components 9
- Installing Grease Bucket 10
- Installing The Battery 10
- Connecting To A Power Source..... 10



COPYRIGHT NOTICE
 Copyright 2021. All right reserved. No part of this manual may be copied, transmitted, transcribed, stored in a retrieval system, in any form or by any means without expressed written permission of,

DANSONS EUROPE
 11 Rue Galvani Paris, France 75017

DANSONS NORTH AMERICA
 3411 North 5th Avenue, Suite 500, Phoenix, Az, USA 85013

CUSTOMER CARE
www.pitboss-grills.com

PARTS & SPECS

Part#	Description
1	Porcelain-Coated Steel Upper Cooking Rack (x2)
2	Porcelain-Coated Cast-Iron Cooking Grid (x4)
3	Flame Broiler Slider (x1)
4	Flame Broiler Main Plate (x1)
5	Flame Broiler Adjusting Bar (x1)
6	Flame Broiler Adjusting Bar Handle (x1)
7	Heat Tent (x3)
8	Lid Stopper (x2)
9	Lid Handle (x2)
10	Lid Handle Bezel (x4)
11	Main Barrel / Hopper Assembly (x1)
12	Meat Probe (x2)
13	Smoker Adjusting Bar (x1)
14	Side Shelf (x1)
15	Grease Tray Support A (x2)
16	Grease Tray Support B (x2)
17	Grease Tray (x1)
18	Grease Bucket Liner (x1)
19	Grease Bucket (x1)
20	Support Leg for Caster / Back (x1)
21	Support Leg for Caster / Front (x1)
22-1	Left Front Support Leg Trim Piece (x1)
22-2	Left Back Support Leg Trim Piece (x1)
23	Locking Casters (x2)
24	Support Leg / Back (x1)
25	Support Leg / Front (x1)
26	Wheel (x2)
27	Cart Side Panel (x2)
28	Cart Back Panel (x1)
29	Cart Front Panel (x1)
30	Cart Support Girder M (x1)
31	Cart Support Girder L (x1)

Part#	Description
32	Front Shelf Bracket /L (x1)
33	Front Shelf Bracket /R (x1)
34	Front Shelf (x1)
35	Cable Clip (x1)
36	Power Cord - F Plug (x1)
37	Power Cord - G Plug (x1)
A	Screw (x30)
B	Washer (x30)
C	Locking Washer (x30)
D	Screw (x26)
E	Screw (x4)
F	Wheel Cotter Pin (x2)
G	Wheel Washer (x2)
H	Wheel Axle Pin (x2)
I	AA Battery (x1)

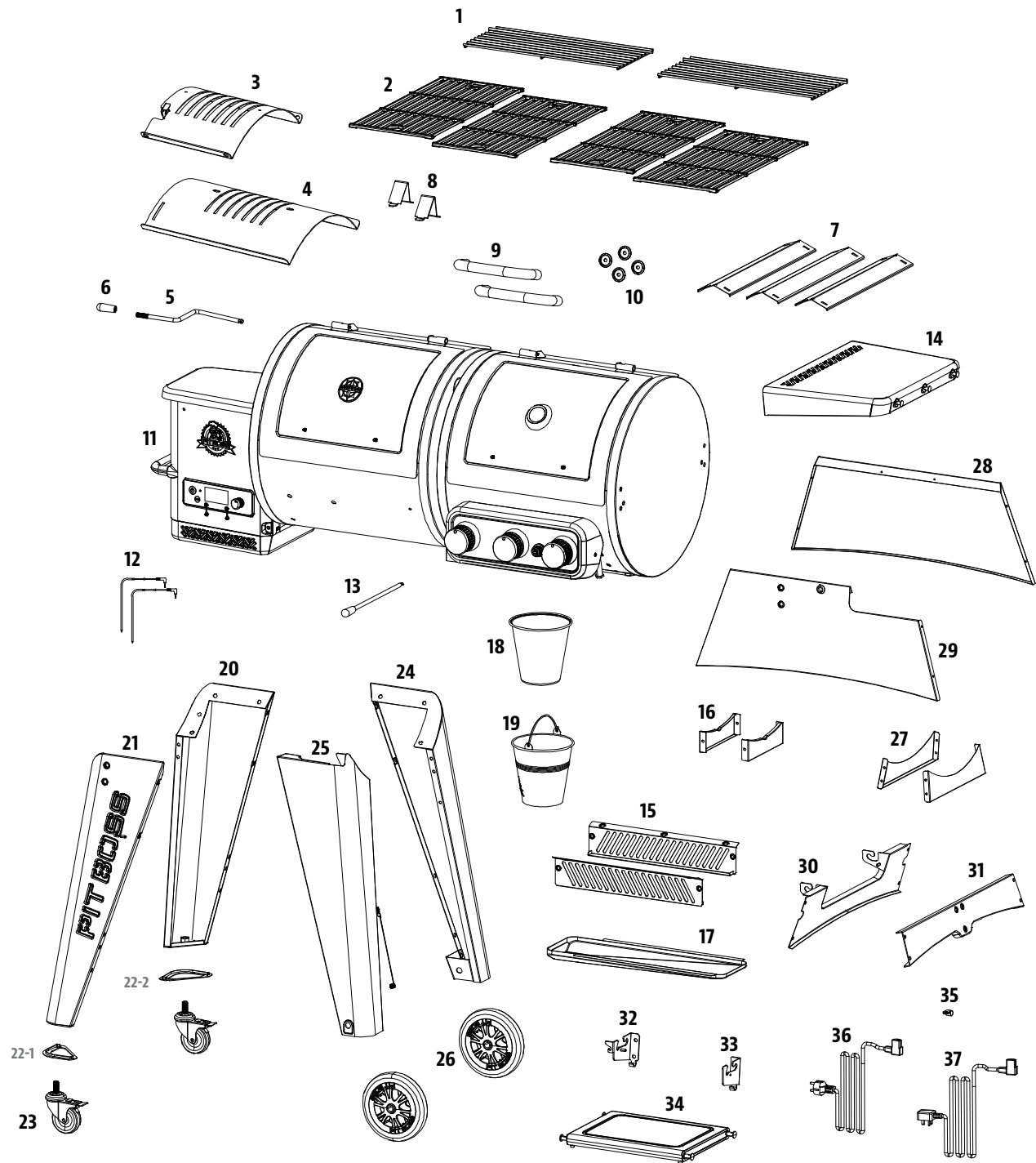
NOTE: Due to ongoing product development, parts are subject to change without notice. Contact Customer Service if parts are missing when assembling the unit.

PB – ELECTRIC REQUIREMENTS
220-240V, 50Hz, 250W, 3-PRONG GROUNDED PLUG

Diagram Illustration on next page.

MODEL	UNIT ASSEMBLED (WxHxD)	UNIT WEIGHT	COOKING AREA		TEMP. RANGE	DIGITAL FEATURES
PB PB1230G	1,759mm x 1,195mm x 866mm / 69.2" x 47" x 34.1"	92 kg / 202.82 lb	Main Pellet - 2,580.6 cm ² / 400 sq. in.	Main Gas - 2,580.6 cm ² / 400 sq. in.	82-260°C / 180-500°F	Ten temperature presets, start-up cycle, electric igniter
			Upper Rack - 1,489 cm ² / 230.8 sq. in.	Upper Rack - 1,489 cm ² / 230.8 sq. in.		
			TOTAL - 4,069.6 cm² / 630.8 sq. in.			
			TOTAL GRILL - 8,139.2 cm² / 1,261.6 sq. in.			

PARTS & SPECS



A		B		C		D		E	
F		G		H		I			

ASSEMBLY PREPARATION

Parts are located throughout the shipping carton, including underneath the grill. Inspect the grill, parts, and hardware blister pack after removing from the protective shipping carton. Discard all packaging materials from inside and outside of the grill before assembly, then review and inspect all parts by referencing the parts list. If any part is missing or damaged, do not attempt to assemble. Shipping damage is not covered under warranty. Contact your dealer or Pit Boss® Customer Service for parts.

www.pitboss-grills.com

IMPORTANT: To ease installation and avoid injury, use two people when assembling this appliance.

Tools required for assembly: screwdriver and level. *Tools not included.*



ASSEMBLY INSTRUCTIONS

IMPORTANT: It is advised to read each step entirely before starting assembly on instructions. Do not tighten screws completely until all screws for that step have been installed. Hardware combination involving a locking washer and washer should be installed with the locking washer closest to the head of the screw.

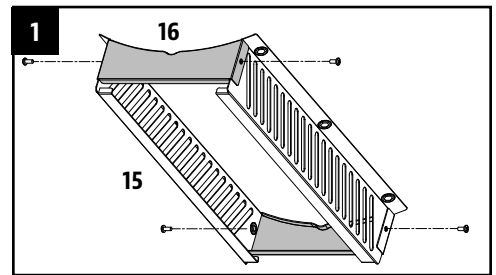
1. ASSEMBLE THE GREASE TRAY SUPPORT

Parts Required:

- 2 x Grease Tray Support A (#15)
- 2 x Grease Tray Support B (#16)
- 4 x Screw (#D)

Installation:

- Mount Grease Tray Support A to Grease Tray Support B using four screws.



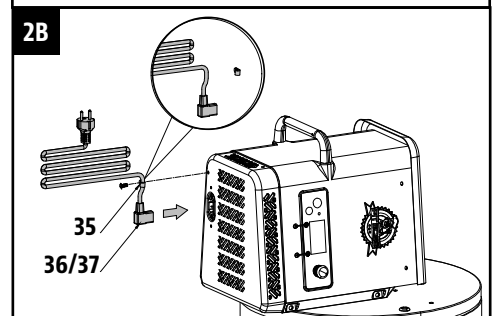
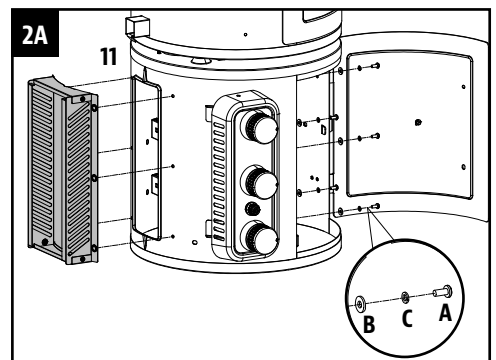
2. MOUNTING THE GREASE TRAY TO THE MAIN BARREL

Parts Required:

- 1 x Main Barrel / Hopper Assembly (#11)
- 6 x Screw (#A)
- 6 x Washer (#B)
- 6 x Locking Washer (#C)
- 1 x Power Cord (#36, #37)
- 1 x Cable Clip (#35)

Installation:

- Place a piece of cardboard on the floor to prevent scratching the unit. Lay the Main Barrel on it's side, hopper end pointed upward on the cardboard.
- Mount Grease Tray Support to the floor end of the Main Barrel using six screws, locking washers and washers. Note Illustration 2A.
- Please replace with the correct power cord for your country, if you find the power cord does not match the plug you are using.
- Place the cable clips on the correct power cord. Insert the power cord into the grove at the bottom of the hopper. Secure the cable clip to the bottom of the hopper with the previously installed screw. Note Illustration 2B.



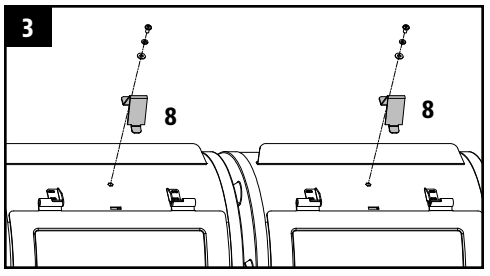
3. INSTALLING THE LID STOPPER

Parts Required:

- 2 x Lid Stopper (#8)

Installation:

- Secure the Lid Stopper onto the top of the Main Barrel using the pre-installed screw on top of the Main Barrel.



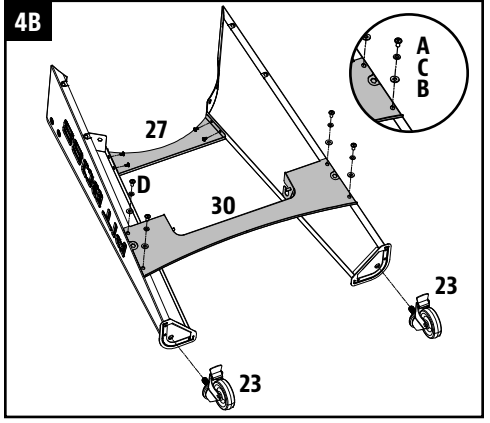
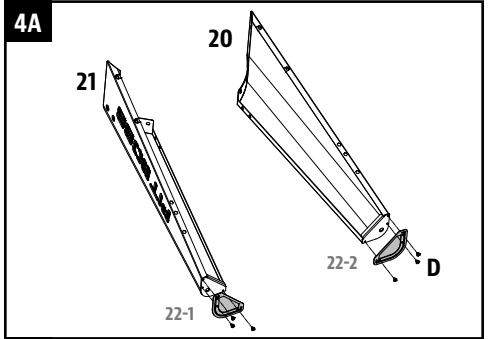
4. SECURING SUPPORT PLATES AND CASTER WHEELS

Parts Required:

- 1 x Support Leg for Caster / Back (#20)
- 1 x Support Leg for Caster / Front (#21)
- 1 x Left Front Support Leg Trim Piece (#22-1)
- 1 x Left Back Support Leg Trim Piece (#22-2)
- 1 x Cart Side Panel (#27)
- 1 x Cart Support Girder / M (#30)
- 2 x Locking Caster (#23)
- 4 x Screw (#A)
- 4 x Washer (#B)
- 4 x Locking Washer (#C)
- 10 x Screw (#D)

Installation:

- Screw Left Front Support Leg Trim Piece to Support Left for Caster / Front. Screw Left Back Support Leg Trim Piece to Support Left for Caster /Back. Note illustration 4A.
- Fix Support Leg for Caster /Front and Support Leg for Caster /Back assembled in previous step with Cart Side Panel connection with screws (#D). Fix the Cart Support Girder M on the assembled parts in previous step with screws (#A), locking washers and washers. Note illustration 4B.



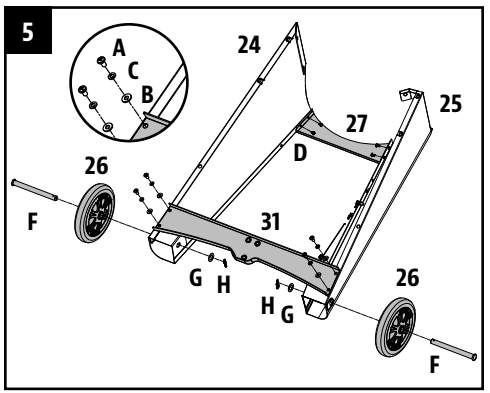
5. SECURING SUPPORT PLATES AND WHEELS

Parts Required:

- 1 x Support Leg / Back (#24)
- 1 x Support Leg / Front (#25)
- 2 x Wheel (#26)
- 1 x Cart Side Panel (#27)
- 1 x Cart Support Girder / L (#31)
- 4 x Screw (#A)
- 4 x Washer (#B)
- 4 x Locking Washer (#C)
- 4 x Screw (#D)
- 2 x Wheel Axle Pin (#F)
- 2 x Wheel Washer (#G)
- 2 x Wheel Cotter Pin (#H)

Installation:

- Fix Support Leg/ Back and Support Leg/ Front with cart Side Panel with screws (#D). Fix the Cart Support Girder L on the assembled member in the previous step with screws (#A), locking washers and washers.
- Attach the large Wheel to the Support Leg by inserting the Wheel Axle Pin through the Wheel, Support Leg hole, then secure using the Wheel Cotter Pin. Repeat installation for other Wheel on the same side.



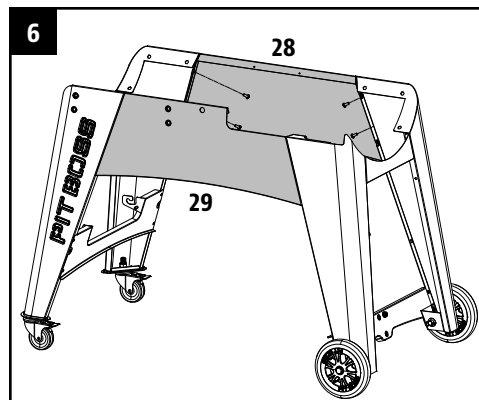
6. SECURING THE FRAME ASSEMBLY

Parts Required:

- 1 x Cart Back Panel (#28)
- 1 x Cart Front Panel (#29)
- 8 x Screw (#D)

Installation:

- Install Cart Back Panel to the front two Support Legs of the unit. Secure using two screws on each side. Ensure the flat side of the Support Plate is facing outwards. Repeat the same installation to Cart Front Panel plate to the other Support Legs.



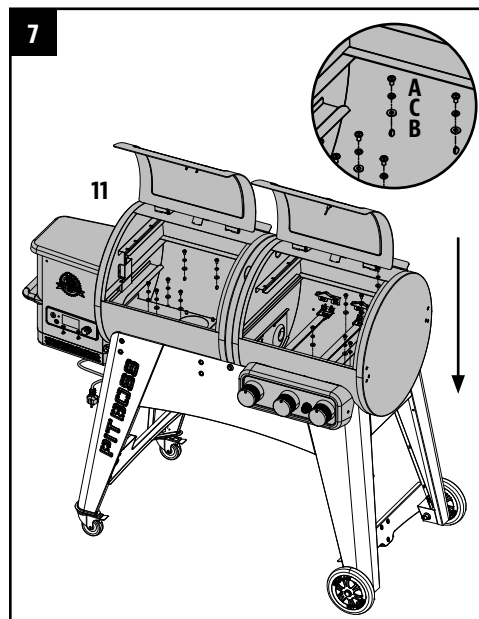
7. MOUNTING MAIN BARREL TO THE CART

Parts Required:

- 1 x Main Barrel (#11)
- 12 x Screw (#A)
- 12 x Washer (#B)
- 12 x Locking Washer (#C)

Installation:

- Prepare the Main Barrel to be mounted to the Cart. Position the Cart next to the Main Barrel, with both facing the same direction. Lock the Caster Wheels on the Cart. Using a second person, prepare to lift the Main Barrel onto the Cart. With one person lifting from the hopper side, and the other person lifting from the opposing barrel end, carefully lift the Main Barrel, and slowly lower onto the Cart.
- Next, open the Main Barrel lid. Adjust the rotation as needed to align the screw holes of the Main Barrel to the Cart. Once placed, secure each leg to the Main Barrel using three screws, washers, and locking washers.



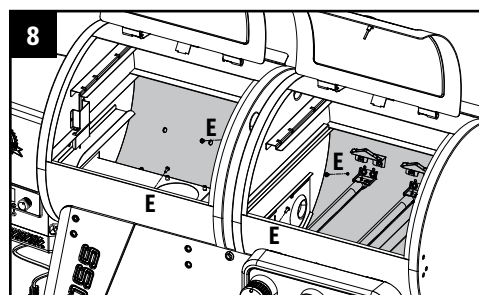
8. SECURING CART PANEL TO THE GRILL

Parts Required:

- 4 x Screw (#E)

Installation:

- Secure Cart Front / Back Panel to Barrel using four screws.



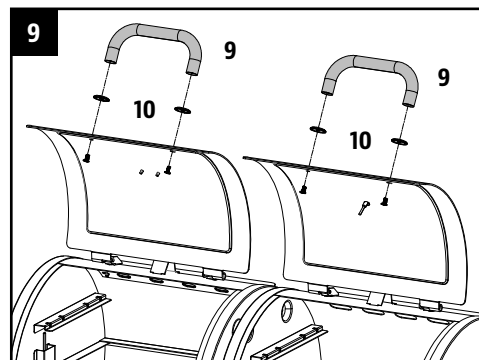
9. INSTALLING THE LID HANDLE

Parts Required:

- 2 x Lid Handle (#9)
- 4 x Lid Handle Bezel (#10)

Installation:

- Remove the pre-installed screws from the Lid Handle. From inside the barrel lid, insert one screw protrude to the outside. Add a Bezel on the screw. Then hand-tighten the screw (from the inside) into the Lid Handle. Repeat for other side.



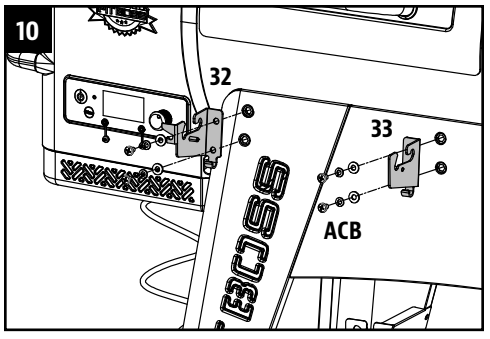
10. SECURING THE FRONT SHELF BRACKETS

Parts Required:

- 1 x Front Shelf Bracket / Left (#32)
- 1 x Front Shelf Bracket / Right (#33)
- 4 x Screw (#A)
- 4 x Washer (#B)
- 4 x Locking Washer (#C)

Installation:

- Attach one Front Shelf Bracket to the front of the Grill Barrel by using two screws. Install each screw half-way, then tighten completely when all two screws are mounted and aligned properly. Repeat the same installation for the other Front Shelf Bracket.



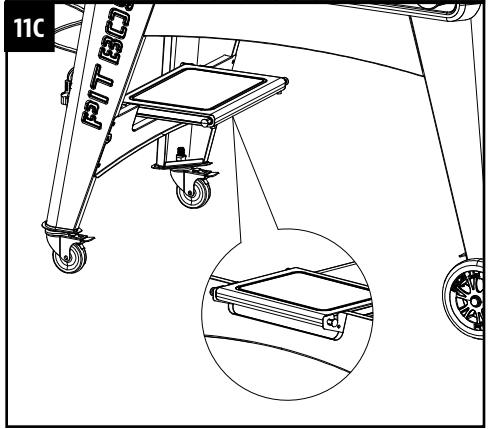
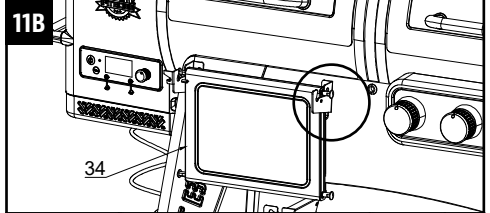
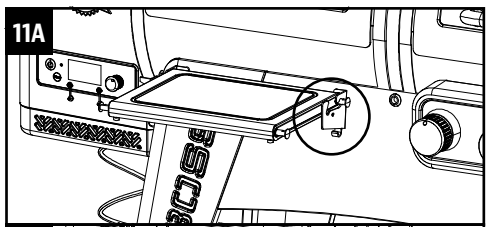
11. INSTALLING THE FRONT SHELF

Parts Required:

- 1 x Front Shelf (#34)

Installation:

- Place the Front Shelf on the Front Shelf Support Brackets. Note illustration 11A as unfolded Front Shelf.
- Note illustration 11B as folded Front Shelf.
- Front Shelf can also be placed on the Bottom Support Plates and be used as Bottom Plate. Note illustration 11C.



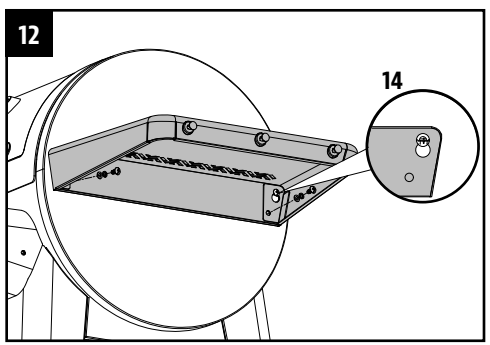
12. INSTALLING THE SIDE SHELF

Parts Required:

- 1 x Side Shelf (#14)

Installation:

- Loosen the two pre-installed screws from the side of the Main Barrel. Hook up the Side Shelf on the screws first then secure the two pre-loosened screws into place.
- From underneath, secure the Side Shelf to the side panel of the Main Barrel using two screws, washers, and locking washers.



13. INSTALLING THE COOKING COMPONENTS

Parts Required:

- 1 x Flame Broiler Main Plate (#4)
- 1 x Flame Broiler Slider (#3)
- 1 x Flame Broiler Adjusting Bar (#5)
- 1 x Flame Broiler Adjusting Bar Handle (#6)
- 1 x Smoker Adjusting Bar (#13)
- 3 x Heat Tent (#7)
- 4 x Porcelain-Coated Casted-Iron Cooking Grids (#2)
- 2 x Porcelain-Coated Upper Cooking Rack (#1)

Installation:

- Insert the Flame Broiler Main Plate into the main grill. Rest the Flame Broiler Main Plate on the built-in ledge (on the inside right) of the Main Grill that directs grease towards the grease bucket spout. Slide the entire piece to the left side, and the two slots on the Flame Broiler Main Plate will fit into the rounded ledge above the burn pot. It will sit slightly at a downward angle. Note illustration 13A.

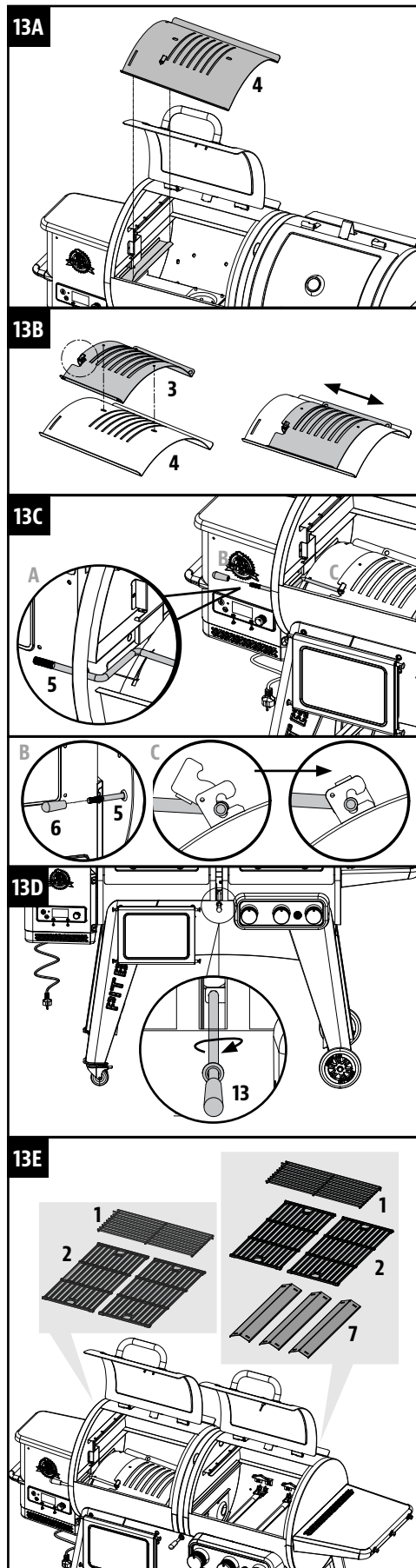
IMPORTANT: If the Main Plate is resting on the base of the Barrel, it is installed incorrectly. Poor installation may result in damage to your Main Grill Barrel.

- Place the Flame Broiler Slider on top of the Flame Broiler Main Plate covering the slotted openings. Ensure the raised tab is on the left and the two pins at the bottom of the Flame Broiler Slider place into the holes of the Flame Broiler Main Plate. To Easily adjust for direct or indirect flame when cooking. Both Flame Broiler parts are lightly coated with oil to avoid rusting when shipped. Note illustration 13B.

NOTE: When the flame broiler slider is open, and direct flame is used while cooking, do not leave the grill unattended for any period of time.

- Insert the Flame Broiler Adjusting Bar through the opening hole on the left side of the Main Barrel. Add the Flame Broiler Adjusting Bar Handle on the end outside the Barrel. Next, slide the notched end of the Adjusting Bar into the locking tab on the Flame Broiler Slider, giving you adjustable access to the Flame Broiler Slider on the Main Plate. Note illustration 13C.
- Screw in the Smoke Adjusting Bar and tighten it. Should slide from front to back smoothly. Note illustration 13D.
- Place the three Heat Tents on the top of the burners. Place the Cooking Grids, side-by-side, on the grid ledge inside the Main Grill. Place the Upper Cooking Rack on the upper ledge inside the Main Grill. The Cooking Rack will lock into place. Note illustration 13E.

NOTE: To maintain the searing and grilling performance of your cooking grids, regular care and maintenance is required. See Owner's Manual.



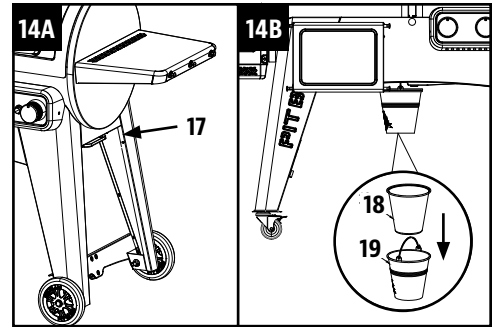
14. INSTALLING GREASE BUCKET

Parts Required:

- 1 x Grease Tray (#17)
- 1 x Grease Bucket Liner (#18)
- 1 x Grease Bucket (#19)

Installation:

- Slide the Grease Tray into the bottom of the barrel. Note illustration 14A.
- Insert the Grease Bucket Liner inside the Grease Bucket. Place the Grease Bucket on the spout hook on the underside of the grill. Ensure it is level to avoid grease spills. Note illustration 14B.



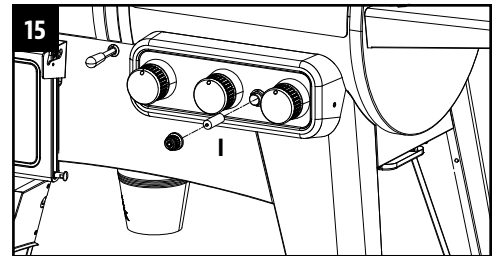
15. INSTALLING THE BATTERY

Parts Required:

- 1 x AA Battery (#1)

Installation:

- Unscrew igniter cap from the control panel. Insert Battery into battery slot with the positive end (+) facing outward. Screw the cap back onto the panel.
- The unit is now completely assembled.



16. CONNECTING TO A POWER SOURCE

NOTE: Before plugging your Pit Boss® into any electrical outlet, ensure the temperature dial is in the OFF position.

- **STANDARD OUTLET**
This appliance requires 220-240 volt, 50Hz, 250w. It must be a 3-prong grounded plug.

IMPORTANT: Disconnect unit from power source when not in use.

IMPORTANT: Refer to Owner's Manual for Operating Instructions

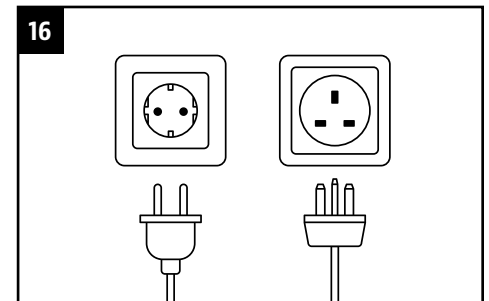


TABLE DES MATIÈRES

Pièces et spécifications	12
Préparation de l'assemblage.....	14
Instructions d'assemblage	
Montage du support du plateau à graisse.....	14
Montage du plateau à graisse sur le corps principal	15
Fixation du butoir du couvercle.....	15
Fixation des plaques de support et des roulettes pivotantes	15
Fixation des plaques de support et des roues	16
Montage de l'ensemble cadre.....	16
Montage du corps principal sur le chariot	17
Fixation du panneau du chariot au grill.....	17
Installation de la poignée du couvercle.....	17
Fixation des supports de l'étagère avant.....	18
Installation de l'étagère avant.....	18
Installation de l'étagère latérale.....	18
Installation des composants de cuisson du grill.....	19
Installation du seau à graisse	20
Installation de la batterie	20
Connexion à une source d'alimentation	20

FR

FRANÇAIS



DÉCLARATION CONCERNANT LES DROITS D'AUTEUR

Copyright 2021. Tous droits réservés. Aucune partie de ce manuel ne peut être copiée, transmise, transcrite ou stockée dans un système d'archivage, sous quelque forme ou par quelque moyen que ce soit, sans l'autorisation expresse écrite de :

DANSONS EUROPE

11 Rue Galvani Paris, France 75017

DANSONS AMÉRIQUE DU NORD

3411 North 5th Avenue, Suite 500, Phoenix, AZ, USA 85013

SERVICE CLIENTS

www.pitboss-grills.com

PIÈCES ET SPÉCIFICATIONS

FR
FRANÇAIS

N°	Description
1	Grille de cuisson supérieure en acier revêtu de porcelaine (x 2)
2	Grille de cuisson en fonte à revêtement de porcelaine (x 4)
3	Plaque coulissante du grilloir à flamme (x 1)
4	Plaque principale du grilloir à flamme (x 1)
5	Barre de réglage du grilloir à flamme (x 1)
6	Poignée de la barre de réglage du grilloir à flamme (x 1)
7	Tente de chaleur (x 3)
8	Butoir pour couvercle (x 2)
9	Poignée pour couvercle (x 2)
10	Bague de la poignée pour couvercle (x 4)
11	Assemblage corps principal/trémie (x 1)
12	Sonde de cuisson (x 2)
13	Barre de contrôle de la fumée (x 1)
14	Étagère latérale (x 1)
15	Support du plateau à graisse A (x 2)
16	Support du plateau à graisse B (x 2)
17	Plateau à graisse (x 1)
18	Récipient intérieur du seau à graisse (x 1)
19	Seau à graisse (x 1)
20	Pied de support pour roulettes/arrière (x 1)
21	Pied de support pour roulettes/avant (x 1)
22-1	Pièce de garniture pour pied de support avant gauche (x 1)
22-2	Pièce de garniture pour pied de support arrière gauche (x 1)
23	Roulettes pivotantes à frein (x 2)
24	Pied de support/arrière (x 1)
25	Pied de support/avant (x 1)
26	Roue (x 2)
27	Panneau latéral du chariot (x 2)
28	Panneau arrière du chariot (x 1)
29	Panneau avant du chariot (x 1)

N°	Description
30	Traverse en M du chariot (x 1)
31	Traverse en L du chariot (x 1)
32	Support pour étagère avant/gauche (x 1)
33	Support pour étagère avant /droit (x 1)
34	Étagère avant (x 1)
35	Pincés de câble (x1)
36	Cordon d'alimentation - Fiche F (x1)
37	Cordon d'alimentation - Fiche G (x1)
A	Vis (x 30)
B	Rondelle (x 30)
C	Rondelle de blocage (x 30)
D	Vis (x 26)
E	Rondelle (x 4)
F	Goupille cannelée pour roue (x 2)
G	Rondelle pour roue (x 2)
H	Goupille bêta pour roue (x 2)
I	Batterie AA (x 1)

EMARQUE : de par le développement continu du produit, des pièces peuvent faire l'objet de modifications sans préavis. Contactez le service clients si des pièces manquent lors de l'assemblage de l'appareil.

PB – EXIGENCES ÉLECTRIQUES
PRISE DE TERRE À 3 BROCHES DE 220-240 V, 50 Hz ET 250 W

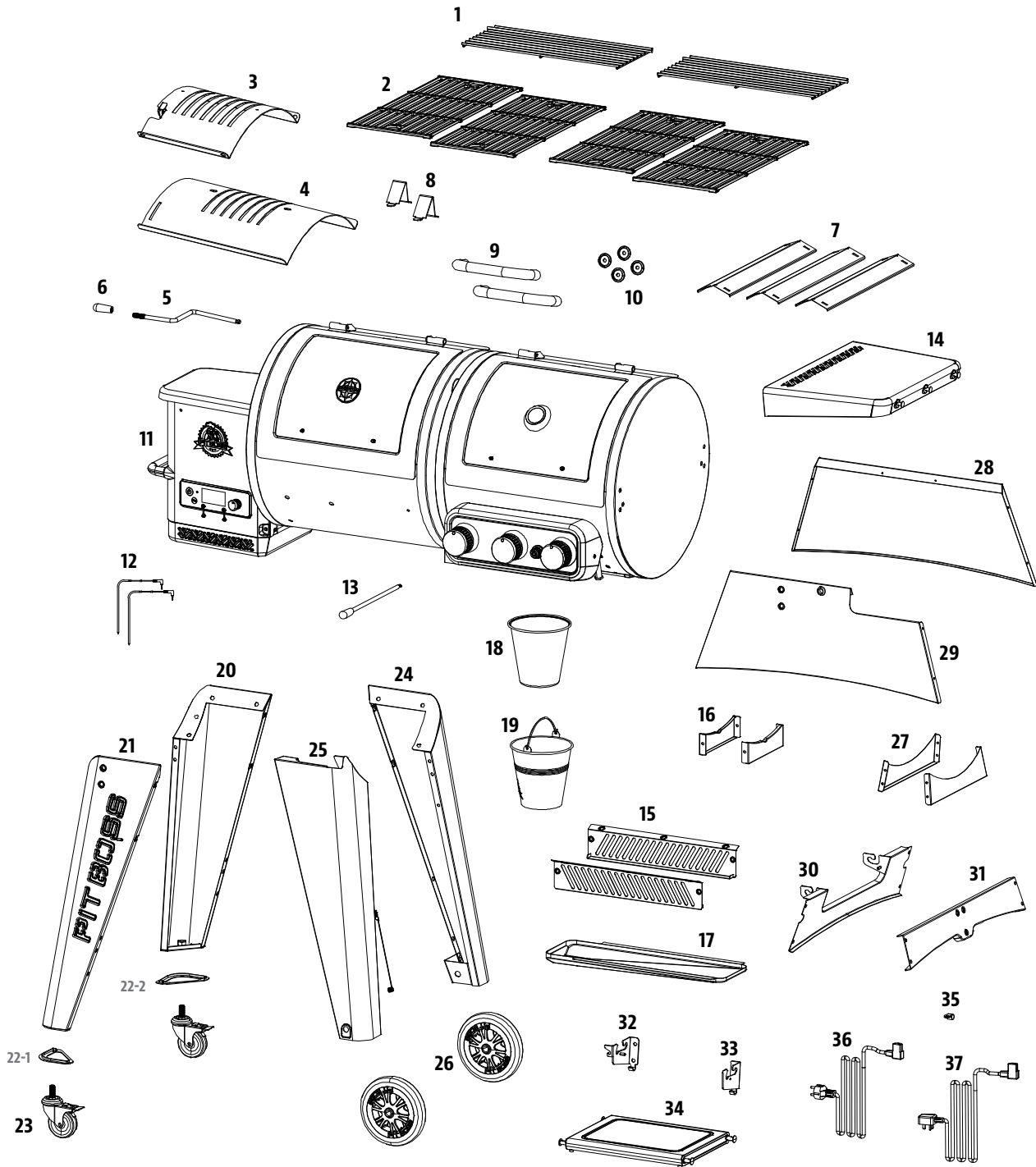
Illustration à la page suivante.

MODÈLE	APPAREIL MONTÉ (L x H x P)	POIDS DE L'APPAREIL	ZONE DE CUISSON	PLAGE DE TEMPÉRATURE	FONCTIONS NUMÉRIQUES		
PB	PB1230G	1759mm x 1195mm x 866mm / 69,2" x 47" x 34,1"	92 kg / 202,82 lb	Zone des granulés - 2580,6 cm ² / 400 po ² Grille supérieure - 1489 cm ² / 230,8 po ² TOTAL - 4069,6 cm² / 630,8 po²	Gaz principale - 2580,6 cm ² / 400 po ² Grille supérieure - 1489 cm ² / 230,8 po ² TOTAL - 4069,6 cm² / 630,8 po²	82-260°C / 180-500°F	Dix préréglages de température, cycles de démarrage et de refroidissement, allumeur électrique
			TOTAL GRIL - 8139,2 cm² / 1261,6 po²				

PIÈCES ET SPÉCIFICATIONS

FR

FRANÇAIS



A		B		C		D		E	
F		G		H		I			

PRÉPARATION DE L'ASSEMBLAGE

Les pièces se trouvent partout dans le carton d'expédition, y compris sous le gril. Inspectez le gril, les pièces et le sachet de quincaillerie après les avoir retirés du carton d'expédition. Débarrassez-vous de tous les emballages intérieurs et extérieurs du gril avant de procéder à l'assemblage, puis passez en revue et inspectez toutes les pièces en vous référant à la liste. Si une pièce manque ou est endommagée, ne procédez pas à l'assemblage. Les dégâts liés à l'envoi ne sont pas couverts par la garantie. Contactez votre revendeur ou le service clients de Pit Boss® concernant ces pièces.

www.pitboss-grills.com

IMPORTANT : pour faciliter l'installation et éviter des blessures, il est recommandé de mettre deux personnes à contribution lors de l'assemblage de l'appareil.

Outils nécessaires pour l'assemblage : un tournevis et un niveau. *Ces outils ne sont pas fournis.*



INSTRUCTIONS D'ASSEMBLAGE

IMPORTANT : nous vous conseillons de lire entièrement chaque étape avant de procéder à l'assemblage conformément aux instructions. Ne serrez pas totalement les vis avant que toutes les vis de cette étape soient installées. L'assemblage de pièces impliquant une rondelle de blocage et une rondelle doit être effectué en plaçant la rondelle de blocage le plus près possible de la tête de la vis..

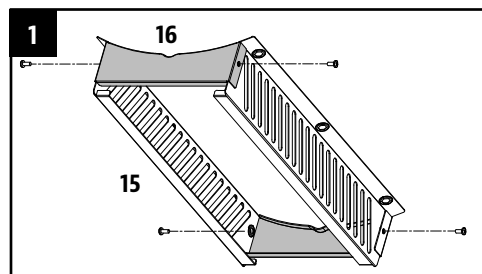
1. MONTAGE DU SUPPORT DU PLATEAU À GRAISSE

Pièces nécessaires :

- 2 x Support du plateau à graisse A (n° 15)
- 2 x Support du plateau à graisse B (n° 16)
- 4 x Vis (n° D)

Installation :

- Montez le support de plateau à graisse A sur le support de plateau à graisse B en utilisant quatre vis.



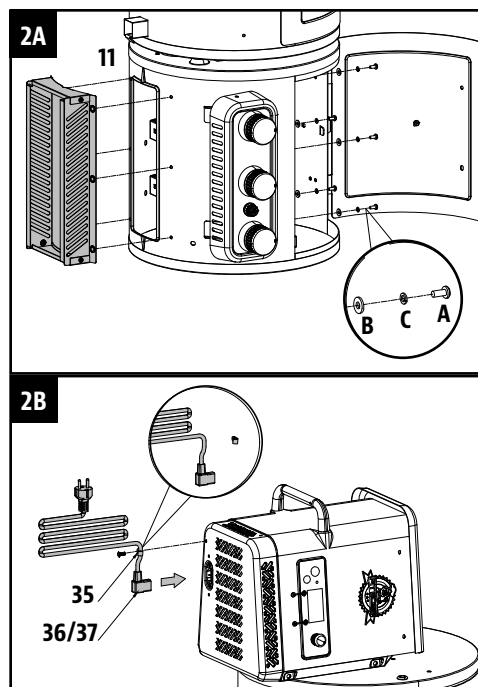
2. MONTAGE DU PLATEAU À GRAISSE SUR LE CORPS PRINCIPAL

Pièces nécessaires :

- 1 x Assemblage corps principal/trémie (n° 11)
- 6 x Vis (n° A)
- 6 x Rondelle (n° B)
- 6 x Rondelle de blocage (n° C)
- 1 x Cordon d'alimentation (n° 36/n° 37)
- 1 x Pincas de câble (n° 35)

Installation :

- Placez un bout de carton sur le sol afin d'éviter d'érafler l'appareil. Sur le carton, posez le corps principal sur le côté, avec l'extrémité de la trémie pointant vers le haut.
- Montez le support du plateau à graisse sur la partie du corps principal contre le sol à l'aide de six vis, de rondelles et de rondelles de blocage. Consultez l'illustration 2A.
- Si vous constatez que le cordon d'alimentation ne correspond pas à la prise que vous utilisez, veuillez le remplacer par le cordon d'alimentation adapté à votre pays.
- Placez les pincas de câble sur le bon cordon d'alimentation. Insérez le cordon d'alimentation dans la rainure au fond de la trémie. Fixez le serre-câble au fond de la trémie à l'aide de la vis précédemment installée. Consultez l'illustration 2B.



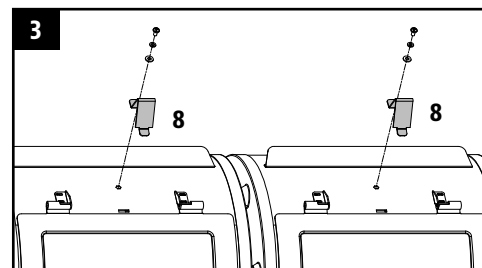
3. FIXATION DU BUTOIR DU COUVERCLE

Pièces nécessaires :

- 2 x Butoir pour couvercle (n° 8)

Installation :

- Attachez le butoir pour couvercle en haut du corps principal à l'aide des vis préinstallées qui se trouvent sur le dessus du corps principal.



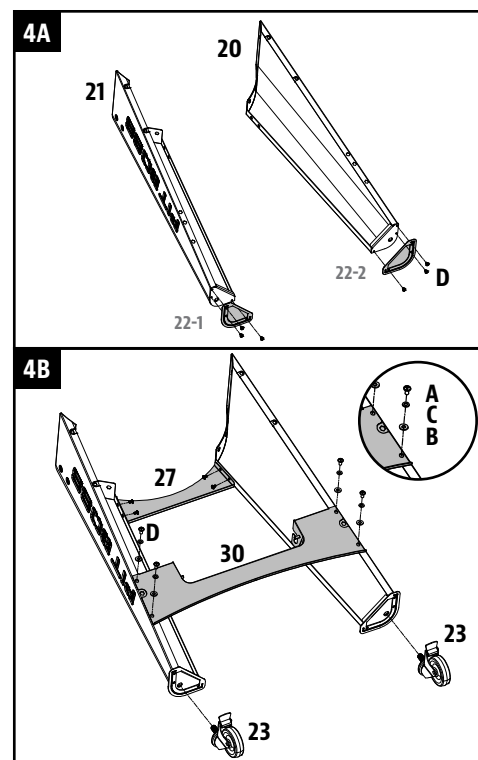
4. FIXATION DES PLAQUES DE SUPPORT ET DES ROULETTES PIVOTANTES

Pièces nécessaires :

- 1 x Pied de support pour roulettes/arrière (n° 20)
- 1 x Pied de support pour roulettes/avant (n° 21)
- 1 x Pièce de garniture pour pied de support avant gauche (n° 22-1)
- 1 x Pièce de garniture pour pied de support arrière gauche (n° 22-2)
- 1 x Panneau latéral du chariot (n° 27)
- 1 x Traverse en M du chariot (n° 30)
- 2 x Roulettes pivotantes à frein (n° 23)
- 4 x Vis (n° A)
- 4 x Rondelle (n° B)
- 4 x Rondelle de blocage (n° C)
- 10 x Vis (n° D)

Installation :

- Vissez la pièce de garniture du pied de support avant gauche au support gauche pour la roulette/avant. Vissez la pièce de garniture du pied de support arrière gauche au support gauche pour la roulette/arrière. Consultez l'illustration 4A.
- Fixez le pied de support pour roulette/avant et le pied de support pour roulette/arrière assemblés à l'étape précédente au bout du panneau latéral du



chariot avec des vis (#D). Fixez la traverse en M du chariot à la pièce assemblée à l'étape précédente avec des vis (#A), des rondelles de blocage et des rondelles. Consultez l'illustration 4B.

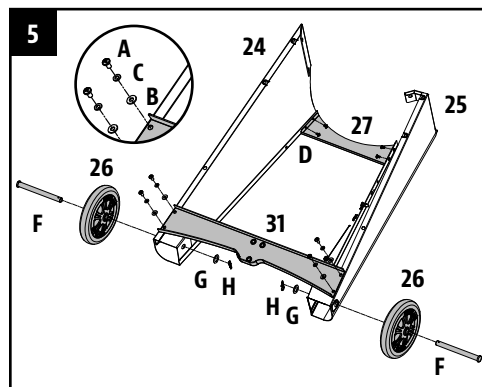
5. FIXATION DES PLAQUES DE SUPPORT ET DES ROUES

Pièces nécessaires :

- | | | |
|---|---|------------------------------------|
| 1 | x | Pied de support/arrière (n° 24) |
| 1 | x | Pied de support/avant (n° 25) |
| 2 | x | Roue (n° 26) |
| 1 | x | Panneau latéral du chariot (n° 27) |
| 1 | x | Traverse en L du chariot (n° 31) |
| 4 | x | Vis (n° A) |
| 4 | x | Rondelle (n° B) |
| 4 | x | Rondelle de blocage (n° C) |
| 4 | x | Vis (n° D) |
| 2 | x | Goupille cannelée pour roue (n° F) |
| 2 | x | Rondelle pour roue (n° G) |
| 2 | x | Goupille bêta pour roue (n° H) |

Installation :

- Fixez le pied de support/arrière et le pied de support/avant sur le panneau latéral du chariot avec des vis (#D). Fixez la traverse en L du chariot sur la pièce assemblée à l'étape précédente avec des vis (#A), des rondelles de blocage et des rondelles.
- Montez la grande roue au pied de support en insérant la goupille de l'essieu des roues à travers la roue, le pied de support, puis fixez le tout en utilisant la goupille fendue de la roue. Répétez le processus pour l'autre roue du même côté.



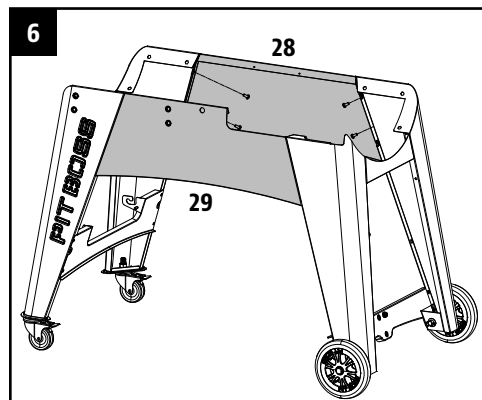
6. MONTAGE DE L'ENSEMBLE CADRE

Pièces nécessaires :

- | | | |
|---|---|------------------------------------|
| 1 | x | Panneau arrière du chariot (n° 28) |
| 1 | x | Panneau avant du chariot (n° 29) |
| 8 | x | Vis (n° D) |

Installation :

- Installez le panneau du charriot sur les deux pieds de support avant de l'appareil. Fixez-le à l'aide de deux vis de chaque côté. Assurez-vous que le côté plat de la plaque de support est orienté vers l'extérieur. Répétez la même installation sur la plaque du panneau avant du chariot sur les autres pieds de support.



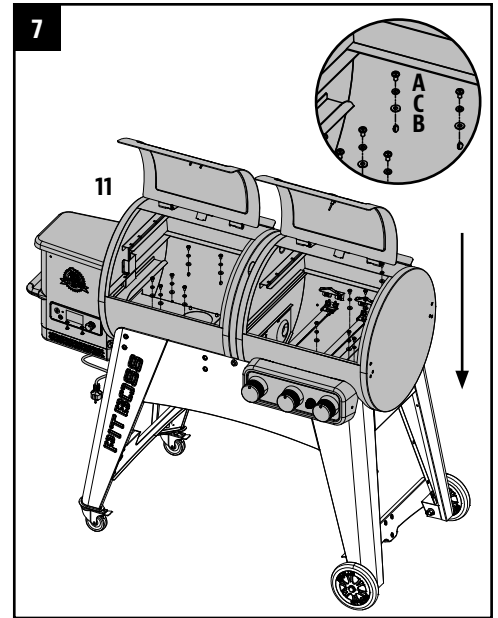
7. MONTAGE DU CORPS PRINCIPAL SUR LE CHARIOT

Pièces nécessaires :

- 1 x Assemblage corps principal/trémie (n° 11)
- 12 x Vis (n° A)
- 12 x Rondelle (n° B)
- 12 x Rondelle de blocage (n° C)

Installation :

- Préparez le corps principal à monter sur le chariot. Placez le chariot à côté du corps principal, les deux étant orientés dans la même direction. Verrouillez les roulettes du chariot. Avec l'aide d'une deuxième personne, préparez-vous à soulever le corps principal pour le placer sur le chariot. Avec une personne soulevant le corps principal à partir du côté de la trémie et l'autre personne le soulevant à partir du côté opposé, soulevez le corps principal avec précaution et descendez lentement sur le chariot. .
- Ouvrez ensuite le couvercle du corps principal. Au besoin, tournez le corps principal pour aligner ses trous de vis sur le chariot. Une fois le tout en place, fixez chaque pied au corps principal à l'aide de trois vis, de rondelles de blocage et de rondelles.



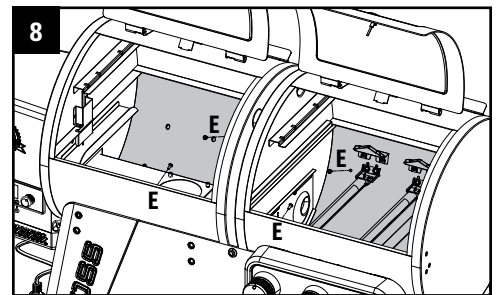
8. FIXATION DU PANNEAU DU CHARIOT AU GRIL

Pièces nécessaires :

- 4 x Vis (n° E)

Installation :

- Fixez le panneau avant/arrière du chariot au corps principal à l'aide de quatre vis.



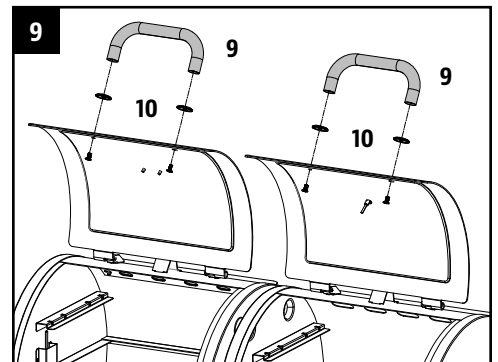
9. INSTALLATION DE LA POIGNÉE DU COUVERCLE

Pièces nécessaires :

- 2 x Poignée pour couvercle (n° 9)
- 4 x Bague de la poignée pour couvercle (n° 10)

Installation :

- Retirez les vis préinstallées de la poignée du couvercle. De l'intérieur du couvercle du corps, insérez une vis afin qu'elle dépasse de l'autre côté. Ajoutez une bague à la vis. Ajoutez une bague sur la vis, puis serrez-la à la main (de l'intérieur) dans la poignée du couvercle. Répétez l'opération pour l'autre côté.



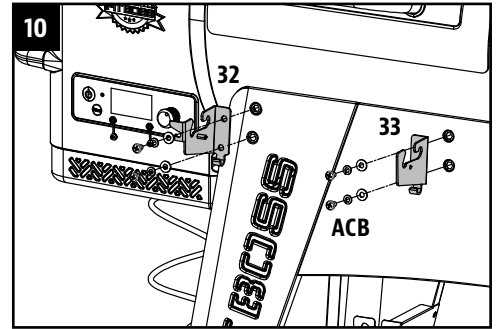
10. FIXATION DES SUPPORTS DE L'ÉTAGÈRE AVANT

Pièces nécessaires :

- 1 x Support pour étagère avant/gauche (n° 32)
- 1 x Support pour étagère avant /droit (n° 33)
- 4 x Vis (n° A)
- 4 x Rondelle (n° B)
- 4 x Rondelle de blocage (n° C)

Installation :

- Fixez un support d'étagère avant à l'avant du corps à l'aide de deux vis. Insérez chaque vis à moitié, puis serrez-les complètement lorsque les deux vis sont montées et alignées correctement. Répétez la même installation pour l'autre support d'étagère avant.



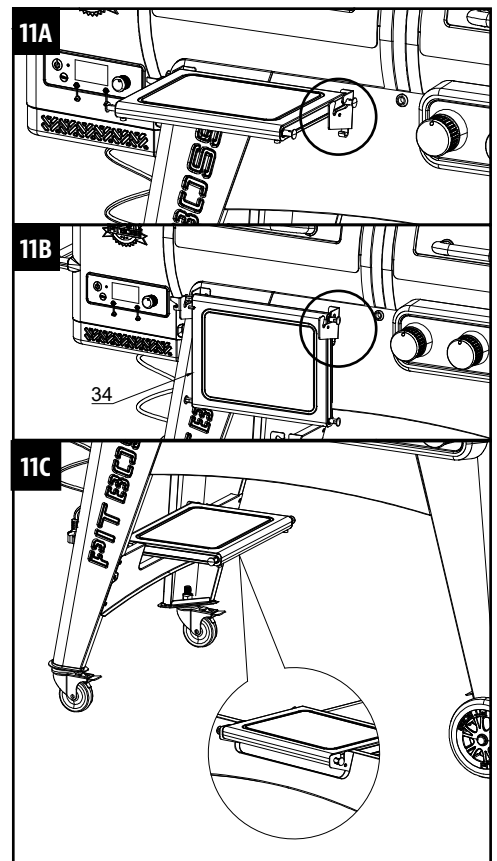
11. INSTALLATION DE L'ÉTAGÈRE AVANT

Pièces nécessaires :

- 1 x Étagère avant (n° 34)

Installation :

- Placez l'étagère avant sur les supports d'étagère avant. Reportez-vous à l'illustration 11A montrant une étagère avant dépliée.
- Reportez-vous à l'illustration 11B montrant une étagère avant pliée.
- L'étagère avant peut également être placée sur les plaques de support inférieures et être utilisée comme plateau inférieur. Consultez l'illustration 11C.



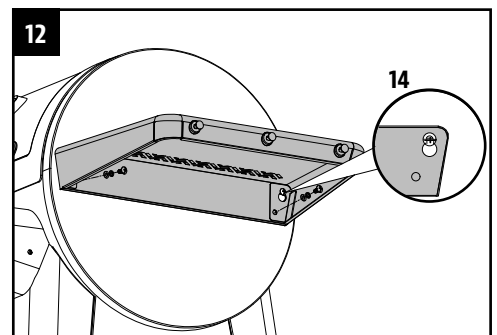
12. INSTALLATION DE L'ÉTAGÈRE LATÉRALE

Pièces nécessaires :

- 1 x Étagère latérale (n° 14)

Installation:

- Desserrez les deux vis préinstallées sur le côté du corps principal. Montez d'abord l'étagère latérale sur les vis, puis fixez les deux vis dévissées en place.
- En passant par le dessous, fixez l'étagère latérale au panneau latéral du corps principal à l'aide de deux vis, de rondelles de blocage et de rondelles.



13. INSTALLATION DES COMPOSANTS DE CUISSON DU GRIL

Pièces nécessaires :

- 1 x Plaque principale du grilloir à flamme (n° 4)
- 1 x Plaque coulissante du grilloir à flamme (n° 3)
- 1 x Barre de réglage du grilloir à flamme (n° 5)
- 1 x Poignée de la barre de réglage du grilloir à flamme (n° 6)
- 1 x Barre de contrôle de la fumée (n° 13)
- 3 x Tente de chaleur (n° 7)
- 4 x Grille de cuisson en fonte à revêtement de porcelaine (n° 2)
- 2 x Grille de cuisson supérieure en acier revêtu de porcelaine (n° 1)

Installation:

- Insérez la plaque principale du grilloir à flamme dans le gril principal. Posez la plaque principale du grilloir à flamme sur le rebord intégré (à l'intérieur à droite) du gril principal qui dirige la graisse vers le seau à graisse. Faites coulisser toute la pièce sur le côté gauche, et les deux fentes sur la plaque principale du grilloir à flamme s'ajusteront dans le rebord arrondi au-dessus du pot de combustion. Il adoptera un angle légèrement incliné vers le bas. Consultez l'illustration 13A.

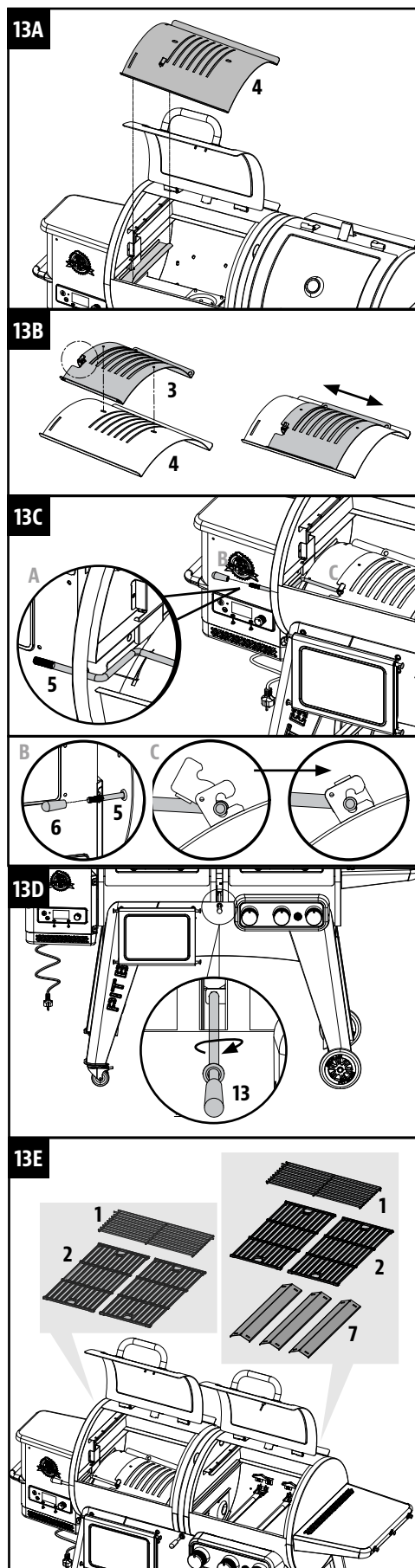
IMPORTANT : si la plaque principale repose sur la base du corps, c'est qu'elle est mal installée. Une mauvaise installation peut endommager votre appareil.

- Placez la plaque coulissante du diffuseur de chaleur au-dessus de la plaque principale du diffuseur de chaleur, recouvrant les fentes. Assurez-vous que la languette surélevée se trouve à gauche, et que les deux broches au bas de la plaque coulissante du diffuseur de chaleur se placent dans les trous de la plaque principale du diffuseur de chaleur, pour s'adapter facilement à la flamme directe et indirecte lors de la cuisson. Les deux plaques du diffuseur de chaleur sont légèrement recouvertes d'huile pour éviter l'apparition de rouille lors de l'envoi. Consultez l'illustration 13B.

REMARQUE: Lorsque le curseur du gril à flamme est ouvert et qu'une flamme directe est utilisée pendant la cuisson, ne laissez pas le gril sans surveillance pendant une période de temps.

- Insérez la barre de réglage du grilloir à flamme dans le trou situé sur le côté gauche du corps principal. Ajoutez la poignée de réglage du grilloir à flamme à l'extrémité à l'extérieur du baril. Glissez ensuite l'extrémité crantée de la barre de réglage dans la languette de verrouillage de la glissière du grilloir à flamme, ce qui vous donne un accès facile à la glissière du grilloir à flamme de la plaque principale. Consultez l'illustration 13C.
- Vissez la barre de contrôle de la fumée et serrez-la. Elle doit coulisser doucement de l'avant vers l'arrière. Consultez l'illustration 13D.
- Placez les trois tentes chauffantes sur le dessus du brûleur. Placez les grilles de cuisson, côte à côte, sur le rebord de grille à l'intérieur du gril principal. Placez la grille supérieure sur le rebord supérieur à l'intérieur du gril principal, la grille supérieure se verrouille en place. Consultez l'illustration 13E.

REMARQUE : pour conserver les performances de cuisson et de grillage de vos grilles de cuisson, une maintenance et un entretien réguliers sont nécessaires. Reportez-vous au manuel d'utilisation.



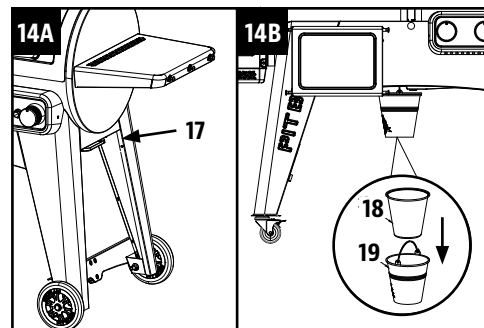
14. INSTALLATION DU SEAU À GRAISSE

Pièces nécessaires :

- 1 x Plateau à graisse (n° 17)
- 1 x Récipient intérieur du seau à graisse (n° 18)
- 1 x Seau à graisse (n° 19)

Installation:

- Glissez le plateau à graisse au bas du corps principal. Consultez l'illustration 14A.
- Insérez la doublure du seau de graisse à l'intérieur du seau de graisse. Placez le seau à graisse sur le crochet du bec verseur au bas du corps principal. Veillez à ce qu'il soit bien droit pour éviter que la graisse ne se déverse. Consultez l'illustration 14B.



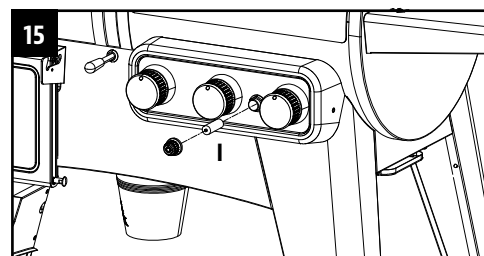
15. INSTALLATION DE LA BATTERIE

Pièces nécessaires :

- 1 x Batterie AA (n° 1)

Installation:

- Dévissez le bouchon de l'allumeur du panneau de commande. Insérez la batterie dans son logement, l'extrémité positive (+) tournée vers l'extérieur. Revissez le capuchon sur le panneau.
- L'appareil est désormais entièrement assemblé.

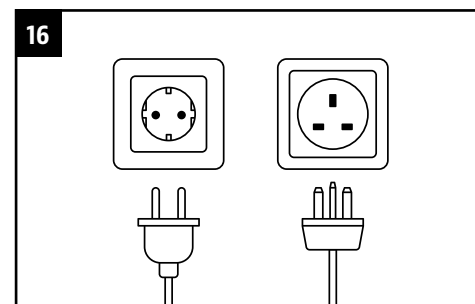


16. CONNEXION À UNE SOURCE D'ALIMENTATION

REMARQUE : avant de brancher votre Pit Boss® à une prise électrique, veillez à ce que la molette de contrôle de température soit sur la position OFF.

- **PRISE STANDARD**
Cet appareil fonctionne à 220-240 V, 50 Hz, 250 W. Il doit s'agir d'une prise de terre à 3 broches.

IMPORTANT : déconnectez l'appareil de la source d'alimentation lorsque vous ne l'utilisez pas.



IMPORTANT : consultez le manuel de l'utilisateur pour les instructions d'utilisation.

ÍNDICE

Piezas y especificaciones	22
Preparación del montaje	24
Instrucciones de montaje	
Montaje del soporte de la bandeja para grasa	24
Montaje de la bandeja de grasa al tambor principal.....	24
Instalación del tapón de la tapa	25
Sujeción de las placas de soporte y las ruedas pivotantes.....	25
Sujeción de las placas de soporte y las ruedas.....	26
Sujeción de la estructura del bastidor.....	26
Montaje del tambor principal al carro	27
Sujeción del panel del carro a la parrilla	27
Instalación del asa de la tapa	27
Sujeción de los soportes de los estantes delanteros	27
Instalación del estante delantero.....	28
Instalación del estante lateral.....	28
Instalación de los componentes de cocina a la parrilla.....	29
Instalación del recogegrasa	30
Instalación de la batería	30
Conexión a una fuente de alimentación.....	30

ES

ESPAÑOL



AVISO DE COPYRIGHT

Copyright 2021. Todos los derechos reservados. Ninguna parte de este manual podrá copiarse, transmitirse, transcribirse, almacenarse en un sistema de recuperación, de ninguna forma ni por cualquier medio sin la autorización expresa por escrito de,

DANSONS EUROPE

11 Rue Galvani Paris, France 75017

DANSONS AMÉRICA DEL NORTE

3411 North 5th Avenue, Suite 500, Phoenix, AZ, EE. UU. 85013

ATENCIÓN AL CLIENTE

www.pitboss-grills.com

PIEZAS Y ESPECIFICACIONES

ES
ESPAÑOL

N.º de referencia	Descripción
1	Bandeja para cocinar superior de acero recubierto de porcelana (x2)
2	Rejilla para cocinar de hierro forjado recubierto de porcelana (x4)
3	Guía del asador al fuego (x1)
4	Placa principal del asador al fuego (x1)
5	Regulador de la parrilla (x1)
6	Asa del regulador de la parrilla (x1)
7	Tienda de calor (x3)
8	Tapón de la tapa (x2)
9	Asa de la tapa (x2)
10	Bisel del asa de la tapa (x4)
11	Conjunto de tambor principal/tolva (x1)
12	Sonda de carne (x2)
13	Barra de ajuste del humo (x1)
14	Estante lateral (x1)
15	Soporte de la bandeja de grasa A (x2)
16	Soporte de la bandeja de grasa B (x2)
17	Bandeja de grasa (x1)
18	Contenedor interno del cubo de grasa (x1)
19	Recogegrasa (x1)
20	Pata de soporte para rueda pivotante/posterior (x1)
21	Pata de soporte para rueda pivotante/delantera (x1)
22-1	Remate de la pata de soporte delantera izquierda (x1)
22-2	Remate de la pata de soporte trasera izquierda (x1)
23	Ruedas pivotantes con freno (x2)
24	Pata de soporte/trasera (x1)
25	Pata de soporte/delantera (x1)
26	Rueda (2)
27	Panel lateral del carro (x2)
28	Panel trasero del carro (x1)

N.º de referencia	Descripción
29	Panel delantero del carro (x1)
30	Vigueta transversal del carro M (x1)
31	Vigueta transversal del carro L (x1)
32	Soporte del estante delantero, izquierdo (x1)
33	Soporte del estante delantero, derecho (x1)
34	Estante delantero (x1)
35	Sujetacables (x1)
36	Cable de alimentación: enchufe F (x1)
37	Cable de alimentación: enchufe G (x1)
A	Tornillo (x30)
B	Arandela (x30)
C	Arandela de retención (x30)
D	Tornillo (x26)
E	Arandela (x4)
F	Clavija de eje de rueda (x2)
G	Arandela de rueda (x2)
H	Clavija de rueda (x2)
I	Pila AA (x1)

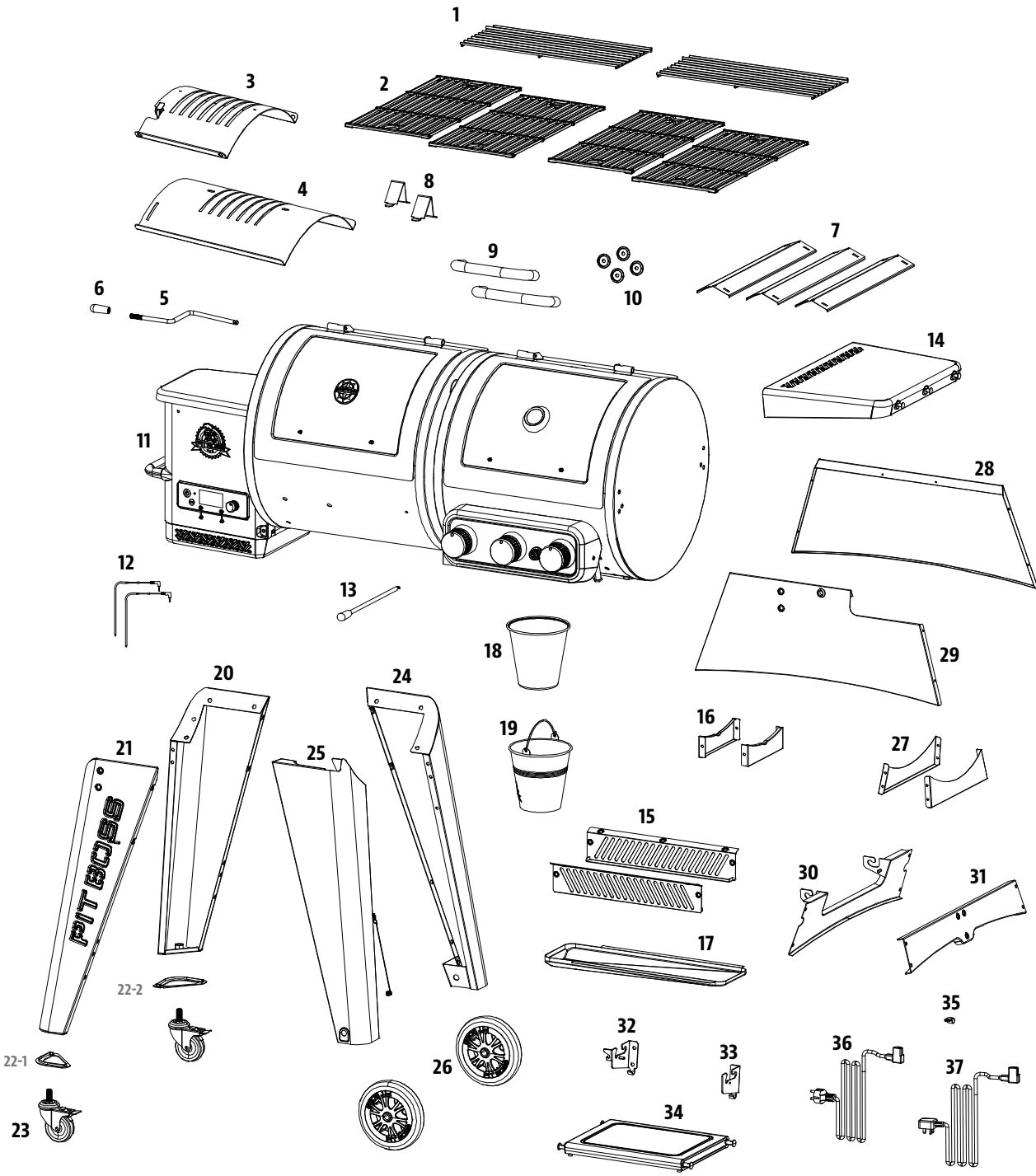
NOTA: debido a que el producto está en desarrollo constante, las piezas están sujetas a cambios sin previo aviso. Póngase en contacto con el equipo de Atención al Cliente si durante el montaje de la unidad observa que falta alguna pieza.

PB – REQUISITOS ELÉCTRICOS
ENCHUFE DE 3 CLAVIJAS CON CONEXIÓN A TIERRA DE
220-240 V, 50 Hz, 250 W

Ilustración en la página siguiente.

MODELO	UNIDAD MONTADA (AxAxP)	PESO DE LA UNIDAD	ÁREA DE COCINA		RANGO DE TEMP.	CARACTERÍSTICAS DIGITALES	
PB	PB1230G	1,759mm x 1,195mm x 866mm / 69,2" x 47" x 34,1"	92 kg / 202,82 lb	<i>Gránulo principal</i> - 2580,6 cm ² / 400 in ² <i>Bandeja superior</i> - 1489 cm ² / 230,8 in ² TOTAL - 4069,6 cm² / 630,8 in²	<i>Gas principal</i> - 2580,6 cm ² / 400 in ² <i>Bandeja superior</i> - 1489 cm ² / 230,8 in ² TOTAL - 4069,6 cm² / 630,8 in²	82-260°C / 180-500°F	Diez preajustes de temperatura, ciclos de arranque y enfriamiento, sistema de ignición eléctrica
				TOTAL PARRILLA - 8139,2 cm² / 1261,6 in²			

PIEZAS Y ESPECIFICACIONES



A		B		C		D		E	
F		G		H		I			

ES
ESPAÑOL

PREPARACIÓN DEL MONTAJE

Las piezas están incluidas en el embalaje de envío, incluso debajo de la parrilla. Inspeccione las piezas, de la parrilla, y en el blíster del equipo una vez retirado el embalaje de envío protector. Tire todos los materiales de embalaje dentro y fuera de la barbacoa antes de proceder al montaje, y revise e inspeccione todas las piezas cotejándolas con la lista de piezas. Si alguna pieza falta o está dañada, no intente realizar el montaje. Los daños causados por el envío no está cubierto por la garantía. Póngase en contacto con su distribuidor o con la Atención al cliente de Pit Boss para piezas.

www.pitboss-grills.com

IMPORTANTE: para facilitar la instalación, el uso de dos personas es útil (pero no necesario) a la hora de montar esta unidad.

Herramientas necesarias para el montaje: destornillador y nivel. *No se incluyen herramientas.*



INSTRUCCIONES DE MONTAJE

IMPORTANTE: se aconseja leer cada paso en su totalidad antes de comenzar el montaje según las instrucciones. No apriete los tornillos por completo hasta que no se hayan instalado todos los tornillos de ese paso. La combinación de cerrajería compuesta por una arandela de retención y una arandela debe instalarse con la arandela de retención más cerca del tornillo.

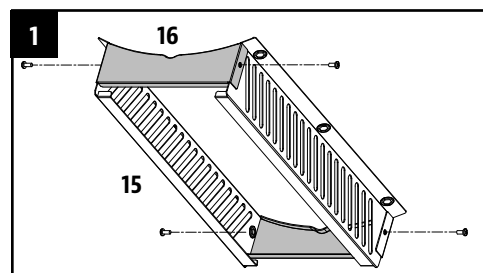
1. MONTAJE DEL SOPORTE DE LA BANDEJA PARA GRASA

Piezas necesarias:

- 2 x Soporte de la bandeja de grasa A (#15)
- 2 x Soporte de la bandeja de grasa B (#16)
- 4 x Tornillo (#D)

Instalación:

- Monte el soporte A de la bandeja de grasa con el soporte B utilizando cuatro tornillos.



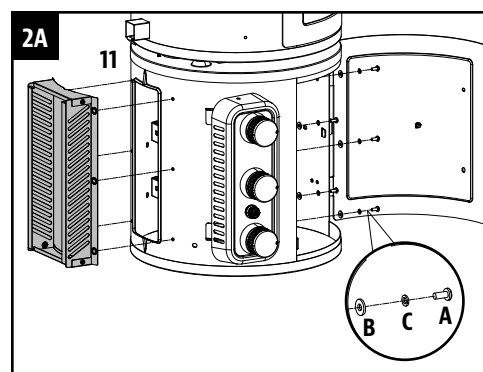
2. MONTAJE DE LA BANDEJA DE GRASA AL TAMBOR PRINCIPAL

Piezas necesarias:

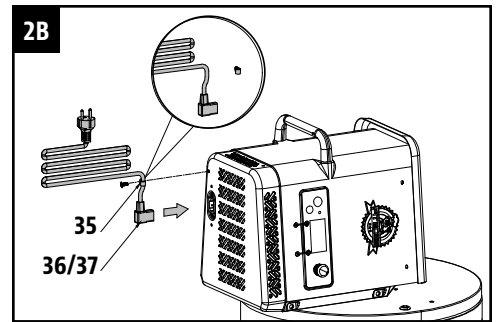
- 1 x Conjunto de tambor principal/tolva (#11)
- 6 x Tornillo (#A)
- 6 x Arandela (#B)
- 6 x Arandela de retención (#C)
- 1 x Cable de alimentación (#36/ #37)
- 1 x Sujetacables (#35)

Instalación:

- Coloque un trozo de cartón plano en el suelo para evitar los arañazos en la unidad. Coloque el tambor principal de costado sobre el cartón, con el extremo de la tolva hacia arriba.
- Monte el soporte de la bandeja de grasa en el extremo del tambor principal que queda cerca del suelo con seis tornillos, arandelas y arandelas de retención. Consulte la ilustración 2A.



- Si observa que el cable de alimentación no coincide con el que está utilizando, sustitúyalo por el cable correcto para su país.
- Coloque el sujetacables en el cable de alimentación correcto. Inserte el cable de alimentación en la ranura de la parte inferior de la tolva. Fije el sujetacables a la parte inferior de la tolva con el tornillo instalado anteriormente. Consulte la ilustración 2B.



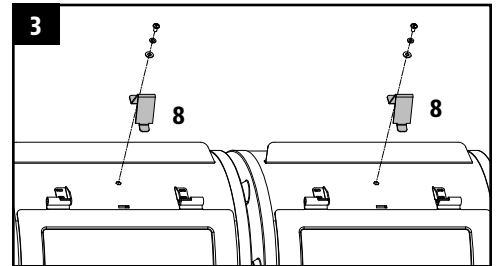
3. INSTALACIÓN DEL TAPÓN DE LA TAPA

Piezas necesarias:

- 2 x Tapón de la tapa (#8)

Instalación:

- Fije el tapón de la tapa encima del tambor principal utilizando el tornillo preinstalado en la parte superior del tambor principal.



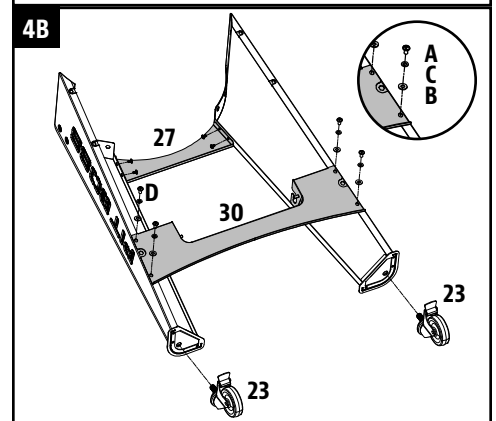
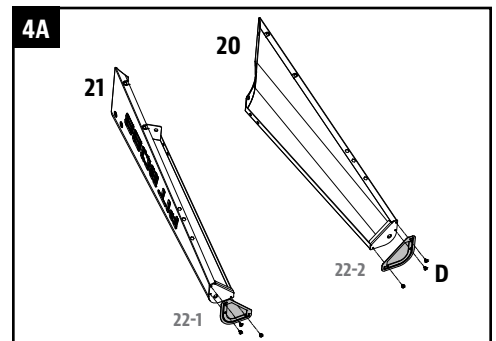
4. SUJECCIÓN DE LAS PLACAS DE SOPORTE Y LAS RUEDAS PIVOTANTES

Piezas necesarias:

- 1 x Pata de soporte para rueda pivotante/posterior (#20)
- 1 x Pata de soporte para rueda pivotante/delantera (#21)
- 1 x Remate de la pata de soporte delantera izquierda (#22-1)
- 1 x Remate de la pata de soporte trasera izquierda (#22-2)
- 1 x Panel lateral del carro (#27)
- 1 x Vigüeta transversal del carro M (#30)
- 2 x Ruedas pivotantes con freno (#23)
- 4 x Tornillo (#A)
- 4 x Arandela (#B)
- 4 x Arandela de retención (#C)
- 10 x Tornillo (#D)

Instalación:

- Atornille la pieza de remate de la pata de soporte frontal izquierda para que sostenga el lado izquierdo de la rueda pivotante frontal. Atornille la pieza de remate de la pata de soporte trasera izquierda para que sostenga el lado izquierdo de la rueda pivotante trasera. Consulte la ilustración 4A.
- Sujete la pata de soporte para la rueda pivotante frontal y la pata de soporte para la rueda pivotante trasera que ha montado en el paso anterior con la conexión del panel lateral del carro mediante tornillos (#D). Sujete la vigüeta transversal M del carro a la estructura montada en el paso anterior con tornillos (#A), arandelas y arandelas de retención. Consulte la ilustración 4B.



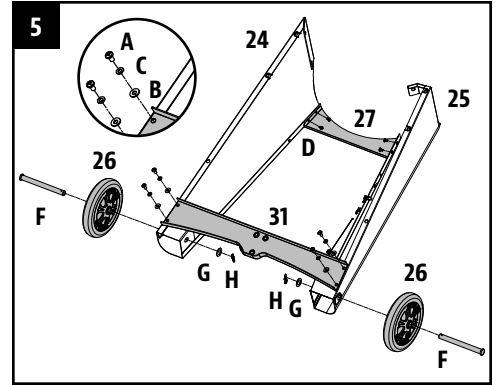
5. SUJECIÓN DE LAS PLACAS DE SOPORTE Y LAS RUEDAS

Piezas necesarias:

- 1 x Pata de soporte/trasera (#24)
- 1 x Pata de soporte/delantera (#25)
- 2 x Rueda (#26)
- 1 x Panel lateral del carro (#27)
- 1 x Vigueta transversal del carro L (#31)
- 4 x Tornillo (#A)
- 4 x Arandela (#B)
- 4 x Arandela de retención (#C)
- 4 x Tornillo (#D)
- 2 x Clavija de eje de rueda (#F)
- 2 x Arandela de rueda (#G)
- 2 x Clavija de rueda (#H)

Instalación:

- Sujete la pata de soporte trasera y la pata de soporte delantera al panel lateral del carro con tornillos (#D). Sujete la vigueta transversal L del carro a la estructura montada en el paso anterior con tornillos (#A), arandelas y arandelas de retención.
- Monte la rueda grande a la pata de soporte insertando la clavija de eje de la rueda a través de la rueda y el orificio de la pata, y sujetándola con la clavija de la rueda. Repita la instalación para la otra rueda del mismo lado.



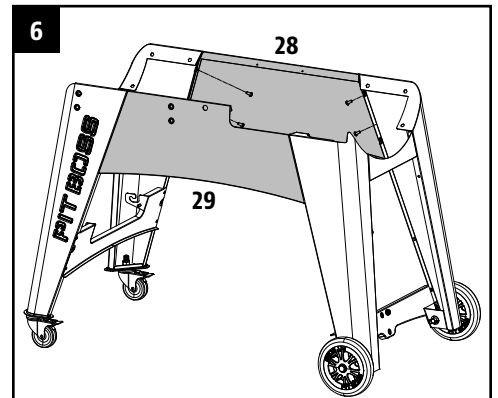
6. SUJECIÓN DE LA ESTRUCTURA DEL BASTIDOR

Piezas necesarias:

- 1 x Panel trasero del carro (#28)
- 1 x Panel delantero del carro (#29)
- 8 x Tornillo (#D)

Instalación:

- Instale el panel posterior del carro en las dos patas de soporte delanteras de la unidad. Sujételo con dos tornillos en cada lado. Asegúrese de que la superficie plana de la placa de soporte mire hacia fuera. Repita la misma instalación con la placa del panel delantero del carro con las otras patas de soporte.



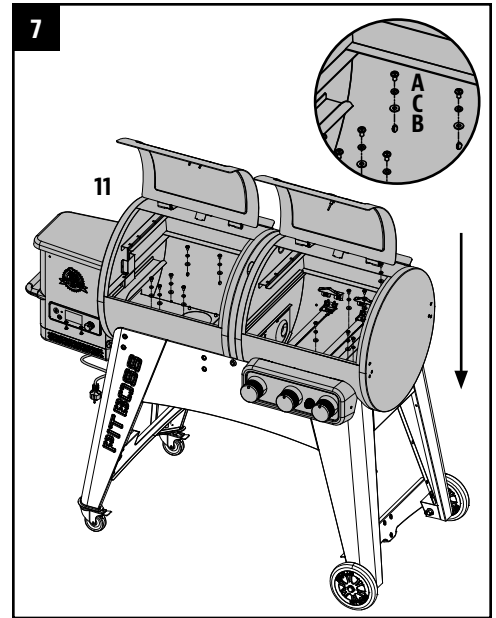
7. MONTAJE DEL TAMBOR PRINCIPAL AL CARRO

Piezas necesarias:

- 1 x Conjunto de tambor principal/tolva (#11)
- 12 x Tornillo (#A)
- 12 x Arandela (#B)
- 12 x Arandela de retención (#C)

Instalación:

- Prepare el tambor principal para montarlo en el carro. Coloque el carro junto al tambor principal con ambas cosas mirando en la misma dirección. Bloquee las ruedas pivotantes del carro. Con la ayuda de una segunda persona, prepárese para levantar el tambor principal sobre el carro. Con una persona levantándolo por el lado de la tolva y la otra por el extremo opuesto, levante el tambor principal con cuidado y bájelo lentamente sobre el carro.
- A continuación, abra la tapa del tambor principal. Ajuste la rotación según sea necesario para alinear los agujeros de los tornillos del tambor principal con los del carro. Después de colocarlo, sujete cada pata al tambor principal con tres tornillos, arandelas y arandelas de retención.



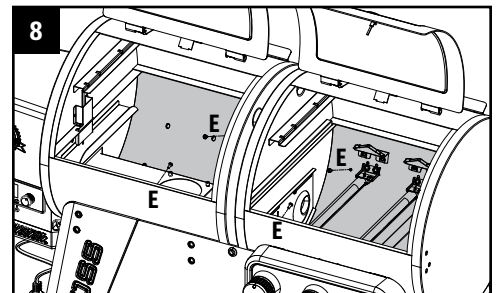
8. SUJECIÓN DEL PANEL DEL CARRO A LA PARRILLA

Piezas necesarias:

- 4 x Tornillo (#E)

Instalación:

- Sujete el panel delantero/trasero del carro al tambor con cuatro tornillos.



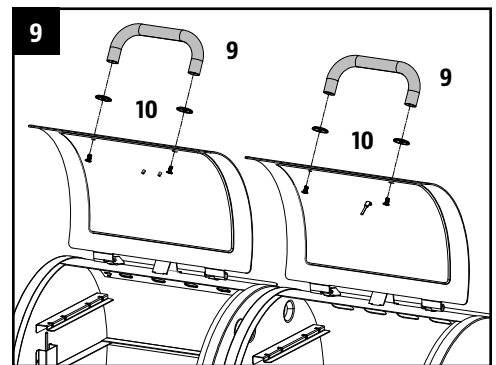
9. INSTALACIÓN DEL ASA DE LA TAPA

Piezas necesarias:

- 2 x Asa de la tapa (#9)
- 4 x Bisel del asa de la tapa (#10)

Instalación:

- Quite los tornillos preinstalados del asa de la tapa. Desde dentro de la tapa del tambor, inserte un tornillo hasta que sobresalga hacia el exterior. Añada un remate al tornillo. A continuación, apriete el tornillo a mano (desde dentro) en el asa de la tapa. Repítalo para el otro lado.



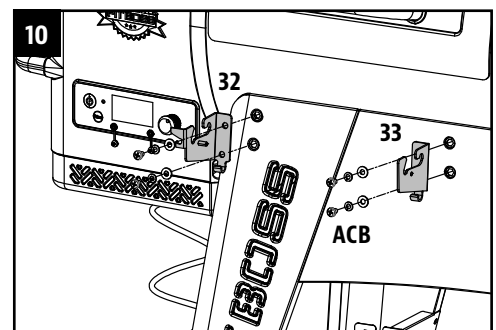
10. SUJECIÓN DE LOS SOPORTES DE LOS ESTANTES DELANTEROS

Piezas necesarias:

- 1 x Soporte del estante delantero, izquierdo (#32)
- 1 x Soporte del estante delantero, derecho (#33)
- 4 x Tornillo (#A)
- 4 x Arandela (#B)
- 4 x Arandela de retención (#C)

Instalación:

- Sujete un soporte del estante delantero a la parte delantera del tambor de la parrilla con dos tornillos. Instale cada tornillo hasta la mitad y, a continuación,



apriételos completamente cuando estén bien montados y alineados. Repita la misma instalación con el otro soporte del estante delantero.

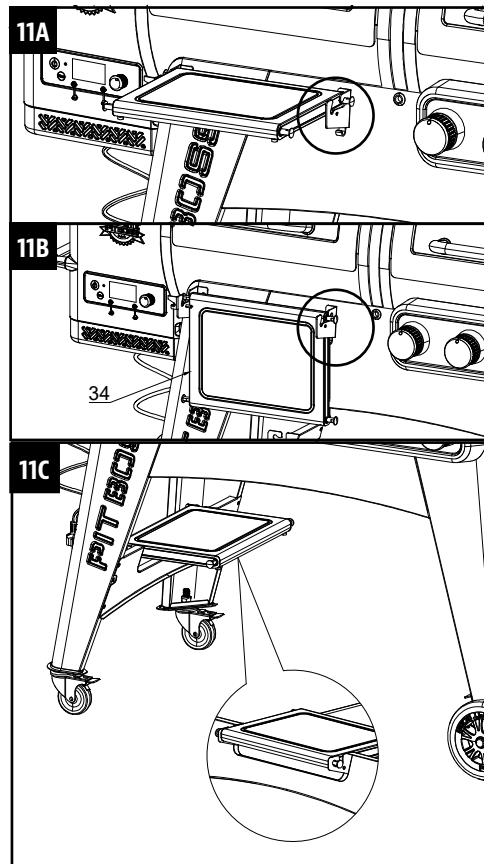
11. INSTALACIÓN DEL ESTANTE DELANTERO

Piezas necesarias:

1 x Estante delantero (#34)

Instalación:

- Coloque el estante delantero en los soportes para el estante delantero. Vea el estante delantero desplegado en la ilustración 11A.
- Vea el estante delantero plegado en la ilustración 11B.
- También es posible colocar el estante delantero en las placas de soporte inferiores y utilizarlo como placa inferior. Consulte la ilustración 11C.



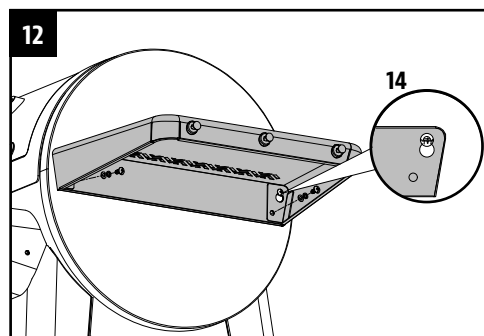
12. INSTALACIÓN DEL ESTANTE LATERAL

Piezas necesarias:

1 x Estante lateral (#14)

Instalación:

- Afloje los dos tornillos preinstalados del lado del tambor principal. Enganche el estante lateral sobre los tornillos en primer lugar y, a continuación, apriete los dos tornillos previamente aflojados en su lugar.
- Desde la parte inferior, sujete el estante lateral al panel lateral del tambor principal utilizando dos tornillos, arandelas de retención y arandelas.



13. INSTALACIÓN DE LOS COMPONENTES DE COCINA A LA PARRILLA

Piezas necesarias:

- 1 x Placa principal del asador al fuego (#4)
- 1 x Guía del asador al fuego (#3)
- 1 x Regulador de la parrilla (#5)
- 1 x Asa del regulador de la parrilla (#6)
- 1 x Barra de ajuste del humo (#13)
- 3 x Tienda de calor (#7)
- 4 x Rejilla para cocinar de hierro forjado recubierto de porcelana (#2)
- 2 x Bandeja para cocinar superior de acero recubierto de porcelana (#1)

Instalación:

- Inserte la placa principal del asador al fuego en la parrilla principal. Apoye la placa principal del asador al fuego en el saliente integrado (lado derecho interior) de la parrilla principal que dirige la grasa hacia la boquilla del recogegrasa. Deslice toda la pieza hacia la izquierda y las dos ranuras de la placa principal del asador de fuego encajarán en el saliente redondeado encima de la chimenea. Se inclinará ligeramente hacia abajo. Consulte la ilustración 13A.

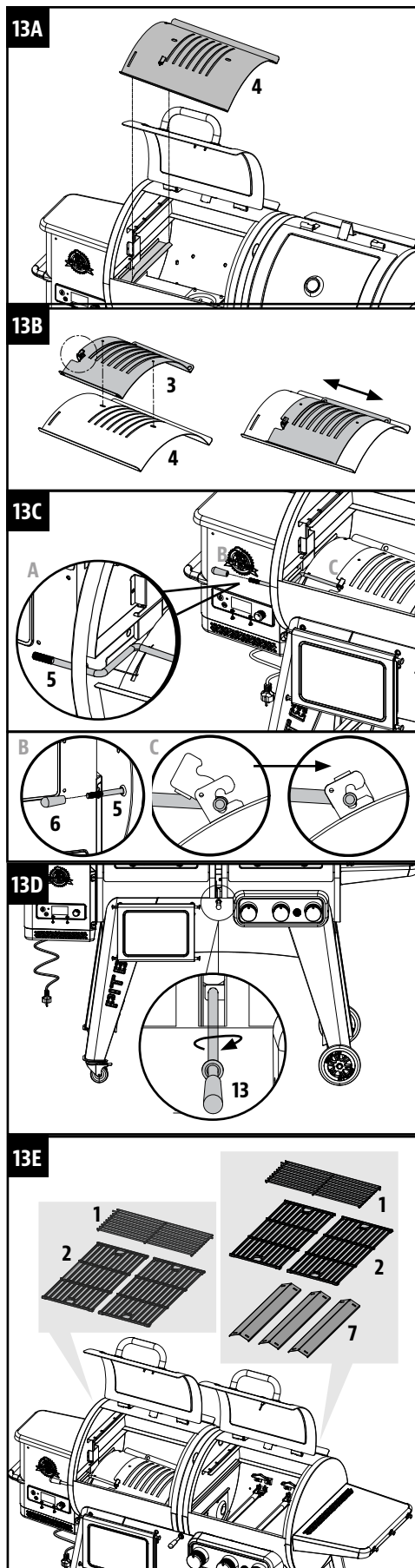
IMPORTANTE: si la placa principal está apoyada en la base del tambor, está instalada incorrectamente. Una instalación incorrecta puede provocar daños en el tambor principal de la parrilla.

- Coloque la guía del asador de fuego encima de la placa principal del asador de fuego, cubriendo las aperturas ranuradas. Asegúrese de que la pestaña levantada está a la izquierda y que las dos clavijas de la parte inferior de la guía de la parrilla encajan en los orificios de la placa principal de la parrilla para ajustarla fácilmente a las llamas directas e indirectas durante el asado. **NOTA:** las piezas de la parrilla llevan una fina capa de aceite para evitar la corrosión durante el envío. Consulte la ilustración 13B

NOTA: Cuando el control deslizante del asador de llama está abierto y se usa una llama directa mientras se cocina, no deje la parrilla desatendida por ningún período de tiempo.

- Inserte la barra de ajuste del asador a la llama a través del agujero de apertura del lado izquierdo del tambor principal. Añada el asa de la barra de ajuste del asador a la llama en el extremo que queda fuera del tambor. A continuación, deslice el extremo de la barra de ajuste que tiene una muesca en la pestaña de bloqueo del control deslizante del asador al fuego, lo cual le permite acceder de forma ajustable al control deslizante del asador al fuego de la placa principal. Consulte la ilustración 13C.
- Atornille la barra de ajuste del humo y apriétela. Debería deslizarse hacia la parte delantera y la trasera con suavidad. Consulte la ilustración 13D.
- Coloque las tres tiendas de calor en la parte superior del quemador. Coloque las rejillas para cocinar, una al lado de la otra, sobre el saliente de la rejilla dentro de la parrilla principal. Coloque la bandeja para cocinar superior en el saliente superior de dentro de la parrilla principal. La bandeja para cocinar quedará encajada en su lugar. Consulte la ilustración 13E.

NOTA: para mantener óptima la capacidad de dorar y asar de las rejillas para cocinar, se requiere un cuidado y mantenimiento periódico. Consulte el manual del propietario.



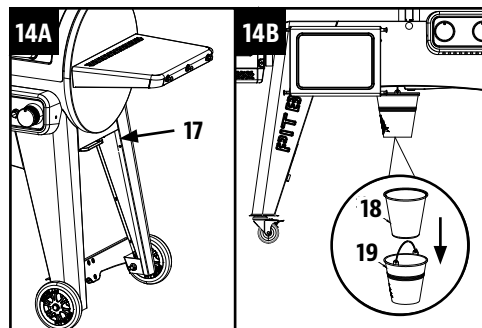
14. INSTALACIÓN DEL RECOGEGRASA

Piezas necesarias:

- 1 x Bandeja de grasa (#17)
- 1 x Contenedor interno del cubo de grasa (#18)
- 1 x Recoge-grasa (#19)

Instalación:

- Deslice la bandeja de grasa en la parte inferior del tambor principal. Consulte la ilustración 14A.
- Inserte el revestimiento del cubo de grasa dentro del cubo de grasa. Coloque el recoge-grasa en el gancho de la boquilla de la parte inferior del tambor principal. Asegúrese de que esté nivelado para evitar el derramamiento de grasa. Consulte la ilustración 14B.



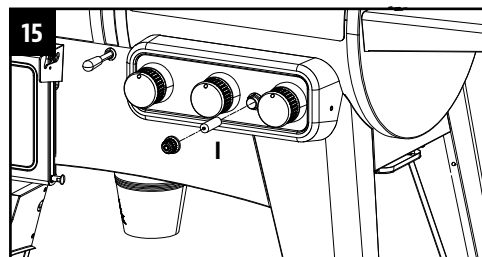
15. INSTALACIÓN DE LA BATERÍA

Piezas necesarias:

- 1 x AA Battery (#1)

Instalación:

- Desenrosque la tapa del encendedor del panel de control. Inserte la batería en la ranura de la batería con el extremo positivo (+) hacia afuera. Atornille la tapa nuevamente en el panel.
- La unidad está montada por completo.



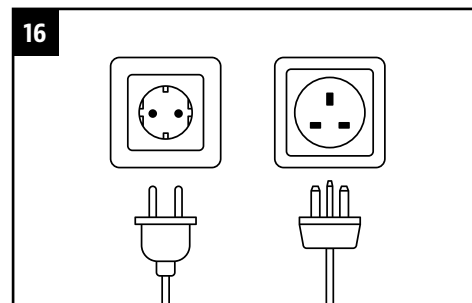
16. CONEXIÓN A UNA FUENTE DE ALIMENTACIÓN

NOTA: antes de enchufar la barbacoa Pit Boss® en cualquier toma eléctrica, asegúrese de que el dial de control de la temperatura esté en la posición OFF (Apagado).

TOMA ESTÁNDAR

Este aparato requiere un suministro de 220 - 240 V, 50 Hz, 250 W. El enchufe debe ser con conexión a tierra y de 3 clavijas.

IMPORTANTE: desconecte la unidad de la fuente de alimentación cuando no esté en uso.



IMPORTANTE: consulte las instrucciones de uso en el Manual del propietario

INHALTSVERZEICHNIS

Teile und technische Hinweise	32
Montagevorbereitung	34
Montageanleitung	
Halterung der Fettwanne montieren	34
Fettwanne am Hauptfass anbringen.....	34
Deckelstopper montieren.....	35
Stützplatten und Lenkräder befestigen	35
Stützplatten und Räder befestigen	36
Rahmenbaugruppe befestigen	36
Hauptfass am Wagen anbringen.....	37
Wagentafel am Grill befestigen.....	37
Deckelgriff montieren.....	37
Vordere Ablagenhalterung befestigen.....	38
Vordere Ablage montieren.....	38
Seitliche Ablage montieren.....	38
Garkomponenten des Grills montieren.....	39
Fetteimer montieren	40
Batterie montieren	40
Anschluss an eine Stromquelle.....	40

DE

DEUTSCHE



HINWEISE ZUM COPYRIGHT

Copyright 2021. Alle Rechte vorbehalten. Kein Teil dieser Anleitung darf in keiner erdenklichen Form oder Weise kopiert, übertragen, transkribiert oder in einem Datenabfragesystem gespeichert werden, ohne die ausdrückliche schriftliche Zustimmung von

DANSONS EUROPA

11 Rue Galvani Paris, Frankreich 75017

DANSONS NORDAMERIKA

3411 North 5th Avenue, Suite 500, Phoenix, AZ, USA 85013

KUNDENDIENST

www.pitboss-grills.com

TEILE UND TECHNISCHE HINWEISE

Teile-nummer	Beschreibung
1	Porzellanemailliertes oberes Gargitter aus Stahl (x2)
2	Porzellanemaillierter Garrost aus Gusseisen (x4)
3	Feuerpfannenschieber (x1)
4	Feuerpfannenhauptblech (x1)
5	Einstellstange für den Bratrost (x1)
6	Einstellstangenhalter für den Bratrost (x1)
7	Hitzzelt (x3)
8	Deckelstopper (x2)
9	Deckelgriff (x2)
10	Deckelgriff Halterung (x4)
11	Hauptfass-/Pelletkammer-Einheit (x1)
12	Fleischtemperaturfühler (x2)
13	Rauch-Einstellstange (x1)
14	Seitliche Ablage (x1)
15	Halterung der Fettwanne A (x2)
16	Halterung der Fettwanne B (x2)
17	Fettwanne (x1)
18	Innenbehälter des Fetteimers (x1)
19	Fetteimer (x1)
20	Stützfuß für Rolle / Rückseite (x1)
21	Stützfuß für Rolle / Vorderseite (x1)
22-1	Verkleidungsstück Stützfuß vorn links (x1)
22-2	Verkleidungsstück Stützfuß hinten links (x1)
23	Rollenarretierung (x2)
24	Stützfuß / Rückseite (x1)
25	Stützfuß / Vorderseite (x1)
26	Rad (x2)
27	Seitliche Wagentafel (x2)
28	Hintere Wagentafel (x1)
29	Vordere Wagentafel (x1)

Teile-nummer	Beschreibung
30	Querträger Wagen M (x1)
31	Querträger Wagen L (x1)
32	Vordere Ablagenhalterung /L (x1)
33	Vordere Ablagenhalterung /R (x1)
34	Vordere Ablage (x1)
35	Kabelklemmen (x1)
36	Netzkabel - F-Stecker (x1)
37	Netzkabel - G-Stecker (x1)
A	Schraube (x30)
B	Unterlegscheibe (x30)
C	Federring (x30)
D	Schraube (x26)
E	Unterlegscheibe (x4)
F	Bolzen (x2)
G	Radunterlegscheiben (x2)
H	Radsplint (x2)
I	AA-Batterie (x1)

HINWEIS: Aufgrund der kontinuierlichen Produktweiterentwicklung können Teile ohne Ankündigung geändert werden. Wenden Sie sich an den Kundenservice, falls bei der Montage des Geräts Teile fehlen sollten.

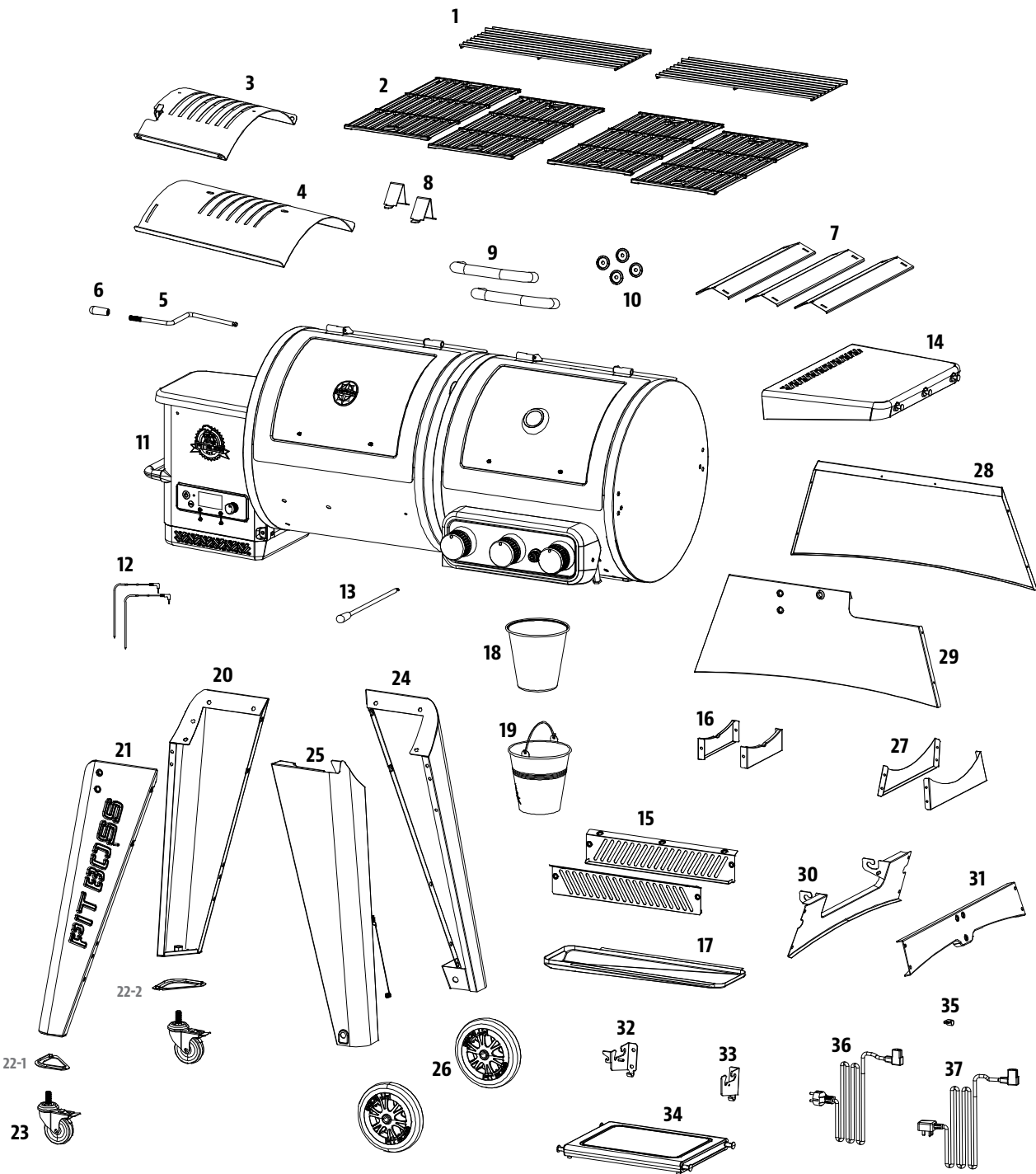
PB – ELEKTRISCHE ANFORDERUNGEN

220-240 V, 50 Hz, 250 W, STECKER MIT 3 STIFTEN

Diagrammdarstellung auf der nächsten Seite.

MODELL	ZUSAMMENGEBAUTE EINHEIT (BxHxT)	GEWICHT DER EINHEIT	GARFLÄCHE		TEMPERATURBEREICH	DIGITALE FUNKTIONALITÄTEN
PB PB1230G	1,759mm x 1,195mm x 866mm / 69,2" x 47" x 34,1"	92 kg / 202,82 lb	Hauptpellet- 2580,6 cm ² / 400 sq. in. Oberes Gitter- 1489 cm ² / 230,8 sq. in. GESAMT - 4069,6 cm² / 630,8 sq. in.	Hauptgas- 2580,6 cm ² / 400 sq. in. Oberes Gitter - 1489 cm ² / 230,8 sq. in. GESAMT- 4069,6 cm² / 630,8 sq. in.	82-260°C / 180-500°F	Zehn Temperaturstufen, Startzyklus, elektrischer Anzünder
			GESAMT GRILL - 8139,2 cm² / 1261,6 sq. in.			

TEILE UND TECHNISCHE HINWEISE



A		B		C		D		E	
F		G		H		I			

DE
DEUTSCHE

MONTAGEVORBEREITUNG

Die Teile sind im gesamten Versandkarton verteilt, auch unter dem Grill. Überprüfen Sie den Grill, die Teile und die Blisterverpackung um die Metallteile, nachdem Sie diese aus dem schützenden Versandkarton genommen haben. Entfernen Sie vor der Montage alle Verpackungsmaterialien von der Innenseite und Außenseite des Grills, überprüfen Sie dann alle Teile und inspizieren Sie diese anhand der Stückliste. Falls Teile fehlen oder beschädigt sind, versuchen Sie nicht, den Grill zusammenzubauen. Transportschäden werden nicht von der Garantie abgedeckt. Ersatzteile erhalten Sie bei Ihrem Händler oder dem Pit Boss® Kundendienst.

www.pitboss-grills.com

WICHTIG: Um die Montage zu vereinfachen, ist es hilfreich (aber nicht notwendig), das Gerät mit zwei Personen zusammenzubauen.

Für die Montage erforderliche Werkzeuge: Schraubenzieher und Wasserwaage. *Werkzeuge sind nicht enthalten.*



MONTAGEANLEITUNG

WICHTIG: Wir empfehlen, jeden Schritt sorgfältig durchzulesen, bevor Sie mit der Montage beginnen. Achten Sie darauf, die Schrauben nicht zu fest zu ziehen, bevor alle Schrauben, die für diesen Schritt erforderlich sind, montiert wurden. Die Verbindung aus Sicherungsscheibe und Unterlegscheibe sollte so installiert werden, dass die Sicherungsscheibe dem Schraubenkopf am nächsten ist.

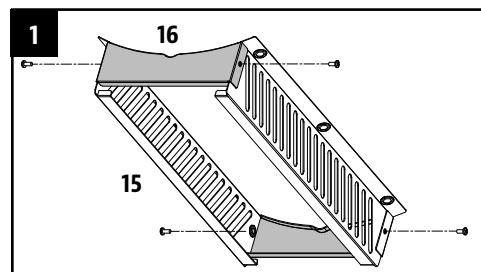
1. HALTERUNG DER FETTWANNE MONTIEREN

Erforderliche Teile:

- 2 x Halterung der Fettwanne A (#15)
- 2 x Halterung der Fettwanne B (#16)
- 4 x Schraube (#D)

Montage:

- Befestigen Sie die Halterung der Fettpfanne A mit vier Schrauben an der Halterung der Fettpfanne B.



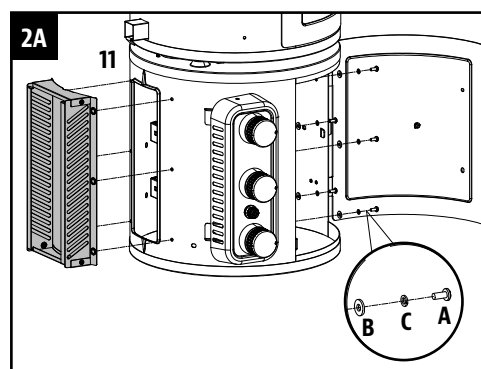
2. FETTWANNE AM HAUPTFASS ANBRINGEN

Erforderliche Teile:

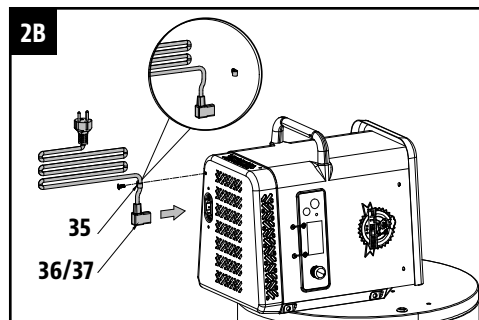
- 1 x Hauptfass-/Pelletkammer-Einheit (#11)
- 6 x Schraube (#A)
- 6 x Unterlegscheibe (#B)
- 6 x Federring (#C)
- 1 x Netzkabel (#36/ #37)
- 1 x Kabelklemmen (#35)

Montage:

- Breiten Sie ein Stück Karton auf dem Boden aus, damit das Gerät nicht verkratzt wird. Legen Sie das Hauptfass auf die Seite auf den Karton, das Ende mit der Pelletkammer nach oben.
- Halterung der Fettwanne mit sechs Schrauben, Sicherungsscheiben und Unterlegscheiben am Bodenende des Hauptfasses montieren. Beachten Sie Abbildung 2A.



- Wenn Sie bemerken, dass das Netzkabel nicht mit dem von Ihnen verwendeten Stecker übereinstimmt, ersetzen Sie es bitte durch das für Ihr Land passende Netzkabel.
- Stecken Sie die Kabelklemmen in das richtige Netzkabel. Stecken Sie das Netzkabel in die Nut am Boden der Pelletkammer. Befestigen Sie die Kabelklemme mit der zuvor installierten Schraube am Boden der Pelletkammer. Beachten Sie Abbildung 2B.



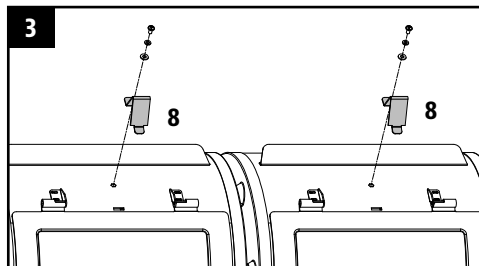
3. DECKELSTOPPER MONTIEREN

Erforderliche Teile:

2 x Deckelstopper (#8)

Montage:

- Deckelstopper mit der vormontierten Schraube auf der Oberseite des Hauptfasses auf der Oberseite des Hauptfasses befestigen.



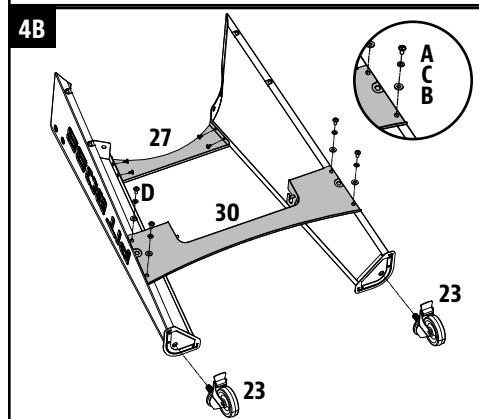
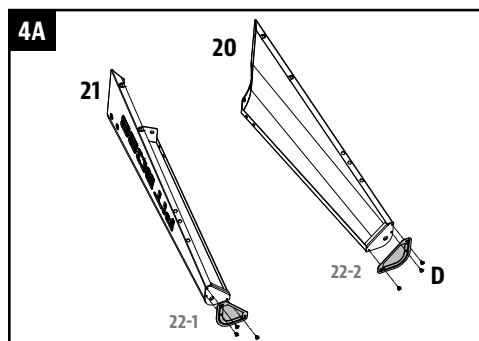
4. STÜTZPLATTEN UND LENKRÄDER BEFESTIGEN

Erforderliche Teile:

1 x Stützfuß für Rolle / Rückseite (#20)
 1 x Stützfuß für Rolle / Vorderseite (#21)
 1 x Verkleidungsstück Stützfuß vorn links (#22-1)
 1 x Verkleidungsstück Stützfuß hinten links (#22-2)
 1 x Seitliche Wagentafel (#27)
 1 x Querträger Wagen M (#30)
 2 x Rollenarretierung (#23)
 4 x Schraube (#A)
 4 x Unterlegscheibe (#B)
 4 x Federring (#C)
 10 x Schraube (#D)

Montage:

- Verkleidungsstück Stützfuß vorn links mit dem Stützfuß für Rolle / Vorderseite verschrauben. Verkleidungsstück Stützfuß hinten links mit dem Stützfuß für Rolle / Rückseite verschrauben. Beachten Sie Abbildung 4A.
- Stützfuß für Rolle / Vorderseite und Stützfuß für Rolle / Rückseite, im vorhergehenden Schritt zusammengebaut, mit den Schrauben (#D) an der seitlichen Wagentafel befestigen. Befestigen Sie den Querträgerwagen M mit den Schrauben (#A), Sicherungsscheiben und Unterlegscheiben an dem im vorherigen Schritt montierten Bauteil. Beachten Sie Abbildung 4B.



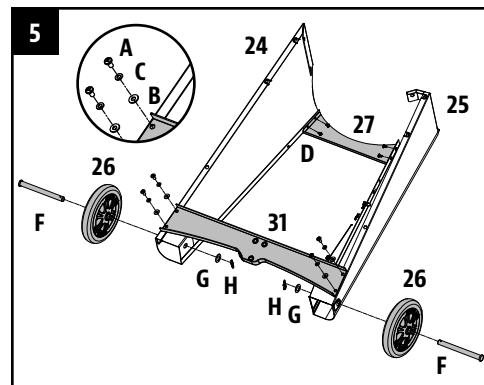
5. STÜTZPLATTEN UND RÄDER BEFESTIGEN

Erforderliche Teile:

- 1 x Stützfuß / Rückseite (#24)
- 1 x Stützfuß / Vorderseite (#25)
- 2 x Rad (#26)
- 1 x Seitliche Wagentafel (#27)
- 1 x Querträger Wagen L (#31)
- 4 x Schraube (#A)
- 4 x Unterlegscheibe (#B)
- 4 x Federring (#C)
- 4 x Schraube (#D)
- 2 x Bolzen (#F)
- 2 x Radunterlegscheiben (#G)
- 2 x Radsplint (#H)

Montage:

- Stützfuß für Rolle /Rückseite und Stützfuß für Rolle / Vorderseite mit den Schrauben (#D) an der seitlichen Wagentafel befestigen. Befestigen Sie den Querträgerwagen L mit den Schrauben (#A) der Sicherungsscheiben und Unterlegscheiben an dem im vorherigen Schritt zusammengebauten Bauteil.
- Das große Rad am Standbein befestigen, dazu den Bolzen durch das Rad und das Standbeinloch führen, dann mit dem Radsplint sichern. Montagevorgang für das andere Rad an der gleichen Seite wiederholen.



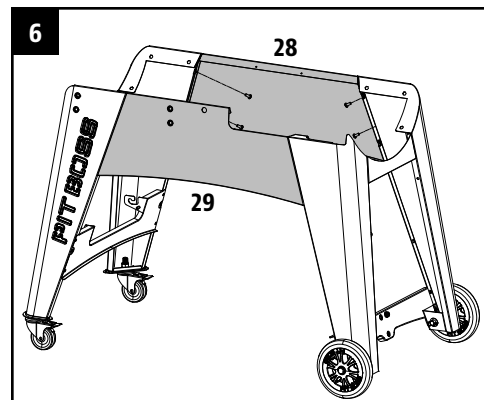
6. RAHMENBAUGRUPPE BEFESTIGEN

Erforderliche Teile:

- 1 x Hintere Wagentafel (#28)
- 1 x Vordere Wagentafel (#29)
- 8 x Schraube (#D)

Montage:

- Hintere Wagentafel an den beiden Stützfüßen des Geräts montieren. Mit den zwei Schrauben an beiden Seiten befestigen. Darauf achten, dass die ebene Seite der Wagentafel nach außen zeigt. Installation mit der vorderen Wagentafel und den anderen Stützfüßen wiederholen..



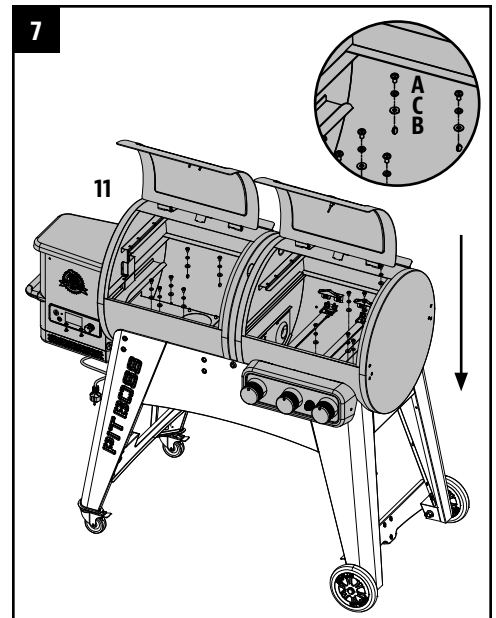
7. HAUPTFASS AM WAGEN ANBRINGEN

Erforderliche Teile:

- 1 x Hauptfass-/Pelletkammer-Einheit (#11)
- 12 x Schraube (#A)
- 12 x Unterlegscheibe (#B)
- 12 x Federring (#C)

Montage:

- Hauptfass für die Montage am Wagen vorbereiten. Wagen neben dem Hauptfass positionieren, beide sind dabei gleich ausgerichtet. Lenkräder am Wagen sperren. Mit Hilfe einer zweiten Person das Hauptfass auf den Wagen heben. Eine Person hebt an der Seite der Pelletkammer, die andere an der gegenüberliegende Seite des Fasses an, das Hauptfass vorsichtig anheben und langsam auf dem Wagen absetzen.
- Dann den Deckel am Hauptfass öffnen. So drehen, dass die Schraublöcher von Hauptfass und Wagen übereinander zu liegen kommen. Anschließend die Stützfüße jeweils mit drei Schrauben, Unterlegscheiben und Sicherungsscheiben befestigen.



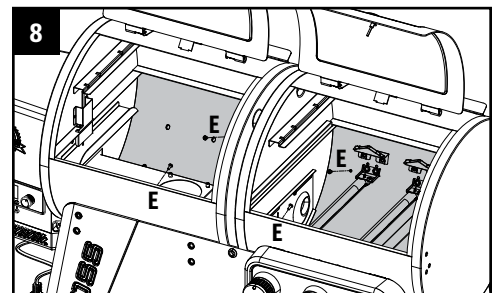
8. WAGENTAFEL AM GRILL BEFESTIGEN

Erforderliche Teile:

- 4 x Schraube (#E)

Montage:

- *Vordere / Hintere Wagentafel mit vier Schrauben befestigen.*



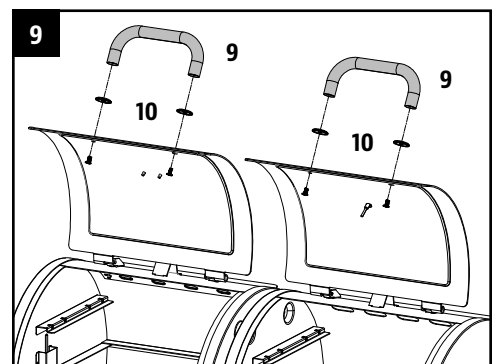
9. DECKELGRIFF MONTIEREN

Erforderliche Teile:

- 2 x Deckelgriff (#9)
- 4 x Deckelgriff Halterung (#10)

Montage:

- Die vormontierten Schrauben vom Deckelgriff entfernen. Führen Sie von der Fassinnenseite aus eine Schraube nach außen. Eine Halterung an der Schraube anbringen. Schraube von Hand (von der Innenseite aus) im Deckelgriff festschrauben. Vorgang an der anderen Seite wiederholen.



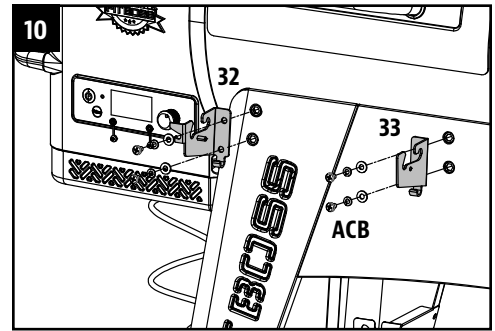
10. VORDERE ABLAGENHALTERUNG BEFESTIGEN

Erforderliche Teile:

- 1 x Vordere Ablagenhalterung /L (#32)
- 1 x Vordere Ablagenhalterung /R (#33)
- 4 x Schraube (#A)
- 4 x Unterlegscheibe (#B)
- 4 x Federring (#C)

Montage:

- Vordere Ablagenhalterung mit zwei Schrauben an der Vorderseite des Grillfasses befestigen. Die Schrauben jeweils halb einsetzen, erst festziehen, wenn alle Schrauben eingesetzt und korrekt ausgerichtet sind. Montagevorgang für die andere vordere Ablagenhalterung wiederholen.



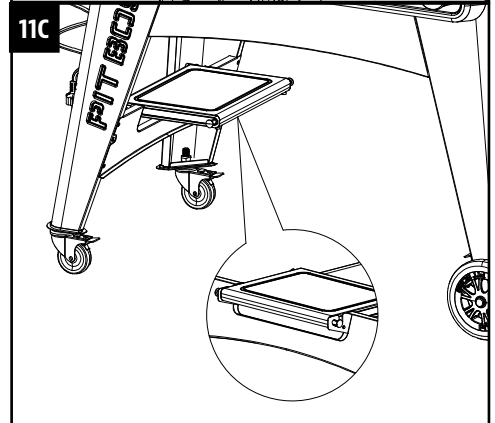
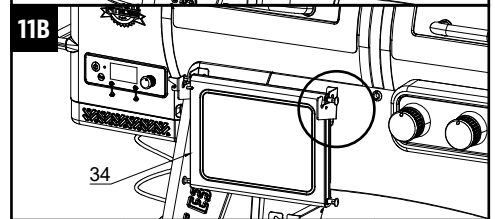
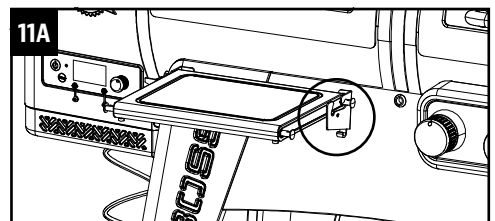
11. VORDERE ABLAGE MONTIEREN

Erforderliche Teile:

- 1 x Vordere Ablage (#34)

Montage:

- Vordere Ablage an den vorderen Ablagehalterungen befestigen. Siehe Abbildung 11A der aufgeklappten vorderen Ablage.
- Siehe Abbildung 11B der eingeklappten vorderen Ablage.
- Die vordere Ablage kann auch an den unteren Stützplatten angebracht und als untere Ablage verwendet werden. Beachten Sie Abbildung 11C.



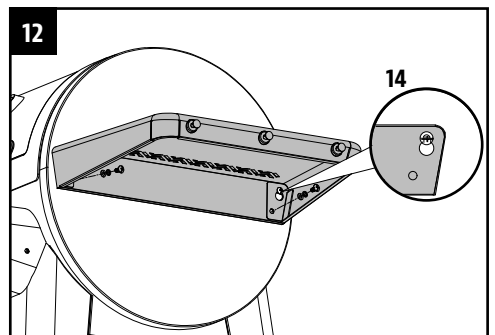
12. SEITLICHE ABLAGE MONTIEREN

Erforderliche Teile:

- 1 x Seitliche Ablage (#14)

Montage:

- Die zwei vormontierten Schrauben an der Seite des Hauptfasses lockern. Die seitliche Ablage zuerst an den Schrauben einhängen, dann die zwei zuvor gelockerten Schrauben festziehen.
- Die seitliche Ablage von unten her mit zwei Schrauben, Unterlegscheiben und Sicherungsscheiben an der Seitenwand des Hauptfasses befestigen.



13. GARKOMPONENTEN DES GRILLS MONTIEREN

Erforderliche Teile:

- 1 x Feuerpfannenhauptblech (#4)
- 1 x Feuerpfannenschieber (#3)
- 1 x Einstellstange für den Bratrost (#5)
- 1 x Einstellstangenhalter für den Bratrost (#6)
- 1 x Rauch-Einstellstang (#13)
- 3 x Hitzezelt (#7)
- 4 x Porzellanemaillierter Garrost aus Gusseisen (#2)
- 2 x Porzellanemailliertes oberes Gargitter aus Stahl (#1)

Montage:

- Feuerpfannenhauptblech in den Hauptgrill einsetzen. Feuerpfannenhauptblech auf die eingebaute Halterung (auf der rechten Seite) des Hauptgrills setzen, der das Fett zum Ablaufhaken des Fetteimers leitet. Schieben Sie das ganze Teil zur linken Seite und die zwei Schlitz im Feuerpfannenhauptblech setzen sich passgenau in die abgerundete Halterung über dem Brenntopf. Es sitzt mit einem leichten Gefälle. Beachten Sie Abbildung 13A.

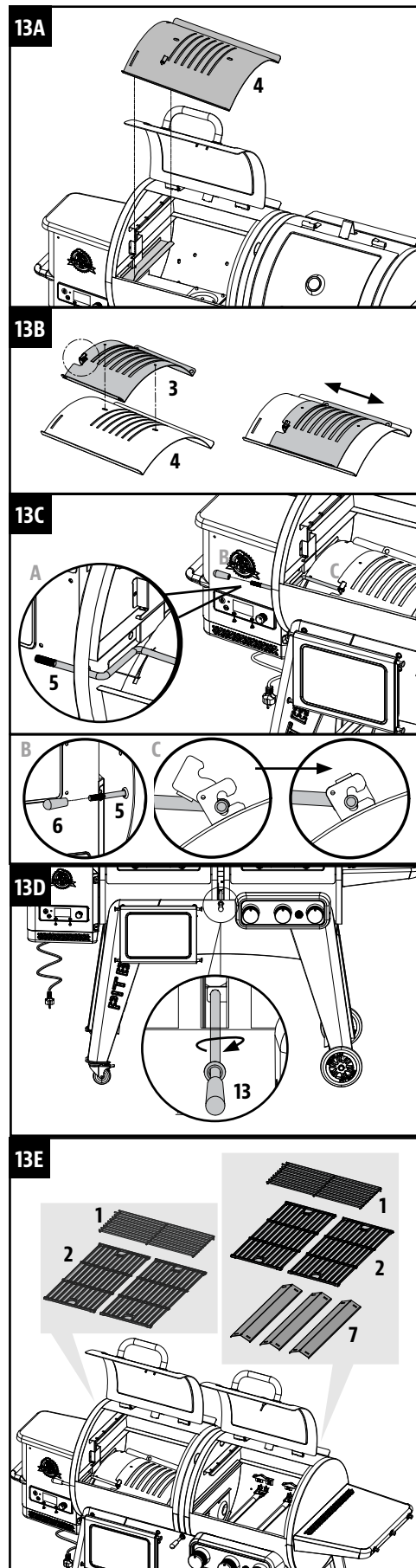
WICHTIG: Wenn das Hauptblech auf dem Fassboden sitzt, ist es falsch montiert. Eine fehlerhafte Montage kann Beschädigungen des Hauptgrillfasses verursachen.

- Platzieren Sie den Schieber des Bratrostes auf der Hauptplatte des Bratrostes. Dabei werden die Schlitz abgedeckt. Vergewissern Sie sich, dass sich die überstehende Lasche links befindet und die beiden Stifte an der Unterseite des Bratrosteschiebers in die Löcher der Hauptplatte des Bratrostes einsetzen, um später beim Kochen einfach einstellen zu können, ob man direkte oder indirekte Hitze bevorzugt. Beide Teile des Bratrostes wurden leicht mit Öl eingerieben, um zu verhindern, dass sie während des Versandes Rost ansetzen. Beachten Sie dazu auch Zeichnung 13B.

HINWEIS: Lassen Sie den Grill nicht unbeaufsichtigt, wenn der Schieberegler für den Flammen-Broiler geöffnet ist und während des Garvorgangs eine direkte Flamme verwendet wird.

- Feuerpfannen-Einstellstange durch die Öffnung an der linken Seite des Hauptfasses einführen. Griff der Feuerpfannen-Einstellstange an der anderen Seite des Hauptfasses anbringen. Dann das eingekerbte Ende der Einstellstange in die Verriegelung am Feuerpfannenschieber schieben, dadurch kann der Zugang zum Feuerpfannenschieber am Hauptblech geregelt werden. Beachten Sie Abbildung 13C.
- Rauch-Einstellstange einschrauben und festziehen. Sollte glatt vor und zurück gleiten. Beachten Sie Abbildung 13D.
- Die drei Hitzezelte oben auf dem Brenner platzieren. Legen Sie die Garroste nebeneinander auf die Rosthalterung im Hauptgrill. Das obere Gargitter auf der oberen Halterung im Hauptgrill anbringen, das Gargitter rastet ein. Beachten Sie Abbildung 13E.

HINWEIS: Damit die Leistung der Garroste beim scharfen Anbraten und Grillen gleich bleibt, ist regelmäßige Pflege und Wartung erforderlich. Siehe Bedienungsanleitung.



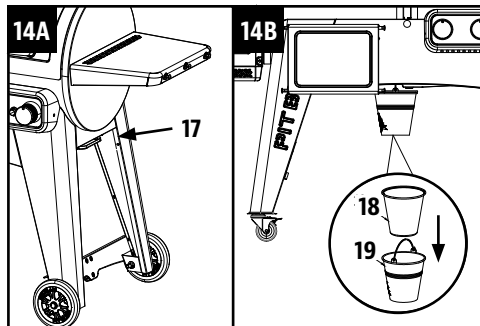
14. FETTEIMER MONTIEREN

Erforderliche Teile:

- 1 x Fettwanne (#17)
- 1 x Innenbehälter des Fetteimers (#18)
- 1 x Fetteimer (#19)

Montage:

- Fettwanne unten in das Hauptfass schieben. Beachten Sie Abbildung 14A.
- Setzen Sie den Fettbehälter in den Fettbehälter ein. Den Fetteimer am Ablaufhaken unten am Hauptfass anbringen. Achten Sie darauf, dass er gerade hängt, damit kein Öl verschüttet wird. Beachten Sie Abbildung 14B.



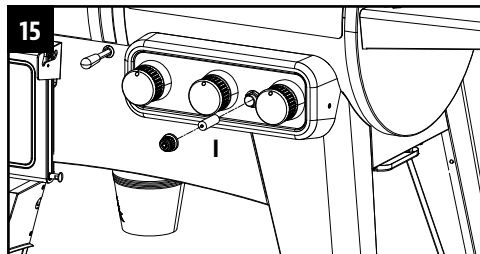
15. BATTERIE MONTIEREN

Erforderliche Teile:

- 1 x AA-Batterie (#1)

Montage:

- Schrauben Sie die Zünderkappe vom Bedienfeld ab. Setzen Sie die Batterie mit dem Pluspol (+) nach außen in den Batteriefach ein. Schrauben Sie die Kappe wieder auf die Verkleidung.
- Das Gerät ist jetzt vollständig zusammengebaut.

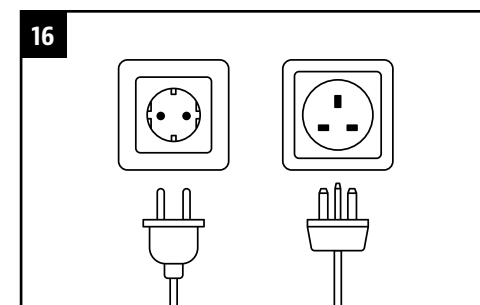


16. ANSCHLUSS AN EINE STROMQUELLE

HINWEIS: Bevor Sie Ihren Pit Boss® mit einer Steckdose verbinden, stellen Sie sicher, dass der Temperaturregler auf Position OFF steht.

- **STANDARDSTECKDOSE**
Dieses Gerät benötigt 220-240 V, 50 Hz, 250 W. Es ist ein geerdeter Stecker mit 3 Stiften erforderlich.

WICHTIG: Trennen Sie das Gerät von der Stromquelle, wenn es nicht verwendet wird.



WICHTIG: Bedienungsanleitung und Betriebsanleitung beachten.

SOMMARIO

Parti e specifiche	42
Operazioni preliminari al montaggio	44
Istruzioni di montaggio	
Assemblare il supporto del vassoio di raccolta grassi	44
Montaggio del vassoio di raccolta grassi sulla camera	
principale	44
Installazione della chiusura coperchio	45
Fissaggio delle piastre di supporto e delle ruote girevoli	45
Fissaggio delle piastre di supporto e delle ruote	46
Fissaggio della struttura.....	46
Montaggio della camera principale sul carrello.....	47
Fissaggio del pannello del carrello alla griglia.....	47
Installazione del manico del coperchio	47
Fissaggio delle staffe del ripiano anteriore	48
Installazione del ripiano anteriore	48
Installazione del ripiano laterale	48
Installazione dei componenti di cottura della griglia.....	49
Installazione del secchiello del grasso.....	50
Installazione della batteria	50
Collegamento a una fonte di alimentazione	50

IT

ITALIANO



AVVISO SUL COPYRIGHT

Copyright 2021. Tutti i diritti riservati. Nessuna parte del presente manuale può essere copiata, trasmessa, trascritta, memorizzata in un sistema di recupero dati, in qualsiasi forma o con qualsiasi mezzo senza espressa autorizzazione scritta di

DANSONS EUROPA

11 Rue Galvani Parigi, Francia 75017

DANSONS NORD AMERICA

3411 North 5th Avenue, Suite 500, Phoenix, AZ, USA 85013

SERVIZIO CLIENTI

www.pitboss-grills.com

PARTI E SPECIFICHE

N. parte	Descrizione
1	Ripiano di cottura superiore in acciaio rivestito di porcellana (x2)
2	Griglia di cottura in ghisa rivestita di porcellana (x4)
3	Elemento scorrevole del parafiamma (x1)
4	Piastra principale del parafiamma (x1)
5	Barra di regolazione del parafiamma (x1)
6	Pomello della barra di regolazione del parafiamma (x1)
7	Schermo termico (x3)
8	Chiusura coperchio (x2)
9	Manico coperchio (x2)
10	Corona per manico coperchio (x4)
11	Gruppo camera principale/Tramoggia (x1)
12	Sonda carni (x2)
13	Barra di regolazione del fumo (x1)
14	Ripiano laterale (x1)
15	Supporto del vassoio di raccolta grassi A (x2)
16	Supporto del vassoio di raccolta grassi B (x2)
17	Vassoio di raccolta grassi (x1)
18	Contenitore interno del secchio di grasso (x1)
19	Secchiello del grasso (x1)
20	Supporto per ruota girevole/Posteriore (x1)
21	Supporto per ruota girevole/Anteriore (x1)
22-1	Pezzo assetto supporto anteriore sinistro (x1)
22-2	Pezzo assetto supporto posteriore sinistro (x1)
23	Ruote bloccabili (x2)
24	Supporto/Posteriore (x1)
25	Supporto/Anteriore (x1)
26	Ruota (x2)
27	Pannello laterale del carrello (x2)
28	Pannello posteriore del carrello (x1)
29	Pannello anteriore del carrello (x1)
30	Traversa del carrello M (x1)
31	Traversa del carrello L (x1)

N. parte	Descrizione
32	Staffa del ripiano anteriore /S (x1)
33	Staffa del ripiano anteriore /D (x1)
34	Ripiano anteriore (x1)
35	Fermacavi (x1)
36	Cavo di alimentazione - Spina F (x1)
37	Cavo di alimentazione - Spina G (x1)
A	Vite (x30)
B	Rondella (x30)
C	Rondella di bloccaggio (x30)
D	Vite (x26)
E	Rondella (x4)
F	Perno asse ruota (x2)
G	Rondella ruota (x2)
H	Copiglia ruota (x2)
I	Batteria AA (x1)

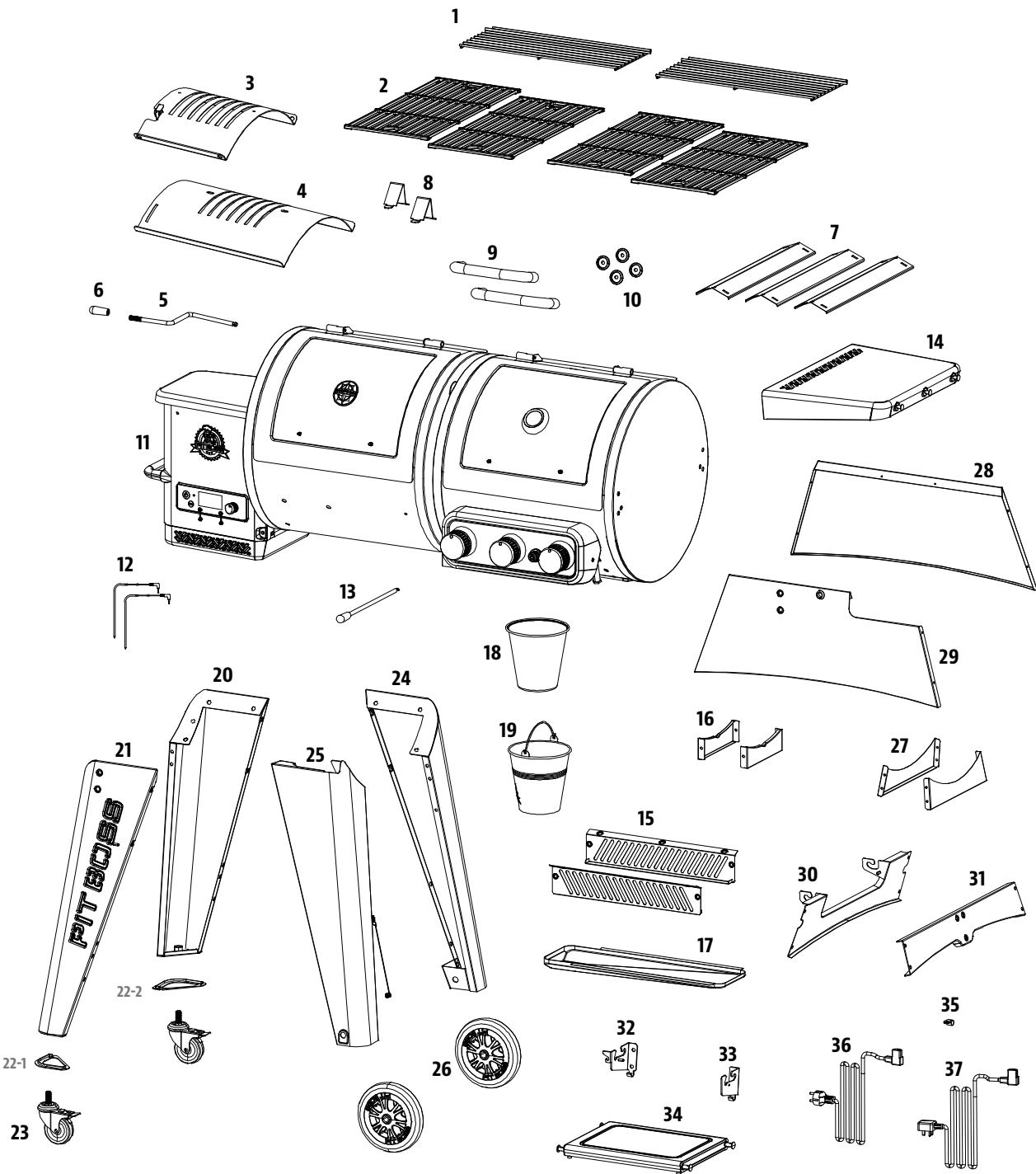
NOTA: per lo sviluppo continuo del prodotto, le parti sono soggette a modifiche senza preavviso. Contattare il Servizio clienti se le parti sono mancanti durante l'assemblaggio dell'unità.

PB - REQUISITI ELETTRICI
220-240 V, 50 Hz, 250 W, SPINA A 3 POLI CON MESSA A TERRA

Illustrazione con figure nella pagina successiva.

MODELLO	UNITÀ ASSEMBLATA (LxAxP)	PESO UNITARIO	AREA COTTURA		INTERVALLO TEMP.	FUNZIONI DIGITALI	
PB	PB1230G	1759mm x 1195mm x 866mm / 69,2" x 47" x 34,1"	92 kg / 202,82 lb	<i>Corpo principale pellet</i> - 2580,6 cm ² / 400 sq. in. <i>Ripiano superiore</i> - 1489 cm ² / 230,8 sq. in. TOTALE - 4069,6 cm² / 630,8 sq. in.	<i>Corpo principale gas</i> - 2580,6 cm ² / 400 sq. in. <i>Ripiano superiore</i> - 1489 cm ² / 230,8 sq. in. TOTALE - 4.069,6 cm² / 630,8 sq. in.	82-260°C / 180-500°F	Dieci preimpostazioni di temperatura, ciclo di avvio, dispositivo di accensione elettrico
				TOTALE GRIGLIA - 8139,2 cm² / 1261,6 sq. in.			

PARTI E SPECIFICHE



A		B		C		D		E	
F		G		H		I			

OPERAZIONI PRELIMINARI AL MONTAGGIO

Le parti si trovano in tutto il cartone di spedizione, anche sotto la griglia. Ispezionare la griglia, le parti e la confezione blister della viteria dopo la rimozione dal cartone di spedizione di protezione. Eliminare tutti i materiali di imballaggio all'interno e all'esterno della griglia prima del montaggio, quindi esaminare e ispezionare tutte le parti facendo riferimento all'elenco dei componenti. Se una parte è mancante o danneggiata, non tentare di assemblare il prodotto. I danni di spedizione non sono coperti dalla garanzia. Per le parti di ricambio, contattare il rivenditore o il Servizio clienti Pit Boss.

www.pitboss-grills.com

IMPORTANTE: per facilitare l'installazione, la presenza di due persone è utile (ma non necessaria) durante l'assemblaggio dell'unità.

Strumenti necessari per il montaggio: cacciavite e livella. *Strumenti non inclusi.*



ISTRUZIONI DI MONTAGGIO

IMPORTANTE: prima di iniziare le operazioni di montaggio in base alle istruzioni, si consiglia di leggere interamente ogni passaggio. Non serrare completamente le viti fino a quando non siano state inserite tutte le viti per quel passaggio. La viteria che comprende una rondella di sicurezza e un'altra rondella deve essere installata con la rondella di sicurezza più vicina alla testa della vite.

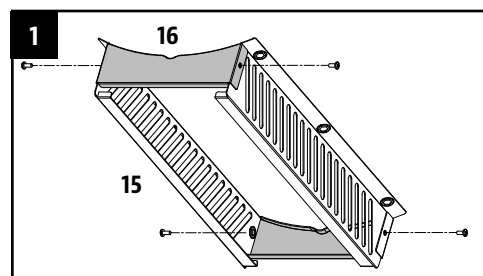
1. ASSEMBLARE IL SUPPORTO DEL VASSOIO DI RACCOLTA GRASSI

Parti necessarie:

- 2 x Supporto del vassoio di raccolta grassi A (#15)
- 2 x Supporto del vassoio di raccolta grassi B (#16)
- 4 x Vite (#D)

Installazione:

- Montare il supporto del vassoio di raccolta grassi A sul supporto del vassoio di raccolta grassi B utilizzando quattro viti.



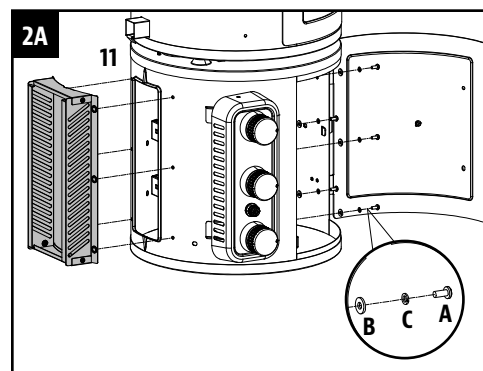
2. MONTAGGIO DEL VASSOIO DI RACCOLTA GRASSI SULLA CAMERA PRINCIPALE

Parti necessarie:

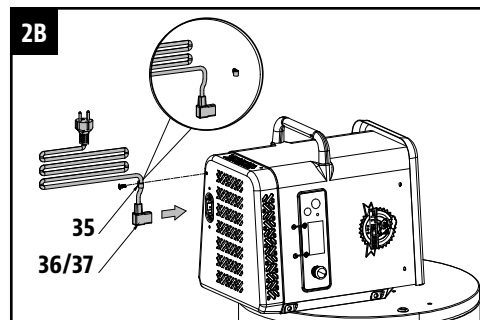
- 1 x Main Barrel / Hopper Assembly (#11)
- 6 x Vite (#A)
- 6 x Rondella (#B)
- 6 x Perno asse ruota (#C)
- 1 x Cavo di alimentazione (#36/ #37)
- 1 x Fermacavi (#35)

Installazione:

- Posizionare un pezzo di cartone sul pavimento per evitare di graffiare l'unità. Appoggiare la camera principale sul lato, con l'estremità della tramoggia rivolta verso l'alto sul cartone.
- Montare il supporto del vassoio di raccolta grassi sull'estremità della camera principale che poggia sul pavimento utilizzando sei viti, rondelle di sicurezza e rondelle. Osservare la figura 2A.



- Sostituisci il cavo di alimentazione con il cavo di alimentazione corretto per il tuo paese, se scopri che il cavo di alimentazione non corrisponde alla spina che stai usando.
- Posiziona i fermacavi sul cavo di alimentazione corretto. Posiziona i fermacavi sul cavo di alimentazione corretto. Inserisci il cavo di alimentazione nel boschetto sul fondo della tramoggia. Fissa il fermacavo sul fondo della tramoggia con la vite precedentemente installata. Osservare la figura 2B.



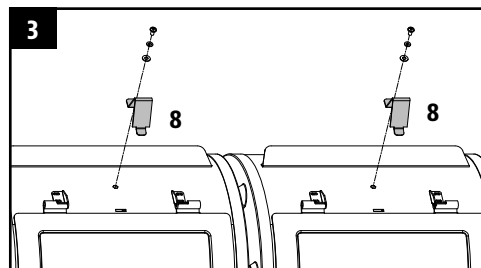
3. INSTALLAZIONE DELLA CHIUSURA COPERCHIO

Parti necessarie:

- 2 x Chiusura coperchio (#8)

Installazione:

- Fissare la chiusura coperchio sulla parte superiore della camera principale utilizzando la vite pre-installata sulla parte superiore della camera principale.



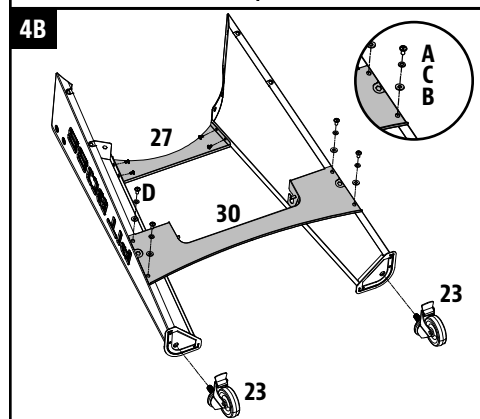
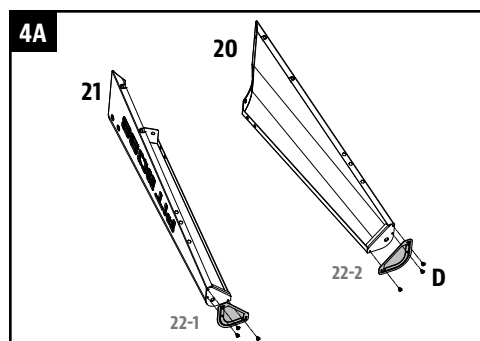
4. FISSAGGIO DELLE PIASTRE DI SUPPORTO E DELLE RUOTE GIREVOLI

Parti necessarie:

- 1 x Supporto per ruota girevole/Posteriore (#20)
- 1 x Supporto per ruota girevole/Anteriore (#21)
- 1 x Pezzo assetto supporto anteriore sinistro (#22-1)
- 1 x Pezzo assetto supporto posteriore sinistro (#22-2)
- 1 x Pannello laterale del carrello (#27)
- 1 x Traversa del carrello M (#30)
- 2 x Ruote bloccabili (#23)
- 4 x Vite (#A)
- 4 x Rondella (#B)
- 4 x Perno asse ruota (#C)
- 10 x Vite (#D)

Installazione:

- Avvitare il pezzo di assetto del supporto anteriore sinistro al supporto sinistro per la ruota girevole anteriore. Avvitare il pezzo di assetto del supporto posteriore sinistro al supporto sinistro per la ruota girevole posteriore. Osservare la figura 4A.
- Fissare il supporto per la ruota girevole anteriore e il supporto per la ruota girevole posteriore assemblati nel passaggio precedente con l'elemento di collegamento del pannello laterale del carrello con le viti (#D). Fissare la traversa del carrello M sull'elemento assemblato nel passaggio precedente con le viti (#A), rondelle di sicurezza e rondelle. Osservare la figura 4B.



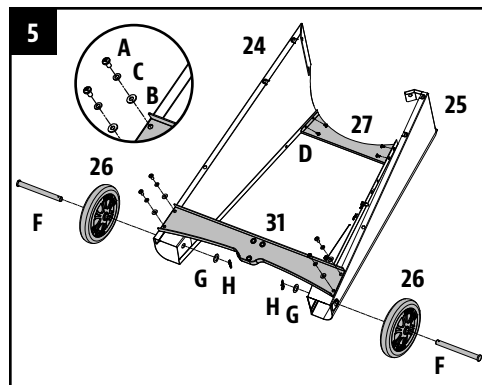
5. FISSAGGIO DELLE PIASTRE DI SUPPORTO E DELLE RUOTE

Parti necessarie:

- 1 x Supporto/Posteriore (#24)
- 1 x Supporto / Anteriore (#25)
- 2 x Ruota (#26)
- 1 x Pannello laterale del carrello (#27)
- 1 x Traversa del carrello L (#31)
- 4 x Vite (#A)
- 4 x Rondella (#B)
- 4 x Perno asse ruota (#C)
- 4 x Vite (#D)
- 2 x Perno asse ruota (#F)
- 2 x Rondella ruota (#G)
- 2 x Copiglia ruota (#H)

Installazione:

- Fissare il supporto posteriore e il supporto anteriore con il pannello laterale del carrello con le viti (#D). Fissare la traversa del carrello L sull'elemento assemblato nel passaggio precedente con le viti (#A), rondelle di sicurezza e rondelle.
- Fissare la ruota grande al supporto inserendo il perno dell'asse della ruota nella ruota, nel foro del supporto e infine fissare utilizzando la copiglia della ruota. Ripetere l'installazione per l'altra ruota sullo stesso lato.



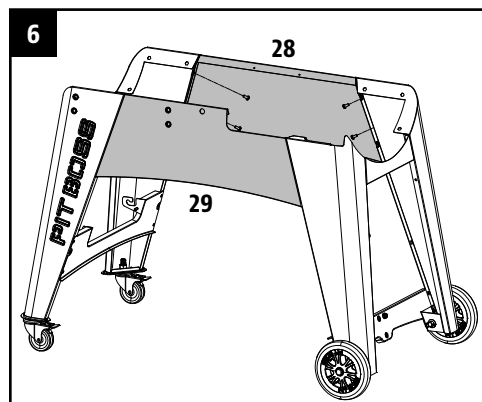
6. FISSAGGIO DELLA STRUTTURA

Parti necessarie:

- 1 x Pannello posteriore del carrello (#28)
- 1 x Pannello anteriore del carrello (#29)
- 8 x Vite (#D)

Installazione:

- Montare il pannello posteriore del carrello sui due supporti anteriori dell'unità. Fissare utilizzando due viti su ogni lato. Assicurarsi che la superficie piana della piastra di supporto sia rivolta verso l'esterno. Ripetere la stessa procedura di installazione per la piastra del pannello anteriore del carrello agli altri supporti.



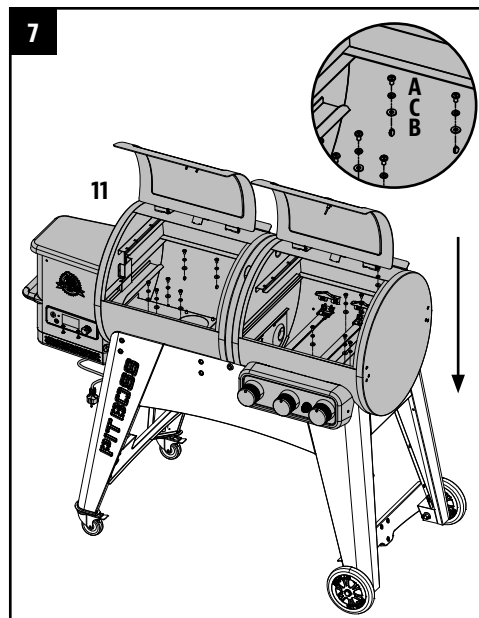
7. MONTAGGIO DELLA CAMERA PRINCIPALE SUL CARRELLO

Parti necessarie:

- 1 x Gruppo camera principale/Tramoggia (#11)
- 12 x Vite (#A)
- 12 x Rondella (#B)
- 12 x Perno asse ruota (#C)

Installazione:

- Preparare la camera principale per il montaggio sul carrello. Posizionare il carrello accanto alla camera principale, entrambi rivolti verso la stessa direzione. Bloccare le ruote girevoli sul carrello. Con l'aiuto di una seconda persona, prepararsi a sollevare la camera principale sul carrello. Con una persona che esegue l'operazione di sollevamento sul lato della tramoggia e l'altra che esegue la stessa operazione all'estremità opposta della camera, sollevare con cautela la camera principale e posizionarla lentamente sul carrello.
- Aprire quindi il coperchio della camera principale. Regolare la rotazione per allineare i fori delle viti della camera principale al carrello. Dopo il posizionamento, fissare ogni gamba di supporto alla camera principale utilizzando tre viti, rondelle e rondelle di sicurezza.



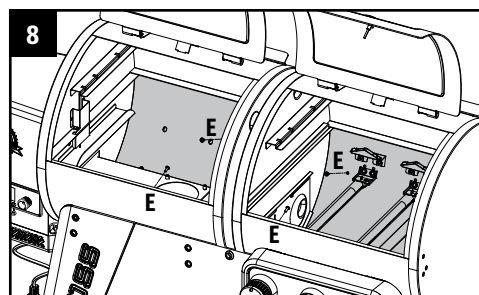
8. FISSAGGIO DEL PANNELLO DEL CARRELLO ALLA GRIGLIA

Parti necessarie:

- 4 x Vite (#E)

Installazione:

- Fissare il pannello anteriore e posteriore del carrello alla camera utilizzando quattro viti.



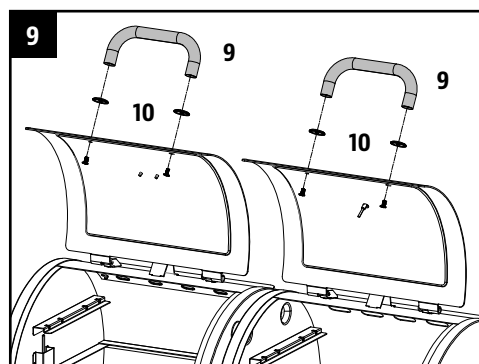
9. INSTALLAZIONE DEL MANICO DEL COPERCHIO

Parti necessarie:

- 2 x Manico coperchio (#9)
- 4 x Corona per manico coperchio (#10)

Installazione:

- Rimuovere le viti preinstallate dal manico del coperchio. Dall'interno del coperchio della camera, inserire una vite in modo che sporga verso l'esterno. Applicare una corona alla vite. Quindi serrare manualmente la vite (dall'interno) sul manico del coperchio. Ripetere sull'altro lato.



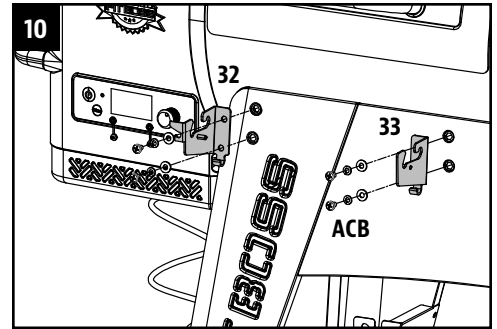
10. FISSAGGIO DELLE STAFFE DEL RIPIANO ANTERIORE

Parti necessarie:

- 1 x Staffa del ripiano anteriore /S (#32)
- 1 x Staffa del ripiano anteriore /D(#33)
- 4 x Vite (#A)
- 4 x Rondella (#B)
- 4 x Perno asse ruota (#C)

Installazione:

- Fissare una staffa del ripiano anteriore sulla parte anteriore della camera della griglia utilizzando due viti. Avvitare a metà ogni vite, quindi serrarle completamente quando entrambe le viti saranno inserite e allineate correttamente. Ripetere la stessa installazione per l'altra staffa del ripiano anteriore.



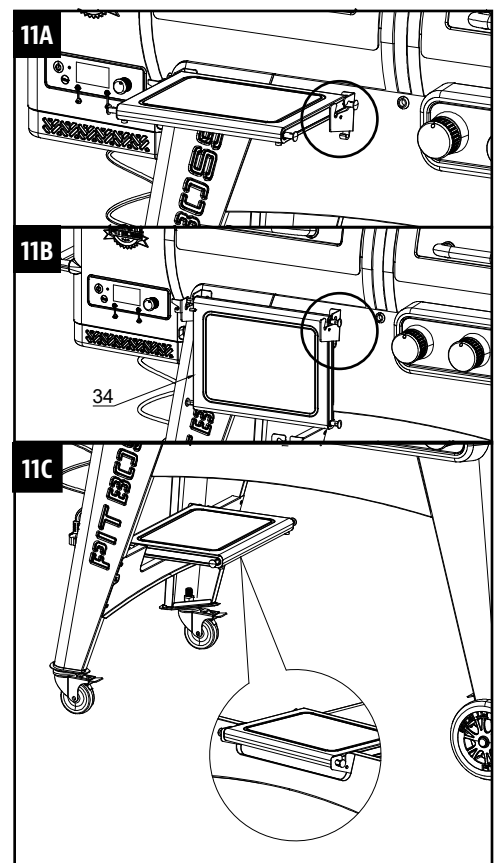
11. INSTALLAZIONE DEL RIPIANO ANTERIORE

Parti necessarie:

- 1 x Ripiano anteriore (#34)

Installazione:

- Posizionare il ripiano anteriore sulle staffe di supporto del ripiano anteriore. Osservare la figura 11A del ripiano anteriore in posizione verticale.
- Osservare la figura 11B del ripiano anteriore in posizione orizzontale.
- Il ripiano anteriore può anche essere posizionato sulle piastre di supporto inferiori ed essere usato come piastra inferiore. Osservare la figura 11C.



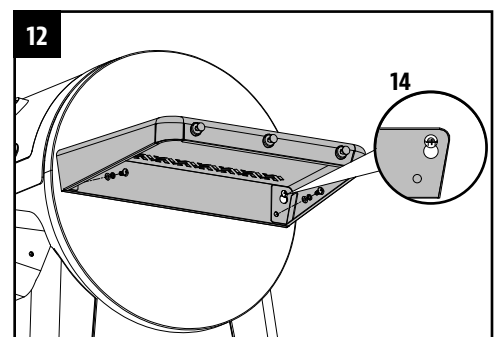
12. INSTALLAZIONE DEL RIPIANO LATERALE

Parti necessarie:

- 1 x Ripiano laterale (#14)

Installazione:

- Allentare le due viti preinstallate sul lato della camera principale. Agganciare prima il ripiano laterale alle viti, quindi serrare le due viti precedentemente allentate.
- Dal basso, fissare il ripiano laterale al pannello laterale della camera principale utilizzando due viti, rondelle e rondelle di sicurezza.



13. INSTALLAZIONE DEI COMPONENTI DI COTTURA DELLA GRIGLIA

Parti necessarie:

- 1 x Piastra principale del parafiamma (#4)
- 1 x Elemento scorrevole del parafiamma (#3)
- 1 x Barra di regolazione del parafiamma (#5)
- 1 x Pomello della barra di regolazione del parafiamma (#6)
- 1 x Barra di regolazione del fumo (#13)
- 3 x Schermo termico (#7)
- 4 x Griglia di cottura in ghisa rivestita di porcellana (#2)
- 2 x Ripiano di cottura superiore in acciaio rivestito di porcellana (#1)

Installazione:

- Inserire la piastra principale del parafiamma nella griglia principale. Appoggiare la piastra principale del parafiamma sulla sporgenza (all'interno a destra) della griglia principale che fa defluire il grasso verso il secchiello del grasso. Far scorrere tutto il pezzo a sinistra. Le due fessure sulla piastra principale del parafiamma si inseriranno nella sporgenza arrotondata al di sopra del recipiente di combustione. La parte si troverà in posizione leggermente angolata verso il basso. Osservare la figura 13A.

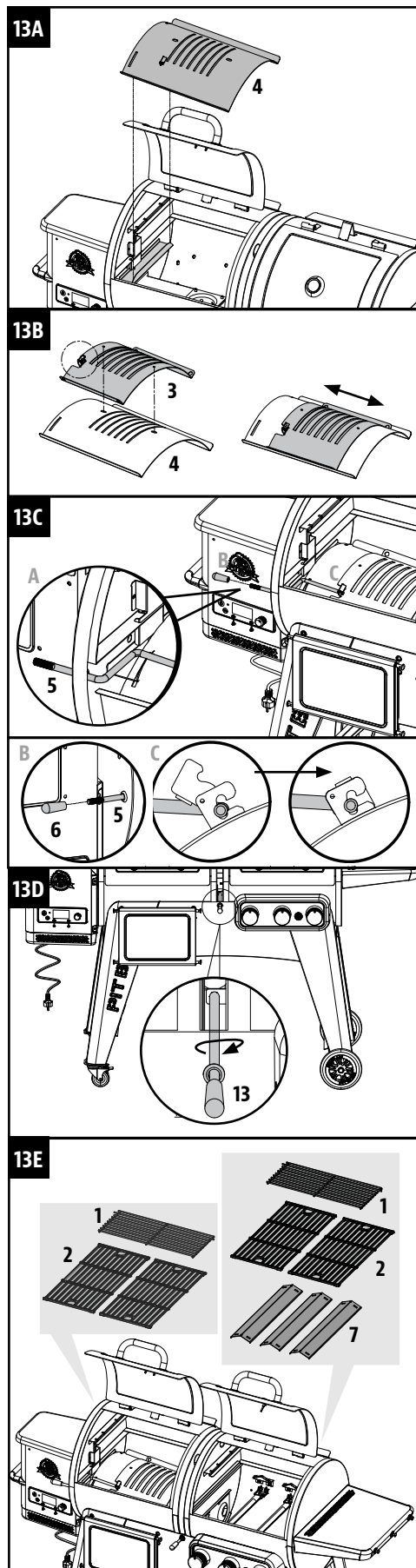
IMPORTANTE: se la piastra principale poggia sulla base della camera, l'installazione **non è corretta**. Una cattiva installazione potrebbe provocare danni alla camera principale della griglia.

- Posizionare l'elemento scorrevole del parafiamma sopra la piastra principale del parafiamma, coprendo le scanalature. Assicurarsi che la linguetta sollevata sia a sinistra e che i due perni nella parte inferiore dell'elemento scorrevole del parafiamma siano inseriti nei fori della piastra principale del parafiamma in modo che si adattino facilmente alla fiamma diretta e indiretta durante la cottura. Entrambe le parti del parafiamma sono leggermente cosparse di olio per evitare la formazione di ruggine durante la spedizione. Osservare la figura 13B.

NOTA: quando il cursore della griglia è aperto e viene utilizzata una fiamma diretta durante la cottura, non lasciare la griglia incustodita per nessun periodo di tempo.

- Inserire la barra di regolazione del parafiamma attraverso il foro di apertura sul lato sinistro della camera principale. Aggiungere il pomello della barra di regolazione del parafiamma sul lato esterno della camera. Successivamente, far scorrere l'estremità dentellata della barra di regolazione nella linguetta di bloccaggio sull'elemento scorrevole del parafiamma che fornisce un accesso regolabile all'elemento scorrevole del parafiamma sulla piastra principale. Osservare la figura 13C.
- Avvitare la barra di regolazione del fumo e serrarla. Deve scorrere agevolmente avanti e indietro. Osservare la figura 13D.
- Posizionare i tre schermi termici sopra il bruciatore. Posizionare le griglie di cottura, affiancate, sulla sporgenza della griglia nella griglia principale. Posizionare il ripiano di cottura superiore sulla sporgenza superiore all'interno della griglia principale. Il ripiano di cottura verrà bloccato. Osservare la figura 13E.

NOTA: per mantenere le prestazioni di rosolatura e cottura della griglia, sono necessarie una cura e una manutenzione regolari. Vedere il manuale dell'utente.



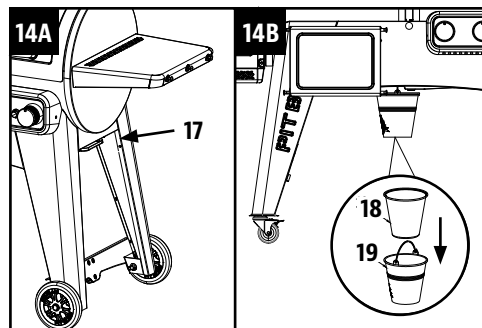
14. INSTALLAZIONE DEL SECCHIELLO DEL GRASSO

Parti necessarie:

- 1 x Vassoio di raccolta grassi (#17)
- 1 x Contenitore interno del secchio di grasso (#18)
- 1 x Secchiello del grasso (#19)

Installazione:

- Inserire il vassoio di raccolta grassi nella parte inferiore della camera principale. Osservare la figura 14A.
- Inserire il rivestimento del secchio del grasso all'interno del secchio del grasso. Posizionare il secchiello del grasso sul gancio del becco nella parte inferiore della camera principale. Assicurarsi che sia a livello per evitare fuoriuscite di grasso. Osservare la figura 14B.



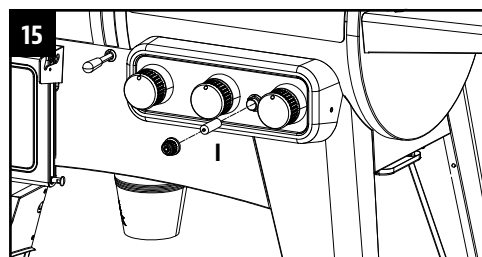
15. INSTALLAZIONE DELLA BATTERIA

Parti necessarie:

- 1 x Batteria AA (#1)

Installazione:

- Svitare il cappuccio dell'accenditore dal pannello di controllo. Inserire la batteria nell'apposito slot con l'estremità positiva (+) rivolta verso l'esterno. Riavvitare il tappo sul pannello.
- L'unità è ora completamente assemblata.



16. COLLEGAMENTO A UNA FONTE DI ALIMENTAZIONE

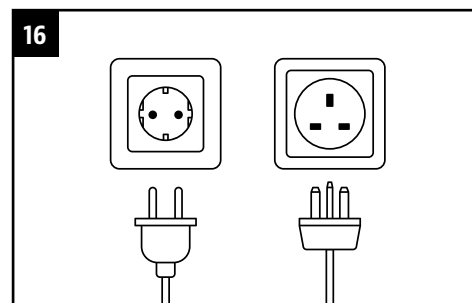
NOTA: prima di collegare l'unità Pit Boss® a una presa elettrica, assicurarsi che la manopola di regolazione della temperatura si trovi sulla posizione OFF.

• PRESA STANDARD

Questo apparecchio deve essere alimentato con 220-240 volt, 50 Hz, 250 w.
Richiede un connettore a 3 poli con messa a terra.

IMPORTANTE: scollegare l'unità dalla fonte di alimentazione quando non è in uso.

IMPORTANTE: per le istruzioni operative, consultare il manuale dell'utente.



INDHOLDSFORTEGNELSE

Dele og specifikationer	52
Klargøring af montage	54
Monteringsvejledning	
Montering af fedtbakkens støtteplader	54
Montering af fedtbakke på hovedtønde.....	54
Montering af lågstop	55
Fastgørelse af støtteplader og møbelhjul.....	55
Fastgørelse af støtteplader og hjul.....	55
Fastgørelse af samlet stel	56
Montering af hovedtønde på vogn	56
Fastgørelse af vognpanel til grillen	56
Montering af låghåndtag.....	57
Fastgørelse af beslag til forreste hylde	57
Montering af forreste hylde.....	57
Montering af sidehylde	58
Montering af grillens tilberedelseskomponenter	58
Montering af fedtspand	59
Montering af batteriet	59
Tilslutning til en strømkilde	60



BEMÆRKNING OM OPHAVSRET

Copyright 2021. Alle rettigheder forbeholdes. Ingen del af denne vejledning må kopieres, overføres, transskriberes, gemmes i et overførselssystem i nogen form eller på nogen måde uden udtrykkelig skriftlig tilladelse fra

DANSONS EUROPE

11 Rue Galvani Paris, Frankrig 75017

DANSONS NORDAMERIKA

3411 North 5th Avenue, Suite 500, Phoenix, AZ, USA 85013

KUNDESERVICE

www.pitboss-grills.com

DK

DANSK

DELE OG SPECIFIKATIONER

Delnr.	Beskrivelse
1	Øverste stegestatativ af porcelænsbelagt stål (x2)
2	Stegerist af porcelænsbelagt støbejern (x4)
3	Skyderplade i grillålg (x1)
4	Hovedplade i grillålg (x1)
5	Justeringsstang til grillålg (x1)
6	Håndtag til justeringsstang til grillålg (x1)
7	Varmetelt (x3)
8	Lågstop (x2)
9	Låghåndtag (x2)
10	Låghåndtag Ring (x4)
11	Hovedtønde/magasinenhed (x1)
12	Stegetermometer (x2)
13	Røgjusteringsstang (x1)
14	Sidehylde (x1)
15	Støtteplade A til fedtbakke (x2)
16	Støtteplade B til fedtbakke (x2)
17	Fedtbakke (x1)
18	Indre fedtspand (x1)
19	Fedtspand (x1)
20	Bagerste støtteben til møbelhjul (x1)
21	Forreste støtteben til møbelhjul (x1)
22-1	Fod til forreste venstre støtteben (x1)
22-2	Fod til bagerste venstre støtteben (x1)
23	Møbelhjul med lås (x2)
24	Bagerste støtteben (x1)
25	Forreste støtteben (x1)
26	Hjul (x2)
27	Sidepanel til vogn (x2)
28	Bagpanel til vogn (x1)
29	Frontpanel til vogn (x1)
30	Tværstang (M) (x1)
31	Tværstang (L) (x1)

Delnr.	Beskrivelse
32	Beslag til forreste hylde (venstre) (x1)
33	Beslag til forreste hylde (højre) (x1)
34	Forreste hylde (x1)
35	Kabelklemmerne (x1)
36	Strømkabel - F Plug (x1)
37	Strømkabel - G Plug (x1)
A	Skrue (x30)
B	Spændeskive (x30)
C	Fjederskive (x30)
D	Skrue (x26)
E	Spændeskive (x4)
F	Hjulakselstift (x2)
G	Hjulspændeskive (x2)
H	Hjulsplit (x2)
I	AA-batteri (x1)

BEMÆRK: På grund af løbende produktudvikling kan dele være ændret uden varsel. Kontakt kundeservice, hvis der mangler dele ved montering af enheden.

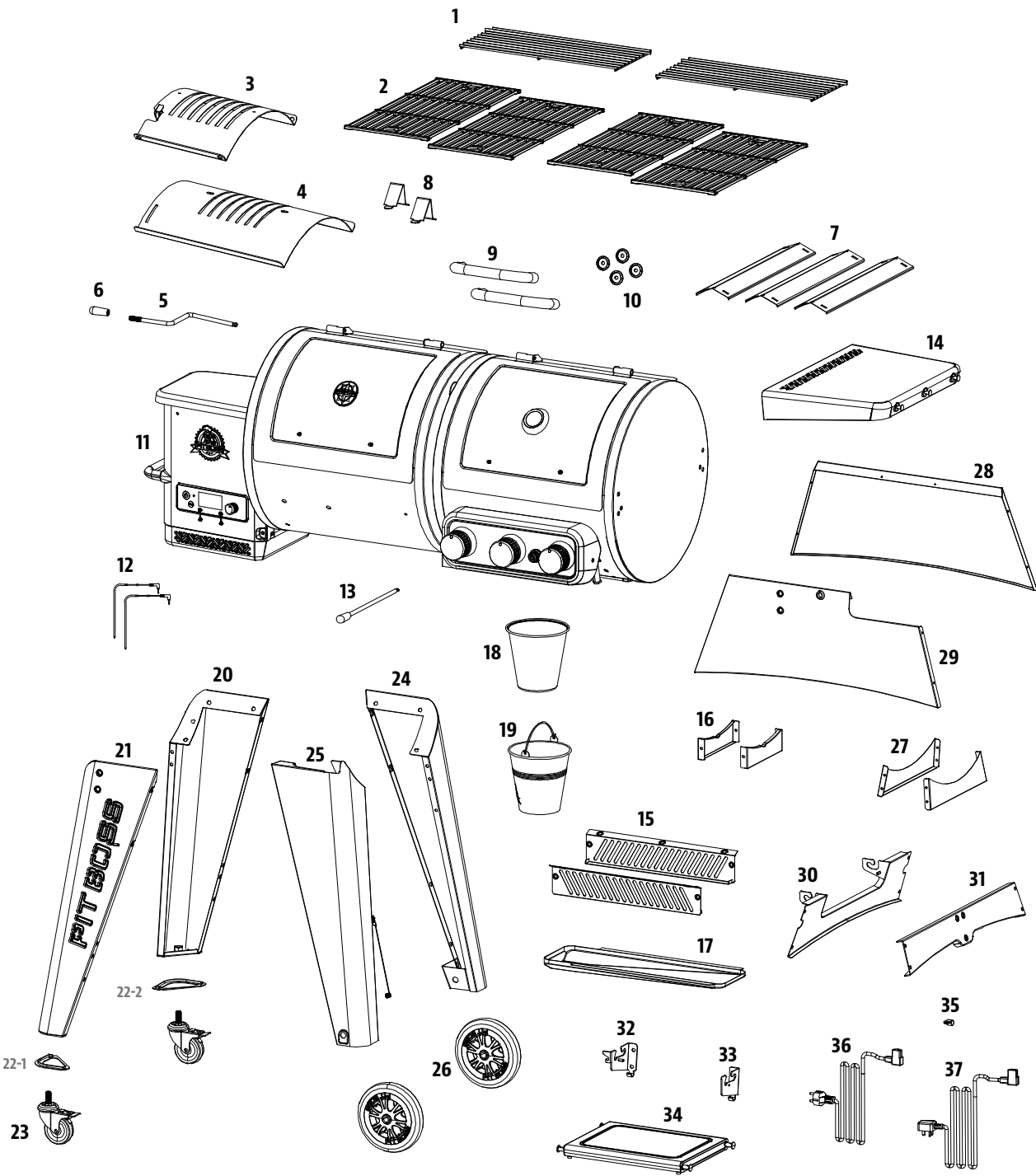
PB - STRØMKRAV

220-240 V, 50 Hz, 250 W, 3-BENET, JORDFORBUNDET STIK

Illustreret skema på næste side.

MODEL	MONTERET ENHED (B x H x D)	ENHEDS VÆGT	STEGEOMRÅDE	TEMP. INTERVAL	DIGITALE FUNKTIONER
PB PB1230G	1759mm x 1195mm x 866mm / 69,2" x 47" x 34,1"	92 kg / 202,82 lb	Hovedpillegrill - 2580,6 cm ² / 400 sq. in. Overdel - 1489 cm ² / 230,8 sq. in. I ALT - 4069,6 cm² / 630,8 sq. in.	82-260°C / 180-500°F	Ti forudindstillede temperaturer, opstartscyklus, elektrisk tænder
			GRILL I ALT - 8139,2 cm² / 1261,6 sq. in.		

DELE OG SPECIFIKATIONER



A		B		C		D		E	
F		G		H		I			

DK
DANSK

KLARGØRING AF MONTAGE

Delene er fordelt i forsendelsesemballagen, også under grillen. Kontrollér grillen, dele og hardwareblisterpakke efter udtagning fra den beskyttende fragtkasse. Bortskaf al emballage inde i og omkring grillen, før den samles. Gennemgå og kontroller alle dele ud fra den medfølgende liste over dele. Hvis en del mangler eller er beskadiget, må du ikke forsøge at montere den. Skader som følge af fragten dækkes ikke af garantien. Kontakt din forhandler eller Pit Boss-kundeservice angående dele.

www.pitboss-grills.com

VIGTIGT: Det er en fordel at være to personer ved montering af denne enhed (dog ikke nødvendigt).

Krævede værktøjer ved montering: skruetrækker og vaterpas. *Værktøj er ikke inkluderet.*



MONTERINGSVEJLEDNING

VIGTIGT: Det anbefales at læse hvert trin helt igennem, før du påbegynder monteringen ifølge anvisningerne. Undgå at tilspænde skruerne helt, indtil alle skruer for det pågældende trin er skruet i. Hardwaren omfatter en fjederskive og en spændeskive, som skal bruges sammen med fjederskiven tættest på skruens hoved.

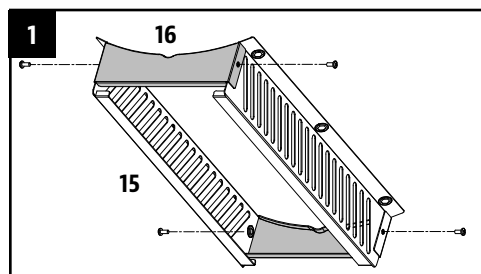
1. MONTERING AF FEDTBAKKENS STØTTEPLADER

Krævede dele:

- 2 x Støtteplade A til fedtbakke (#15)
- 2 x Støtteplade B til fedtbakke (#16)
- 4 x Skruer (#D)

Montering:

- Fastgør fedtbakkens støtteplade A til støtteplade B ved hjælp af fire skruer.



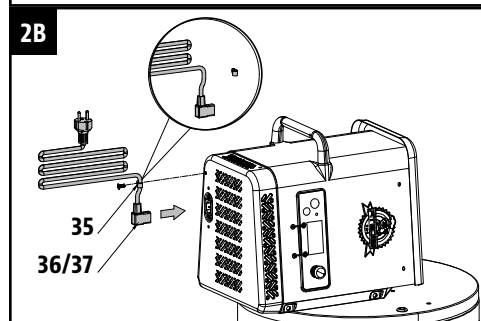
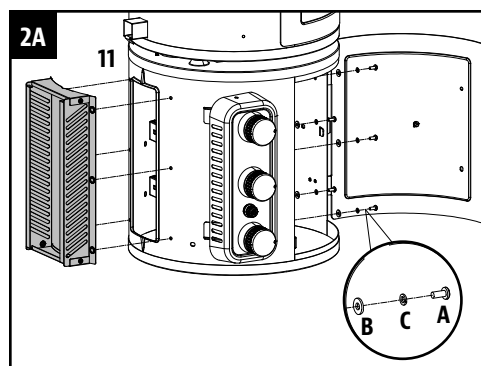
2. MONTERING AF FEDTBAKKE PÅ HOVEDTØNDE

Krævede dele:

- 1 x Hovedtønne/magasinenhed (#11)
- 6 x Skruer (#A)
- 6 x Spændeskive (#B)
- 6 x Fjederskive (#C)
- 1 x Strømkabel (#36/ #37)
- 1 x Kabelklemmerne (#35)

Montering:

- Placer et stykke karton på gulvet for ikke at komme til at ridse enheden. Læg hovedtønden på siden, så magasinets ende vender opad oven på kartonstykket.
- Fastgør fedtbakkens støtteplader til den ende af hovedtønden, der vender mod gulvet, ved hjælp af seks skruer, fjederskiver og spændeskiver. Bemærk illustration 2A.
- Udskift venligst med den korrekte strømledning for dit land, hvis du opdager, at strømledningen ikke stemmer overens med det stik, du bruger.
- Placer kabelklemmerne på den korrekte strømledning. Indsæt strømkablet i bunden af tragten. Fastgør kabelklemmen til bunden af tragten med den tidligere installerede skruer. Bemærk illustration 2B.



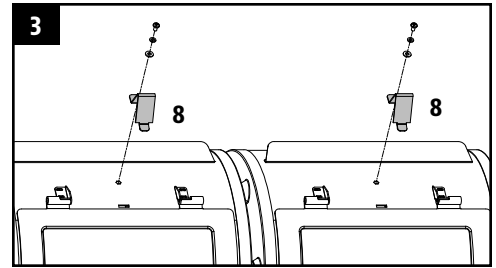
3. MONTERING AF LÅGSTOP

Krævede dele:

2 x Lågstop (#8)

Montering:

- Fastgør lågstoppet på toppen af hovedtønden ved hjælp af den formonterede skrue oven på hovedtønden.



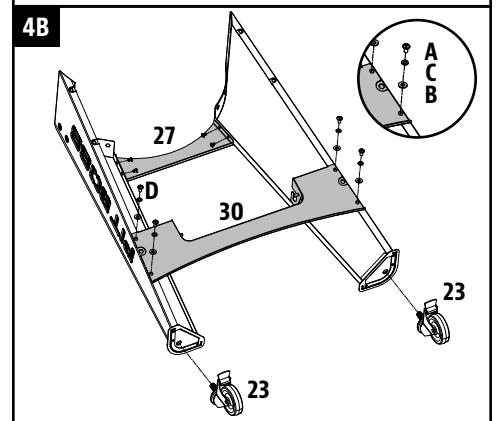
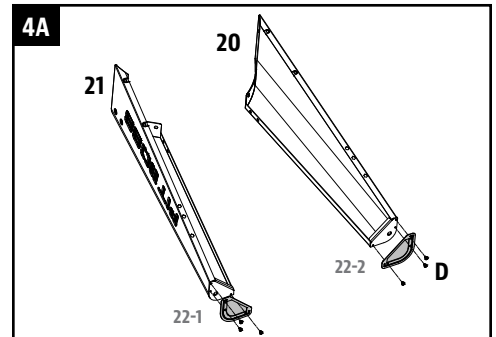
4. FASTGØRELSE AF STØTTEPLADER OG MØBELHJUL

Krævede dele:

1 x Bagerste støtteben til møbelhjul (#20)
1 x Forreste støtteben til møbelhjul (#21)
1 x Fod til forreste venstre støtteben (#22-1)
1 x Fod til bagerste venstre støtteben (#22-2)
1 x Sidepanel til vogn (#27)
1 x Tværstang (M) (#30)
2 x Møbelhjul med lås (#23)
4 x Skrue (#A)
4 x Spændeskive (#B)
4 x Fjederskive (#C)
10 x Skrue (#D)

Montering:

- Skrufoden til forreste venstre støtteben fast til forreste venstre støtteben til møbelhjul. Skrufoden til bagerste venstre støtteben fast til bagerste venstre støtteben til møbelhjul. Bemærk illustration 4A.
- Fastgør forreste støtteben til møbelhjul og bagerste støtteben til møbelhjul, der blev samlet i det foregående trin, til vognens sidepanel ved hjælp af skruer (#D). Fastgør tværstangen (M) til benene, der blev samlet i det foregående trin, ved hjælp af skruer (#A), fjederskiver og spændeskiver. Bemærk illustration 4B.



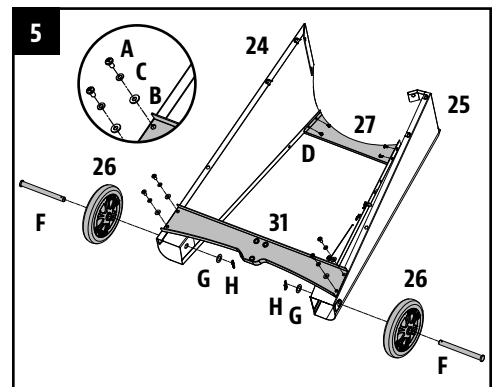
5. FASTGØRELSE AF STØTTEPLADER OG HJUL

Krævede dele:

1 x Bagerste støtteben (#24)
1 x Forreste støtteben (#25)
2 x Hjul (#26)
1 x Sidepanel til vogn (#27)
1 x Tværstang (L) (#31)
4 x Skrue (#A)
4 x Spændeskive (#B)
4 x Fjederskive (#C)
4 x Skrue (#D)
2 x Hjulakselstift (#F)
2 x Hjulspændeskive (#G)
2 x Hjulsplit (#H)

Montering:

- Fastgør forreste støtteben og bagerste støtteben til vognens sidepanel ved hjælp af skruer (#D). Fastgør tværstangen (L) til benene, der blev samlet i det foregående trin, ved hjælp af skrue (#A), fjederskiver og spændeskiver.



- Fastgør det store hjul til støttebenet ved at indføre hjulakselstiften gennem hjulet og derefter hullet i støttehjulet. Fastgør til sidst hjulet med hjulsplitten. Gentag monteringen for det andet ben på samme side.

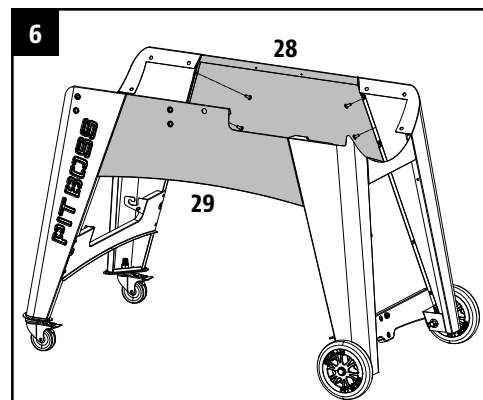
6. FASTGØRELSE AF SAMLET STEL

Krævede dele:

- 1 x Bagpanel til vogn (#28)
- 1 x Frontpanel til vogn (#29)
- 8 x Skrue (#D)

Montering:

- Montér vognens bagpanel på enhedens to forreste støtteben. Fastgør ved hjælp af to skruer på hver side. Sørg for, at den flade side af støttepladen vender udad. Gentag den samme monteringen for at fastgøre vognens forreste panel til de andre støtteben.



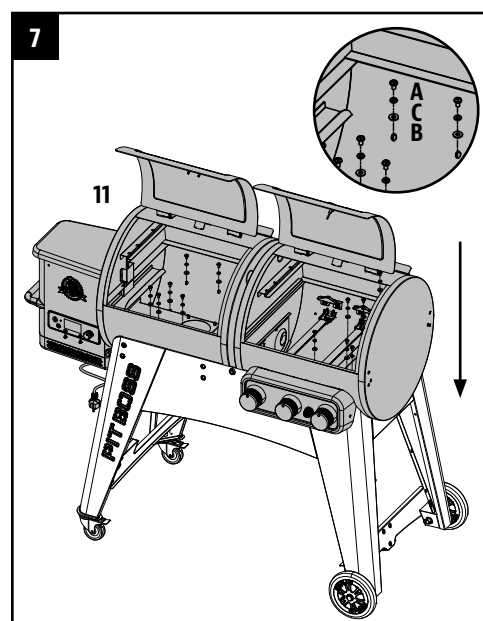
7. MONTERING AF HOVEDTØNDE PÅ VOGN

Krævede dele:

- 1 x Hovedtønne/magasinenhed (#11)
- 12 x Skrue (#A)
- 12 x Spændeskive (#B)
- 12 x Fjederskive (#C)

Montering:

- Gør hovedtønden klar til at blive monteret på vognen. Placér vognen ved siden af hovedtønden, så de begge peger samme vej. Lås møbelhjulene på vognen. Find en anden person, der kan hjælpe dig, og gør jer klar til at løfte hovedtønden over på vognen. Den ene af jer stiller sig på magasinsiden, mens den anden placerer sig på den modsatte side af tønden, og når I er klar, løfter I forsigtigt hovedtønden, hvorefter I langsomt sænker den ned på vognen.
- Åbn derefter låget på hovedtønden. Drej hovedtønden, så dens skruenhuller passer til vognen. Når den korrekte placering er opnået, skal hvert ben fastgøres til hovedtønden ved hjælp af tre skruer, spændeskiver og fjederskiver.



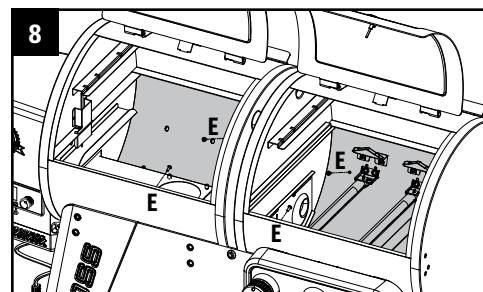
8. FASTGØRELSE AF VOGNPANEL TIL GRILLEN

Krævede dele:

- 4 x Skrue (#E)

Montering:

- Fastgør vognens front- og bagpanel til tønden ved hjælp af fire skruer.



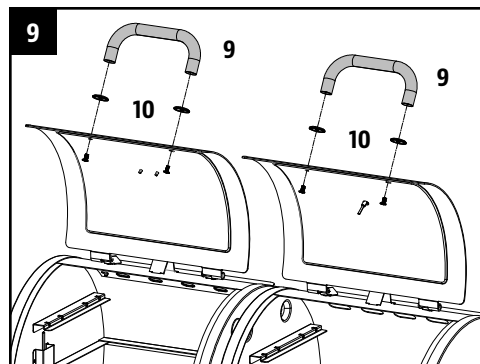
9. MONTERING AF LÅGHÅNDTAG

Krævede dele:

- 2 x Låghåndtag (#9)
- 4 x Låghåndtag Ring (#10)

Montering:

- Fjern de formonterede skruer fra låghåndtaget. Fra undersiden af tøndens låg skal du indføre en skrue, så den stikker frem på ydersiden. Læg en ring over skruen. Skru derefter skruen (fra undersiden) ind i låghåndtaget med håndkraft. Gentag på den anden side.



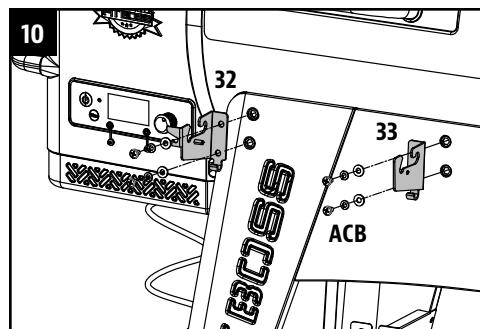
10. FASTGØRELSE AF BESLAG TIL FORRESTE HYLDE

Krævede dele:

- 1 x Beslag til forreste hylde (venstre) (#32)
- 1 x Beslag til forreste hylde (højre) (#33)
- 4 x Skrue (#A)
- 4 x Spændeskive (#B)
- 4 x Fjederskive (#C)

Montering:

- Fastgør et beslag til den forreste hylde på hovedtøndens forside ved hjælp af to skruer. Start med at skrue hver skrue halvejs ind og derefter helt ind, når begge skruer sidder rigtigt. Gentag monteringen for det andet beslag til den forreste hylde.



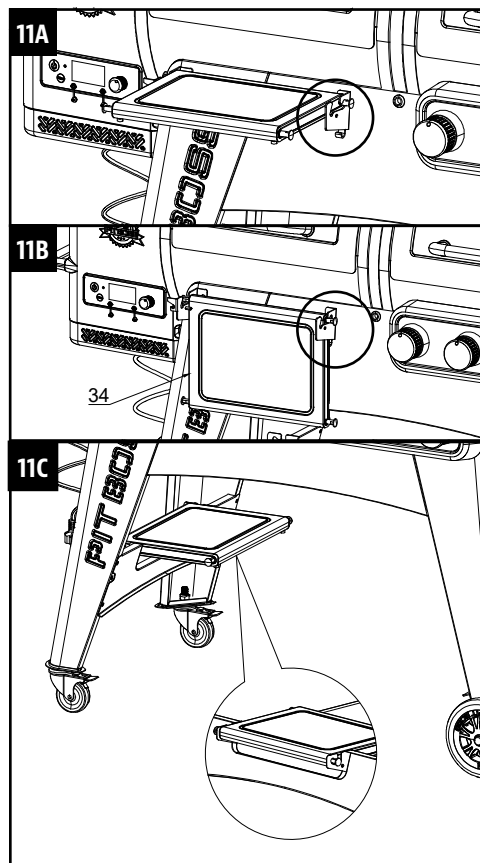
11. MONTERING AF FORRESTE HYLDE

Krævede dele:

- 1 x Forreste hylde (#34)

Montering:

- Placér den forreste hylde på beslagene. Bemærk illustration 11A, hvor den forreste hylde er slået ned.
- Bemærk illustration 11B, hvor den forreste hylde er slået op.
- Den forreste hylde kan også placeres på de nederste støtteplader og bruges som underhylde. Bemærk illustration 11C.



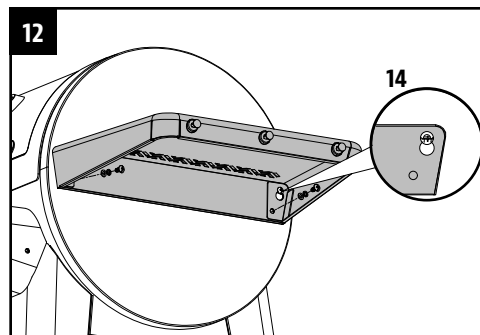
12. MONTERING AF SIDEHYLDE

Krævede dele:

- 1 x Sidehylde (#14)

Montering:

- Løsn de to formonterede skruer på siden af hovedtønden. Slut først sidehylde til skruerne, og skru derefter de to forløsnede skruer på plads.
- Fastgør sidehylde til hovedtøndens sidepanel nedefra ved hjælp af to skruer, spændeskiver og fjederskiver.



13. MONTERING AF GRILLENS TILBEREDELSESKOMPONENTER

Krævede dele:

- 1 x Hovedplade i grillåg (#4)
- 1 x Skyderplade i grillåg (#3)
- 1 x Justeringsstang til grillåg (#5)
- 1 x Håndtag til justeringsstang til grillåg (#6)
- 1 x Røgjusteringsstang (#13)
- 3 x Varmetelt (#7)
- 4 x Stegerist af porcelænsbelagt støbejern (#2)
- 2 x Øverste stegestativ af porcelænsbelagt stål (#1)

Montering:

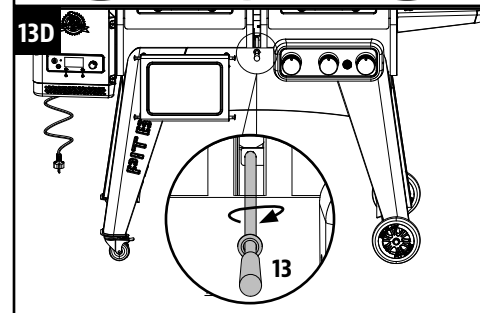
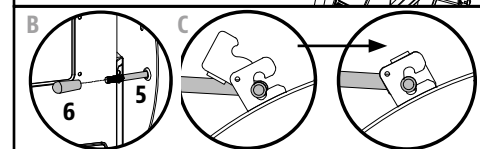
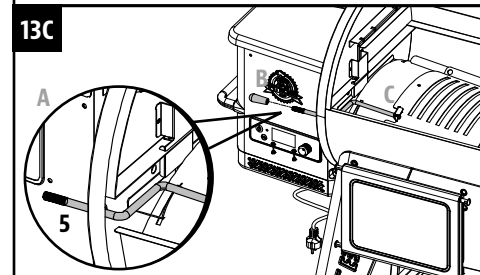
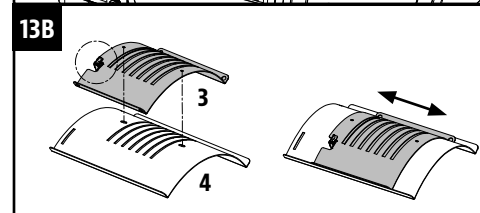
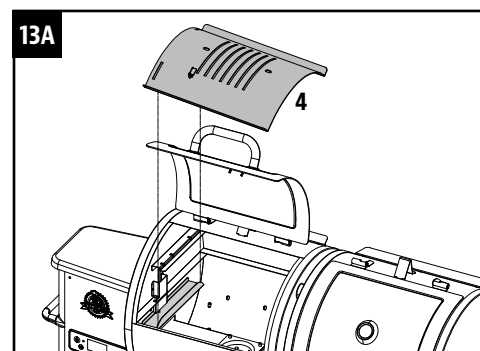
- Indfør grillågets hovedplade i hovedtønden. Lad lågets hovedplade hvile på den indbyggede afsats (indvendigt i højre side) i hovedtønden, hvor fedtstoffet føres mod fedtspandens tud. Skub hele stykket til venstre, så de to riller på grillågets hovedplade passer ind i den afrundede afsats over brændkarret. Den vil vippe en smule nedad. Bemærk illustration 13A.

VIGTIGT: Hvis hovedpladen sidder i bunden af tønden, er den ikke monteret korrekt. Forkert montering kan resultere i beskadigelse af hovedtønden.

- Placer grillågets skyderplade oven på hovedpladen, så den dækker ventilationsåbningerne. Sørg for, at den forhøjede tap er til venstre, og at de to stifter på bunden af grillågets skyderplade passer til hullerne på hovedpladen, så du let kan justere mellem direkte eller indirekte varme under madlavningen. Begge dele af grillåget er belagt med et tyndt olielag for at undgå, at det rustner under fragten. Bemærk illustration 13B.

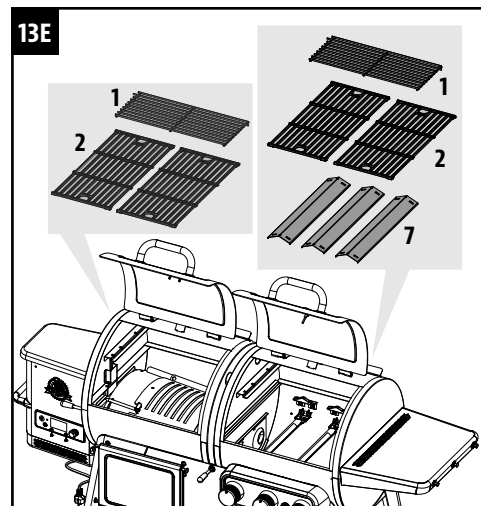
BEMÆRK: Når skydekammeret til flammehovedet er åbent, og der bruges en direkte flamme under tilberedning, skal du ikke lade grillen være uden opsyn i nogen periode.

- Indfør justeringsstangen til grillåget i hullet på venstre side af hovedtønden. Fastgør håndtaget til justeringsstangen til grillåget på den ende af stangen, der er uden for tønden. Skub derefter den anden ende af justeringsstangen ind i låsetappen på grillågets skyderplade, så du kan tilgå og justere skyderpladen på hovedpladen. Bemærk illustration 13C.
- Skru røgjusteringsstangen i, og stram den. Den burde glide gnidningsfrit frem og tilbage. Bemærk illustration 13D.



- Placér de tre varmetelte på grillen. Placer stegeristene ved siden af hinanden på ristafsatsen inde i hovedtønden. Placér det øverste stegerativ på den øverste afsats inde i hovedtønden. Stegativet fastlåses. Bemærk illustration 13E.

BEMÆRK: For at bevare stegeristenes egenskaber til at brune og grille er det nødvendigt at efterse og vedligeholde dem regelmæssigt. Se brugervejledningen.



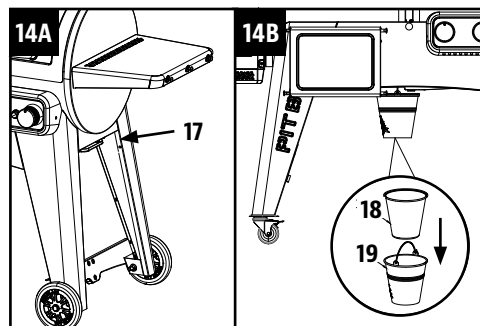
14. MONTERING AF FEDTSPAND

Krævede dele:

- 1 x Fedtbakke (#17)
- 1 x Indre fedtspand (#18)
- 1 x Fedtspand (#19)

Montering:

- Skub fedtbakken ind i bunden af hovedtønden. Bemærk illustration 14A.
- Indsæt fedtbeholderforingen inde i fedtbeholderen. Placer fedtspanden på tudens krog i bunden af hovedtønden. Sørg for at spanden hænger lige, så fedtet ikke hældes ud af den. Bemærk illustration 14B.



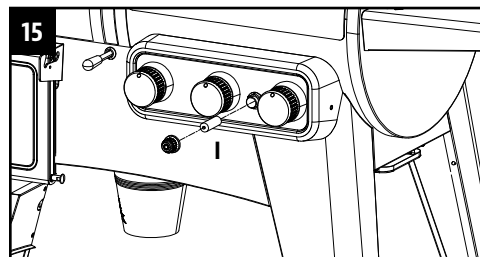
15. MONTERING AF BATTERIET

Krævede dele:

- 1 x AA-batteri (#1)

Montering:

- Skru tændingshætten af fra betjeningspanelet. Indsæt batteri i batterispalten med den positive ende (+) vendt udad. Skru hætten tilbage på panelet.
- Enheden er nu færdigmonteret.



16. TILSLUTNING TIL EN STRØMKILDE

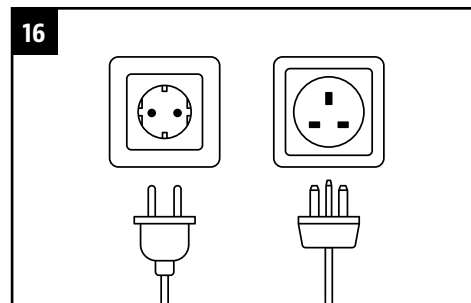
BEMÆRK: Før du tilslutter din Pit Boss® til en stikkontakt, skal du sikre, at temperaturstyringsknappen er indstillet til positionen OFF (Sluk).

- *STANDARDEFFEKT*

Driften af denne enhed kræver 220-240 V, 50 Hz, 250 W. Den bruger et trebenet, jordforbundet stik.

VIGTIGT: Kobl enheden fra strømkilden, når den ikke er i brug.

VIGTIGT: Se brugervejledningen for yderligere betjeningsvejledning.



SISÄLLYSLUETTELO

Osat ja tekniset tiedot.....	62
Kokoamisen valmistelu.....	64
Kokoamisohjeet	
Kokoa rasvatarjottimen tuki	64
Rasvatarjottimen kiinnittäminen pöytäruutuun.....	64
Kannen pidikkeen asentaminen	65
Tukilevyjen ja kääntöpyörien kiinnittäminen.....	65
Tukilevyjen ja pyörien kiinnittäminen.....	65
Rungon kiinnittäminen.....	66
Pöytäruutun kiinnittäminen koriin	66
Koripaneelin kiinnittäminen grilliin	66
Kannen kahvan asentaminen	66
Etuhyllyn pidikkeiden kiinnittäminen	67
Etuhyllyn asentaminen	67
Sivuhyllyn asentaminen	67
Grillin osien asentaminen.....	68
Rasva-astian asentaminen.....	69
Pariston asettaminen paikalleen.....	69
Virtalähteeseen liittäminen.....	69



TEKIJÄNOIKEUKSIA KOSKEVA HUOMAUTUS

Tekijänoikeus 2021. Kaikki oikeudet pidätetään. Tämän ohjekirjan mitään osaa ei saa kopioida, välittää eteenpäin, litteroida tai tallentaa hakujärjestelmään missään muodossa tai millään tavoin ilman nimenomaista kirjallista lupaa, jonka on myöntänyt

DANSONS EUROPE

11 Rue Galvani Pariisi, Ranska 75017

DANSONS POHJOIS-AMERIKKA

3411 North 5th Avenue, Suite 500, Phoenix, AZ, USA 85013

ASIAKASPALVELU

www.pitboss-grills.com

OSAT JA TEKNISET TIEDOT

Osan numero	Kuvaus
1	Posliinipäällysteinen, teräksinen ylempi ruuanvalmistusteline (x2)
2	Posliinipäällysteinen, valurautainen ruuanvalmistusrilä (x4)
3	Liekkiparilan säädin (x1)
4	Liekkiparilan päälevy (x1)
5	Liekkiparilan säätöpalkki (x1)
6	Liekkiparilan säätöpalkin kahva (x1)
7	Lämpötelta (x3)
8	Kannen pidike (x2)
9	Kannen kahva (x2)
10	Kannen kahvan tiiviste (x4)
11	Päärumpu / Pellettisäiliökokonaisuus (x1)
12	Paistomittari (x2)
13	Savun säätöpalkki (x1)
14	Sivuhylly (x1)
15	Rasvatarjottimen tuki A (x2)
16	Rasvatarjottimen tuki B (x2)
17	Rasvatarjotin (x1)
18	Sisäinen rasva-astia (x1)
19	Rasva-astia (x1)
20	Kääntöpyörän tukijalka / Taakse (x1)
21	Kääntöpyörän tukijalka / Eteen (x1)
22-1	Vasemman etutukijalan alaosa (x1)
22-2	Vasemman takatukijalan alaosa (x1)
23	Lukittuvat kääntöpyörät (x2)
24	Tukijalka / Taakse (x1)
25	Tukijalka / Eteen (x1)
26	Pyörä (x2)
27	Korin sivupaneeli (x2)
28	Korin takapaneeli (x1)
29	Korin etupaneeli (x1)

Osan numero	Kuvaus
30	Korin poikkipalkki M (x1)
31	Korin poikkipalkki L (x1)
32	Etuhyllyn vasen pidike (x1)
33	Etuhyllyn oikea pidike (x1)
34	Etuhylly (x1)
35	Kaapelikiinnikkeet (x1)
36	Virtajohto - F-pistoke (x1)
37	Virtajohto - G-pistoke (x1)
A	Ruuvi (x30)
B	Aluslevy (x30)
C	Lukkolevy (x30)
D	Ruuvi (x26)
E	Aluslevy (x4)
F	Pyörän akselitappi (x2)
G	Pyörän aluslevy (x2)
H	Pyörän sokkanaula (x2)
I	AA-paristo (x1)

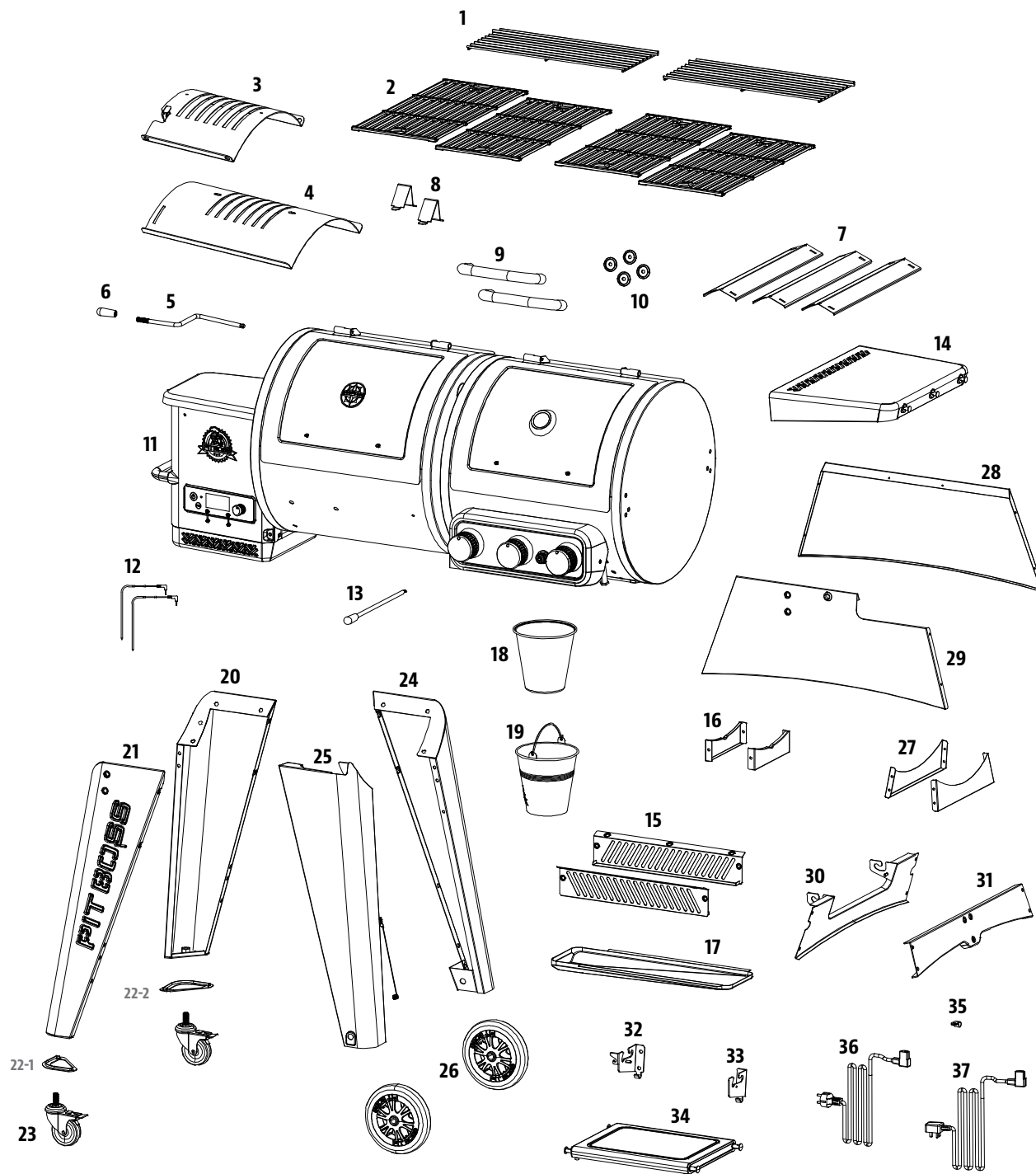
HUOMAUTUS: Jatkuva tuotekehityksestä johtuen osat voivat muuttua ilman etukäteisvaroitusta. Ota yhteyttä asiakaspalveluumme, jos osia puuttuu kokoamisvaiheessa.






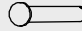



PB – SÄHKÖISET VAATIMUKSET
220-240 V, 50 Hz, 250 W, KOLMIPIIKKINEN MAADOITETTU PISTOKE

Kuvakaavio on seuraavalla sivulla.

MALLI	YKSIKKÖ KOOTTUNA (LxKxS)	YKSIKÖN PAINO	RUUANVALMISTUSALUE	LÄMPÖTILA-ALUE	DIGITAALISET OMINAISUUDET	
PB PB1230G	1759mm x 1195mm x 866mm / 69,2" x 47" x 34,1"	92 kg / 202,82 lb	Pääpellettiyksikkö - 2580,6 cm ² / 400 sq. in. Ylähylly - 1489 cm ² / 230,8 sq. in. YHTEENSÄ - 4069,6 cm² / 630,8 sq. in.	Pääkaasuysikkö - 2580,6 cm ² / 400 sq. in. Ylähylly - 1489 cm ² / 230,8 sq. in. YHTEENSÄ - 4069,6 cm² / 630,8 sq. in.	82-260°C / 180-500°F	Kymmenen lämpötilan esiasetusta, käynnistysprosessi, sähköinen sytytin
			GRILLI YHTEENSÄ - 8139,2 cm² / 1261,6 sq. in.			

OSAT JA TEKNISET TIEDOT



A		B		C		D		E	
F		G		H		I			

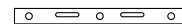
KOKOAMISEN VALMISTELU

Osia on kaikkialla kuljetuslaatikossa, myös grillin alla. Tarkista grillin osat ja laitteen kuplapakkaus, kun olet poistanut suojaavan kuljetuslaatikon. Poista kaikki paketointimateriaalit grillin sisältä ja ulkoa ennen kokoamista, ja tutki ja tarkista kaikki osat vertaamalla niitä osaluetteloon. Jos jokin osa puuttuu tai on vahingoittunut, älä yritä koota laitetta. Takuu ei kata kuljetusvahinkoja. Ota yhteyttä Pit Boss -asiakaspalveluun koskien osia.

www.pitboss-grills.com

TÄRKEÄÄ: Tämän laitteen asennusta helpottaa, jos sen tekee kaksi henkilöä, mutta se ei ole välttämätöntä.

Kokoamisessa tarvittavat työkalut: ruuvitaltta ja vesivaaka. *Työkalut eivät sisälly lähetykseen.*



KOKOAMISOHJEET

TÄRKEÄÄ: Suosittelemme, että luet kunkin vaiheen kokonaan ennen kokoamisvaiheen aloittamista. Älä kiristä ruuveja loppuun asti ennen kuin kaikki kyseiseen vaiheeseen kuuluvat ruuvit on asennettu. Helayhdistelmässä, jossa on lukkolaatta ja aluslevy tulee asentaa siten, että lukkolaatta on lähinnä ruuvien päätä.

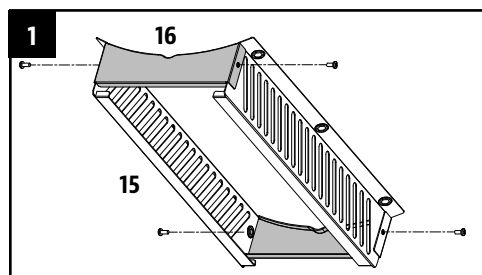
1. KOKOA RASVATARJOTTIMEN TUKI

Tarvittavat osat:

- 2 x Rasvatarjottimen tuki A (#15)
- 2 x Rasvatarjottimen tuki B (#16)
- 4 x Ruuvi (#D)

Asennus:

- Kiinnitä rasvatarjottimen tuki A rasvatarjottimen tukeen B neljällä ruuvilla.



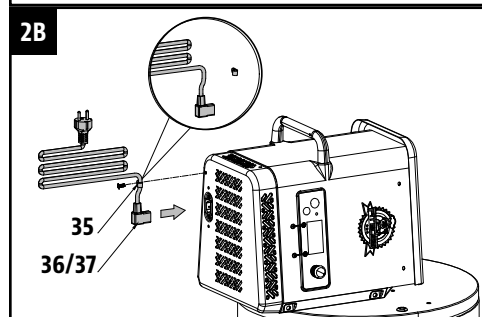
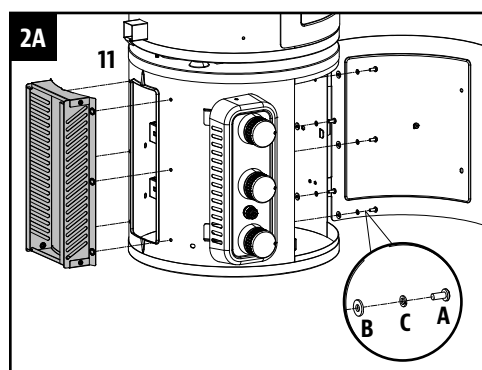
2. RASVATARJOTTIMEN KIINNITTÄMINEN PÄÄRUMPUUN

Tarvittavat osat:

- 1 x Päärumpu / Pellettisäiliökokonaisuus (#11)
- 6 x Ruuvi (#A)
- 6 x Aluslevy (#B)
- 6 x Lukkolevy (#C)
- 1 x Virtajohto (#36/ #37)
- 1 x Kaapelikiinnikkeet (#35)

Asennus:

- Aseta lattialle pahvinpala suojaamaan yksikköä naarmuuntumiselta. Laske pääruppu kyljelleen pahvin päälle siten, että pellettisäiliön pää on ylöspäin.
- Kiinnitä rasvatarjottimen tuki A päärummun lattiapuolelle kuuden ruuvien, aluslevyn ja lukkolevyn avulla. Katso kuva 2A.
- Vaihda virtajohto maahasi sopivaksi, jos se ei sovi pistorasiaan.
- Kiinnitä virtajohto pellettisäiliön pohjassa olevaan syvennykseen. Kiinnitä virtajohton pidike pellettisäiliön pohjaan aiemmin asennetulla ruuvilla. Katso kuva 2B.



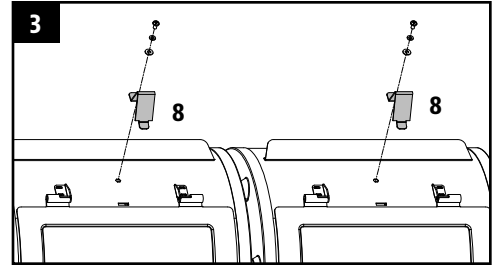
3. KANNEN PIDIKKEEN ASENTAMINEN

Tarvittavat osat:

2 x Kannen pidike (#8)

Asennus:

- Kiinnitä kannen pidike pöörönnän päälle kyseiseen kohtaan esiasennetun ruuvin avulla.



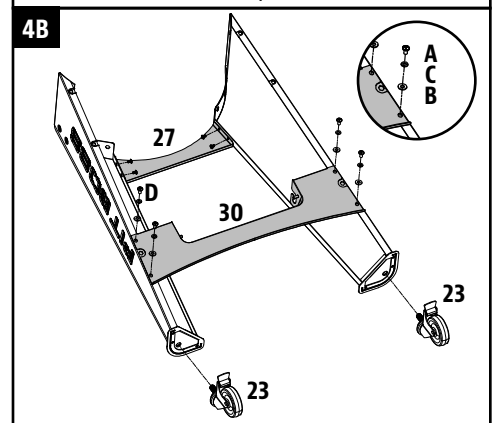
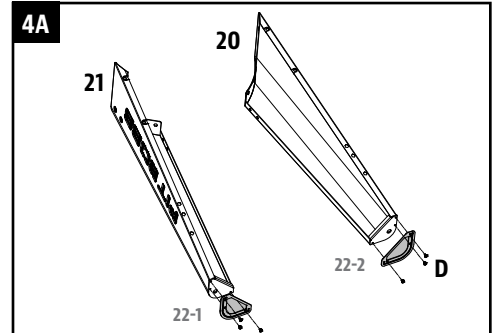
4. TUKILEVYJEN JA KÄÄNTÖPYÖRIEN KIINNITTÄMINEN

Tarvittavat osat:

1 x Kääntöpyörän tukijalka / Taakse (#20)
1 x Kääntöpyörän tukijalka / Eteen (#21)
1 x Vasemman etutukijalan alaosa (#22-1)
1 x Vasemman takatukijalan alaosa (#22-2)
1 x Korin sivupaneeli (#27)
1 x Korin poikkipalkki M (#30)
2 x Lukittuvat kääntöpyörät (#23)
4 x Ruuvi (#A)
4 x Aluslevy (#B)
4 x Lukkolevy (#C)
10 x Ruuvi (#D)

Asennus:

- Kiinnitä vasemman etutukijalan alaosa kääntöpyörällä varustettuun vasempaan etutukijalkaan ruuveilla. Kiinnitä vasemman takatukijalan alaosa kääntöpyörällä varustettuun vasempaan takatukijalkaan ruuveilla. Katso kuva 4A.
- Kiinnitä kääntöpyörillä varustetut etu- ja takatukijalat, jotka koottiin edellisessä vaiheessa, korin sivupaneelin kiinnityskohtaan ruuveilla (#D). Kiinnitä kortin poikkipalkki M edellisessä vaiheessa kuvattuun kokoonpanoon ruuveilla (#A), aluslevyn ja lukkolevyn avulla. Katso kuva 4B.



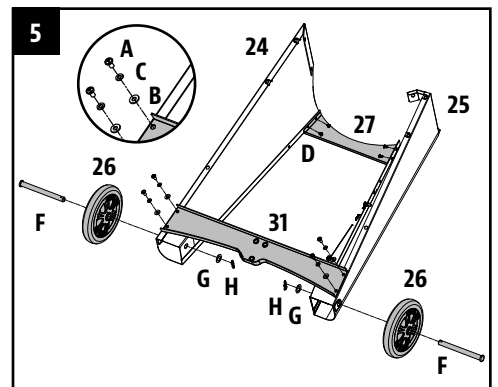
5. TUKILEVYJEN JA PYÖRIEN KIINNITTÄMINEN

Tarvittavat osat:

1 x Tukijalka / Taakse (#24)
1 x Tukijalka / Eteen (#25)
2 x Pyörä (#26)
1 x Korin sivupaneeli (#27)
1 x Korin poikkipalkki L (#31)
4 x Ruuvi (#A)
4 x Aluslevy (#B)
4 x Lukkolevy (#C)
4 x Ruuvi (#D)
2 x Pyörän akselitappi (#F)
2 x Pyörän aluslevy (#G)
2 x Pyörän sokkanaula (#H)

Asennus:

- Kiinnitä taka- ja etutukijalat korin sivupaneeliin ruuveilla (#D). Kiinnitä kortin poikkipalkki L edellisessä vaiheessa kuvattuun kokoonpanoon ruuveilla (#A), aluslevyn ja lukkolevyn avulla.
- Liitä iso pyörä tukijalkaan työntämällä pyörän akselitappi pyörän tukijalassa olevan reiän läpi. Kiinnitä lopuksi pyörän sokkanaulalla. Asenna toinen pyörä samalle sivulle samalla tavalla.



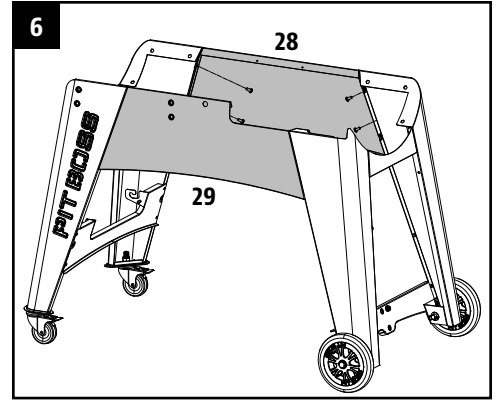
6. RUNGON KIINNITTÄMINEN

Tarvittavat osat:

- 1 x Korin takapaneeli (#28)
- 1 x Korin etupaneeli (#29)
- 8 x Ruuvi (#D)

Asennus:

- Asenna korin takapaneeli yksikön kahteen etummaiseen tukijalkaan. Kiinnitä käyttämällä kahta ruuvia molemmille puolille. Varmista, että tukilevyn tasainen puoli osoittaa ulospäin. Toista sama asennusvaihe kiinnittäaksesi korin etupaneelin levyn toisiin tukijalkoihin.



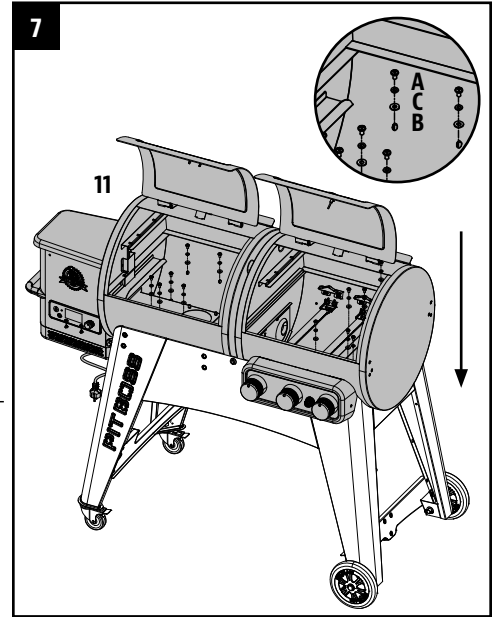
7. PÄÄRUMMUN KIINNITTÄMINEN KORIIIN

Tarvittavat osat:

- 1 x Päärumpu / Pellettisäiliökokonaisuus (#11)
- 12 x Ruuvi (#A)
- 12 x Aluslevy (#B)
- 12 x Lukkolevy (#C)

Asennus:

- Valmistele pääruppu kiinnitettäväksi koriin. Aseta kori päärummun viereen siten, että molemmat osoittavat samaan suuntaan. Lukitse korissa olevat kääntöpyörät. Valmistaudu nostamaan pääruppu korin päälle kahden henkilön voimin. Nostakaa pääruppu varovaisesti ylös ja laskekaa se hitaasti korin päälle siten, että toinen henkilö nostaa pellettisäiliön puolelta ja toinen rummun toiselta puolelta.
- Avaa seuraavaksi päärummun kansi. Säädä asentoa tarvittaessa siten, että päärummun ruuvien reiät osuvat koriin. Kun pääruppu on paikallaan, kiinnitä jokainen jalka siihen kolmen ruuvin, aluslevyn ja lukkolevyn avulla.



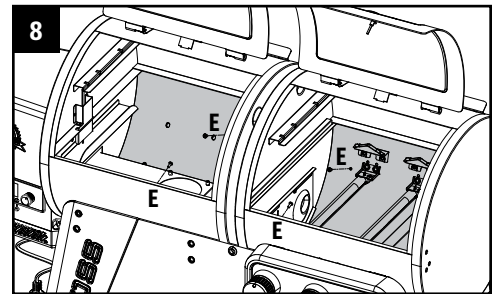
8. KORIPANEELIN KIINNITTÄMINEN GRILLIIN

Tarvittavat osat:

- 4 x Ruuvi (#E)

Asennus:

- Kiinnitä korin etu-/takapaneeli rumpuun neljällä ruuvilla.



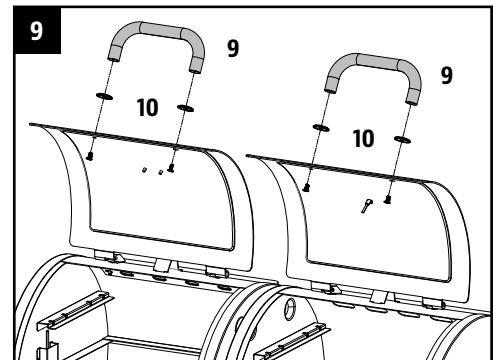
9. KANNEN KAHVAN ASENTAMINEN

Tarvittavat osat:

- 2 x Kannen kahva (#9)
- 4 x Kannen kahvan tiiviste (#10)

Asennus:

- Irrota kannen kahvasta esiasennetut ruuvit. Aseta rummun kannen sisäpuolelta käsin yksi ruuvi niin, että se työntyy esiin ulkopuolelle. Lisää ruuviin tiiviste. Kiristä ruuvi sitten käsin (sisäpuolelta) kannen kahvaan. Toista sama toiselle puolelle.



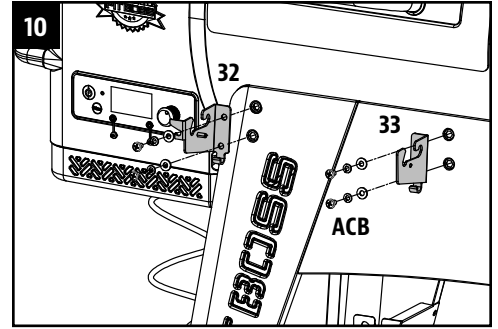
10. ETUHYLLYN PIDIKKEIDEN KIINNITTÄMINEN

Tarvittavat osat:

- 1 x Etuhyllyn vasen pidike (#32)
- 1 x Etuhyllyn oikea pidike (#33)
- 4 x Ruuvi (#A)
- 4 x Aluslevy (#B)
- 4 x Lukkolevy (#C)

Asennus:

- Kiinnitä yksi etuhyllyn pidike grillin rummun etupuolelle kahdella ruuvilla. Asenna molemmat ruuvit puoliväliin asti ja kiristä ne loppuun, kun molemmat ruuvit on kiinnitetty ja asetettu oikein. Toista sama asennusvaihe toiselle etuhyllyn pidikkeelle.



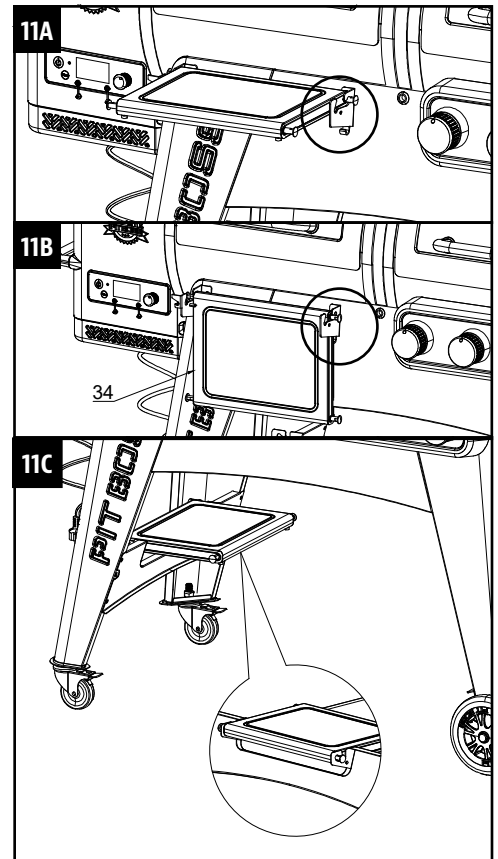
11. ETUHYLLYN ASENTAMINEN

Tarvittavat osat:

- 1 x Etuhylly (#34)

Asennus:

- Aseta etuhylly sen tukipidikkeiden päälle. Katso kuva 11A, jossa etuhylly on taitettu esiin.
- Katso kuva 11B, jossa etuhylly on taitettu pois tieltä.
- Etuhylly voidaan kiinnittää myös alimmaisten tukilevyjen päälle, jolloin sitä voi käyttää alahyllynä. Katso kuva 11C.



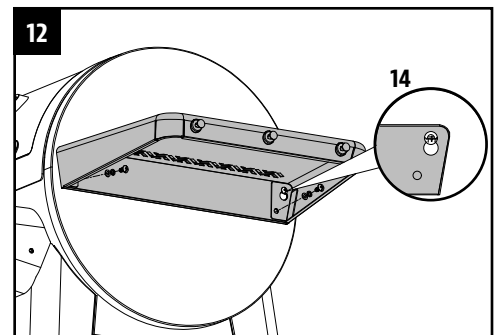
12. SIVUHYLLYN ASENTAMINEN

Tarvittavat osat:

- 1 x Sivuhylly (#14)

Asennus:

- Irrota kaksi päärummun sivuun esiasennettua ruuvia. Kiinnitä ensin sivuhylly ruuveihin, ja kiristä sitten kaksi irrotettua ruuvia paikalleen.
- Kiinnitä sivuhylly päärummun sivupaneeliin alta käsin kahden ruivin, aluslevyn ja lukkolevyn avulla.



13. GRILLIN OSIEN ASENTAMINEN

Tarvitavat osat:

- 1 x Liekkiparilan päälevy (#4)
- 1 x Liekkiparilan säädin (#3)
- 1 x Liekkiparilan säätöpalkki (#5)
- 1 x Liekkiparilan säätöpalkin kahva(#6)
- 1 x Savun säätöpalkki (#13)
- 3 x Lämpötelttä (#7)
- 4 x Posliinipäällysteinen, valurautainen ruuanvalmistusritilä (#2)
- 2 x Posliinipäällysteinen, teräksinen ylempi ruuanvalmistusteline (#1)

Asennus:

- Aseta liekkiparilan päälevy grillin pääosaan. Aseta liekkiparilan päälevy grillin pääosan oikealle puolelle rakennetun reunan päälle. Tämä reuna ohjaa rasvan rasva-astian nokkaa kohti. Liu'uta koko osa vasemmalle, jolloin liekkiparilan päälevyssä olevat kaksi aukkoa sopivat paloastian yläpuolella olevaan pyörästettyyn kielekkeeseen. Se asettuu paikalleen aavistukseen alaspäin kallistuvassa kulmassa. Katso kuva 13A.

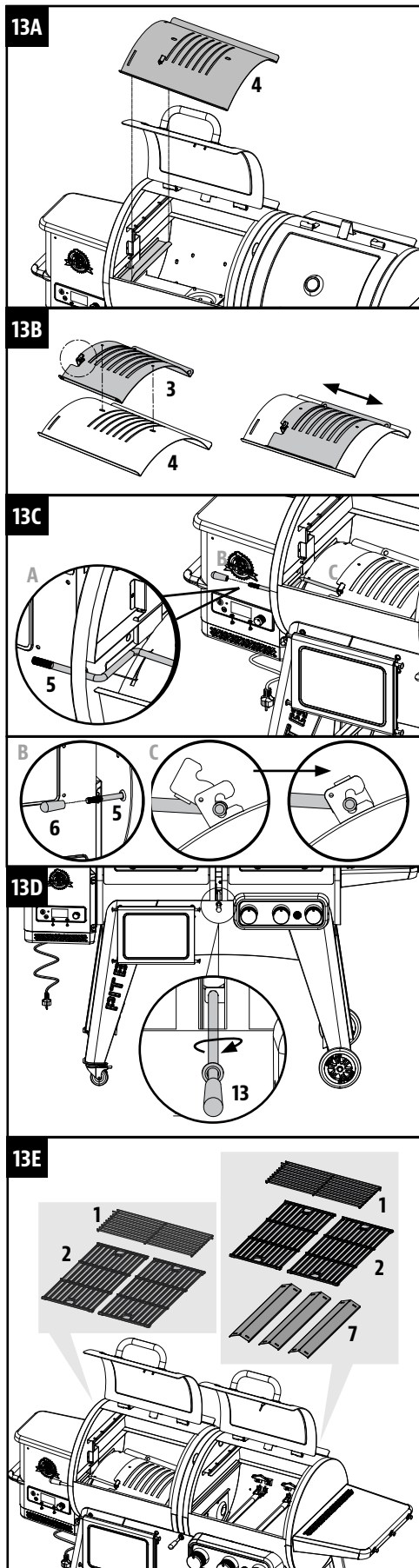
TÄRKEÄÄ: Jos päälevy on rummun pohjalla, se on asennettu väärin. Virheellinen asennus saattaa vaurioittaa grillin päärumpua.

- Aseta liekkiparilan säädin liekkiparilan päälevyn päälle siten, että se peittää lovetut reiät. Varmista, että ulkoneva läppä on vasemmalla ja että liekkiparilan säätimessä olevat kaksi tappia osuvat liekkiparilan päälevyssä oleviin reikiin, jotta suoran tai epäsuoran liekin valinta on helppoa ruuanvalmistuksen aikana. Molemmat liekkiparilan osat on käsitelty kevyesti öljyllä ruostumisen estämiseksi kuljetuksen aikana. Katso kuva 13B.

HUOMAUTUS: Kun liekin broilerin liukusäädin on auki ja keittämisen aikana käytetään suoraa liekkiä, älä jätä grilliä vartioimatta kauan.

- Aseta liekkiparilan säätöpalkki päärummun vasemmalla puolella olevan aukon läpi. Lisää liekkiparilan säätöpalkin kahva rummun ulkopuolella olevaan päähän. Liu'uta seuraavaksi säätöpalkin epätasainen pää liekkiparilan säätimen lukitusläppään, jotta pääset joustavasti käsiksi päälevyn liekkiparilan säätimeen. Katso kuva 13C.
- Kiinnitä savun säätöpalkki ruuveilla ja kiristä se paikalleen. Sen tulisi liukua tasaisesti edestä taakse. Katso kuva 13D.
- Aseta kolme lämpötelttä polttimon päälle. Aseta ruuanvalmistusritilät vierekkäin grillin pääosan sisällä olevien ritiläreunan päälle. Aseta ylempi ruuanvalmistusritilä grillin pääosan sisällä olevien yläreunan päälle. Ruuanvalmistusritilä lukittuu paikalleen. Katso kuva 13E.

HUOMAUTUS: Ruuanvalmistusritilöiden ruskistus-jagrillausominaisuuksien ylläpitämiseksi tarvitaan säännöllistä huoltoa ja ylläpitoa. Katso omistajan käyttöopas.



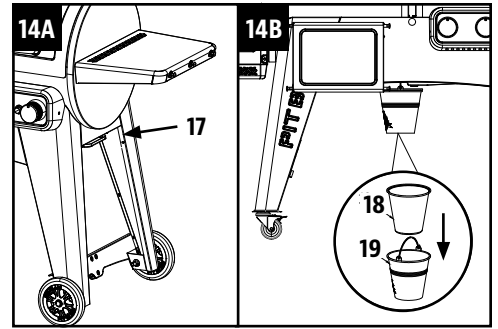
14. RASVA-ASTIAN ASENTAMINEN

Tarvittavat osat:

- 1 x Rasvatarjotin (#17)
- 1 x Sisäinen rasva-astia (#18)
- 1 x Rasva-astia (#19)

Asennus:

- Liu'uta rasva-tarjotin päärummun pohjalle. Katso kuva 14A.
- Aseta rasvakauhan linja rasvan kauhan sisään. Aseta rasva-astia päärummun päässä olevaan hakaan. Varmista, että se on suorassa rasvan läikkymisen estämiseksi. Katso kuva 14B.



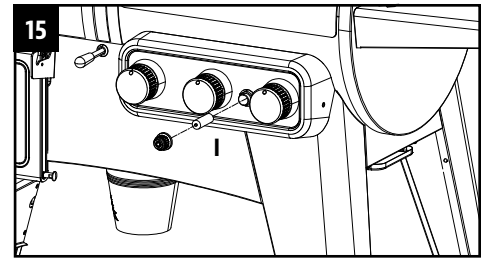
15. PARISTON ASETTAMINEN PAIKALLEEN

Tarvittavat osat:

- 1 x AA-paristo (#1)

Asennus:

- Kierrä sytyttimen korkki ohjauspaneelista. Aseta akku akkupaikkaan niin, että positiivinen pää (+) osoittaa ulospäin. Ruuvaa korkki takaisin paneeliin.
- Laitteen kokoaminen on nyt valmis.



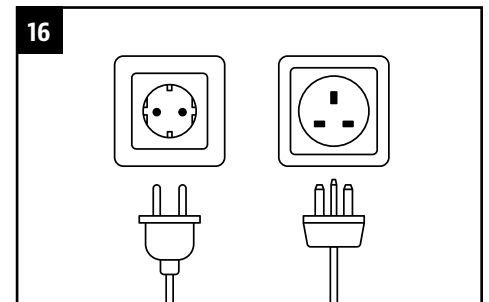
16. VIRTALÄHTEESEEN LIITTÄMINEN

HUOMAUTUS: Ennen kuin liität Pit Boss® -laitteesi sähköpistorasiaan, varmista, että lämmönsäädin on OFF-asennossa.

- **STANDARDIPISTORASIA**
Tämä laite vaatii 220–240 V, 50 Hz, 250 W virran. Siinä on oltava kolmipiikkinen maadoitettu pistoke.

TÄRKEÄÄ: Irrota laite virtalähteestä, kun se ei ole käytössä.

TÄRKEÄÄ: Katso käyttöohjeet omistajan käyttöoppaasta.



INNHOLDSFORTEGNELSE

Deler og spesifikasjoner	71
Klargjøring for montering.....	73
Monteringsinstruksjoner	
Montering av fettbrettstøtten.....	73
Montering av fettbrettet til hovedtønnen.....	73
Montering av lokkstopperen.....	74
Feste støtteplatene og styrehjulene	74
Feste støtteplatene og hjulene.....	74
Sikring av rammemonteringen.....	75
Montere hovedsynderen til vognen.....	75
Feste vognpanelet til grillen.....	75
Montering av lokkhåndtaket	75
Feste braketter for fronthyllen.....	76
Montere fronthyllen.....	76
Montere sidehyllen.....	76
Montere tilberedningskomponentene for grillen	77
Montere fettbøtte	78
Installing av batteriet	78
Koble til en strømkilde.....	78



MERKNAD OM OPPHAVSRETT

Copyright 2021. Med enerett. Ingen deler av denne håndboken kan kopieres, overføres, transkriberes eller oppbevares i et hentesystem i noen som helst form eller på noen måte uten uttrykkelig skriftlig tillatelse fra

DANSONS EUROPE

11 Rue Galvani Paris, Frankrike 75017

DANSONS NORD-AMERIKA

3411 North 5th Avenue, Suite 500, Phoenix, AZ, USA 85013

KUNDESERVICE

www.pitboss-grills.com

DELER OG SPESIFIKASJONER

Delenr	Beskrivelse
1	Øvre tilberedningsrist i stål med porselenbelegg (x2)
2	Tilberedningsrister i stål med porselenbelegg (x4)
3	Skyveplate for flammegrill (x1)
4	Hovedplate for flammegrill (x1)
5	Justeringsstang for flammegrillen (x1)
6	Håndtak til justeringsstang for flammegrillen (x1)
7	Varmetelt (x3)
8	Lokkstopper (x2)
9	Lokkhåndtak (x2)
10	Skruerammer for lokkhåndtak (x4)
11	Hovedsyylinder / beholdermontering (x1)
12	Steketermometer (x2)
13	Røykjusteringsstang (x1)
14	Sidehylle (x1)
15	Fettbrettstøtte A (x2)
16	Fettbrettstøtte B (x2)
17	Fettbrett (x1)
18	Innvendig fettbøtte (x1)
19	Fettbøtte (x1)
20	Støttebein for hjul/bak (x1)
21	Støttebein for hjul/foran (x1)
22-1	Justeringsstykke venstre støttebein foran (x1)
22-2	Justeringsstykke venstre støttebein bak (x1)
23	Låsehjul (x2)
24	Støttebein/bak (x1)
25	Støttebein/foran (x1)
26	Hjul (x2)
27	Sidepanel vogn (x2)
28	Bakpanel vogn (x1)
29	Frontpanel vogn (x1)
30	Tverrligger M for vogn (x1)
31	Tverrligger L for vogn (x1)

Delenr	Beskrivelse
32	Venstre brakett for fronthylle (x1)
33	Høyre brakett for fronthylle (x1)
34	Fronthylle (x1)
35	Kabelklemmene (x1)
36	Strømledning - F-plugg (x1)
37	Strømledning - G-plugg (x1)
A	Skruer (x30)
B	Skiver (x30)
C	Låseskiver (x30)
D	Skruer (x26)
E	Skiver (x4)
F	Hjulakselpinner (x2)
G	Hjulskiver (x2)
H	Hjulsaksesplinter (x2)
I	AA-batteri (x1)

MERK: På grunn av kontinuerlig produktutvikling kan delene endres uten forvarsel. Kontakt kundeservice hvis deler mangler ved montering av enheten.

PB – ELEKTRISKE KRAV
220-240 V, 50 Hz, 250 W, JORDET PLUGG MED TRE UTSTIKKERE

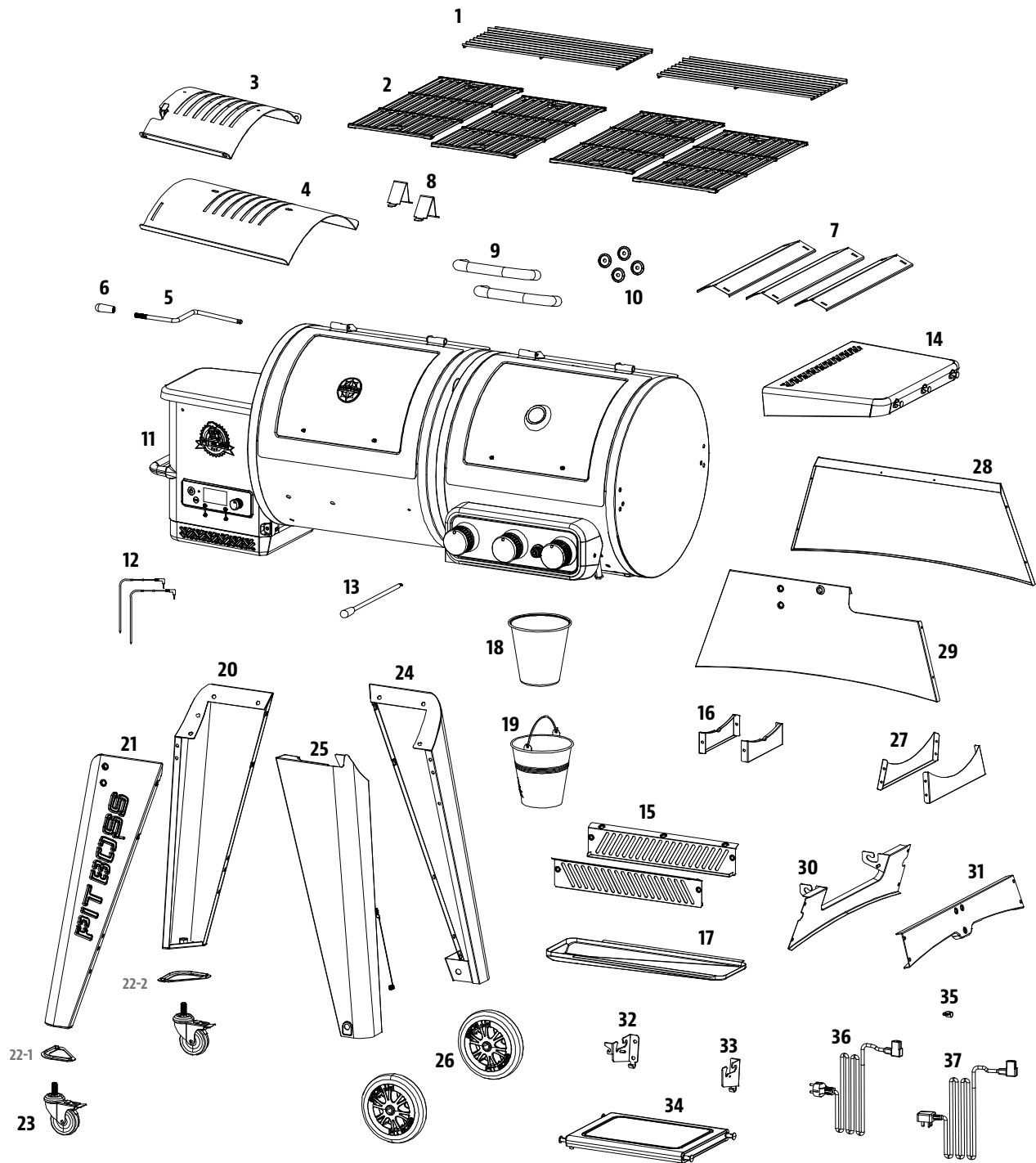
Illustrasjonsdiagram på neste side.










MODELL	MONTERT ENHET (B x H x D)	EN-HETSVEKT	TILBEREDNINGSMÅLE	TEMP. OMRÅDE	DIGITALE FUNKSJONER
PB PB1230G	1759mm x 1195mm x 866mm / 69,2" x 47" x 34,1"	92 kg / 202,82 lb	<i>Hovedpellet-</i> 2580,6 cm ² / 400 kvadrattommer <i>Øvre stativ-</i> 1489 cm ² / 230,8 kvadrattommer TOTALT - 4069,6 cm² / 630,8 kvadrattommer	82-260°C / 180-500°F	Ti forhåndsinnstilte temperaturer, oppstarts- og avkjølingssykluser, elektrisk tenner
			TOTAL GRILL - 8139,2 cm² / 1261,6 kvadrattommer		

NO

NORSK

DELER OG SPESIFIKASJONER



A		B		C		D		E	
F		G		H		I			

NO
NORSK

KLARGJØRING FOR MONTERING

Delene er plassert i hele forsendelsesesken, inkludert under grillen. Undersøk grillen, delene og plastpakken når du har tatt alt ut av den beskyttende forsendelsesesken. Fjern all emballasje fra inn- og utsiden av grillen før montering. Se deretter gjennom og undersøk alle delene ved å referere til delelisten. Hvis deler mangler eller er skadet, må du ikke prøve å montere enheten. Forsendelseskader er ikke dekket av garantien. Kontakt forhandleren eller Pit Boss® kundeservice for deler.

www.pitboss-grills.com

VIKTIG: For å forenkle montering og unngå personskade under monteringen, bør den utføres av to personer.

Nødvendige verktøy for montering: skrujern og vater. *Verktøy følger ikke med.*



MONTERINGSINSTRUKSJONER

VIKTIG: Du bør lese hvert enkelt trinn i sin helhet før du begynner montering etter instruksjonene. Ikke stram skruene helt før alle skruer for trinnet er montert. Enhetskombinasjoner som involverer en låseskive og skive, skal monteres med låseskiven nærmest skruhodet.

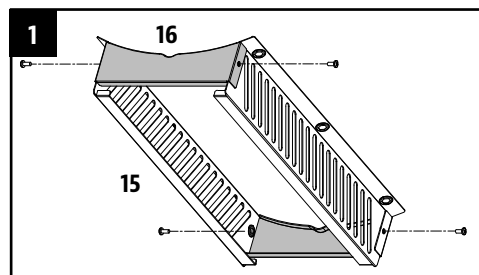
1. MONTERING AV FETTBRETTSTØTTEN

Nødvendige deler:

- 2 x Fettbrettstøtte A (#15)
- 2 x Fettbrettstøtte B (#16)
- 4 x Skruer (#D)

Montering:

- Monter fettbrettstøtten A til fettbrettstøtte B ved å bruke fire skruer



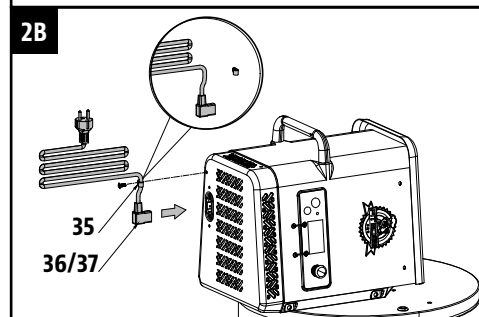
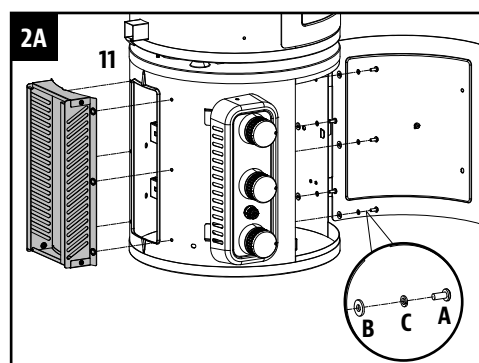
2. MONTERING AV FETTBRETTET TIL HOVEDTØNNEN

Nødvendige deler:

- 1 x Hovedsyylinder / beholdermontering (#11)
- 6 x Skruer (#A)
- 6 x Skiver (#B)
- 6 x Låseskiver (#C)
- 1 x Strømledning (#36/ #37)
- 1 x Kabelklemmene (#35)

Montering:

- Legg en papplate på gulvet for å unngå å skrape opp enheten. Legg hovedsyylinderen sidelengs med beholderenden vendt oppover på pappen.
- Monter fettbrettstøtten til gulvenden av hovedsyylinderen ved å bruke seks skruer, låseskiver og skiver. Se illustrasjon 2A.
- Bytt den ut med riktig strømledning for ditt land, hvis du finner ut at strømkabelen ikke passer i støpselet du bruker.
- Plasser kabelklemmene på riktig strømledning. Sett strømledningen inn i hulrommet i bunnen av beholderen. Fest kabelklemmen til bunnen av beholderen med den tidligere installerte skruen. Se illustrasjon 2B.



NO

NORSK

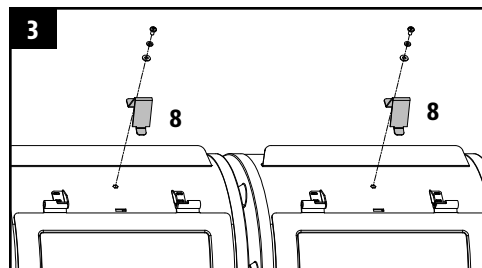
3. MONTERING AV LOKKSTOPPEREN

Nødvendige deler:

2 x Lokkstopper (#8)

Montering:

- Fest lokkstopperen til toppen av hovedsylinderen ved hjelp av den forhåndsmonterte skruen på toppen av hovedsylinderen.



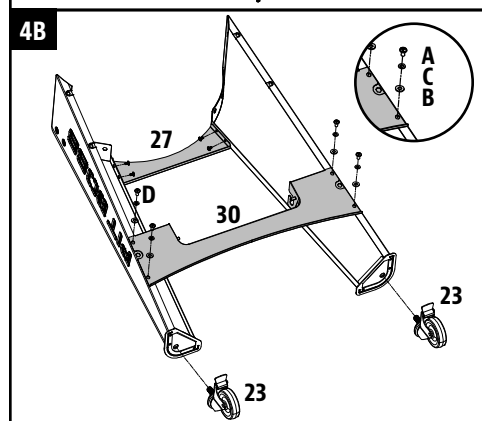
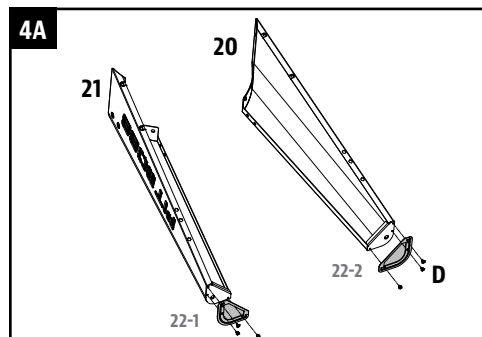
4. FESTE STØTTEPLATENE OG STYREHJULENE

Nødvendige deler:

1 x Støttebein for hjul/bak (#20)
1 x Støttebein for hjul/foran (#21)
1 x Justeringsstykke venstre støttebein foran (#22-1)
1 x Justeringsstykke venstre støttebein bak (#22-2)
1 x Sidepanel vogn (#27)
1 x Tverrligger M for vogn (#30)
2 x Låsehjul (#23)
4 x Skruer (#A)
4 x Skiver (#B)
4 x Låseskiver (#C)
10 x Skruer (#D)

Montering:

- Skru venstre frontstøtte bentrimmer til venstre støtte for styrehjul/front. Skru venstre bakstøtte bentrimmer til venstre støtte for styrehjul/bak. Se illustrasjon 4A.
- Fest støttebein for styrehjul /front og støttebein for styrehjul /bak som ble montert i forrige trinn med vognsidepaneltilkoblingen med skruer (#D). Fest vognkryssbjelken M på den monterte delen fra forrige trinn med skruer (#A), låseskiver og skiver. Se illustrasjon 4B.



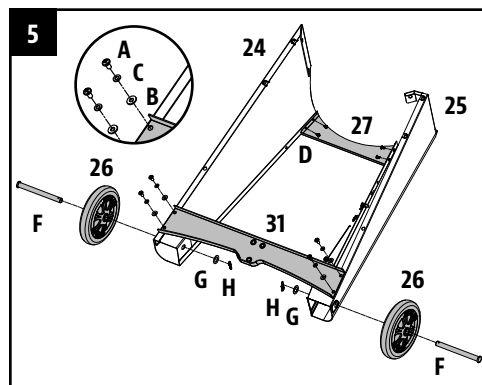
5. FESTE STØTTEPLATENE OG HJULENE

Nødvendige deler:

1 x Støttebein/bak (#24)
1 x Støttebein/foran (#25)
2 x Hjul (#26)
1 x Sidepanel vogn (#27)
1 x Tverrligger L for vogn (#31)
4 x Skruer (#A)
4 x Skiver (#B)
4 x Låseskiver (#C)
4 x Skruer (#D)
2 x Hjulakselpinner (#F)
2 x Hjulskiver (#G)
2 x Hjulaksespinter (#H)

Montering:

- Fest støttebein for styrehjul /bak og støttebein for styrehjul /front med skruer (#D). Fest vognkryssbjelken L på den monterte delen fra forrige trinn med skruer (#A), låseskiver og skiver.
- Fest det store hjulet til støttebeinet ved å sette inn hjulakselpinnen gjennom hullet i hjulets støttebein, og fest til slutt med hjulaksespinteren. Gjenta monteringen for det andre hjulet på samme side.



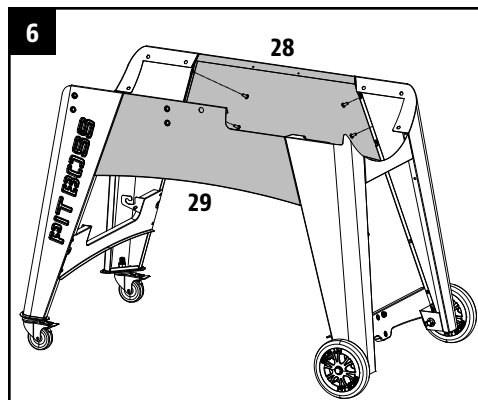
6. SIKRING AV RAMMEMONTERINGEN

Nødvendige deler:

- 1 x Bakpanel vogn (#28)
- 1 x Frontpanel vogn (#29)
- 8 x Skruer (#D)

Montering:

- Monter den bakre vognplaten til de to fremre støttebeina på enheten. Fest med to skruer på hver side. Pass på at den flate overflaten på støtteplaten vender utover. Gjenta samme montering for å feste den fremre vognplaten til de andre støttebeina.



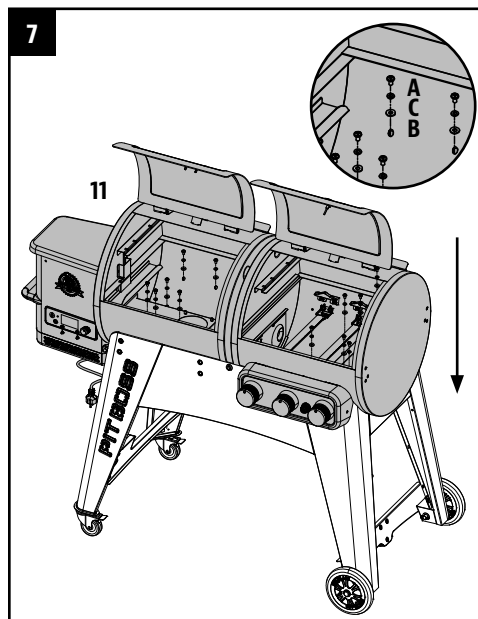
7. MONTERE HOVEDSYLINDEREN TIL VOGNEN

Nødvendige deler:

- 1 x Hovedsylander / beholdermontering (#11)
- 12 x Skruer (#A)
- 12 x Skiver (#B)
- 12 x Låseskiver (#C)

Montering:

- Klargjør hovedsylander for montering på vognen. Plasser vognen ved siden av hovedsylander med begge vendt i samme retning. Lås hjulene på vognen. Ved hjelp av en person til, klargjør for å løfte hovedsylander på vognen. Mens en person løfter fra hoppersiden, og den andre løfter fra motsatt sylindrende, løft hovedsylander forsiktig og senk den sakte ned på vognen.
- Åpne deretter lokket på hovedsylander. Juster rotasjonen etter behov for å rette inn skruerhullene til hovedsylander mot vognen. Når plassert, fest hvert enkelt bein til hovedsylander ved hjelp av tre skruer, skiver og låseskiver.



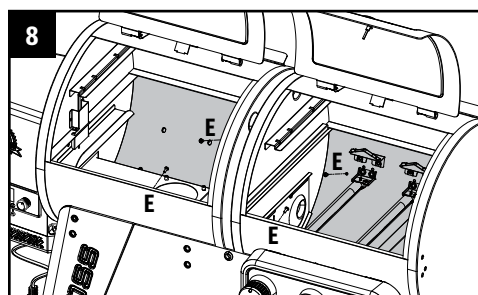
8. FESTE VOGNPANELET TIL GRILLEN

Nødvendige deler:

- 4 x Skruer (#E)

Montering:

- Sikre vognfronten / bakpanelet til sylinderen ved å bruke fire skruer.



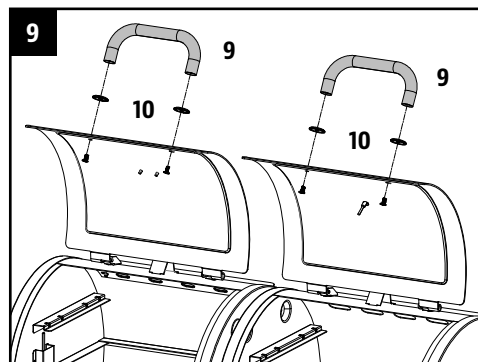
9. MONTERING AV LOKKHÅNDTAKET

Nødvendige deler:

- 2 x Lokkhåndtak (#9)
- 4 x Skruerammer for lokkhåndtak (#10)

Montering:

- Fjern de forhåndsmonterte skruene fra lokkhåndtaket. Skru inn én skruer fra innsiden av sylindreløkket som stikker ut på utsiden. Sett en dekselring på skruen. Stram deretter skruen (fra innsiden) på lokkhåndtaket for hånd. Gjenta for den andre siden.



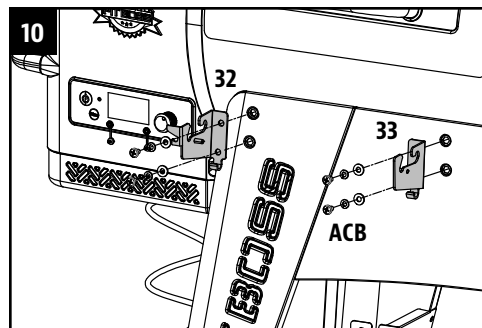
10. FESTE BRAKETTER FOR FRONTHYLLEN

Nødvendige deler:

- 1 x Venstre brakett for fronthylle (#32)
- 1 x Høyre brakett for fronthylle (#33)
- 4 x Skruer (#A)
- 4 x Skiver (#B)
- 4 x Låseskiver (#C)

Montering:

- Fest en fronthyllebrakett til fronten til grillsynderen ved å bruke to skruer. Installer hver skrue halvveis, stram den deretter helt når begge skruene er montert og justert ordentlig. Gjenta monteringen for den andre fronthyllebraketten.



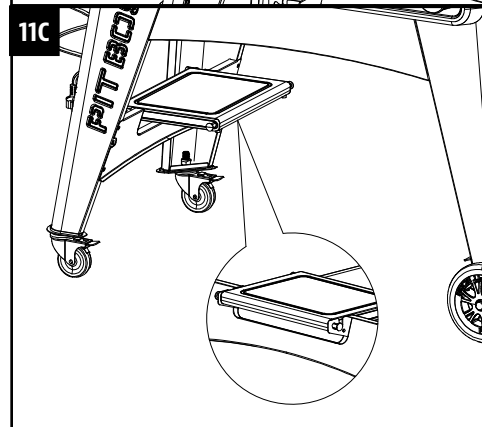
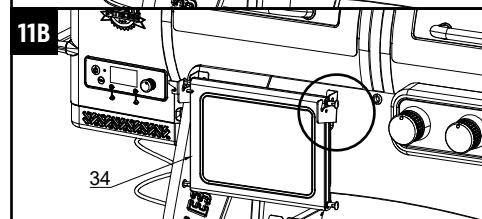
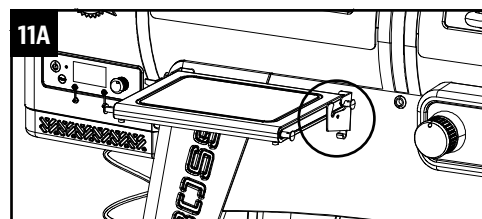
11. MONTERE FRONTHYLLEN

Nødvendige deler:

- 1 x Fronthylle (#34)

Montering:

- Sett fronthyllen på støttebrakettene for fronthyllen. Se illustrasjon 11A for utfoldet fronthylle.
- Se illustrasjon 11B for foldet fronthylle.
- Fronthyllen kan også plasseres på nedre støtteplater og brukes som bunnplate. Se illustrasjon 11C.



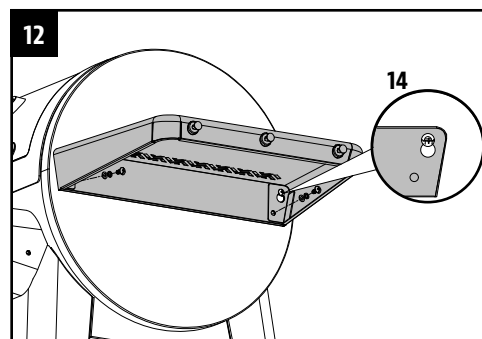
12. MONTERE SIDEHYLLEN

Nødvendige deler:

- 1 x Sidehylle (#14)

Montering:

- Løsne de to forhåndsmonterte skruene fra siden av hovedsynderen. Hekt sidehyllen på skruene først og fest deretter de to skruene som er løsnet på forhånd.
- Fra undersiden festes sidehyllen på sidepanelet til hovedsynderen med to skruer, skiver og låseskiver.



13. MONTERE TILBEREDNINGSKOMPONENTENE FOR GRILLEN

Nødvendige deler:

- 1 x Hovedplate for flammegrill (#4)
- 1 x Skyveplate for flammegrill (#3)
- 1 x Justeringsstang for flammegrillen (#5)
- 1 x Håndtak til justeringsstang for flammegrillen (#6)
- 1 x Røykjusteringsstang (#13)
- 3 x Varmetelt (#7)
- 4 x Tilberedningsrister i stål med porselenbelegg (#2)
- 2 x Øvre tilberedningsrist i stål med porselenbelegg (#1)

Montering:

- Sett inn hovedplaten for flammegrillen i hovedgrillen. La hovedplaten for flammegrillen hvile på den innebygde kanten (til høyre på innsiden) i hovedgrillen som fører fett mot tuten til fettbøtten. Skyv hele stykket til venstre side, og de to spaltene på flammegrillens hovedplate skal passe inn i den avrundede kanten over brennpotten. Den er festet i en lett nedovervendt vinkel. Se illustrasjon 13A.

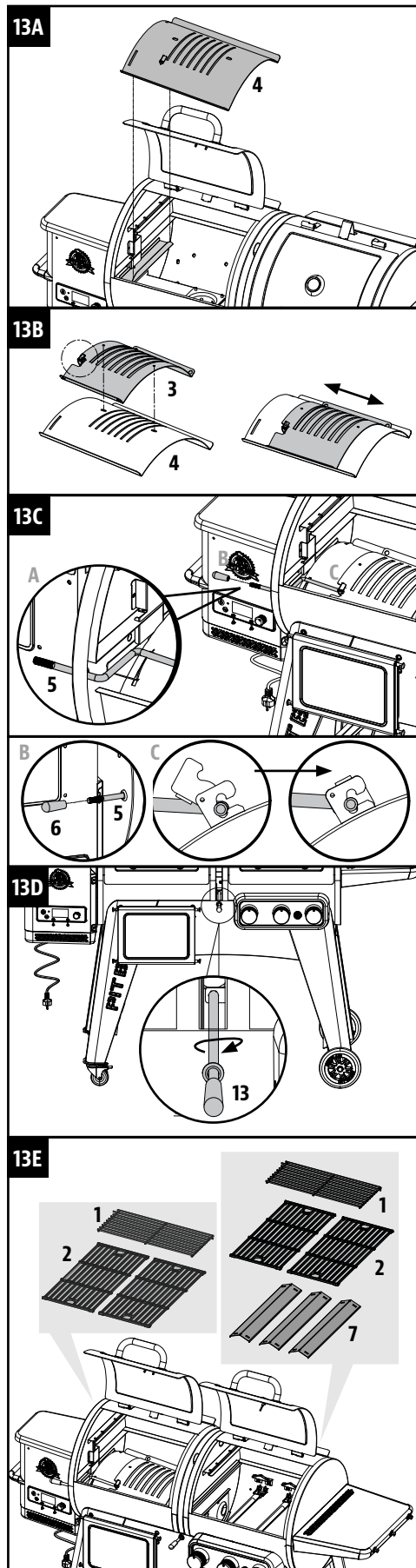
VIKTIG: Hvis hovedplaten hviler på sylindrbasen, er den montert feil. Dårlig installasjon kan føre til skade på hovedsynderen for flammegrillen.

- Plasser skyveplaten for flammegrillen oppå hovedplaten for flammegrillen slik at den dekker sporåpningene. Forsikre deg om at den hevede tappen er til venstre og at de to pinnene i bunnen av flammegrillens skyveplate plasseres i hullene i flammegrillens hovedplate for enkelt å justere for direkte og indirekte flamme når du steker. Begge delene for flammegrillen er påført et tynt oljelag ved forsendelse for å unngå rust. Se illustrasjon 13B.

MERKNAD: Når glidebryteren er åpen og en direkte flamme brukes mens du steker, må du ikke la grillen være uten tilsyn på noen tid.

- Sett inn justeringsstangen for flammegrillen gjennom åpningshullet på venstre side av hovedsynderen. Sett på håndtaket for flammegrillens justeringsstang på den enden som er utenfor sylindren. Skyv deretter enden av justeringsstangen med hakk inn i låsefliken på skyveplaten for flammegrillen slik at du får justerbar tilgang til flammegrillens skyveplate på hovedplaten. Se illustrasjon 13C.
- Skru til røykjusteringsbryteren og stram den til. Bør gli jevnt frem og tilbake. Se illustrasjon 13D.
- Plasser de tre varmeteltene på toppen av brenneren. Plasser stekeristene ved siden av hverandre på ristkanten inni hovedgrillen. Plasser den øverste stekeristen på den øverste kanten inni hovedgrillen. Stekeristen vil låses på plass. Se illustrasjon 13E.

MERK: Jevnlig stell og vedlikehold er nødvendig for å opprettholde stekte- og grillytelsen til stekeristene. Se brukerhåndboken.



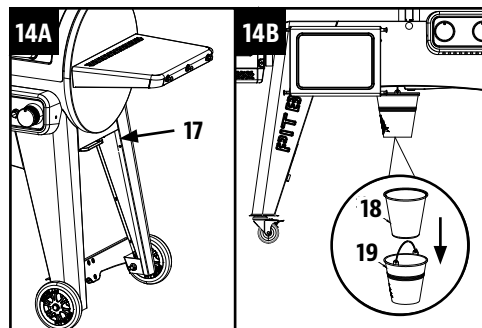
14. MONTERE FETTBØTTE

Nødvendige deler:

- 1 x Fettbrett (#17)
- 1 x Innvendig fettbøtte (#18)
- 1 x Fettbøtte (#19)

Montering:

- Skyv fettbrettet inn i bunnen av hovedsylinderen. Se illustrasjon 14A.
- Sett inn fettbøtteforingen inne i fettbøtten. Plasser fettbøtten på kroktuten på bunnen av hovedsylinderen. Pass på at den er i vater for å unngå fettspøl. Se illustrasjon 14B.



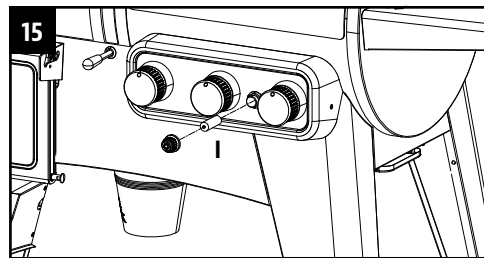
15. INSTALLING AV BATTERIET

Nødvendige deler:

- 1 x AA-batteri (#1)

Montering:

- Skru løs tenningsdekslet fra kontrollpanelet. Sett batteriet inn i batterisporet med den positive enden (+) vendt utover. Skru hetten tilbake på panelet.
- Enheten er nå ferdig montert.



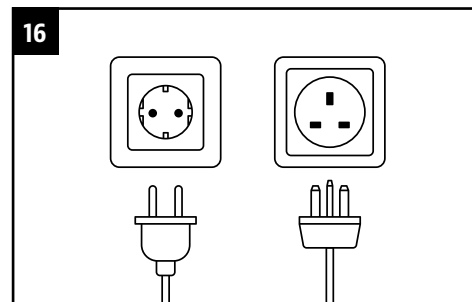
16. KOBLE TIL EN STRØMKILDE

MERK: Før du kobler Pit Boss®-enheten til en stikkontakt, må du passe på at knotten for temperaturkontroll står i posisjonen OFF (AV).

- **STANDARDKONTAKT**
Dette apparatet bruker 220–240 V, 50 Hz, 250 W. Det må være en jordet plugg med tre utstikkere.

VIKTIG: Koble enheten fra strømkilden når den ikke er i bruk.

VIKTIG: Se brukerhåndboken for bruksanvisninger



SPIS TREŚCI

Części i specyfikacje	80
Przygotowanie do montażu.....	82
Instrukcje montażu	
Montaż podstawki do tacy na tłuszcz	82
Mocowanie tacy na tłuszcz do korpusu beczkowego	82
Instalowanie zatrzasku pokrywy.....	83
Montaż podstawek mocujących i kółek samonastawnych.....	83
Montaż podstawek mocujących i kółek	84
Zabezpieczenie ramy nośnej.....	84
Mocowanie korpusu beczkowego do wózka	85
Montaż podstawek mocujących do grilla	85
Instalowanie uchwytu pokrywy	85
Mocowanie wsporników półki przedniej	86
Instalowanie półki przedniej.....	86
Instalowanie półki bocznej.....	86
Instalowanie elementów grilla do przyrządzenia potraw.....	87
Instalowanie wiadra na tłuszcz	88
Instalowanie baterii	88
Podłączanie do źródła zasilania.....	88



INFORMACJA O PRAWACH AUTORSKICH

Copyright 2021. Wszelkie prawa zastrzeżone. Żadna część niniejszej instrukcji nie może być powielana, przesyłana, przepisywana czy też zapisywana w systemach wyszukiwania, niezależnie od formy lub sposobu wykonania tego typu działań, bez wyraźnej zgody pisemnej

DANSONS EUROPA

11 Rue Galvani Paryż, Francja 75017

DANSONS NORTH AMERICA

3411 North 5th Avenue, Suite 500, Phoenix, AZ, USA 85013

OBSŁUGA KLIENTA

www.pitboss-grills.com

PL

POLSKI

CZĘŚCI I SPECYFIKACJE

Nr części	Opis
1	Górny ruszty stalowy z powłoką porcelanową (x2)
2	Stalowy ruszt do gotowania z powłoką żeliwną (x4)
3	Zasłona płomienia (x1)
4	Płyta główna do grillowania na ogniu (x1)
5	Pręt do regulacji zasłony grillowania na ogniu (x1)
6	Uchwyt pręta do regulacji zasłony grillowania na ogniu (x1)
7	Osłona palnika (x3)
8	Zatrzask pokrywy (x2)
9	Uchwyt pokrywy (x2)
10	Zaślepka uchwytu pokrywy (x4)
11	Korpus beczkowy / konstrukcja ze zbiornikiem (x1)
12	Termosonda do mięsa (x2)
13	Drażek do regulacji dymu (x1)
14	Półka boczna (x1)
15	Podstawka do tacy na tłuszcz A (x2)
16	Podstawka do tacy na tłuszcz B (x2)
17	Taca na tłuszcz (x1)
18	Wewnętrzna część wiadra na tłuszcz (x1)
19	Wiadro na tłuszcz (x1)
20	Noga z kółkiem samonastawnym / tył (x1)
21	Noga z kółkiem samonastawnym / przód (x1)
22-1	Spód lewej przedniej nogi (x1)
22-2	Spód lewej tylnej nogi (x1)
23	Kółka samonastawne z blokadą (x2)
24	Noga / tył (x1)
25	Noga / przód (x1)
26	Kółko (x2)
27	Boczny panel wózka (x2)
28	Tyłny panel wózka (x1)
29	Przedni panel wózka (x1)
30	Belka poprzeczna wózka M (x1)
31	Belka poprzeczna wózka L (x1)

Nr części	Opis
32	Lewy wspornik półki przedniej (x1)
33	Prawo wspornik półki przedniej (x1)
34	Półka przednia (x1)
35	Klipsy mocujące (x1)
36	Przewód zasilający - wtyczka F (x1)
37	Przewód zasilający - wtyczka G (x1)
A	Śruba (x30)
B	Podkładki (x30)
C	Podkładka zabezpieczająca (x30)
D	Śruba (x26)
E	Podkładka (x4)
F	Sworzeń zwrotnicy do koła (x2)
G	Podkładka do koła (x2)
H	Zawlecza do koła (x2)
I	Bateria AA (x1)

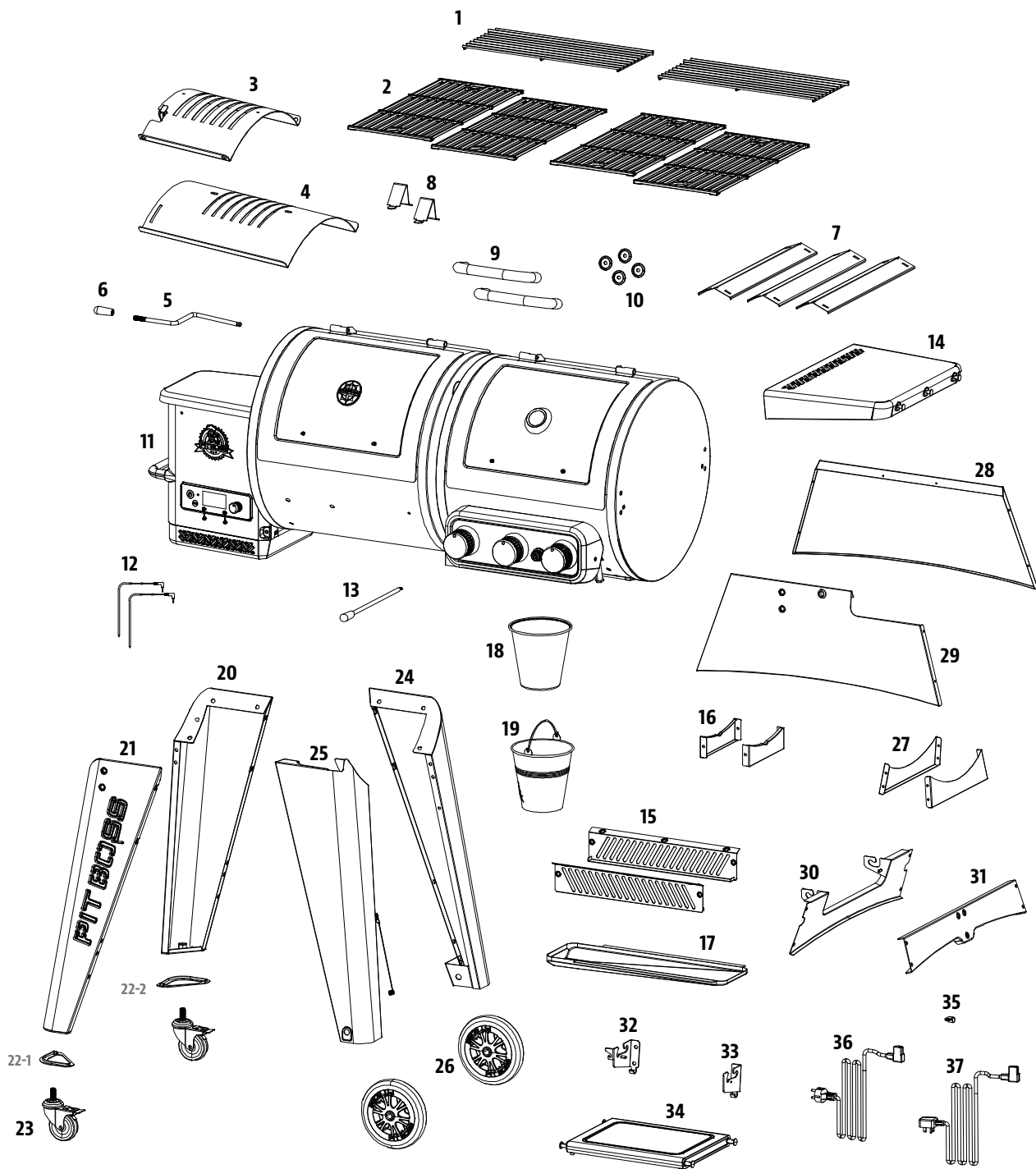
UWAGA: Ze względu na nieustanny rozwój produktu jego części mogą zostać zmienione bez uprzedzenia. Skontaktuj się z działem obsługi klienta, jeżeli zauważysz brak części podczas montażu urządzenia.

PB – WYMAGANIA ELEKTRYCZNE
220-240 V, 50 Hz, 250 W, TRZYSTYKOWA WTYCZKA Z UZIEMIENIEM

Ilustracja ze schematem na następnej stronie.

MODEL	WYMIARY (SxWxG)	WAGA	STREFA GRILLOWANIA		ZAKRES TEMP.	FUNKCJE CYFROWE
PB PB1230G	1759mm x 1195mm x 866mm / 69,2" x 47" x 34,1"	92 kg / 202,82 lb	Główny pojemnik na pellet - 2580,6 cm ² / 400 in ² Ruszt górny - 1489 cm ² / 230,8 in ² OGÓŁEM - 4069,6 cm² / 630,8 in²	Część główna na gaz - 2580,6 cm ² / 400 in ² Ruszt górny - 1489 cm ² / 230,8 in ² OGÓŁEM - 4069,6 cm² / 630,8 in²	82-260°C / 180-500°F	Dziesięć ustawień temperatury, cykle rozruchu i chłodzenia, zapalnik elektryczny
			OGÓŁEM GRILL - 8139,2 cm² / 1261,6 in²			

CZĘŚCI I SPECYFIKACJE



A		B		C		D		E	
F		G		H		I			

PL
POLSKI

PRZYGOTOWANIE DO MONTAŻU

Elementy produktu znajdują się w różnych miejscach opakowania transportowego, także pod grillem. Po wyjęciu grilla, jego części i sprzętu w opakowaniu blisterowym z ochronnego opakowania transportowego sprawdź ich stan. Przed montażem usuń wszystkie wewnętrzne i zewnętrzne fragmenty opakowania grilla, a następnie przejrzyj wszystkie elementy i upewnij się, że pokrywają się z listą części. W przypadku braku lub uszkodzenia jakiegokolwiek części, nie podejmuj żadnych prób demontażu lub modyfikacji. Gwarancja nie obejmuje szkód powstałych w trakcie transportu. Aby uzyskać części, skontaktuj się ze sprzedawcą lub z działem obsługi klienta Pit Boss®.

www.pitboss-grills.com

WAŻNE: W celu ułatwienia instalacji i uniknięcia urazów warto skorzystać z pomocy innej osoby podczas montażu tego urządzenia. .

Narzędzia potrzebne do montażu: wkrętak i poziomnica. *Narzędzia nie wchodzą w skład zestawu.*



INSTRUKCJE MONTAŻU

WAŻNE: Zaleca się dokładne przeczytanie każdego kroku przed rozpoczęciem montażu zgodnie z instrukcją. Nie dokręcaj śrub całkowicie, dopóki dla danego kroku nie zostaną zainstalowane wszystkie śruby. Przy instalacji elementów połączonych, takich jak podkładka zabezpieczająca i podkładka, należy zwrócić uwagę, by podkładka zabezpieczająca znajdowała się bliżej łba śruby

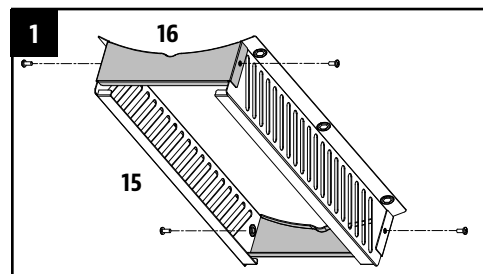
1. MONTAŻ PODSTAWKI DO TACY NA TŁUSZCZ

Wymagane części:

- 2 x Podstawka do tacy na tłuszcz A (#15)
- 2 x Podstawka do tacy na tłuszcz B (#16)
- 4 x Śruba (#D)

Montaż:

- Przymocuj podstawkę tacy na tłuszcz A do podstawki tacy na tłuszcz B, korzystając z dwóch śrubami.



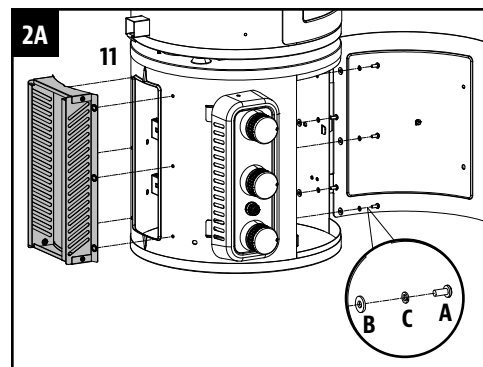
2. MOCOWANIE TACY NA TŁUSZCZ DO KORPUSU BECZKOWEGO

Wymagane części:

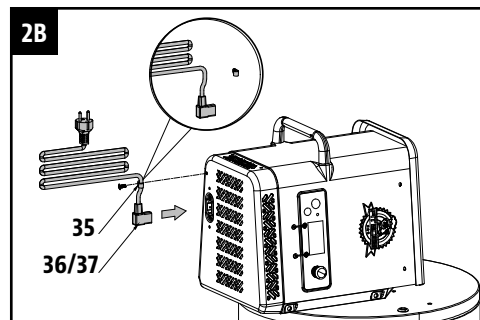
- 1 x Korpus beczkowy / konstrukcja ze zbiornikiem (#11)
- 6 x Śruba (#A)
- 6 x Podkładki (#B)
- 6 x Podkładka zabezpieczająca (#C)
- 1 x Przewód zasilający (#36/ #37)
- 1 x Klipsy mocujące (#35)

Montaż:

- Umieść na podłodze kawałek kartonu, by ochronić powierzchnię sprzętu przed zarysowaniem. Na kartonie połóż na boku korpus beczkowy, tak by zbiornik był skierowany ku górze.
- Przymocuj podstawkę do tacy na tłuszcz do części od strony podłogi korpusu beczkowego, używając sześciu śrub, podkładek oraz podkładek zabezpieczających. Patrz ilustracja 2A.



- Jeśli okaże się, że przewód zasilający nie pasuje do gniazdka, wymień go na przewód odpowiedni dla Twojego kraju.
- Umieść klipsy mocujące na właściwym przewodzie zasilającym. Wsuń przewód zasilający do zagłębienia na spodzie zbiornika. Przymocuj klipsy mocujące do dna zbiornika za pomocą uprzednio wykręconej śruby. Patrz ilustracja 2B.



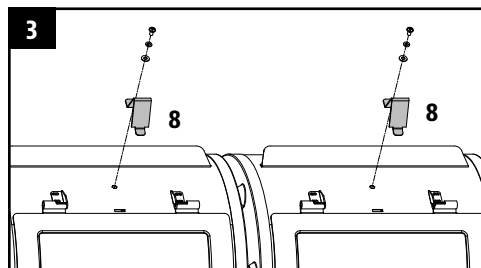
3. INSTALOWANIE ZATRZASKU POKRYWY

Wymagane części:

- 2 x Zatrzask pokrywy (#8)

Montaż:

- Zamontuj zatrzask pokrywy w górnej części korpusu beczkowego, używając przymocowanej do niego wcześniej śruby.



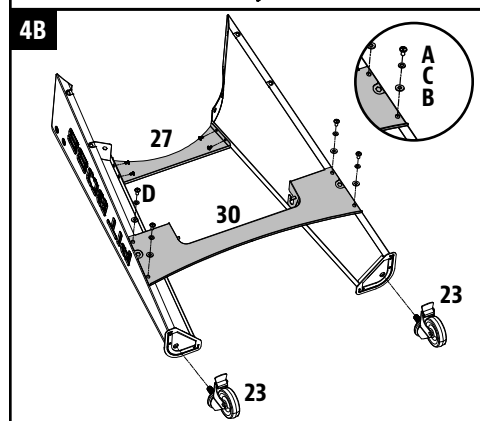
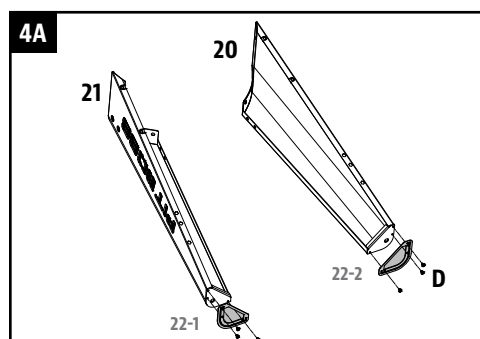
4. MONTAŻ PODSTAWEK MOCUJĄCYCH I KÓŁEK SAMONASTAWNYCH

Wymagane części:

- 1 x Noga z kółkiem samonastawnym / tył (#20)
 1 x Noga z kółkiem samonastawnym / przód (#21)
 1 x Spód lewej przedniej nogi (#22-1)
 1 x Spód lewej tylnej nogi (#22-2)
 1 x Boczny panel wózka (#27)
 1 x Belka poprzeczna wózka M (#30)
 2 x Kółka samonastawne z blokadą (#23)
 4 x Śruba (#A)
 4 x Podkładki (#B)
 4 x Podkładka zabezpieczająca (#C)
 10 x Śruba (#D)

Montaż:

- Przykręć spód do lewej przedniej nogi z kółkiem samonastawnym. Screw Left Przykręć spód do lewej tylnej nogi z kółkiem samonastawnym. Pokazano to na ilustracji 4A.
- Przykręć tylną i przednią nogę z kółkiem samonastawnym zamontowaną w poprzednim kroku do bocznego panelu wózka śrubami (#D). Przykręć belkę poprzeczną wózka M do części zamontowanej w poprzednim kroku śrub (#A), podkładek oraz podkładek zabezpieczających. Pokazano to na ilustracji 4B.



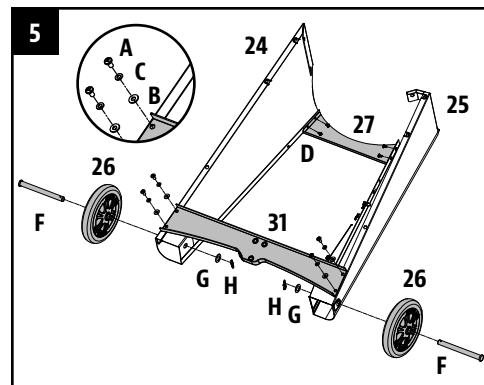
5. MONTAŻ PODSTAWEK MOCUJĄCYCH I KÓŁEK

Wymagane części:

- 1 x Noga / ty (#24)
- 1 x Noga / przód (#25)
- 2 x Kółko (#26)
- 1 x Boczny panel wózka (#27)
- 1 x Belka poprzeczna wózka L (#31)
- 4 x Śruba (#A)
- 4 x Podkładki (#B)
- 4 x Podkładka zabezpieczająca (#C)
- 4 x Śruba (#D)
- 2 x Sworzeń zwrotnicy do koła (#F)
- 2 x Podkładka do koła (#G)
- 2 x Zawleczka do koła (#H)

Montaż:

- Przykręć nogę tylną i przednią do bocznego panelu wózka śrubami (#D). Przykręć belkę poprzeczną wózka L do części zamontowanej w poprzednim kroku śrub (#A), podkładek oraz podkładek zabezpieczających.
- Aby przymocować koło do nogi, wsuń sworzeń zwrotnicy do koła przez otwór w tej nodze, a następnie zabezpiecz koło zawleczką. Powtórz te czynności w przypadku drugiego koła po tej samej stronie.



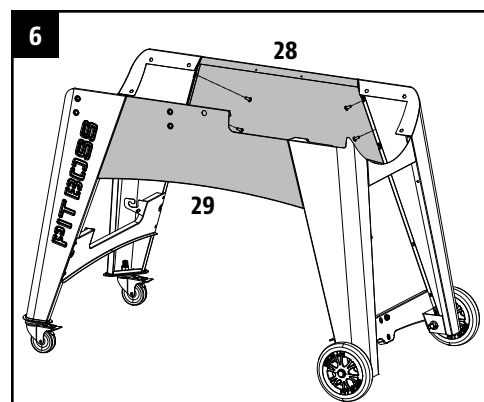
6. ZABEZPIECZENIE RAMY NOŚNEJ

Wymagane części:

- 1 x Tylny panel wózka (#28)
- 1 x Przedni panel wózka (#29)
- 8 x Śruba (#D)

Montaż:

- Przymocuj tylny panel wózka do dwóch przednich nóg urządzenia. Dokręć, używając dwóch śrub po każdej stronie. Upewnij się, że płaska strona podstawki mocującej jest skierowana na zewnątrz. Powtórz te same czynności, aby zamontować przednią płytkę panelu wózka do innych nóg.



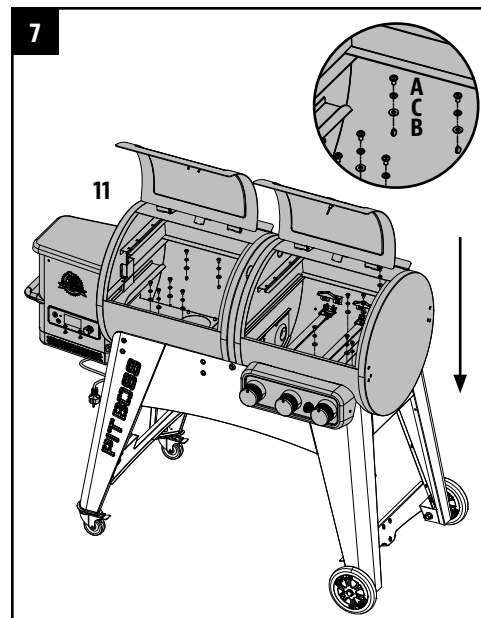
7. MOCOWANIE KORPUSU BECZKOWEGO DO WÓZKA

Wymagane części:

- 1 x Korpus beczkowy / konstrukcja ze zbiornikiem (#11)
- 12 x Śruba (#A)
- 12 x Podkładki (#B)
- 12 x Podkładka zabezpieczająca (#C)

Montaż:

- Przygotuj korpus beczkowy do montażu na wózku. Ustaw wózek obok korpusu beczkowego w taki sposób, aby oba te elementy były zwrócone w tym samym kierunku. Zablokuj kółka samonastawne wózka. Przygotuj się do przeniesienia korpusu beczkowego na wózek z pomocą drugiej osoby. W czasie, gdy jedna osoba będzie unosić korpus od strony zbiornika, druga powinna unosić go z drugiej strony. Podniesiony korpus należy powoli i ostrożnie ustawić na wózku.
- Następnie otwórz pokrywę korpusu beczkowego. Delikatnie dostosuj położenie korpusu na wózku, aby wyrównać otwory na śruby. Po odpowiednim ustawieniu przymocuj każdą z nóg do korpusu beczkowego, korzystając z trzech śrub, podkładek oraz podkładek zabezpieczających.



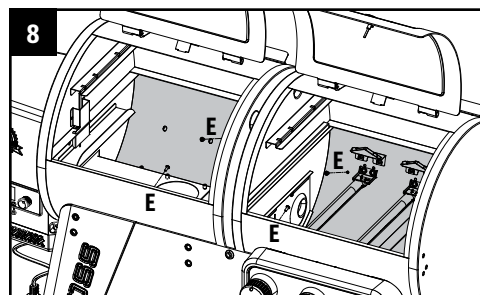
8. MONTAŻ PODSTAWEK MOCUJĄCYCH DO GRILLA

Wymagane części:

- 4 x Śruba (#E)

Montaż:

- Przymocuj śrubami przedni i tylny panel wózka do korpusu beczkowego.



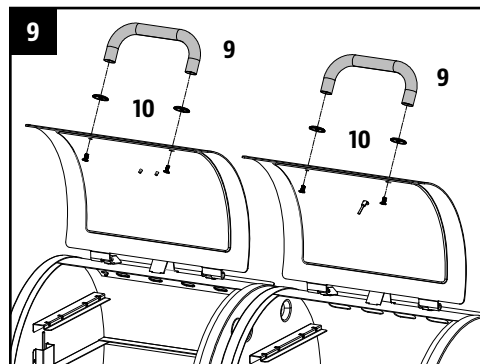
9. INSTALOWANIE UCHWYTU POKRYWY

Wymagane części:

- 2 x Uchwyt pokrywy (#9)
- 4 x Zaślepka uchwytu pokrywy (#10)

Montaż:

- Wyjmij zamocowane wcześniej śruby z uchwytu pokrywy. Przeprowadź jedną śrubę od środka korpusu beczkowego przez jego pokrywę, tak by wystawała na zewnątrz. Nałóż zaślepkę na śrubę. Następnie przymocuj śrubę ręcznie (od środka) do uchwytu pokrywy. Powtórz opisane czynności po drugiej stronie.



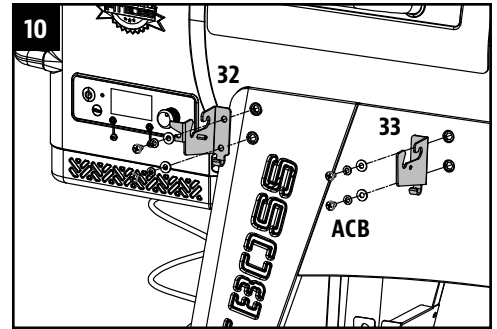
10. MOCOWANIE WSPORNIKÓW PÓŁKI PRZEDNIEJ

Wymagane części:

- 1 x Lewy wspornik półki przedniej (#32)
- 1 x Prawy wspornik półki przedniej (#33)
- 4 x Śruba (#A)
- 4 x Podkładki (#B)
- 4 x Podkładka zabezpieczająca (#C)

Montaż:

- Przymocuj wspornik półki przedniej do przedniej części korpusu beczkowego dwoma śrubami. Wkręć każdą śrubę do połowy, następnie sprawdź, czy obie śruby są odpowiednio przymocowane i ustawione. Powtórz te same czynności w przypadku drugiego wspornika półki przedniej.



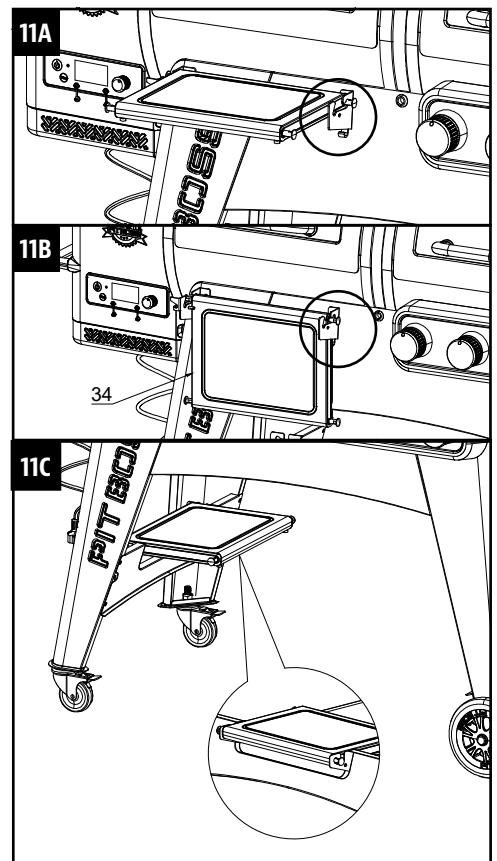
11. INSTALOWANIE PÓŁKI PRZEDNIEJ

Wymagane części:

- 1 x Półka przednia (#34)

Montaż:

- Umieścić półkę przednią na wspornikach półki przedniej. Na ilustracji 11A przedstawiono rozłożoną półkę przednią.
- Na ilustracji 11B przedstawiono złożoną półkę przednią.
- Można także umieścić półkę przednią na dolnych podstawkach mocujących i użyć jej jako płyty dolnej. Pokazano to na ilustracji 11C.



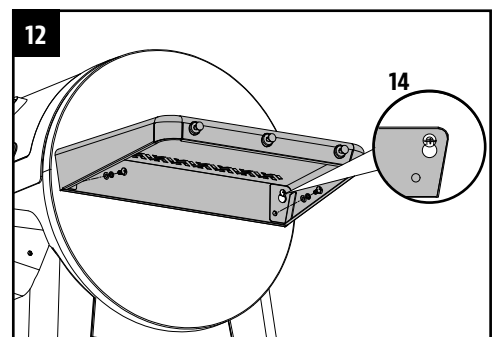
12. INSTALOWANIE PÓŁKI BOCZNEJ

Wymagane części:

- 1 x Półka boczna (#14)

Montaż:

- Poluzuj dwie zamocowane wcześniej śruby z boku korpusu beczkowego. Najpierw zawieś na nich półkę boczną, a następnie je dokręć.
- Przymocuj od spodu półkę boczną do panelu bocznego korpusu beczkowego, korzystając z dwóch śrub, podkładek oraz podkładek zabezpieczających.



13. INSTALOWANIE ELEMENTÓW GRILLA DO PRZYRZĄDZANIA POTRAW

Wymagane części:

- 1 x Płyta główna do grillowania na ogniu (#4)
- 1 x Zasłona płomienia (#3)
- 1 x Pręt do regulacji zasłony grillowania na ogniu (#5)
- 1 x Uchwyt pręta do regulacji zasłony grillowania na ogniu (#6)
- 1 x Drażek do regulacji dymu (#13)
- 3 x Osłona palnika (#7)
- 4 x Stalowy ruszt do gotowania z powłoką żeliwną (#2)
- 2 x Górny ruszty stalowy z powłoką porcelanową (#1)

Montaż:

- Umieść płytę główną do grillowania na ogniu w głównej części grilla. Oprzyj płytę główną do grillowania na ogniu na wbudowanym ustępie (po prawej, wewnętrznej stronie) głównej części grilla, który kieruje tłuszcz do wiaderka. Przesuń cały element w lewą stronę, aby dopasować jej dwa otwory do zaokrąglonego ustępu nad komorą spalania. Część ta znajdzie się pod lekkim kątem w dół. Pokazano to na ilustracji 13A.

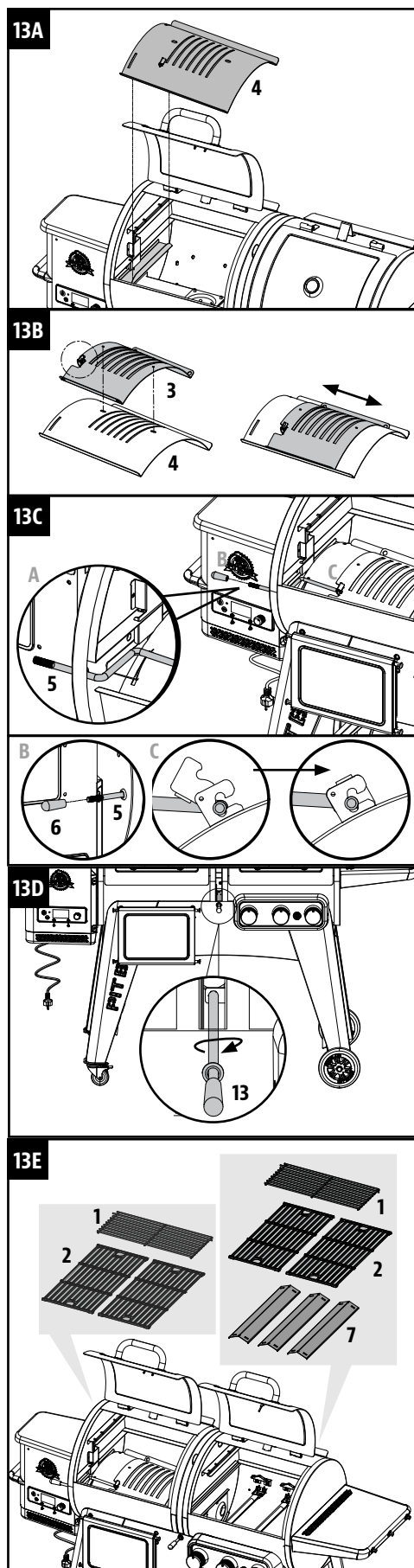
WAŻNE: jeżeli płyta główna znajduje się na spodzie korpusu beczkowego, jest ona zamontowana nieprawidłowo. Nieprawidłowa instalacja może skutkować uszkodzeniem korpusu beczkowego grilla.

- Umieść zasłonę płomienia na płycie głównej do grillowania na ogniu, zakrywając szczeliny. Upewnij się, że wycięcie znajduje się po lewej stronie, a dwa sworznie u dołu zasłony płomienia znajdują się w otworach płyty głównej do grillowania na ogniu, co pozwoli na szybkie zakrywanie lub odsłanianie płomienia podczas grillowania. Zarówno płyta do grillowania na ogniu, jak i jej zasłona są delikatnie pokryte olejem, co zapobiega ich rdzewieniu podczas transportu. Pokazano to na ilustracji 13B.

UWAGA: Gdy suwak brojlerów płomieniowych jest otwarty, a podczas gotowania używany jest płomień bezpośredni, nie pozostawiaj grilla bez nadzoru przez jakiś czas.

- Wsuń pręt do regulacji zasłony grillowania na ogniu przez otwór z lewej strony korpusu beczkowego. Na końcu pręta do regulacji zasłony grillowania na ogniu wystającym poza korpus beczkowy nałóż uchwyt. Następnie wsuń koniec pręta z nacięciem do elementu blokującego zasłonę płomienia, aby zapewnić sobie możliwość regulowanego dostępu do zasłony płomienia na płycie głównej. Pokazano to na ilustracji 13C.
- Wkręć pręt do regulacji dymu i zaciśnij go. Powinien on gładko przejść z przodu do tyłu. Pokazano to na ilustracji 13D.
- Na palniku umieść trzy osłony. Umieść obok siebie ruszty do grillowania na ustępach wewnątrz głównej części grilla. Umieść górny ruszt do grillowania na górnym ustępie wewnątrz głównej części grilla. Ruszt do grillowania zablokuje się we właściwym położeniu. Pokazano to na ilustracji 13E.

UWAGA: w celu utrzymania optymalnego efektu smażenia i grillowania na rusztach wymagana jest ich regularna pielęgnacja i konserwacja. Patrz: Instrukcja użytkownika.



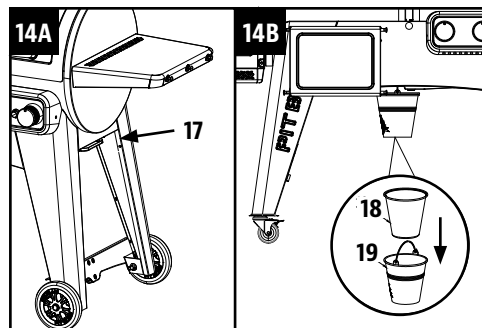
14. INSTALOWANIE WIADRA NA TŁUSZCZ

Wymagane części:

- 1 x Taca na tłuszcz (#17)
- 1 x Wewnętrzna część wiadra na tłuszcz (#18)
- 1 x Wiadro na tłuszcz (#19)

Montaż:

- Przesuń tacę na tłuszcz do dolnej części głównego korpusu beczkowego. Pokazano to na ilustracji 14A.
- Włóż wkład łyżki do smaru do łyżki. Umieść wiadro na tłuszcz na haku wylewki znajdującym się u dołu korpusu beczkowego. Upewnij się, że wisi równo, aby nie dopuścić do wycieku tłuszczu. Pokazano to na ilustracji 14B.



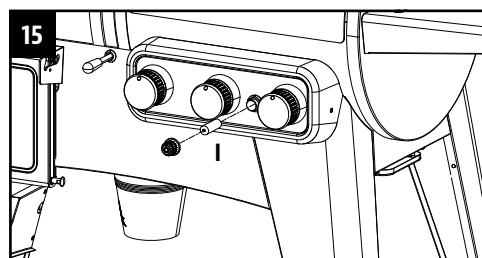
15. INSTALOWANIE BATERII

Wymagane części:

- 1 x Bateria AA (#1)

Montaż:

- Odkręć osłonę zapalnika z panelu sterowania. Włóż baterię do gniazda baterii biegunem dodatnim (+) skierowanym na zewnątrz. Przykręć nakrętkę z powrotem do panelu.
- Urządzenie jest już gotowe do użytku.



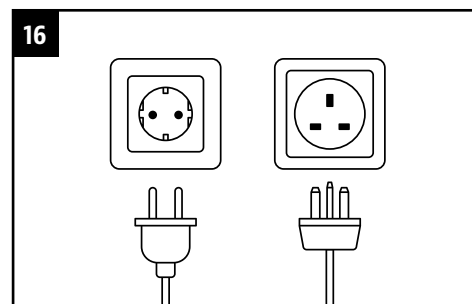
16. PODŁĄCZANIE DO ŹRÓDŁA ZASILANIA

UWAGA: Przed podłączeniem urządzenia Pit Boss® do gniazda elektrycznego upewnij się, że pokrętko regulacji temperatury znajduje się w pozycji OFF.

- **GNAZDO STANDARDOWE**
To urządzenie wymaga zasilania zgodnego z parametrami: 220–240 V, 50 Hz, 250 W. Musi to być trzystykowa wtyczka z uziemieniem.

WAŻNE: Odłącz urządzenie od źródła zasilania, gdy nie jest używane.

WAŻNE: Zapoznaj się z instrukcjami obsługi zawartymi w podręczniku użytkownika.



INNEHÅLLSFÖRTECKNING

Delar och specifikationer	90
Förberedelse för montering	92
Monteringsanvisningar	
Montera stödet för droppbrickan	92
Montera droppbrickan i huvudtrumman	92
Installera locklåset	93
Fästa stödplattor och svängbara hjul	93
Fästa stödplattor och hjul	93
Fästa ramenheten	94
Montera huvudtrumman på vagnen	94
Fästa vagnpanelen på grillen	94
Installera lockhandtaget	94
Montera fästen till framhylla	95
Installera framhyllan	95
Installera sidohyllan	95
Installera grillkomponenterna	96
Installera dropphink	97
Installera batteriet	97
Ansluta till en strömkälla	97



MEDDELANDE OM UPPHOVSRÄTT

Copyright 2021. Alla rättigheter förbehålles. Denna bruksanvisning får inte kopieras, överföras, transkriberas eller lagras i ett sökbart system, i någon del, form eller på något sätt, utan uttryckligt skriftligt tillstånd från

DANSONS EUROPE

11 Rue Galvani Paris, Frankrike 75017

DANSONS NORDAMERIKA

3411 North 5th Avenue, Suite 500, Phoenix, AZ, USA 85013

KUNDTJÄNST

www.pitboss-grills.com

SE

SVENSKA

DELAR OCH SPECIFIKATIONER

Delnr	Beskrivning
1	Övre grillgaller i porslinsbelagt stål (× 2)
2	Grillgaller i porslinsbelagt gjutjärn (× 4)
3	Skjutreglage för flamgrill (× 1)
4	Huvudplatta för flamgrill (× 1)
5	Vevstake för flamgrill (× 1)
6	Handtag till vevstake för flamgrill (× 1)
7	Värmeskydd (× 3)
8	Locklås (× 2)
9	Lockhandtag (× 2)
10	Lockhandtagets infattning (× 4)
11	Huvudtrumma/pelletstankenhet (× 1)
12	Köttsond (× 2)
13	Rökjusteringsstång (× 1)
14	Sidohylla (× 1)
15	Stöd A för droppbricka (× 2)
16	Stöd B för droppbricka (× 2)
17	Droppbricka (× 1)
18	Invändig dropphink (× 1)
19	Dropphink (× 1)
20	Stödben för svängbart hjul/bak (× 1)
21	Stödben för svängbart hjul/fram (× 1)
22-1	Trimdel till vänster främre stödben (× 1)
22-2	Trimdel till vänster bakre stödben (× 1)
23	Lås- och svängbara hjul (× 2)
24	Stödben bak (× 1)
25	Stödben fram (× 1)
26	Hjul (× 2)
27	Vagnens sidopanel (× 2)
28	Vagnens bakpanel (× 1)
29	Vagnens frontpanel (× 1)
30	Tvärstag M (× 1)
31	Tvärstag L (× 1)

Delnr	Beskrivning
32	Vänster fäste till framhylla (× 1)
33	Höger fäste till framhylla (× 1)
34	Framhylla (× 1)
35	Kabelklämmorna (× 1)
36	Strömladd F-kontakt (× 1)
37	Strömladd G-kontakt (× 1)
A	Skruv (× 30)
B	Bricka (× 30)
C	Låsbricka (× 30)
D	Skruv (× 26)
E	Bricka (× 4)
F	Sprint till hjulaxel (× 2)
G	Bricka till hjul (× 2)
H	Saxsprint till hjul (× 2)
I	AA-batteri (× 1)

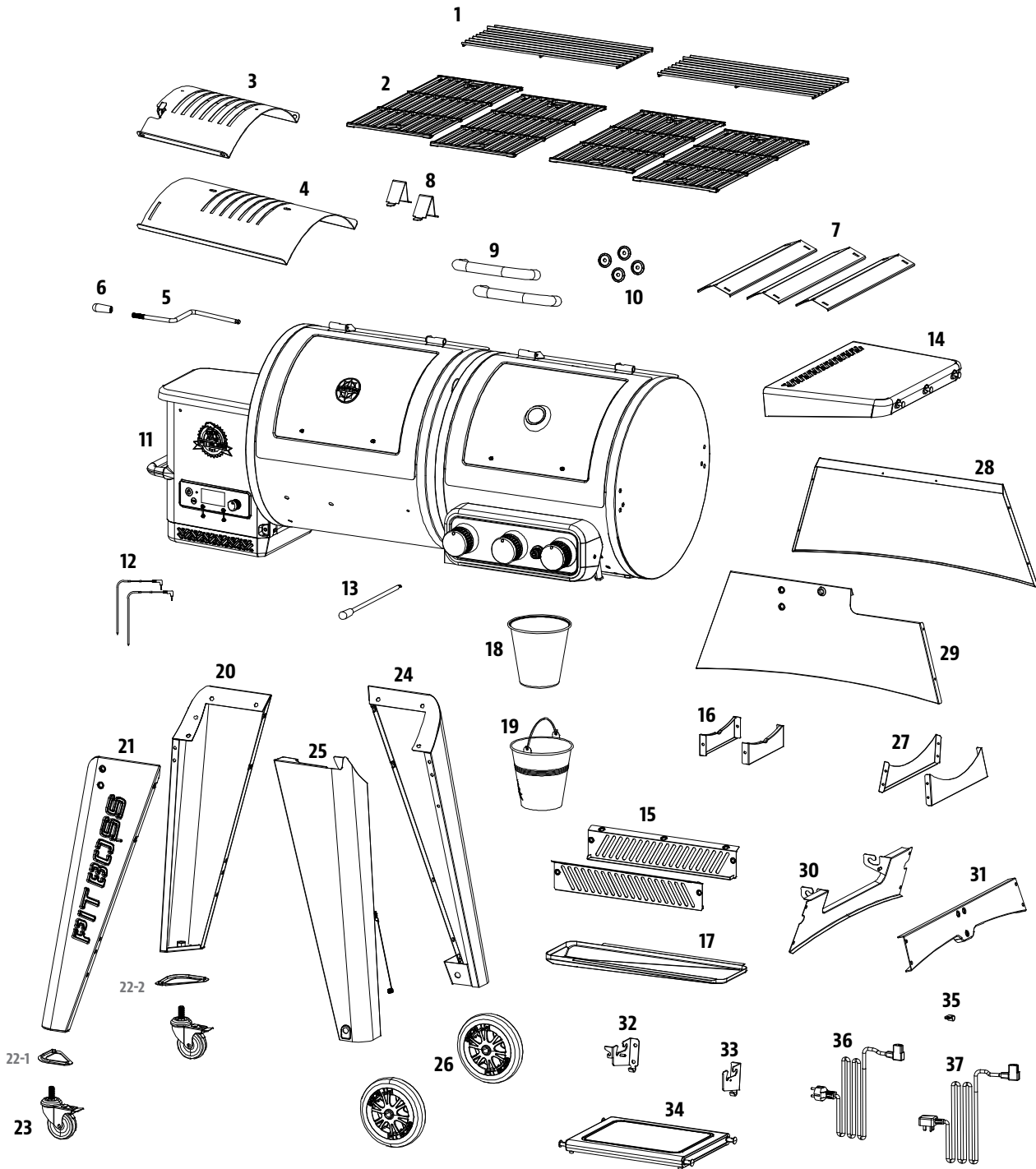
OBS! Till följd av kontinuerlig produktutveckling kan delar bytas för enheten utan föregående meddelande. Kontakta kundtjänst om det saknas delar för montering av enheten.






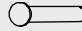



PB – ELKRAV
220-240 V, 50 Hz, 250 W, TREPOLIG JORDAD KONTAKT

Illustrerande bild på nästa sida.

MODELL	MONTERAD ENHET (B x H x D)	ENHETS- VIKT	GRILLOMRÅDE	TEMPERA- TURINTERVALL	DIGITALA FUNKTIONER
PB PB1230G	1759mm x 1195mm x 866mm / 69,2" x 47" x 34,1"	92 kg / 202,82 lb	Huvudyta pellets - 2,580.6 cm ² / 400 in ² Övre galle - 1,489 cm ² / 230.8 in ² TOTALT - 4,069.6 cm² / 630.8 in²	82-260°C / 180-500°F	Tio förinställda temperaturlägen, start- och nedkylningsprogram, elektrisk tändare
			TOTAL GRILLYTA - 8,139.2 cm² / 1,261.6 in²		

DELAR OCH SPECIFIKATIONER



A		B		C		D		E	
F		G		H		I			

SE
SVENSKA

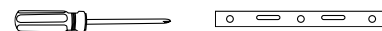
FÖRBEREDELSE FÖR MONTERING

Delarnas visas över hela transportkartongen, inklusive på grillens undersida. Kontrollera grillen, delarna och paketet med hårdvarutillbehör efter att det har tagit ur transportkartongen. Avlägsna allt förpackningsmaterial inuti och utanpå grillen och kontrollera sedan alla delar mot listan över delarna. Om någon del saknas eller är skadad väntar du med monteringen. Skador som tillkommer under transport täcks inte av garantin. Kontakta din återförsäljare eller kundtjänst för Pit Boss® om du behöver reservdelar.

www.pitboss-grills.com

VIKTIGT! Se till att vara två personer vid ihopmontering av enheten för enklare installation och för att undvika personskador.

Nödvändiga verktyg för installationen: skruvmejsel och vattenpass. *Verktyg ingår inte.*



MONTERINGSANVISNINGAR

VIKTIGT! Vi rekommenderar att du läser igenom varje steg noggrant innan du börjar montera ihop enheten. Dra inte åt skruvarna helt förrän alla skruvar för respektive steg har installerats. Maskinvarutillbehöret som innehåller en låsbricka och en bricka ska installeras med låsbrickan närmast skruvhuvudet.

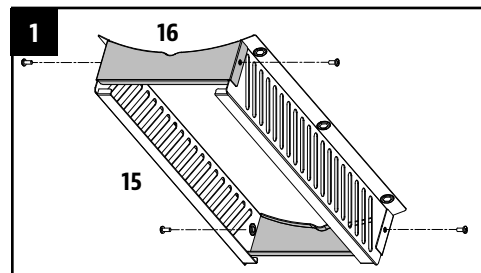
1. MONTERA STÖDET FÖR DROPPBRICKAN

Nödvändiga delar:

- 2 x Stöd A för droppbricka (#15)
- 2 x Stöd B för droppbricka (#16)
- 4 x Skruv (#D)

Installation:

- Montera stöd A för droppbrickan på stöd B för droppbrickan med fyra skruvar.



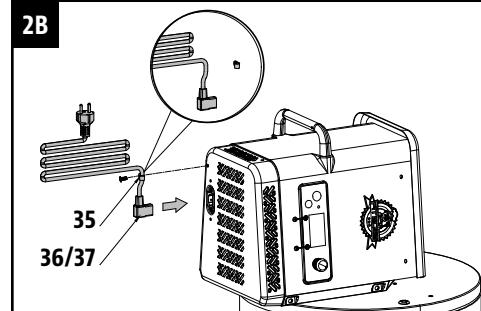
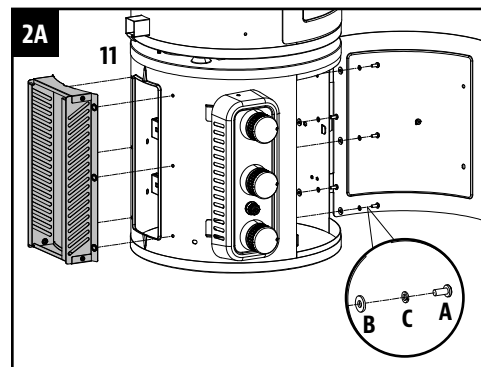
2. MONTERA DROPPBRICKAN I HUVUDTRUMMAN

Nödvändiga delar:

- 1 x Huvudtrumma/pelletstankenhet (#11)
- 6 x Skruv (#A)
- 6 x Bricka (#B)
- 6 x Låsbricka (#C)
- 1 x Strömsladd (#36/ #37)
- 1 x Kabelklämmorna (#35)

Installation:

- Lagg en bit kartong på golvet för att förhindra repor på enheten. Lagg huvudtrumman på sidan på kartongbiten med pelletstanken vänd uppåt.
- Montera stödet för droppbrickan på huvudtrumman, i änden som pekar mot golvet. Använd sex skruvar, låsbrickor och brickor. Se illustration 2A.
- Ersätt med korrekt strömsladd för ditt land, om den inte passar till din stickkontakt.
- Placera kabelklämmorna på rätt strömsladd. Sätt i strömsladden i klungan nedtill på pelletstanken. Sätt fast kabelklämman nedtill på pelletstanken med den befintliga skruven. Se illustration 2B.



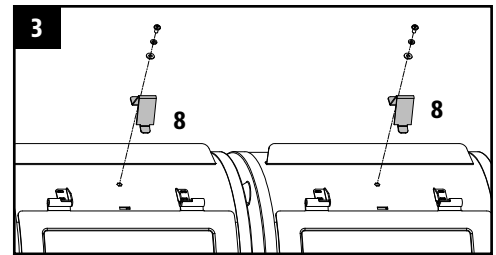
3. INSTALLERA LOCKLÅSET

Nödvändiga delar:

2 x Locklås (#8)

Installation:

- Fäst locklåset på huvudtrummans ovansida med den förinstallerade skruven.



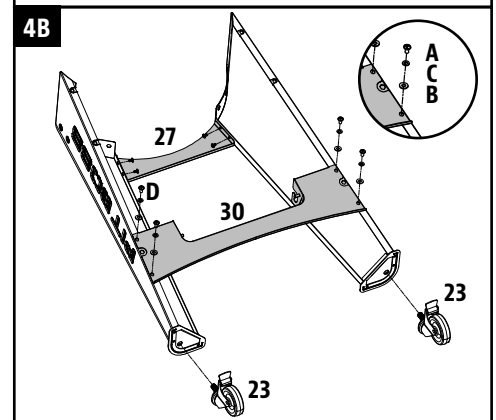
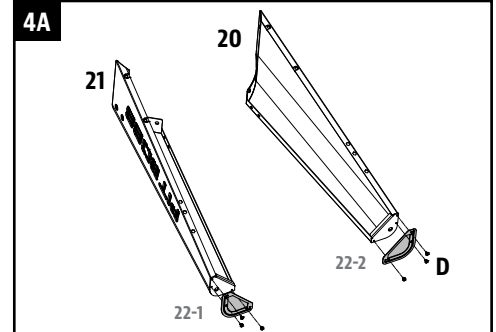
4. FÄSTA STÖDPLATTOR OCH SVÄNGBARA HJUL

Nödvändiga delar:

1 x Stödben för svängbart hjul/bak (#20)
1 x Stödben för svängbart hjul/fram (#21)
1 x Trimdel till vänster främre stödben (#22-1)
1 x Trimdel till vänster bakre stödben (#22-2)
1 x Vagnens sidopanel (#27)
1 x Tvärstag M (#30)
2 x LLäs- och svängbara hjul (#23)
4 x Skruv (#A)
4 x Bricka (#B)
4 x Låsbricka (#C)
10 x Skruv (#D)

Installation:

- Skruva fast trimdelen på vänster främre stödben för det främre svängbara hjulet. Skruva fast trimdelen på vänster bakre stödben för det bakre svängbara hjulet. Se illustration 4A.
- Fäst stödbenet för det främre svängbara hjulet och stödbenet för det bakre svängbara hjulet som monterades i föregående steg på vagnens sidopanelanslutning med skruvar (artikel D). Fäst tvärstag M på den monterade enheten från föregående steg med skruvar (artikel A), låsbrickor och brickor. Se illustration 4B.



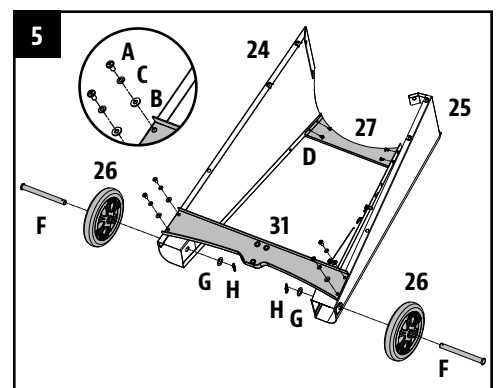
5. FÄSTA STÖDPLATTOR OCH HJUL

Nödvändiga delar:

1 x Stödben bak (#24)
1 x Stödben fram (#25)
2 x Hjul (#26)
1 x Cart Side Panel (#27)
1 x Cart Support Girder / L (#31)
4 x Skruv (#A)
4 x Bricka (#B)
4 x Låsbricka (#C)
4 x Skruv (#D)
2 x Sprint till hjulaxel (#F)
2 x Bricka till hjul (#G)
2 x Saxsprint till hjul (#H)

Installation:

- Fäst det bakre och främre stödbenet på vagnens sidopanel med skruvar (artikel D). Fäst tvärstag L på den monterade enheten från föregående steg med skruvar (artikel A), låsbrickor och brickor.
- Fäst det stora hjulet på stödbenet genom att föra in sprinten för hjulaxeln genom hjulet och sedan genom stödbenets hål. Fäst slutligen med hjulets saxsprint. Upprepa proceduren för det andra hjulet på samma sida.



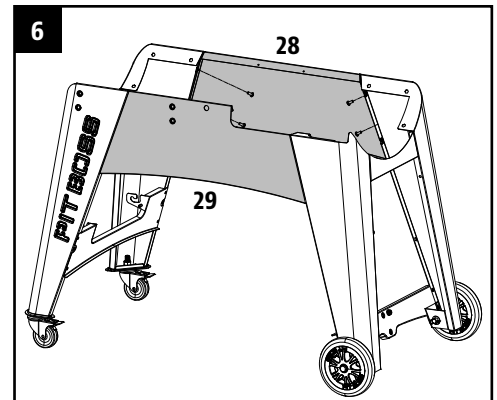
6. FÄSTA RAMENHETEN

Nödvändiga delar:

- 1 x Vagnens bakpanel (#28)
- 1 x Vagnens frontpanel (#29)
- 8 x Skruv (#D)

Installation:

- Fäst vagnens bakpanel på de två stödbenen framtill på enheten. Fäst med två skruvar på varje sida. Se till att den flatare ytan på stödplattan är vänd utåt. Upprepa samma installation för att montera vagnens frontpanelplatta på de andra stödbenen.



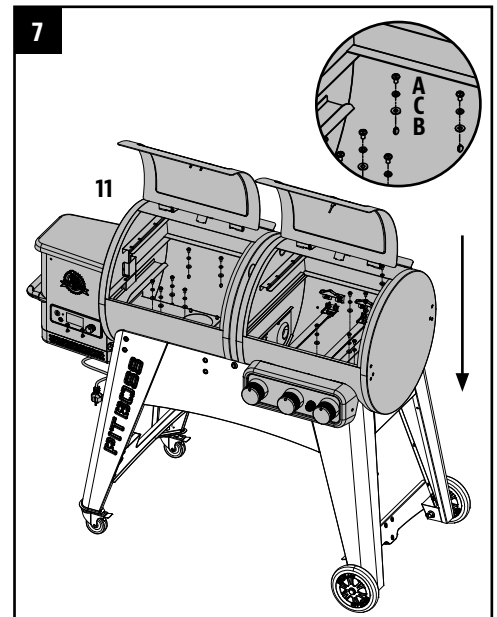
7. MONTERA HUVUDTRUMMAN PÅ VAGNEN

Nödvändiga delar:

- 1 x Huvudtrumma/pelletstankenhet (#11)
- 12 x Skruv (#A)
- 12 x Bricka (#B)
- 12 x Låsbricka (#C)

Installation:

- Förbered huvudtrumman för montering på vagnen. Placera vagnen bredvid huvudtrumman, båda riktade åt samma håll. Lås de svängbara hjulen på vagnen. Var två personer och låt den ena förbereda sig för att lyfta upp huvudtrumman på vagnen. Lyft försiktigt upp huvudtrumman och sänk långsamt ner den på vagnen genom att den ena personen lyfter i änden med pelletstanken och den andra personen lyfter i andra änden.
- Öppna sedan locket på huvudtrumman. Roterå så att skruvhålen på huvudtrumman riktas in korrekt mot vagnen. När den sitter på plats fäster du varje ben mot huvudtrumman med tre skruvar, brickor och låsbrickor.



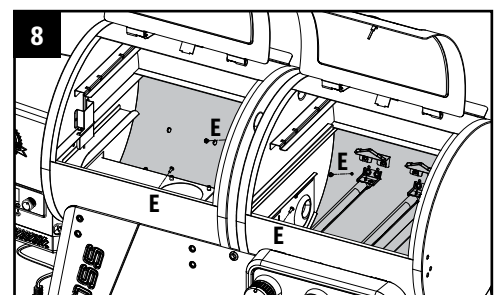
8. FÄSTA VAGNPANELEN PÅ GRILLEN

Nödvändiga delar:

- 4 x Skruv (#E)

Installation:

- Fäst vagnens fram-/bakpanel mot trumman med fyra skruvar.



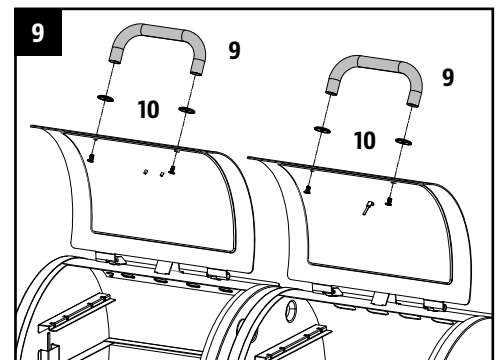
9. INSTALLERA LOCKHANDTAGET

Nödvändiga delar:

- 2 x Lockhandtag (#9)
- 4 x Lockhandtagets infattning (#10)

Installation:

- Ta bort de förinstallerade skruvarna på lockhandtaget. Skruva i en skruv från insidan av trummans lock så att den sticker ut på framsidan. Sätt en hylsmutter på skruven. Skruva sedan åt skruven för hand (från insidan) i lockhandtaget. Upprepa på andra sidan.



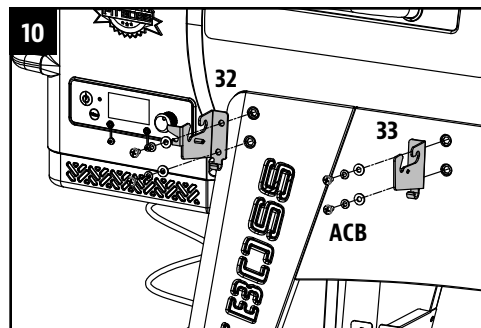
10. MONTERA FÄSTEN TILL FRAMHYLLA

Nödvändiga delar:

- 1 x Vänster fäste till framhylla (#32)
- 1 x Höger fäste till framhylla (#33)
- 4 x Skruv (#A)
- 4 x Bricka (#B)
- 4 x Låsbricka (#C)

Installation:

- Skruva fast ett fäste för framhyllan på framsidan av grilltrumman med två skruvar. Skruva in varje skruv till hälften, skruva därefter in dem helt när båda skruvarna är monterade och korrekt inriktade. Upprepa samma installation för den andra hållaren till framhyllan.



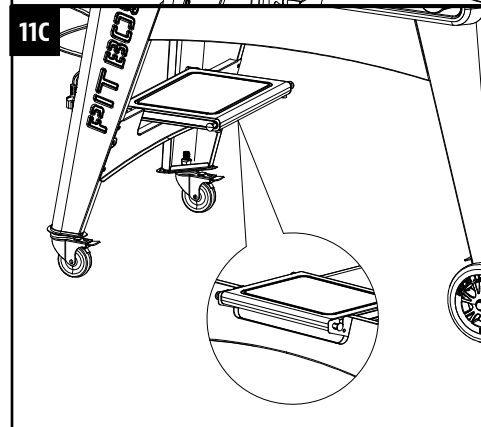
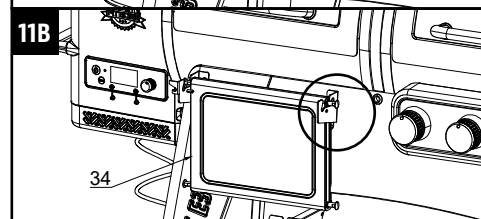
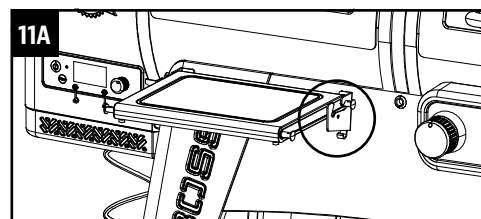
11. INSTALLERA FRAMHYLLAN

Nödvändiga delar:

- 1 x Framhylla (#34)

Installation:

- Placera framhyllan på fästena. Se illustration 11A för uppfälld framhylla.
- Se illustration 11B för nedfälld framhylla.
- Framhyllan kan även placeras på bottenplattorna och användas som bottenhylla. Se illustration 11C.



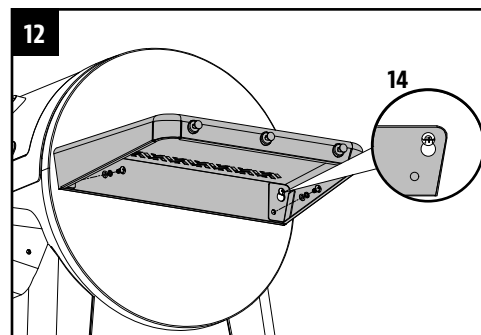
12. INSTALLERA SIDOHYLLAN

Nödvändiga delar:

- 1 x Sidohylla (#14)

Installation:

- Lossa de två förinstallerade skruvarna på sidan av huvudtrumman. Häng först upp sidohyllan på skruvarna och skruva sedan åt dem.
- Fäst sidohyllan på huvudtrummans sidopanel underifrån med två skruvar, brickor och låsbrickor.



13. INSTALLERA GRILLKOMPONENTERNA

Nödvändiga delar:

- 1 x Huvudplatta för flamgrill (#4)
- 1 x Skjutreglage för flamgrill (#3)
- 1 x Vevstake för flamgrill (#5)
- 1 x Handtag till vevstake för flamgrill (#6)
- 1 x Rökjusteringsstång (#13)
- 3 x Värmeskydd (#7)
- 4 x Grillgaller i porslinsbelagt gjutjärn (#2)
- 2 x Övre grillgaller i porslinsbelagt stål (#1)

Installation:

- Sätt i flamgrillens huvudplatta i huvudgrillen. Luta flamgrillens huvudplatta mot den inbyggda kanten (på höger insida) på huvudgrillen som styr fett mot dropphinken. Skjut hela delen åt vänster sida och passa in de två spåren på flamgrillens huvudplatta i den rundande kanten ovanför förbränningskammaren. Den sitter i en något sluttande vinkel. Se illustration 13A.

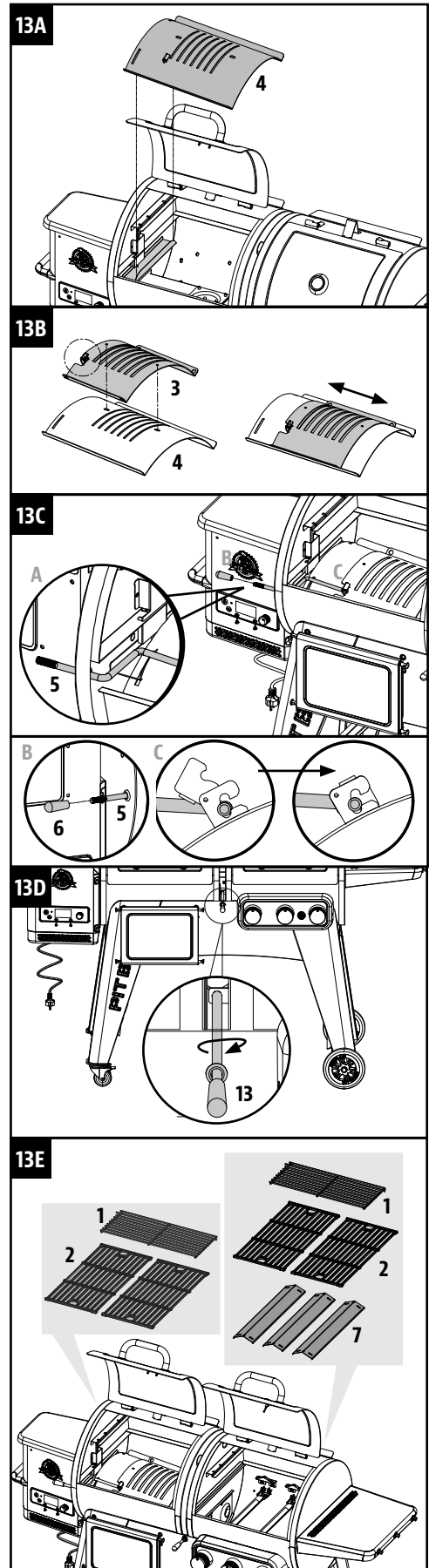
VIKTIGT! Om huvudplattan vilar mot trummans bas har den monterats felaktigt. Felaktig montering kan orsaka skada på grillens huvudtrumma.

- Sätt flamgrillens skjutreglage ovanpå huvudplattan så att den täcker de öppna spåren. Se till att den upphöjda fliken sitter till vänster och att de två stiften på flamgrillens skjutreglage placeras i hålen på flamgrillens huvudplatta för att enkelt kunna justera direkt eller indirekt låga under grillningen. Båda delarna till flamgrillen är lätt bestrukna med olja för att undvika att delarna angrips av rost under transporten. Se illustration 13B.

OBS! När skjutreglaget för flamkylare är öppet och en direkt flamma används under matlagning, ska du inte lämna grillen utan tillsyn under någon tid.

- Sätt i flamgrillens vevstake genom öppningshålet på huvudtrummans vänstra sida. Sätt i vevstakens handtag i änden utanpå trumman. Skjut sedan in den räfflade änden på vevstaken i låsfliken på skjutreglaget för flamgrillen, så att du kan justera skjutreglaget på huvudplattan. Se illustration 13C.
- Skruva i rökjusteringsstången och dra åt den. Den bör glida smidigt framifrån och bakåt. Se illustration 13D.
- Placera de tre värmeskydden på ovansidan av brännaren. Sätt grillgallren sida vid sida på gallerkanten inuti huvudgrillen. Placera det övre grillgallret på den övre kanten inuti huvudgrillen. Grillgallret låses på plats. Se illustration 13E.

OBS! Det är nödvändigt med god skötsel och regelbundet underhåll av grillgallren för att bibehålla goda grillresultat. Se bruksanvisningen.



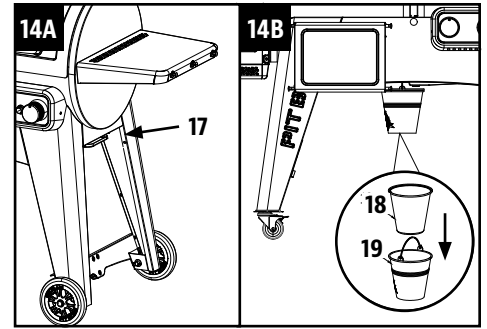
14. INSTALLERA DROPPHINK

Nödvändiga delar:

- 1 x Droppbricka (#17)
- 1 x Invändig dropphink (#18)
- 1 x Dropphink (#19)

Installation:

- Skjut in droppbrickan i botten av huvudtrumman. Se illustration 14A.
- Sätt in fettfodralfodret inuti fettskopan. Häng upp dropphinken på metallkroken på nederdelen av huvudtrumman. Se till att den är i nivå för att undvika spill. Se illustration 14B.



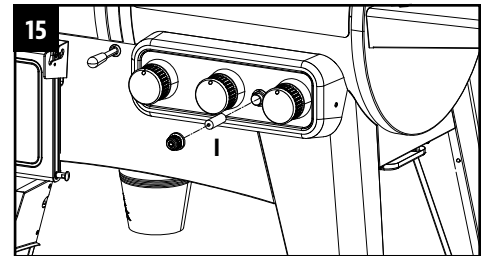
15. INSTALLERA BATTERIET

Nödvändiga delar:

- 1 x AA-batteri (#1)

Installation:

- Skruva loss tändarkåpan från kontrollpanelen. Sätt in batteriet i batterifacket med den positiva änden (+) vänd utåt. Skruva tillbaka locket på panelen.
- Enheten är nu färdigmonterad.



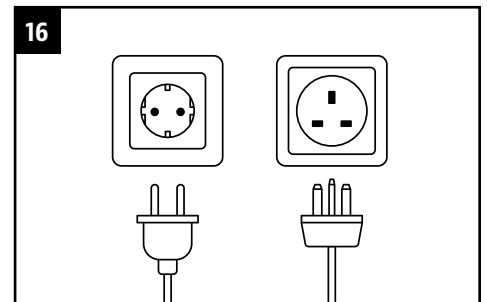
16. ANSLUTA TILL EN STRÖMKÄLLA

OBS! Innan du ansluter Pit Boss®-enheten till ett elektriskt uttag säkerställer du att temperaturreglaget är i läget OFF.

- **STANDARDUTTAG**
Den här apparaten kräver 220–240 volt, 50 Hz, 250 w. Det måste vara en trepolig jordad kontakt.

VIKTIGT! Koppla ur enheten från strömkällan när den inte används.

VIKTIGT! Se användningsinstruktionerna i bruksanvisningen



SISUKORD

Osad ja andmed	99
Kokkupanemise ettevalmistamine	101
Kokkupanemisjuhised	
Rasvarenni toe kokkupanek	101
Rasvarenni kinnitamine peatrumli külge	101
Kaanetoe paigaldamine.....	102
Tugiplatide ja rullikrataste kinnitamine	102
Tugiplatide ja rataste kinnitamine.....	102
Raamikoostu kinnitamine	103
Peatrumli kinnitamine kärule.....	103
Kärupaneeli kinnitamine grilli külge.....	103
Kaane käepideme paigaldamine	103
Esilaua klambrite kinnitamine	104
Esilaua paigaldamine.....	104
Külglaua paigaldamine	104
Grilli küpsetuskomponentide paigaldamine.....	105
Rasvaämbri paigaldamine	106
Patarei paigaldamine	106
Ühendamine toiteallikaga.....	106



AUTORIÕIGUSE TEATIS

Autoriõigus 2021. Kõik õigused kaitstud. Ühtegi selle juhendi osa ei tohi mingil kujul ega viisil kopeerida, edastada, transkribeerida ega salvestada ilma sellekohase kirjaliku loata

DANSONS EUROOPA

11 Rue Galvani Pariis, Prantsusmaa 75017

DANSONS PÕHJA-AMEERIKA

3411 North 5th Avenue, Suite 500, Phoenix, AZ, USA 85013

KLIENDITEENINDUS

www.pitboss-grills.com

OSAD JA ANDMED

Osa nr	Kirjeldus
1	Portselankattega terasest ülemine küpsetusraam (2 tk)
2	Portselankattega malmist küpsetusrest (4 tk)
3	Leegihajuti kelk (1 tk)
4	Leegihajuti põhiplaat (1 tk)
5	Leegihajuti kohendamisvarras (1 tk)
6	Leegihajuti kohendamisvarda käepide (1 tk)
7	Kuumakate (3 tk)
8	Kaanetugi (2 tk)
9	Kaane käepide (2 tk)
10	Kaane käepideme võru (4 tk)
11	Põhitrumli/punkri koost (1 tk)
12	Lihasond (2 tk)
13	Suitsu kohendamisvarras (1 tk)
14	Külgmine riiul (1 tk)
15	Rasvarenni tugi A (2 tk)
16	Rasvarenni tugi B (2 tk)
17	Rasvarenn (1 tk)
18	Rasvaambri sisemus (1 tk)
19	Rasvaamber (1 tk)
20	Rulliku tugijalg, tagumine (1 tk)
21	Rulliku tugijalg, eesmine (1 tk)
22-1	Vasaku eesmise tugijala kinnitustükk (1 tk)
22-2	Vasaku tagumise tugijala kinnitustükk (1 tk)
23	Lukustusrattad (2 tk)
24	Tugijalg, tagumine (1 tk)
25	Tugijalg, eesmine (1 tk)
26	Ratas (x2)
27	Käru küljepaneel (2 tk)
28	Käru tagapaneel (1 tk)
29	Käru esipaneel (1 tk)
30	Käru risttala M (1 tk)
31	Käru risttala L (1 tk)

Osa nr	Kirjeldus
32	Eesmise riiuli klamber L (1 tk)
33	Eesmise riiuli klamber R (1 tk)
34	Eesmine riiul (1 tk)
35	Kaabliklambrid (1 tk)
36	Toitekaabel, F-pistik (1 tk)
37	Toitekaabel, G-pistik (1 tk)
A	Kruvi (30 tk)
B	Seib (30 tk)
C	Lukustusseib (30 tk)
D	Kruvi (26 tk)
E	Seib (4 tk)
F	Rattatelje tihvt (2 tk)
G	Ratta seib (2 tk)
H	Ratta splint (2 tk)
I	AA-patarei (1 tk)

MÄRKUS! Pideva tootearenduse tõttu võivad osad muutuda ilma ette teatamata. Kui seadme koostamisel jääb osasid puudu, pöörduge klienditeeninduse poole

PB – ELEKTRINÕUDED

220–240 V, 50 Hz, 250 W, 3-HARULINE MAANDATUD PISTIK

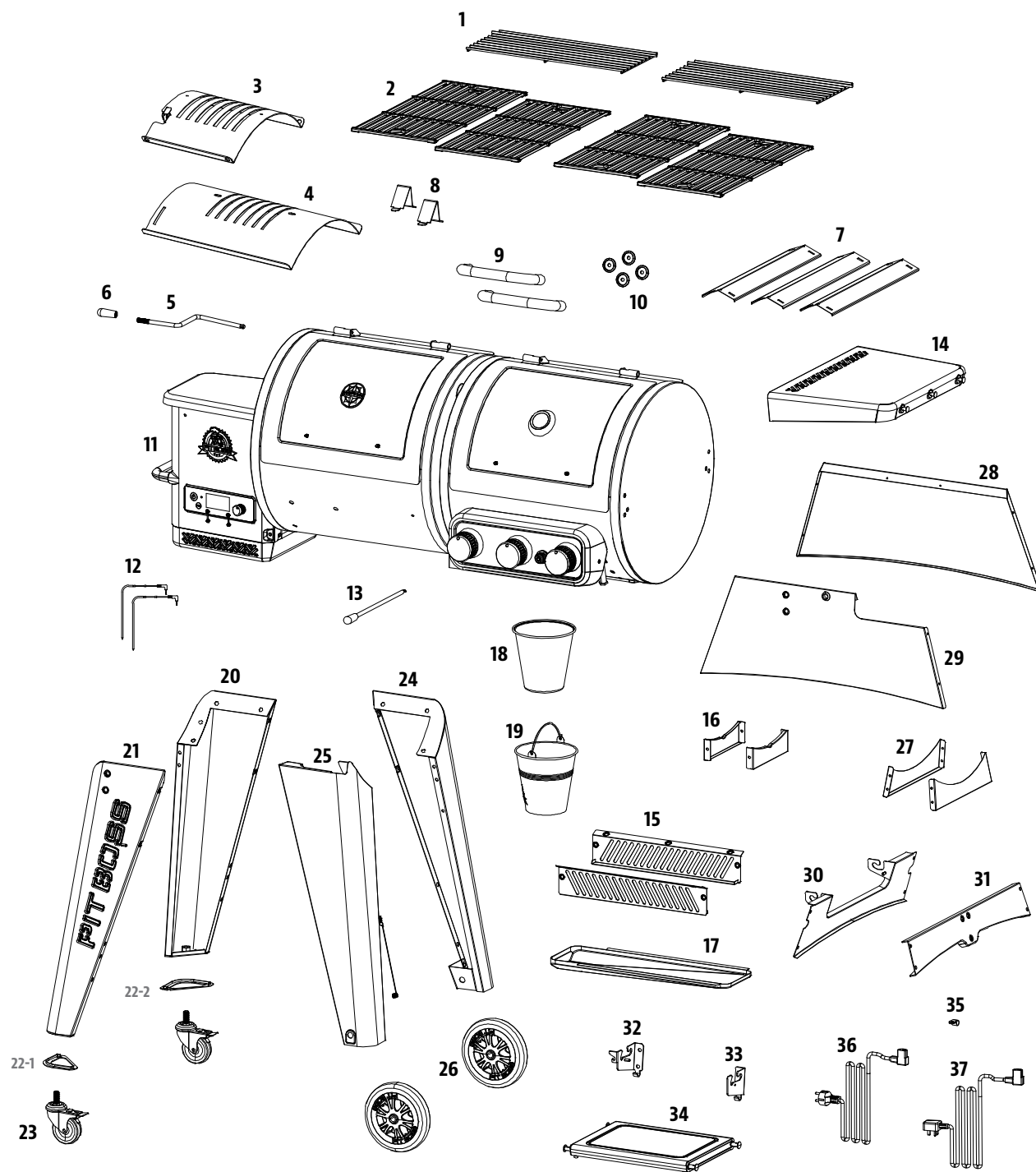
Joonis on järgmisel lehel.










MUDEL	KOOSTATUD SEADE (LxKxS)	SEADME KAAL	KÜPSETUSALA	TEMPERATU-URIVAHEMIK	NUMBRILISED FUNKTSIOONID
PB PB1230G	1759mm x 1195mm x 866mm / 69,2" x 47" x 34,1"	92 kg / 202,82 naela	<p>Põhipellet- 2580,6 cm² / 400 ruuttolli Ülemine raam- 1489 cm² / 230,8 ruuttolli KOKKU - 4069,6 cm² / 630,8 ruuttolli</p> <p>Põhigaas- 2580,6 cm² / 400 ruuttolli Ülemine raam- 1489 cm² / 230,8 ruuttolli KOKKU - 4069,6 cm² / 630,8 ruuttolli</p> <p>GRILL KOKKU - 8139,2 cm² / 1261,6 ruuttolli</p>	82-260°C / 180-500°F	Kümme eelseatud temperatuuri, käivitus- ja jahutustsüklid, elektrisüüteseade

EE

EESTI KEEL

OSAD JA ANDMED



A		B		C		D		E	
F		G		H		I			

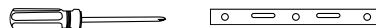
KOKKUPANEKUKS ETTEVALMISTAMINE

Osad asuvad kogu tarnekarbis, ka grilli all. Pärast kaitsva tarnekarbi eemaldamist kontrollige grilli, osasid ja kinnitusdetailide mullipakendit. Enne kokkupanekut eemaldage grilli välised ja sisemised pakendimaterjalid, seejärel vaadake läbi ja kontrollige kõiki osi, lähtudes osade loendist. Kui mõni osa puudub või on kahjustatud, ärge proovige seadet kokku panna. Transpordikahju ei kuulu garantii alla. Varuosade saamiseks pöörduge edasimüüja või ettevõtte Pit Boss® klienditeeninduse poole.

www.pitboss-grills.com

TÄHTIS! Selle seadme hõpsamaks paigaldamiseks ja vigastuste vältimiseks pange see seade kokku kahe inimese poolt.

Paigaldamiseks vajalikud tööriistad: on kruvikeeraja ja lood. *Tööriistad ei kuulu komplekti.*



KOKKUPANEKUJUHISED

TÄHTIS! Enne juhiste järgi kokkupanemist on soovitatav lugeda iga etapp täielikult läbi. Ärge pingutage kruvisid lõpuni enne, kui kõik selle etapi kruvid on paigaldatud. Riistvarakombinatsioon, mis hõlmab lukustusseibi ja seibi, tuleks paigaldada nii, et lukustusseib oleks kruvi peale lähemal.

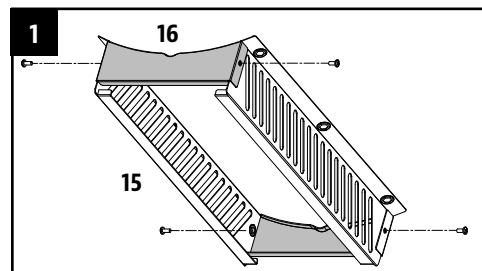
1. RASVARENNI TOE KOKKUPANEK

Vajalikud osad:

- 2 x Rasvarenni tugiA (#15)
- 2 x Rasvarenni tugi B (#16)
- 4 x Kruvi (#D)

Paigaldus:

- Paigaldage rasvarenni tugi A rasvarenni toele B, kasutades nelja kruvi.



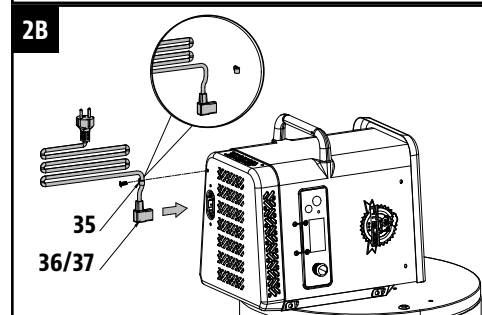
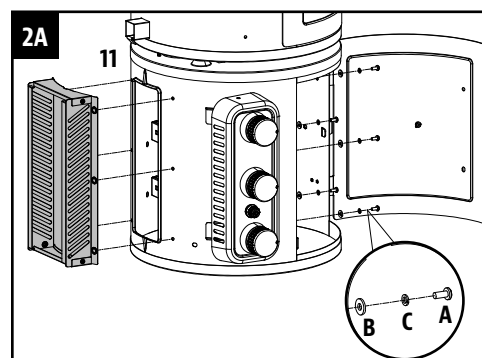
2. RASVARENNI KINNITAMINE PEATRUMLI KÜLGE

Vajalikud osad:

- 1 x Põhitrumli/punkri koost (#11)
- 6 x Kruvi (#A)
- 6 x Seib (#B)
- 6 x Lukustusseib (#C)
- 1 x Toitekaabel (#36/ #37)
- 1 x Kaabliklambrid (#35)

Paigaldus:

- Pange põrandale tükk pappi, et vältida seadme kriimustamist. Asetage peatrummel papile külili, punkriots suunaga üles.
- Paigaldage rasvarenni tugi peatrumli põrandaotsale, kasutades kuut kruvi, lukustusseibe ja seibe. Vt joonist 2A.
- Kui toitejuhtme pistik ei vasta teie riigis kasutatavale pistikule, asendage see õige toitejuhtmega.
- Paigaldage kaabliklambrid õigele toitejuhtmele. Sisestage toitejuhe punkri all olevasse soonde. Kinnitage kaabliklamber punkri alla eelnevalt paigaldatud kruviga. Vt joonist 2B.



EE

EESTI KEEL

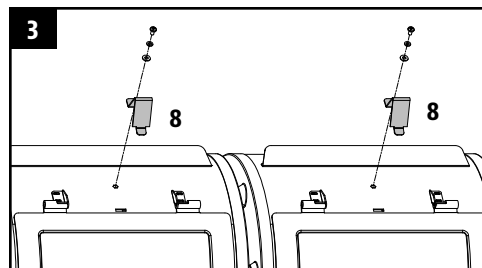
3. KAANETOE PAIGALDAMINE

Vajalikud osad:

2 x Kaanetugi (#8)

Paigaldus:

- Kinnitage kaanetugi peatrumli ülaosa külge, kasutades selleks peatrumli ülaosale eelpaigaldatud kruvi.



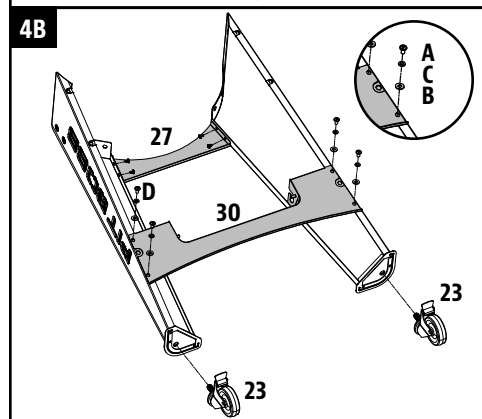
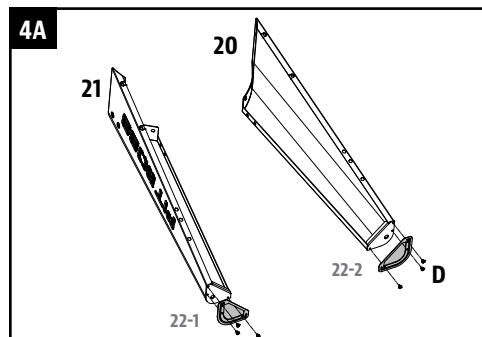
4. TUGIPLAATIDE JA RULLIKRATASTE KINNITAMINE

Vajalikud osad:

1 x Rulliku tugijalg, tagumine (#20)
1 x Rulliku tugijalg, eesmine (#21)
1 x Vasaku eesmise tugijala kinnitustükk (#22-1)
1 x Vasaku tagumise tugijala kinnitustükk (#22-2)
1 x Käru küljepaneel (#27)
1 x CKäru risttala M (#30)
2 x Lukustusrattad (#23)
4 x Kruvi (#A)
4 x Seib (#B)
4 x Lukustusseib (#C)
10 x Kruvi (#D)

Paigaldus:

- Kruvidega eesmise vasakpoolse tugijala kinnitustükk eesmise vasakpoolse rulliku tugijala külge. Kruvidega tagumise vasakpoolse tugijala kinnitustükk tagumise vasakpoolse rulliku tugijala külge. Vt joonist 4A.
- Kinnitage kruvidega eelmises sammus kokku pandud eesmise rulliku tugijalg ja tagumise rulliku tugijalg käru küljepaneeli ühenduse külge (D). Kinnitage kruvidega käru risttala M eelmises sammus kokku pandud osa külge, kasutades nelja kruvi (A), lukustusseibe ja seibe. Vt joonist 4B.



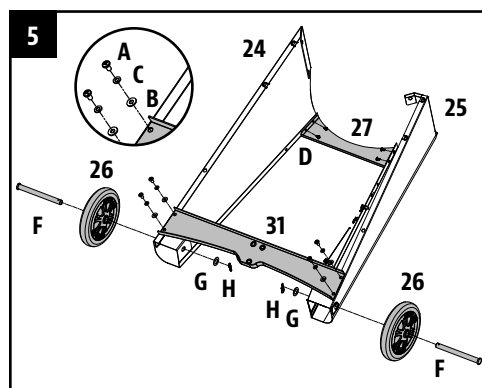
5. TUGIPLAATIDE JA RATASTE KINNITAMINE

Vajalikud osad:

1 x Tugijalg, tagumine (#24)
1 x Tugijalg, eesmine (#25)
2 x Ratas (#26)
1 x Käru küljepaneel (#27)
1 x CKäru risttala L (#31)
4 x Kruvi (#A)
4 x Seib (#B)
4 x Lukustusseib (#C)
4 x Kruvi (#D)
2 x Rattatelje tihvt (#F)
2 x Ratta seib (#G)
2 x Ratta splint (#H)

Paigaldus:

- Kinnitage kruvidega tagumise rulliku tugijalg ja eesmise rulliku tugijalg käru küljepaneeli ühenduse külge (D). Kinnitage kruvidega käru risttala L eelmises sammus kokku pandud osa külge kasutades nelja kruvi (A), lukustusseibe ja seibe.
- Kinnitage suur ratas tugijala külge, sisestades rattatelje tihvt läbi ratta tugijala augu ja kinnitage rattasplindiga. Korra sama toimingut sama külje teise rattaga.



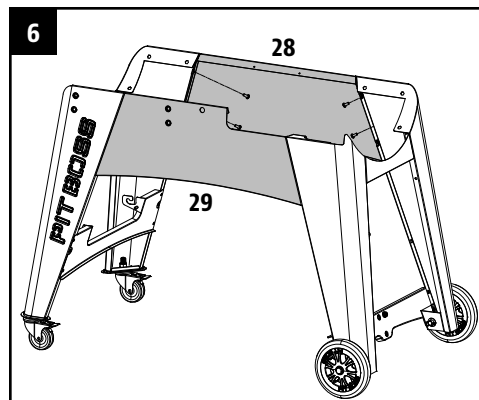
6. RAAMIKOOSTU KINNITAMINE

Vajalikud osad:

- 1 x Käru tagapaneel (#28)
- 1 x Käru esipaneel (#29)
- 8 x Kruvi (#D)

Paigaldus:

- Paigaldage käru tagapaneel seadme kahele eesmisele tugijalale. Kinnitage kummalgi pool kahe kruviga. Paigaldage tugiplaadi lame pind ülespoole. Korrake sama toimingut, et paigaldada käru esipaneeli plaat teiste tugijalgade külge.



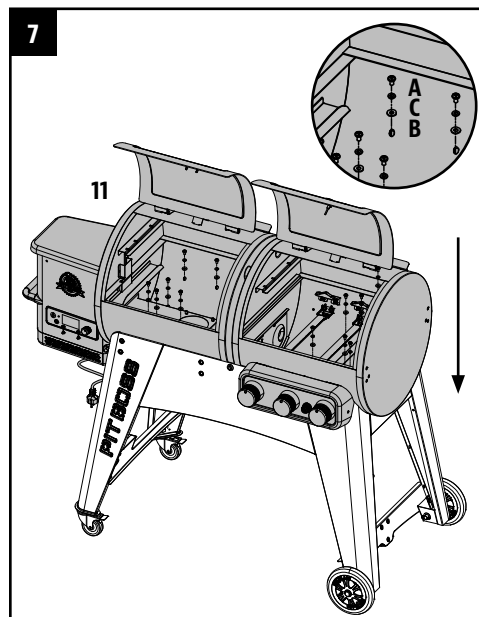
7. PEATRUMLI KINNITAMINE KÄRULE

Vajalikud osad:

- 1 x Põhitrumli/punkri koost (#11)
- 12 x Kruvi (#A)
- 12 x Seib (#B)
- 12 x Lukustusseib (#C)

Paigaldus:

- Valmistage ette kärule paigaldatav peatrummel. Asetage käru peatrumli juurde nii, et mõlemad jäävad ühte suunda. Lukustage käru rullikratad. Kasutage teise inimese abi ja valmistuge tõstma peatrumlit kärule. Üks isik peab tõstma punkripoolsest küljest ja teine vastasküljel asuvast trumliotsast. Tõstke peatrummel ettevaatlikult üles ja asetage see aeglaselt kärule.
- Järgmiseks avage peatrumli kaas. Vajaduse korral kohendage asendit pöörates, et kruviavad peatrumlil kattuksid käru omadega. Kui peatrummel on kohale asetatud, kinnitage selle külge kõik jalad kolme kruvi, lukustusseibi ja seibiga.



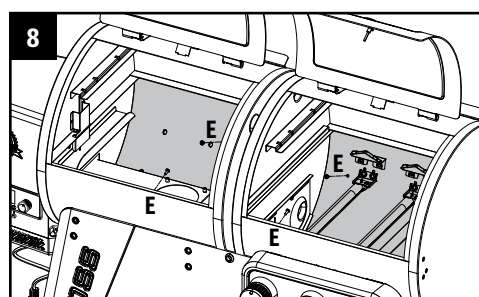
8. KÄRUPANEELI KINNITAMINE GRILLI KÜLGE

Vajalikud osad:

- 4 x Kruvi (#E)

Paigaldus:

- Kinnitage käru esi-/tagapaneel nelja kruviga trumli külge.



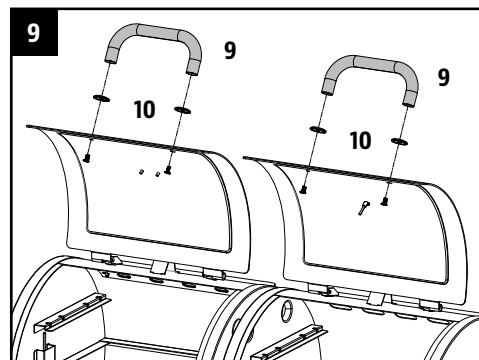
9. KAANE KÄEPIDEME PAIGALDAMINE

Vajalikud osad:

- 2 x Kaane käepide (#9)
- 4 x Kaane käepideme võru (#10)

Paigaldus:

- Eemaldage kaane käepidemest eelpaigaldatud kruvid. Sisestage trumlikaane seest üks kruvi, nii et see ulatub välja. Lisage kruvi külge võru. Seejärel keerake kruvi (seestpoolt) käsitsi kaane käepidemesse. Korrake teisel küljel.



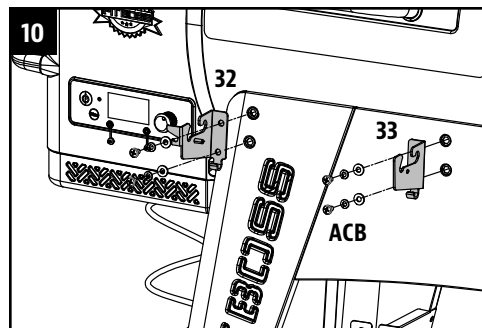
10. ESILAUA KLAMBRITE KINNITAMINE

Vajalikud osad:

- 1 x Eesmise riuli klamber Lt (#32)
- 1 x Eesmise riuli klamber (#33)
- 4 x Kruvi (#A)
- 4 x Seib (#B)
- 4 x Lukustusseib (#C)

Paigaldus:

- Kinnitage üks eesmise riuli klamber kahe kruviga grilli trumli külge. Paigaldage iga kruvi poolenisti, seejärel keerake kinni, kui mõlemad kaks kruvi on paigaldatud ja õigesti joondatud. Korrake sama toimingut teise eesmise riuli klambriga.



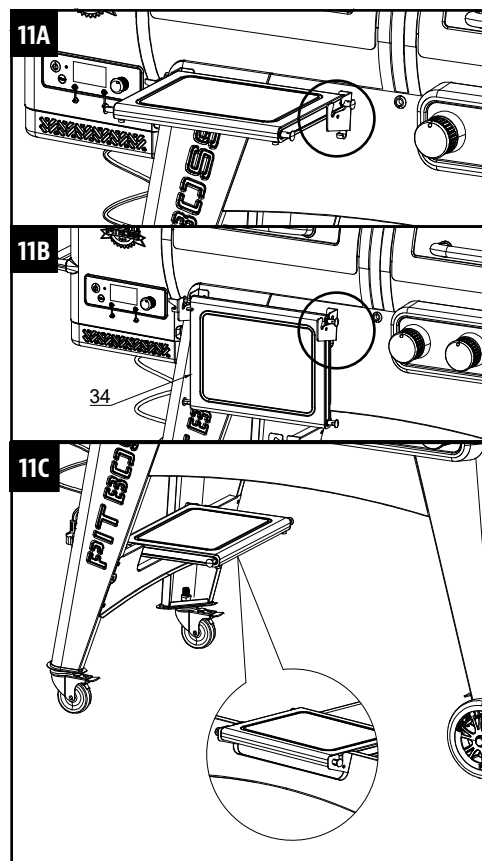
11. ESILAUA PAIGALDAMINE

Vajalikud osad:

- 1 x Eesmine riul (#34)

Paigaldus:

- Asetage eesmine riul eesmise riuli tugiklambritele. Vt joonisel 11A kokku volditud esiriulit.
- Vt joonisel 11B lahti volditud esiriulit.
- Eesmise riuli saab asetada ka alumistele tugiplaatidele ja kasutada alumise plaadina. Vt joonist 11C.



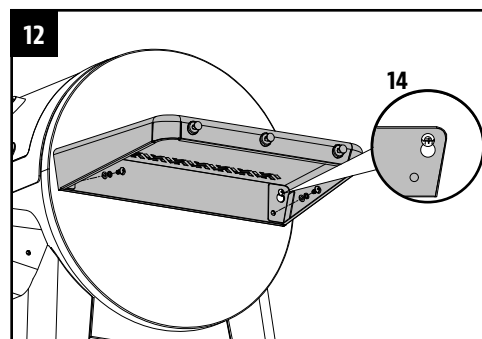
12. KÜLGLAUA PAIGALDAMINE

Vajalikud osad:

- 1 x Külmine riul (#14)

Paigaldus:

- Keerake peatrumlist lahti kaks eelpaigaldatud kruvid. Kõigepealt ühendage külgriiul kruvide külge ja seejärel kinnitage kaks lahti keeratud kruvi paika.
- Kinnitage külgriiul altpoolt kahe kruvi, lukustusseibi ja seibiga peatrumli küljepaneelile.



13. GRILLI KÜPSETUSKOMPONENTIDE PAIGALDAMINE

Vajalikud osad:

- 1 x Leegihajuti põhiplaat (#4)
- 1 x Leegihajuti kelk (#3)
- 1 x Leegihajuti kohendamisvarras (#5)
- 1 x Leegihajuti kohendamisvarda käepide (#6)
- 1 x Suitsu kohendamisvarras (#13)
- 3 x Kuumakate (#7)
- 4 x Portselankattega malmist küpsetusrest (#2)
- 2 x Portselankattega terasest ülemine küpsetusraam (#1)

Paigaldus:

- Sisestage leegihajuti põhiplaat põhigrilli. Toetage leegihajuti põhiplaat põhigrilli sisseehitatud servale (paremal siseküljel), mis juhhib rasva rasvaambri tilale. Libistage kogu koost vasakule ja leegihajuti põhiplaadi kaks pilu sobituvad ümardatud servale tulekolde kohal. See jääb veidi allasuunatud nurga alla. Vt joonist 13A.

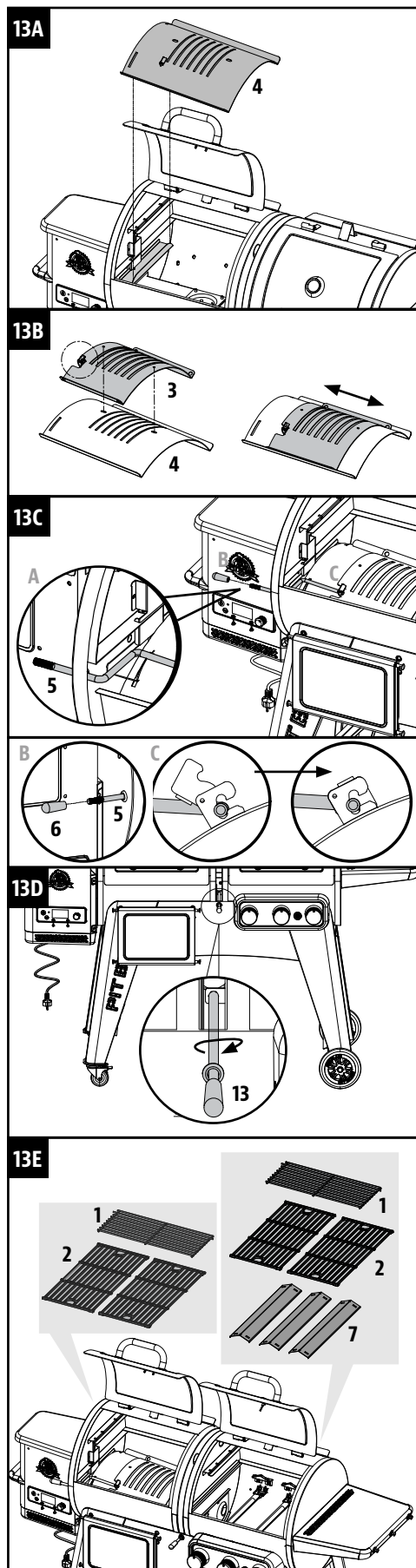
TÄHTIS! Kui leegihajuti põhiplaat asub trumli põhjas, on see paigaldatud valesti. Halb paigaldus võib tekitada kahjustusi teie grilli peatrumliile.

- Asetage leegihajuti kelk leegihajuti põhiplaadile, kattes piluavad. Veenduge, et ülestõstetud konks on vasakul ja kaks tihvti leegihajuti kelgu all istuvad avadesse leegihajuti põhiplaadil, et küpsetamisel lihtsasti kohendada otsest ja kaudset leeki. Leegihajuti mõlemad osad on kergelt kaetud õliga, et vältida roostetamist tarnimise ajal. Vt joonist 13B.

MÄRKUS. Kui leegi broileri liug on avatud ja toiduvalmistamise ajal kasutatakse otsest leeki, ärge jätke grilli mingil perioodil järelevalveta.

- Sisestage leegihajuti kohendamisvarras läbi ava peatrumli vasakul küljel. Lisage leegihajuti kohendamisvarda käepide trumlist väljaulatuvale osale. Järgmisena libistage kohandamisvarda sälguga ots lukustusmehhanismi leegihajuti kelgu küljes, millega saate kohandamiseks pääsu leegihajuti kelgule põhiplaadil. Vt joonist 13C.
- Paigaldage suitsu kohendamisvarras ja keerake see kinni. See peaks sujuvalt ette-taha liikuma. Vt joonist 13D.
- Pange põleti peale kolm kuumakate. Asetage küpsetusvõred kõrvuti põhigrilli sees olevale grilliservale. Asetage ülemine küpsetusraam põhigrilli sees olevale ülemisele servale. Küpsetusraam lukustub paika. Vt joonist 13E.

MÄRKUS! Küpsetusvõrede pruunistus- ja grillimisjõudluse säilitamiseks on vajalik regulaarne hooldus ja korrashoid. Vt kasutusjuhendit.



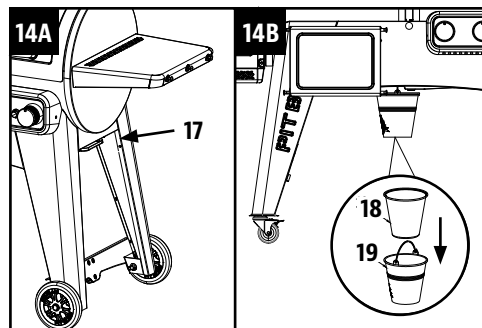
14. RASVAÄMBRI PAIGALDAMINE

Vajalikud osad:

- 1 x Rasvarenn (#17)
- 1 x Rasvaämbri sisemus (#18)
- 1 x Rasvaämber (#19)

Paigaldus:

- Libistage rasvarenn peatrumli põhja. Note illustration 14A.
- Asetage rasvavõru vooder rasvavõru sisse. Asetage rasvaämber põhitrumli põhja tilakonsule. Rasva mahamineku vältimiseks veenduge, et rasvaämber oleks loodis. Vt joonis 14B.



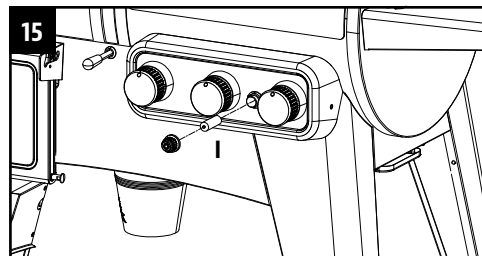
15. PATAREI PAIGALDAMINE

Vajalikud osad:

- 1 x AA-patarei (#1)

Paigaldus:

- Keerake süütekork juhtpaneelilt lahti. Pange aku akupessa positiivne ots (+) väljapoole. Keerake kork tagasi paneelile.
- Seade on nüüd täielikult kokku pandud.



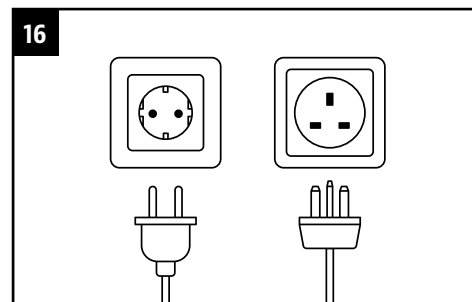
16. TOITEALLIKAGA ÜHENDAMINE

MÄRKUS! Enne toote Pit Boss® ühendamist mis tahes pistikupesaga veenduge, et temperatuuri pöördnupp oleks asendis OFF (VÄLJAS).

- **STANDARDPESA**
Selle seadme tööks on vaja 220–240 V, 50 Hz, 250 W. See peab olema kolmeharuline maandusega pistik.

TÄHTIS! Kui seadet ei kasutata, lahutage seade toiteallikast.

TÄHTIS! Vt kasutusjuhiseid kasutusjuhendist.



SATURA RĀDĪTĀJS

Daļas un specifikācijas	108
Sagatavošana montāžai	110
Montāžas norādījumi	
Taukvielu paplātes balsta montāža	110
Taukvielu paplātes uzstādīšana uz galvenā karkasa.....	110
Vāka aiztura uzstādīšana.....	111
Atbalsta plākšņu un mazo ritenīšu piestiprināšana	111
Atbalsta plākšņu un riteņu piestiprināšana	111
Ratiņu bloka nostiprināšana.....	112
Galvenā karkasa uzstādīšana uz ratiņiem	112
Ratiņu paneļa piestiprināšana pie grila	112
Vāka roktura uzstādīšana.....	113
Priekšējā plaukta kronšteinu piestiprināšana	113
Priekšējā plaukta uzstādīšana.....	113
Sānu plaukta uzstādīšana	114
Grila gatavošanas komponentu uzstādīšana	114
Taukvielu spaiņa uzstādīšana	115
Baterijas ievietošana	115
Savienošana ar strāvas avotu.....	115



PAZIŅOJUMS PAR AUTORTIESĪBĀM

Autortiesības 2021. Visas tiesības paturētas. Nevienam šīs rokasgrāmatas daļu nedrīkst kopēt, pārsūtīt, ierakstīt vai glabāt izgušanas sistēmā nekādā veidā un ne ar kādiem līdzekļiem bez tiešas rakstiskas atļaujas no:

DANSONS EIROPA

11 Rue Galvani Parīze, Francija 75017

DANSONS ZIEMEĻAMERIKA

3411 North 5th Avenue, Suite 500, Phoenix, AZ, USA 85013

KLIENTU APKALPOŠANA

www.pitboss-grills.com

DAĻAS UN SPECIFIKĀCIJAS

Daļas Nr.	Apraksts
1	Augšējais gatavošanas plaukts no tērauda ar porcelāna pārklājumu (x2)
2	Gatavošanas režģis no čuguna ar porcelāna pārklājumu (x4)
3	Slidnis cepšanai liesmās (x1)
4	Galvenā plāksne cepšanai liesmās (x1)
5	Regulators cepšanai liesmās (x1)
6	Regulatora rokturis cepšanai liesmās (x1)
7	Karstuma jumtiņš (x3)
8	Vāka aizturis (x2)
9	Vāka rokturis (x2)
10	Vāka roktura stiprināšanas atloks (x4)
11	Galvenā karkasa / piltuves montāža (x1)
12	Gaļas zonde (x2)
13	Dūmu regulators (x1)
14	Sānu plaukts (x1)
15	Taukvielu paplātes balsts A (x2)
16	Taukvielu paplātes balsts B (x2)
17	Taukvielu paplāte (x1)
18	Iekšējais taukvielu spainis (x1)
19	Taukvielu spainis (x1)
20	Riteniša aizmugurējā atbalsta kāja (x1)
21	Riteniša priekšējā atbalsta kāja (x1)
22-1	Priekšējās kreisās atbalsta kājas apdares detaļa (x1)
22-2	Aizmugurējās kreisās atbalsta kājas apdares detaļa (x1)
23	Bloķejamie riteniši (x2)
24	Aizmugurējā atbalsta kāja (x1)
25	Priekšējā atbalsta kāja (x1)
26	Ritenis (x2)
27	Ratiņu sānu panelis (x2)
28	Ratiņu aizmugurējais panelis (x1)
29	Ratiņu priekšējais panelis (x1)

Daļas Nr.	Apraksts
30	Ratiņu šķērssija M (x1)
31	Ratiņu šķērssija L (x1)
32	Priekšējā plaukta kreisais kronšteins (x1)
33	Priekšējā plaukta labais kronšteins (x1)
34	Priekšējais plaukts (x1)
35	Kabeļu skavas (x1)
36	Strāvas vads - F kontaktdakša (x1)
37	Strāvas vads - G kontaktdakša (x1)
A	Skrūve (x30)
B	Paplāksne (x30)
C	Fiksācijas paplāksne (x30)
D	Skrūve (x26)
E	Paplāksne (x4)
F	Riteņa ass tapa (x2)
G	Riteņa paplāksne (x2)
H	Riteņa šķelttapa (x2)
I	AA baterija (x1)

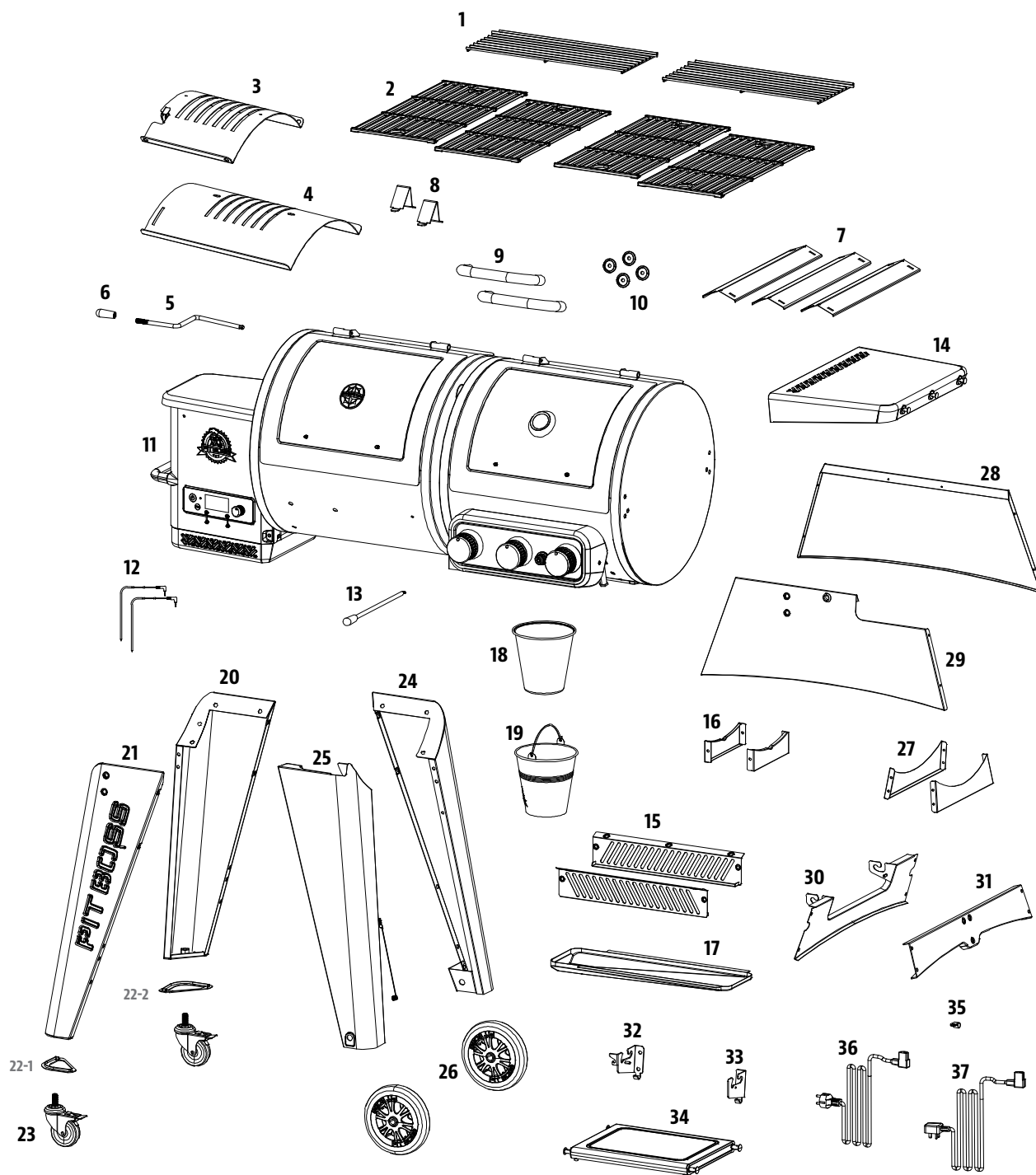
PIEZĪME. Tā kā izstrādājumi tiek pastāvīgi pilnveidoti, daļām var tikt veiktas izmaiņas bez iepriekšēja paziņojuma. Ja, montējot ierīci, kādas daļas trūkst, sazinieties ar klientu apkalpošanas dienestu.

PB – ELEKTRĪBAS PRASĪBAS
220–240 V, 50 Hz, 250 W, 3 ZARU IEZEMĒTS SPRAUDNIS

Shematiskais attēls ir sniegts nākamajā lapā.

MODELIS	SAMONTĒTA IERĪCE (PxAxD)	IERĪCES SVARS	GATAVOŠANAS ZONA		TEMP. DIAPAZONS	DIGITĀLĀS FUNKCIJAS
PB PB1230G	1759mm x 1195mm x 866mm / 69,2" x 47" x 34,1"	92 kg / 202,82 mārc	Galv. granulū - 2580,6 cm ² / 400 kvadrātcollas Augš. plaukts - 1489 cm ² / 230,8 kvadrātcollas KOPĀ - 4069,6 cm² / 630,8 kvadrātcollas	Galv. gāzes - 2580,6 cm ² / 400 kvadrātcollas Augš. plaukts - 1489 cm ² / 230,8 kvadrātcollas KOPĀ - 4069,6 cm² / 630,8 kvadrātcollas	82-260°C / 180-500°F	Desmit temperatūras priekšiestatījumi, palaišanas un dzesēšanas cikli, elektriskais deglis
			GRILS KOPĀ - 8139,2 cm² / 1261,6 kvadrātcollas			

DAĻAS UN SPECIFIKĀCIJAS



A		B		C		D		E	
F		G		H		I			

SAGATAVOŠANA MONTĀŽAI

Daļas ir izvietotas visā kartona pārvadāšanas kastē, tostarp zem grila. Pārbaudiet grilu, daļas un metāla izstrādājumu blisteriepakojumu pēc izņemšanas no aizsargkartona pārvadāšanas kastes. Pirms montāžas izņemiet no iepakojuma visus materiālus — gan grilā gan ārpus tā — un pēc tam pārskatiet un pārbaudiet visas daļas atbilstoši daļu sarakstam. Ja kādas daļas trūkst vai tā ir bojāta, nemēģiniet to samontēt. Garantija neattiecas uz bojājumiem, kas radušies pārvadāšanas laikā. Informāciju par daļām lūdziet dilerim vai Pit Boss® klientu apkalpošanas nodaļai.

www.pitboss-grills.com

SVARĪGI! Lai atvieglotu uzstādīšanu un izvairītos no traumām, ierīces montāžu veiciet divatā.

Montāžai nepieciešamie instrumenti: skrūvgriezis un līmeņrādis. *Instrumenti nav iekļauti komplektācijā.*



MONTĀŽAS INSTRUKCIJAS

SVARĪGI! Pirms montāžas sākšanas saskaņā ar instrukcijām ieteicams pilnībā izlasīt katras darbības aprakstu. Pievelciet skrūves līdz galam tikai pēc visu attiecīgajai darbībai nepieciešamo skrūvju uzstādīšanas. Metāla izstrādājumu kombinācija, kas ietver fiksācijas paplāksni un paplāksni, jāuzstāda tā, lai fiksācijas paplāksne atrastos pēc iespējas tuvāk skrūves galvai.

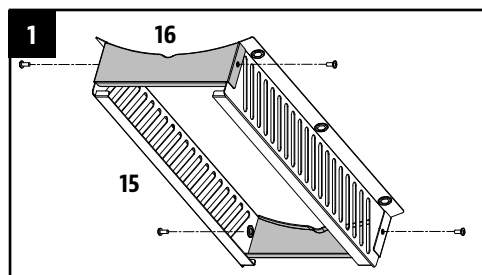
1. TAUKVIELU PAPLĀTES BALSTA MONTĀŽA

Nepieciešamās daļas:

- 2 x Taukvielu paplātes balsts A (#15)
- 2 x Taukvielu paplātes balsts B (#16)
- 4 x Skrūve (#D)

Uzstādīšana:

- Ar četrām skrūvēm piestipriniet tauka balstu A līdz tauka balstam B.



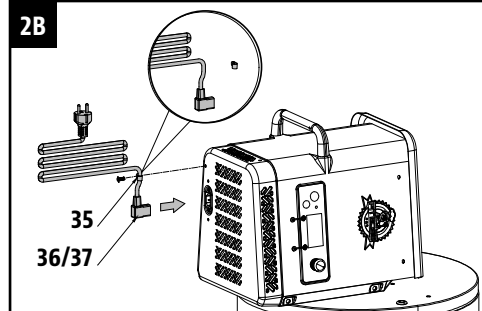
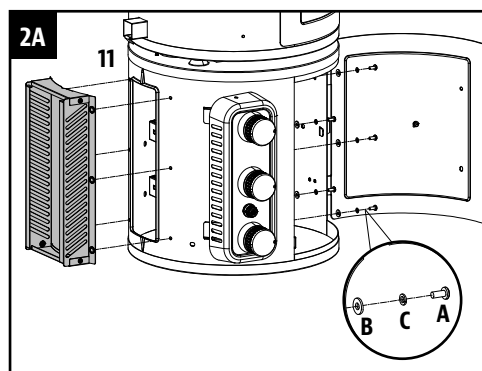
2. TAUKVIELU PAPLĀTES UZSTĀDĪŠANA UZ GALVENĀ KARKASA

Nepieciešamās daļas:

- 1 x Galvenā karkasa / piltuves montāža (#11)
- 6 x Skrūve (#A)
- 6 x Paplāksne (#B)
- 6 x Fiksācijas paplāksne (#C)
- 1 x Strāvas vads (#36/ #37)
- 1 x Kabeļu skavas (#35)

Uzstādīšana:

- Nolieciet uz grīdas kartonu, lai nesaskrāpētu ierīci. Uz kartona novietojiet galveno karkasu (uz sāna, ar piltuves galu uz augšu).
- Ar sešām skrūvēm, fiksācijas paplāksnēm un paplāksnēm uzstādiet taukvielu paplātes balstu uz tā galvenā karkasa gala, kas atrodas pie grīdas. Skatiet 2B attēlu.
- Ja konstatējat, ka strāvas vads neatbilst jūsu izmantotajam spraudnim, aizstājiet to ar jūsu valstij atbilstošu strāvas vadu.
- Novietojiet kabeļu skavas uz pareizā strāvas vada. Ievietojiet strāvas vadu gropē, kas atrodas piltuvtilpnes apakšā. Piestipriniet kabeļu skavu piltuvtilpnes apakšai ar iepriekš uzstādīto skrūvi. Skatiet 2B attēlu.



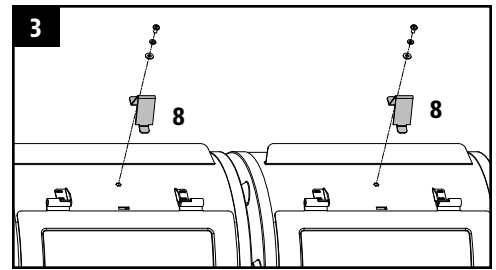
3. VĀKA AIZTURA UZSTĀDĪŠANA

Nepieciešamās daļas:

- 2 x Vāka aizturis (#8)

Uzstādīšana:

- Piestipriniet vāka aizturi galvenā karkasa augšpusei, izmantojot galvenā karkasa augšpusē iepriekš uzstādīto skrūvi.



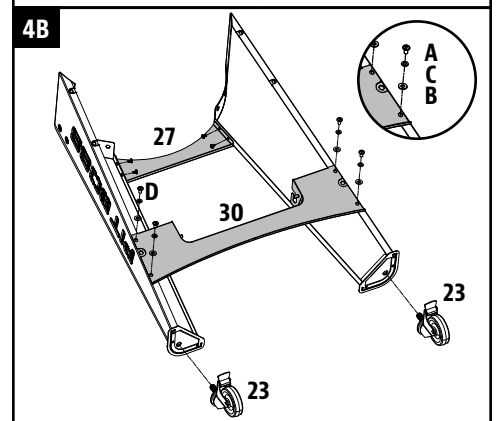
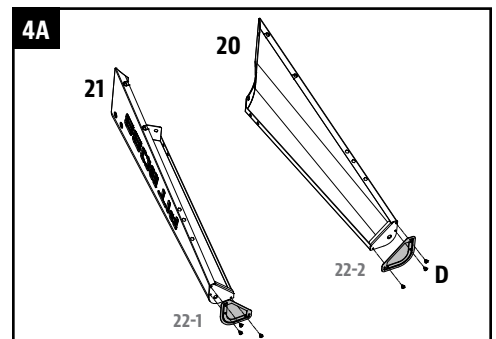
4. ATBALSTA PLĀKŠŅU UN MAZO RITENIŠU PIESTIPRINĀŠANA

Nepieciešamās daļas:

- 1 x Riteniša aizmugurējā atbalsta kāja (#20)
- 1 x Riteniša priekšējā atbalsta kāja (#21)
- 1 x Priekšējās kreisās atbalsta kājas apdares detaļ (#22-1)
- 1 x Aizmugurējās kreisās atbalsta kājas apdares detaļ (#22-2)
- 1 x Ratiņu sānu panelis (#27)
- 1 x Ratiņu šķērssijs M (#30)
- 2 x Bloķējamie riteniši (#23)
- 4 x Skrūve (#A)
- 4 x Paplāksne (#B)
- 4 x Fiksācijas paplāksne (#C)
- 10 x Skrūve (#D)

Uzstādīšana:

- Riteniša priekšējai atbalsta kājai pieskrūvējiet priekšējās kreisās atbalsta kājas apdares detaļu. Riteniša aizmugurējai atbalsta kājai pieskrūvējiet aizmugurējās kreisās atbalsta kājas apdares detaļu. Skatiet attēlu 4A.
- Izmantojot skrūves (#D), fiksējiet iepriekšējā darbībā montēto riteniša priekšējo atbalsta kāju un riteniša aizmugurējo atbalsta kāju pie ratiņu sānu paneļa. Piestipriniet groza atbalsta siju M uz iepriekš saliktām detaļām ar skrūvēm (#A), bloķēšanas paplāksnēm un paplāksnēm. Skatiet attēlu 4B.



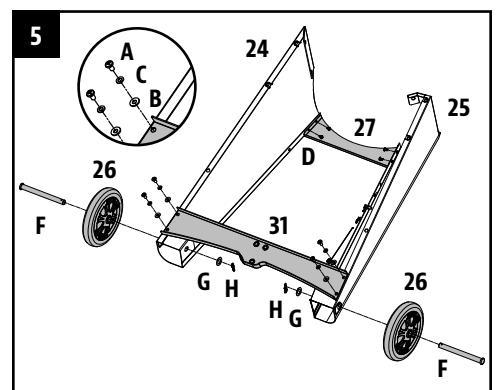
5. ATBALSTA PLĀKŠŅU UN RITENU PIESTIPRINĀŠANA

Nepieciešamās daļas:

- 1 x Aizmugurējā atbalsta kāja (#24)
- 1 x Priekšējā atbalsta kāja (#25)
- 2 x Ritenis (#26)
- 1 x Ratiņu sānu paneli (#27)
- 1 x Ratiņu šķērssijs L (#31)
- 4 x Skrūve (#A)
- 4 x Paplāksne (#B)
- 4 x Fiksācijas paplāksne (#C)
- 4 x Skrūve (#D)
- 2 x Riteņa ass tapa (#F)
- 2 x Riteņa paplāksn (#G)
- 2 x Riteņa šķelttapa (#H)

Uzstādīšana:

- Izmantojot skrūves (#D), fiksējiet aizmugurējo atbalsta kāju un priekšējo atbalsta kāju pie ratiņu sānu paneļa. Iepriekšējā soli nostipriniet groza atbalsta siju L uz samontētā locekļa ar skrūvēm (#A), bloķēšanas paplāksnēm un paplāksnēm.



- Pievienojiet lielo riteni pie atbalsta kājas, ievietojot riteņa ass tapu caur riteņa atbalsta kājas atveri, un pēc tam nostipriniet to ar riteņa šķelttapu. Atkārtojiet uzstādīšanas darbības otram ritenim tajā pašā pusē.

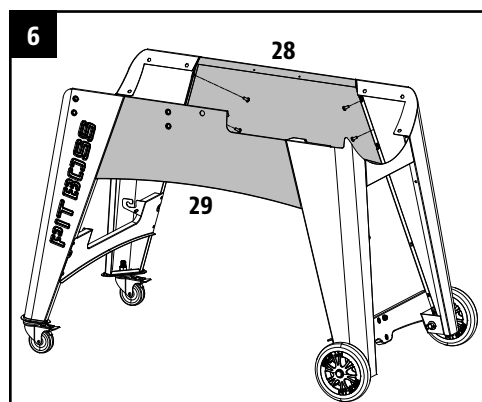
6. RATIŅU BLOKA NOSTIPRINĀŠANA

Nepieciešamās daļas:

- 1 x Ratiņu aizmugurējais paneli (#28)
- 1 x Ratiņu priekšējais panelis (#29)
- 8 x Skrūve (#D)

Uzstādīšana:

- Uzstādiet ratiņu aizmugurējo paneli uz iekārtas divu priekšējo atbalsta kāju priekšpusi. Nostipriniet, izmantojot divas skrūves katrā pusē. Nodrošiniet, lai atbalsta plāksnes plakanā pusē būtu vērsta uz āru. Atkārtojiet tās pašas uzstādīšanas darbības, lai pie pārējām atbalsta kājām piestiprinātu ratiņu priekšējā panela plāksni.



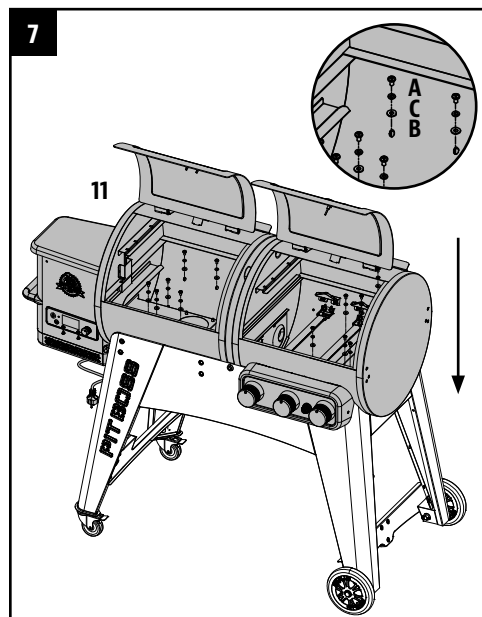
7. GALVENĀ KARKASA UZSTĀDĪŠANA UZ RATIŅIEM

Nepieciešamās daļas:

- 1 x Galvenā karkasa / piltuves montāža (#11)
- 12 x Skrūve (#A)
- 12 x Paplāksne (#B)
- 12 x Fiksācijas paplāksne (#C)

Uzstādīšana:

- Sagatavojiet galveno karkasu uzstādīšanai uz ratiņiem. Novietojiet ratiņus blakus galvenajam karkasam tā, lai abas daļas būtu vērstas vienā virzienā. Nobloķējiet ratiņu ritenišus. Ar otra cilvēka palīdzību sagatavojieties uzcelt galveno karkasu uz ratiņiem. Vienam cilvēkam ceļot karkasu no piltuves puses, bet otram – no pretējās karkasa puses, uzmanīgi paceliet galveno karkasu un lēnām nolaidiet to uz ratiņiem.
- Pēc tam atveriet galvenā karkasa vāku. Regulējiet rotāciju pēc nepieciešamības, lai izlīdzinātu galvenā karkasa skrūvju atveres attiecībā pret ratiņiem. Pēc daļu novietošanas piestipriniet katru kāju pie galvenā karkasa ar trim skrūvēm, paplāksnēm un fiksācijas paplāksnēm.



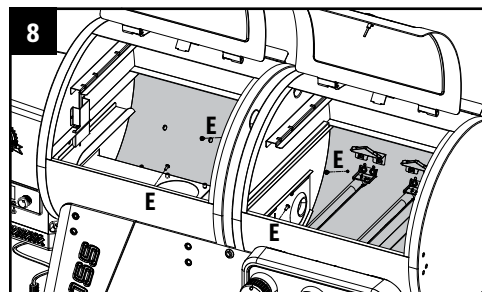
8. RATIŅU PANELA PIESTIPRINĀŠANA PIE GRILA

Nepieciešamās daļas:

- 4 x Skrūve (#E)

Uzstādīšana:

- Ar četrām skrūvēm piestipriniet ratiņu priekšējo/aizmugurējo paneli karkasam.



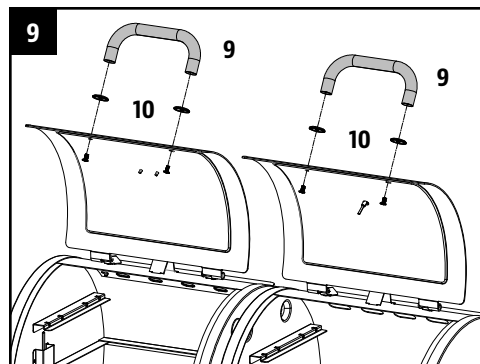
9. VĀKA ROKTURA UZSTĀDĪŠANA

Nepieciešamās daļas:

- 2 x Vāka rokturis (#9)
- 4 x Vāka roktura stiprināšanas atloks (#10)

Uzstādīšana:

- Izņemiet iepriekš uzstādītās skrūves no vāka roktura. Caur karkasa vāka iekšpusi ievietojiet vienu skrūvi, lai tā izvirsītos uz ārpusi. Uzlieciet skrūvei stiprināšanas atloku. Pēc tam ar roku pievelciet skrūvi (no iekšpuses), ieskrūvējot to vāka rokturī. Atkārtojiet šo darbību otrā pusē.



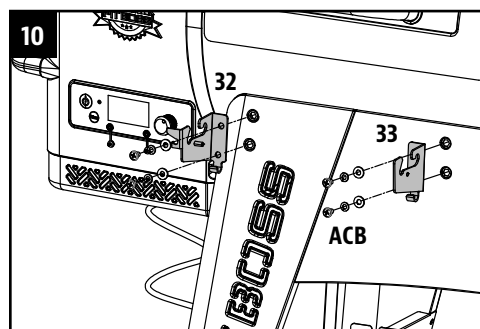
10. PRIEKŠĒJĀ PLAUKTA KRONŠTEINU PIESTIPRINĀŠANA

Nepieciešamās daļas:

- 1 x Priekšējā plaukta kreisais kronšteins (#32)
- 1 x Priekšējā plaukta labais kronšteins (#33)
- 4 x Skrūve (#A)
- 4 x Paplāksne (#B)
- 4 x Fiksācijas paplāksne (#C)

Uzstādīšana:

- Ar divām skrūvēm piestipriniet vienu priekšējā plaukta kronšteinu pie grila karkasa priekšpusē. Ievietojiet katru skrūvi līdz pusei un pēc tam, kad abas skrūves ir ievietotas un pareizi izlīdzinātas, pievelciet līdz galam. Atkārtojiet tās pašas uzstādīšanas darbības otram priekšējā plaukta kronšteinam.



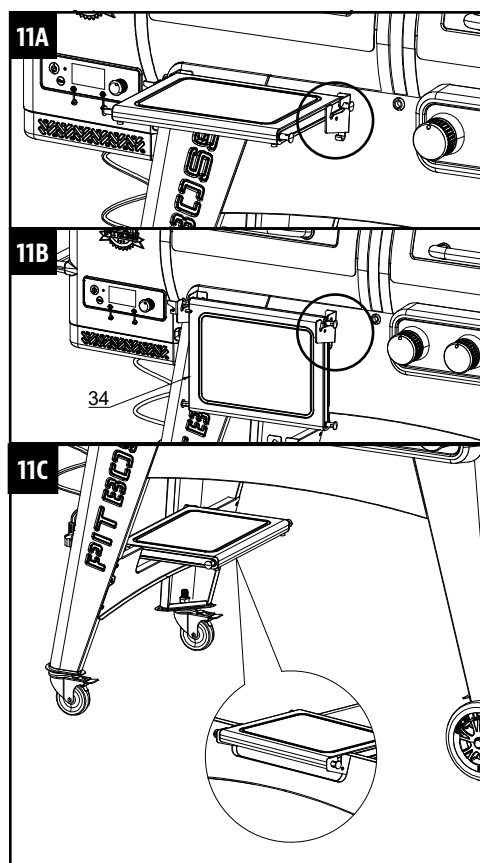
11. PRIEKŠĒJĀ PLAUKTA UZSTĀDĪŠANA

Nepieciešamās daļas:

- 1 x Priekšējais plaukts (#34)

Uzstādīšana:

- Novietojiet priekšējo plauktu uz priekšējā plaukta atbalsta kronšteinu. Skatiet attēlu 11A ar atvērtu priekšējo plauktu.
- Skatiet attēlu 11B ar salocītu priekšējo plauktu.
- Priekšējo plauktu var novietot arī uz apakšējām atbalsta plāksnēm un izmantot kā apakšējo plāksni. Skatiet attēlu 11C.



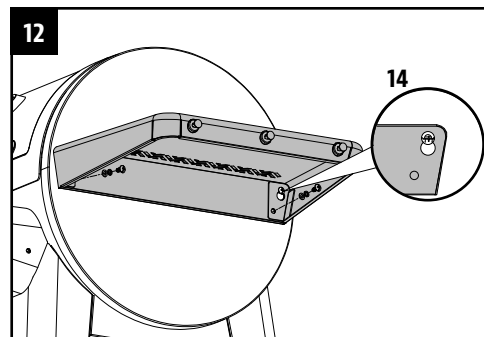
12. SĀNU PLAUKTA UZSTĀDĪŠANA

Nepieciešamās daļas:

- 1 x Sānu plaukts (#14)

Uzstādīšana:

- Nedaudz atbrīvojiet abas iepriekš uzstādītās skrūves galvenā karkasa sānā. Vispirms uzāķējiet sānu plauktu uz skrūvēm un pēc tam pievelciet abas atbrīvotās skrūves.
- No apakšas piestipriniet sānu plauktu pie galvenā karkasa sānu paneļa, izmantojot divas skrūves, paplāksnes un fiksācijas paplāksnes.



13. GRILA GATAVOŠANAS KOMPONENTU UZSTĀDĪŠANA

Nepieciešamās daļas:

- 1 x Galvenā plāksne cepšanai liesmās (#4)
- 1 x Slidnis cepšanai liesmā (#3)
- 1 x Regulators cepšanai liesmās (#5)
- 1 x Regulatora rokturis cepšanai liesmā (#6)
- 1 x Dūmu regulators (#13)
- 3 x Karstuma jumtiņš (#7)
- 4 x Gatavošanas režģis no čuguna ar porcelāna pārklājumu (#2)
- 2 x Augšējais gatavošanas plaukts no tērauda ar porcelāna pārklājumu (#1)

Uzstādīšana:

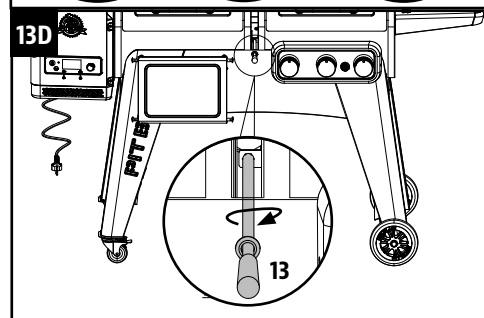
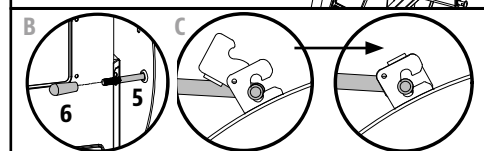
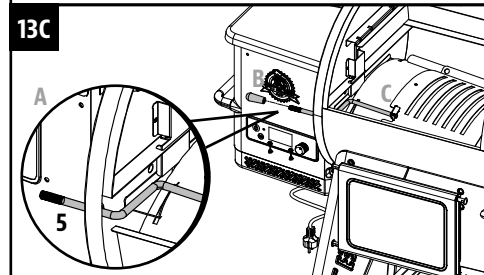
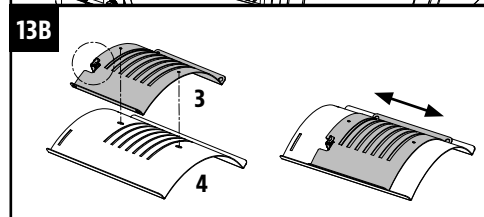
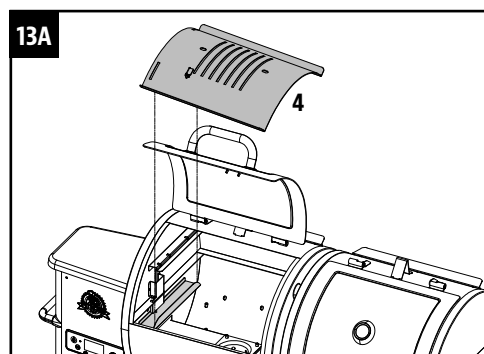
- Grila pamatdaļā ievietojiet galveno plāksni cepšanai liesmās. Atbalstiet galveno plāksni cepšanai liesmās pret grila pamatdaļā iebūvēto malu (iekšpusē pa labi), kura novirza taukvielas uz taukvielu spaiņa tekni. Pabīdiet visas kopā savienotās daļas pa kreisi, un abas rievas, kas atrodas uz galvenās plāksnes cepšanai liesmās, ieguls noapaļotajā malā virs degšanas trauka. Plāksne ieguls nedaudz lejuvērstā slīpumā. Skatiet attēlu 13A.

SVARĪGI! Ja galvenā plāksne balstās uz karkasa pamatnes, tā ir uzstādīta nepareizi. Ja uzstādīšana ir veikta nepareizi, galvenais grila karkass var tikt sabojāts.

- Novietojiet slidni cepšanai liesmās uz galvenās plāksnes cepšanai liesmās, nosedzot riņķveidīgos atvērumus. Pārliecinieties, vai paceltais izcilnis atrodas kreisajā pusē un abas tapas, kas atrodas slidņa cepšanai liesmās apakšpusē, iegulstas šīs galvenās plāksnes cepšanai liesmās atverēs, lai gatavošanas laikā varētu viegli regulēt tiešu un netiešu liesmu. Abas daļas cepšanai liesmās nedaudz ir pārklātas ar eļļu, lai pārvadāšanas laikā nesarūšētu. Skatiet attēlu 13B.

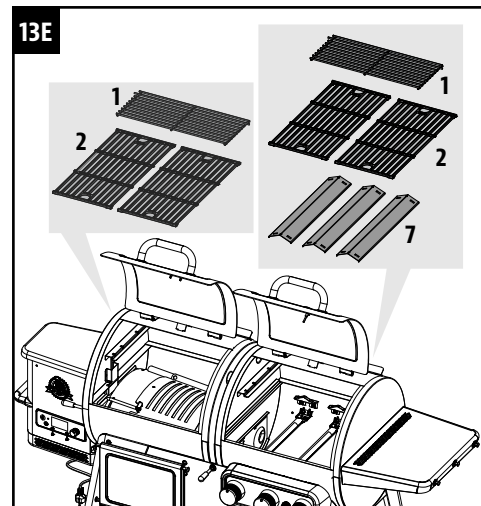
PIEZĪME: Kad ir atvērts liesmas broilera slidnis un vārīšanas laikā tiek izmantota tieša liesma, neatstājiet grilu bez uzraudzības kādu laiku periodu.

- Caur atveri galvenā karkasa kreisajā pusē ievietojiet regulatoru cepšanai liesmās. Galvenā karkasa ārējā galā piestipriniet regulatora rokturi cepšanai liesmās. Pēc tam regulatora ieroboto galu iebīdiēt slidņa cepšanai liesmās fiksācijas izcilnī, nodrošinot regulējamu piekļuvi slidnim cepšanai liesmās uz galvenās plāksnes. Skatiet attēlu 13C.
- Leskrūvējiet un pievelciet dūmu regulatoru. Tam gludi jāslīd no priekšas uz aizmuguri. Skatiet attēlu 13D.



- Novietojiet trīs karstuma jutīgus degļa augšā. Novietojiet gatavošanas režģus vienu blakus otram uz režģa malas galvenā grila iekšpusē. Novietojiet augšējo gatavošanas plauktu uz augšējās malas galvenā grila iekšpusē. Gatavošanas plaukts nofiksēsies vietā. Skatiet attēlu Skatiet attēlu 13E.

PIEZĪME. Lai saglabātu gatavošanas režģu apcepšanas un grilēšanas sniegumu, jāveic regulāra kopšana un apkope. Skatiet lietotāja rokasgrāmatu.



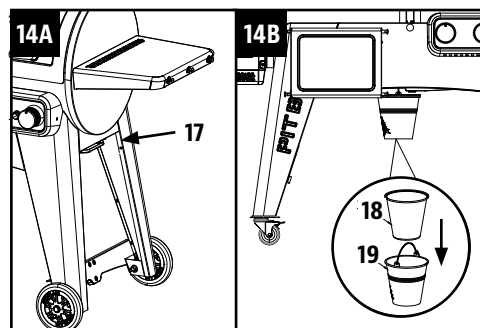
14. TAUKVIELU SPAINA UZSTĀDĪŠANA

Nepieciešamās daļas:

- 1 x Taukvielu paplāte (#17)
- 1 x Lekšējais taukvielu spainis (#18)
- 1 x Taukvielu spainis (#19)

Uzstādīšana:

- Iestumiet taukvielu paplāti galvenā korpusa apakšdaļā. Skatiet attēlu 14A.
- Ievietojiet taukainības ieliktni taukvielu kausa iekšpusē. Novietojiet taukvielu spaini uz teknes āķa galvenā karkasa apakšdaļā. Pārliecinieties, vai tas ir novietots taisni, lai izvairītos no taukvielu noplūdēm. Skatiet attēlu 14B.



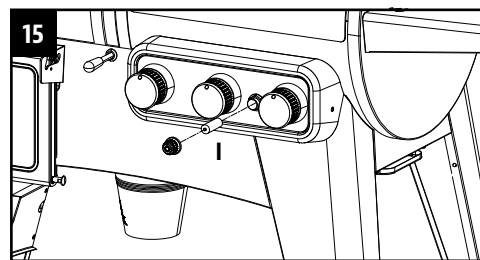
15. BATERIJAS IEVIETOŠANA

Nepieciešamās daļas:

- 1 x AA baterija(#1)

Uzstādīšana:

- Noskrūvējiet aizdedzes vāciņu no vadības panela. Ievietojiet akumulatoru akumulatora slotā ar pozitīvo galu (+) uz āru. Skrūvējiet vāciņu atpakaļ uz panela.
- Tagad iekārta ir pilnībā samontēta.



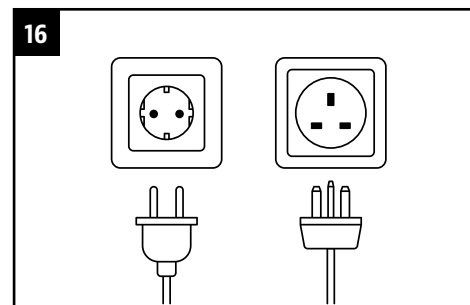
16. PIEVENOŠANA STRĀVAS AVOTAM

PIEZĪME. Pirms Pit Boss pieslēgšanas elektrības ligzdai pārliecinieties, ka temperatūras skala ir pozīcijā OFF (Izslēgta).

- STANDARTA LIGZDA**
Šai iekārtai ir nepieciešama 220-240 voltu, 50 Hz, 250 W jauda. Tai ir nepieciešams 3 zaru iezemētis spraudnis

SVARĪGI! Kad iekārta netiek lietota, atvienojiet to no strāvas avota.

SVARĪGI! Lietošanas instrukcijas skatiet lietotāja rokasgrāmatā.



TURINYS

Dalys ir specifikacijos	117
Pasiruošimas surinkimui.....	119
Surinkimo instrukcijos	
Surinkite riebalų padėklo atramą.....	119
Riebalų padėklo tvirtinimas prie pagrindinio cilindro.....	119
Dangčio fiksatoriaus montavimas	120
Atraminių plokščių ir ratukų tvirtinimas	120
Atraminių plokščių ir ratų tvirtinimas.....	120
Rėmo komplekto tvirtinimas	121
Pagrindinio cilindro tvirtinimas prie vežimėlio	121
Vežimėlio plokštės tvirtinimas prie kepsninės	121
Dangčio rankenos montavimas	122
Priekinės lentynos laikiklių tvirtinimas.....	122
Priekinės lentynos montavimas	122
Šoninės lentynos montavimas.....	123
Kepsninės kepimo komponentų montavimas.....	123
Riebalų surinkimo kibirėlio montavimas.....	124
Baterijos įtaisymas.....	124
Prijungimas prie maitinimo šaltinio	124



PRANEŠIMAS APIE AUTORIŲ TEISES

Autorių teisės 2021 m. Visos teisės saugomos. Jokios šio vadovo dalies negalima kopijuoti, perduoti, perrašyti, saugoti paieškos sistemoje bet kokia forma arba bet kokiomis priemonėmis be aiškaus rašytinio leidimo iš įmonės:

DANSONS EUROPE

11 Rue Galvani Paryžius, Prancūzija 75017

DANSONS ŠIAURĖS AMERIKA

3411 North 5th Avenue, Suite 500, Phoenix, AZ, USA 85013

KLIENTŲ APTARNAVIMAS

www.pitboss-grills.com

DALYS IR SPECIFIKACIJOS

Dalies Nr.	Aprašymas
1	Porcelianu dengta plieninė viršutinė kepimo lentyna (x2)
2	Porcelianu dengtos ketaus kepimo grotelės (x4)
3	Slankioji kepsninės plokštė (x1)
4	Pagrindinė kepsninės plokštė (x1)
5	Kepsninės plokštės reguliavimo sklendė (x1)
6	Kepsninės plokštės reguliavimo sklendės rankenėlė (x1)
7	Karščiui atsparus stovėlis (x3)
8	Dangčio fiksatorius (x2)
9	Dangčio rankena (x2)
10	Dangčio rankenos apsodas (x4)
11	Pagrindinis cilindras / piltuvo komplektas (x1)
12	Mėsos zondas (x2)
13	Rūkyklos reguliavimo sklendė (x1)
14	Šoninė lentyna (x1)
15	A riebalų padėklo atrama (x2)
16	B riebalų padėklo atrama (x2)
17	Riebalų padėklas (x1)
18	Vidinis riebalų surinkimo kibirėlis (x1)
19	Riebalų surinkimo kibirėlis (x1)
20	Ratuko atraminė koja / galinė (x1)
21	Ratuko atraminė koja / priekinė (x1)
22-1	Kairiosios priekinės atraminės kojos apdailos detalė (x1)
22-2	Kairiosios galinės atraminės kojos apdailos detalė (x1)
23	Fiksuojami ratukai (x2)
24	Atraminė koja / galinė (x1)
25	Atraminė koja / priekinė (x1)
26	Ratas (x2)
27	Vežimėlio šoninė plokštė (x2)
28	Vežimėlio galinė plokštė (x1)
29	Vežimėlio priekinė plokštė (x1)
30	M vežimėlio kryžminė sija (x1)

Dalies Nr.	Aprašymas
31	L vežimėlio kryžminė sija (x1)
32	Kairysis priekinės lentynos laikiklis (x1)
33	Dešinysis priekinės lentynos laikiklis (x1)
34	Priekinė lentyna (x1)
35	Kabelio spaustukas (x1)
36	Maitinimo laidas - F kištukas (x1)
37	Maitinimo laidas - G kištukas (x1)
A	Varžtas (x30)
B	Poveržlė (x30)
C	Fiksavimo poveržlė (x30)
D	Varžtas (x26)
E	Poveržlė (x4)
F	Rato ašies kaištis (x2)
G	Rato poveržlė (x2)
H	Rato vielokaištis (x2)
I	AA baterija (x1)

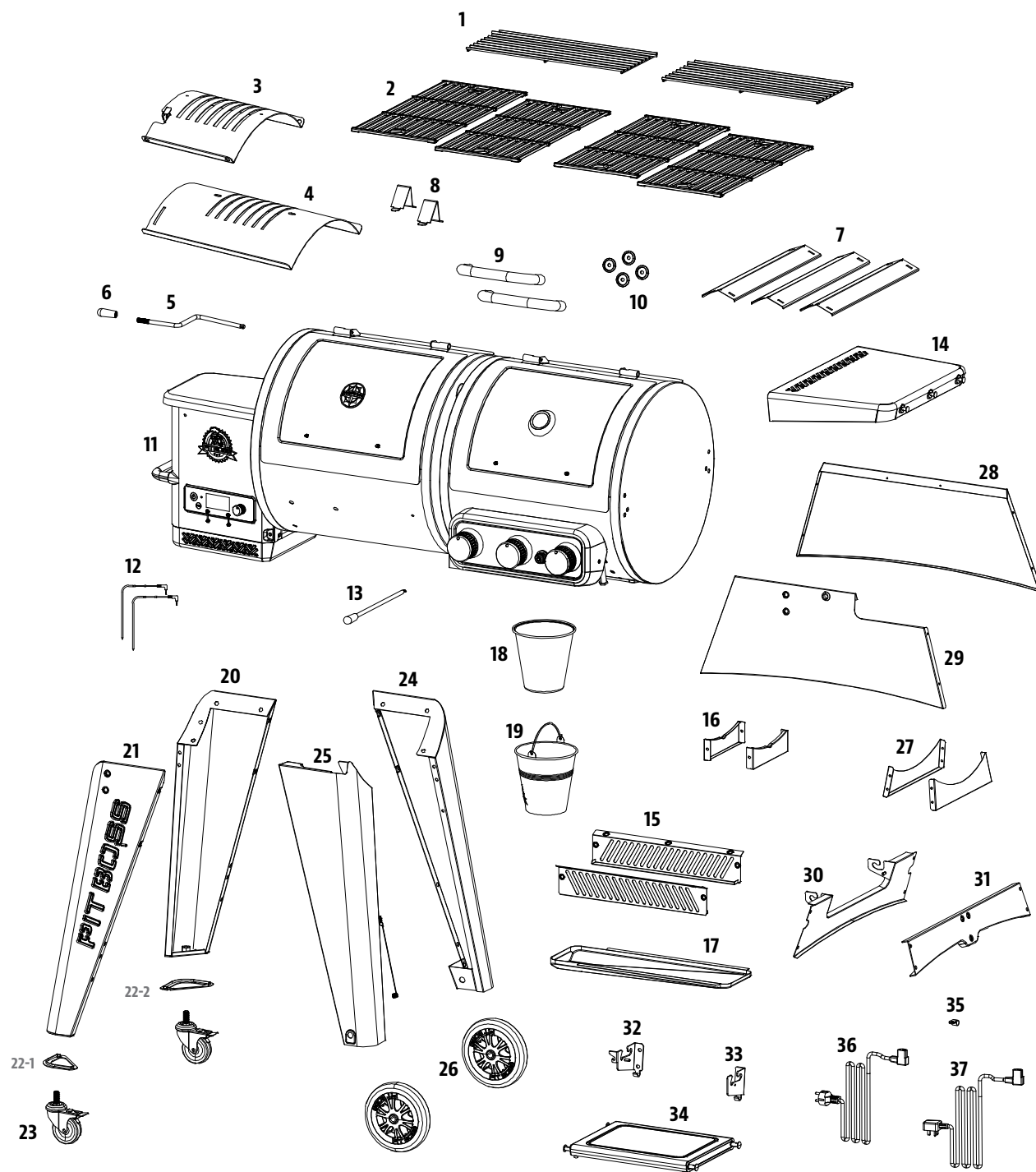
PASTABA. Dėl nuolatinio gaminių tobulinimo dalys gali keistis nepranešus. Susisiekite su klientų aptarnavimo tarnyba, jei prietaiso surinkimo metu trūksta dalių.










PB – ELEKTROS REIKALAVIMAI
220-240 V, 50 Hz, 250 W, TRIŠAKIS ĮŽEMINTAS KIŠTUKAS

Diagramos iliustracija kitame puslapyje.

MODELIS	SURINKTAS PRIETAISAS (PxAxG)	PRIETAISO SVORIS	KEPIMO PLOTAS	TEMP. DIAPAZONAS	SKAITMENINĖS FUNKCIJOS
PB PB1230G	1759mm x 1195mm x 866mm / 69,2" x 47" x 34,1"	92 kg / 202,82 lb	<i>Pagrindinė granulė</i> - 2580,6 cm ² / 400 kv. col. <i>Viršutinė lentyna</i> - 1489 cm ² / 230,8 kv. col. IŠ VISO - 4069,6 cm² / 630,8 kv. col.	82-260°C / 180-500°F	Dešimt išankstinių temperatūros nustatymų, paleidimo ir atvėsimo ciklai, elektrinis uždegiklis
			VISA KEPSNINĖ - 8139,2 cm² / 1261,6 kv. col.		

DALYS IR SPECIFIKACIJOS



A		B		C		D		E	
F		G		H		I			

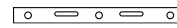
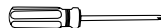
PASIRUOŠIMAS SURINKTI

Dalys yra pateiktos kartoninėje transportavimo dėžėje bei po kepsnine. Apžiūrėkite kepsninę, dalis ir techninės įrangos lizdinę plokštelę išėmę juos iš apsauginės kartoninės transportavimo dėžės. Prieš surinkdami išmeskite visas pakuotės medžiagas, esančias kepsninės viduje ir išorėje, tuomet apžiūrėkite ir patikrinkite, ar yra visos dalys, remdamiesi dalių sąrašu. Jei kokios nors dalies trūksta arba ji yra pažeista, nebandykite surinkti. Transportavimo metu padarytai žalai garantija netaikoma. Dėl dalių kreipkitės į savo pardavėją arba „Pit Boss®“ klientų aptarnavimo tarnybą.

www.pitboss-grills.com

SVARBU: kad montuoti būtų lengviau ir kad nesusižeistumėte, šį prietaisą surinkite dviese.

Norint surinkti reikia šių įrankių: atsuktuvo ir gulsčiuo. *Įrankiai nepridėti.*



SURINKIMO INSTRUKCIJOS

SVARBU: prieš pradėdant surinkti, rekomenduojama instrukcijose iki galo perskaityti kiekvieną veiksmą. Nepriveržkite iki galo varžtų, kol nesumontavote visų varžtų, nurodytų tame veiksmė. Techninės įrangos derinys, apimantis poveržlę ir fiksavimo poveržlę, turi būti montuojamas taip, kad fiksavimo poveržlė būtų arčiausiai varžto galvutės..

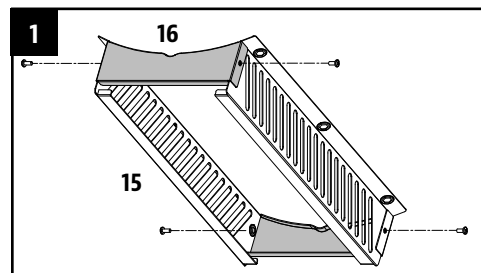
1. SURINKITE RIEBALŲ PADĖKLO ATRAMA

Reikalingos dalys:

- 2 x A riebalų padėklo atrama (Nr. 15)
- 2 x B riebalų padėklo atrama (Nr. 16)
- 4 x Varžtas (Nr. D)

Montavimas:

- A riebalų padėklo atramą pritvirtinkite prie B riebalų padėklo atramos keturiais varžtais



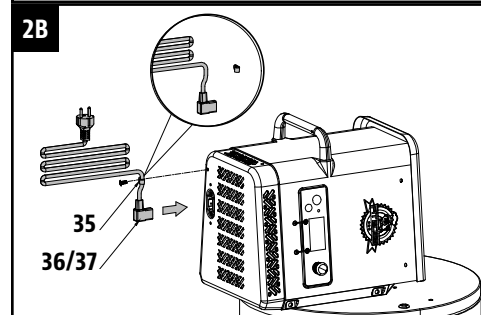
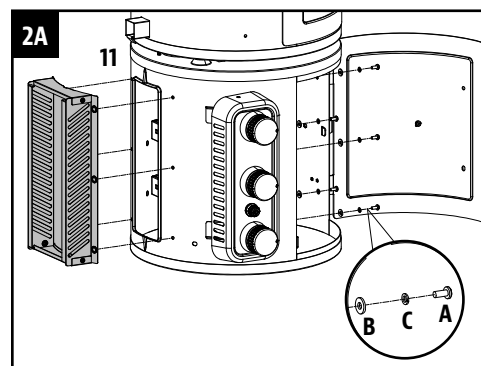
2. RIEBALŲ PADĖKLO TVIRTINIMAS PRIE PAGRINDINIO CILINDRO

Reikalingos dalys:

- 1 x Pagrindinis cilindras / piltuvo komplektas (Nr. 11)
- 6 x Varžtas (Nr. A)
- 6 x Poveržlė (Nr. B)
- 6 x Fiksavimo poveržlė (Nr. C)
- 1 x Maitinimo laidas (Nr. 36/ Nr. 37)
- 1 x Kabelio spaustukas (Nr. 35)

Montavimas:

- Padėkite kartono gabalą ant grindų, kad nesusibraižytų prietaisas. Paguldykite pagrindinį cilindrą šonu (piltuvus turi būti nukreiptas aukštyn) ant kartono.
- Riebalų padėklo atramą pritvirtinkite prie pagrindinio cilindro (arčiau grindų) šešiais varžtais, fiksavimo poveržlėmis ir poveržlėmis. Žr. 2A iliustraciją.
- Jei maitinimo laidas netinka jūsų naudojamam kištukui, pakeiskite jūsų šaliai tinkamu maitinimo laidu.
- Uždėkite kabelio spaustukus ant tinkamo maitinimo laido. Įkiškite maitinimo laidą į piltuvo apačioje esantį griovelį. Pritvirtinkite kabelio spaustuką prie piltuvo dugno naudodami anksčiau išsuktą varžtą. Žr. 2B iliustraciją.



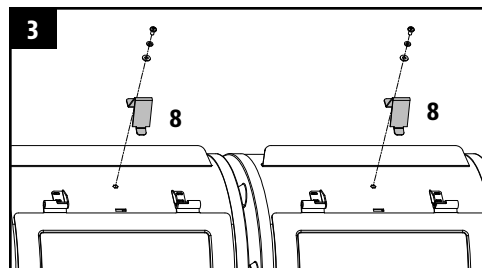
3. DANGČIO FIKSATORIAUS MONTAVIMAS

Reikalingos dalys:

2 x Dangčio fiksatorius (Nr. 8)

Montavimas:

- Pritvirtinkite dangčio fiksatorių ant pagrindinio cilindro viršaus, priveržę pagrindinio cilindro viršuje iš anksto sumontuotą varžtą.



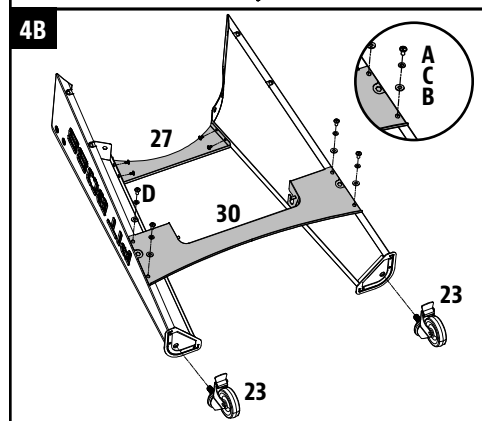
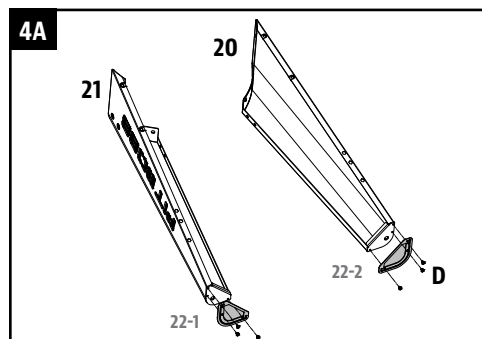
4. ATRAMINIŲ PLOKŠČIŲ IR RATUKŲ TVIRTINIMAS

Reikalingos dalys:

1 x Ratuko atraminė koja / galinė (Nr. 20)
1 x Ratuko atraminė koja / priekinė (Nr. 21)
1 x Kairiosios priekinės atraminės kojos apdailos detalė (Nr. 22-1)
1 x Kairiosios galinės atraminės kojos apdailos detalė (Nr. 22-2)
1 x Vežimėlio šoninė plokštė (Nr. 27)
1 x M vežimėlio kryžminė sija (Nr. 30)
2 x Fiksuojami ratukai (Nr. 23)
4 x Varžtas (Nr. A)
4 x Poveržlė (Nr. B)
4 x Fiksavimo poveržlė (Nr. C)
10 x Varžtas (Nr. D)

Montavimas:

- Kairiosios priekinės atraminės kojos apdailos detalę prisukite prie ratuko kairiosios priekinės atraminės kojos. Kairiosios galinės atraminės kojos apdailos detalę prisukite prie ratuko kairiosios galinės atraminės kojos. Žr. 4A iliustraciją.
- Prieš tai surinktą ratuko priekinę atraminę koją bei galinę atraminę koją priveržkite varžtais (Nr. D) naudodami vežimėlio šoninės plokštės jungtį. Ant surinktos detalės prieš tai uždėtą M vežimėlio kryžminę siją priveržkite varžtais (Nr. A), fiksavimo poveržlėmis ir poveržlėmis. Žr. 4B iliustraciją.



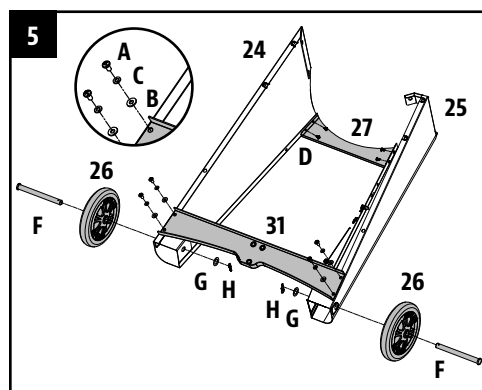
5. ATRAMINIŲ PLOKŠČIŲ IR RATŲ TVIRTINIMAS

Reikalingos dalys:

1 x Atraminė koja / galinė (Nr. 24)
1 x Atraminė koja / priekinė (Nr. 25)
2 x Ratas (Nr. 26)
1 x Vežimėlio šoninė plokštė (Nr. 27)
1 x L vežimėlio kryžminė sija (Nr. 31)
4 x Varžtas (Nr. A)
4 x Poveržlė (Nr. B)
4 x Fiksavimo poveržlė (Nr. C)
4 x Varžtas (Nr. D)
2 x Rato ašies kaištis (Nr. F)
2 x Rato poveržlė (Nr. G)
2 x Rato vielokaištis (Nr. H)

Montavimas:

- Galinę atraminę koją ir priekinę atraminę koją priveržkite varžtais (Nr. D) naudodami vežimėlio šoninę plokštę. Ant surinktos detalės prieš tai uždėtą L vežimėlio kryžminę siją priveržkite varžtais (Nr. A), fiksavimo poveržlėmis ir poveržlėmis.



- Pritvirtinkite didįjį ratą prie atraminės kojos įkišdami rato ašies kaištį per rato atraminės kojos angą, tada pritvirtinkite naudodami rato kaištį. Taip pat sumontuokite kitą ratą toje pačioje pusėje.

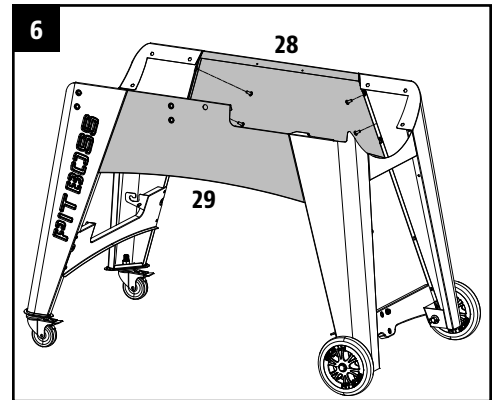
6. RĖMO KOMPLEKTO TVIRTINIMAS

Reikalingos dalys:

- 1 x Vežimėlio galinė plokštė (Nr. 28)
- 1 x Vežimėlio priekinė plokštė (Nr. 29)
- 8 x Varžtas (Nr. D)

Montavimas:

- Sumontuokite vežimėlio galinę plokštę prie priekinių prietaiso atraminių kojų. Tvirtinkite dviem varžtais kiekvienoje pusėje. Įsitikinkite, kad plokščia atraminės plokštės pusė yra nukreipta į išorę. Taip pat sumontuokite vežimėlio priekinę plokštę prie kitų atraminių kojų.



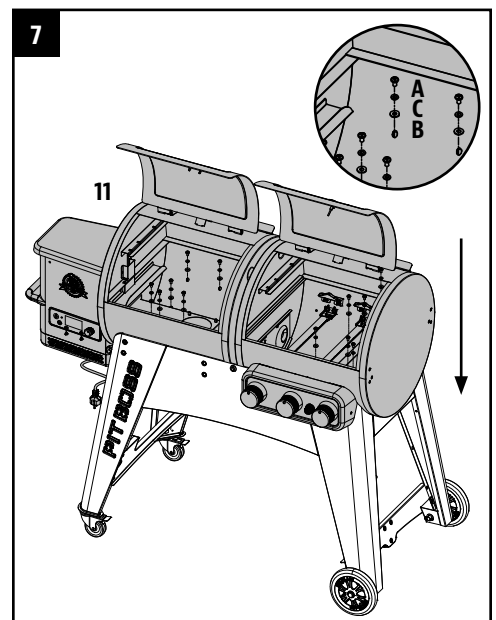
7. PAGRINDINIO CILINDRO TVIRTINIMAS PRIE VEŽIMĖLIO

Reikalingos dalys:

- 1 x Pagrindinis cilindras / piltuvo komplektas (Nr. 11)
- 12 x Varžtas (Nr. A)
- 12 x Poveržlė (Nr. B)
- 12 x Fiksavimo poveržlė (Nr. C)

Montavimas:

- Paruoškite pagrindinį cilindą, kurį reikia pritvirtinti prie vežimėlio. Pastatykite vežimėlį šalia pagrindinio cilindro; abu turi būti nukreipti ta pačia kryptimi. Užfiksuokite vežimėlio ratukus. Pasiruoškite dviese užkelti pagrindinį cilindą ant vežimėlio. Atsargiai pakelkite pagrindinį cilindą: vienas žmogus – piltuvo pusėje, kitas – priešingame cilindro gale; lėtai nuleiskite pagrindinį cilindą ant vežimėlio.
- Tuomet atidarykite pagrindinio cilindro dangtį. Sureguliuokite pasukimą tiek, kiek reikia, kad pagrindinio cilindro varžtų angos būtų sulygiuotos su vežimėliu. Uždėję kiekvieną koją pritvirtinkite prie pagrindinio cilindro naudodami tris varžtus, poveržles ir fiksavimo poveržles.



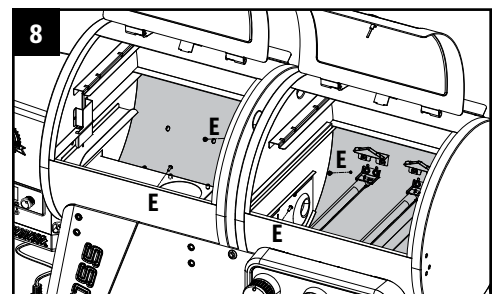
8. VEŽIMĖLIO PLOKŠTĖS TVIRTINIMAS PRIE KEPSNINĖS

Reikalingos dalys:

- 4 x Varžtas (Nr. E)

Montavimas:

- Vežimėlio priekinę (galinę) plokštę prie cilindro tvirtinkite keturiais varžtais.



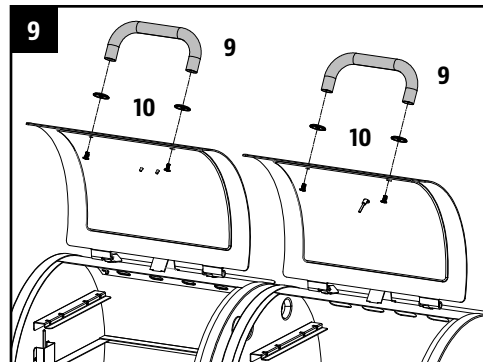
9. DANGČIO RANKENOS MONTAVIMAS

Reikalingos dalys:

- 2 x Dangčio rankena (Nr. 9)
- 4 x Dangčio rankenos apsodas (Nr. 10)

Montavimas:

- Išimkite iš anksto sumontuotus varžtus iš dangčio rankenos. Iš cilindro dangčio vidaus įstatykite vieną varžtą, kad jis išsikištų į išorę. Ant varžto uždėkite apsodą. Tada ranka priveržkite varžtą (iš vidaus) prie dangčio rankenos. Atlikite tuos pačius veiksmus kitoje pusėje.



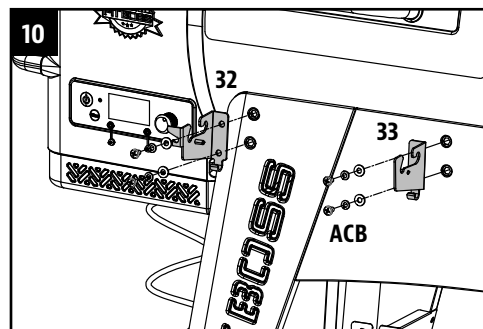
10. PRIEKINĖS LENTYNOS LAIKIKLIŲ TVIRTINIMAS

Reikalingos dalys:

- 1 x Kairysis priekinės lentynos laikiklis (Nr. 32)
- 1 x Dešinysis priekinės lentynos laikiklis (Nr. 33)
- 4 x Varžtas (Nr. A)
- 4 x Poveržlė (Nr. B)
- 4 x Fiksavimo poveržlė (Nr. C)

Montavimas:

- Vieną priekinės lentynos laikiklį pritvirtinkite prie kėpsninės cilindro priekio dviem varžtais. Ne iki galo prisukite kiekvieną varžtą, o kai abu varžtai bus pritvirtinti ir tinkamai sulygiuoti, priveržkite juos iki galo. Taip pat sumontuokite kitą priekinės lentynos laikiklį.



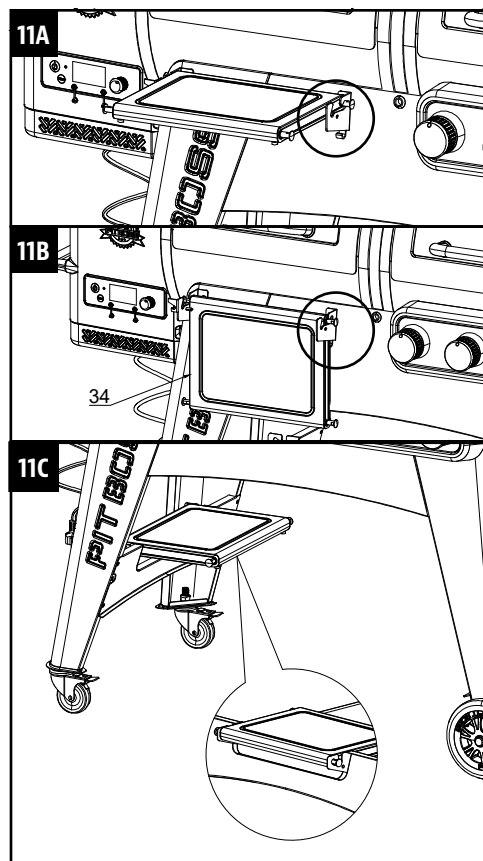
11. PRIEKINĖS LENTYNOS MONTAVIMAS

Reikalingos dalys:

- 1 x Priekinė lentyna (Nr. 34)

Montavimas:

- Uždėkite priekinę lentyną ant priekinės lentynos atraminių laikiklių. Žr. 11A iliustraciją, kurioje priekinė lentyna nulenкта.
- Žr. 11B iliustraciją, kurioje priekinė lentyna nulenкта.
- Priekinę lentyną taip pat galima uždėti ant apatinių atraminių plokščių ir naudoti kaip apatinę plokštę. Žr. 11C iliustraciją.



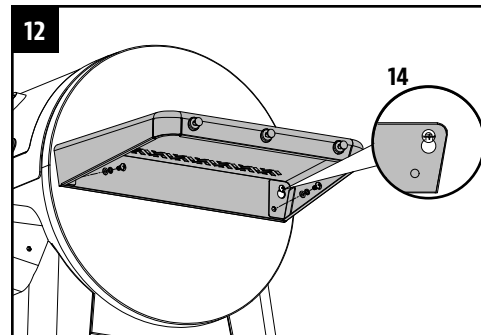
12. ŠONINĖS LENTYNOS MONTAVIMAS

Reikalingos dalys:

- 1 x Šoninė lentyna (Nr. 14)

Montavimas:

- Atlaisvinkite du iš anksto sumontuotus varžtus iš pagrindinio cilindro pusės. Pirmiausia užkabinkite šoninę lentyną ant varžtų, tada priveržkite du iš anksto atlaisvintus varžtus jų vietoje.
- Iš apačios pritvirtinkite šoninę lentyną prie pagrindinio cilindro šoninės plokštės dviem varžtais, poveržlėmis ir fiksavimo poveržlėmis.



13. KEPSNINĖS KEPIMO KOMPONENTŲ MONTAVIMAS

Reikalingos dalys:

- 1 x Pagrindinė kepsninės plokštė (Nr. 4)
- 1 x Slankioji kepsninės plokštė (Nr. 3)
- 1 x Kepsninės plokštės reguliavimo sklendė (Nr. 5)
- 1 x Kepsninės plokštės reguliavimo sklendės rankenėlė (Nr. 6)
- 1 x Rūkyklos reguliavimo sklendė (Nr. 13)
- 3 x Karščiui atsparus stovėlis (Nr. 7)
- 4 x Porcelianu dengtos ketaus kepimo grotelės (Nr. 2)
- 2 x Porcelianu dengta plieninė viršutinė kepimo lentyna (Nr. 1)

Montavimas:

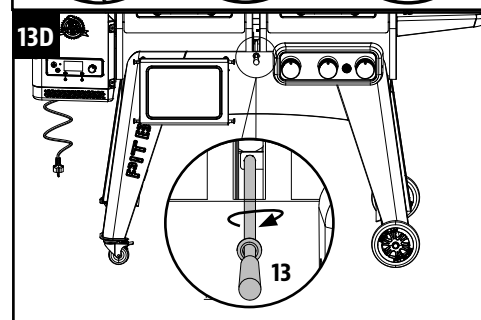
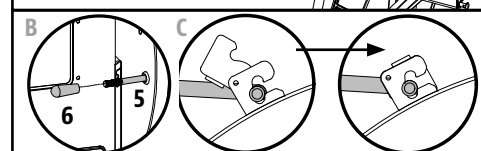
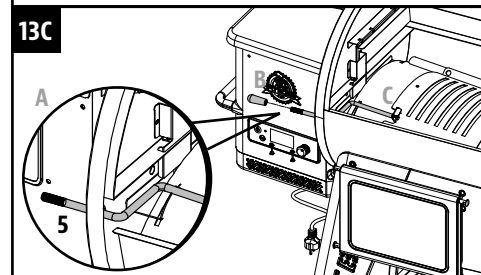
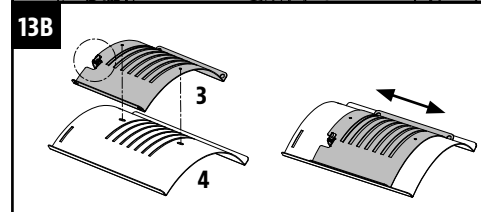
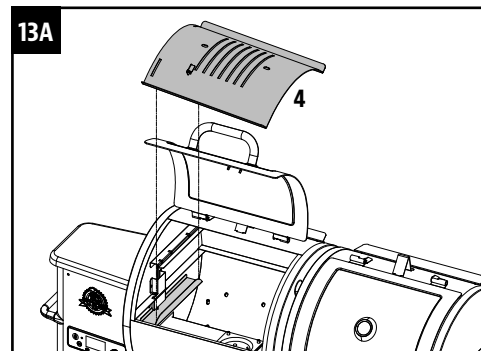
- Įkiškite pagrindinę kepsninės plokštę į kepsninės korpusą. Atremkite pagrindinę kepsninės plokštę ant integruotos kepsninės korpuso briaunos (vidinė dešinė pusė), nukreipiančios riebalus tiesiai į riebalų surinkimo kibirėlio išleidžiamąją angą. Įstumkite visą dalį į kairę pusę, o į kepsninės pagrindinėje plokštėje esančias dvi angas bus įstatyta apvali briauna, esanti virš ugnies indo. Ji bus įstatyta šiek tiek žemyn nukreiptu kampu. Žr. 13A iliustraciją.

SVARBU. Jei pagrindinė plokštė yra atsirėmusi į cilindro pagrindą, ją sumontavote netinkamai. Blogai sumontavus, gali būti sugadintas jūsų kepsninės pagrindinis cilindras.

- Uždėkite kepsninės slankiojančią plokštę ant pagrindinės plokštės, uždengdami angas. Įsitinkinkite, kad iškili ašelė yra kairėje pusėje, o du kaiščiai kepsninės slankiojančios plokštės apačioje įkišti į pagrindinės kepsninės plokštelės skylutes, kad lengvai reguliuotumėte tiesioginę arba netiesioginę liepsną kepimo metu. Abi kepsninės dalys šiek tiek padengtos alyva, kad nerūdytų transportavimo metu. Žr. 13B iliustraciją.

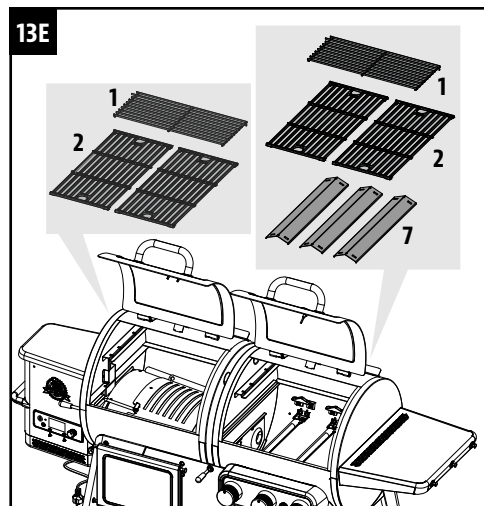
PASTABA: Kai liepsnos broilerių slankiklis yra atidarytas, o virimo metu naudojama tiesioginė liepsna, nepalikite grotelių be priežiūros bet kurį laiką.

- Įstatykite kepsninės plokštės reguliavimo sklendę per atvirą angą kairėje pagrindinio cilindro pusėje. Uždėkite kepsninės plokštės reguliavimo sklendės rankenėlę cilindro gale išorėje. Tuomet įstumkite reguliavimo sklendės rantią galą į slankiosios kepsninės plokštės fiksavimo ašelę, kuri suteikia reguliuojamą priegią prie kepsninės slankiosios plokštės, esančios pagrindinėje plokštėje. Žr. 13C iliustraciją.
- Prisukite rūkyklos reguliavimo sklendę ir ją priveržkite. Turėtų sklاندžiai slankioti nuo priekio iki galo. Žr. 13D iliustraciją.



- Ant degiklio viršaus uždėkite tris karščiui atsparius stovelius. Uždėkite kepimo groteles (vienas greta kitų) kepsninės korpuse ant grotelių briaunų. Uždėkite viršutinę kepimo lentyną kepsninės korpuse ant viršutinių briaunų. Kepimo lentyna užsifiksuos savo vietoje. Žr. 13E iliustraciją.

PASTABA. Norint išlaikyti kepimo grotelių skrudinimo ir kepimo savybes, būtina reguliari priežiūra. Žr. savininko vadovą.



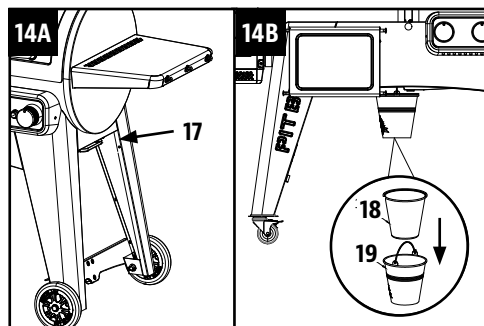
14. RIEBALŲ SURINKIMO KIBIRĖLIO MONTAVIMAS

Reikalingos dalys:

- 1 x Riebalų padėklas (Nr. 17)
- 1 x Vidinis riebalų surinkimo kibirėlis (Nr. 18)
- 1 x Riebalų surinkimo kibirėlis (Nr. 19)

Montavimas:

- Įstumkite riebalų padėklą į pagrindinio cilindro apačią. Žr. 14A iliustraciją.
- Įdėkite riebalų kaušo pamušalą į riebalų kaušo vidų. Uždėkite riebalų surinkimo kibirėlį ant išleidžiamosios angos kabliuko, esančio pagrindinio cilindro apačioje. Įsitikinkite, kad jis uždėtas lygiai, kad neišsiliėtų riebalai. Žr. 14B iliustraciją.



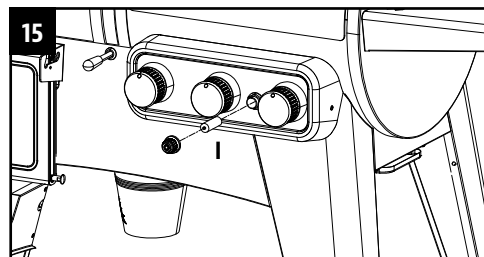
15. BATERIJOS ĮTAISYMAS

Reikalingos dalys:

- 1 x AA baterija (Nr. 1)

Montavimas:

- Atsukite degiklio dangtelį nuo valdymo skydelio. Įdėkite akumuliatorių į akumuliatoriaus angą teigiamuoju galu (+) į išorę. Užsukite dangtelį atgal ant skydelio.
- Prietaisas visiškai surinktas.



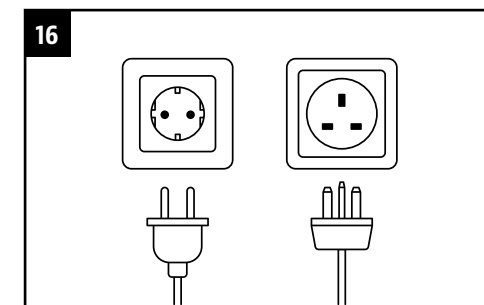
16. PRIJUNGIMAS PRIE MAITINIMO ŠALTINIO

PASTABA: prieš prijungdami „Pit Boss®“ prie elektros lizdo, įsitikinkite, kad temperatūros valdymo rankenėlė nustatyta į padėtį OFF (išjungta).

• STANDARTINIS LIZDAS

Šio prietaiso galios reikalavimai: 220–240 V, 50 Hz, 250 W. Reikia naudoti trišakį įžemintą kištuką.

SVARBU: atjunkite prietaisą nuo maitinimo šaltinio, kai jo nenaudojate.



SVARBU: naudojimo instrukcijas skaitykite savininko vadove



IMPORTANT

DO NOT RETURN PRODUCT TO STORE

For all questions, comments, or inquiries, please contact Dansons directly:
www.pitboss-grills.com

IMPORTANT

NE RETOURNEZ PAS LE PRODUIT AU MAGASIN

Pour toute questions, commentaires ou demandes de renseignements,
veuillez communiquer avec Dansons directement : www.pitboss-grills.com

¡IMPORTANTE!

NO DEVUELVA EL PRODUCTO A LA TIENDA

Para el preguntas, comentarios o consultas, por favor contactar Dansons
directamente : www.pitboss-grills.com

WICHTIG

PRODUKT NICHT INS LAGER ZURÜCKSCHICKEN

Bei Fragen, Kommentaren oder Anfragen wenden Sie sich bitte direkt an
Dansons : www.pitboss-grills.com

IMPORTANTE

NON RESTITUIRE QUESTO PRODOTTO AL NEGOZIO

Per ogni domanda, commento o richiesta, rivolgersi direttamente a Dansons :
www.pitboss-grills.com

PITBOSS-GRILLS.COM

**MADE IN CHINA | FABRIQUÉ EN CHINE | HECHO EN CHINA
IN CHINA HERGESTELLT | FABBRICATO IN CINA**



©2021 DANSONS | 602211203UMV