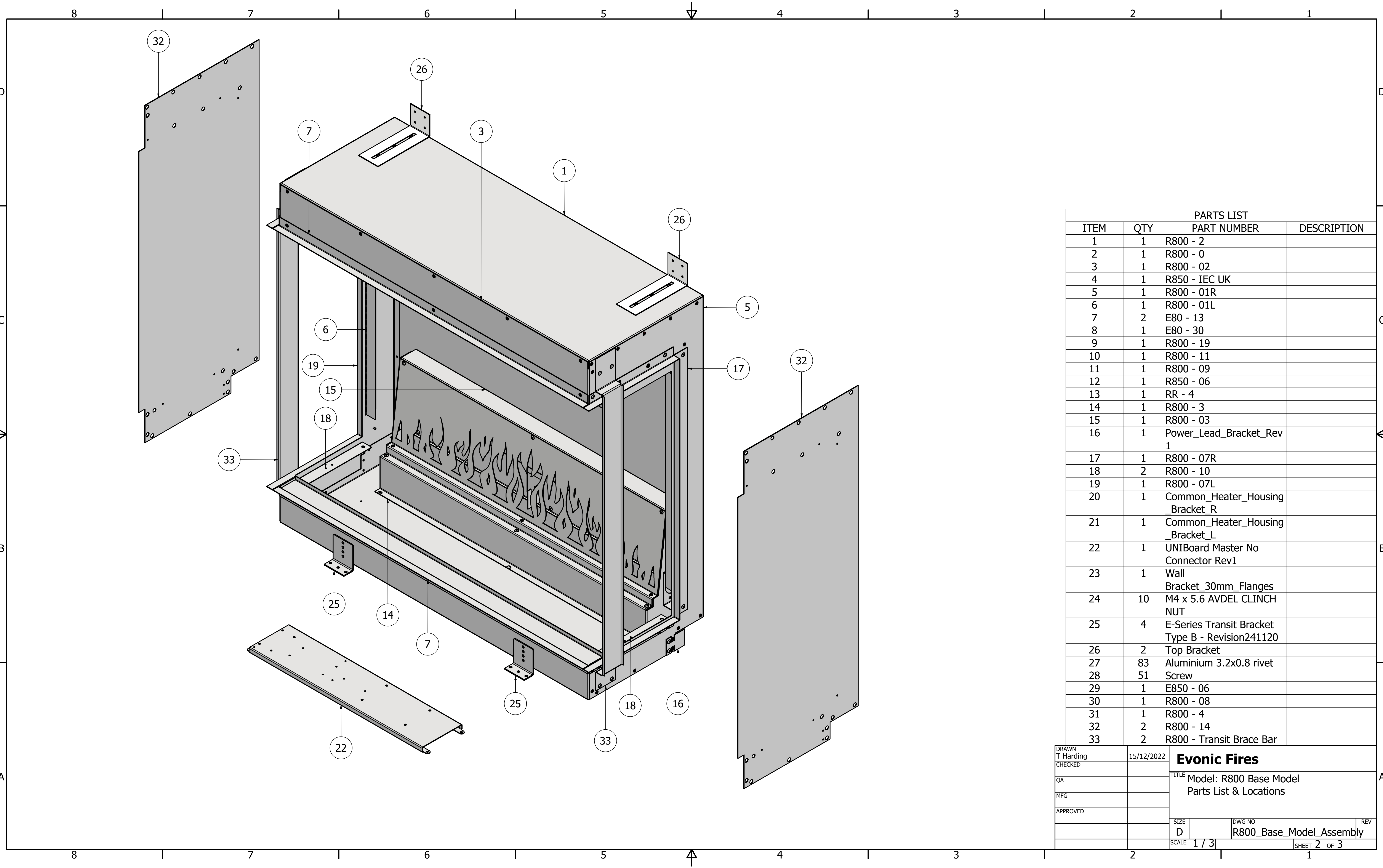
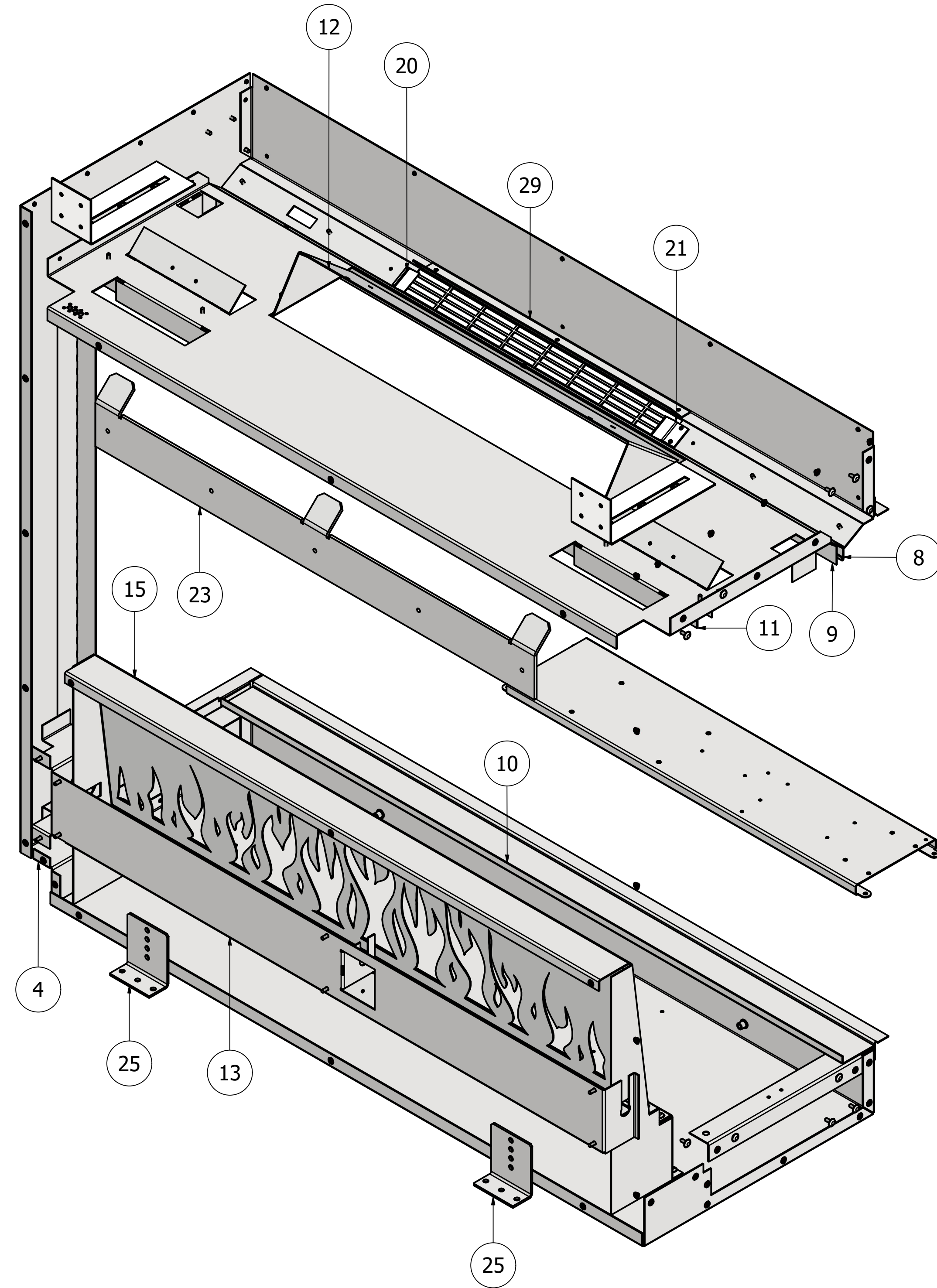


DRAWN T Harding	15/12/2022	Evonic Fires	
CHECKED		TITLE Model: R800 Base Model Overview	
QA		SIZE D	DWG NO R800_Base_Model_Assembly
MFG		SCALE 1 / 5	REV
APPROVED		SHEET 1 OF 3	



PARTS LIST			
ITEM	QTY	PART NUMBER	DESCRIPTION
1	1	R800 - 2	
2	1	R800 - 0	
3	1	R800 - 02	
4	1	R850 - IEC UK	
5	1	R800 - 01R	
6	1	R800 - 01L	
7	2	E80 - 13	
8	1	E80 - 30	
9	1	R800 - 19	
10	1	R800 - 11	
11	1	R800 - 09	
12	1	R850 - 06	
13	1	RR - 4	
14	1	R800 - 3	
15	1	R800 - 03	
16	1	Power_Lead_Bracket_Rev 1	
17	1	R800 - 07R	
18	2	R800 - 10	
19	1	R800 - 07L	
20	1	Common_Heater_Housing Bracket_R	
21	1	Common_Heater_Housing Bracket_L	
22	1	UNIBoard Master No Connector Rev1	
23	1	Wall Bracket_30mm_Flanges	
24	10	M4 x 5.6 AVDEL CLINCH NUT	
25	4	E-Series Transit Bracket Type B - Revision241120	
26	2	Top Bracket	
27	83	Aluminium 3.2x0.8 rivet	
28	51	Screw	
29	1	E850 - 06	
30	1	R800 - 08	
31	1	R800 - 4	
32	2	R800 - 14	
33	2	R800 - Transit Brace Bar	

DRAWN T Harding	15/12/2022	Evonic Fires	
CHECKED			
QA		SIZE D	DWG NO R800_Base_Model_Assembly
MFG		SCALE 1 / 3	REV
APPROVED		SHEET 2 OF 3	



PARTS LIST			
ITEM	QTY	PART NUMBER	DESCRIPTION
1	1	R800 - 2	
2	1	R800 - 0	
3	1	R800 - 02	
4	1	R850 - IEC UK	
5	1	R800 - 01R	
6	1	R800 - 01L	
7	2	E80 - 13	
8	1	E80 - 30	
9	1	R800 - 19	
10	1	R800 - 11	
11	1	R800 - 09	
12	1	R850 - 06	
13	1	RR - 4	
14	1	R800 - 3	
15	1	R800 - 03	
16	1	Power_Lead_Bracket_Rev 1	
17	1	R800 - 07R	
18	2	R800 - 10	
19	1	R800 - 07L	
20	1	Common_Heater_Housing Bracket_R	
21	1	Common_Heater_Housing Bracket_L	
22	1	UNIBoard Master No Connector Rev1	
23	1	Wall Bracket_30mm_Flanges	
24	10	M4 x 5.6 AVDEL CLINCH NUT	
25	4	E-Series Transit Bracket Type B - Revision241120	
26	2	Top Bracket	
27	83	Aluminium 3.2x0.8 rivet	
28	51	Screw	
29	1	E850 - 06	
30	1	R800 - 08	
31	1	R800 - 4	
32	2	R800 - 14	
33	2	R800 - Transit Brace Bar	

DRAWN T Harding	15/12/2022	Evonic Fires	
CHECKED		TITLE Model: R800 Base Model Parts List & Locations	
QA		SIZE D	DWG NO R800_Base_Model_Assembly
MFG		SCALE 1 / 3	REV
APPROVED		SHEET 3 OF 3	