
PLEASE RETAIN



Ellesmere EC4

4.5kW Compact

Multi-Fuel Stove



INSTALLATION AND OPERATING INSTRUCTIONS

This appliance is hot while in operation and retains its heat for a long period of time after use. Children, aged or infirm persons should be supervised at all times and should not be allowed to touch the hot working surfaces while in use or until the appliance has thoroughly cooled.

This stove has an Efficiency Rating of "A+" and has passed the Eco-design 2022 Standard and has met the Standards as defined by DEFRA for Burning Wood in Smoke Free Areas (Can only be used in a Smoke Free Zone when the DEFRA Tube kit is fitted)

TABLE OF CONTENTS

1.	Installation Information, Technical Data, DEFRA & AGA Solid Fuel Stove Warranty Summary	
2.	Installation Checklist	
3.	Important Operation/ Maintenance Notes	
4.	Installation & Operating Instructions	
5.	General	
6.	Flues	
7.	Chimney	
8.	Flue Exit (Top and Rear)	
9.	Down Draughts	
10.	Ventilation & Combustion Air Requirements	
11.	External Ducted Air	
12.	Heat Recovery Ventilation (HRV)	
13.	Location	
14.	Clearance To Combustibles	
15.	Floor Protection	
16.	Stove Dimensions	
17.	Commissioning and Handover	
18.	Operation	
19.	Air Controls	
20.	Recommended Fuels	
21.	Technical Data	
22.	Lighting	
23.	Lighting The Stove	
24.	Refuelling	
25.	Slow Burning	
26.	Disposal of Ashes	
27.	Monthly Maintenance	
28.	Periodic Maintenance	
29.	Chimney Cleaning	
30.	Glass Cleaning	
31.	Cleaning a Matt Black/ Senotherm Stove	
32.	Prolonged Periods of Non Use	
33.	Fire Safety	
34.	Glass Replacement	
35.	CO Alarm	
36.	Exploded View	
37.	Appendix 1 - Annual Servicing Records	
38.	Detailed Warranty	
39.	Energy Efficiency Label Europe & the United Kingdom	

Installation Information

Please complete the following form for reference when required:

Ref.	Description	Please Complete
1	Which retailer did you purchase the stove from?	Name & Address of Retailer:
2	What date did you purchase your new stove?	Date:
3	What was the name of the approved fitter that installed your stove?	Full Name: Contact Number:
4	What is the installer HETAS Registration Number?	HETAS Registration No.:
5	What is the serial Number of your stove? <i>This can be found inside the front door above the bottom hinge</i>	Serial Number:
6	What date was your stove installed?	Date:
7.	The AGA Name, Model & Fuel Type reference for this stove is	Name - Ellesmere Model – EC4 Compact Body Model Fuel Type – Multi-Fuel

Technical Data Summary:

Reference	Description	Data
1	Maximum Heat Output – High Burn	4.5 kW Nominal Heat
2	Minimum Heat Output – Low Burn	2.0 kW
3	Efficiency %	84.8% (Wood) 81.5% (MSF)
4	Energy Label Rating (EEL Eco Labelling)	“A+”
5	Eco-Designed Status	Eco-Design Approved 2022
6	Approved for use in DEFRA Smoke Free Zone	YES

KEY STOVE TECHNICAL DATA OVERLEAF

Appliance Manufacturer: AGA Rangemaster
 Station Road, Ketley
 Telford, Shropshire, TF1 5AQ
 www.agaliving.co.uk

ALSO ADDRESSING ECO-DESIGN 2022 AND DEFRA SMOKE EXEMPTION

GENERAL PRODUCT INFORMATION:

Model Reference:	AGA Ellesmere EC4 – Multi-Fuel Stove Compact Body Model
Energy Efficiency Class of Model:	A+
Net Efficiencies:	Wood: - 81.1% & Ancit (Smokeless Fuel): 80.6%
Eco-Design Standard 2022 Compliant:	Yes – Approved to the Standard
Direct Heat Output:	4.5kW
Indirect Heating Functionality:	No – Air to Air Convectional & Radiant Heat only – No Hot Water
Type of Heat Output Room Temperature Control:	Two or more manual stages, no temperature control
Other Control Options:	N/a
DEFRA – Compliant to the Standard:	Yes – Approved to be used in Smoke Exempt Zones/Areas
Hearth Construction – Approved for:	Superimposed 12mm thick - Non-Combustible Hearth such as (Glass, Steel, Stone or Concrete)
Flue Collar & Flue Pipe Diameter:	Fit 125mm diameter (5.0”) Flue (Single or Twin Walled)
Approved Fuel Types:	Multi-fuel – Dried Wood & Ancit based Smokeless Fuels
Stove Construction:	- 5mm thick - Steel Outer Stove Body & 8mm thick Removable Lid - Cast Iron Door & Handle (<i>Handle with Stainless Steel Outer</i>) - 4mm thick - Ceramic Heatproof Glass - Vermiculate High Temperature - Firebox Liner
AGA - 3 way Air Management System:	Primary, Secondary & Tertiary Air Inlets via 2 x Controls Knobs
External Air Input kit:	Yes – Optional Extra
Stove Directly Fits onto a Log-Store:	Yes – AGA Log-Store Stand 350mm high - Optional Extra
Top or Rear Flue Exit:	Yes - Top or Rear Flue Exit options built in
Rear Heat Shield:	Yes – Rear Heat Shield Fitted as Standard onto the Rear of the Stove
Convection & Radiant Heat Sources Outputs:	Yes – Radiant Heat from Both Sides & Front, with Additional Convectional Heat Ducts from the Rear & Top Outlets
Warranty Period:	5 years – (Excluding Consumable Items – see Operating Manual for full details)
Log Length:	275mm in Length
Sweep Flue through Stove:	Yes – 2 x Removable Top Baffle Plates to Sweep
Grate Type:	Multi-Fuel Grate - Complete with Ash Pan Underneath
Adjustable Bottom Feet for Levelling:	4 x M6 pads fitted to the bottom of feet for adjustment
What’s included with this Stove:	Glove, Ash Pan, Cast Flue Collar, Rear Heat Shield Flue Collar, Cast Log Retainer & Rear Flue Exit Blanking Plate (Fitted to the Stove)
Minimum Flue Height/Pascals Rating:	4.6m High and the flue tested at 12 Pascals

STOVE EFFICIENCY & PERFORMANCE:

Fuel Type	Efficiency (%)		Energy Efficiency Index	Nominal Heat Output (kW)			CO (% @13% Oxygen)
	Net	Gross		Total	To Space	To Water	
Wood Logs	81.1%	74.4%	108	4.5 kW	4.5 kW	N/a	0.09
Maxibrite (MSF*)	80.6%	78.6%	N/A	4.6 kW	4.6 kW	N/a	0.08

*MSF = Manufactured Smokeless Fuel

STOVE EFFICIENCY & PERFORMANCE:

SPACE HEATING PERFORMANCE AT NOMINAL OUTPUT

Fuel(s)	Primary Fuel	Seasonal Efficiency (%)	(mg/m ³)			
			PM	OGC	CO	NOx
Wood Logs	Yes	71.1%	28	58	1125	81
<i>Smokeless Fuel</i>	No	70.6%	7.0	13	1000	90

PERFORMANCE WHEN OPERATED ON PRIMARY FUEL

Rated Heat Output (kW)	4.5kW	Nominal Net Efficiency (%)	81.1%			
Electrical Consumption Nominal (kW)	N/A	Electrical Consumption Minimum (kW)	N/A			
Electrical Consumption Standby (kW)	N/A	Energy Efficiency Index	108	EEI Rating	A+	

Specific Precautions during Assembling, Installing & Maintenance: See *installation instructions* for more information

PRODUCT RECYCLING

Product End-of-Life/Recycling: To dispose of the stove after the product life has expired, please observe the following information

- ✓ *Dispose of the items correctly i.e. separate the parts to be disposed of in material groups*
- ✓ *Always dispose of items in a way that is as sustainable as possible and that is in line with the current environmental protection, reprocessing/recycling and disposal technology*
 - ALL METAL PARTS TO BE RECYCLED
 - ALL GLASS TO BE RECYCLED
 - ALL OTHER COMPONENTS TO BE DISPOSED IN A MANNER ACCORDING TO ENVIRONMENTAL REGULATIONS

MINIMUM DISTANCES TO COMBUSTIBLE MATERIALS:

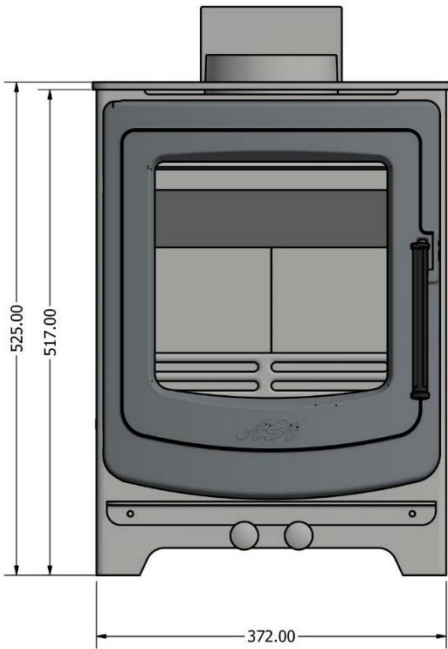
MINIMUM DISTANCES TO COMBUSTIBLE MATERIALS:	Minimum Distances to Combustible Materials (Walls)	
	Back Wall	Side Wall
Flue Fitted – Main Rear Stove Heat Shield Fitted as Supplied		
Fitted with twin walled insulated flue and rear heat shield flue collar extension fitted	250mm	550mm
Fitted with single walled flue with rear heat shield flue collar extension fitted	350mm	550mm

MINIMUM DISTANCES TO NON-COMBUSTIBLE MATERIALS: We recommend a minimum clearance of 100mm to both sides & the back of this stove when being installed next to NON - COMBUSTIBLE MATERIALS into a fireplace opening constructed of solid brickwork

OVERALL STOVE DIMENSIONS – please refer to dimensions drawings below

Height:	525mm - (Excluding Top Flue Collar)
Width:	380mm - (Including the Overhang of the Top Lid)
Depth:	359mm - (Excluding the Overhang of the Handle to the front)

STOVE DRAWINGS WITH KEY DIMENSIONS: (Drawings Not to Scale)



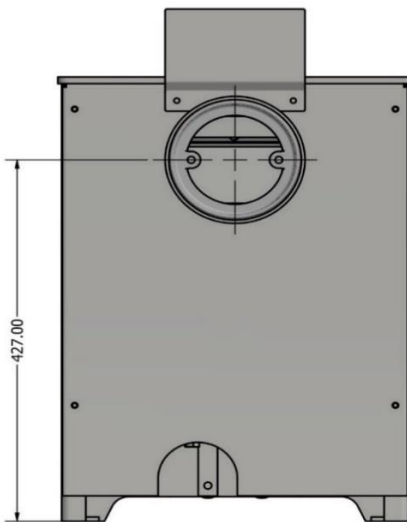
View



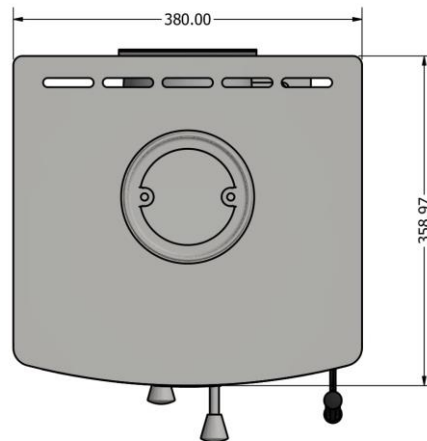
Side View

(Showing Rear Flue Heat Shield Fitted)

Front



Rear View (Showing Rear Flue Exit Option)



Top View

(Showing Top Flue Exit Option)

**EU Commission Delegated Regulation (EU) 2015/1186 - Energy Labelling of Local Space Heaters
CE APPROVED & TESTED TO - BS EN 13240:2001 + Amd 2:2004**

THE CLEAN AIR ACT 1993 AND SMOKE CONTROL AREAS – DEFRA LISTING

This AGA Multi-fuel stove is able to be used smoke controlled areas and is listed on the DEFRA website for this exempt but only under the following conditions

- **Correct Approved fuel is used, with a moisture content of less than 20%**
- **The limiter tube is fitted to the Secondary and Tertiary Air Control Rod**
- **The stove is not overloaded with fuel**
- **The stove is operated as stated in the operating manual supplied**
- **The stove is not overloaded with fuel**
- **Refuelling onto a low fire bed in the correct manner**
- **Not operating the stove with door left open**

Under the Clean Air Act local authorities may declare the whole or part of the district of the authority to be smoke control area. It is an offence to emit smoke from a chimney of a building, from a furnace or from any fixed boiler if located in a designated smoke control area.

It is also an offence to acquire an “unauthorised fuel” for use within a smoke control area unless it is used in an “exempt” appliance (“exempt” from the controls which generally apply in the smoke control area)

In England appliances are exempt by publication on the list by the Secretary of State in accordance with changes made to sections 20 and 21 of the Clean Air Act 1993 by section 15 of the Deregulation Act 2015. Similarly in Scotland appliances are exempt by publication on the list by Scottish Minister under section 50 of the Regulatory Reform (Scotland) Act 2014

In Wales and Northern Ireland these are authorised by regulations made by Welsh Ministers and by the Department of Environment respectively

Further information on the requirements of the Clean Air Act can be found here at:
<https://www.gov.uk/smoke-control-area-rules>

Your local authority is responsible for implementing the Clean Air Act 1993 including designation and supervision of smoke control areas and you can contact them for details of the Clean Air Act requirements

REQUIREMENTS FOR THIS AGA STOVE WHEN BEING USED IN A SMOKE CONTROLLED AREA

APPROVED FUELS TO BE USED

What can I burn in my AGA Multi-fuel Stove - When using this clean burn stove we recommend you use kiln dried or well seasoned wood with a **moisture content of less than 20%** this will give you the optimum burn and the highest efficiency with minimal smoke which emits the harmful Particulate Matters (PMs) into the environment. This will also give you maximum heat output and use the minimal amount of wood.

When burning Green wood or unseasoned wood with a moisture content of greater than 20% you risk discolouration on the door glass and it will most likely use up to twice the amount of fuel to achieve a lesser heat output than if you used the correct fuel. Using Kiln dried or well-seasoned wood will give you greater heat outputs, improved efficiency and therefore running costs, all of which is kinder to our environment and the air that we breathe

FUEL OVERLOADING

The maximum amount of fuel specified in this manual should not be exceeded, overloading can cause excess smoke.

REFUELLING ONTO A LOW FIRE BED

If there is insufficient burning material in the firebed to light a new fuel charge, excessive smoke emission can occur. Refuelling must be carried out onto a sufficient quantity of glowing embers and ash that the new fuel charge will ignite in a reasonable period. If there are too few embers in the fire bed add suitable kindling to prevent excess smoke.

DAMPERS LEFT OPEN

Operation with the air control or appliance dampers open can cause excess smoke. The appliance must not be operated with air controls, appliance dampers or door left open except as directed in the instructions.

OPERATION WITH DOOR LEFT OPEN

Operation with the door open can cause excess smoke. The appliance must not be operated with the appliance door left open except as directed in the instructions.

REQUIREMENTS FOR THIS AGA STOVE WHEN BEING USED IN A SMOKE CONTROLLED AREA

The Ellesmere EC4 Multifuel Stove has been recommended as suitable for use in smoke control areas when burning wood logs. The Ellesmere EC4 Multifuel Stove must be fitted with a permanent stop to prevent closure of the secondary/tertiary control rod beyond the 12.00mm open position. **The tube limiter supplied with the stove must be fitted to meet the requirements before use of the stove**

- Log Dimensions Length maximum 325mm
- Moisture content of less than 20%

FITTING THE TUBE LIMITER TO THE STOVE TO COMPLY WITH THE CLEAN AIR ACT AND DEFRA



INSTRUCTIONS ON HOW TO FIT THE DEFRA TUBE LIMITER

- 1 Pull out the secondary air control knob fully
- 2 Unscrew the stainless steel air control knob on the end and remove from the control rod
- 3 Fit the tube limiter over the control rod
- 4 Refit the air control knob by screwing it back on tightly to the air control rod

NOW THIS IS FITTED THIS STOVE CAN BE USED IN A CLEAN AIR CONTROLLED AREA. BY FITTING THIS TUBE LIMITER THIS WILL PREVENT THE SECONDARY SLIDER FROM FULLY CLOSING AND REDUCE THE SMOKE

SECONDARY AIR CONTROL KNOB

FIT THE DEFRA TUBE ON HERE

FIT THE DEFRA TUBE KIT OVER THE AIR CONTROL ROD ONCE THE AIR CONTROL KNOB IS REMOVED

Drawing not to scale



AGA SOLID FUEL STOVE WARRANTY

CONDITIONS OF WARRANTY

Your AGA Solid Fuel Stove is guaranteed against any part that fails (under normal operating conditions) as detailed in the following table with timelines specified from the date of installation of the appliance. If the unit is not installed within six months of date of purchase, the warranty will commence six months from the date of purchase.

Warranty Period	Parts Covered (Parts Supply Only)
Up to 1 Year	<ul style="list-style-type: none">• Grates• Ceramic glass is covered for Thermal breakage only – Crazeing of the glass is not covered• Aesthetic Damage at point of purchase only (provided reported damage and photos (date marked) are submitted along with a dated receipt from an AGA approved retailer)• Paint finish – under normal firing conditions
Up to 5 Years	<ul style="list-style-type: none">• All external castings and the main stove body (excluding impact damage or damage caused by over-firing). Pictures of damage must be submitted to AGA Service Department.
Items deemed as CONSUMABLE items are not covered by the Warranty	<ul style="list-style-type: none">• Refractory materials (internal fireboards)• Rope seals, glass seals and cement seals.• Ceramic Glass – see notes above

All warranty claims must be submitted with the product serial number (located on the front of the stove below the bottom door hinge), date of purchase, proof of purchase (if requested) and details of the specific nature of the problem.

The warranty is given only to the original consumer/purchaser only and is non-transferable. The appliance must be installed by a suitable qualified person and installed as per the requirements of the manual. Failure to comply with the Installation Requirements or Building Regulations will void your warranty. AGA reserve the right to replace any part due to manufacturing defect that fails within the warranty period under the terms of the warranty. The unit must be used for normal domestic purposes only and in accordance with manufacturer's operation instructions.

LIMITS OF LIABILITY

The warranty does not cover:

- * Special, incidental or consequential damages, injury to persons or property, or any other consequential loss.
- * Any issue caused by negligence, misuse, abuse or circumstances beyond AGA's control.
- * Any issue with wear and tear, modification, alteration, or servicing by anyone other than an authorized service engineer.
- * Installation and operational related problems such as draught related issues external to the stove, inadequate venting or ventilation, excessive flue offsets, negative air pressure caused by insufficient burning of improper fuel.
- * Damage caused to the unit while in transit.
- * Discolouration due to over firing, damage caused by impact, damage to baffles caused by over firing and fading of surface finish on castings and the outer stove body.
- * Stress fractures on bricks.
- * Rust on cast iron parts unless reported prior to unit being installed.
- * Aesthetic damage, rust & missing parts on units purchased off display.

Note: Adequate clearance must be maintained around the appliance to ensure the ease of part removal in the possible event of their damage/failure. AGA are not responsible for any costs incurred in the removal of items installed in the vicinity of the appliance that have to be moved to facilitate a part replacement.

**See fully Warranty Details at the rear of this Manual
Please retain this Manual in a Safe Place to refer to later**

INSTALLATION CHECK LIST

Tick

Flue System

1. Minimum Flue Height of 4.6 metres (15 feet).
2. Appliance should be connected to a 125mm (5") diameter flue pipe throughout
3. The horizontal flue run should not exceed 150mm (6")
4. All flue pipework passing through walls must be sleeved & adequately insulated in line with current Building Regulations.
5. Appliance should be connected to a chimney of less than 200mm (8") in diameter (otherwise the chimney must be lined with a minimum 125mm (5") flue liner).
6. The chimney/ flue termination must be located in accordance with building regulations part J
7. The chimney serving this appliance should not serve any other appliance.
8. Access should be provided to the chimney serving the appliance to allow for cleaning.
9. It is a requirement by Building Regulations to have a carbon monoxide alarm fitted to any room with a solid fuel appliance.

Location

10. Clearance to combustible materials must be adhered to as described in the Clearance to Combustible section.
11. The stove must be installed on a floor protector that covers the area under the stove and extends 460mm (18") to the front, 200mm (8") to the sides and back.
12. Clearance must be maintained to allow for maintenance and part replacement.

Ventilation & Combustion Air Requirements

13. The room in which the appliance is located should have an air vent of adequate size to support correct combustion (see Ventilation & Combustion Air Requirement Section for specific details).
14. The stove must not be installed in the same room as an extractor fan.



IMPORTANT OPERATION / MAINTENANCE NOTES

Now that your AGA Solid Fuel Stove is installed and no doubt you are looking forward to the many comforts it will provide, we would like to give you some tips on how to get the best results from your stove.

1. We would like if you could take some time to read the operating instructions/hints, which we are confident, will be of great benefit to you.
2. Do not burn fuel with a high moisture content, such as a damp peat or unseasoned timber. This will only result in a build up of tar in the stove and in the chimney.

PLEASE NOTE – this AGA stove has been tested by KIWA (who are a leading Test Organisation based in the UK for compliance to the BS EN 13240 Standard, Eco Design 2022 Standard, and the DEFRA Smoke Exempt Standard on Wood Logs and Manufactured Smokeless Briquettes only

IMPORTANT: The first few fires should be relatively small to permit the refractory and paint to set properly and season the stove. During these firings it is recommended to ventilate the room as an unpleasant (not toxic) odour and smoke may be emitted as the paint is completing curement.

LEAVE THE DOOR SLIGHTLY AJAR DURING THE FIRST FIRING TO PREVENT THE ROPE FROM STICKING TO THE PAINT DURING THE CURING PROCESS.

3. **Inspect the flue-ways of the stove weekly and ensure that there are no blockages. Check flue ways before lighting especially after a shut down period. Please see chimney cleaning section.**
4. Never allow a build up of ashes in the ash pan, as this will cause the grate to burn out prematurely. Empty the ashpan when refuelling.
5. Avoid slow burning of damp or unseasoned fuel as this will result in tarring flue ways and chimney i.e. peat or timber.
6. Additionally slow burner/slumbering the stove. This can also cause crazing of the glass once the glass has been crazed it will go cloudy with lines all over the glass once this has occurred the glass needs to be replaced this is not covered by any warranty whatsoever, to help avoid this burn the fire on maximum for a minimum of 5 minutes in every 60 minutes as this help to burned off any substances on the glass
7. Allow adequate air ventilation to ensure plenty of air for combustion.
8. Do not burn rubbish/household plastic.
9. Clean the chimney at least twice a year.
10. Burning soft fuels such as timber and peat will stain the glass. Regular cleaning will prevent permanent staining. Clean with soapy water when cool.
11. Keep all combustible materials a safe distance away from unit, please see section for clearances to combustibles.
12. Never use aerosol spray near the appliance when it is in operation.
13. For safety reasons never leave children or the elderly unaccompanied while stove is in use. Use a fire guard.
14. Avoid contact with the appliance when in use as stove reaches very high operating temperatures.
15. This appliance should be regularly maintained by a competent service engineer.

INSTALLATION & OPERATING INSTRUCTIONS

GENERAL

When installing, operating and maintaining your AGA Stove respect basic standards of fire safety. Read these instructions carefully before commencing the installation. Failure to do so may result in damage to persons and property. Consult your local Municipal office and your insurance representative to determine what regulations are in force. Save these instructions for future reference.

Please note that it is a legal requirement under England & Wales Building Regulations that the installation of the stove is either carried out under Local Authority Building Control approval or is installed by a Competent Person registered with a Government approved Competent Persons Scheme. HETAS Ltd operate such a scheme and a listing of their Registered Competent Persons can be found on their website at www.hetas.co.uk.

Special care must be taken when installing the stove such that the requirements of the Health & Safety at Work Act are met.

Handling

Adequate facilities must be available for loading, unloading and site handling.

Fire Cement

Some types of fire cement are caustic and should not be allowed to come into contact with the skin. In case of contact with the skin wash immediately with plenty of water.

Asbestos

This stove contains no asbestos. If there is a possibility of disturbing any asbestos in the course of installation then please seek specialist guidance and use appropriate protective equipment.

Metal Parts

When installing or servicing this stove care should be taken to avoid the possibility of personal injury.

“IMPORTANT WARNING”

This stove must not be installed into a chimney that serves any other heating appliance.

The complete installation must be done in accordance with current Standards and Local Codes. It should be noted that the requirements and these publications may be superseded during the life of this manual.

Please refer to the current standards, BS EN 15287-1:2007 Design, Installation and Commissioning of chimneys. BS EN 14336:2004: Heating Systems in Buildings. Installation & Commissioning of Water Based Heating Systems. BS EN 12828: 2003; Heating Systems in Buildings. Design of Water Based Heating Systems. BS EN 12831: 2003; Heating Systems in Buildings. method for calculation of the design heat load.

Your AGA stove is supplied with the following items:

- Flue Pipe Heat Shield
- Back Heat Shield – fitted to the stove
- Ashpan with integrated handle & Glove
- Flue Spigot for 125mm diameter flue

FLUES

Flues should be vertical wherever possible and where a bend is necessary, it should not make an angle of more than 45° with the vertical. Horizontal flue runs should be avoided except in the case of a back outlet from the appliance, when the length of the horizontal section should not exceed 150mm.

In order to minimise flue resistance and to make sweeping easier it is recommended to use 2 x 45° bends rather than a 90° bend.

CHIMNEY

Do not connect to a chimney serving another appliance.

The stove is a radiant room heater and must be connected to a chimney of the proper size and type.

The stove is designed to be installed with a 5” (125mm) flue throughout. The stove is supplied with a 5” flue spigot. It is best to connect to a chimney of the same size, as connection to a larger size may result in a somewhat less draught.

A flue that has proved to be unsatisfactory, particularly with regard to down draught should not be used for venting this appliance until it has been examined and any faults corrected. An existing masonry chimney should be inspected and if necessary repaired by a competent mason or relined using an approved lining system.

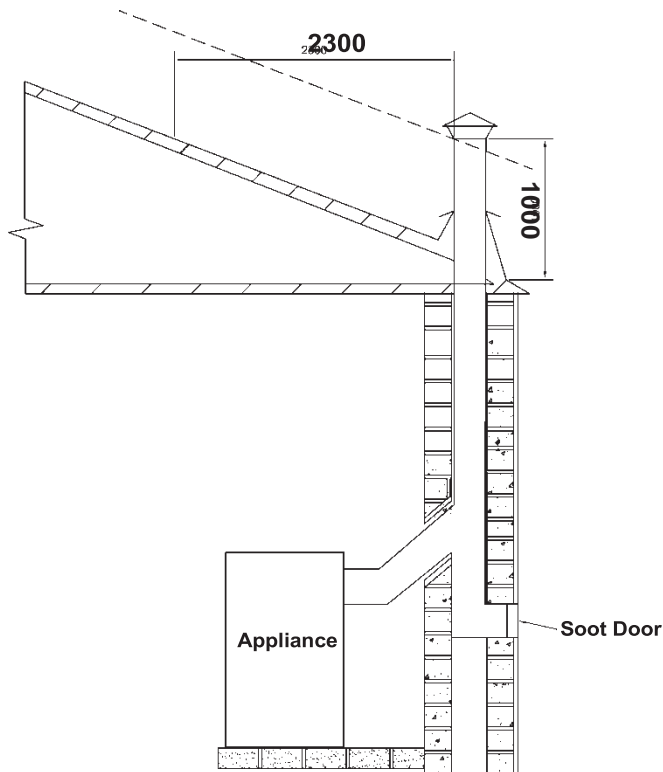
All register plates, restrictor plates, damper etc., which could obstruct the flue at a future date should be removed before connecting this appliance.

If connecting to an existing chimney with a flue diameter of more than 200mm (8") it is recommended to line the flue using a suitable stainless steel flue liner.

Where a masonry chimney is not available a proprietary type of 5"/125mm - twin wall, fully insulated pipe may be used. The pipe must terminate at a point not lower than the main ridge of adjacent out- side obstructions. With such installation, access to the chimney must be provided for cleaning purposes.

A chimney / flue termination must be located to minimise wind effects, a basic guide is that the distance from the termination to the roof should be at least 2300mm when measured horizontally and at least 1000mm when measured vertically, (see Fig.1). In circumstances where there are adjoining buildings/ structures/ roof openings there are additional requirements, please refer to building regulations part J.

Fig.1



FLUE EXIT (TOP & REAR)

The stove is designed to allow the chimney to be cleaned through the stove. If the chimney cannot be cleaned through the stove it is necessary to provide a soot box/ access door in the flue for cleaning. See Fig.2 for recommended locations. Fit it to the stove as shown in Fig.2.

The stove comes partially configured for top outlet and requires the flue spigot (supplied in the firebox) to be fitted to the top outlet flue connection as shown in Fig 3 using the nuts & bolts provided.

To configure for back outlet flue connection, remove the top plate and remove the back heat shield by lifting it up to remove it from its four fixing points. Remove the flue blanking plate from the back outlet connection. Remove the flue spigot from the top connection and fit it to the back outlet connection. Fit the flue blanking plate to the top outlet connection. Remove the cut-out on the back heat shield and refit the heat shield. Refit the hob and fit the hob blanking plate (see Fig 4).

Fig.2

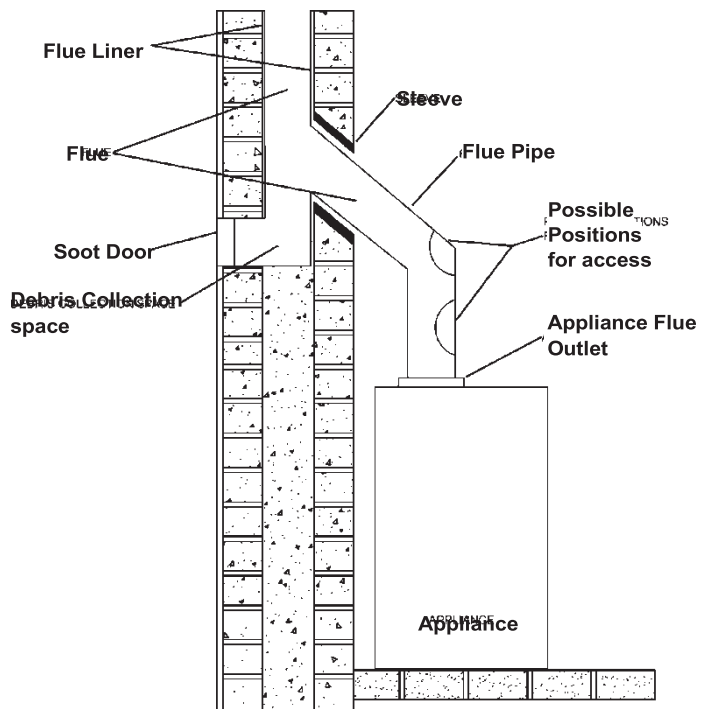
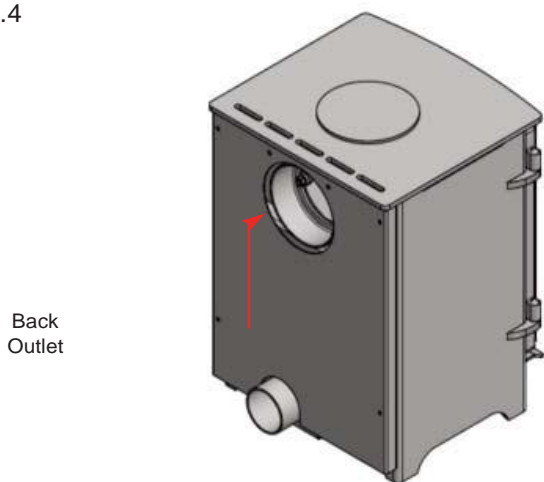


Fig.3



Fig.4



VENTILATION & COMBUSTION AIR REQUIREMENTS

It is imperative that there is sufficient air supply to the stove in order to support correct combustion. The air supply to this appliance must comply with current Building Regulations Part J, Heat Providing Appliances. If another appliance is fitted in an adjacent room it will be necessary to calculate an additional air supply.

The minimum effective air requirement for this appliance is 3cm². When calculating combustion air requirements for this appliance use the following equation:

550mm² per each kw of rated output above 5kw should be provided, where a flue draught stabiliser is used the total free area shall be increased by 300mm² for each kw of rated output.

NOTE:

There must not be an extractor fan fitted in the same room as the stove as this can cause the stove to emit smoke and fumes into the room.

All materials used in the manufacture of air vents should be such that the vent is dimensionally stable, corrosion resistant, and no provision for closure.

The effective free area of any vent should be ascertained before installation. The effect of any grills should be allowed for when determining the effective free area of any vent.

Air vents should be positioned so that they are not liable to blockage.

Air vents direct to the outside of the building should be located so that any air current produced will not pass through normally occupied areas of the room.

An air vent outside the building should not be located less than the dimensions specified within the Building Regulations and B.S. 8303: Part 1 from any part of any flue terminal. These air vents must also be satisfactorily fire proofed as per Building Regulations and B.S. 8303: Part 1.

Air vents in internal walls should not communicate with bedrooms, bedsits, toilets, bathrooms or rooms containing a shower.

Air vents traversing cavity walls should include a continuous duct across the cavity. The duct should be installed in such a manner as not to impair the weather resistance of the cavity.

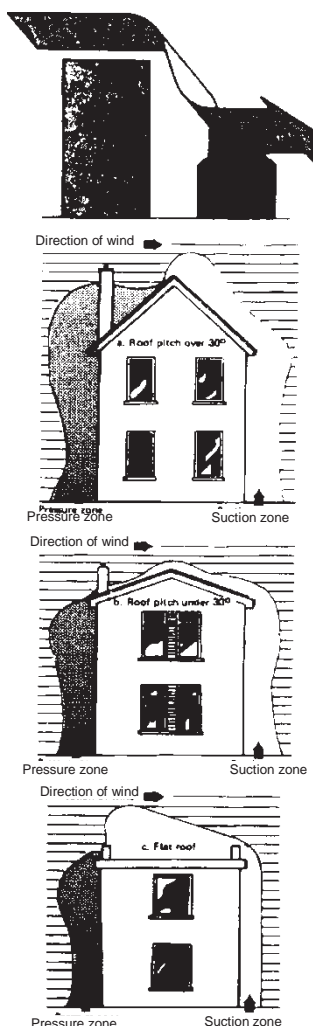
Joints between air vents and outside walls should be sealed to prevent the ingress of moisture. Existing air vents should be of the correct size and unobstructed for the appliance in use.

DOWN DRAUGHTS

However well designed constructed and positioned, the satisfactory performance of the flue can be adversely affected by down draught caused by near-by hills, adjacent tall buildings or trees. These can deflect wind to blow directly down the flue or create a zone of low pressure over the terminal.

A suitable terminal or cowl will usually effectively combat direct down blow but no cowl is likely to prevent down draught due to a low pressure zone. (See Fig.5).

Fig.5



If there is an extraction fan fitted in adjacent rooms where this appliance is fitted, additional air vents may be required to alleviate the possibility of spillage of products of combustion from the appliance/flue while the fan is in operation. Refer to B.S. 8303 Part 1.

Where such an installation exists, a test for spillage should be made with the fan or fans and other appliances using air in operation at full rate, (i.e. extraction fans, tumble dryers) with all external doors and windows closed.

If spillage occurs following the above operation, an additional air vent of sufficient size to prevent this occurrence should be installed.

Especially Airtight Properties:-

If the stove is being fitted in a property where the design air permeability is less than $5\text{m}^3 / (\text{h.m}^2)$ (normally newer properties built from 2006), then a permanent ventilation must be fitted to provide 550mm^2 of ventilation for each kW of rated output. If a draught stabiliser is also fitted then the requirement is 850mm^2 per kW of rated output.

EXTERNAL DUCTED AIR

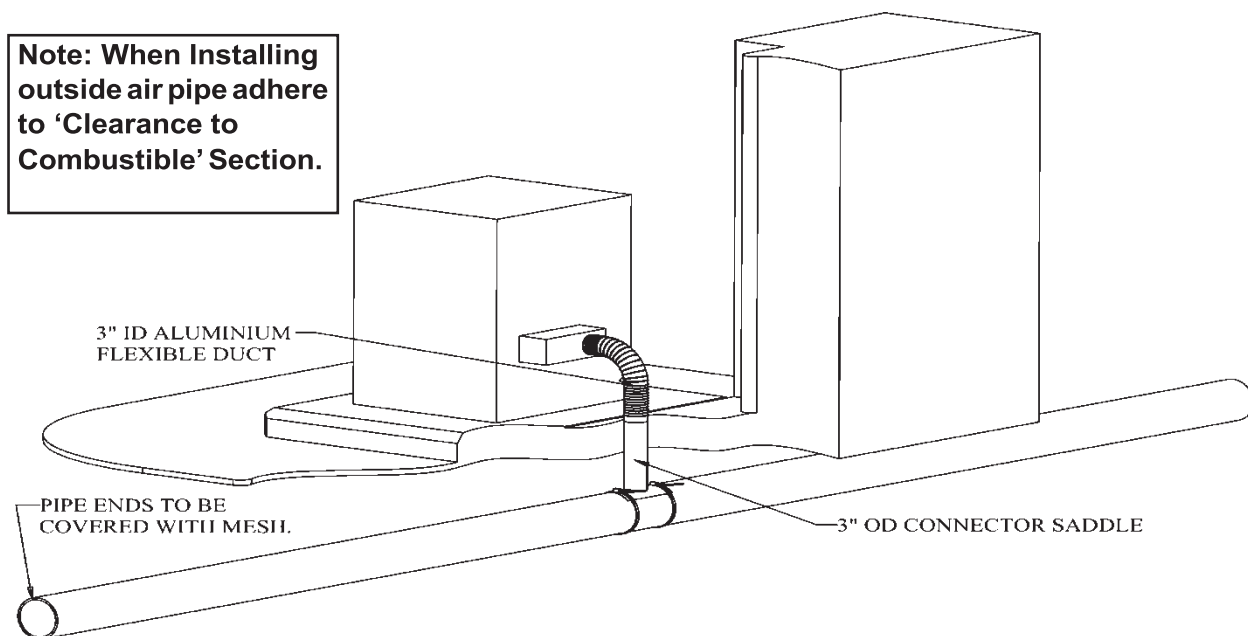
An outside air kit which will allow for the air supply for the stove to be ducted from outside and is available to order for connection to the stove.

It is recommended to bring the air supply for the stove into the house using a 4" plastic pipe. Where the pipe meets the outside wall make sure a vent cover is fitted properly to ensure no rodents can enter via the vent pipe.

The vent pipe should be located to prevent the ingress of moisture and in a location where it will not get blocked with leaves or any other debris. As wind effects can create suction and pressure zones of opposite sides of the dwelling it is recommended to run the air vent from opposite poles (North, South, East & West) of the dwelling and tee off for the air supply to the stove. This should negate the effect of suction and pressure zones. See Fig.6

'HETAS product approval covers this appliance when installed in accordance with the manufacturer's instructions and relevant standards. As there is currently no standard for Ducted Combustion Air Supply this does not fall within the remit for HETAS product approval. Responsibility for the specification of this and for appropriate manufacturer's instructions is carried by the appliance manufacturer, as allowed for under the Building Regulations.'

Fig.6



HEAT RECOVERY VENTILATION

Where a stove is to be installed in a dwelling with *Heat Recovery Ventilation* (HRV) a number of precautionary measures must be undertaken:

Where the product is to be installed with a Mechanical Ventilation, the stove must be connected to an external air supply, The ductwork for the external air supply must be no longer than 6 metres and the air inlet terminal to the ductwork must have a cross sectional area of at least 80cm².

LOCATION

There are several conditions to be considered in selecting a location for your AGA Stove.

- Position in the area to be heated, central locations are usually best.
- Allowances for proper clearances to combustibles.
- Allowances for proper clearances for maintenance work.

CLEARANCES TO COMBUSTIBLES

Maintain at least the following clearances to all combustible material:

From the Front	1000mm (39 ² / ₂ "
From the Back (with heatshields fitted & twin wall insulated pipe - see Fig 7)	250mm (10")
From the Back (with heat shields fitted & single wall pipe)	350mm (14")
From the Sides	550mm (21 ³ / ₄ "
From the Flue Pipe (with heat shields fitted & twin wall insulated pipe - see Fig 7)	250mm (10")
Mantle Clearance	Refer to Building Regs
Brick wall minimum clearance, but allow access for controls and servicing.	

Fig.7

Vertical Heat Shield

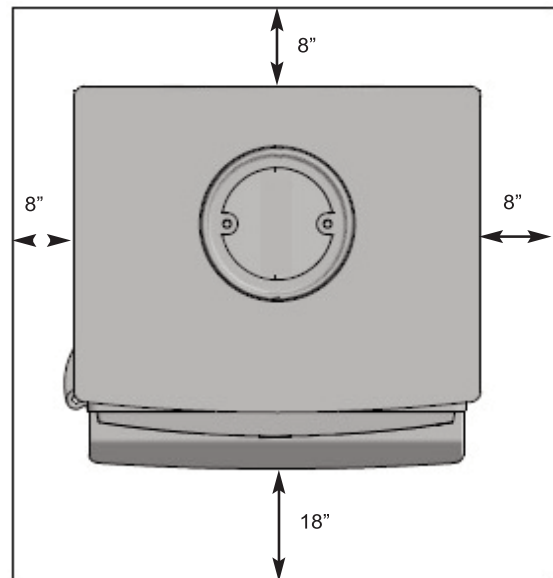
Back Heat Shield



FLOOR PROTECTION

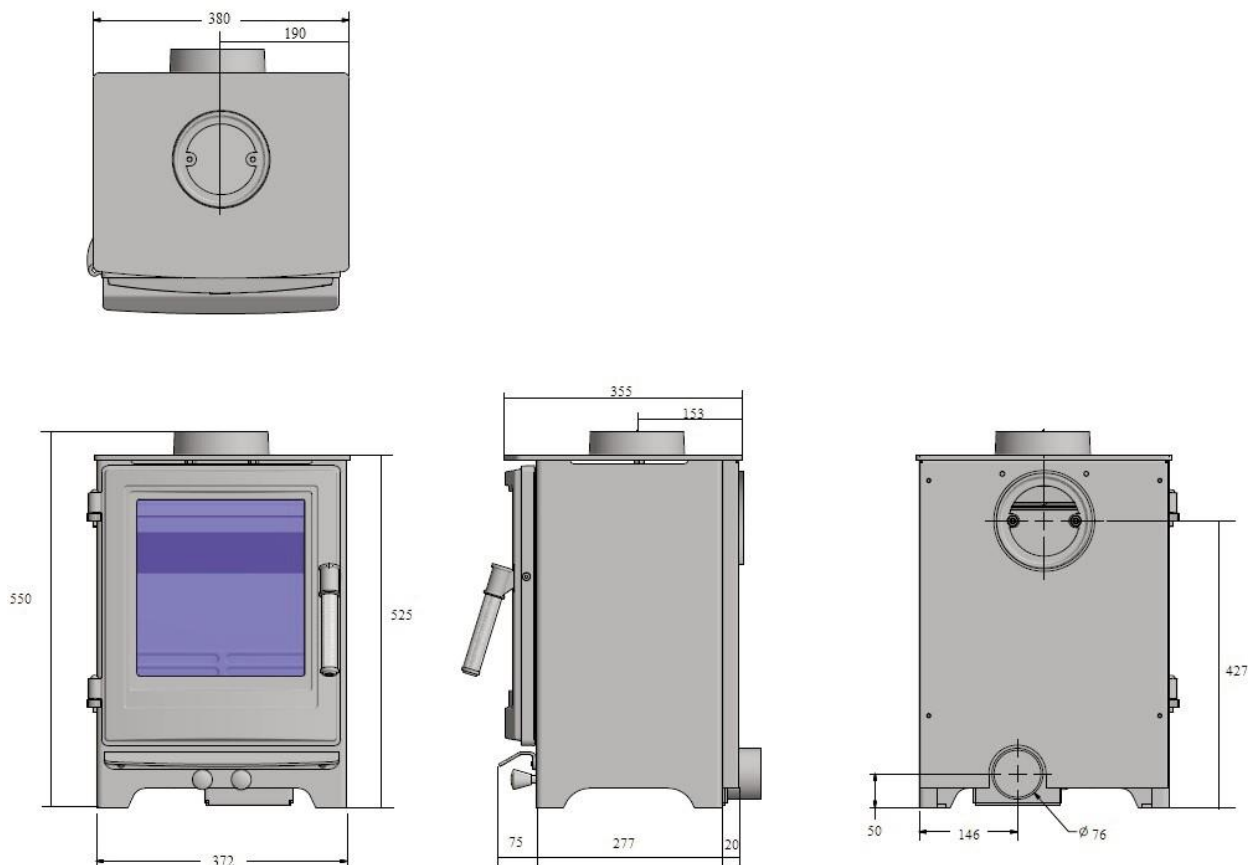
When installing this heater on a combustible floor, a floor protector consisting of a layer of non combustible material at least 12mm thick is required to cover the area under the heater and extend at least 460mm at the front, 200mm to the sides & the rear. This will provide protection from sparks and embers which may fall out from the door when stoking or refuelling. See Fig.8. – Please refer to Building Regulations document J for guidance

Fig.8



STOVE DIMENSIONS

Fig.9



WARNING: DO NOT OBSTRUCT PRIMARY AIR SUPPLY TO THE STOVE

Note: Dimensions stated are in millimetres unless otherwise stated and may be subject to a slight +/- variation.

COMMISSIONING AND HANDOVER

On completion of the installation allow a suitable period of time for any fire cement and mortar to dry out, when a small fire may be lit and checked to ensure the smoke and fumes are taken from the stove up the chimney and emitted safely to the atmosphere. **Do not run at full output for at least 24 hours.**

Ensure that the operating instructions for the stove are left with the customer. Ensure to advise the customer on the correct use of the appliance with the fuels likely to be used on the stove and warn them to use only the recommended fuels for the stove.

Advise the user what to do should smoke or fumes be emitted from the stove. The customer should be warned to use a fireguard to BS 8432: 2010 in the presence of children, aged and/or infirm persons.

OPERATION

Check that all dampers and catches are operating correctly and ensure that all flue connections are thoroughly sealed.

AIR CONTROLS

The stove has two independent air controls:

1. The Primary Air Control Lever which controls the primary air (See Fig 10). Pull out to open & push in to close.
2. The Secondary Air Control Lever which controls the secondary air and air wash (See Fig 10). Pull out to open & push in to close.

Note:

The controls may become hot when the stove is in operation, use glove provided to adjust the controls when the stove is hot.

RECOMMENDED FUELS

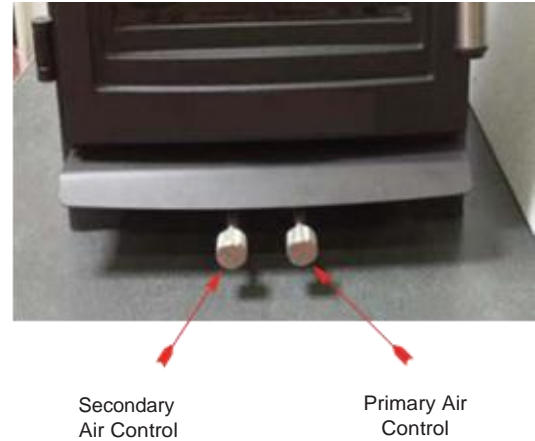
All fuels should be stored under cover and kept as dry as possible prior to use.

This appliance has been tested using seasoned wood logs and manufactured briquetted smokeless fuel (Ancit) for closed appliances, sized between 20g and 140g. Other fuels are commercially available and may give similar results. Wood logs up to 250mm long are suitable. All fuels should be stored under cover and kept as dry as possible prior to use.

Do not use fuels with a Petro-coke ingredient as this may cause the grate to overheat, causing damage. Reduced outputs will result when fuels of lower calorific values are used. Never use gasoline or gasoline type lantern fuel, kerosene, charcoal lighter fluid or similar liquids to start or freshen up a fire in this heater. Keep all such liquid well away from the heater at all times. Operate the stove only with the fuelling door closed except for re-fuelling.

This stove has obtained HETAS Ltd approval for burning natural and manufactured smokeless fuels only as detailed in recommended fuels below. HETAS Approval does not cover the use of other fuels either alone or mixed with the recommended fuels listed, nor does it cover instructions for the use of other fuels.

Fig.10



TECHNICAL DATA				
	MANUFACTURED SMOKELESS FUEL		WOOD	
	Room	Total	Room	Total
Max Output: (kW)	5.0	5.0	5.0	5.0
Nominal Output: (kW)	4.6	4.6	4.5	4.5
Typical refuelling intervals to obtain nominal outputs:	MSF 1 hr		WOOD .75 hr	
CO@ 13% oxygen:	0.08%		0.09%	
Flue Gas Temperature at nominal output:	264°C		246°C	
Gross Weight:	70 Kgs			
Flue Outlet Diameter:	125mm			
Flue Draught:	12 Pa			
Efficiency:	80.6 %		81.1%	
Log Size:	N/A		275mm	
Flue Gas Mass Flow: (g/s)	3.8		3.9	
Energy Efficiency Rating:	N/A		A+	
Mean C _n H _m (at 13 % O ₂) Nmg/m ³	13		58	
Mean NO _x (at 13 % O ₂) Nmg/m ³	90		81	
DIN Plus dust (at 13 % O ₂)s Nmg/m ³	9		28	

LIGHTING

Before lighting the stove check with the installer that the installation work and commissioning checks described previously have been carried out correctly and that the chimney has been swept clean, is sound and free from any obstructions. As part of the stoves commissioning and handover the installer should demonstrate how to operate the stove correctly.

LEAVE THE DOOR SLIGHTLY AJAR DURING THE FIRST FIRING TO PREVENT THE ROPE FROM STICKING TO THE PAINT DURING THE CURING PROCESS.

LIGHTING THE STOVE

NOTE: When operating the stove, it is recommended to use the Glove provided to open the fire door as the door handle will become hot.

1. Open the fire door and open the primary air control by pulling it fully out.
2. Open the secondary air inlet by pulling the control fully out.
3. Cover the grate with crumpled pieces of paper and lay 10-12 pieces of kindling on top of the paper towards the back of the firebox.
4. Ignite and close the fire door.
5. When the kindling is well alight open the fire door and add more kindling of a larger size to sustain the fire. Close the fire door.
6. When a hot fire bed is established add the normal fuel.
7. When well lighted, adjust the air controls as required depending on the fuel type being used & the heat output required (see Table below). Both controls should be adjusted in conjunction with each other to get the appropriate burn rate with exact settings on each control depending on the draught conditions of the chimney to which the unit is connected.

Fuel	Primary Air	Secondary Air
Smokeless Fuel	Adjust to Desired Setting	Fully Closed
Wood	Max Opening of 50%	Adjust to Desired Setting

WARNING: DO NOT LEAVE BOTH AIR CONTROLS FULLY OPEN AS THIS CAN CAUSE THE STOVE TO OVERHEAT, DAMAGING THE INTERNAL COMPONENTS.

REFUELLING

Before opening the door, open the primary air control fully as this will help to eliminate any smoke or fly ash resident in the combustion chamber. Add fuel to fire, close fire door and adjust the primary air control to the desired position.

SLOW BURNING

Slow burning will cause the window glass to blacken and can craze the glass this should not be used for a long period. It should only be done after the fire has been established and been running at nominal output for a period of time. For a prolonged slow burn, fill the firebox of fuel up to a maximum height just below the top of the fire fence at the front of the door opening. Push the primary air control knob in to close the primary air to the minimum setting and push the secondary air control in to set the secondary air to the minimum setting. Please refer to Page 4 items 6 & 7

DISPOSAL OF ASHES

Your stove is provided with an ashpan. This ashpan should be emptied every day.

If ashes are allowed to build to grate level you could damage the grate by overheating. We recommend that you remove ashes after you have riddled the fire when the stove is thoroughly cooled.

Ashes should be placed in a metal or other non-combustible container with a tight fitting lid. The closed container of ashes should be placed on a non-combustible material, pending final disposal. If ashes are buried in soil, or otherwise dumped they should be retained in the closed container until they are thoroughly cooled.

Open the fire door and remove the ashpan using the tool provided, see Fig 11. Close the fire door. When the ash is disposed of replace the ashpan.

Fig.11



Ashpan

MONTHLY MAINTENANCE

Cleaning Stove Flue Pathways

It is recommended that the flue pathways in the stove are cleaned on a monthly basis (or less depending on the soot build-up created by the fuel being used) and the chimney cleaned annually. To access the chimney pathways, use the following procedure:

1. Lift up the front of the bottom baffle to allow the two side bricks to drop into the firebox & be removed (see Fig 12).
2. Angle the fire fence back into the firebox to allow it to be removed.
3. Angle the bottom baffle up on the RHS to allow the LH edge of the baffle to drop into the firebox, allowing for its removal.
4. Lift the back of the top baffle upwards, whilst pushing it back to allow the front edge to drop into the firebox (see Fig 13).
5. Replace the components in reverse order when cleaning is complete, ensuring that the long face of the top baffle is facing downwards when fitted.

Fig.12

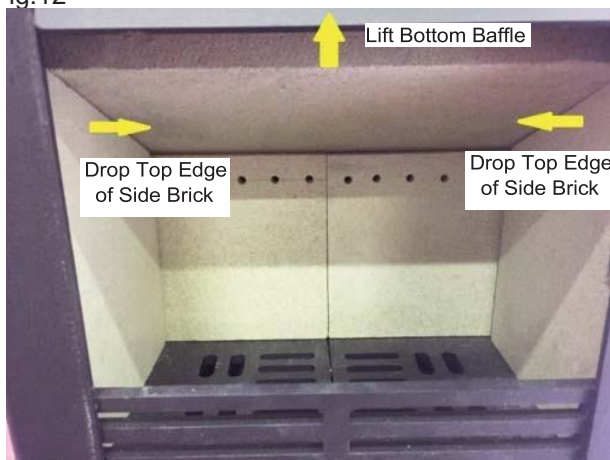
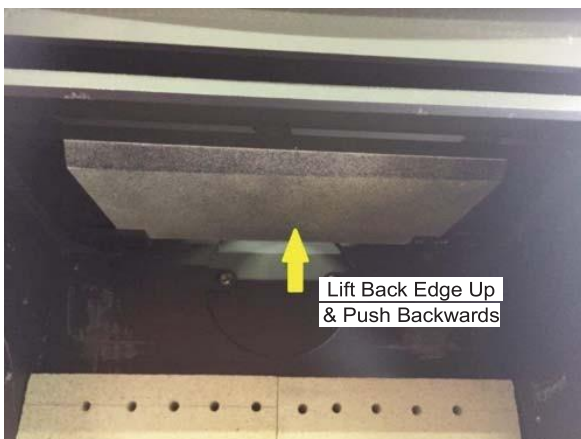


Fig.13



PERIODIC MAINTENANCE

Adjusting the Door Catch

Over time, the fire door latch can loosen due to the continual compression and hardening of the rope seal between the door and the front casting. The tightness of the door seal should be checked periodically and it is recommended that the rope seals on the stove are changed at least every two years or sooner if the seal loses its integrity.

CHIMNEY CLEANING

The chimney should be cleaned twice annually or if the stove is not used for a prolonged period during the summer period, it should be cleaned prior to commencement of usage. The chimney can be cleaned through the stove depending on the flue configuration and the flue liner should be cleaned in accordance with manufacturer's instructions. Always use a brush with plastic bristles that is the correct size to reach all areas of the flue.

GLASS CLEANING

The stove glass will self-clean when there is sufficient heat generated by the burning fuel i.e. when the unit is operated at the maximum air settings. If a build-up of creosote occurs on the glass it may be due to low draft conditions, poor quality fuel or operating the stove at the minimum air settings for long periods of time. The glass should be cleaned when cool and cleaned with a non-abrasive cloth using warm soapy water. For stubborn deposits, a grade 0 steel wool can be used whilst taking care not to scratch the glass with any coal/ash deposits.

CLEANING A MATT BLACK/ SENOTHERM STOVE

Cleaning should be done when the stove is cold by removing any dust or dirt using a dry cloth. Do not use any water on the matt black/senotherm finish as this will cause it to rust.

PROLONGED PERIODS OF NON USE

If the stove is to be left unused for a prolonged period of time then it should be given a thorough clean to remove ash and unburned fuel residues. To enable a good flow of air through the appliance to reduce condensation and subsequent damage, leave the air controls fully open.

It is important that the flue connection, any appliance baffles or throat plates and the chimney are swept prior to lighting up after a prolonged shutdown period.

WARNING NOTE:

Properly installed, operated and maintained this stove will not emit fumes into the dwelling. Occasional fumes from the de-ashing and re-fuelling may occur. However, persistent fume emission is potentially dangerous and must not be tolerated. If fume emission does persist, then the following immediate action should be taken:

- (a) Open doors and windows to ventilate room.
- (b) Let the fire out or eject and safely dispose of fuel from the stove.
- (c) Check for flue or chimney blockage and clean if required.
- (d) Do not attempt to relight the fire until the cause of the fume emission has been identified and corrected. If necessary seek expert advice.

The most common cause of fume emission is flue-way or chimney blockage. For your own safety these must be kept clean at all times.

FIRE SAFETY

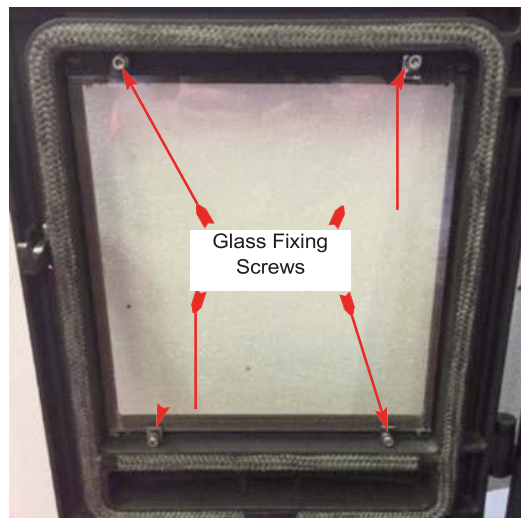
To provide reasonable fire safety, the following should be given serious consideration.

1. Do not over fire the stove.
2. Over-firing will also damage the painted finish.
3. Install a smoke detector in the room.
4. A conveniently located class A fire extinguisher to contend with small fires resulting from burning embers.
5. A practical evacuation plan.
6. A plan to deal with a chimney fire as follows:-
 - (a) Notify the fire department.
 - (b) Prepare occupants for immediate evacuation.
 - (c) Close all openings into the stove.
 - (d) While awaiting the fire department watch for ignition to adjacent combustibles from over-heated flue pipe or from embers or sparks from the chimney.

GLASS REPLACEMENT

- a. Open the door fully.
- b. Remove the four fixing screws and clips (see Fig 14).
- c. Clean the glass recess in the door.
- d. Replace the adhesive thermal tape on the back face of the door if damaged..
- e. Fit the glass in position and replace the four corner clips & screws.
- f. Hand tighten the screws, turning back 1/4" turn when hand tight.
- g. Replace glass only with ceramic glass.

Fig.14



CO ALARM

The fitting of CO Alarms in the same room as the appliance is a compulsory requirement under current Building Regulations. For ROI an additional CO Alarm must be fitted either inside each bedroom or within 5 metres of the bedroom door, refer to Building Regulations Part J. Further guidance on the installation of a carbon monoxide alarm is available in BS EN 50292:2002 and from the alarm manufacturers instructions.

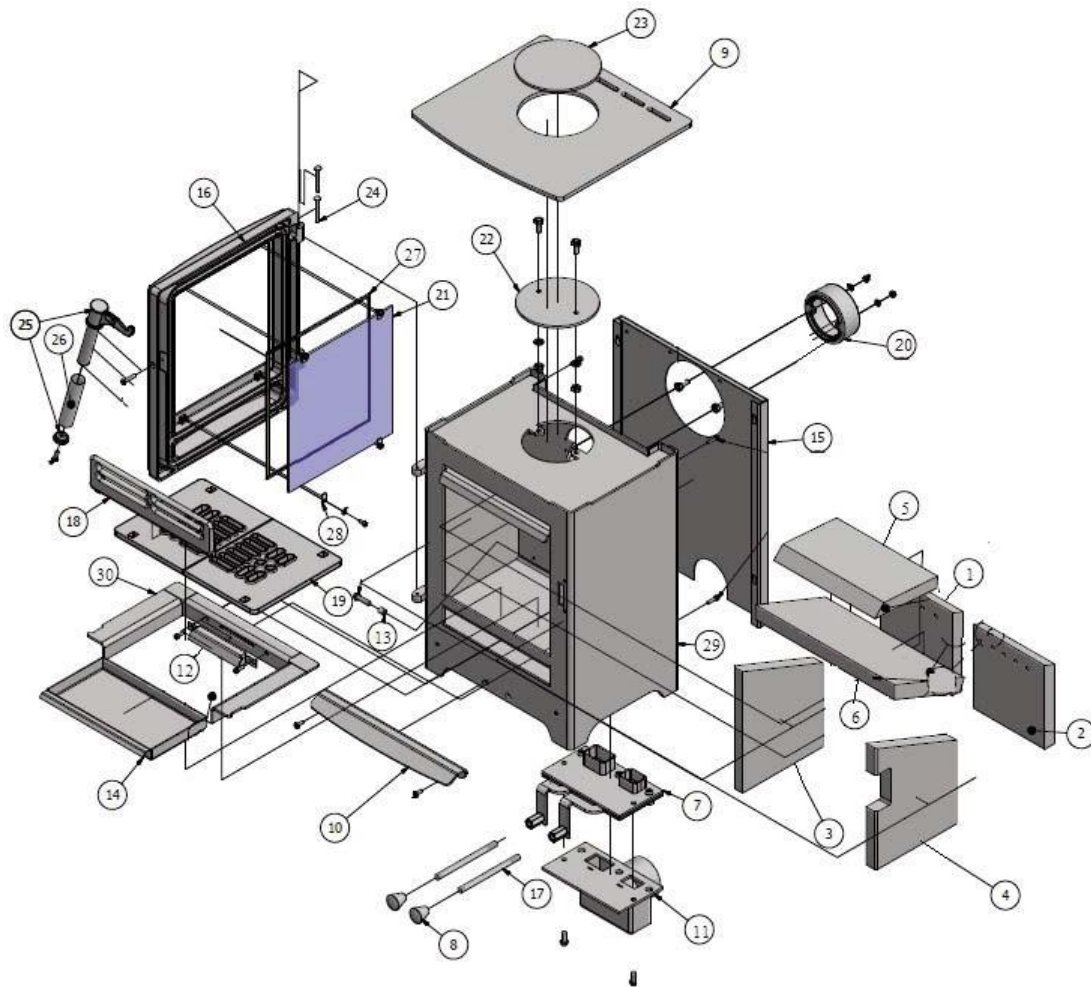
Provision of an alarm must not be considered a substitute for either installing the appliance correctly or ensuring regular servicing and maintenance of the appliance and chimney system.

WARNING:-

If the CO Alarm sounds unexpectedly:-

1. Open Doors and windows to ventilate the room and then leave the premises.
2. Let the fire go out.

EXPLODED VIEW



- | | |
|---|---|
| 1. LH BACK REFRACTORY BRICK - A4-BB | 21. DOOR GLASS - FD9 |
| 2. RH BACK REFRACTORY BRICK - A4-BB_MIR | 22. FLUE BLANKING PLATE - A4-04 REAR BLANK |
| 3. LHS REFRACTORY BRICK - A4-SB 2 | 23. TOP PLATE FILLER - A4 BLANK PLUG |
| 4. RHS REFRACTORY BRICK - A4-SB | 24. HINGE PIN - 6X50 RIVET |
| 5. TOP BAFFLE - A4-TB | 25. HANDLE ASSEMBLY - HANDLE ASSY |
| 6. BOTTOM BAFFLE - A4-MB | 26. HANDLE SLEEVE - HANDLE SLEEVE |
| 7. AIR INLET ASSEMBLY - A4-AI-ASSY | 27. GLASS GASKET - FD9 GASKET |
| 8. CONTROL KNOB - A4-KNOB | 28. GLASS CLIP - BB GLASS CLIP |
| 9. TOP PLATE - A4-09 | 29. MAIN BODY - A4 MAIN BODY ASSY |
| 10. ASH SHELF - A4-10 | 30. GRATE FRAME - GRATE RISER |
| 11. OUTSIDE AIR KIT - AOSSOL | |
| 12. PRIMARY INLET COVER - INLET COVER | |
| 13. LOCK ROLLER - A455W8 ROLLER | |
| 14. ASHPAN - A4-ASHTRAY | |
| 15. HEATSHIELD - A4 HS RE | |
| 16. FIRE DOOR - 13886 4KW DOOR | |
| 17. AIR CONTROL ROD - A4 AIR CONTROL ROD | |
| 18. FIRE FENCE - LOG RETAINER | |
| 19. GRATE - A4 CAST GRATE ASSY | |
| 20. FLUE SPIGOT - A4 COLLAR | |



AGA Rangemaster
AGA, Station Road, Ketley, Telford,
Shropshire, TF1 5AQ, UK

With AGA Rangemaster's policy of continuous product improvement, the Company reserves the right to change specifications and make modifications to the appliance described and illustrated at any time

Appendix 1 - Annual Servicing Records

For your warranty to be valid you must have this stove serviced once a year by a Competent Engineer who is qualified to service Multi-fuel stoves, please record the details here and attach your invoice as proof of service

Annual Service Record – Year 1	Annual Service Record – Year 2	Annual Service Record – Year 3
Name of Engineer who completed the service	Name of Engineer who completed the service	Name of Engineer who completed the service
Telephone & Email Contact Details	Telephone & Email Contact Details	Telephone & Email Contact Details
Engineers HETAS Registration Number (if applicable)	Engineers HETAS Registration Number (if applicable)	Engineers HETAS Registration Number (if applicable)
Date of Service	Date of Service	Date of Service
Cost of Service	Cost of Service	Cost of Service
Door & Glass Seal Replaced YES or NO – <i>please circle which one</i>	Door & Glass Seal Replaced YES or NO – <i>please circle which one</i>	Door & Glass Seal Replaced YES or NO – <i>please circle which one</i>
Other Notes	Other Notes	Other Notes
Chimney Swept Y / N Fireboard Changed Y / N Top Baffle board fitted in correct position Y / N	Chimney Swept Y / N Fireboard Changed Y / N Top Baffle board fitted in correct position Y / N	Chimney Swept Y / N Fireboard Changed Y / N Top Baffle board fitted in correct position Y / N
Annual Service Record – Year 4	Annual Service Record – Year 5	Annual Service Record – Year 6
Name of Engineer who completed the service	Name of Engineer who completed the service	Name of Engineer who completed the service
Telephone & Email Contact Details	Telephone & Email Contact Details	Telephone & Email Contact Details
Engineers HETAS Registration Number (if applicable)	Engineers HETAS Registration Number (if applicable)	Engineers HETAS Registration Number (if applicable)
Date of Service	Date of Service	Date of Service
Cost of Service	Cost of Service	Cost of Service
Door & Glass Seal Replaced YES or NO – <i>please circle which one</i>	Door & Glass Seal Replaced YES or NO – <i>please circle which one</i>	Door & Glass Seal Replaced YES or NO – <i>please circle which one</i>
Other Notes	Other Notes	Other Notes
Chimney Swept Y / N Fireboard Changed Y / N Top Baffle board fitted in correct position Y / N	Chimney Swept Y / N Fireboard Changed Y / N Top Baffle board fitted in correct position Y / N	Chimney Swept Y / N Fireboard Changed Y / N Top Baffle board fitted in correct position Y / N

AGA Stoves – Ellesmere Multi-Fuel Stove – 5 Year Warranty

It's important to know what requirements need to be met in order to qualify for our 5 year warranty, as well as being aware of exactly what it covers. This warranty only applies to our stoves.

If you have purchased your stove from an authorised stockist within our Premium Retailer Network, then automatically your product will carry a 5 year warranty. The start date for the warranty period is the date of purchase. You do not need to register your stove for the warranty to apply, but you must retain your proof of purchase from the AGA retailer, which must have your name, address and the date of the purchase. Then from the serial number on your stove we can then action your warranty, you must have the stove serviced every 12 months and keep the service receipt for the warranty to be valid. Any product purchased outside of our Premium Retailer Network will carry a standard 12 month, non-extendable warranty.

It is a condition of the Warranty that the installation complies with relevant Building Regulations and the rules in force, and is carried out by a suitably trained and qualified individual HETAS registered in the United Kingdom (or equivalent in other countries) with a certificate of installation and the appropriate commissioning report completed and retained by the end-user. Please refer to **Appendix 1 - Annual Servicing Records**

It is also a condition of the Warranty that your AGA Stove is regularly serviced (every 12 months) by a suitably trained and qualified individual, ideally HETAS registered in the United Kingdom (or equivalent in other countries). Records and receipts of annual services will be required in the event of a warranty claim during the period of the warranty. Please refer to **Appendix 1 - Annual Servicing Records**

This warranty is not transferable, and solely for, the benefit of the original purchaser of the stove. Please retain your dated sales receipt as a proof of purchase.

During your warranty period, only genuine AGA spare parts must be used in the servicing and maintenance of your stove, these spare parts can be ordered via the Premium Retailer directly.

Consumable items such as glass, paint, grate parts, log retainers, ceramic fire boards (internal linings), and rope seals which are either subject to normal wear and tear or parts that require replacement in connection with normal maintenance are not covered, either by the Warranty. The Flue system is not covered by any warranty from AGA Stoves.

Should you experience problems with your stove, any claim must be submitted first to the Premium Retailer from where the stove was purchased. Your Premium Retailer will either be able to offer immediate assistance or make contact with AGA Stoves on your behalf.

Warranty Exclusions and Limitations

No Warranty is extended to consumable service parts. Repair or replacement of parts which are subject to normal wear and tear during the warranty period or parts that will require replacement in connection with normal maintenance. Such parts include but are not limited to glass, paint, rope seals, grate parts, log retainers, and internal linings.

The AGA Stoves Warranty does not cover:

- a) In normal usage the paint finish of your AGA Stove may change colour slightly. As these circumstances are considered normal, they are not covered by the warranty. The stove paint must be cured as detailed in this manual
- b) Enamelled components where these parts are subjected to abnormally high temperatures, chemical abrasion or thermal shocks, resulting in chipping, cracking, bubbling or discolouration and crazing of the enamelled finish.

c) Damage resulting from installation and usage where the appliance has not been installed or used in accordance with the AGA Stoves installation and operation instructions, or if the installation does not conform to local building, fire and safety regulations. This includes the entire flue system whether purchased from AGA Stoves or not

d) Defects or faults caused by specific local conditions such as draught problems, water damage, condensation and chimney defects.

e) The Warranty does not cover damage caused by over-firing of the appliance. (Please see your Installation and Operating Instructions for further information)

f) The entire flue system

g) Misuse of the stove including water/liquid/heat damage

h) Damage caused by unauthorised modifications, use or repair.

i) Damage or defects caused by the product being stored in a damp, unheated environment.

j) Consequential loss (to the extent permitted by law) relating to other associated products that have not been supplied by AGA Stoves.

k) Consequential loss (to the extent permitted by law) related to decorations, furnishings or other household assets.

l) Delivery to/or return transport costs. Removal and re-installation costs, or any labour cost to fit parts
Repaired or replaced products are covered only for the remainder of the original warranty period. If you should ever wish to make a warranty claim because of a product fault or defect, you must inform your retailer within a reasonable amount of time, this is within 14 days from the date on which the fault or defect first became apparent. If the product fault or defect is notified after 14 days from the date on which the fault or defect became apparent, AGA Stoves cannot accept any liability for events or issues which arise after the 14 day period or which are caused or increased by the lack of notification which therefore prevented action being taken to restrict or eliminate any consequences arising from the fault or defect at an earlier date.

In the event of a product fault occurring during the warranty period, AGA Stoves will send the appropriate component or goods necessary to rectify the fault, free of charge, but does not cover any labour cost to fit them.

Nothing in the Warranty shall make AGA Stoves liable for any or special, incidental or consequential damages, injury to persons or property, or any other consequential loss beyond the consumer's statutory rights. The liability on these issues is covered by AGA Stoves Terms and Conditions of Sale.

AGA Stoves' total liability extends only to the purchase price paid for the goods by the Premium Retailer,

The AGA Stoves Warranty does not affect your statutory rights.

The above warranty terms and conditions came into effect on 1st January 2013 and are applicable for all relevant products purchased after this date.

Please note: This warranty is applicable for purchases within the United Kingdom and the Republic of Ireland

ENERGY EFFICIENCY LABEL – UNITED KINGDOM

ENERGY

AGA Rangemaster Ellesmere EC4
Compact Model

A++
A+
A
B
C
D
E
F
G

A+

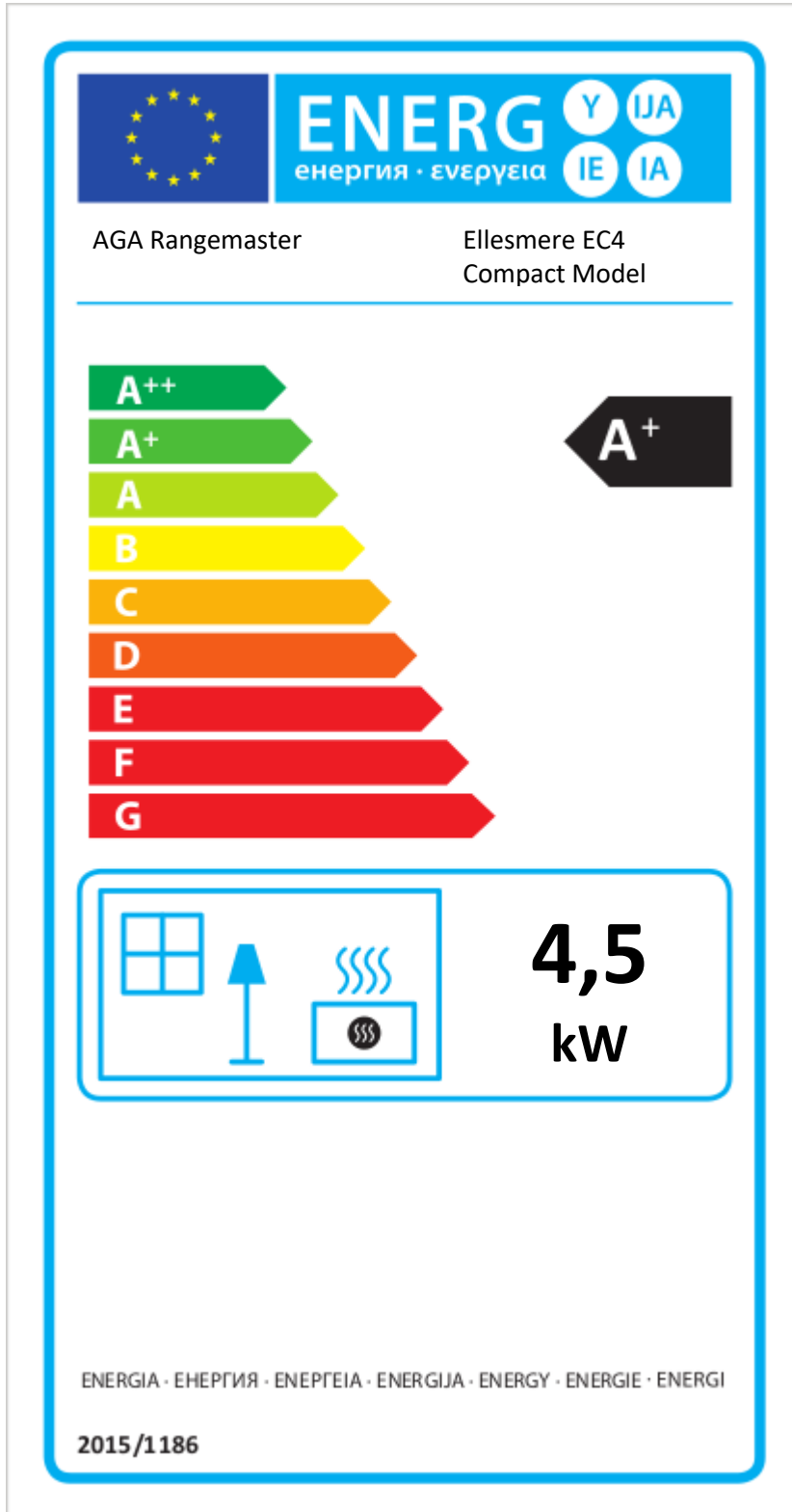
4,5
kW

2015/1186



This Stove has passed the Efficiency Category A+

Official Efficiency Rating: Manufactured Smokeless Fuel is 80.6 % Wood is 81.1%



This Stove has been tested and passed for burning **WOOD** (with a moisture level of less than 20%) and **MANUFACTURED SMOKELESS FUEL** to the BS EN 13240 Standard



AGA Rangemaster
Station Road, Ketley,
Telford, Shropshire,
TF1 5AQ,
United Kingdom
www.agastoves.co.uk



This Stove is fully
Manufactured
in the UK



Approved to the
Eco Design 2022 Standard



Fully Tested in the UK

With AGA Rangemaster's policy of continuous product improvement, the Company reserves the right to change specifications and make modifications to the appliance described and illustrated at any time

This stove has an Efficiency Rating of "A+" and has passed the Eco-design 2022 Standard and has met the Emissions Standards as defined by DEFRA for Burning Wood in Smoke Free Areas