

Please read these instructions
carefully before assembling.



INSTRUCTION MANUAL

Bali Outdoor Kitchen Double Unit

BALI2-OK-DU | Bali Outdoor Kitchen Double Unit

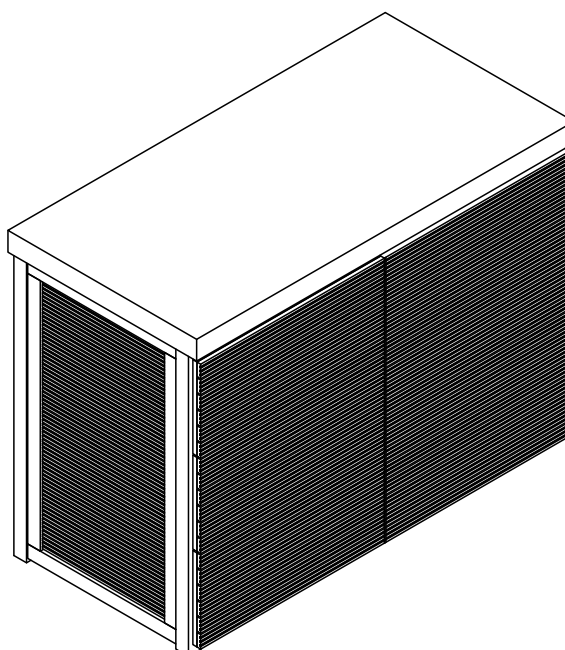
Assembly Requirements:

Number of people required to assemble – 2

Approximate assembly time – 30 minutes

Dimensions:

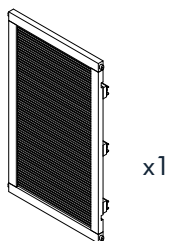
*120*60*90cm*



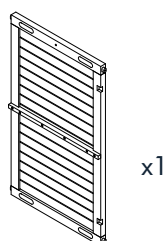
COMPONENT PARTS

Please check if you have all the parts as listed below. Note: The quantities below are the correct amount to complete the assembly. In some cases more fittings may be supplied than are required.

1 LEFT SIDE PANEL



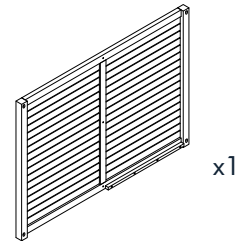
2 RIGHT SIDE PANEL



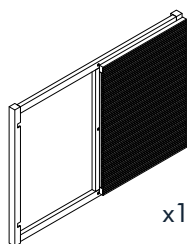
3 INSIDE PANEL



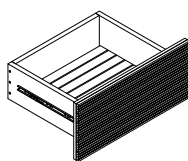
4 REAR SIDE PANEL



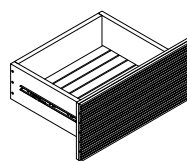
5 FRONT SIDE PANEL



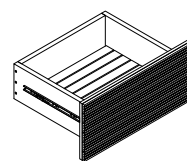
6A DRAWER 1



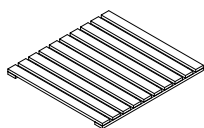
6B DRAWER 2



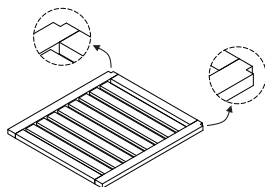
6C DRAWER 3



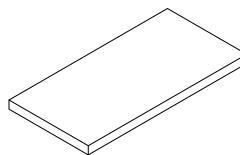
7 BOTTOM PANEL



8 SHELF



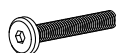
9 CONCRETE TOP



A SCREW M6X70



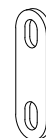
B BOLTS M6X40



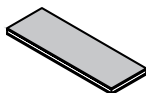
C BOLTS M6X20



D JOINTING PLATE



E ADHESIVE FIXING



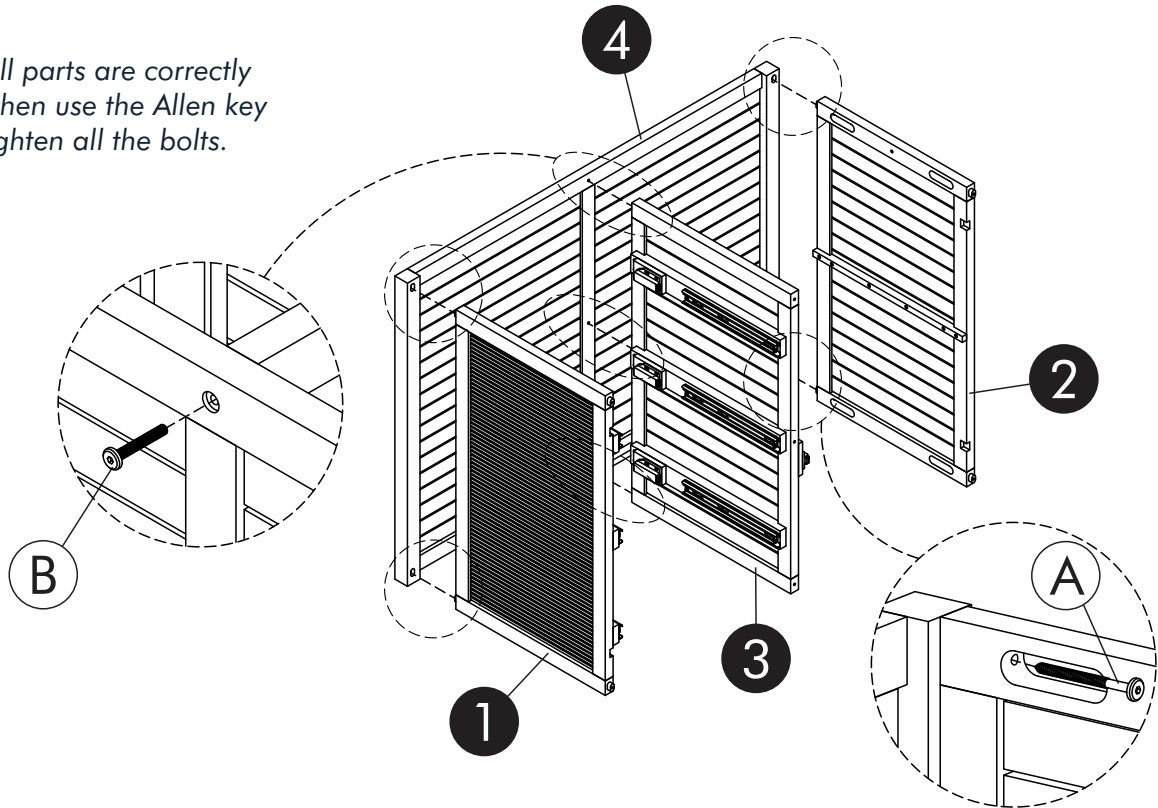
F ALLEN KEY



ASSEMBLY INSTRUCTIONS

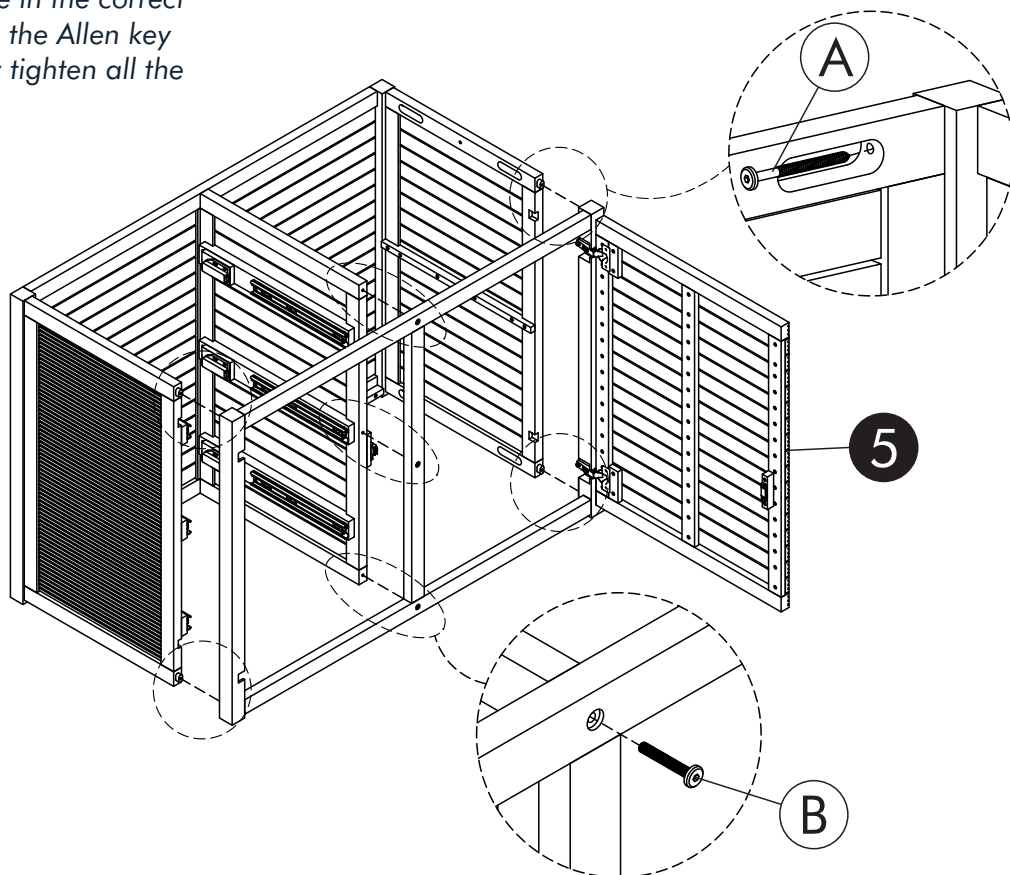
STEP 1

Make sure all parts are correctly positioned, then use the Allen key (Part F) to tighten all the bolts.



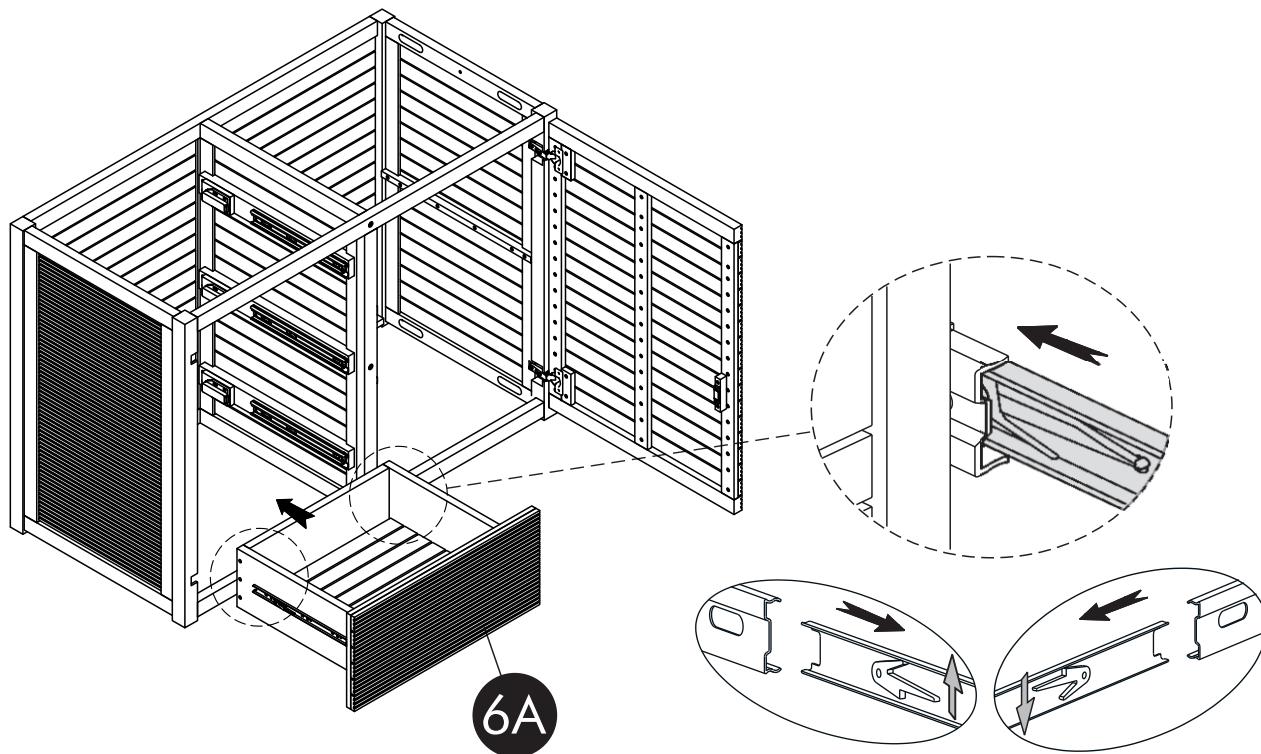
STEP 2

Ensure all parts are in the correct positions, then use the Allen key (Part F) to securely tighten all the bolts.



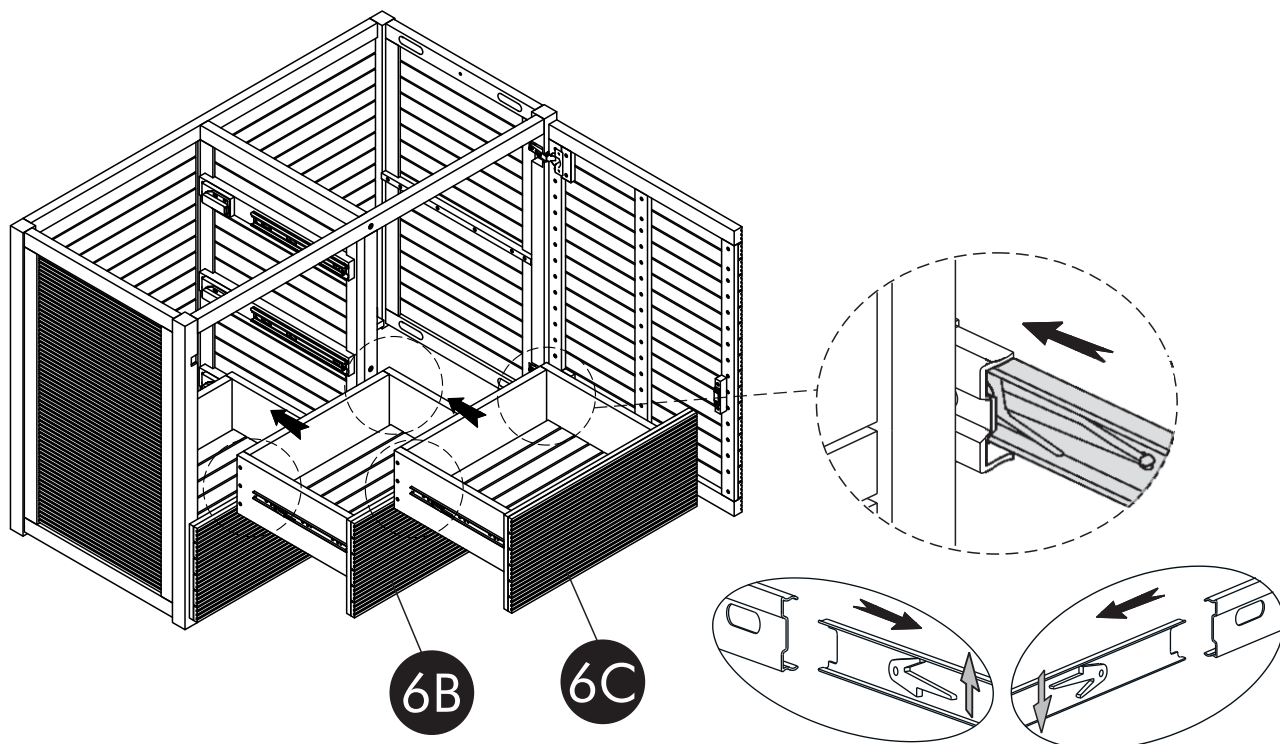
STEP 3

Make sure all parts are properly positioned.



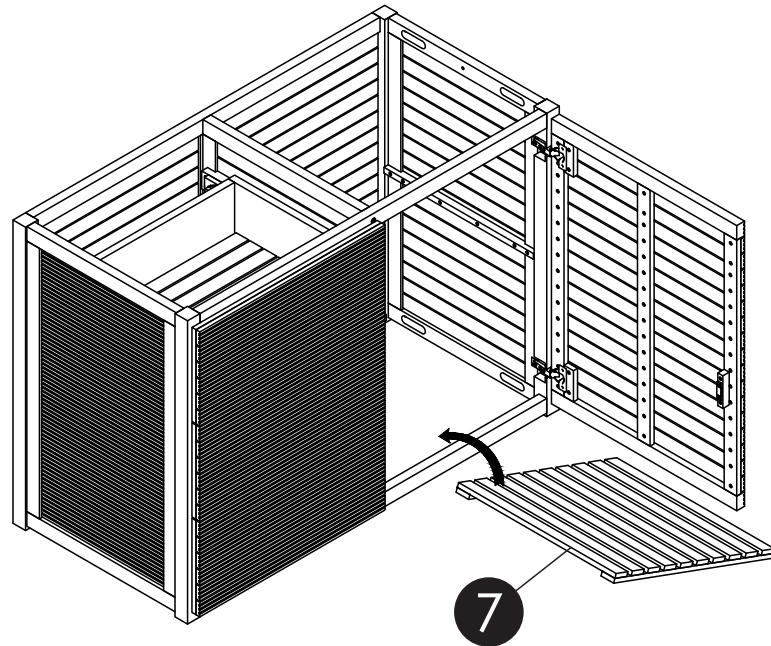
STEP 4

Make sure all parts are properly positioned.



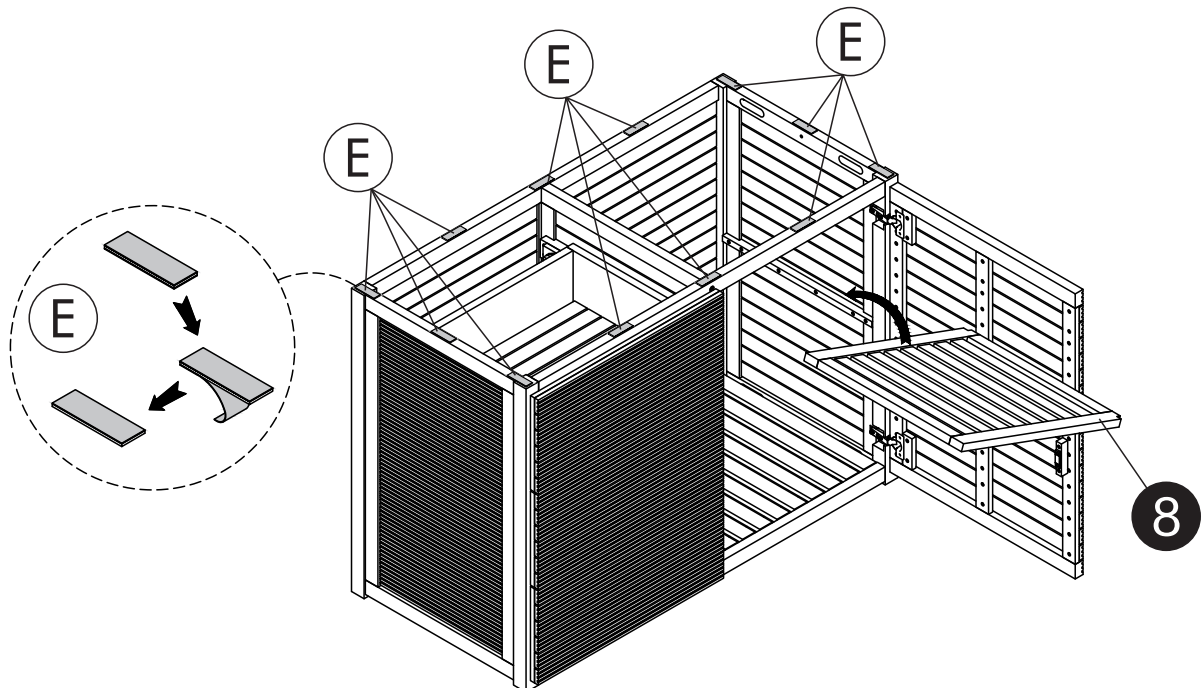
STEP 5

Make sure all parts are properly positioned.



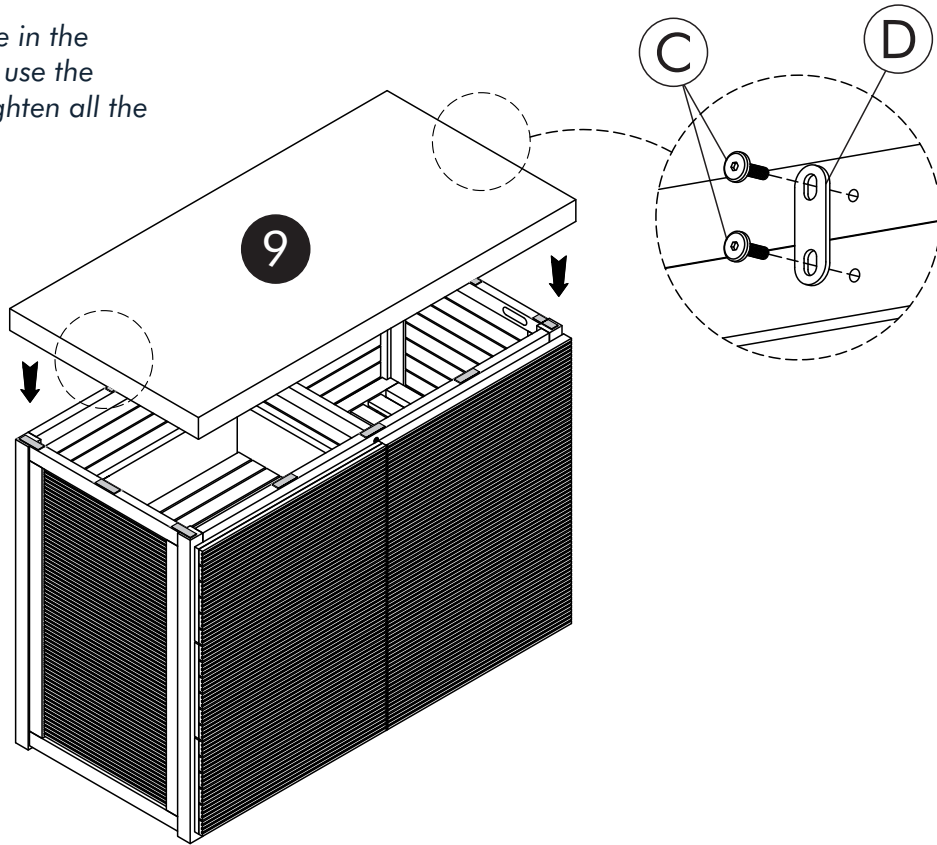
STEP 6

Make sure all parts are properly positioned.



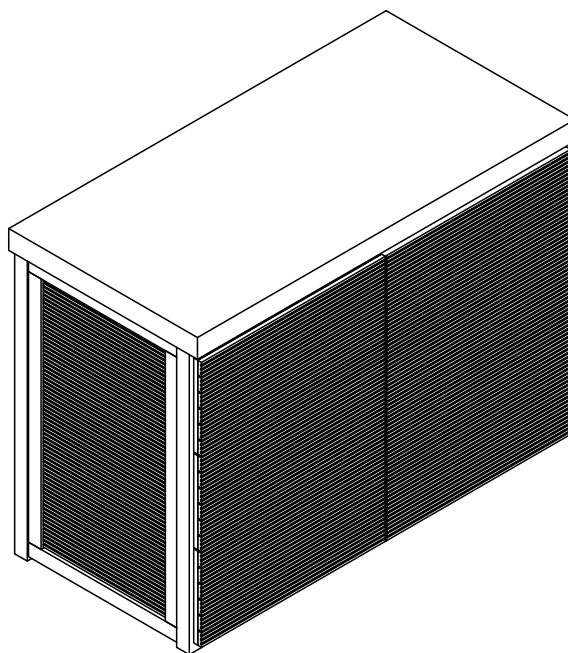
STEP 7

Make sure all parts are in the correct positions, then use the Allen key (Part F) to tighten all the bolts securely.



STEP 8

Carefully turn the assembled Unit, and double check all the bolts are fully tightened.



CARE AND MAINTENANCE ADVICE

Crafted from premium acacia hardwood, your furniture set boasts exceptional quality. Over time, the untreated wood will gracefully transition to a silver/grey hue, showcasing its natural beauty. As a product of nature, it may undergo slight expansion and contraction with changing seasons, influenced by moisture levels. The occurrence of small cracks is both normal and anticipated.

To enhance the longevity of your wooden furniture in outdoor settings, we advise an annual treatment with a high-quality outdoor furniture oil. This simple maintenance routine will not only preserve its aesthetic appeal but also contribute to its durability when exposed to the elements of the great outdoors.

