

# NOVA LED L | NOVA LED M



5600 | 5601 | 5602 | 5603 | 5604 | 5605 | 5606 | 5607

<b>DE</b>	MONTAGE- UND GEBRAUCHSANLEITUNG	02
<b>GB</b>	ASSEMBLY AND INSTRUCTION MANUAL	20
<b>ES</b>	MANUAL DE MONTAJE Y USO	38

# CONTENTS

## **ABOUT THIS FIRE PIT 21**

## **SYMBOLS IN THIS MANUAL 21**

## **UNPACKING THE FIRE PIT 22**

SAFETY NOTES  
 REQUIRED TOOLS  
 PARTS DESCRIPTION  
 SCOPE OF DELIVERY

## **ASSEMBLING THE FIRE PIT 24**

SAFETY NOTES  
 REQUIRED TOOLS  
 ASSEMBLY STEPS

## **CONNECTING THE GAS CYLINDER 26**

SAFETY NOTES  
 REQUIRED TOOLS  
 ASSEMBLY STEPS  
 CLOSING THE HOUSING

## **USING THE FIRE PIT 28**

SAFETY NOTES  
 LED AMBIENT LIGHT  
 SWITCHING ON THE FIRE PIT  
 SWITCHING OFF THE FIRE PIT  
 EXPLANATION OF SYMBOLS ON THE FIRE PIT  
 BATTERY OPERATION  
 CHANGING THE LED BATTERY  
 CHANGING THE PILOT BATTERY  
 FIRST AID

## **CLEANING/MAINTAINING THE FIRE PIT 33**

SAFETY NOTES

## **STORAGE/TRANSPORT 34**

SAFETY NOTES

## **DISPOSAL 34**

## **TECHNICAL SPECIFICATIONS 35**

## **ACCESSORIES 36**

## **WARRANTY/WARRANTY CERTIFICATE 37**

## **MANUFACTURER 56**

## ABOUT THIS PRODUCT

### Congratulations on purchasing this Enders product!

The fire pit must be installed per these instructions.

Read the instructions prior to installation and operation. Only use the product as described in these instructions, to prevent accidental injury or damage. The device must be set up in compliance with the instructions and local regulations.

Keep these instructions for future reference. If the item is given to someone else, please also pass on these instructions.

**We hope you will enjoy your Enders Fire Pit.**

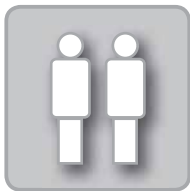
## SYMBOLS IN THIS MANUAL



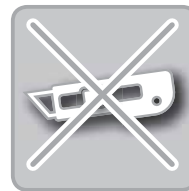
This symbol stands for the signal word ATTENTION and warns you of possible injuries or property damage as well as damage to the device.



Tools required.



Where you see this symbol. Get help from a second person.



Do not use a knife or similar sharp object when opening the package in order to avoid scratching the appliance.



Useful tips and information.



Place a soft mat under the components during assembly to prevent scratches and damage.



Wear protective gloves during assembly to avoid cuts.



Follow the instructions.

# UNPACKING

## SAFETY NOTES



- Despite careful processing of all individual parts, individual components may have sharp edges. Therefore, please wear safety gloves to prevent cuts.
- Risk of death by suffocation/swallowing. Keep the packaging materials out of the reach of children and dispose of it immediately. Also keep small parts out of their reach.

## REQUIRED TOOLS

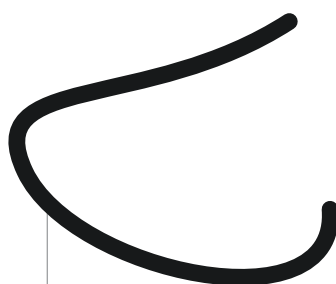
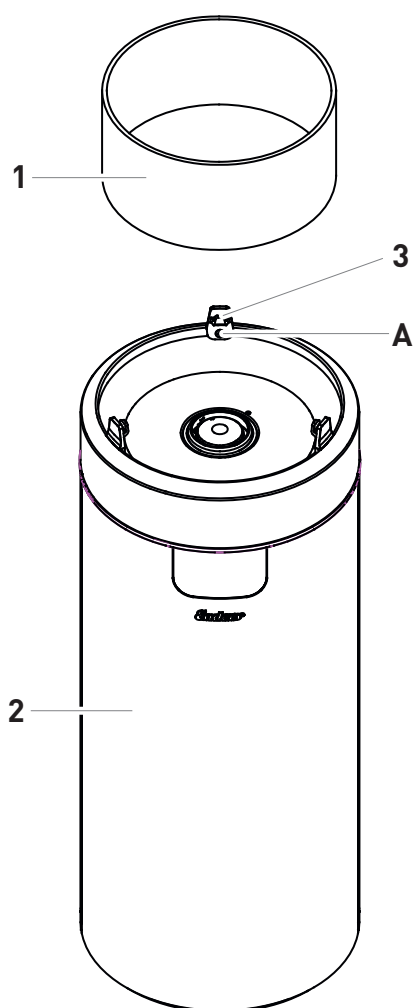


## PARTS DESCRIPTION

No.	Description	Quantity
1	Windscreen made of glass	1
2	Container	1
3	Bracket	3
4	Hose Ø 8 mm	1
5	Hose Ø 10 mm	1
6	Safety chain	1
7	Hose clamp for Ø 8 mm gas hose	2
8	Hose clamp for Ø 10 mm gas hose	2
9	Battery for igniter	1

No.	Description	Quantity
A	Screw	3

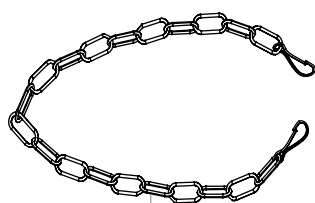
SCOPE OF DELIVERY



**4** (pre-assembled)  
Inside Ø 8mm; DIN EN 16436-2;  
NL, BE, LU, CZ, SI, RO, SK, HR,  
GR, GB, SE, IE, CY



**5**  
Inside Ø 10mm; ISO 3821;  
NO, FI, BG, PO, ES, DK,  
PL, EE, LV, LE, HU, TR



**6**



**7**



**8**

# ASSEMBLING

## SAFETY NOTES






- Despite careful processing of all individual parts, individual components may have sharp edges. Therefore, please wear safety gloves to prevent cuts.
- Remove all packaging and protective film from the individual parts prior to assembly.
- Risk of death by suffocation/swallowing. Keep the packaging materials out of the reach of children and dispose of it immediately. Also keep small parts out of their reach.

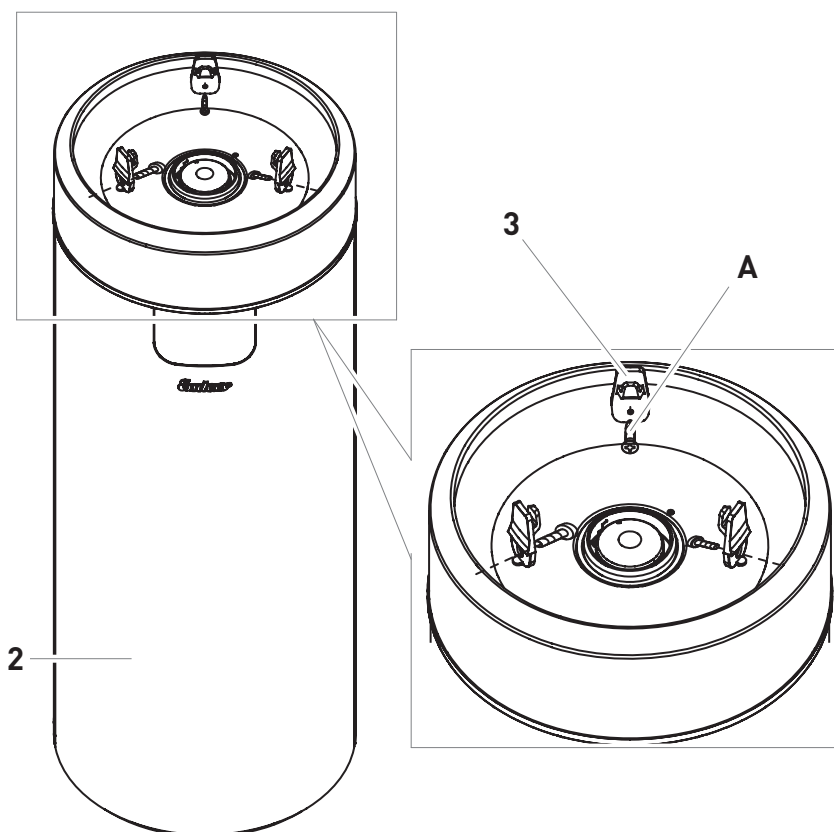
## REQUIRED TOOLS

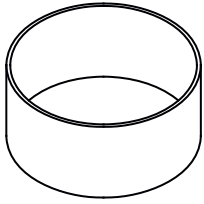


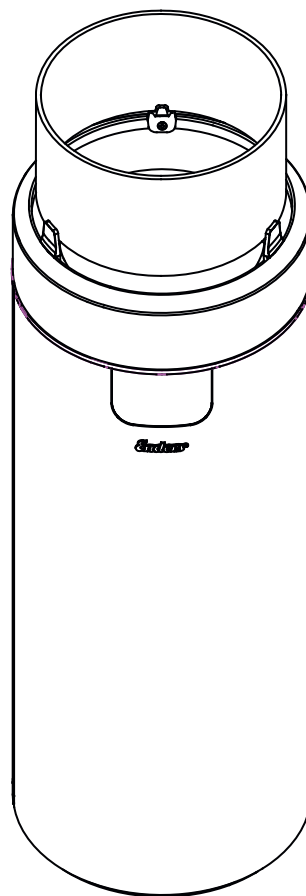
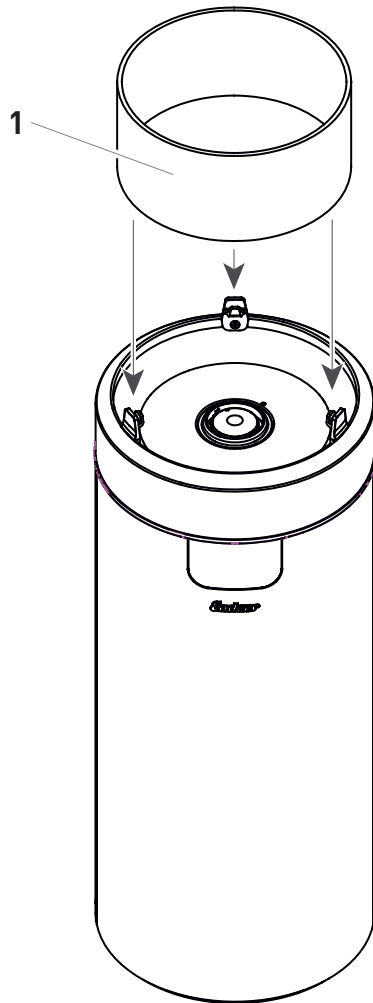
## ASSEMBLY STEPS

01

No.	Drawing	Quantity
2		1
3		3
A		3



No.	Drawing	Quantity
1		1



# CONNECTING THE GAS CANISTER

## SAFETY NOTES



### RISK OF FIRE AND EXPLOSION

- **CAUTION:** Operation without Gas pressure regulator is prohibited. Please refer to the type plate for country-specific gas pressure information. The included pressure regulator is factory set for operation with liquid gas. Please also read and observe the separate assembly and operating information included with the pressure regulator.
- The gas hose and the pressure regulator may need to be replaced if required under the relevant national regulations or based on the life. (See section CLEANING/MAINTENANCE.)
- Please consult a speciality retailer when purchasing or renting the gas cylinder.
- Be sure there are not ignition sources, open fire, etc. nearby when connecting or replacing the gas cylinder in a well ventilated area.
- Be sure the gas hose is not kinked or rubbing.
- After installing the gas cylinder, check all connections for leaks with a standard leak detection spray or soapy water. If there are no leaks, clean the connections with water after the check.
- **CAUTION:** Leakage tests with open fire is strictly prohibited, as escaping gas could ignite!

## REQUIRED TOOLS



## ASSEMBLY STEPS



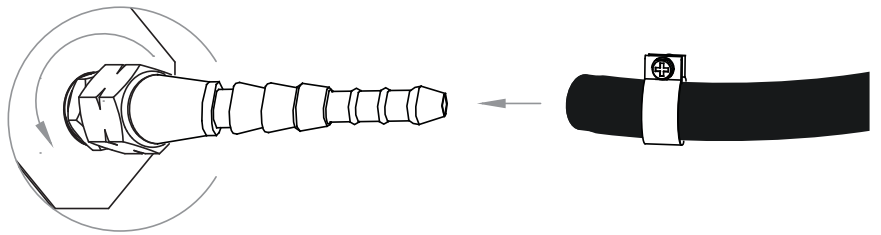
### THE CAP NUTS HAVE A LEFT-HAND THREAD

1. Check all gaskets for damage and correct placement before connecting.
2. Put the hose on the adapter grommet and fix it with the hose clamp (**No. 7** or **8**). (**No. 4** pre-assembled)
3. Put the other end of the hose on the nozzle of the pressure regulator and fix it with the help of the hose clamp (**No. 7**).
4. Check all connections with the cylinder valve open. Please use a leak detection spray or foaming agent (e.g. gas control spray or soapy water) for this purpose. Apply to the hose connections. If no bubbles form, you can rest assured it is tight.

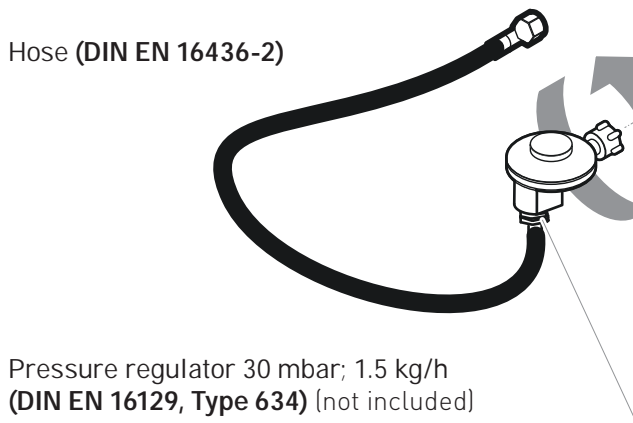




No.	Drawing	Quantity
4		1
5		1



Cylinder valve thread



Hose (DIN EN 16436-2)

Pressure regulator 30 mbar; 1.5 kg/h  
(DIN EN 16129, Type 634) (not included)



**5 kg gas cylinder**

Height: approx. 47.0 cm  
Diameter: approx. 23.5 cm  
(stores inside the housing)

**8 kg gas cylinder**

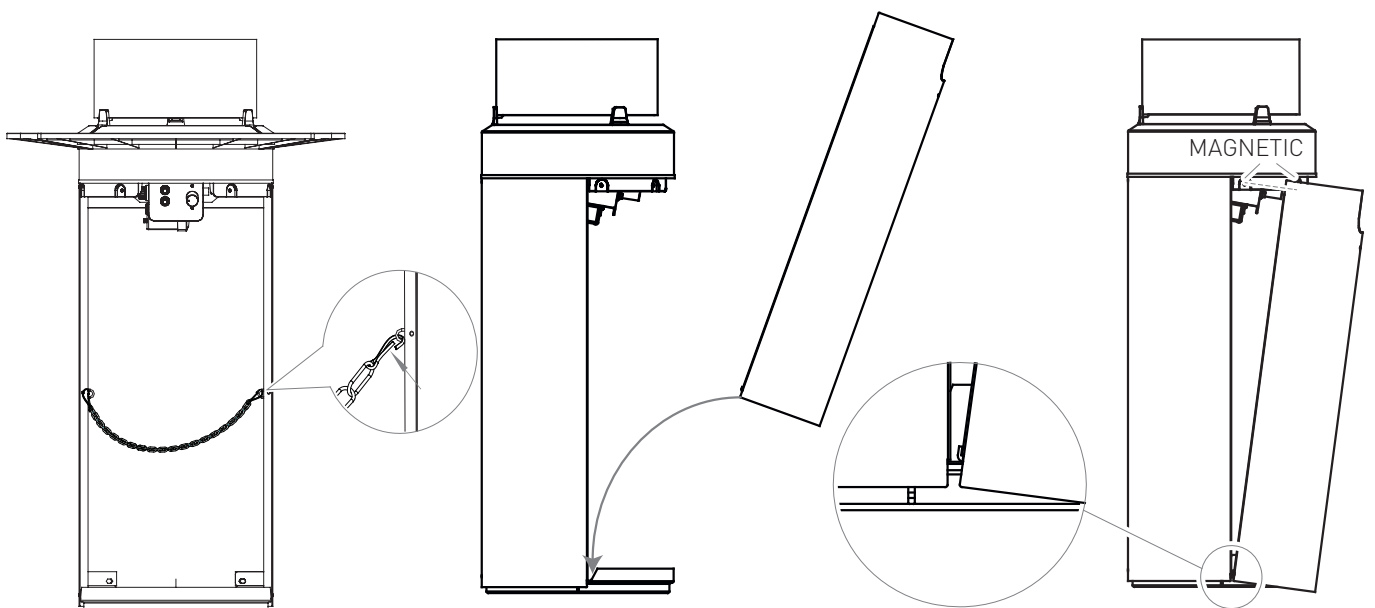
Height: approx. 46.0 cm  
Diameter: approx. 30.0 cm  
(stores inside the housing)

**11 kg gas cylinder**

Height: approx. 59.0 cm  
Diameter: approx. 30.0 cm  
(can only be stored in NOVA LED L devices)

CLOSING THE HOUSING

No.	Drawing	Quantity
6		1



# OPERATING

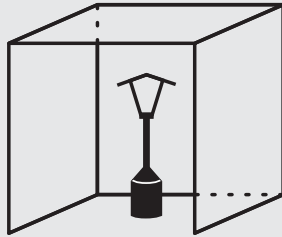
## SAFETY NOTES



### INTENDED USE

- Using this device in an enclosed area is **DANGEROUS** and **PROHIBITED**.

- **CAUTION:** For use outdoors or in well ventilated areas. In the case of a well ventilated area, at least 25 % of the enclosure area must be open. The enclosure area is the total of all walls. According to applicable regulations, the device must be installed and the liquid gas cylinder used.



- The installation area must have a minimum volume of 20 m<sup>3</sup> per 1 kW of installed nominal heat input of the fire pit and be well ventilated (covered patio, beer tents, etc.).
- This device must be installed per these instructions.
- The fire pit must not be used in residential, basement and office spaces or similar spaces.
- The fire pit may only be operated using an interconnected pressure regulator with a permissible output pressure (see Type plate and factory preset).
- Only use the types of gas and gas cylinders recommended by the manufacturer!
- The gas cylinder should be in the designated enclosure when operating the device.
- **CAUTION:** The glass becomes very hot during use. If the screen on the device splits or breaks, do not touch with bare hands. Immediately shut off the gas supply, remove all shards with tools to prevent injuries, and contact the manufacturer for a replacement screen.

### FIRE AND EXPLOSION HAZARD

- The device must be placed on a level, firm base.
- We recommend using a suitable mat to protect the flooring.
- In high winds, ensure the device does not tip.

- Verify the gaskets on the cylinder valve are in place and in good condition (no damage) before every use. Do not use additional gaskets.
- Never kind the gas hose.
- The remaining distance to flammable objects must not be less than 1 m.
- Protect liquid gas cylinder from strong sunlight (< 40°C).
- Maintain a safe distance to flammable materials and substances during use. The distance in the radiation direction between the radiating surface and flammable substances must not be less than 2 m.
- Do not cover the vents of the housing for the liquid gas cylinder. Any escaping gas would build in the container, posing an explosion hazard.
- Do not move the device during use.
- Remove the gas cylinder before moving the device.
- Repairs and maintenance of gas-related parts of the device must be carried out by authorised specialists.
- Always immediately shut off the valve of the gas cylinder if a malfunction occurs.
- Shut off the valve of the liquid gas cylinder or the pressure regulator after use.
- Check the gas hose for cracks and damages before every use.
- The hoses must be replaced within the prescribed periods.
- The gas hose and the pressure regulator must be replaced by a specialised company at least every 10 years.
- If the gas hose is damaged, replace with a gas hose of the same quality and length, not to exceed 150 cm.
- Do not use the device if there is a gas leak. The gas supply must be shut off if this occurs during use. Check the device and replace damaged parts before using it again. Tighten any loose connections.
- Close the valve of the liquid gas cylinder or the pressure regulator before moving the device.
- Check all connections for leaks following installation. Use a foaming agent (e.g. gas control spray or soapy water).

## LED AMBIANCE LIGHT

## SAFETY NOTES



- Make sure that the live parts do not get wet.
- Only use commercially approved batteries 3 x 1.5V LR 14 in good condition.



The LED light can be switched on and off via a pushbutton (E)

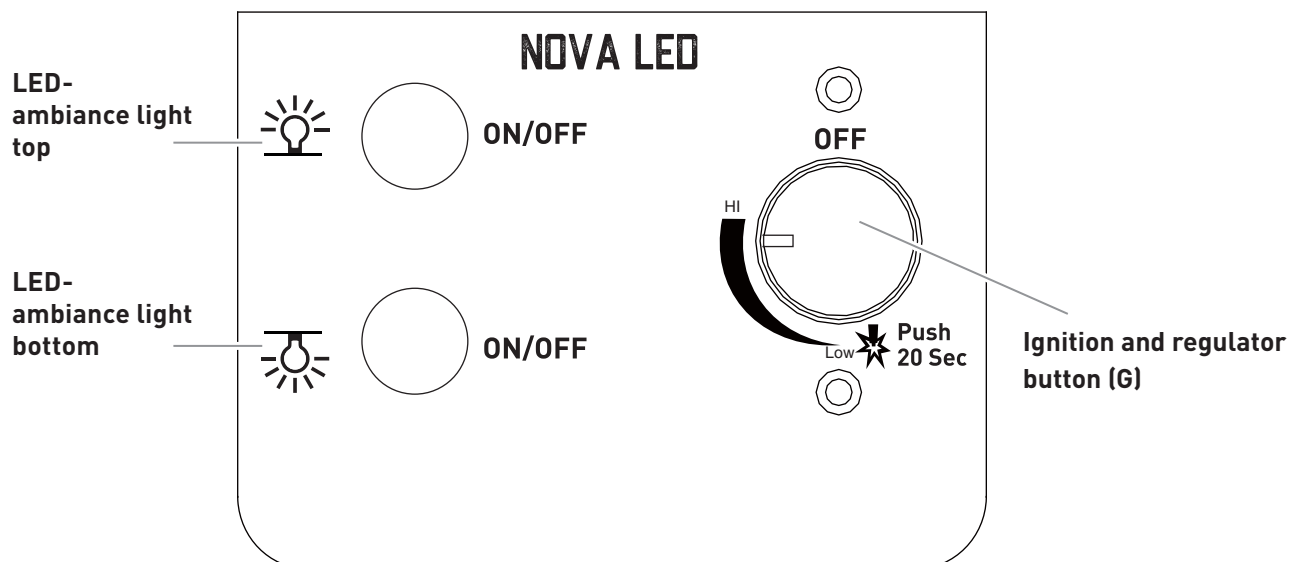
## SWITCHING ON THE FIRE PIT

1. Set the gas regulator to the „OFF“ position.
2. Open the cylinder valve or the valve on the gas pressure regulator.
3. Push in the regulator and turn anti-clockwise to ignite.
4. When the gas ignites, hold the gas regulator for approx. 30 seconds, then adjust to the desired flame height. If the burner does not ignite, wait five minutes and repeat steps 2 and 3.

## TURNING OFF

1. To switch of the device, close the regulator valve.

## EXPLANATION OF SYMBOLS ON THE FIRE PIT



## BATTERY OPERATING

## SAFETY NOTES



**Danger for children and persons with reduced physical, sensory or mental capabilities (e.g. partially disabled people, elderly people with reduced physical and mental capabilities) or a lack of experience and knowledge (e.g. children).**

- Keep children under 8 years away from the device.
- Children over 8 years of age may only switch the device on and off if they are supervised or have been instructed in the safe use of the device and have understood the dangers involved.
- CAUTION: Explosion hazard due to improper handling of batteries.
- Batteries must not be charged, reactivate by other means, taken apart, thrown into fire, heated, or short-circuited. Otherwise there is an increased risk of explosion and leakage, and gases may escape!
- Avoid battery fluid coming into contact with the eyes, skin and mucous membranes. In case of contact, immediately rinse the affected area with clean water and seek immediate medical attention.
- If necessary, clean the battery and device contacts before inserting them.
- Remove the batteries when they are flat or the heater will not be used for extended periods. This way you avoid damage that can be caused by battery leakages.
- Do not expose batteries to extreme conditions by e.g. storing these on radiators or in direct sunlight. Increased risk of leakage!

## INSERTING/REPLACING BATTERIES

- No tools are required to install the batteries.
- Be sure to replace all batteries at the same time.
- Never mix battery types or new and old batteries.
- Only use the specified battery type and install correctly per the + and – polarity marks.
- Never short-circuit the terminals.
- CAUTION! Do not use rechargeable batteries. The battery compartment can become very hot.
- CAUTION! Batteries may only be changed when the device has cooled down.

## RECHARGEABLE BATTERIES

- Please do not use these batteries with other types of batteries. Remove the batteries before charging. Charging requires adult supervision. **DO NOT CHARGE OTHER TYPES OF BATTERIES.**

## BATTERY-POWERED LED

- Always handle batteries safely: Only use commercially approved 3 x 1.5V LR14 batteries in good condition.

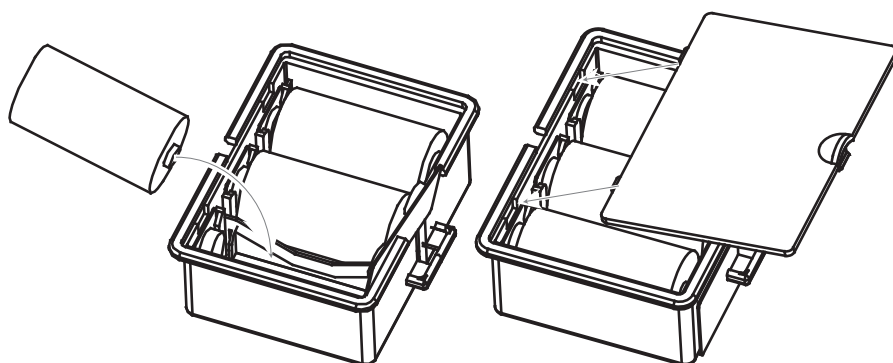
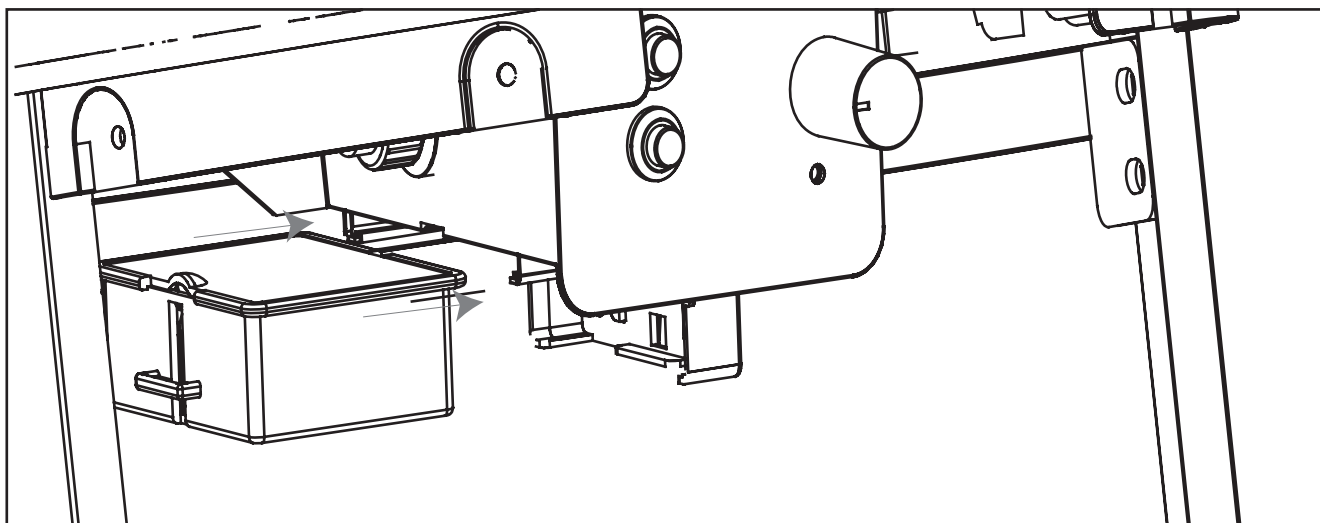
## BATTERY-POWERED IGNITOR

- Always handle batteries safely: only use commercially approved 1 x 1.5V LR6 batteries in good condition.

## CHANGING THE LED BATTERY



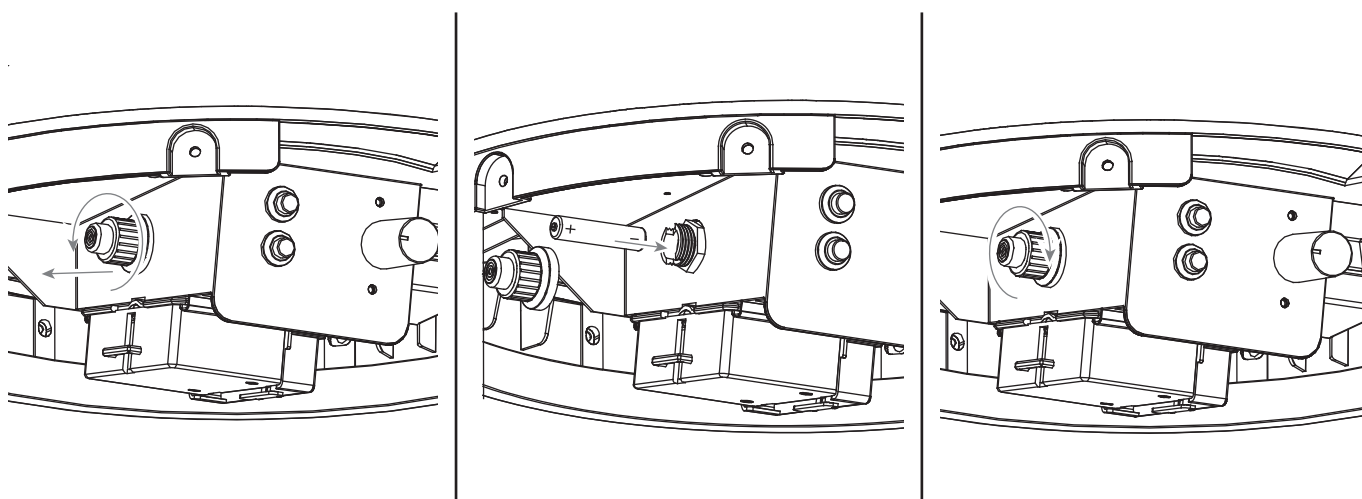
- 3 x 1,5V LR14 (C)  
(not included)



## CHANGING THE PILOT BATTERY



- 1,5 V DC LR6 (AA)  
(included)



## FIRST AID MEASURES



### FIRE-FIGHTING MEASURES

- Bring everyone in the vicinity to safety. If possible, close the valve on the gas canister. Cool the gas canister with water. Do not neglect your own safety. Spontaneous, explosive re-ignition is possible.
- In the event of fire, filled compressed gas containers must be removed from the area. If this is not possible, the compressed gas containers must be protected from intense heating by spraying them with water or similar agents from a protected spot.

### ACTION TO TAKE AFTER INHALATION OF GAS

- High concentrations can cause suffocation. Symptoms include loss of mobility and consciousness. The patient will not be aware that they are suffocating. In low concentrations dizziness, headaches, nausea and coordination problems can occur.
- Make sure the patient can breathe fresh air. Inform a doctor or the emergency services. Perform first aid measures if the patient stops breathing.

### ACTION TO TAKE IN THE EVENT OF SEVERE BURNS OR SCALDS

- There is an acute risk of hypothermia and shock. Call the emergency services immediately.
- If clothes are alight, extinguish the flames with water or smother them with a thick blanket.
- In case of scalds: Remove clothing immediately
- In case of burns: Leave clothes on.
- Cool for at least 15 with cold water until the pain subsides.
- Cover the affected area with a sterile Metalline® burn dressing. Place the Metalline® covered side on the damaged skin and fix loosely in place using a gauze bandage or a triangular bandage.
- Do not apply any „household remedies“ such as salves, powders, oils or disinfectants.

### ACTION TO TAKE IN THE EVENT OF MINOR BURNS OR SCALDS

- In case of scalds: Remove clothing immediately
- In case of burns: Only remove clothes if they are not stuck.
- Cool for at least 15 with cold water until the pain subsides.
- Allow burns or scalds without any blisters to heal in the air – do not cover with a plaster or bandage.

# CLEANING/MAINTAINING

## SAFETY NOTES



- Despite careful processing of all individual parts, individual components may have sharp edges. Always wear protective gloves in order to avoid injury.
- Hot surface: Before cleaning, wait until it has had sufficient time to cool.
- Do not modify the patio flame heater or pressure regulator in any way. The hose must be serviced after 5 years (see manufacturing date on the hose).
- Replace the pressure regulator and the hose after 10 years at the latest even if there are no obvious signs of damage. Make sure that the pressure regulator is approved for your country and the gas used and is set to the correct output pressure (see Technical data). A new hose may not be longer than 1.5 metres.
- Manipulation or changes to components sealed by the manufacturer is strictly forbidden.
- If the gas comes into contact with oil it creates an explosive mixture. Never try to loosen tight valves and control knobs with oil or penetrating oil.

### RISK OF FIRE AND EXPLOSION

- Do not use flammable cleaning agents.

### HANDLING OF THE GAS SYSTEM

- Repairs and maintenance to components carrying gas may only be carried out by authorised specialists.



- Do not use abrasive or chlorinated cleaning agents.
- Wipe dirty surfaces with a damp cloth or rinse with hot water. If necessary, use a mild cleaning agent. Rinse with water and dry all surfaces with a microfibre cloth.
- When using a mild cleaning agents, also observe the notices/product information of the product manufacturer to prevent damaging the surface.
- Allow the device to dry completely before using it again.

# STORAGE/TRANSPORT

## SAFETY NOTES



- Verify the cylinder valve is closed and the fire pit has cooled down.
- Disconnect the pressure regulator and gas hose from the gas cylinder by turning the swivel nut clockwise.
- Keep the device in a frost-free, dry location. Cover the device to prevent dirt build-up and damages. The fire pit must be completely cooled down.
- Keep the gas cylinder out of the reach of children.
- Keep the gas cylinder away from flammable gases and other oxidising substances.
- Leaking liquid gas is heavier than air and sinks to the floor. Do not keep the gas cylinder in the house, below ground level (e.g. basement, shaft, underground car park, etc.) or in non-ventilated areas where leaking gas could build up.
- Protect the gas cylinder from direct sunlight and other heat sources.
- Store the gas cylinder at temperatures under 40 °C, in a well ventilated, shaded location, protected from the weather.
- Store the gas cylinder upright and secured against tipping.
- This storage information also applies to empty gas cylinders, as these still contain a residual amount of liquid gas.
- If possible, do not transport the gas cylinder in vehicles where the cargo area is not separated from the cab. The driver must be aware of the potential hazards of the cargo and must know what do to in the event of an accident or in an emergency.
- Transport the gas cylinder upright, protected against tipping and moving.
- Ensure the valve on the gas cylinder is closed and tight.
- Inquire with your gas retailer about current national requirements and information.

# DISPOSAL



The product packaging is made of recyclable materials. Please dispose of packaging according to material type in the designated collection containers.

If you no longer wish to keep the article, do not throw it in the household waste. Please contact your local disposal company or your municipality about eco-friendly, resource-conserving disposal.



Drained batteries must be disposed of in compliance with legal requirements (Germany Battery Act - BattG). Empty batteries must not be disposed of with household waste. As a consumer, you are legally obliged to dispose of all rechargeable and non-rechargeable batteries, whether they contain harmful substances\* or not, at a collection point in your community, district or retail outlet so that they can be disposed of in an environmentally friendly manner.

\*marked with: Cd = cadmium, Pb = lead



# TECHNICAL DETAILS

**Model: NOVA LED L | NOVA LED M**

Item no.: 5600, 5601, 5602, 5603,  
5604, 5605, 5606, 5607,

$\sum Q_n H_s$ : 2,5 kW  
182 g/h

Type of gas: Propan G31/Butan G30

Product ID no.: 0063CU7953

Voltage LED: 3 x 1,5 V DC LR14

Rated Frequency: 1,35 K+/-10 % KHz

Rated current: 1 A

Rated powder: 2,5 W

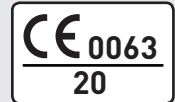
Voltage Igniter: 1,5 V LR6 AA-Batterie

This appliance has been tested and approved in accordance with DIN EN 14543 : 2017. As shipped, the appliance is designed for operation with liquid gas.

Recommended hose length: 0,4 m

**Gas canister:** Gas canister **NOVA M** Ø: 30 x 47 cm and **NOVA L** Ø: 30 x 59 cm can be positioned into the appliance.

Dest.	Cat.	p (mbar)	Nozzle designation burner (mm)
GB	I3+(28-30/37)	28-30/37	Ø 0,82



# ACCESSORIES

## PREMIUM WEATHER COVER NOVA L



Item no. 5609

## PREMIUM WEATHER COVER NOVA M



Item no. 5610

## TABLE SECTION 3-PACK



Item no. 5608

# GUARANTEE



We offer a **2 year warranty** on the function of the appliance. The warranty is contingent upon proper use of the unit and official proof of purchase including the date the unit was bought.

**The warranty becomes null and void after expiration of the guarantee period or immediately if independent modifications are performed on the appliance.** Manipulation of components sealed by the manufacturer or its representative is strictly forbidden!

If, despite our quality control measures, your product should display a defect, please contact Enders directly and do NOT return it to the retailer. This enables us to process your inquiry quickly.

Service:  
[www.enders-germany.com](http://www.enders-germany.com)

**Please complete and keep warranty card and proof of purchase for further reference!**

Model name:

Manufacturer part number

Serial number (see back of appliance)

Purchase date

Point of purchase

Attach proof of purchase

# HERSTELLER/FABRICANT/FABBRICANTE

**Enders Colsman AG**

Brauck 1

D-58791 Werdohl, Deutschland

+ 49 (0) 2392 978230

[www.enders-germany.com](http://www.enders-germany.com)

200825