



GRLLR Connect Sink Unit: Assembly & Operation Manual

Step-by-step guide for assembling the GRLLR Connect Sink Unit, including detailed instructions for each component, from caster installation to final assembly, ensuring a stable, functional, and ready-to-use outdoor sink setup.

Product Information

Connect Sink Unit

Elevate your outdoor cooking with the GRLLR Connect Sink Unit, meticulously crafted for exceptional quality and durability.

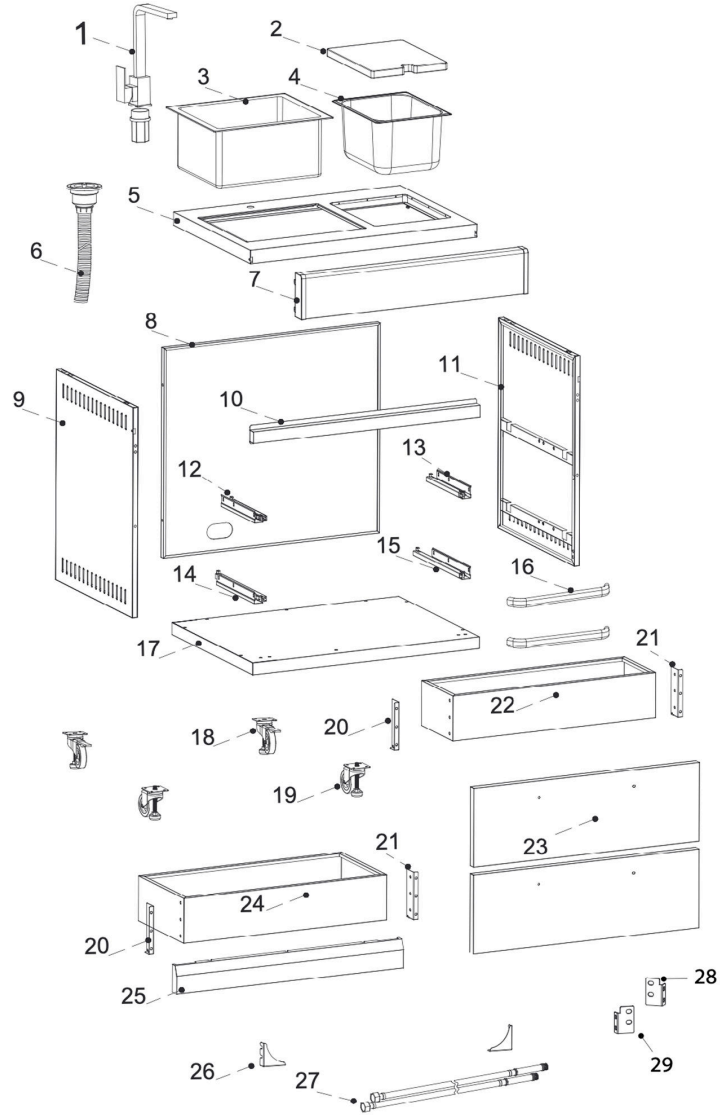
Featuring a 304 stainless steel heavy sink and kitchen top, soft close drawers, and heavy-duty casters, this versatile unit ensures convenience and stability.

Seamlessly integrate with other GRLLR Connect units for a customizable outdoor kitchen setup, and enjoy the included drainage set and wheel cover for added functionality and protection.

View product [↗](#)

Colors	Anthracite
Dimensions	80 x 62.5 x 88.5 cm
Weight	40 kg
SKU	GR-24-CON-SIU

Parts



- 1
Faucet
- 2
Chopping Board
- 3
Sink



4



Ice Bucket

5



Table Top

6



Drainer

7



Front Panel

8



Rear Panel

9



Left Side Panel

10



Bracket

11



Right Side Panel

12



Sliding Rail Left (Uper)

13



Sliding Rail Right (Uper)

14



Sliding Rail Left (Lower)

15




Sliding Rail Right (Lower)

16




Handle

17  Bottom Panel

18  Lock Caster

19  Caster

20  Left Bracket

21  Right Bracket

22  Upper Drawer

23  Drawer Panel

24  Lower Drawer

25  Wheel Cover

26  Connect Bracket

27  Water Hose

28  Left Bracket

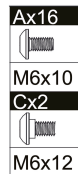
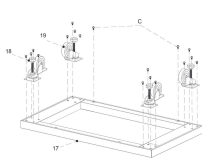
29  Right Bracket

30  A - M6×10 Screw

31  B - M5×12 Screw

32  C - M6×12 Step Screw

1. Attach the Casters to the Bottom Panel

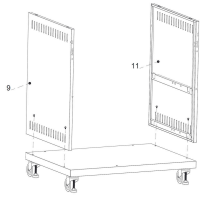


- Place the **Bottom Panel (17)** upside down.
- Attach **two Lock Casters (18)** and **two Casters (19)** to the corners.
- Secure with **M6×10 Screws (A)**.
- Tighten both **M6 × 12 Step Screws (C)** into the designated holes.

Parts used:

- Bottom Panel | 17 | 1×
- Lock Caster | 18 | 2×
- Caster | 19 | 2×
- M6×10 Screw | A | 16×
- M6×12 Step Screw | C | 2×

2. Attach the Side Panels to the Bottom Panel

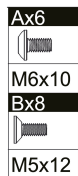
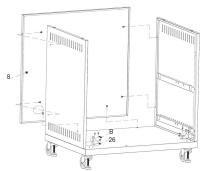


- Position the **Left Side Panel (9)** and **Right Side Panel (11)** vertically on the **Bottom Panel (17)**.
- Secure each side panel using **M6×10 Screw (A)** through the pre-drilled holes.
- Ensure both panels are aligned and firmly tightened.

Parts used:

- Left Side Panel | 9 | 1×
- Right Side Panel | 11 | 1×
- Bottom Panel | 17 | 1×
- M6×10 Screw | A | 4×

3. Attach the Rear Panel and Connect Brackets

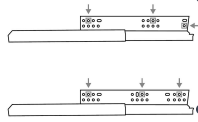
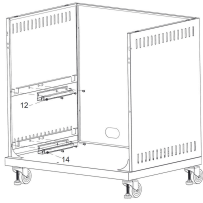


- Position the **Rear Panel (8)** between the **Side Panels (9 & 11)**.
- Secure the panel using **M6×10 Screw (A)**.
- Attach **Connect Brackets (26)** to the bottom corners at the front of the unit using **M5 × 12 Screws (B)**.

Parts used:

- Rear Panel | 8 | 1×
- Connect Bracket | 26 | 2×
- M6×10 Screw | A | 6×
- M5 × 12 Screws | B | 8×

4. Install the Left Drawer Slides



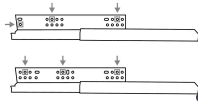
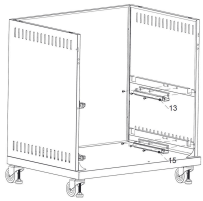
- Attach the **Upper Left Drawer Slide (12)** and **Lower Left Drawer Slide (14)** to the **Left Side Panel (9)**.
- Align each slide with the gray-highlighted mounting points in the image and secure using **M5×12 Screw (B)**.



Parts used:

- Upper Drawer Slide (Left) | 12 | 1×
- Lower Drawer Slide (Left) | 14 | 1×
- M5×12 Screw | B | 6×

5. Install the Right Drawer Slides



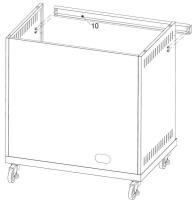
- Attach the **Upper Right Drawer Slide (13)** and **Lower Right Drawer Slide (15)** to the **Left Side Panel (9)**.
- Align each slide with the gray-highlighted mounting points in the image and secure using **M5×12 Screw (B)**.



Parts used:

- Upper Drawer Slide (Right) | 13 | 1×
- Lower Drawer Slide (Right) | 15 | 1×
- M5×12 Screw | B | 6×

6. Attach the Rear Support Bar

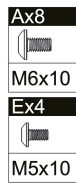
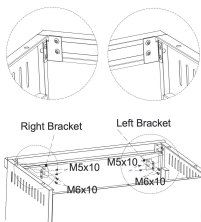


- Position the **Bracket (10)** across the top rear edges of the **Side Panels (9 & 11)**.
- Secure both ends using **M6×10 Screws (A)** to ensure the structure is stable and square.

Parts used:

- Bracket | 10 | 1×
- M6×10 Screw | A | 4×

7. Secure the Door Bracket

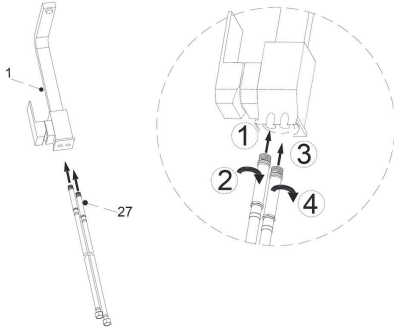


- Attach the Left (28) and Right (29) Brackets to the sides of the Door Bracket (4)
- Secure them using M6x10 and M5x10 screws

Parts used:

- Left Bracket | 24 | 1×
- Right Bracket | 25 | 1×
- M6×10 Screw | A | 8×
- M5×10 Screw | E | 4×

8. Connect the Faucet and Water Hoses

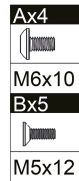
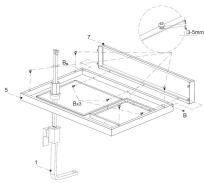


- Insert the **Water Hoses (27)** into the bottom of the **Faucet (1)**.
- Insert and tighten one hose, then the other.
- Ensure both hoses are securely tightened and properly aligned with the faucet base.

Parts used:

- Faucet | 1 | 1x
- Water Hose | 27 | 2x

9. Install the Faucet and Drainer Panel



- Attach the **Front Panel (7)** to the **Table Top (5)** using **M5x12 Screws (B)**.
- Insert **M6x10 Screws (A)** on the designated holes leaving a 3–5 mm gap as shown.

- Insert the **Faucet (1)** through the opening in the **Table Top (5)** and secure it tightly.

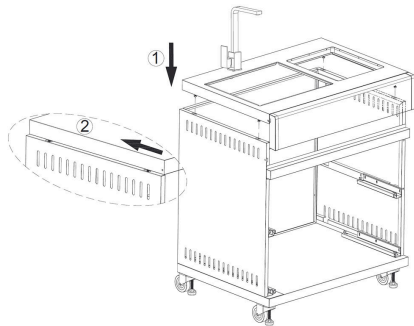
Note!

If you have purchased one of our different countertop options, at this step, please use the preferred top, instead of the standard model included in the original packaging.

Parts used:

- Table Top | 5 | 1x
- Front Panel | 7 | 1x
- M6x10 Screw | A | 4x
- M5x12 Screw | B | 5x

10. Install the Tabletop Assembly and Rear Panel Cover

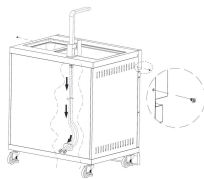


- Place the **Table Top Assembly (1)** onto the frame, aligning it with the **Side Panels (9 & 11)**.
- Slide the top assembly **backwards** until it locks into position as shown.

Parts used:

- Table Top Assembly | 1 | 1×

11. Secure the Faucet and Route the Water Hoses

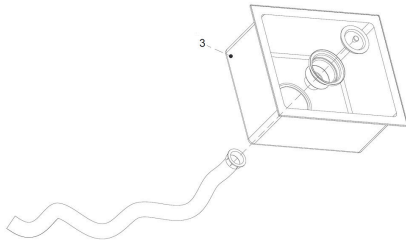


- Feed the **Water Hoses (27)** from the **Faucet (1)** through the back opening of the unit.
- Secure the sides of the table top using **M5×12 Screws (B)** to ensure a tight fit.

Parts used:

- Faucet | 1 | 1×
- Water Hose | 27 | 2×
- M5×12 Screw | B | 2×

12. Connect the Sink Drain Hose

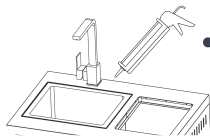
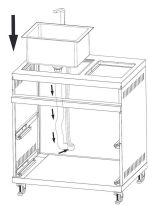


- Attach the **Drainer (6)** to the outlet under the **Sink (3)**.
- Ensure the connection is tight and properly seated to prevent leaks during use.

Parts used:

- Sink | 3 | 1x
- Drainer | 6 | 1x

13. Install the Sink



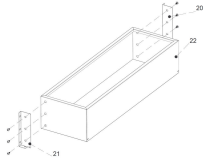
- Lower the **Sink (3)** into the designated opening on the assembled unit.
- Feed the **Drainer (6)** through the rear panel and ensure it runs smoothly toward the bottom without kinks or

twists.

Note!

Apply an appropriate outdoor sealant around the sink edges to ensure a waterproof fit and to prevent water ingress.

14. Assemble the Upper Drawer



- Attach the **Left Bracket (20)** and **Right Bracket (21)** to the sides of the **Upper Drawer (22)** using **M5x12 Screws (B)**.

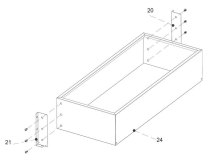
- Ensure the brackets are aligned evenly and fully

tightened on both sides.

Parts used:

- Upper Drawer | 22 | 1x
- Left Bracket | 20 | 1x
- Right Bracket | 21 | 1x
- M5x12 Screws | B | 6x

15. Assemble the Lower Drawer



- Attach the **Left Bracket (20)** and **Right Bracket (21)** to the sides of the **Lower Drawer (24)** using **M5x12 Screws (B)**.

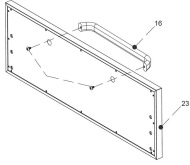
- Ensure the brackets are aligned evenly and fully

tightened on both sides.

Parts used:

- Lower Drawer | 24 | 1x
- Left Bracket | 20 | 1x
- Right Bracket | 21 | 1x
- M5x12 Screws | B | 6x

16. Assemble the Drawer Front Panels

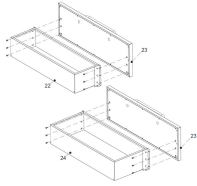


- Attach the **Handle (16)** to the front of each **Drawer Panel (23)** using **M6×10 Screws (A)**.
- Ensure the handles are centered and firmly secured before attaching the panels to the drawers.

Parts used:

- Drawer Panel | 23 | 2×
- Handle | 16 | 2×
- M6×10 Screw | A | 4×

17. Attach the Drawer Front Panels

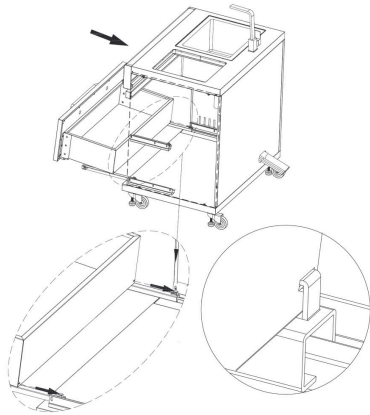


- Attach the **Drawer Panel (23)** to the front of the **Upper Drawer (22)** with **M5×12 Screws (B)**.
- Attach the **Drawer Panel (23)** to the front of the **Lower Drawer (24)** with **M5×12 Screws (B)**.
- Ensure both panels are aligned evenly and secured tightly.

Parts used:

- Upper Drawer | 22 | 1×
- Lower Drawer | 24 | 1×
- Drawer Panel | 23 | 2×
- M5×12 Screws | B | 12×

18. Insert the Drawers

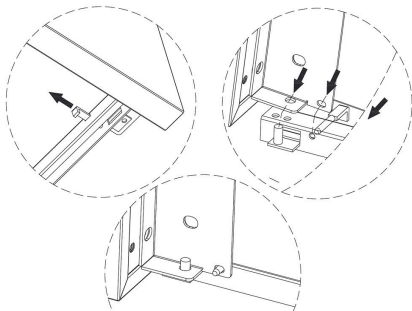


- Slide the **Upper Drawer (22)** and **Lower Drawer (24)** into the corresponding drawer slides inside the unit.
- Push each drawer in until it clicks securely into the rail locks and moves smoothly.✎

Parts used:

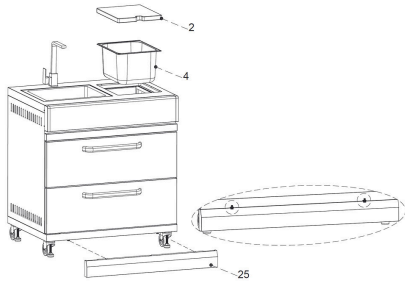
- Upper Drawer | 22 | 1✎
- Lower Drawer | 24 | 1✎✎

19. Secure the Drawer Locks



- Push the drawers fully inward until the locking clips on each rail engage.
- Ensure the pins slide correctly into their slots and the drawers are firmly secured in place.

20. Install the Ice Bucket, Cover, and Wheel Covers



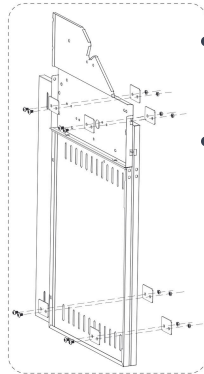
- Place the **Ice Bucket (4)** into the right opening of the tabletop.
- Cover it with the **Chopping Board (2)**.
- Position the **Wheel Cover (25)** along the front bottom edge of the unit, covering the casters.
- Align the screw holes and lock into position using **M6 × 12 Step Screws (C)** from underneath.

Note: The Wheel Cover (25) should only be attached when the product will remain stationary.

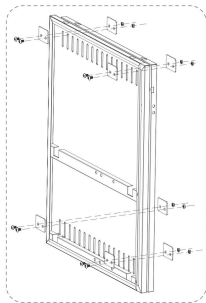
Parts used:

- Chopping Board | 2 | 1×
- Ice Bucket | 4 | 1×
- Wheel Cover | 25 | 2×

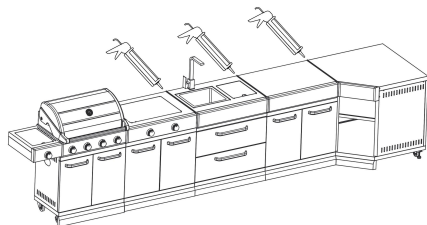
21. Connecting the Units



- Align the rear panel between the left and right side panels.
- Secure it using M5×12 screws to attach the connect bracket, ensuring stability and proper alignment with the rest of the structure.



22. After connecting



We strongly recommend sealing the joints between the units along the top edge of the kitchen tops, as well as between every kitchen top and the fascia, with an appropriate outdoor sealant to prevent water ingress.



23. Preventing Rust

Rust is a chemical process in which iron oxidizes and begins to flake away the metal. This is caused by water that soaks into the metal or comes in contact with the metal frequently over time. As an outdoor appliance made of steel, some surface rust should be expected from time to time. Keeping your grill under cover, clean and dry, goes a long way toward preventing rust from occurring. Some tips are:

1. Ensure cooking surfaces (including flame tamer) are kept clean and dry after cooking, particularly after cooking with marinades. The cooking surface should be rubbed with oil after use.
2. Do not leave the grill out in the rain.
3. Do not store the grill when it is wet. Dry thoroughly first.
4. During both summer and winter, periodically remove the cover to enable the grill to air out, and get rid of any built-up condensation.
5. Light surface rust can be easily removed with a rag, soaked in white vinegar, or using a commercial rust remover. Dry the affected area and apply a coating of rust-preventing fluid, available at most auto stores.
6. Chipped enamel can be treated with touch-up paint to cover the bare metal surface.



24. Maintaining Powder-Coated Steel

Frequency: Clean every 3–6 months or more often if the item is exposed to harsh environments (e.g., coastal areas, high pollution).

Method:

- Use a soft cloth or sponge with warm water and mild detergent.
- Avoid abrasive cleaning tools like steel wool or scouring pads that can scratch the surface.
- Use minor clean water to remove any residue.
- Dry with a soft cloth to prevent water spots or streaks.

2. Avoid Harsh Chemicals

- Do not use solvents, strong alkaline cleaners (e.g., ammonia), or acidic products, as these can damage the powder coating.
- Stick to pH-neutral or slightly alkaline cleaning solutions.

3. Protect Against Scratches

- Use care when handling or storing powder-coated items to avoid scratching the surface.
- If scratches occur, touch them up promptly with a matching paint or protective coating to prevent rust or further damage.

4. Protect from Harsh Conditions

If the powder-coated steel is outdoors:

- Use a silicone-based wax, car wax, or a clear protective sealant specifically formulated for powder-coated surfaces.
- This adds a water-repellent layer, reducing the chance of water penetration and rust formation.
- Reapply every 6–12 months for outdoor items.

5. Inspect Regularly

- Check for chips, cracks, or peeling in the powder coating.
- Address any damage promptly to prevent rusting or corrosion underneath the coating.

6. Lubricate Moving Parts (if applicable)



- For items like hinges or joints, use a silicone-based lubricant to keep them functional and protect against corrosion.

7. Ensure Proper Drainage and Ventilation

- **Avoid water pooling:** Design or place powder-coated items in a way that prevents water from accumulating, such as tilting outdoor furniture slightly for runoff.
- **Ventilation:** Ensure proper airflow around the item to allow quick drying after exposure to rain or cleaning.

8. Apply a Protective Coating:

Products like silicone-based sprays or car wax can repel water and add a shiny finish.

25. Preventing Rust on Stainless Steel

1. Regular Cleaning

Frequency: Clean every 3-6 months or more often if the item is exposed to harsh environments (e.g., coastal areas, high pollution).

Remove Contaminants: Clean stainless steel regularly to remove dirt, salt, grease, or other debris that can lead to rust.

- Use warm water and a mild detergent with a soft cloth or sponge.
- Rinse thoroughly with clean water and dry with a microfiber cloth to prevent water spots.

Avoid prolonged exposure to saltwater or chloride-based cleaners, as these can corrode stainless steel.

2. Protect the Surface

Apply a Protective Coating: Use a stainless steel polish, wax, or clear protective coating to create a barrier against moisture and contaminants.

Use Passivation Treatments: For higher corrosion resistance, apply a passivating agent (available commercially) to remove iron contaminants and reinforce the chromium oxide layer.



26. Storage

Check these instructions if you stop using the for a longer time or you wish to put the unit into storage for the winter, for example. Proper storage prolongs the unit service life and keeps it operational for many years.

- Clean inner and outer metal surface.
- Keep the all parts in dry.
- These parts need to be stored in a dry and warm space. It is also recommended that use a cover to protect the unit.



27. Warranty

****Company Address**** The GRLLR Company B.V.\ Leeststraat 43 A\ 4813 BC Breda\ The Netherlands

****Conditions of Warranty****

- * This limited warranty applies only to products registered within 30 days of purchase according to instructions in the manual.
- * Proof of purchase date according to buying receipt.
- * The GRLLR manual must be kept, in order to refer back to it.
- * Products must be assembled, used and maintained according to the manuals.
- * Any alteration, reparation or adjustment of the original product parts will cancel the validity of this warranty.

****1. Coverage**** GRLLR warrants this Connect Unit to be free from defects in material and workmanship from the date of purchase by the original consumer purchaser. This warranty is limited to the following components:

- * Cast Iron parts have a warranty period of 5 years - no rust through or burn through
- * All stainless steel parts have a warranty of 10 years from the date of purchase.
- * Kamado worktop has a warranty of 2 years, provided adequate maintenance with seasonal oil.
- * Water drainage accessories and tap have a warranty of 2 years from the time of purchase.
- * All other parts are covered for 5 years from the date of purchase. Please note: Surface rust is normal and can be cleaned easily. If not maintained properly as indicated in the manual, it can become a bigger issue. Please follow the instructions for optimal usability and durability.

****2. What Is Not Covered****

****This limited warranty does not cover the following****

- * Normal wear and tear.
- * Damage caused by improper assembly, installation, use or maintenance.
- * Commercial use of this product.
- * Any modifications or alterations made to the appliance.
- * Damage caused by accidents, misuse, abuse, or neglect.
- Surface corrosion, discoloration, or rust.

****Excluded from this warranty are the following:****

- * Removal or re-installation expenses. This warranty does not cover transit or in-home service costs.
- * We do not assume responsibility for any loss or damage that occurs during transportation.
- * This warranty does not apply to instances of inadequate maintenance, abuse, neglect, misuse, accidental or improper installation of the appliance.
- * Any cosmetic imperfections, including scratches, dents, corrosion, or discoloration due to heat, abrasive chemical cleaners, or chipping of porcelain enamel components, as long as they do not impair the functionality of the appliance.
- * Costs related to cleaning and normal wear and tear will be subject to service charges.
- * Corrosion or damage resulting from exposure to elements such as insects, weather, hail, grease and fat fires, abrasive chemicals, food acids, and juices are not covered.
- * Commercial use of this appliance is not included in the warranty.
- * Unauthorised repairs or alterations during the warranty period are not eligible for coverage.
- * Surface rust is not considered an eligible warranty claim.

****3. Exclusive Remedy**** In the event of a covered defect, GRLLR will, at its option, repair or replace the



defective part or product. The cost of labor for removal or installation of the replacement part is not covered. ****4. How to Obtain Service**** If you believe that your GRLLR product is defective and covered under this warranty, please contact our Customer Service Department at the contact information provided above. ****5. Limitation of Liability**** To the extent permitted by applicable law, GRLLR's liability under this warranty is limited to the repair or replacement of defective parts or products, as specified in section 3 above. GRLLR shall not be liable for any other damages, including but not limited to incidental, consequential, or punitive damages. ****6. Governing Law**** This warranty shall be governed by and interpreted in accordance with the laws of the country or jurisdiction where the product was purchased. ****7. Non-Transferable**** This warranty is valid only for the original consumer purchaser and is not transferable to subsequent owners. ****8. Other Conditions****

- * Set-up and installation of all GRLLR products must conform with the manual, as well as with the applicable Gas, Electrical and Building standards as laid down by the local laws and codes in your country, state or region.
- * Do not place any GRLLR BBQ, Oven or Stove directly on/near a combustible surface, such as tables, carpets, wooden floors or other combustible materials. You must use a refractory barrier with adequate thickness as a protective base, such as concrete tiles between the GRLLR product and a combustible surface. Improper use of GRLLR products or misplacement of any GRLLR BBQ, Oven or Stove will cancel any warranty validity and dis-claims all liability for direct, indirect or incidental damages.
- * This warranty has been translated from English to several other languages. We do not cover claims that result from a mistranslation or a poor interpretation of context. At the GRLLR Company, we always strive to help our clients and partners as well as we can. Disagreements will always refer to the English or Dutch warranties to rule out contextual mistranslations.

For warranty claims or spare parts, please contact: ******** To register your GRLLR product, please go to [www.grllr.com](<https://grllr.com/>)

