

OWNER'S MANUAL



GRAND CHAMP™

Model #8250



**Keep your receipt with
this manual for Warranty.**

**CUSTOMER SERVICE
1-912-638-4724
Service@CharGriller.com**

Contents of this manual are Trademarked and Copyrighted by Char-Griller® | A&J Manufacturing
Using the information contained in this manual without consent of Char-Griller® and/or A&J Manufacturing is strictly prohibited.



TABLE OF CONTENTS

Safety Warnings & Warranty	A-1
Assembly Instructions	B-1
Product Usage	C-1
Recipes	D-1
Accessories	E-1

IMPORTANT SAFETY WARNINGS

READ ALL SAFETY WARNINGS AND INSTRUCTIONS CAREFULLY BEFORE ASSEMBLING AND OPERATING YOUR GRILL

Read the following instructions carefully and be sure your grill is properly assembled, installed, and maintained. Failure to follow these instructions may result in serious bodily injury and/or property damage. If you have any questions concerning assembly or operation, call 1-912-638-4724.

- Grill is for use outdoors and in well-ventilated areas, only.
- Use caution when assembling and operating your grill to avoid scrapes or cuts from sharp edges
- Do not use lighter fluid, gasoline, kerosene, alcohol or other accelerant for lighting charcoal due to flammability, risk of bodily injury and potential to leave a distasteful flavor in your food.
- Do not leave a lit grill unattended. Keep children and pets away from grill at all times.
- Do not use grill in high winds.
- Use caution when moving grill to prevent strains.
- The use of alcohol, prescription or non-prescription drugs may impair the operator's ability to properly assemble or safely operate the grill.
- Use grill at least 3 ft. from any wall or surface. Maintain 10 ft. clearance to objects that can catch fire or sources of ignition such as pilot lights on water heaters, live electrical appliances, etc.
- When adding charcoal and/or wood, use extreme caution.
- Never move grill when it is in use or when it contains hot coals or ashes.
- Do not use grill for indoor cooking or heating. TOXIC fumes can accumulate and cause asphyxiation.
- Do not use in or on boats or recreational vehicles.
- Make sure to empty grease can after every use once completely cooled.
- Do not place grill near flammable liquids, gases, or where flammable vapors may be present.
- When cooking with oil/grease, do not allow the oil/grease to exceed 350°F (177°C). Do not store or use extra cooking oil in the vicinity of this or any other grill.
- Use caution since flames can flare-up when fresh air suddenly comes in contact with fire.



WARNING: FUELS USED IN WOOD OR CHARCOAL BURNING APPLIANCES, AND THE PRODUCTS OF COMBUSTION OF SUCH FUELS, CAN EXPOSE YOU TO CHEMICALS INCLUDING CARBON BLACK, WHICH IS KNOWN TO THE STATE OF CALIFORNIA TO CAUSE CANCER, AND CARBON MONOXIDE, WHICH IS KNOWN TO THE STATE OF CALIFORNIA TO CAUSE BIRTH DEFECTS OR OTHER REPRODUCTIVE HARM. *For more information go to:* www.P65Warnings.ca.gov.

ADVERTENCIA: LOS COMBUSTIBLES USADOS EN EQUIPOS PARA QUEMAR MADERA O CARBÓN, ASÍ COMO LOS PRODUCTOS DE TAL COMBUSTIÓN, PUEDEN EXPONERTE A SUSTANCIAS QUÍMICAS, ENTRE ELLAS EL NEGRO DE HUMO Y EL MONÓXIDO DE CARBONO, QUE EL ESTADO DE CALIFORNIA RECONOCE COMO CAUSA, RESPECTIVAMENTE, DE CÁNCER Y DE MALFORMACIONES CONGÉNITAS Y OTROS DAÑOS AL SISTEMA REPRODUCTOR. *Para más información, visite www.P65Warnings.ca.gov*



IMPORTANT SAFETY WARNINGS

(Continued)

- Do not lean over an open grill and be mindful of hands/fingers near the edge of the cooking area.
- When opening the lid, keep hands, face, and body safe from hot steam and flame flare-ups.
- **WARNING:** To avoid injuries, gloves or other protective articles should be used when operating the grill.
- Do not exceed a temperature of 350°F.
- Do not allow charcoal and/ or wood to rest on the walls of grill. Doing so will greatly reduce the life of the grill.
- Always wear grill gloves to protect hands from burns. Avoid touching hot surfaces.
- **CAUTION:** Exposed metal dampers on air vents and/or metal handles are hot during usage. Again, always wear grill gloves when adjusting air flow to protect hands from burns.
- Do not alter this grill in any manner.
- When opening lid, make sure it is pushed all the way back so it rests against the lid support brackets. Use extreme caution as hood could fall back to a closed position and cause bodily injury.
- Close lid and all dampers to help suffocate flame.
- Always hold an open lid from the handle to prevent it from closing unexpectedly.
- Never leave coals and ashes unattended. Before grill can be left unattended, coals and ashes must be removed. Use caution to protect yourself and property.
- Carefully place remaining coals and ashes in a noncombustible metal container and saturate completely with water. Allow coals and water to remain in a metal container for 24 hours prior to disposing.
- To protect against bacteria that could cause illness, keep all meats refrigerated and thaw in refrigerator or microwave. Keep raw meats separate from other foods, and wash everything that comes in contact with raw meat.
- Cook meat thoroughly, and refrigerate leftovers immediately.
- Use a calibrated food thermometer and the USDA guidelines to ensure that meat, poultry, seafood, and other cooked foods reach a safe minimum internal temperature.
- Always have a fire extinguisher near at all times. Maintain and check your fire extinguisher regularly.

THESE WARNINGS ALSO APPLY TO THE SIDE FIRE BOX.

*** STOP! CALL FIRST! ***

Do NOT Return Product to Store.

This grill has been made according to the highest of quality standards. If you have any questions not addressed in this manual or if you need parts please call our Customer Service Department at 1-912-638-4724 (USA) or email Char-Griller® at: Service@CharGriller.com and have your serial number handy.

REGISTER YOUR GRILL:

To take full advantage of the Char-Griller® warranty be sure to register your grill by visiting www.CharGriller.com/Register or calling Customer Service at 1-912-638-4724.

Registration provides important protections:

1. Register your grill today to activate your warranty and get exclusive access to product developments, updates, and recipes.
2. This allows us to help you get warranted parts to your quickly and provide enhanced customer service.

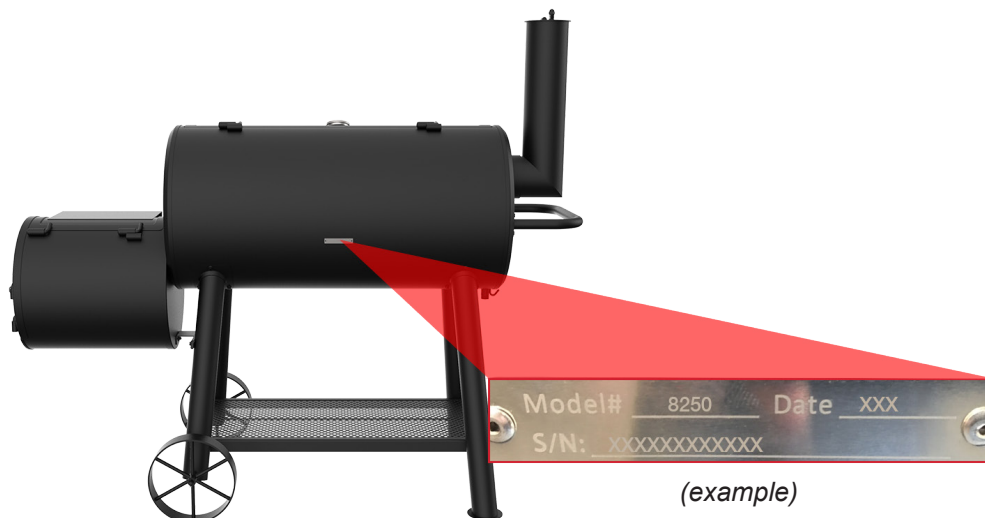
NOTE: You will need your model #, serial number, and a copy of the original sales receipt when registering.



Document Your Serial Number HERE:

(Serial number is located on the back of the griddle body or on the leg.)

(SERIAL #)





WARRANTY INFORMATION

A COPY OF THE DATED PROOF OF PURCHASE (RECEIPT) IS REQUIRED WHEN REGISTERING OR SUBMITTING A WARRANTY* CLAIM. PLEASE RETAIN A COPY OF THE RECEIPT FOR YOUR RECORDS.

Char-Griller® will replace any defective part of its grillers/smokers, under warranty, as outlined below.

PLEASE READ THIS INFORMATION IN DETAIL AND IF YOU HAVE ANY QUESTIONS CONTACT CUSTOMER SERVICE AT 1-912-638-4724 OR SERVICE@CHARGRILLER.COM.

Charcoal / Pellet / Kamado Grills	
Grill - Hood AND Bottom (excludes removable Ash Pan)	5 years from date of purchase for rust through / burn through
Ash Pan AND Defective Parts	1 year from date of purchase
Gas Grills	
Grill Hood (TOP half) AND Main Burner Tubes (excludes Side Burner)	5 years from date of purchase for rust through / burn through
Grill Body (BOTTOM half) AND Side Burner AND Defective Parts	1 year from date of purchase
Dual Fuel Grills (Gas & Charcoal)	
Charcoal Grill - Hood AND Bottom AND Gas Grill Hood (TOP half) AND Main Burner Tubes (excludes Ash Pan and Side Burner)	5 years from date of purchase for rust through / burn through
Ash Pan AND Defective Parts AND Gas Grill Body (BOTTOM half) AND Side Burner	1 year from date of purchase
Parts, Accessories, and Grill Covers	
	1 year from date of purchase (seam tears only for covers)

SURFACE RUST IS NOT CONSIDERED A MANUFACTURING OR MATERIALS DEFECT

Char-Griller® grills are made of steel and if exposed to the elements rust will occur naturally. Please refer to the section entitled, "Usage" to review how to care for your grill properly.

Surface issues such as scratches, dents, corrosion or discoloring by heat, abrasive and chemical clearers, surface rust or the discoloration of steel surfaces are NOT covered under these warranties.

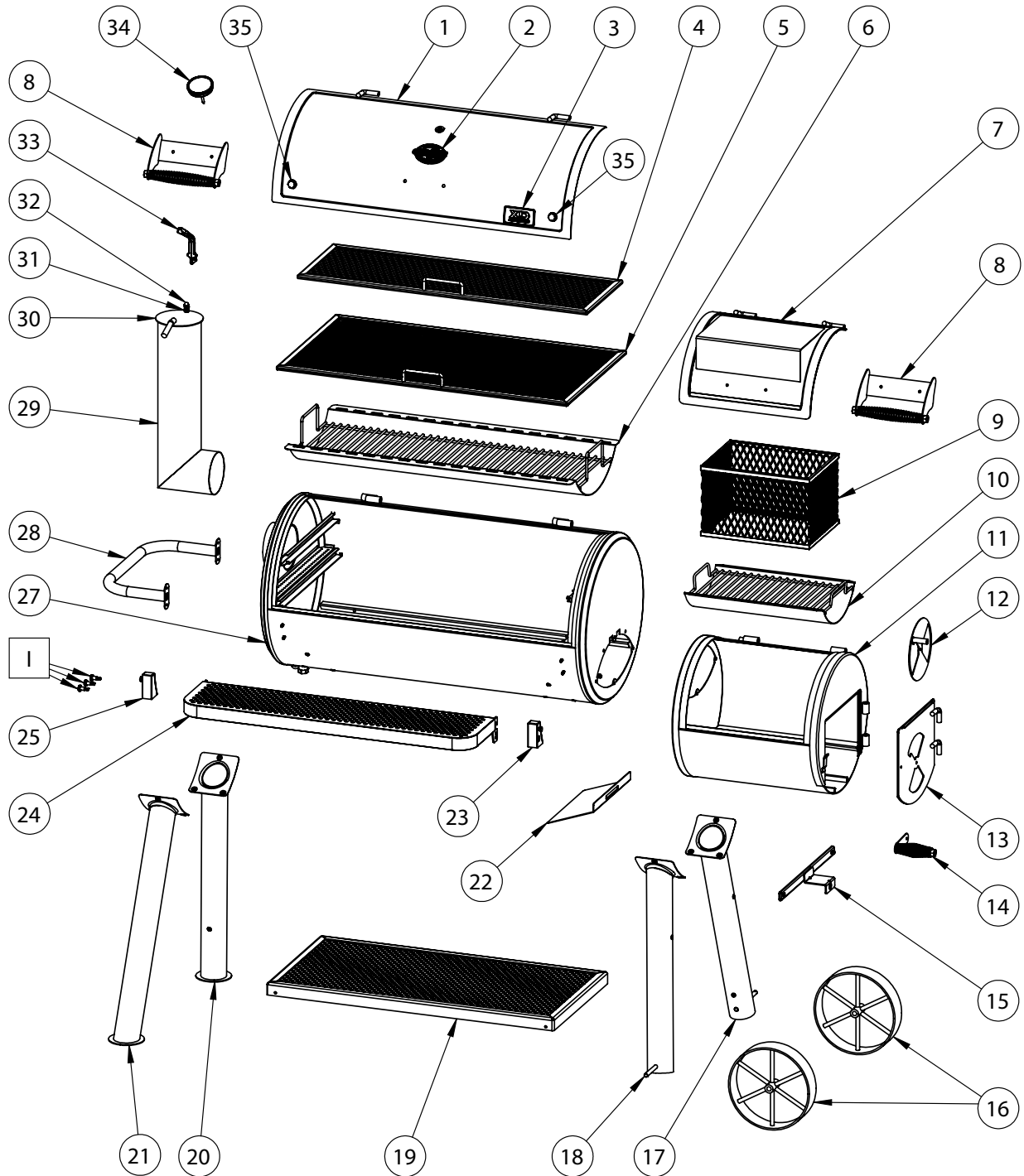
Warranties are for the replacement of defective parts only. Char-Griller® is not responsible for damage resulting from accident, alteration, misuse, abuse, hostile environments, improper installation, and installation not in accordance with local codes of service of unit.

Excluded Under ALL Warranties

Paint; Surface Rust; Heat Damage; Incorrect Parts ordered by customer, including shipping; Worn Parts; Missing or damaged parts not reported within two (2) months of purchase date; Defective parts not reported within one (1) year of purchase date; Fading grill cover.

*NOTE: For warranty claims, photos and prepaid return of the item in question may be required. Misuse, abuse or commercial use nullifies all warranties.

ASSEMBLY INSTRUCTIONS



sold under license from w.c. bradley co.



PARTS LIST


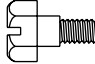

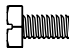













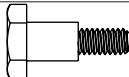
Item	QTY	Part Name
1	1	LID
2	1	LOGO PLATE
3	1	LOGO PLATE, X-D, SERIES
4	1	WARMING RACK
5	1	COOKING GRATE
6	1	ASHPAN AND CHARCOAL GRATE
7	1	SIDE FIRE BOX LID
8	2	LID HANDLE
9	1	SMOKE BASKET
10	1	SIDE FIRE BOX ASHPAN
11	1	SIDE FIRE BOX BODY
12	1	SIDE FIRE BOX DAMPER
13	1	SIDE FIRE BOX DOOR
14	1	SIDE FIRE BOX DOOR HANDLE
15	1	SIDE FIRE BOX SUPPORT BRACKET
16	2	WHEEL
17	1	REAR SHORT LEG
18	1	FRONT SHORT LEG
19	1	BOTTOM SHELF
20	1	REAR LONG LEG
21	1	FRONT LONG LEG
22	1	SMOKE SHIELD
23	1	FRONT SHELF RIGHT BRACKET
24	1	FRONT SHELF
25	1	FRONT SHELF LEFT BRACKET
I	3	UTENSIL HOOK (INCLUDED IN HARDWARE PACK)
27	1	GRILL BODY
28	1	SIDE HANDLE
29	1	SMOKESTACK
30	1	SMOKESTACK DAMPER
31	1	SMOKESTACK SPRING
32	1	ACORN NUT
33	1	GRATE LIFTER
34	1	THERMOMETER & HARDWARE
35	2	HEX BOLT, COVERS HOLE FOR OPTIONAL THERMOMETER PLACEMENT

HARDWARE NEEDED

Assembly: Requires 2 people. Tools Needed: Hammer, Phillips Head Screwdriver, Pliers, and a 7/16" Nut Driver.

****NOTE: DO NOT fully tighten any bolts until instructed to do so. Tightening too soon may prohibit parts from fitting together. All hex nuts should be on the inside of the grill unless stated otherwise. Unpack all contents in a well cleared and padded area.****

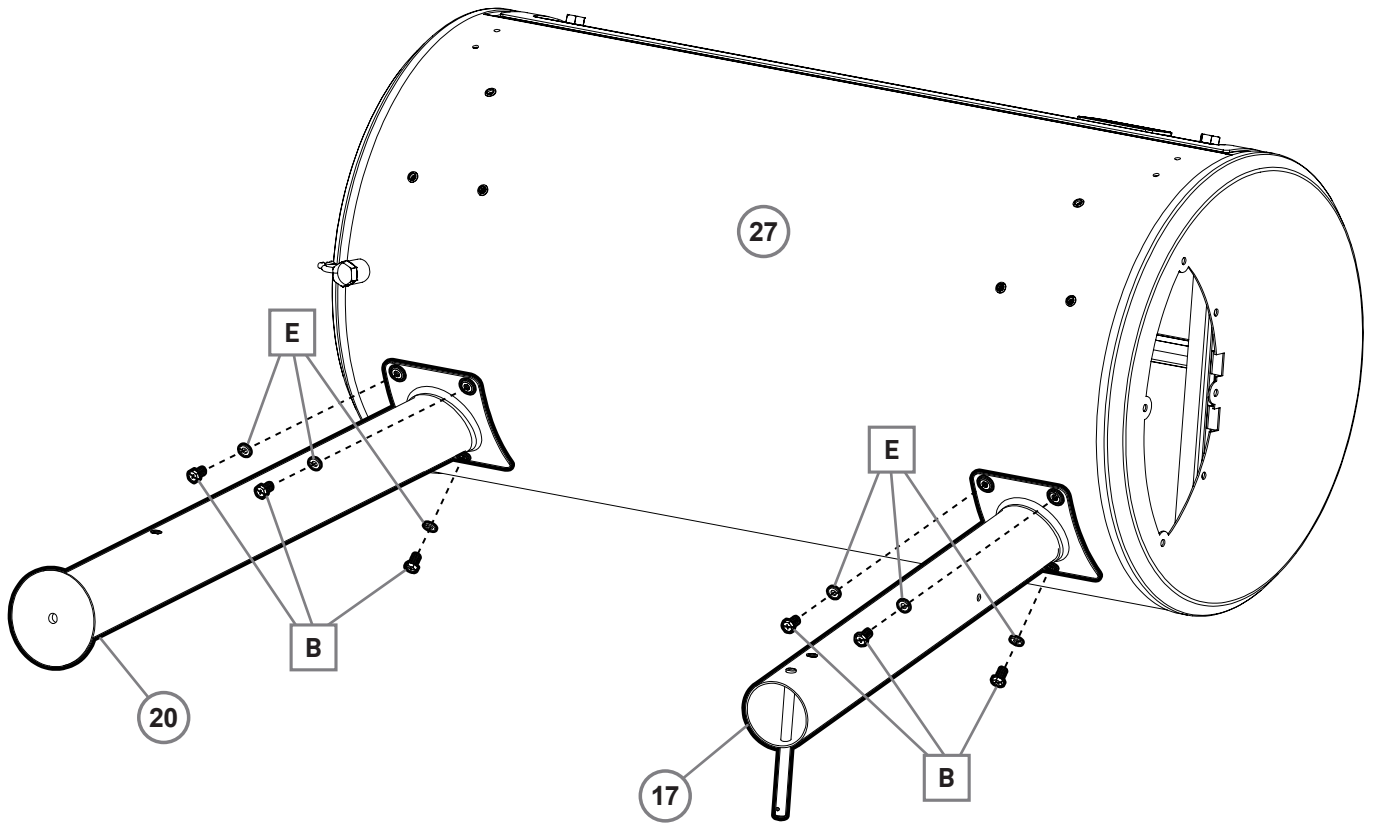
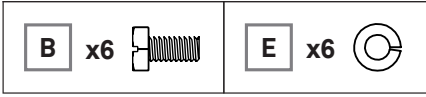
Estimated Time: 45 minutes

Part No.	Description	Photo		QTY
A	SHOULDER BOLT 1/4-20 X 3/8"			2
B	HEX BOLT 1/4-20 X 1/2"			32
C	HEX BOLT 1/4-20 X 3/4"			8
D	HEX NUT, FLANGE, 1/4-20			12
E	WASHER, LOCK, 1/4"			20
F	WASHER, FLAT, 1/4"			4
G	WASHER, FLAT, 1/2"			2
H	PIN, HAIR COTTER, 1.5"			2
I	UTENSIL HOOK			3



Hardware Pack: #551156

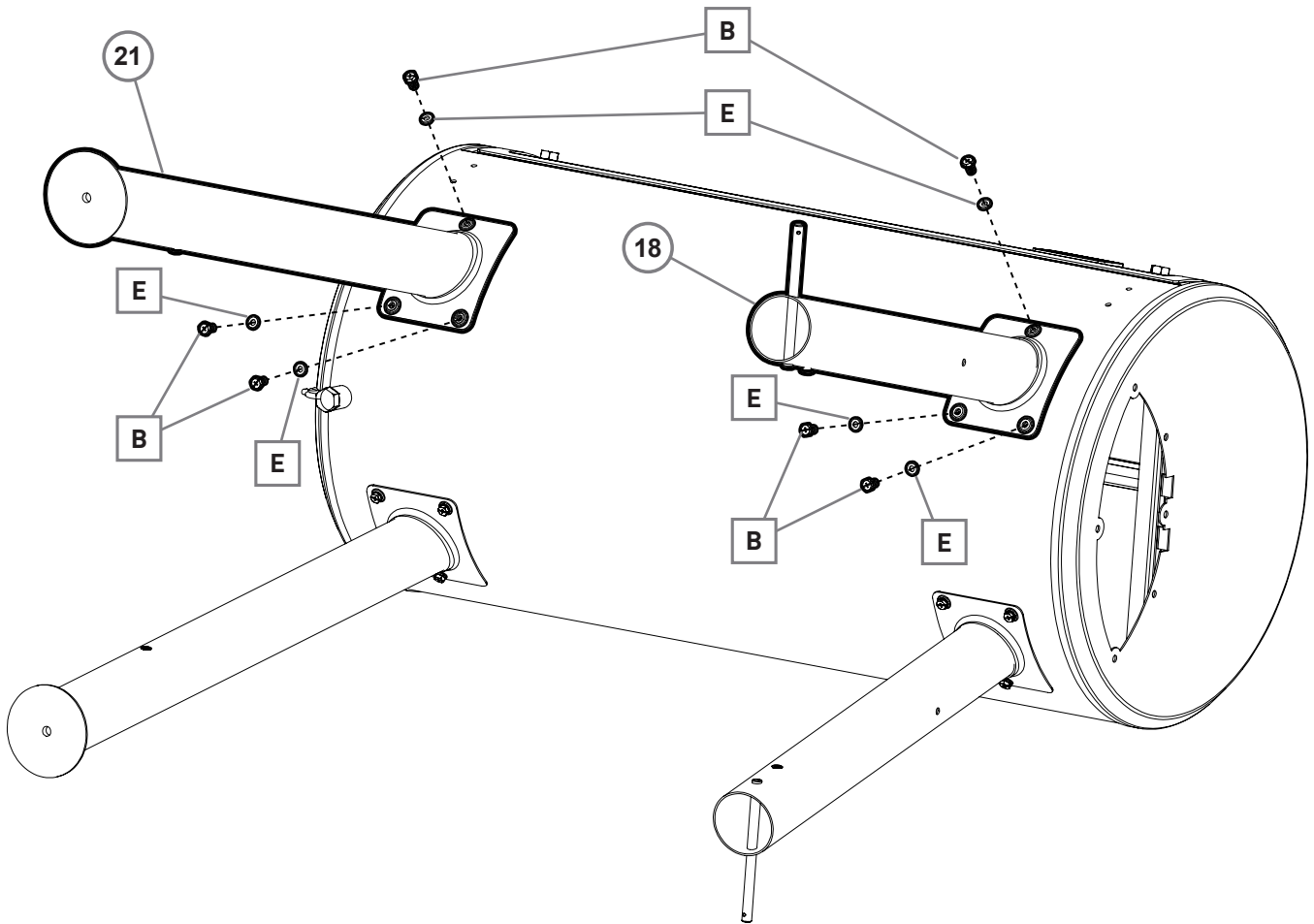


STEP 1



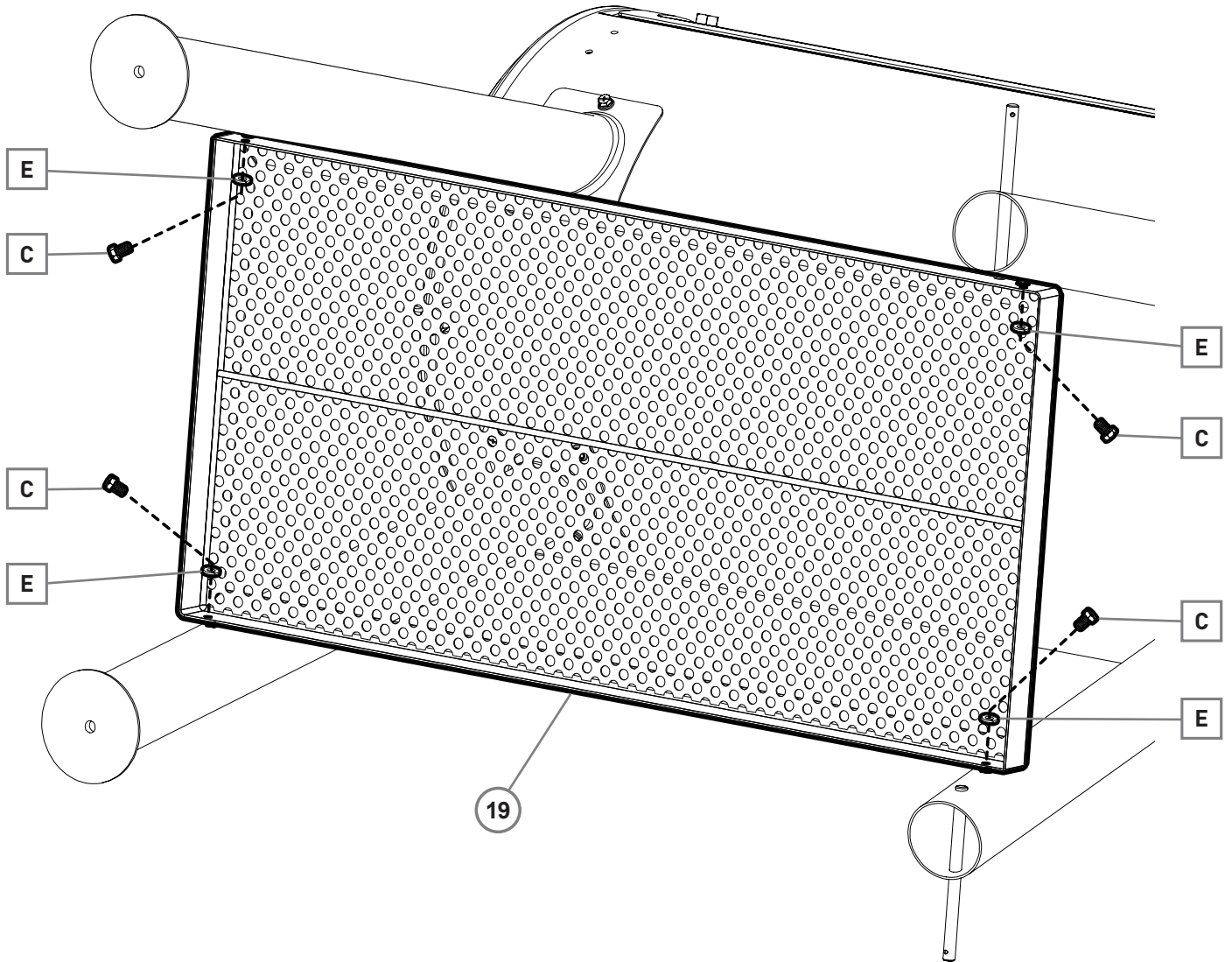
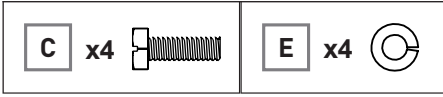
STEP 2

B x6 	E x6 
---	---

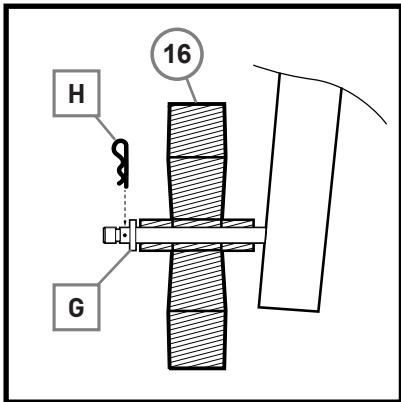
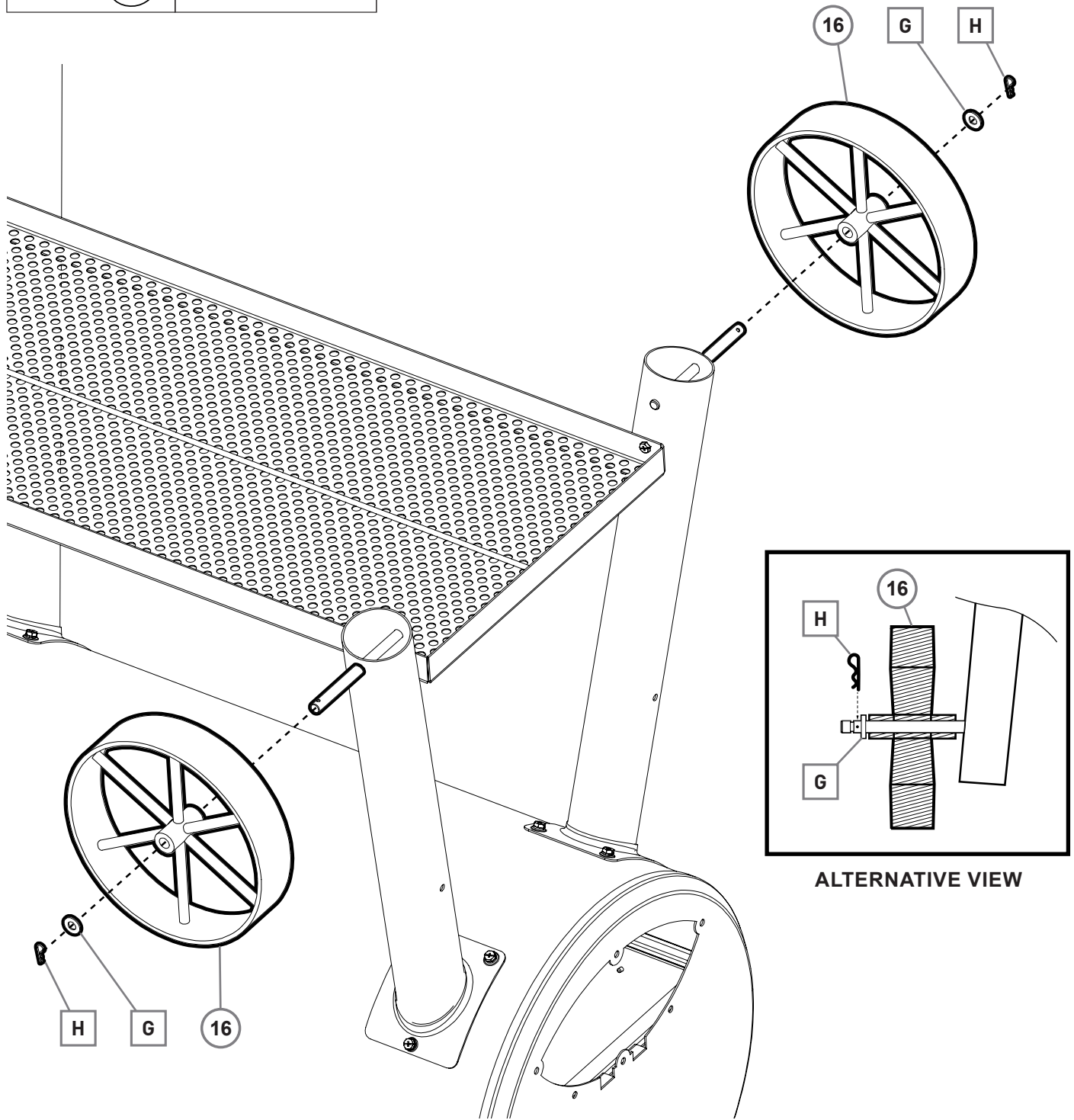




STEP 3



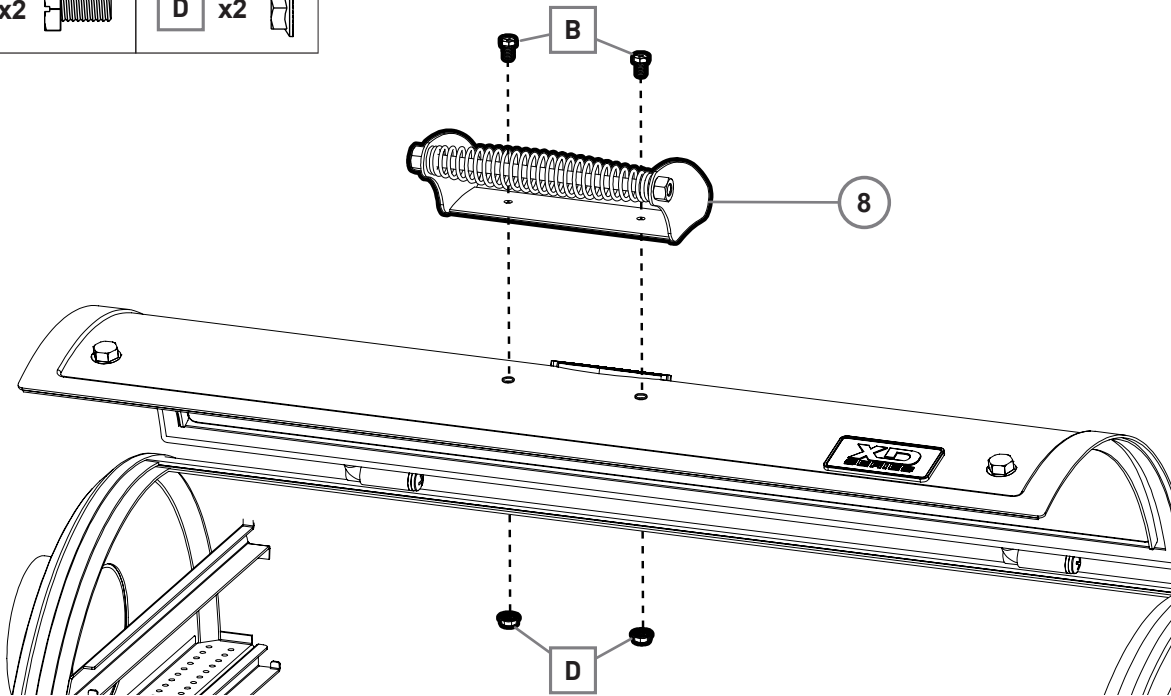
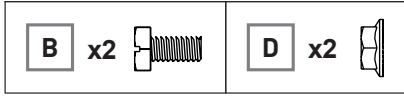
STEP 4



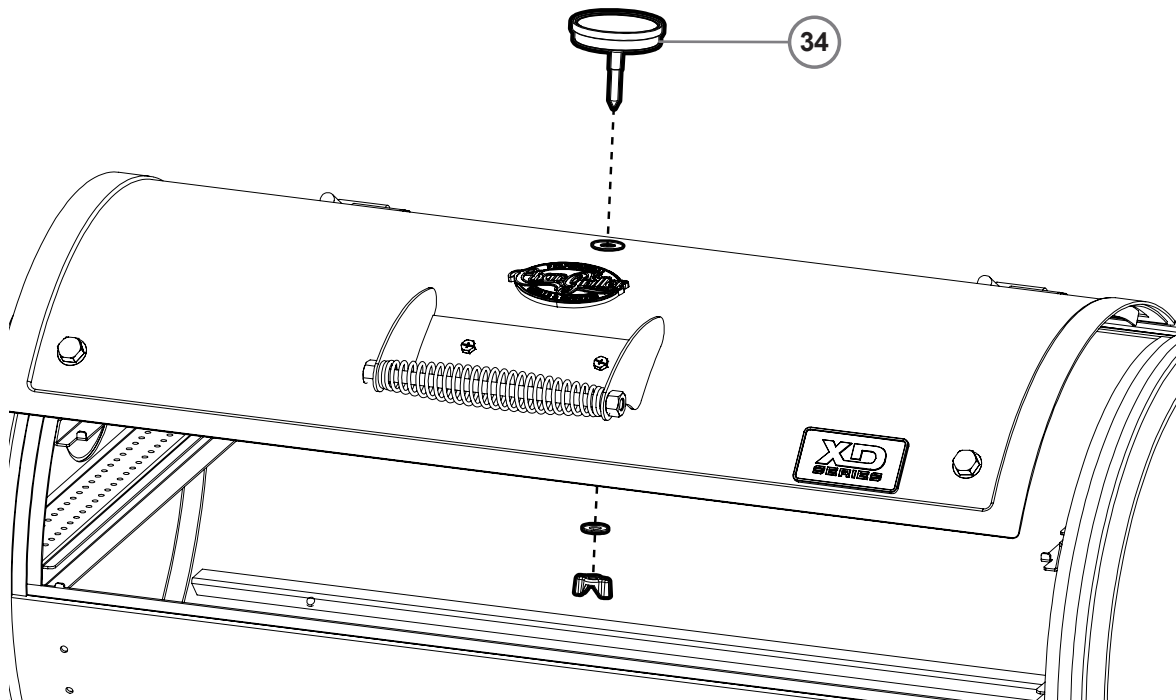
ALTERNATIVE VIEW



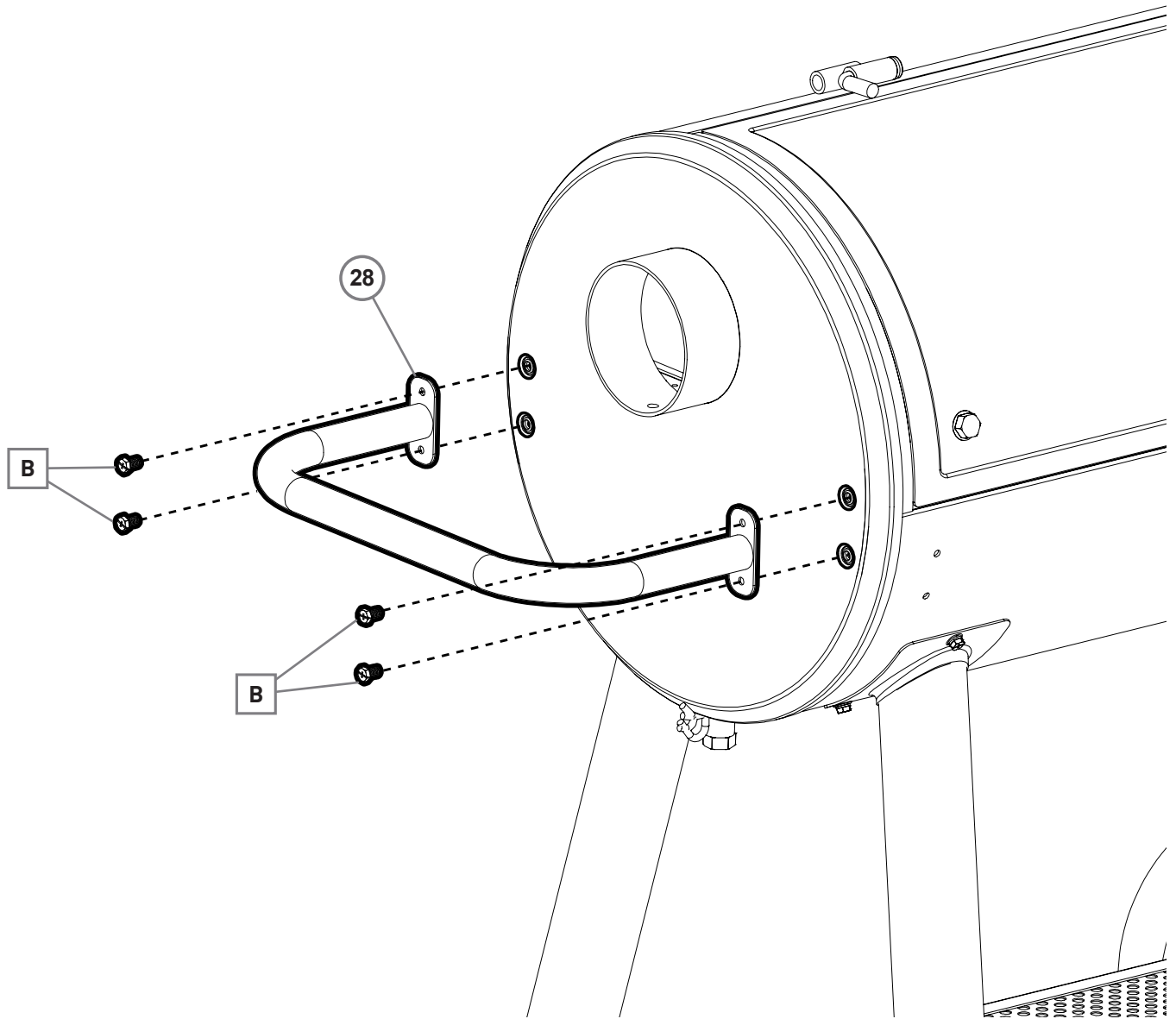
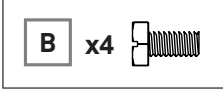
STEP 5



STEP 6

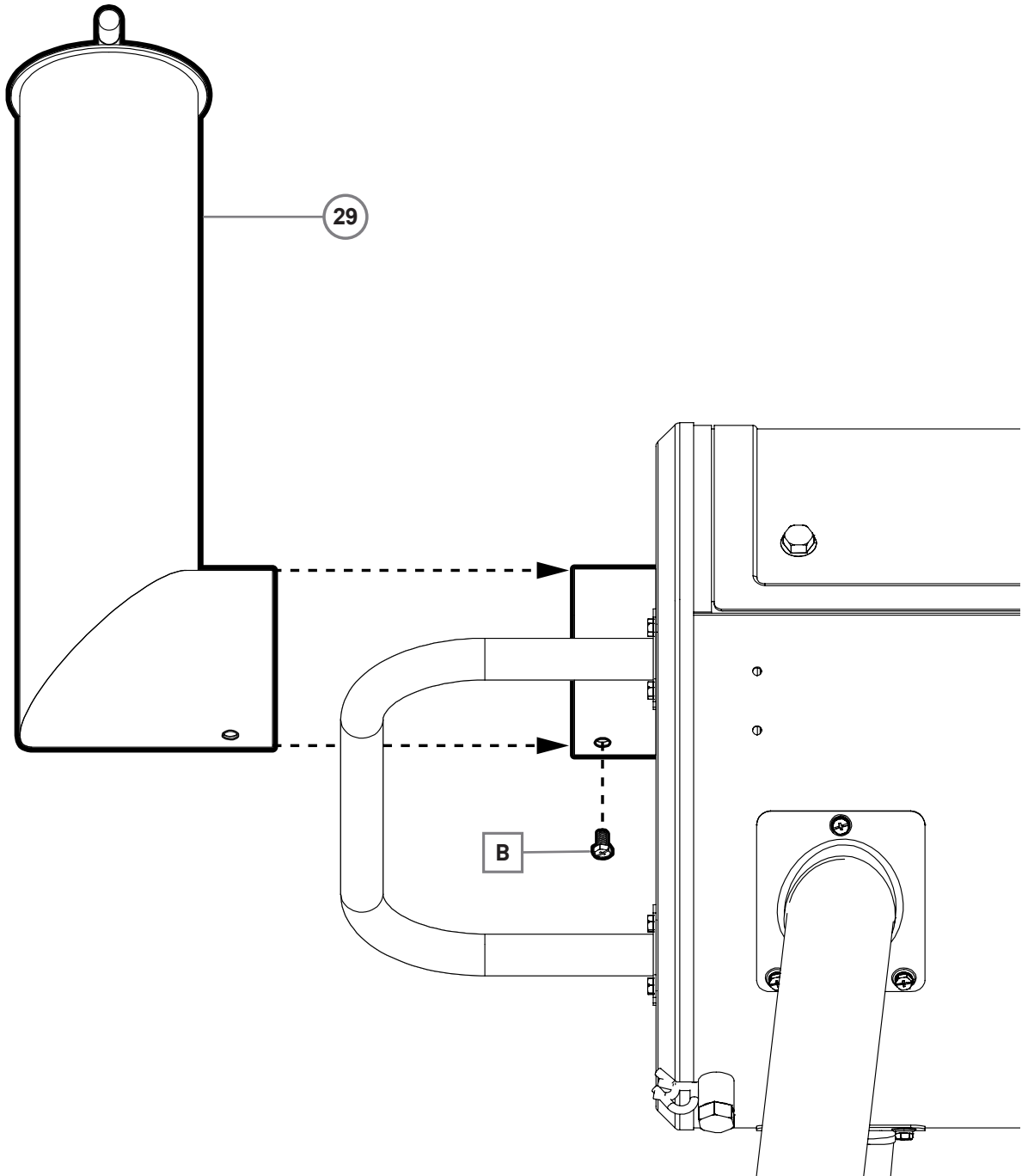
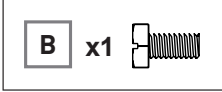


STEP 7

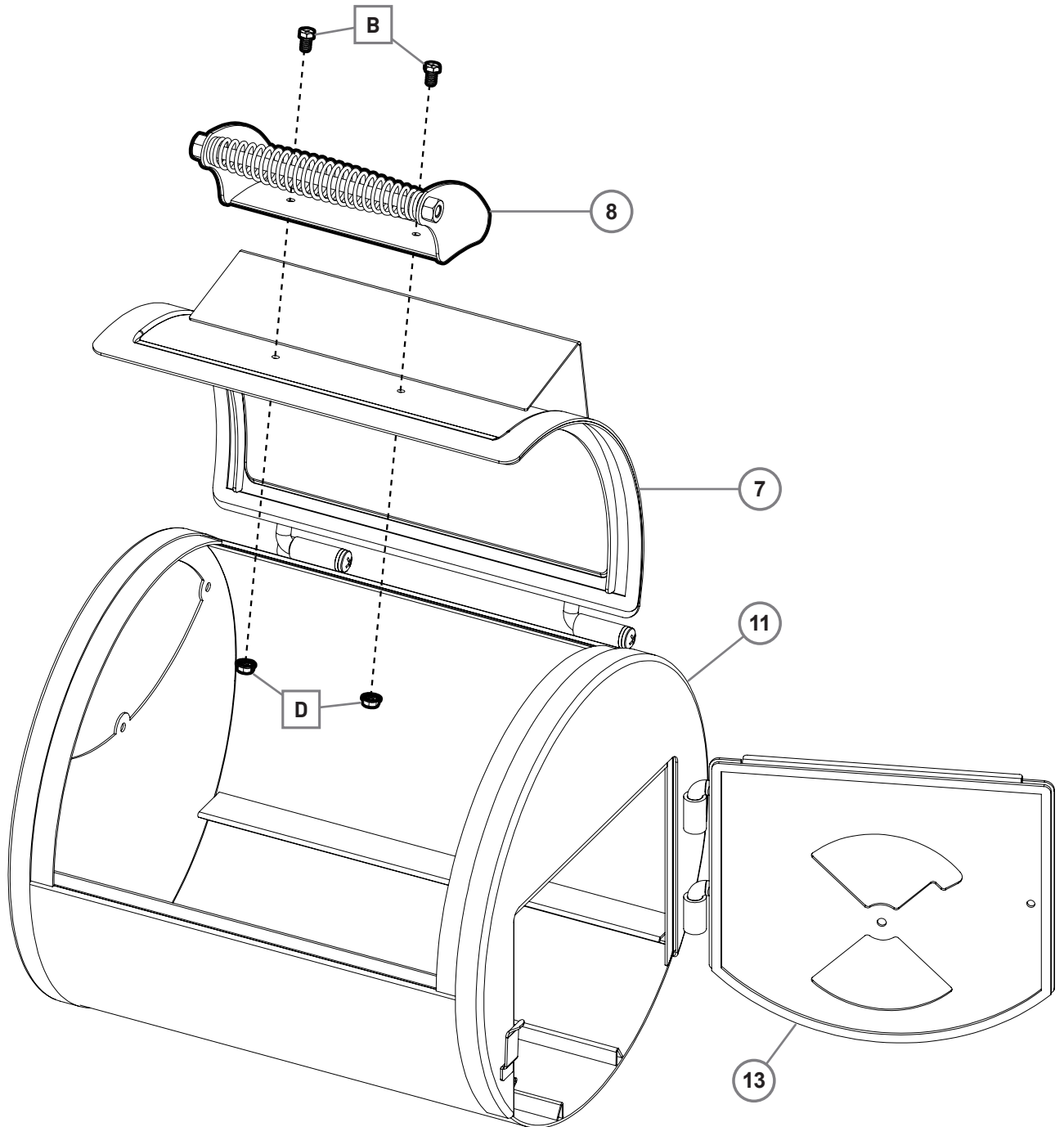
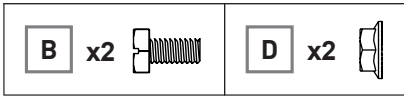




STEP 8

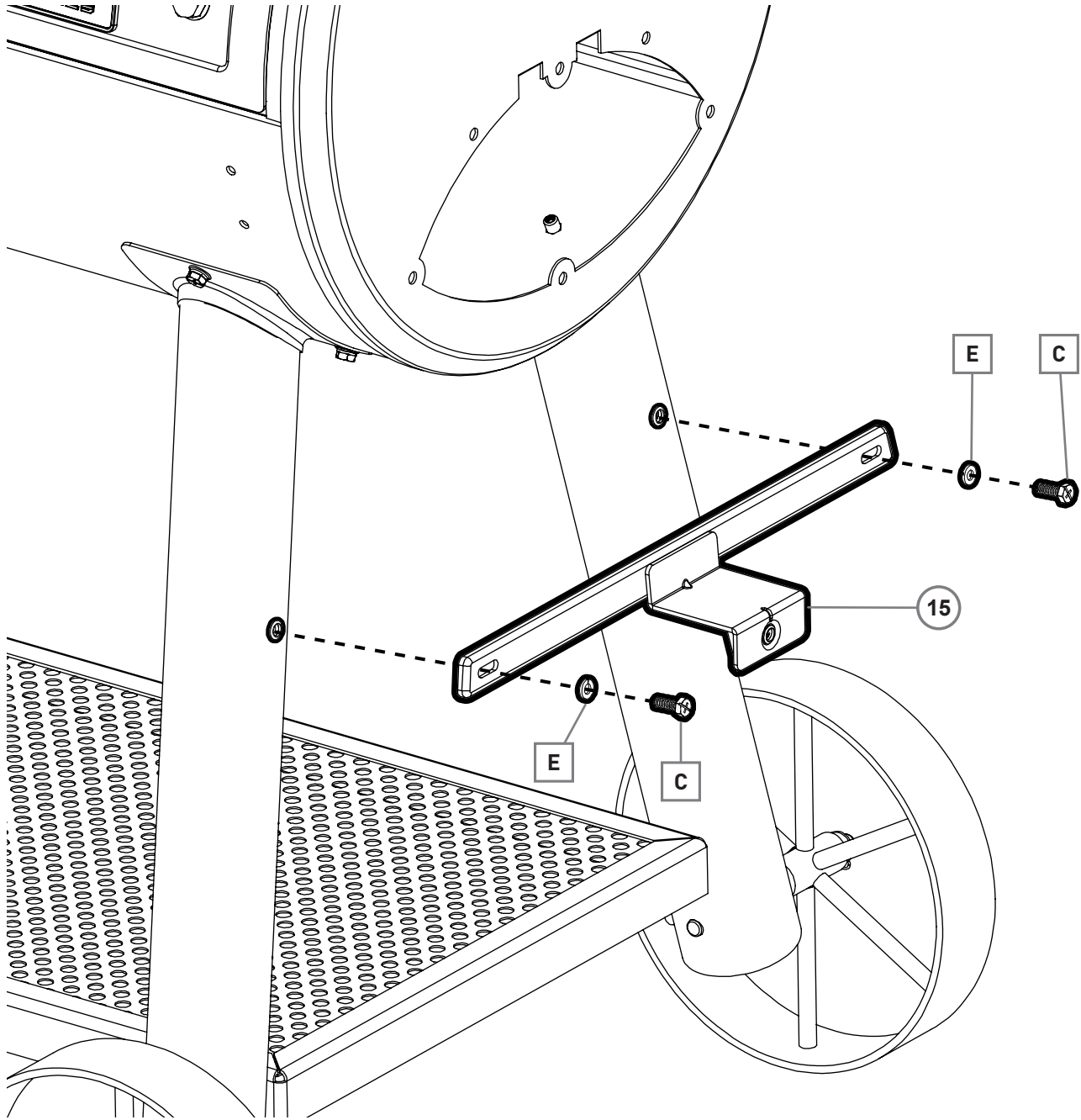
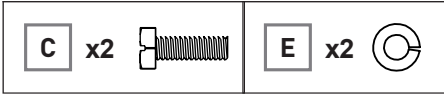


STEP 9







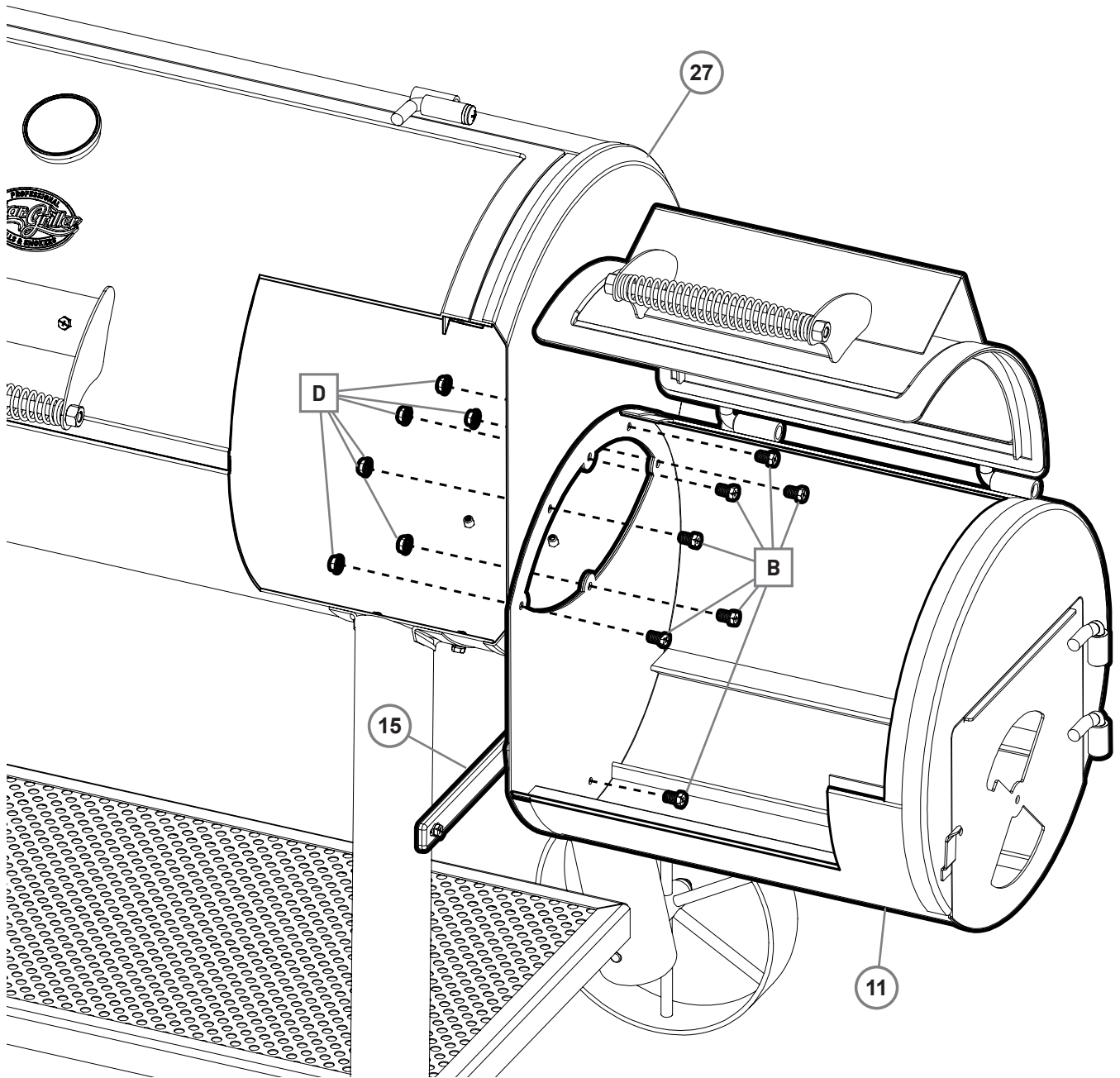
STEP 10



STEP 11

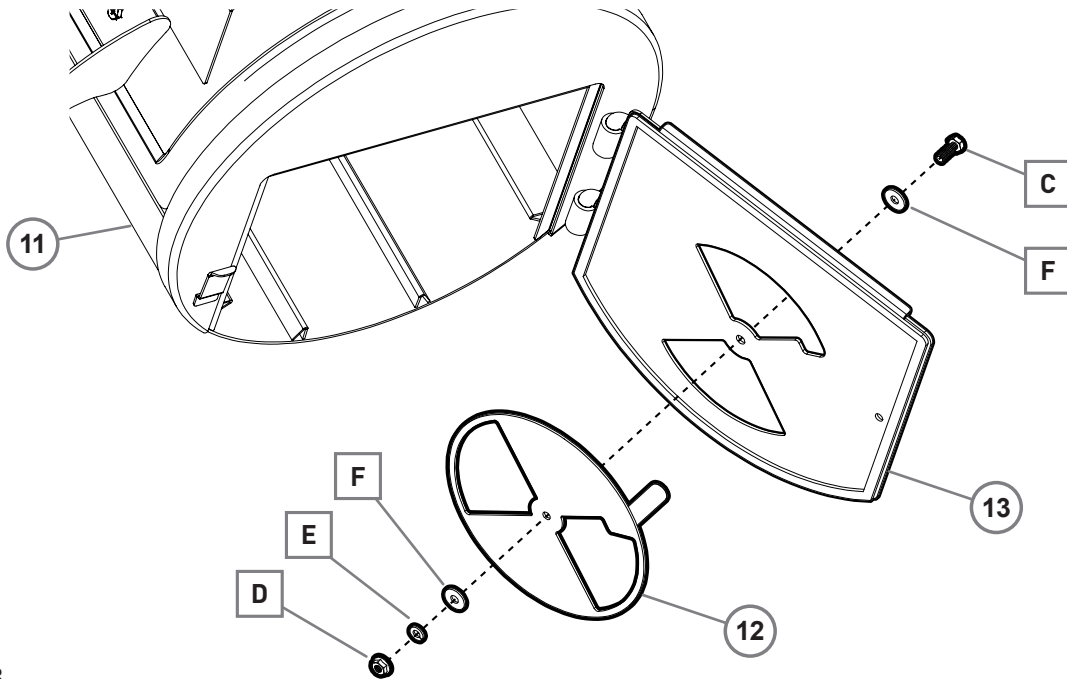
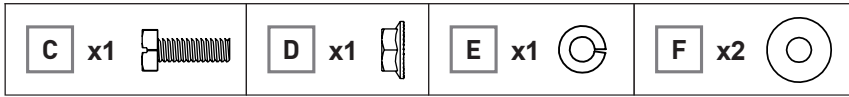
B x7 	D x6 
--	--

INTERIOR VIEW

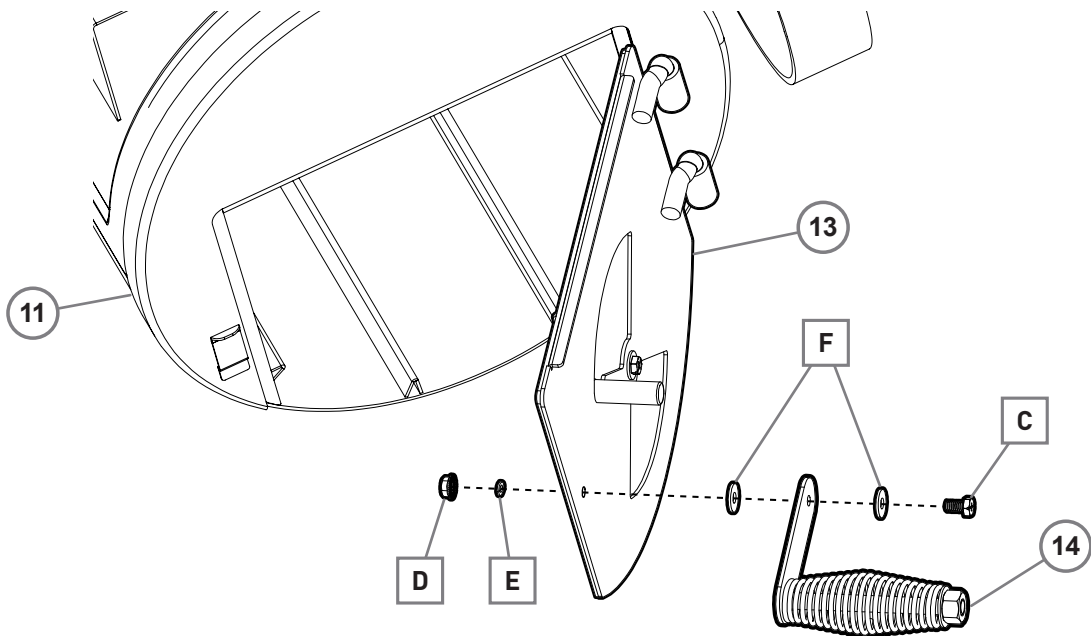
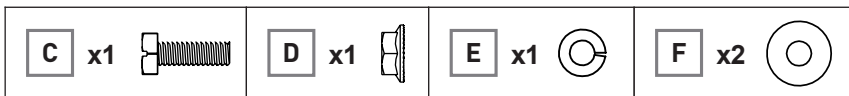




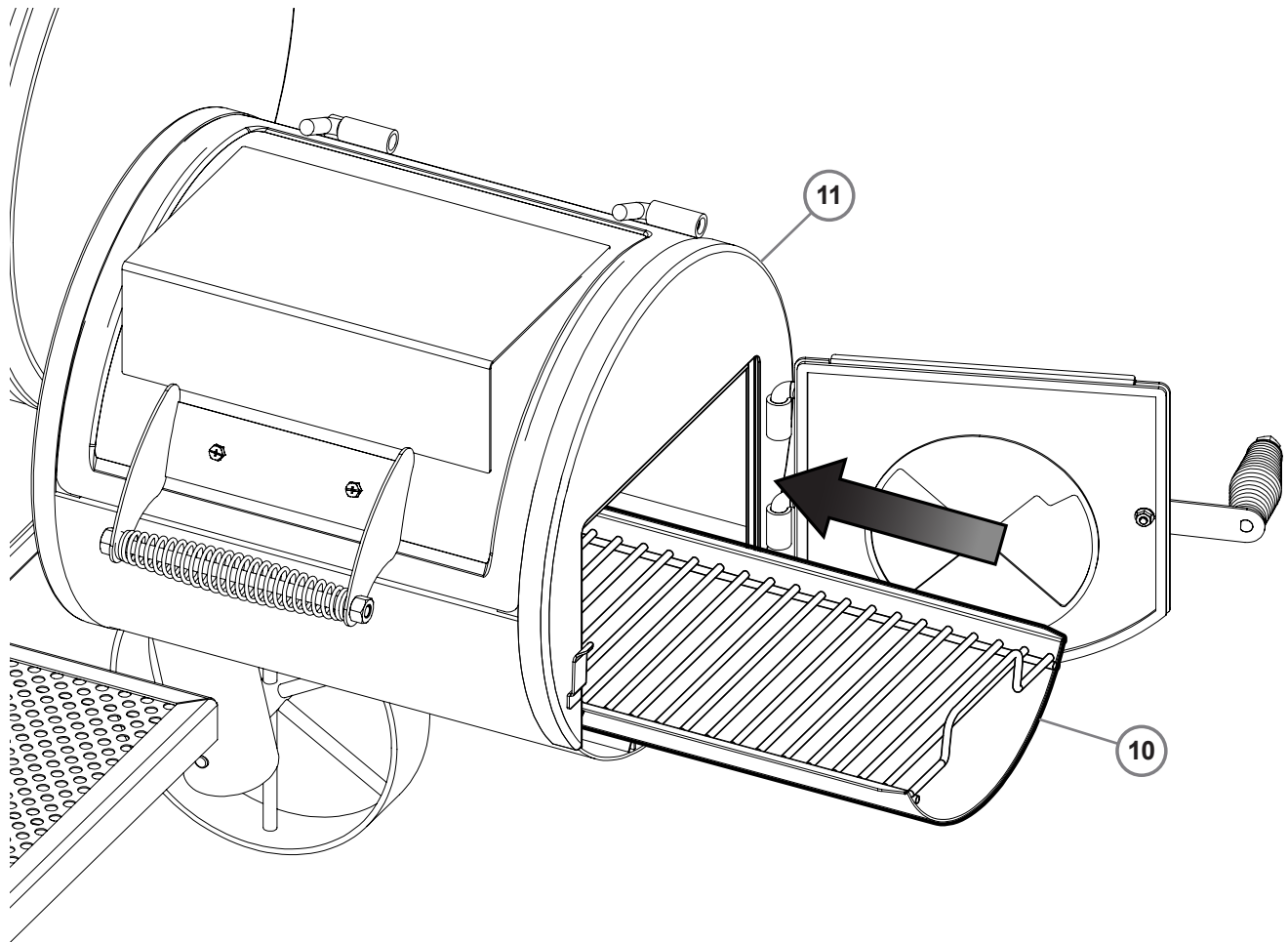
STEP 12A



STEP 12B

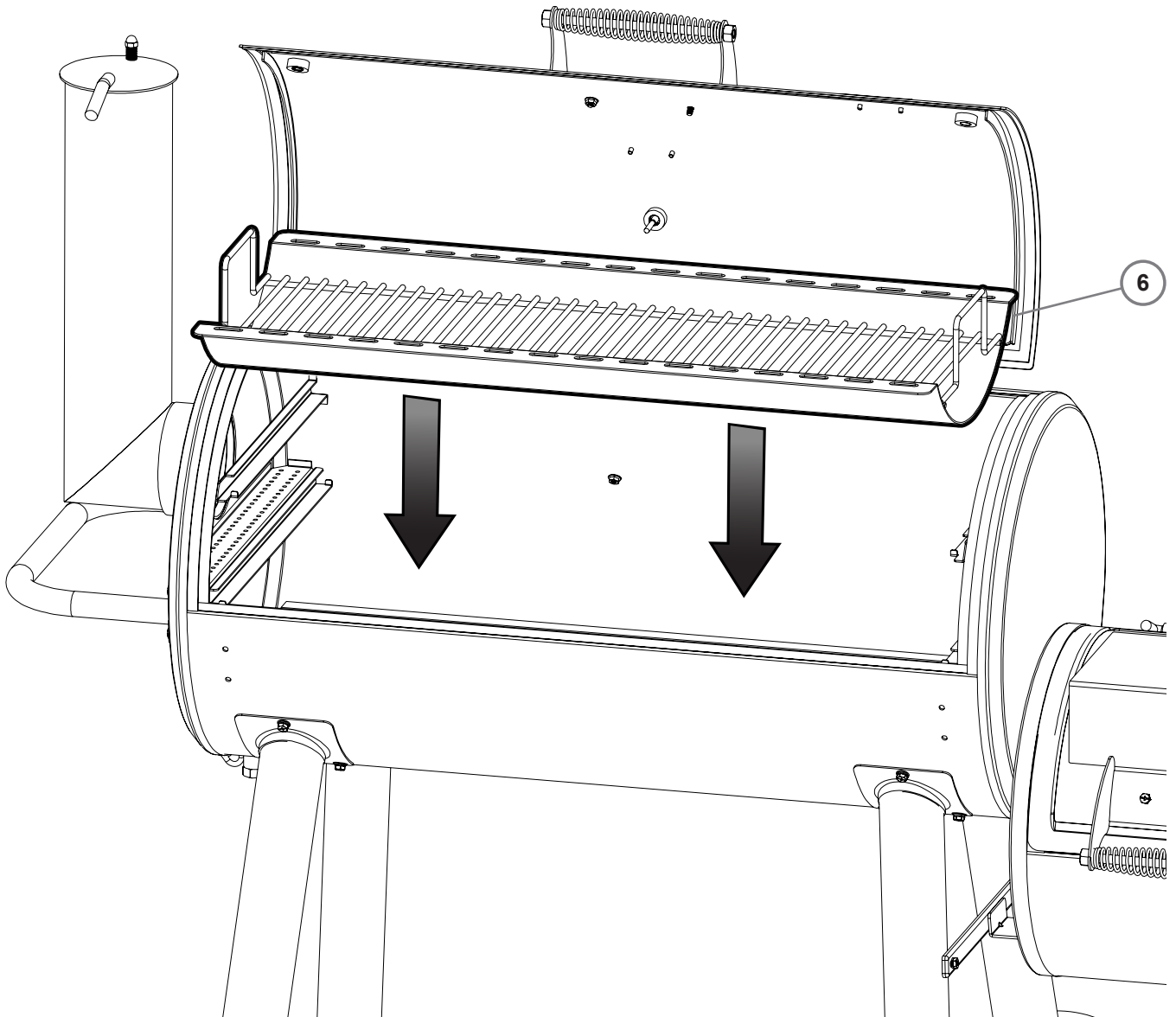


STEP 13

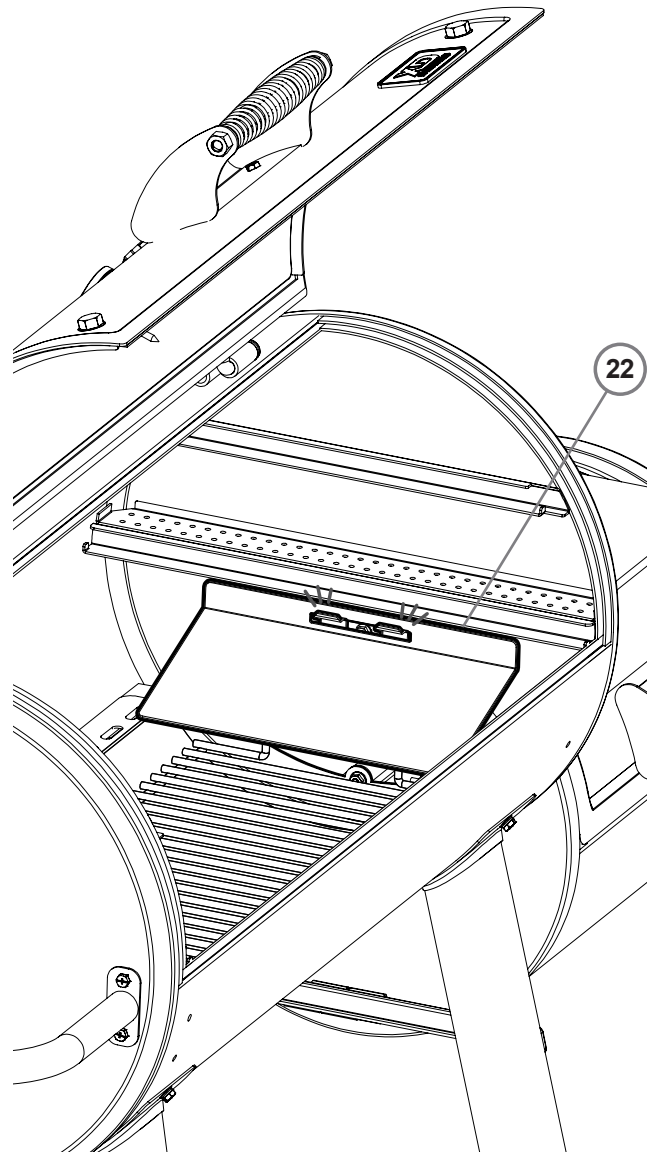
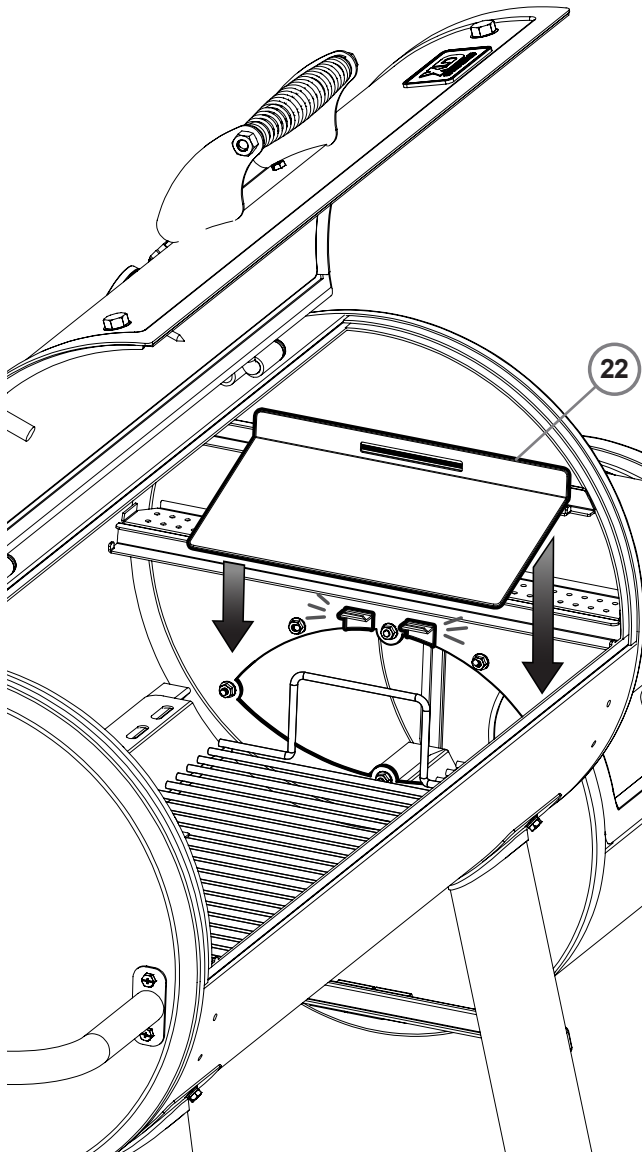




STEP 14

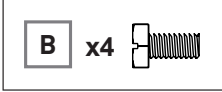


STEP 15

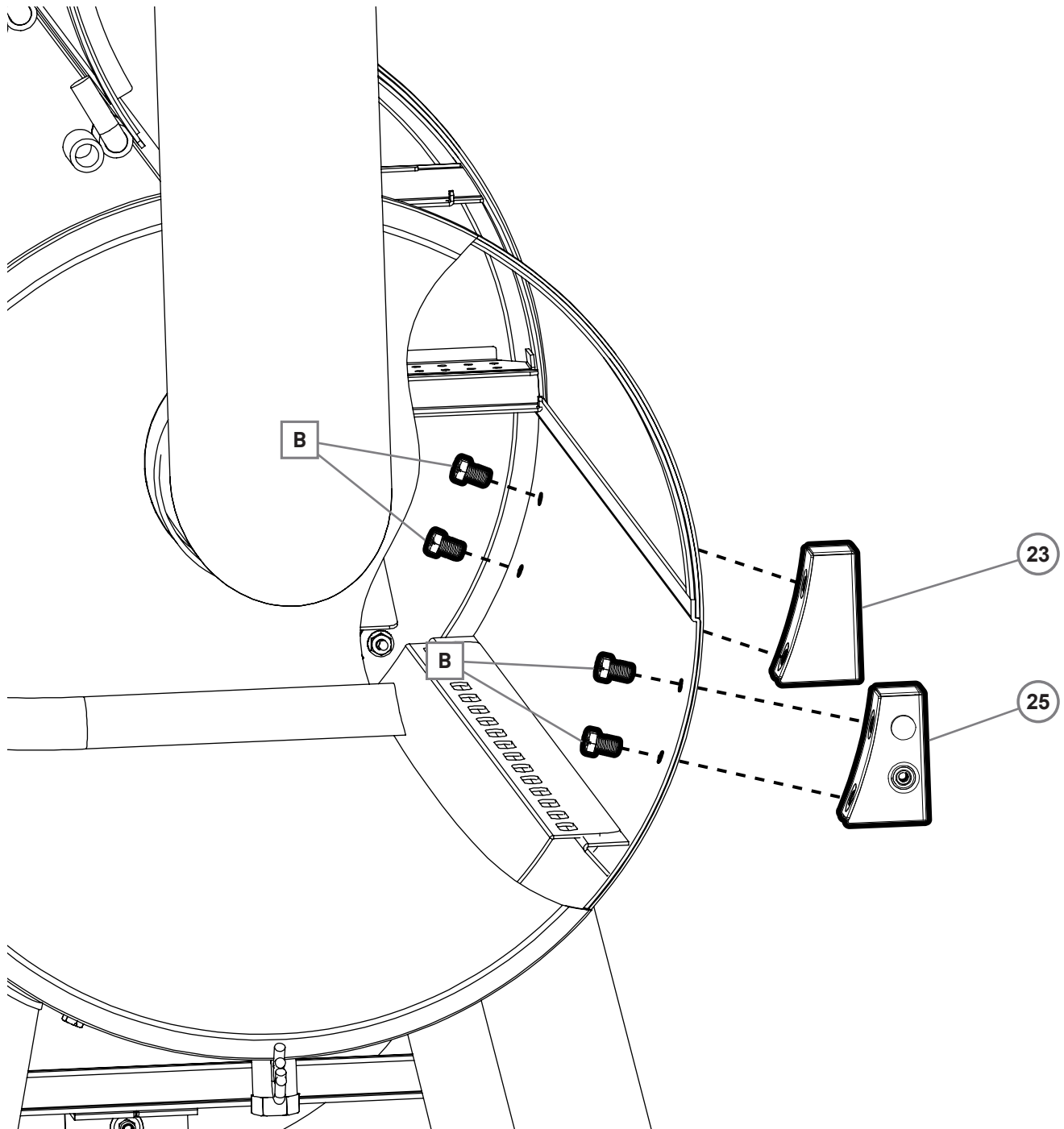




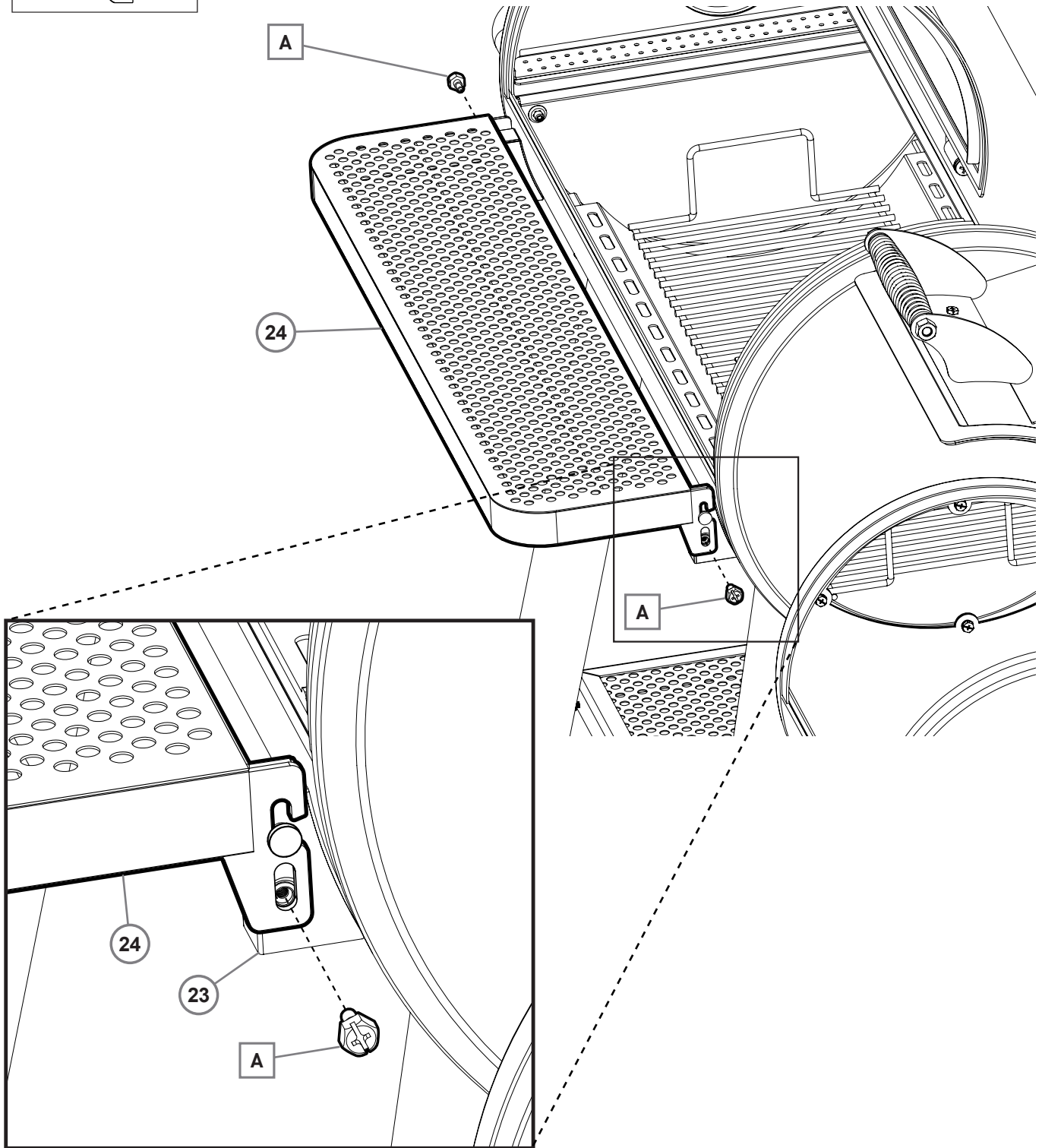
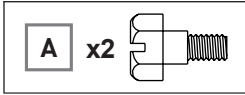
STEP 16



INTERIOR VIEW

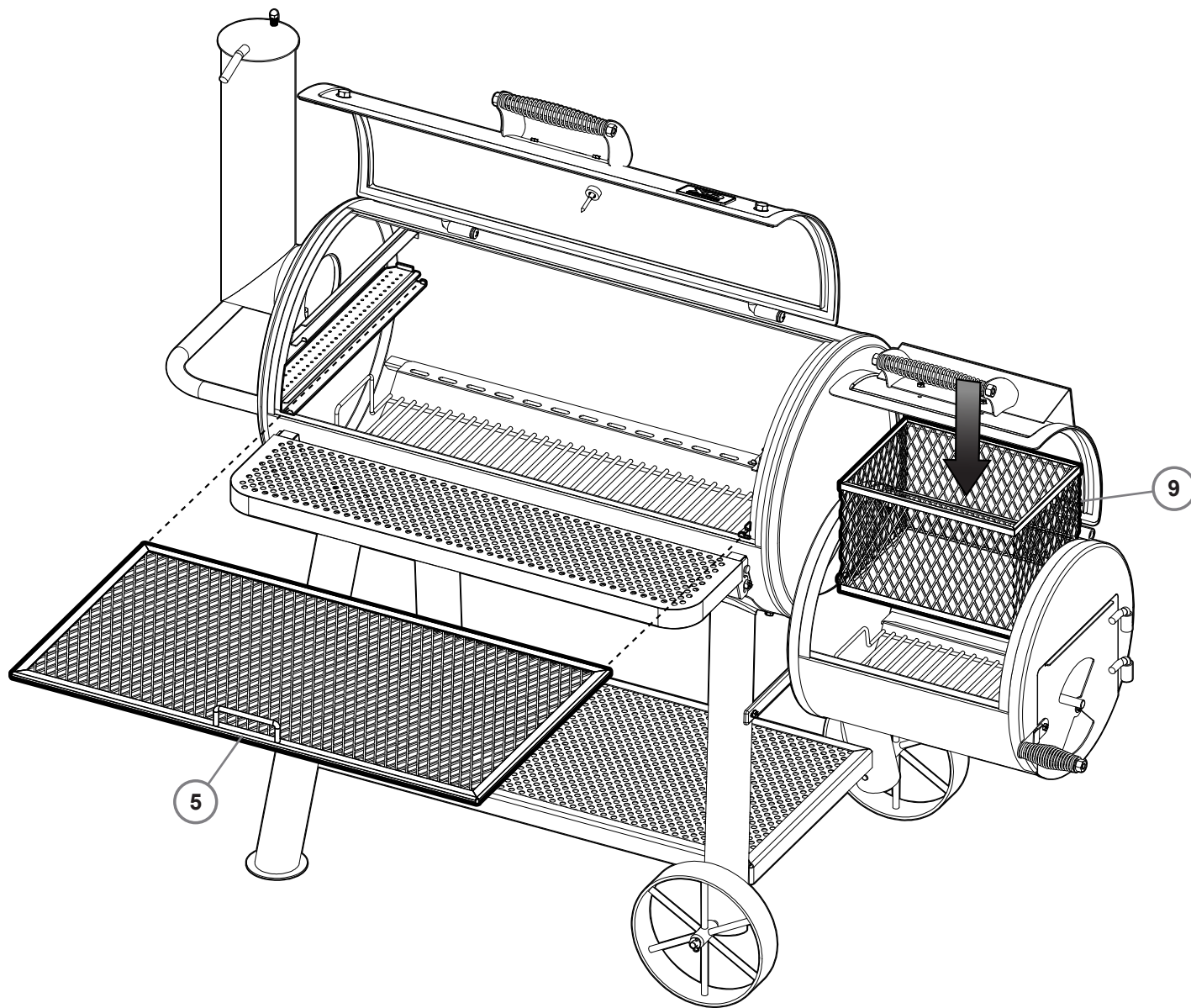


STEP 17

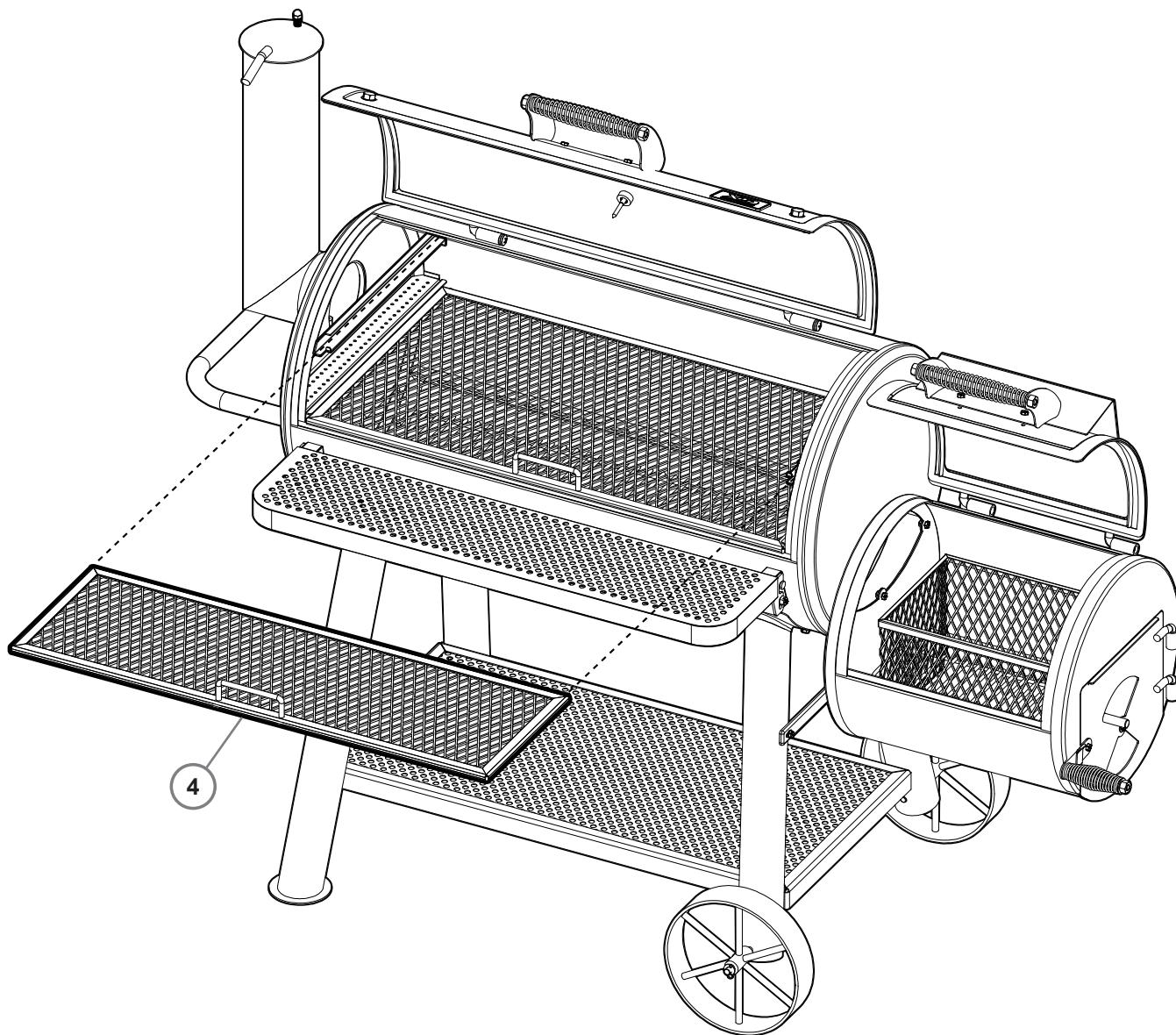




STEP 18

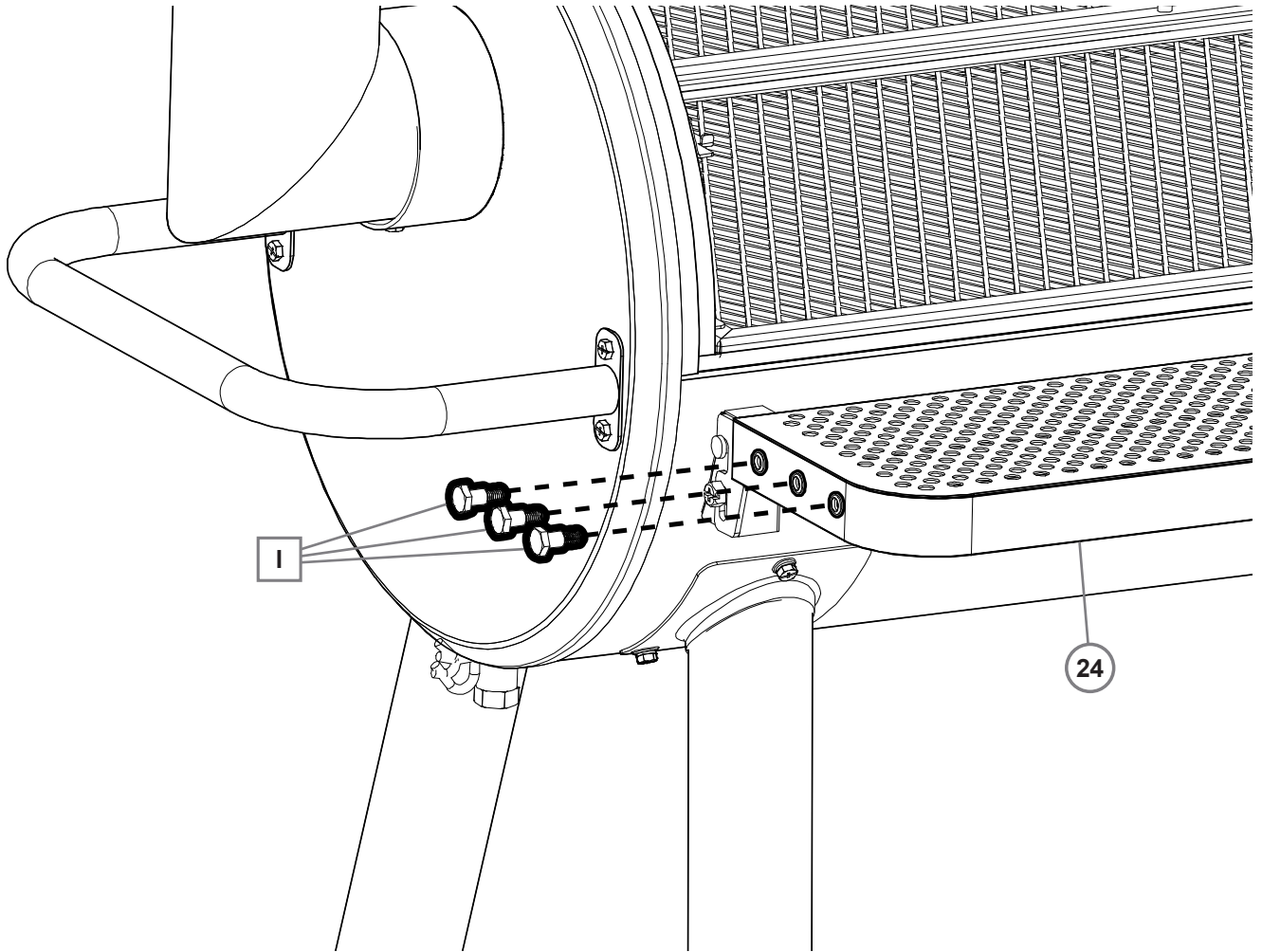
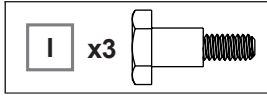


STEP 19





STEP 20



STEP 21

To ensure sturdy assembly, tighten all NUTS and BOLTS.

FULLY ASSEMBLED



OPERATING INSTRUCTIONS

Setting Up

This grill is designed for use outdoors, away from any flammable materials. It is important that there are no overhead obstructions and that there is a minimum distance of 12 feet (~4 meters) from the grill. It is important that the ventilation openings of the grill are not obstructed.

The grill must be used on a level, stable surface. The grill should be protected from direct wind drafts and protected from any trickling water (i.e. rain or water from gutters). Do not move the grill while hot, and do not leave unattended during operation.

NEVER EXCEED **350°F** BECAUSE THIS WILL DAMAGE THE FINISH AND CONTRIBUTE TO RUST. PAINT IS NOT WARRANTED AND WILL REQUIRE TOUCH-UP. THIS UNIT IS NOT WARRANTED AGAINST RUST.





Lighting Instructions

There are a few methods to light your charcoal grill, depending on the materials you prefer to use. Using a charcoal chimney is the Char-Griller® preferred method for speed and convenience but igniting your lump charcoal or briquettes directly in the grill is a great way to get cooking as well.

Charcoal Chimney

1. Remove your grill grates and set them to side
2. Fill your charcoal chimney $\frac{3}{4}$ of the way full with briquettes or lump charcoal
3. Set fire starter on charcoal grate, light and then place the charcoal chimney directly on top of the fire starter
4. Coals will fire upward from bottom to top
5. After coals on top of chimney are ignited (usually 10-15 minutes) dump the coals over the charcoal grate and replace your grill grates



Fire Starters

1. Remove your grill grates and set them to side
2. Pour approximately 3lbs (approx. 50-60 briquettes) of charcoal directly on to your charcoal grate and stack together in a pile
3. Insert fire starter into the middle of the charcoal pile so that it is slightly covered and light
4. After the charcoal has thoroughly ignited, typically glowing red or gray in color, use tongs to spread them out and replace your grill grates



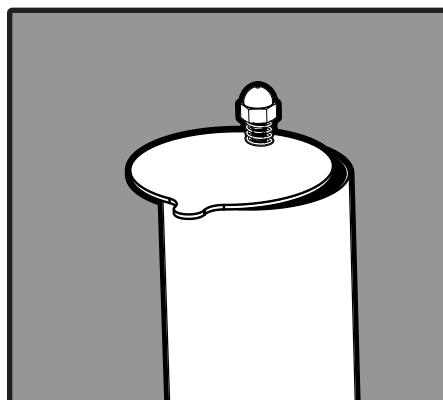
NOTE:

- Do not use lighter fluid, gasoline, kerosene, alcohol or other accelerant for lighting charcoal due to flammability, risk of bodily injury and potential to leave a distasteful flavor in your food.
- If necessary, use tongs to move coals for even heat.
- Always wear gloves when handling grill grates, charcoal grate, or adjusting coals.

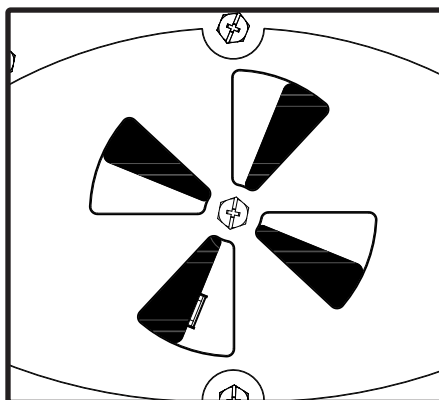
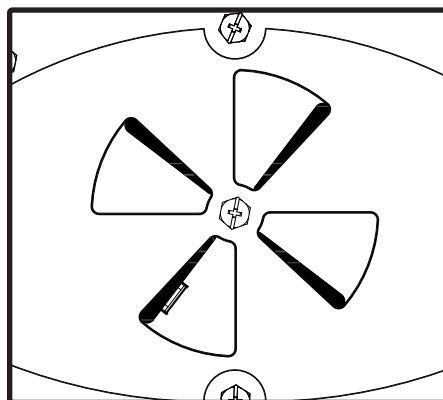
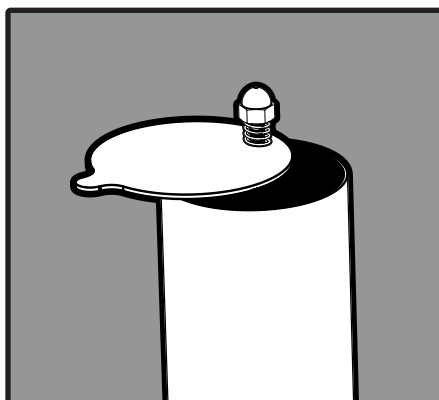
Controlling Temperature

Controlling the temperature of your grill is all about controlling the air flow to the fire. MORE AIR = MORE HEAT. LESS AIR = LESS HEAT. By opening and closing the top and side dampers, you can easily control the temperature of your grill. The amount of charcoal used when grilling can also greatly impact your ability to control temperature. Dampers may need to be adjusted during the cook to account for changes in weather like wind or to accommodate for more or less fuel. When first learning how to operate your grill, always use the same amount of charcoal to best learn your grill's damper control.

SMOKE 150°-250°F



GRILL 300°-350°F



- Start with dampers 1/4 or less of the way open and adjust as needed during cook
- For best results, start with up to 2 lbs. of charcoal (30-40 Briquettes) and/or wood fuel
- Adjust the charcoal grate to its lowest setting or farthest from the cooking grates
- Control airflow as needed, by adjusting dampers from 1/3-2/3 of the way open
- For best results, start with up to 2 lbs. of charcoal (30-40 Briquettes)
- Place coals on one half of the charcoal grate - adjust charcoal grate level to the middle



Seasoning Your Grill

Seasoning is an important first step before you start cooking on your new grill. This process will help protect the interior and exterior grill finish, reduce food sticking to the grates, reduce unnatural flavors, and help prevent the grates from rusting. Char-Griller® recommends using flaxseed oil for seasoning your grill but most food grade oils (canola, grapeseed, vegetable, safflower, etc) will work as well.



STEP 1 LIGHTLY COAT WITH OIL

1. Char-Griller® grills come pre-coated with vegetable oil. If this is the first time seasoning your grill, move on to **Step 2**
2. If re-seasoning your grill, lightly coat ALL interior surfaces (including grates and inside of barrel) of your grill with flaxseed or other vegetable oil



STEP 2 HEAT UP GRILL

1. Following the instructions for lighting your charcoal (page C-2) and controlling the temperature (page C-6), bring your grill to approximately 350°F
2. Once at temperature, allow grill surfaces to season for 20 minutes



STEP 3 RE-APPLY OIL TO GRATES 5X

1. After 20 minutes, open your grill and carefully remove your grill grates with a grate lifter
2. Using a brush, re-coat both sides of your grates with flaxseed or other vegetable oil and return to your grill
3. Close lid and allow surfaces to season for 20 minutes
4. Repeat this process up to five times (Add more charcoal to maintain temperature as needed)
5. Your grill is now ready for use

NOTE:

- You can lightly coat the exterior of the grill body (while warm) with vegetable oil. This will extend the life of the finish, much like waxing a car.

Grilling Styles

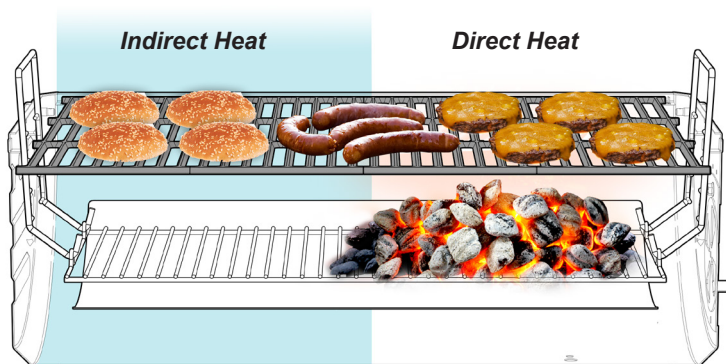
Your Char-Griller® grill can be used to smoke, grill or sear your food. By using temperature zones, charcoal and wood flavor, you can customize your culinary experience as desired. The following descriptions provide four of the most common ways you can cook with your Char-Griller® charcoal grill.

Grill

Cook with direct and indirect heat at medium temperatures (300°-350°F). Utilize a two zone set up to cook at different speeds and temperatures.

1. Set charcoal grate to medium setting (halfway between grill grates and grill body) using adjustable charcoal tray hangers
2. Prepare up to 2 lbs (approximately 30-40 briquettes) of lit charcoal spread evenly across HALF the charcoal grate creating 2 Cooking Zones.
3. Once the grill is at the desired temperature, you may begin to cook. First place food over direct heat, cooking each side as desired. After initially cooking over direct heat, move to the cool zone (see picture at right) to bring your food to the desired internal temperature.

GRILL (Direct Heat) - 300°-350°F
Up to 2 lbs. Charcoal (30-40 Briquettes)
Charcoal Grate adjusted to medium setting



4. NOTE: Wood chips, chunks or split logs may be used in addition to charcoal to add smoke flavor as desired.



Smoke

Cook with indirect heat at low temperatures (150°-250° F). Use wood chips, chunks, split lo or pellets to add smoke flavor

1. Set charcoal grate to low setting (farthest from grill grates) using adjustable charcoal tray hangers
2. Prepare up to 2 lbs (approximately 30-40 briquettes) of charcoal spread evenly across HALF the charcoal grate creating two cooking zones
3. Add wood chips, chunks, or split logs as desired to add smoke flavor
4. Once the grill is to desired temperature, you may begin to cook
5. Keep food over cool side of grill to cook with indirect heat over the duration of the cook

SMOKE (INDIRECT HEAT) -

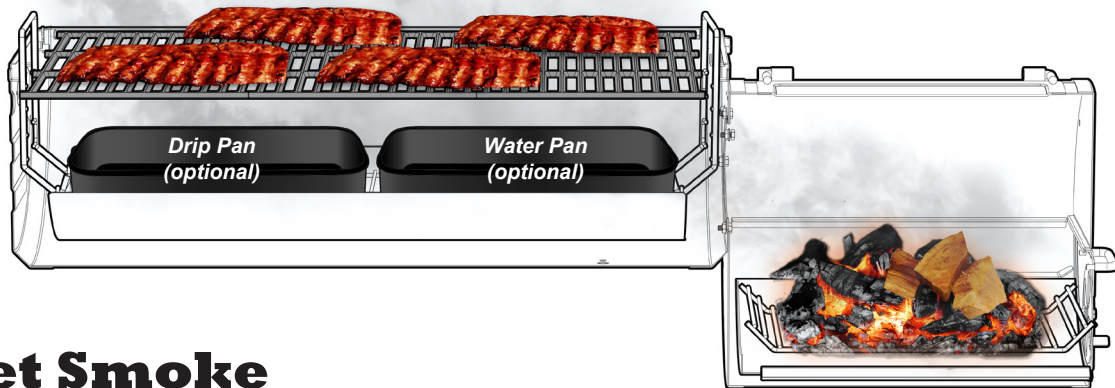
Up to 2 lbs. Charcoal (30-40 Briquettes)
Charcoal Grate adjusted to lowest setting or farthest from the cooking grates



6. NOTE: Opening the smoking chamber will extend cooking time.

OFFSET SMOKE (INDIRECT HEAT) - 150-250° F

Up to 2 lbs. Charcoal (30-40 Briquettes)
and or wood fuel in the side fire box



Offset Smoke

Cook with indirect heat from the side fire box at low temperatures (150°-250° F). Use split wood logs, chips, chunks, or pellets to add smoke flavor

1. Prepare up to 2 lbs (approximately 30-40 briquettes) of charcoal in the side fire box
2. Add wood chips, chunks, split logs or pellets as desired to add smoke flavor
3. Once the grill is at the desired temperature, begin to cook
4. Food placed closer to the side fire box will cook faster than food placed on the opposite side of the grill
5. NOTE: Opening the smoking chamber will extend cooking time.

Care & Maintenance

In order to keep your grill in the best shape, it's important to keep it clean and maintained. Continued cleaning and care are key to ensuring a long life for your Char-Griller® grill. Have questions? Call, email or chat online with Char-Griller® Customer Service!

FINISH UP



- When you are finished grilling, clean your grates with the Char-Griller® Grate Scrape and then lightly coat your grates with flaxseed or other vegetable oil
- Next close both dampers and the hood allowing the fire to suffocate
- Wait until coals and ash have completely cooled before attempting to clean up or remove

CLEAN UP



- Wait until the fire is completely extinguished and the grill is cool to the touch before emptying the ashes
- Remove grates from grill with grate lifter
- Remove ash pan from grill
- Give the ash pan a few firm taps to loosen any ash that may be stuck
- Dump the ashes in a metal container and cover with water to ensure there are no lit coals, then you can dispose of the ashes

COVER UP



- Extend the life of your grill by using a Char-Griller® custom fit grill cover to protect it from the elements
- Weather resistant polyester material protects against birds, dust, wind, rain and snow

**** ONLY EMPTY ASHES WHILE GRILL IS NOT IN USE AND COOL TO TOUCH ****

IMPORTANT: Charcoal is porous and holds moisture. DO NOT leave charcoal in your grill while you are not using it. Charcoal and ashes left inside the ash pan may reduce the life of your grill.



General Grilling Tips & Warnings

Control heat with amount and type of fuel, dual dampers, and adjustable fire grate. Adjust fire grate one end at a time. Wood burns hotter than charcoal. More airflow helps generate more heat.

Additional charcoal and/or smoking woods may be added while cook is in progress. Wear gloves and apron when operating your grill.

Only use natural hardwoods intend for cooking. Appropriate selections can typically be found in grocery stores and outdoor grilling retailers.

When utilizing a water pan, check the water level when cooking more than 4 hours or when you can't hear the water simmering. Add water by moving meat over and pouring water through cooking grates into water pan.

To reduce flare-ups, cook with hood in the down position.

When cooking with charcoal, leave the grill hood open during the initial start up and until coals ash over. The grill hood must remain open anytime the temperature gauge is greater than 350°F.

Always put charcoal on top of the charcoal grate and not directly into the bottom of the grill.

Do not use self-starting charcoal as it will give food an unnatural flavor.

Ashes left in grill too long between uses will absorb moisture and will cause rust. Be sure to empty ash after grill has cooled. Uncoated steel and cast-iron will rust when not properly cared for.

On the EXTERIOR PAINT, remove rust with wire brush and touch up with a high heat paint, available at most hardware/auto stores. Rustoleum® #241169 is the best color match.

Heat gauge may retain moisture, which will steam out during cooking. Gauge can be removed and calibrated in oven.

For a more tightly sealed grill, fill unwanted holes with nuts and bolts (not included).

Attach a metal can to the grease cup holder or on bottom shelf under the hole in the grill to catch drippings.

Smokestack and side dampers will be hot. Only touch using gloves or mitts.

Before you use your grill for the first time you must season the cast iron cooking grates.

After each use, coat the interior grates and bare metal with vegetable oil while warm to reduce the chance of rust. Proper and regular seasoning will protect against rust and extend the life of your grill and cooking grates.

Grill will drip oil during the seasoning process and for several uses afterwards, this is normal.

Never exceed 350°F because this will damage the finish and contribute to rust.

Paint is not warranted and will require touch up.

This grill is not warranted against rust.







DO NOT use lighter fluid, gasoline, kerosene, alcohol or other accelerant for lighting charcoal. Use of any of these or similar products could cause an explosion possibly leading to severe bodily injury.

NOTE: Smoke may escape from areas other than the smokestack. This will not affect cooking

CHAR-GRILLER® DOES NOT ACCEPT RETURNS ON USED GRILLS.

Cooking Guidelines

HEAT KEY

	DIRECT HEAT
	INDIRECT HEAT
	SMOKE
	LOW HEAT 150°-250°F
	MEDIUM HEAT 300°-450°F
	HIGH HEAT 450°-550°F+

USDA SAFE MINIMAL INTERNAL TEMPS

FISH & SHELLFISH:
145°F

BEEF OR PORK STEAKS
OR CHOPS: **145°F**












GROUND BEEF OR PORK:
160°F










CHICKEN:
165°F










Cook times outlined in this chart are general guidelines that may vary depending on desired doneness, thickness, amount of each item being cooked, grill or grilling style, ambient temperature and/or weather. Char-Griller® recommends always using a cooking thermometer to gauge the internal temperature of all meat products. Please refer to Owner's Manual to ensure none of these recommendations conflict with Char-Griller's® product operational instructions on pg. A-1.












FIND MORE RECIPES AT
CHARGRILLER.COM

 BEEF	HEAT TYPE	HEAT LEVEL	AVG. COOKING TIME
SKIRT STEAK, MEDIUM 1-INCH THICK			4-6 MIN.
HOT DOG 4 OUNCES			5-7 MIN.
STEAK, MEDIUM 1-INCH THICK - FILET MIGNON, RIBEYE, NEW YORK STRIP & PORTERHOUSE			6-8 MIN.
BURGER 3/4 - INCH THICK			8-10 MIN.
HANGER STEAK, MEDIUM 1-INCH THICK			8-10 MIN.

 PORK	HEAT TYPE	HEAT LEVEL	AVG. COOKING TIME
PORK CHOP, MEDIUM 1-INCH THICK			8-10 MIN.
SAUSAGE 3-OUNCE LINK			10-13 MIN.
PORK TENDERLOIN 1 POUND			15-20 MIN.
PORK SHOULDER/BUTT 8 POUNDS			12 HOURS <small>APPROX. 90 MIN / LB.</small>

 CHICKEN	HEAT TYPE	HEAT LEVEL	AVG. COOKING TIME
CHICKEN BREAST OR THIGH 4 OUNCES - BONELESS, SKINLESS			8-12 MIN.
CHICKEN THIGH OR LEG 3-6 OUNCES - BONE-IN*			35-45 MIN.
CHICKEN BREAST 10-12 OUNCES - BONE-IN*			35-45 MIN.
WHOLE CHICKEN* 8 POUNDS			3-5 HOURS

*BONE-IN CHICKEN SHOULD INITIALLY BE COOKED OR "BROWNE" OVER DIRECT HEAT FOR SEVERAL MINUTES BEFORE BEING TRANSFERRED TO INDIRECT HEAT.






 SEAFOOD	HEAT TYPE	HEAT LEVEL	AVG. COOKING TIME
SHRIMP LARGE			4-6 MIN.
SCALLOP 1 1/2 OUNCES			4-6 MIN.
FISH, FILET 1-INCH THICK			5-10 MIN.
FISH, WHOLE 1 POUND			15-20 MIN.



ENHANCE FLAVOR

Wood Pairing Guide

Different wood varieties possess different flavors and Char-Griller® recommends pairing your woods with the meats you intend to cook.

WOOD	FLAVOR	 BEEF	 PORK	 POULTRY	 SEAFOOD	 VEGGIES
ALDER	MILD			✓	✓	
MAPLE	MILD			✓		✓
CHERRY	MILD		✓	✓	✓	
APPLE	MEDIUM	✓	✓	✓	✓	
PECAN	MEDIUM	✓	✓	✓	✓	✓
OAK	MEDIUM	✓	✓	✓	✓	✓
HICKORY	STRONG	✓	✓			
MESQUITE	STRONG	✓	✓			

GRILLING RECIPES

- Cooking with a MEAT THERMOMETER ensures food is fully cooked. Insert thermometer into the thickest part of the meat, not touching bone, and allow 1 to 1 1/2 minutes to register temperature.
- USDA Safe Minimal Temperature is 165°F for chicken / poultry.
- USDA Safe Minimal Temperature is 145°F for Beef, Pork, Veal & Lamb (Steaks, chops, roasts).

Direct Heat Recipes

GRILLED FLANK STEAK WITH VEGETABLES

A vastly under-appreciated meat, the flank steak can be a flavorful and fast meal for the weeknights. Get dinner on the table in under 20 minutes and use a charcoal grill to get all the best flavors of summer with this flank steak recipe.

Ingredients:

- 1.5 Pound Flank Steak
- 1.5 tsp of Smoked Paprika
- 2 Garlic Cloves, Minced
- Salt and Pepper to Taste
- 4 Ears of Corn
- 2 Large Zucchini, Cut in Half Lengthwise
- 1 Pint Cherry Tomatoes
- 3 Tbsp of Olive Oil
- 1.5 Tbsp of Fresh Rosemary, Chopped
- 1 Tbsp of Red Wine Vinegar
- 2 Garlic Cloves, Minced (Oil Dressing)
- 2 Tbsp of Canola Oil

Instructions:

1. Season flank steak with paprika and garlic. Rub on all sides and season with salt and pepper. Brush with canola oil.
2. Brush corn, zucchini, and tomatoes with canola oil and season with salt and pepper.
3. Preheat the grill to medium high heat.
4. Add flank steak to grill, flip once and cook to desired internal temperature. About 4 to 6 minutes per side, let rest 5 minutes.
5. Add vegetables to grill and turn occasionally until lightly charred all over.
6. Whisk olive oil, rosemary, red wine vinegar, garlic and salt and pepper to taste in a small bowl.
7. Brush steak and drizzle vegetables with olive oil mixture and serve with steak immediately.

CHAR-GRILLER® ORIGINAL MARINATED FLANK STEAK

Meat Marinade Ingredients:

- 1/2 cup Olive Oil
- 1/3 cup Soy Sauce
- 1/4 cup Red Wine Vinegar
- 2 tbsp. Lemon Juice
- 1 tsp. Dry Mustard
- 1 minced Garlic Clove
- 1 small Onion, minced
- 1/4 tsp. Pepper

Instructions:

1. Mix marinade ingredients in nonmetal dish.
2. Let steak stand in marinade for no less than 4 hours in refrigerator.
3. Sear each side over high heat for 5 minutes; cook to desired internal temperature.
4. Cut steak diagonally across the grain into thin slices before serving.



**FIND MORE
RECIPES AT
CHARGRILLER.COM**



QUICK AND EASY GRILLED PORK TENDERLOIN

Need dinner in a hurry? This quick and easy pork tenderloin recipe is a crowd pleaser. Pair with grilled red potatoes and asparagus for a simple but flavorful dinner!

Ingredients:

2 Pork Tenderloins
2 tsp Paprika
1 tsp Garlic Powder
1 tsp Cilantro
1 tsp Oregano
Salt and Pepper to Taste
Olive Oil

Instructions:

1. Blend spices together in a bowl. Rub pork with olive oil and then season liberally on both sides with spice blend.
2. Set up your Char-Griller for direct cooking. Ignite burners and turn to medium high.
3. Place pork on the grill and cook for 8 to 10 minutes per side or until the internal temperature reads 165°F or until desired internal temperature (USDA Safe Minimal Temperature for Pork is 145°F).
4. Remove from the grill and let rest for 10 minutes.

HAMBURGERS

Season to taste with Char-Griller® "Original" All-Purpose or Steak Seasoning.

You may also marinate by allowing to stand in marinade for 1 or 2 hours at room temperature before cooking, or let stand in covered dish in refrigerator up to 24 hours.

Instructions:

1. Bring to room temperature before cooking.
2. Mix in chopped onions, green peppers, salt, sear 3/4 inch patties on each side.
3. Cook over medium heat with lid down to avoid flare-ups.
4. Cook each side 3 to 7 minutes according to desired temperature.
5. Ground meat will be done when juices run clear (USDA Safe Minimal Temperature for ground meat is 160F).
6. Burgers can be basted with marinade when turning and/or other ingredients can be mixed in with the ground beef such as chili sauce or powder.

JUICY LUCY HAMBURGERS

If you think there is no way that the classic hamburger could get better, just wait until you try the Char-Griller® Juicy Lucy Burger. Packed with flavor and melted cheese, these burgers are sure to be a hit this summer.

Ingredients:

1.5 lbs Ground Beef
1/2 Packet of Dry French Onion Soup Mix
1/4 Cup of French Dressing
2 Tbsp of Worcestershire
1/2 tsp of Salt
1/4 tsp of Black Pepper
Block of Cheddar Cheese

Instructions:

1. Slice cheese into blocks approximately 1/4 inch thick and 2 inches wide by 2 inches tall.
2. Add French Onion Soup Mix, Salt, Pepper, French Dressing, and Worcestershire sauce to ground beef and mix well.
3. Take a portion of the meat and form into a patty.
4. Put the cheese block in the middle of the patty and wrap the cheese completely with the beef. Form a patty with the cheese inside.
5. Repeat with the remaining beef and cheese.
6. Preheat the grill to 400°F
7. Cook burgers for 3 minutes on the first side and then flip.
8. Cook the burgers for 6 minutes on the other side. Ground meat will be done when juices run clear (USDA Safe Minimal Temperature for ground meat is 160F).
9. Add desired toppings and enjoy!

SHRIMP (Peeled) & CRAYFISH

Instructions:

1. Place on skewers.
2. Coat with melted butter and garlic salt.
3. Grill 4 minutes on each side or until pink. Cocktail sauce optional.

HOT DOGS

Instructions:

1. Grill with lid open for approximately 6 minutes.
2. Turn every few minutes.

JALAPEÑO BACON BLANKET POPPERS

Need an easy to make snack for this big game? These Jalapeno Bacon Blanket Poppers are a crowd pleaser and are super easy to whip up on the grill. The bacon gets crispy quickly and doesn't burn easily since it's just sitting on top of the cream cheese filling. Easy, delicious and the perfect size for an appetizer, your friends and family will be asking you to make these again and again!

Ingredients:

4 Jalapeños
Char-Griller Steak Rub to Taste
1/3 Cup Cream Cheese
3 Slices of Bacon
Shredded Cheese to Taste

Instructions:

1. Mix cream cheese, shredded cheese, Char-Griller® Steak Rub in a bowl and set aside.
2. Slice jalapeños through the middle to make it boat shaped.
3. Using a spoon remove the pith and seeds to create room for the filling.
Tip: If you like heat then leave some seeds behind. Seeds provide the heat.
4. Fill jalapeños with filling.
5. Slice bacon into small strips then lay it over the filling on the jalapeños.
6. Sprinkle a small portion of the Char-Griller® Steak Rub on top of the bacon.
7. Fire up your Char-Griller Grill to 350°.
8. Place Jalapeño Bacon Blanket Poppers in the grill/smoker and smoke for 30 minutes or when the bacon is golden brown. Remove and enjoy!

Indirect Heat Recipes

HASSLEBACK POTATOES

A side dish that can basically be a meal in and of itself, these Hassleback Potatoes can be completely customized with toppings and types of cheese!

Ingredients:

6 Russet Potatoes
1 Pack of Cheddar Cheese Slices
1 Pack of Pepper Jack Slices
Chipotle Powder
Oregano
Salt and Pepper to Taste
Cooked Bacon (Diced)
Chives (Sliced)
Sour Cream

Instructions:

1. Set up your grill for indirect cooking.
2. Cut thin slices in the width of the potatoes, but be careful to not slice all the way through.
3. Wrap the potatoes in foil and place on the side of the grill away from the flames. Allow to cook until tender. About 45 minutes to an hour.
4. Remove potatoes from the grill and unwrap.
5. Place alternating slices of cheddar and pepperjack in the potato.
6. Season potatoes with chipotle powder, salt, pepper, and oregano.
7. Place potatoes back on the grill unwrapped for 10 to 12 minutes or until cheese is melted.
8. Garnish with bacon, chives, sour cream and serve.

SWEET CORN IN HUSKS

Instructions:

1. Trim excess silk from end and soak in cold salted water 1 hour before grilling.
2. Grill 25 minutes – turning several times.



GARLIC PARMESAN CHICKEN WINGS

Replicate the signature flavors of your favorite wing spot with this marinated Garlic Parmesan Recipe.

Ingredients:

4 lbs. of Chicken Wings
16 oz. Bottle Italian dressing
1 Cup of Shredded Parmesan Cheese
1/2 Tbsp. Onion Salt
1/2 Tbsp. Black Pepper
1 Cup of Butter
1 Tbsp. Oregano
2 Tbsp. Garlic Powder
A pinch of rosemary

Instructions:

1. Marinate wings overnight or at least four hours in Italian dressing
2. Add charcoal to one side of grill for indirect grilling, or use Smokin' Stone™ and add flavored wood chips/chunks if desired
3. Let grill preheat to 275°F
4. Place wings on indirect heat side of grill
5. Smoke wings for 45-60 minutes, until internal temp reaches 170°F
6. While wings are smoking, make garlic Parmesan sauce by mixing Parmesan cheese, garlic powder, onion salt, black pepper, butter, oregano and rosemary
7. Remove wings from grill and toss in garlic Parmesan sauce

CEDAR PLANK SALMON

Think you can't get the perfect smoked salmon on a gas grill? Think again. With indirect grilling, you can get the perfect cedar plank soaked salmon every time.

Ingredients:

2 Cedar Planks
2 Salmon Filets
Olive Oil
Rosemary
Salt and Pepper to Taste

Instructions:

1. Soak cedar planks in water for at least 8 hours.
2. Set up your grill for Indirect cooking
3. Add 30 to 40 charcoal briquettes to one side of the grill
4. Ignite charcoal with gas burners set to medium high

5. Once charcoal is lit, turn off gas burners and allow to fully ash over
6. Rub salmon on both sides with olive oil.
7. Season with salt and pepper, rosemary sprigs and slices of lemon
8. Place salmon on the side of the grill away from the charcoal
9. Cook salmon for 15 minutes or until flakey.

CHILI-LIME CHICKEN THIGHS

Perfect for tacos, fajitas, nachos, or as a dish all on it's own, this Chili-Lime Chicken Thighs Recipe, prepared by our ambassador, BBQFiends, can be quickly cooked on a grill for a weeknight meal or cooked with charcoal on the weekend to add just the right kick of smokey flavor.

Ingredients:

3 Lbs Chicken Thighs
2 Tbsp Favorite BBQ Chili Seasoning
1 Lime
Chopped Cilantro for Garnish
1 Lime Juiced (Marinade)
1 - 12 oz Beer (Marinade)
Salt & Pepper to Taste (Marinade)

Instructions:

1. Trim excess fat off chicken thighs and place in a large bowl. Add the marinade ingredients and let sit in the refrigerator for 1-2 hours before cooking.
2. Remove chicken from marinade and season with your favorite BBQ chili seasoning. Get the grill up to 350° F and place the chicken over indirect heat.
Tip: To get crispier chicken skin flip the chicken over about half-way through the cook and move to direct heat. Make sure internal temp is at least 165F before removing for the grill.
3. Pull the chicken and garnish with chopped cilantro and a squeeze of lime over the top.
4. Serve and enjoy!

Smoking Recipes

“CERTIFIED” PORK BUTT

A great pork butt recipe perfect for beginners and pitmasters alike. This slow smoked pork butt recipe is great shredded and piled high with coleslaw for a sandwich or eaten on it's own straight out of the pan!

Ingredients:

2 Pork Butts (6-10 lbs. each)
Apple juice
Your favorite rub/seasoning
Mustard

Preparing the Meat:

1. Remove the pork butt from the plastic wrap & pat dry using a paper towel.
Tip: Choose a pork butt with a full fat cap. This helps the meat while it's smoking for a long period of time.
2. Trim the excess fat that is loose and pulls up easily. Score the fat cap 1/8 to 1/4-inch-deep diagonally, spaced out 1/2 to 1 inch apart.
Tip: Scoring the meat allows the seasoning and smoke to penetrate into the pork butt.
3. Fill the marinade injector with apple juice and inject into the top and sides of the meat.
4. Spread a coating of mustard using a basting brush all over the pork butt.
5. *Tip: This allows the rub to stick to the pork butt.*
6. Generously season the pork butt on all sides with your favorite rub.
Tip: After seasoning, wrap in Saran Wrap and store in the refrigerator overnight or 8-10 hours. This allows the rubs to penetrate and apple juice to tenderize the pork butt.

Cooking Directions:

1. Ignite charcoal and preheat the smoker to 225°F.
2. Add boiling water to the drip pan and place under the grill grate.
Tip: This will add moisture for the cook and collect the drippings .
3. Smoke the pork butts for 2 hours per pound at 225°F, until the meat reaches an internal temperature of 160°F.
Tip: Maintain a 225°F temperature, check fire hourly or when needed. Also spritz with apple juice every time you add fuel to your fire. Spritzing adds moisture and flavor. It prevents the pork butt from drying out and helps to create the bark. Monitor the temperature using a folding probe thermometer and/or remote thermometer.

4. Remove the pork butts from the smoker and double wrap in foil. Before closing the wrap, add 1 Cup of apple juice and 1 stick of butter for each pork butt, more seasoning and BBQ sauce, to taste.
5. Place back in the smoker and cook until the pork butt reaches an internal temperature of 199°F, then remove from the smoker.
Tip: Wrap pork butt in a large towel and place in a cooler or just set to the side for a minimum of 1-2 hours for resting. This allows the meat to cook down and stop cooking and is a major key in the process.
6. After resting, remove the towel and foil. Pull apart the pork using two forks or meat claws.
7. Make pulled pork sandwiches and endless pulled pork dishes. Enjoy!

BRISKET

The brisket recipe is a traditional take on the smoked classic, promising tender, smoky results.

Ingredients:

10 ½ lb. beef brisket
½ Cup paprika
¼ Cup packed light brown sugar
3 Tbsp. salt
3 Tbsp. coarse black pepper
3 Tbsp. Chili powder
Apple juice
Water

Instructions:

1. Using a sharp knife, trim the fat from the brisket leaving an even, thin layer on the top.
2. In a medium bowl, combine paprika, light brown sugar, Chili powder, salt and pepper and mix well to make rub seasoning. Using your hands, or a shaker, generously apply rub all over.
3. Wrap the brisket in plastic wrap and refrigerate for at least 12 hours.
4. When setting up the grill, add wood chips/chunks to charcoal and add Smokin' Stone with an aluminum pan on top. Pour apple juice and water into the pan, about halfway full. Place a temperature probe at grate level and heat grill to 220°F.
5. Place brisket on grates, fat side up, and allow to smoke for 5 hours. After 5 hours, wrap the brisket in butcher paper and return to grill at 220°F. Brisket is done when the internal temperature reaches 195°F. Allow the brisket to rest for 1 hour.
6. Slice, serve and enjoy!



3-2-1 RIBS

The 3-2-1 rib method might be something you have seen thrown around on social media. It's a popular technique for smoking ribs that are tender, juicy, and come clean off the bone. Simple and easy to follow, this is a surefire way to guarantee your ribs are finger lickin' good.

The 3-2-1 Method is a process that involves smoking the ribs for three hours, wrapping them in foil and braising for two hours, and the smoking unwrapped for one hour. This not only helps the ribs cook faster, it ensures an even smoke ring, and more tender meat.

Ingredients:

4 Racks of Ribs
2 Cups of Apple Cider, 2 Additional Cups in Spray Bottle
8 Tbsp of Salted Butter
1 Cup of Favorite BBQ Sauce
1 Cup Dark Brown Sugar
Char-Griller Rib Rub
4 Tbsp Honey

Instructions:

1. Prepare your Char-Griller® Offset Smoker for smoking by starting half a chimney starter of charcoal and adding it to the Side Fire Box. Alternatively, prepare your grill for the indirect method with coals arranged opposite where you plan to place the ribs.
Tip: Add about half a chimney of unlit charcoal to the Side Fire Box close to the barrel before adding the lit charcoal next to it. The lit charcoal will gradually light the unlit charcoal to help maintain temperature for longer.
2. Add three to four chunks of Apple Wood and close the lid.
3. Allow the grill to heat up to about 200°F.
4. Remove the membrane from the ribs.
Tip: Start at the narrower end of the rack, carefully work a paring knife under the membrane to get it started, and remove the membrane using a paper towel.
5. Liberally season both sides of the ribs with Char-Griller® Rib Rub.
6. Open the grill and raise the adjustable fire grate to the top level. This ensures even smoke distribution.
7. Place a drip pan(s) full of water under the grates and on top of the fire grate in the main barrel.
8. Place ribs bone side down on the grates, close the lid and allow to smoke for three hours.
Tip: Place the exposed bone side of the rib rack towards the Side Fire Box to get the meat to pull away from the bone better. If using the indirect method, place ribs opposite the coals.
9. Periodically check the temperature to ensure it is holding steady at 200°F. If you have to add charcoal, only add lit charcoal.
10. Every 30 minutes, spray the ribs with Apple Cider and move the rib rack that is closest to the Side Fire Box to the side of the grill that is furthest from the Side Fire Box and move the other rib racks closer to the Side Fire Box to accommodate. Repeat the spray and rotate method every 30 minutes.
11. Remove ribs from the grill after three hours.
12. Tear off a large sheet of heavy-duty aluminum foil. (One for each rack of ribs.)
13. Place one rack of ribs bone side up on each piece of aluminum foil.
14. Coat the bone side of ribs with brown sugar, honey, and four pats of butter.
15. Pour over ½ cup of apple cider.
16. Fully crimp the edges of the foil together to cover the ribs.
17. Fully crimp the edges of the foil together to cover the ribs.
18. Repeat with the other three racks of ribs.
19. Transfer ribs back to the smoker and increase the temperature to 225°F.
20. Do this by opening the dampers a little more and adding another half a chimney of lit charcoal if needed.
21. Allow ribs to braise for two hours.
22. Continue to rotate the ribs as outlined in step 8b to ensure that all of the racks get time close and far away from the fire.
23. Remove the ribs from the grill and foil. Place back on the grill bone side down.
24. Brush ribs with your favorite BBQ sauce and cook for one hour at 225°F.
25. Remove and enjoy!

SMOKED MAC AND CHEESE

An all-time family favorite, this Smoked Mac & Cheese recipe elevates stovetop or oven baked mac & cheese with flavors sure to keep your smoker fired up

Ingredients:

1 Package of Elbow Macaroni
½ Stick of Butter
¼ Cup of All Purpose Flour
1 Cup of Heavy Cream
1 Cup of Milk
2 Cups of Cheddar Cheese (Shredded)
1 Cup of Gouda Cheese (Shredded)
1 Cup of Colby Jack Cheese (Shredded)
½ Cup of Cream Cheese
2 Tbsp of Black Pepper
1 Tsp of Cayenne Pepper
1 Large Cast Iron Skillet

Instructions:

1. Boil elbow macaroni according to package instructions for al dente.
2. Preheat the smoker to 225°F using a fruity hardwood like apple or cherry in the Side Fire Box.
Tip: If your grill does not have the Side Fire Box attachment, easily turn it into a smoker by arranging coals/wood opposite of where you place the mac and cheese pan. If you place the pan on the right side of the grates, simply place wood on the right side for an indirect cooking experience.
3. Heat the cast iron skillet over medium heat, then melt butter and whisk in flour.
4. While continuing to whisk, add milk and heavy cream bringing to a boil.
5. Reduce to low-medium heat and whisk in cream cheese until smooth.
6. Whisk in the rest of the cheeses continuing to stir until melted and smooth
7. Turn off the heat then stir in macaroni noodles until thoroughly mixed with cheese sauce
8. Place the entire skillet in the smoker and cook for 1-2 hours until desired doneness. Keep in longer for more smoky flavor.
9. Serve hot.

SMOKED STUFFED HOT DOGS

1. Slit hot dogs lengthwise, within 1/4 inch of each end.
2. Stuff hot dogs with cheese and relish and wrap in bacon.
3. Place on cooking grate over drip pan and smoke 15-20 minutes or until bacon is crisp.

SMOKED CHICKEN PARTS AND HALVES

Instructions:

1. Rinse pieces in cold water and pat dry with paper towels.
2. Brush each piece with Olive Oil and season to taste with salt and pepper.
3. Brown pieces directly above coals with lid open and grill on high or medium heat for several minutes.
4. Then place pieces on cooking grate in indirect cooking area.
5. With the grill on low heat, cook with lid down for 55 to 60 minutes or until done. Do not use Olive Oil or salt and pepper if using marinade

SMOKED BAKED HAM:

You can smoke fully cooked canned ham or smoked and cured whole ham or shank or butt portion.

Glaze

1 cup of Light Brown Sugar, firmly packed
1/2 cup Orange Juice
1/2 cup Honey

Instructions:

1. Combine sugar, juice and honey. Let glaze sit for at least 4 hours.
2. Remove rind and score fat diagonally to give a diamond effect.
3. Insert a whole clove into the center of every diamond.
4. Place ham with fat side up in center of cooking grate. Close lid.
5. About 9 minutes per pound is suggested for fully cooked hams. Smoked or cured ham, which is not fully cooked, should be cooked to an internal temperature of 160°F.
6. Baste with ham glaze 3 or 4 times during last 30 minutes of cooking time.
7. Garnish with pineapple rings about 15 minutes before end of cooking time.



SMOKED TURKEY

Instructions:

1. Empty cavity rinse and pat dry with paper towel.
2. Tuck wing tips under the back and tie legs together.
3. Place in center of cooking grate directly above foil drip pan of water.
4. Smoke for 12 minutes per pound. Allow several extra minutes per pound if stuffed to allow for expansion.
5. Use a meat thermometer for best results (190°F internal).

SMOKED VENISON WITH BACON

Venison Marinade

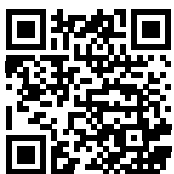
- 1 cup Balsamic or Red Wine Vinegar
- 1 cup Olive Oil
- 2 oz. Worcestershire
- ½ oz. Tabasco
- 2 Tbsp. Seasoning Salt
- 1-2 Chopped Jalapeños
- 3 oz. Soy Sauce

Bacon Marinade

- 2 oz. Red Wine Vinegar
- 2 oz. Worcestershire 4 dashes Tabasco

Instructions:

1. Place leg of venison in a container and marinate for 2-4 days, turning daily.
2. Leave bacon to marinate overnight.
3. Remove leg from refrigerator at least an hour before cooking.
4. Season generously with seasoned salt and coarse ground black pepper.
5. Wrap 1 lb. bacon over the top of the leg, and smoke 20-25 minutes per pound, or until tender.
6. Do not overcook.



**FIND MORE
RECIPES AT
CHARGRILLER.COM**

Marinades

CHICKEN MARINADE

Ingredients:

- ½ Cup Soy Sauce
- ¼ Cup Olive Oil
- ¼ Cup Red Wine Vinegar
- 1 Tsp Oregano
- ½ Tsp Sweet Basil
- ½ Tsp Garlic Powder with Parsley
- ¼ Tsp Pepper

Instructions:

1. Pour over chicken pieces in non-metal dish
2. Cover and refrigerate overnight, turning occasionally. Use marinade to baste chicken while cooking.

MEAT MARINADE: (For steaks, chops, and burgers)

Ingredients:

- ¼ Cup Soy Sauce
- 2 Large Onions
- 2 Garlic Cloves, crushed
- 2 Tsp Salt
- 2 Tsp Paprika
- 1 Tsp Fresh Ground Pepper

Instructions:

1. Combine ingredients in an electric blender, cover, and process at high speed 1 minute or until mixture is very smooth.
2. Allow meat to stand in marinade at room temperature for 2 hours or refrigerate up to 24 hours in a covered dish.
3. Bring meat to room temperature before cooking.

SHISH KABOB MARINADE

Ingredients:

- 1 Cup Soy Sauce
- ½ Cup Brown Sugar
- ½ Cup White Vinegar
- ½ Cup Pineapple Juice
- 2 Tsp Salt
- ½ Tsp Garlic Powder

Instructions:

1. Mix all ingredients together.
2. Marinate beef in mixture a minimum of 4 hours.



FAVORITE ACCESSORIES

FOR THE FULL LINE OF ACCESSORIES VISIT CHARGRILLER.COM



Custom Fit Cover

Weather Resistant
Protects Grill Finish

Check chargriller.com for your grill's custom fit cover



Quick Release Chimney Starter

E-Z starter with patented Trigger release
ABS handle with heat shield
Zinc coated galvanized steel
Makes starting charcoal grill fast and easy

Model #19586



Charcoal Basket

Confines Coals to One Side for Smoking Indirect Cooking

Model #9955



Folding Probe Thermometer

Stainless steel fast-read probe accurately measures temperature
Easily switch from °F to °C
Auto ON/OFF feature for extended battery life

Model #6304



Char-Griller® Trucker Hat

Cotton-poly blended front
Nylon mesh back
Adjustable snapback closure
One Size Fits Most

Model #70100



Original All-Purpose BBQ Rub

Pairs well with all types of meat and fish

Model #85501



**This Page Intentionally
Left Blank**

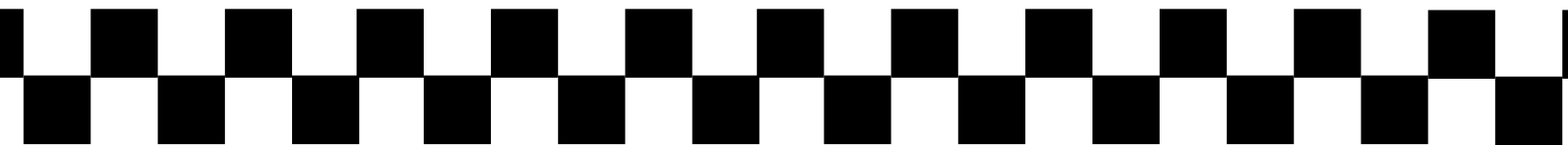
**This Page Intentionally
Left Blank**



**This Page Intentionally
Left Blank**



P.O. Box 30864
Sea Island, GA 31561
1-912-638-4724
www.CharGriller.com
Service@CharGriller.com



MANUAL DEL PROPIETARIO



GRAND CHAMP™

Modelo #8250



**MANTENGA SU RECIBO
JUNTO CON ESTE MANUAL
PARA FINES
DE LA GARANTÍA.**

**SERVICIO AL CLIENTE
1-912-638-4724
Service@CharGriller.com**

El contenido de este manual está registrado y los derechos de autor son propiedad de Char-Griller® | A&J Manufacturing. El uso de la información contenida en este manual sin el consentimiento de Char-Griller® y/o A&J Manufacturing está estrictamente prohibido.



TABLA DE CONTENIDO

Advertencias De Seguridad Y Garantía	A-1
Instrucciones De Montaje	B-1
Uso Del Producto	C-1
Recetas	D-1
Accesorios	E-1

ADVERTENCIAS IMPORTANTES DE SEGURIDAD

LEA TODAS LAS INSTRUCCIONES Y ADVERTENCIAS DE SEGURIDAD CUIDADOSAMENTE ANTES DE ENSAMBLAR Y OPERAR SU PARRILLERA

Lea todas las instrucciones cuidadosamente y asegúrese de que su parrillera esté ensamblada, instalada y reciba mantenimiento apropiadamente. El incumplimiento de estas instrucciones puede causar daños a la propiedad y/o lesiones severas. Si tiene alguna pregunta relacionada con la instalación u operación, llame al 1-912-638-4724.

- Exclusivamente para el uso al aire libre y en áreas bien ventiladas.
- Sea precavido durante el ensamblaje y operación de la parrillera, para evitar rasguños y cortadas con bordes filosos.
- No utilice líquido de encendedor, gasolina, querosén o alcohol para encender el carbón. El uso de cualquiera de esos o de productos similares podría causar una explosión que resulte en lesiones severas.
- No deje una parrillera encendida sin supervisión. Mantenga a los niños y mascotas alejados de la parrillera en todo momento.
- No use la parrilla cuando haya vientos fuertes.
- Tenga cuidado al mover la parrilla para evitar lastimarse.
- El consumo de alcohol, medicamentos recetados o no recetados puede afectar la capacidad del operador para montar u operar la parrilla de forma segura.
- Use la parrilla al menos a 3 pies de cualquier pared o superficie. Mantenga una distancia de 10 pies de los objetos que pueden incendiarse o fuentes de ignición, como luces piloto en calentadores de agua, aparatos eléctricos con corriente, etc.
- Sea extremadamente cuidadoso al agregar carbón y/o madera.
- Nunca mueva la parrilla cuando se esté usando o cuando contenga brasas o cenizas calientes.
- NO use la parrilla a gas para cocinar o calentar en interiores. Se podrían acumular vapores TÓXICOS y causar asfixia. No usar en o sobre barcos en vehículos recreativos.
- Asegúrese de vaciar lata de grasa después de cada uso una vez que se haya enfriado por completo.
- No coloque la parrillera cerca de ningún líquido o gas inflamable, ni donde puedan estar presente vapores inflamables.
- Al cocinar con aceite/grasa, no permita que el aceite/grasa supere los 350°F (177°C). No almacene ni use aceite de cocina adicional cerca de este o cualquier otro aparato.



WARNING: FUELS USED IN WOOD OR CHARCOAL BURNING APPLIANCES, AND THE PRODUCTS OF COMBUSTION OF SUCH FUELS, CAN EXPOSE YOU TO CHEMICALS INCLUDING CARBON BLACK, WHICH IS KNOWN TO THE STATE OF CALIFORNIA TO CAUSE CANCER, AND CARBON MONOXIDE, WHICH IS KNOWN TO THE STATE OF CALIFORNIA TO CAUSE BIRTH DEFECTS OR OTHER REPRODUCTIVE HARM. *For more information go to:* www.P65Warnings.ca.gov.

ADVERTENCIA: LOS COMBUSTIBLES USADOS EN EQUIPOS PARA QUEMAR MADERA O CARBÓN, ASÍ COMO LOS PRODUCTOS DE TAL COMBUSTIÓN, PUEDEN EXPONERTE A SUSTANCIAS QUÍMICAS, ENTRE ELLAS EL NEGRO DE HUMO Y EL MONÓXIDO DE CARBONO, QUE EL ESTADO DE CALIFORNIA RECONOCE COMO CAUSA, RESPECTIVAMENTE, DE CÁNCER Y DE MALFORMACIONES CONGÉNITAS Y OTROS DAÑOS AL SISTEMA REPRODUCTOR. *Para más información, visite www.P65Warnings.ca.gov*



ADVERTENCIAS IMPORTANTES DE SEGURIDAD (Continuación)

- Sea precavido ya que las llamas pueden intensificarse y estallar cuando el aire fresco entra en contacto con el fuego.
- NO se incline sobre una parrilla abierta y preste atención a donde pone las manos/dedos cerca del borde del área para cocinar.
- Cuando abra la tapa, mantenga las manos, cara y cuerpo en resguardo del vapor caliente y las llamaradas.
- ADVERTENCIA: Para prevenir lesiones utilice guantes o equipo de protección cuando opera la parrilla.
- No exceda una temperatura de 350°F.
- No permita que el carbón y/o leña repose en las paredes de la parrillera. Esto reduciría considerablemente la vida útil de la parrillera.
- Siempre utilice agarradores de horno para proteger las manos de quemaduras.
- Evite tocar superficies calientes.
- PRECAUCIÓN: Las compuertas de metal expuestas en los ductos de aire y/o manillas de metal se calientan durante el uso de la parrillera. Use siempre los agarradores para horno cuando ajuste el flujo de aire, para proteger las manos de quemaduras.
- No altere esta parrilla de ninguna manera.
- Cuando abra la tapa, asegúrese de empujarla completamente hasta que descansa sobre los soportes de apoyo de la tapa. Tenga mucho cuidado ya que la cubierta podría caer a la posición de cerrado, causando lesiones. Siempre sostenga una tapa abierta por el asa, para prevenir que se cierre inesperadamente.
- Cierre la tapa y todas las rejillas para ayudar a extinguir la llama.
- No deje carbones y cenizas sin supervisión. Antes de dejar la parrillera sin supervisión, retire los carbones y cenizas. Tome precauciones para protegerse a sí mismo y a la propiedad.
- Coloque los carbones y cenizas cuidadosamente en un contenedor de metal no combustible y satúrelo completamente con agua. Permita que los carbones y cenizas reposen por 24 horas en el contenedor de metal previo a su desecho.
- Para protegerle de las bacterias que pueden causar enfermedades, mantenga todas las carnes refrigeradas y descongélelas en el refrigerador o microondas. Mantenga las carnes crudas separadas de otras comidas, y lave todo lo que entre en contacto con la carne cruda.
- Cocine las carnes cuidadosamente, y refrigere los excedentes inmediatamente.
- Utilice un termómetro para comida calibrado y los lineamientos del Departamento de Agricultura de los EE.UU. para asegurarse de que la carne, aves, mariscos y otros alimentos cocidos alcancen una temperatura mínima saludable para su ingesta.

ESTAS ADVERTENCIAS TAMBIÉN APLICAN PARA LA PARRILLERA LATERAL.

*****;DETÉNGASE! ;LLAME A  PRIMERO!*****

NO Devuelva El Producto A La Tienda.

Esta parrilla se ha creado siguiendo las normas de calidad más altas. Si tiene preguntas que este manual no aborda o si necesita piezas, llame a nuestro Departamento de Atención al Cliente al 1-912-638-4724 (EE.UU.) o escríbale un correo electrónico a Char-Griller® al: Service@CharGriller.com y tenga su número de serie a mano.

REGISTRE SU PARRILLA:

Para aprovechar la garantía de Char-Griller® al máximo, asegúrese de registrar su parrilla visitando www.CharGriller.com/Register o llame al departamento de Servicio al Cliente al 1-912-638-4724.

Registrarse le aporta protecciones importantes:

1. Registre su parrilla hoy para activar su garantía y obtener acceso exclusivo a desarrollos de productos, actualizaciones y recetas.
2. Esto nos permite ayudarlo a obtener piezas garantizadas rápidamente y brindar un mejor servicio al cliente.

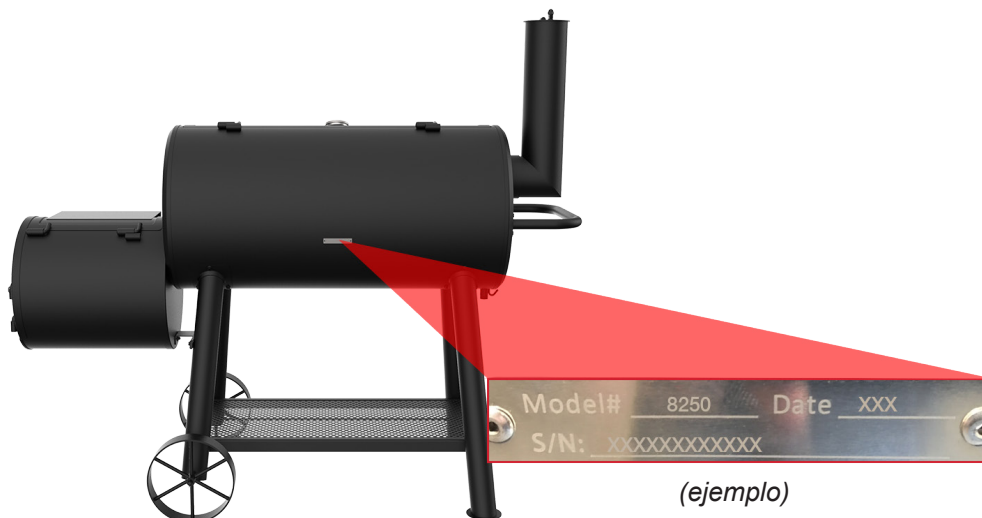
NOTA: Para registrarse, necesitará su número de modelo, número de serie y una copia del recibo de compra original.

Documente su números de serie AQUÍ:

(Puede encontrar el modelo y el número de serie en la parte trasera de la carcasa de la parrilla o en la pata).



(NO. DE SERIE)





INFORMACIÓN DE GARANTÍA

SE NECESITA UNA COPIA DEL COMPROBANTE DE COMPRA CON FECHA (RECIBO) PARA REGISTRARSE O PRESENTAR UN RECLAMO DE GARANTÍA*. CONSERVE UNA COPIA DEL RECIBO PARA SUS REGISTROS.

Char-Griller reemplazará cualquier pieza defectuosa de sus parrillas/ahumadores, bajo garantía, según se describe de abajo.

LEA ESTA INFORMACIÓN DETENIDAMENTE Y COMUNÍQUESE CON EL DEPARTAMENTO DE SERVICIO AL CLIENTE MARCANDO 1-912-638-4724 O ESCRIBIENDO A SERVICE@CHARGRILLER.COM. SI TIENE ALGUNA PREGUNTA.

Parrillas de carbón / Pellet / Kamado	
Parrilla - Cubierta Y Parte Inferior (excluye el cenicero extraíble)	5 años a partir de la fecha de compra por oxidación / quemaduras
Cenicero Y Piezas defectuosas	1 año desde la fecha de compra
Parrillas a Gas	
Cubierta de la parrilla (mitad SUPERIOR) Y tubos de la hornilla principal (excluye la Hornilla lateral)	5 años a partir de la fecha de compra por oxidación / quemaduras
Carcasa de la parrilla (parte INFERIOR) Y hornilla lateral Y piezas defectuosas	1 año desde la fecha de compra
Parrillas de Combustible Dual (Gas y Carbón)	
Parrilla a carbón - Cubierta y parte inferior y Cubierta de la parrilla a gas (mitad SUPERIOR) Y tubos de la hornilla principal (excluye el cenicero y la hornilla lateral)	5 años a partir de la fecha de compra por oxidación / quemaduras
Cenicero Y Piezas defectuosas y Carcasa de la parrilla a gas (parte INFERIOR) Y hornilla lateral	1 año desde la fecha de compra
Piezas, Accesorios y Cobertores Para Parrilla	
	1 año a partir de la fecha de compra (únicamente se cubren las roturas de costuras para los cobertores)

LA OXIDACIÓN SUPERFICIAL NO SE CONSIDERA UN DEFECTO DE FABRICACIÓN O DE MATERIALES

Las parrillas Char-Griller están fabricadas de acero y la oxidación ocurrirá naturalmente si se exponen a los elementos. Consulte la sección titulada "Uso" para repasar cómo cuidar su parrilla adecuadamente.

Estas garantías NO cubren problemas superficiales, como raspones, abolladuras, corrosión o decoloración por calor, limpiadores abrasivos y sustancias químicas, oxidación superficial o decoloración de las superficies de acero.

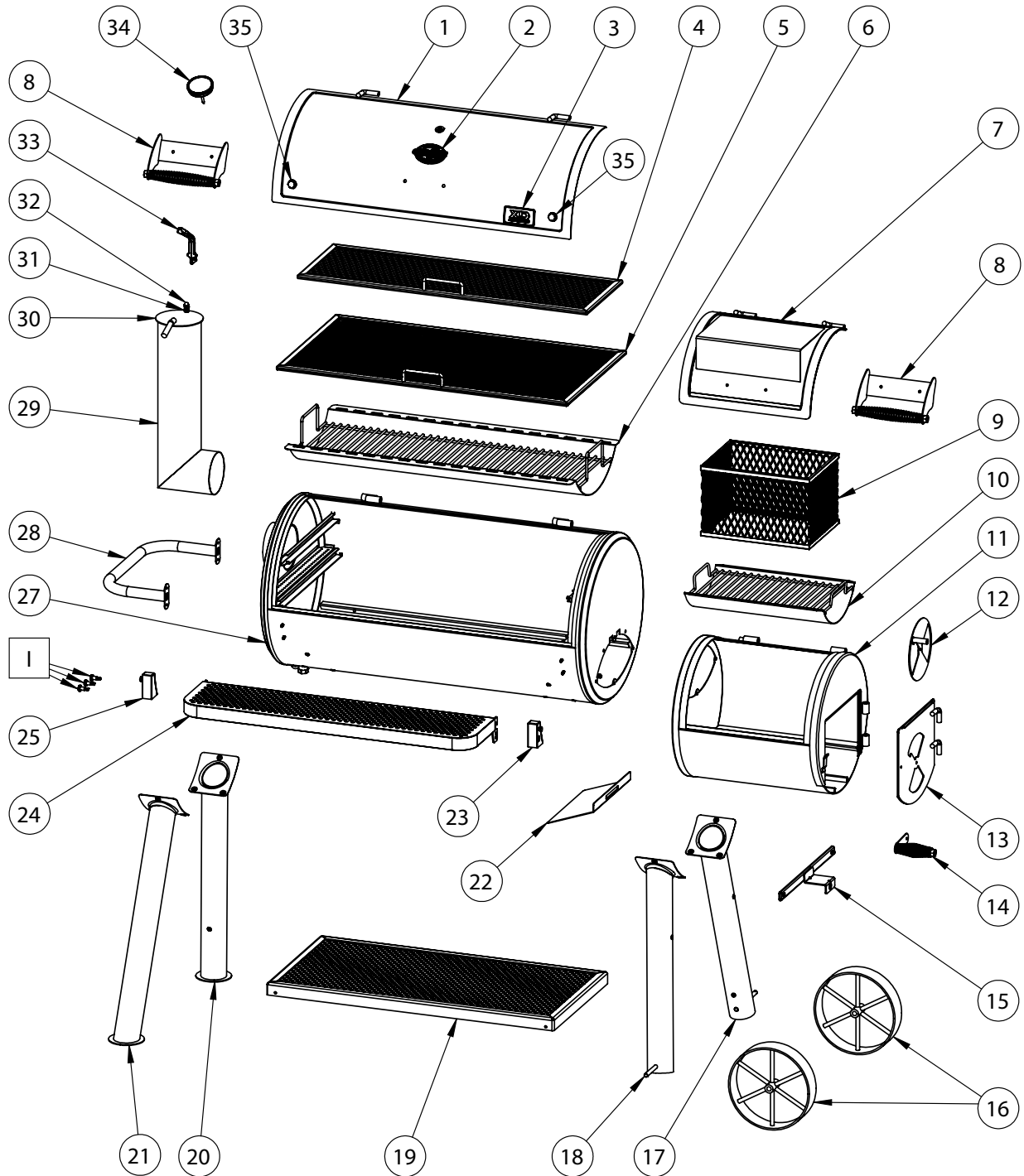
Las garantías son únicamente para reemplazar piezas defectuosas. Char-Griller no se hace responsable de los daños causados por accidentes, alteraciones, mal uso, abuso, ambientes hostiles, instalación incorrecta e instalación que no satisfaga los códigos locales de servicio para la unidad.

Se excluye bajo TODAS las garantías

Pintura; óxido de superficie; daño causado por el calor; piezas incorrectas que el cliente haya pedido, incluyendo el envío; piezas desgastadas; piezas faltantes o dañadas que no se reporten dentro de los dos (2) meses después de la fecha de compra; piezas defectuosas que no se reporten dentro de un (1) año de la fecha de compra; decoloración de la cubierta de la parrilla.

*NOTA: Se pueden requerir fotos y el retorno prepago del artículo en cuestión para presentar reclamos de garantía. El mal uso, abuso o uso comercial invalida todas las garantías.

INSTRUCCIONES DE ENSAMBLAJE



vendido bajo licencia de w.c. bradley co.



LISTA DE PIEZAS









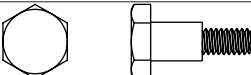
Artículo	Cantidad	Nombre de Parte
1	1	TAPA
2	1	PLACA DE LOGO
3	1	PLACA DE LOGO, XD SERIES
4	1	REJILLA DE CALENTAMIENTO
5	1	REJILLA PARA COCINAR
6	1	ANDEJA PARA CENIZAS Y REJILLA PARA EL CARBÓN
7	1	TAPA DE LA PARRILLERA LATERAL (SFB)
8	2	ASA DE LA TAPA
9	1	CESTA DE HUMO
10	1	ANDEJA PARA CENIZAS DE LA SFB
11	1	CUERPO DE LA SFB
12	1	REGULADOR DE LA SFB
13	1	PUERTA DE LA SFB
14	1	ASA DE LA PUERTA DE SFB
15	1	SOPORTE DE SFB
16	2	RUEDA
17	1	PATA CORTA TRASERA
18	1	PATA CORTA FRONTAL
19	1	REPISA INFERIOR
20	1	PATA LARGA TRASERA
21	1	PATA LARGA FRONTAL
22	1	ESCUDO DE HUMO
23	1	MONTAJE DE SOPORTE DERECHO DE LA REPISA FRONTAL
24	1	REPISA FRONTAL
25	1	MONTAJE DE SOPORTE IZQUIERDO DE LA REPISA FRONTAL
I	3	GANCHO PARA UTENSILIOS (INCLUIDO EN EL PAQUETE DE HARDWARE)
27	1	CUERPO DE LA PARRILLA
28	1	ASA LATERAL
29	1	CHIMENEA PARA GASES
30	1	REGULADOR DE CHIMENEA PARA GASES
31	1	RESORTE DE CHIMENEA PARA GASES
32	1	TUERCA CIEGA
33	1	ELEVADOR DE LA REJILLA
34	1	TERMÓMETRO Y HARDWARE
35	2	PERNO HEXAGONAL, AGUJERO DE LAS CUBIERTAS PARA LA COLOCACIÓN OPCIONAL DEL TERMÓMETRO

HARDWARE NECESARIO

Ensamblaje: Requiere 2 personas. **Herramientas Necesarias:** martillo, destornillador Phillips, alicates, y un destornillador de tuerca de 7/16 “.

****NOTA:** No apriete ningún tornillo o perno a menos que se indique explícitamente. Apretar antes de tiempo puede impedir que las partes encajen. Todas las Tuercas Hexagonales deben ir en la parte interna de la parrillera a menos que se indique lo contrario. Desempaque todo el contenido en un área despejada y acolchada.**

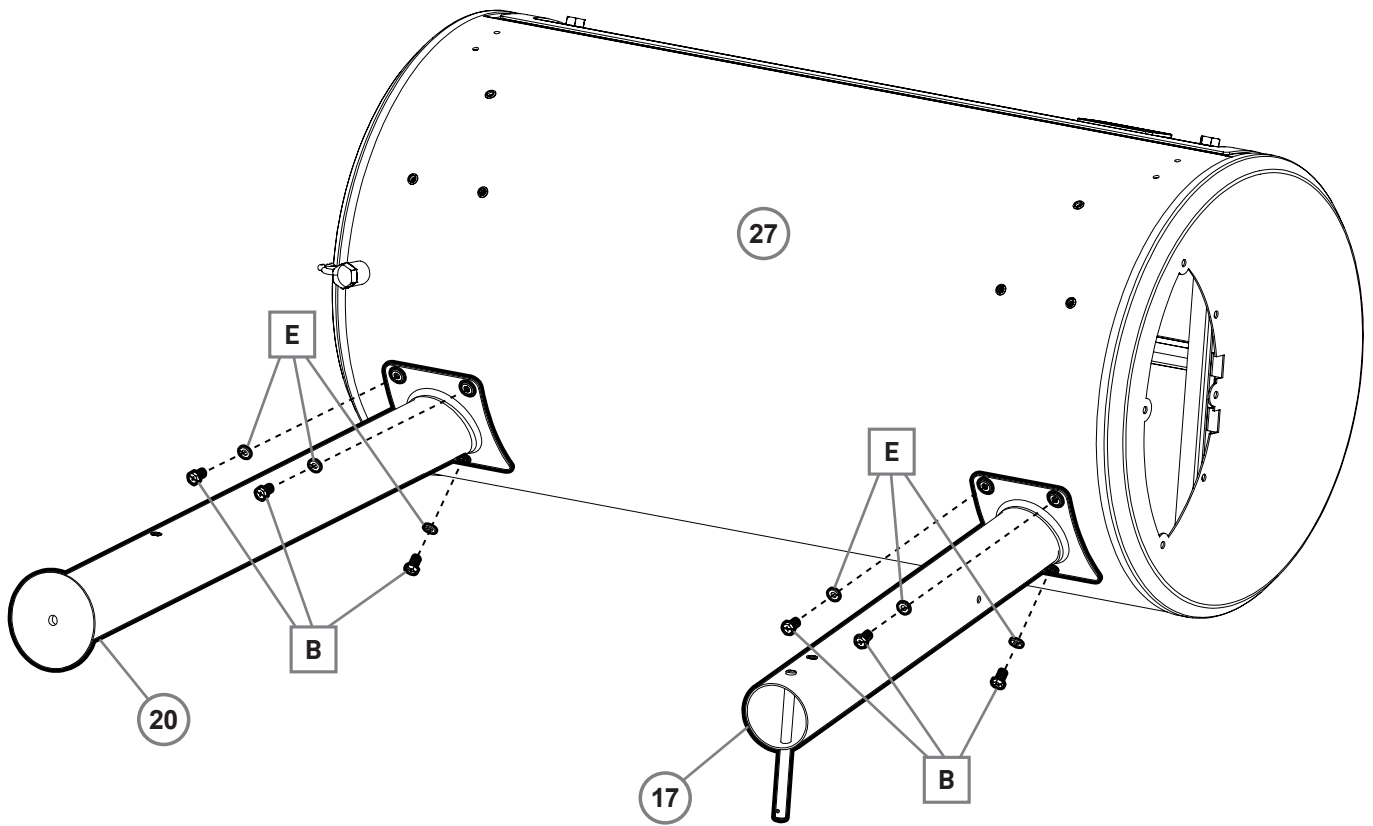
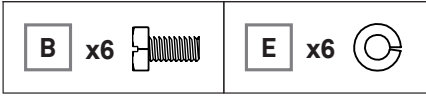
Tiempo Estimado de Ensamblado: 45 minutos

Artículo	Descripción	Foto	Cantidad
A	PERNO DE TOPE 1/4-20 X 3/8”		2
B	PERNO HEXAGONAL 1/4-20 X 1/2”		32
C	PERNO HEXAGONAL 1/4-20 X 3/4”		8
D	TUERCA HEXAGONAL, CON REBORDE, 1/4-20		12
E	ARANDELA, FIJACIÓN, 1/4”		20
F	ARANDELA, PLANA, 1/4”		4
G	ARANDELA, PLANA, 1/2”		2
H	PASADOR DE CHAVETA, 1.5”		2
I	GANCHO PARA UTENSILIOS		3



Paquete De Hardware: #551156

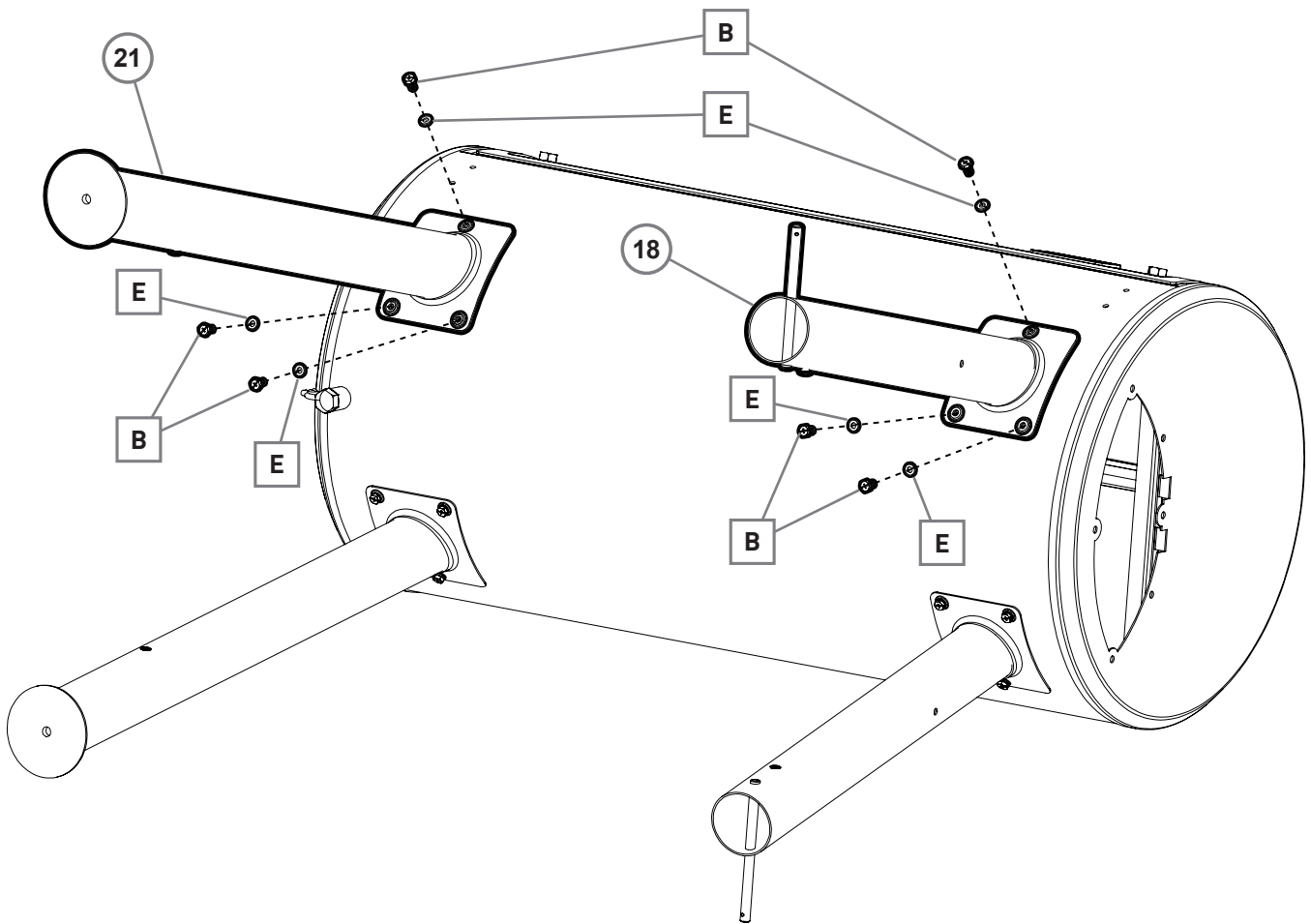


PASO 1



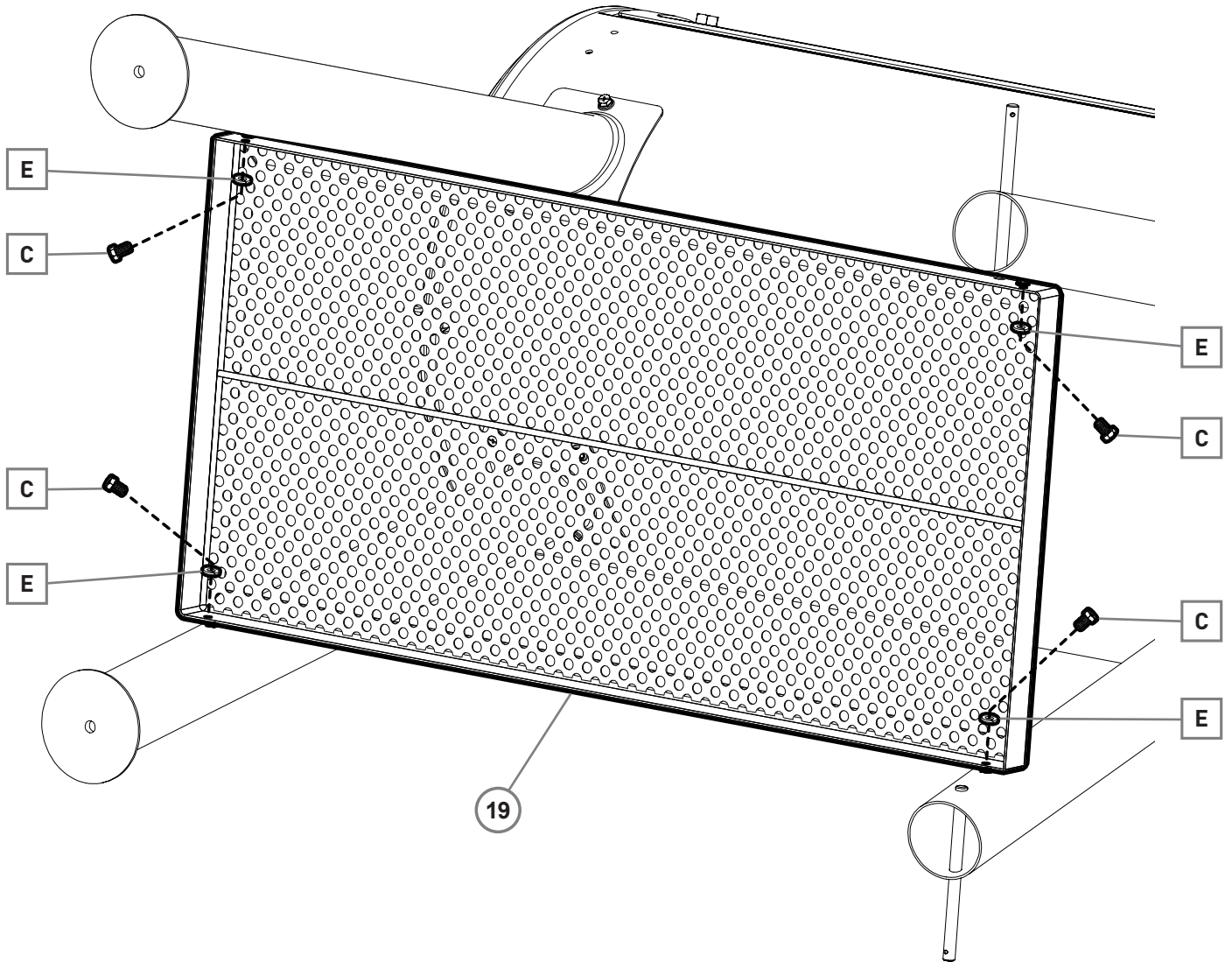
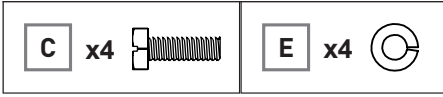
PASO 2

B x6 	E x6 
---	---

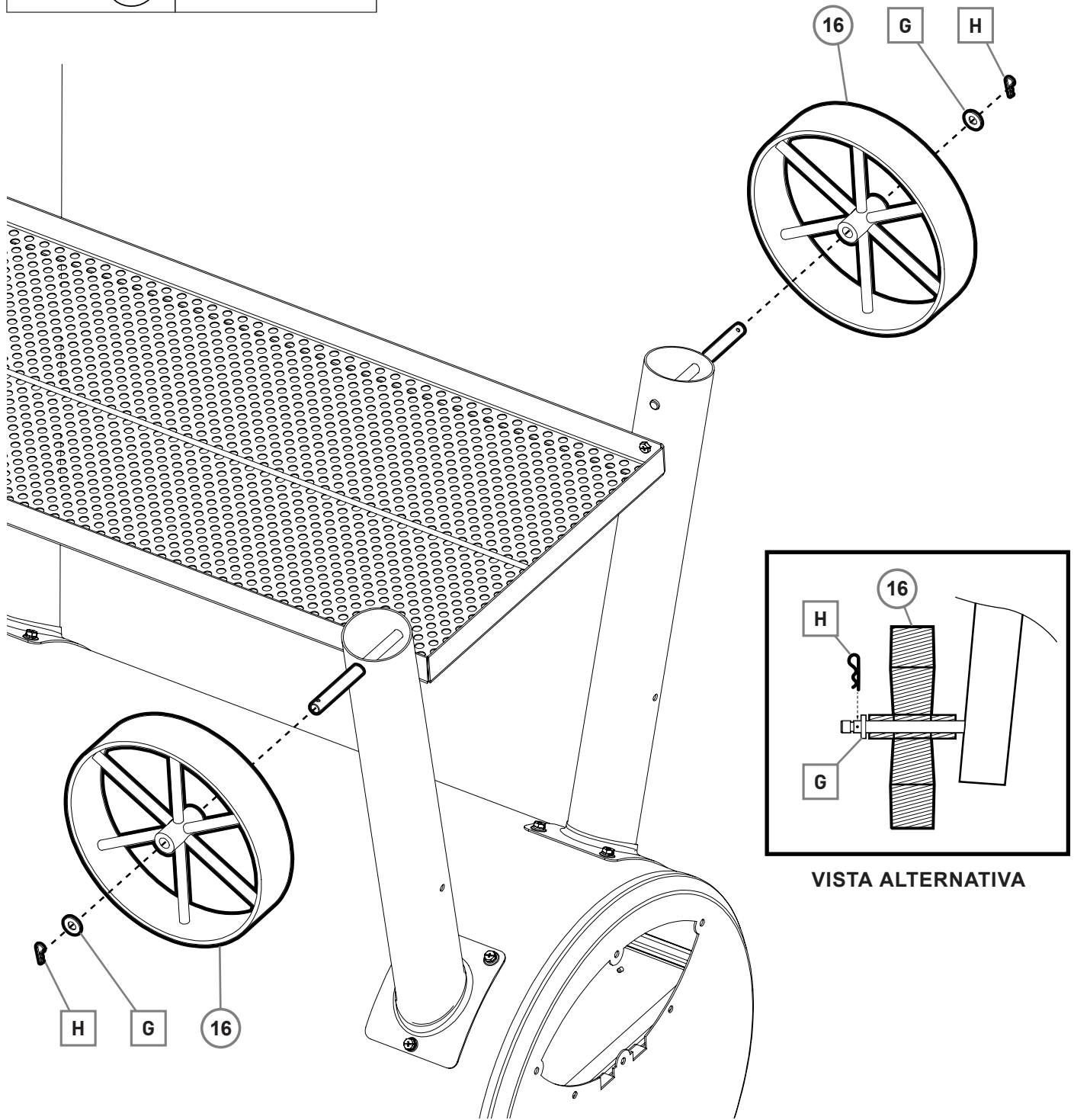




PASO 3

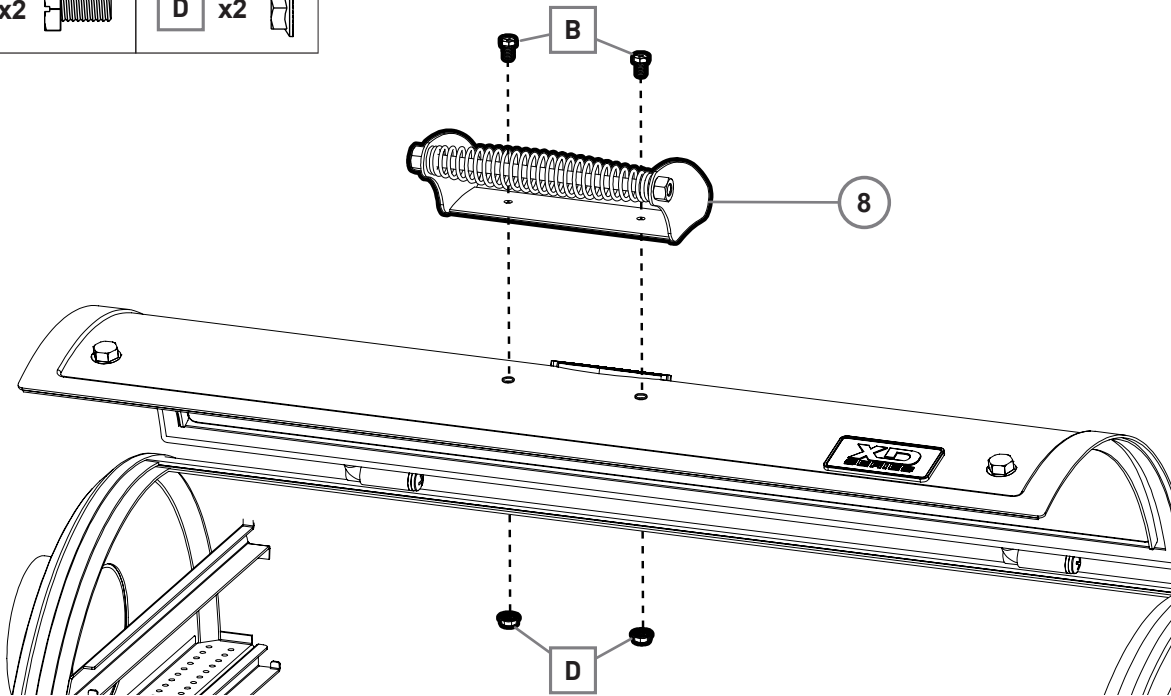
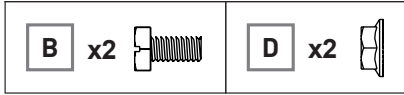


PASO 4

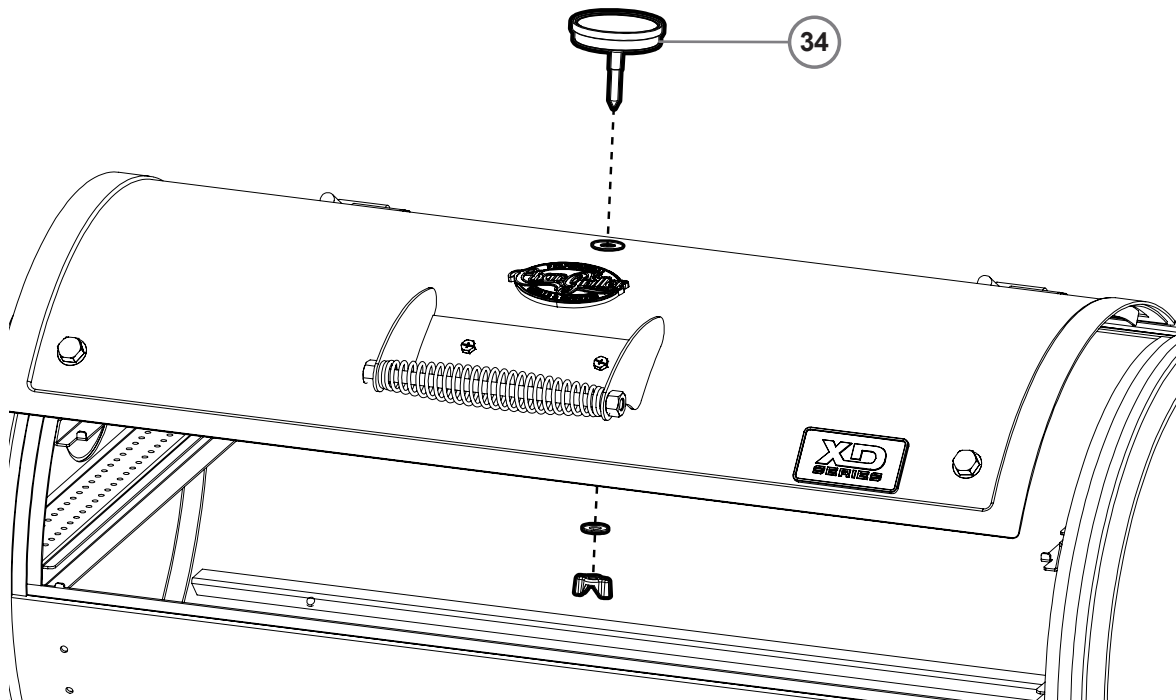




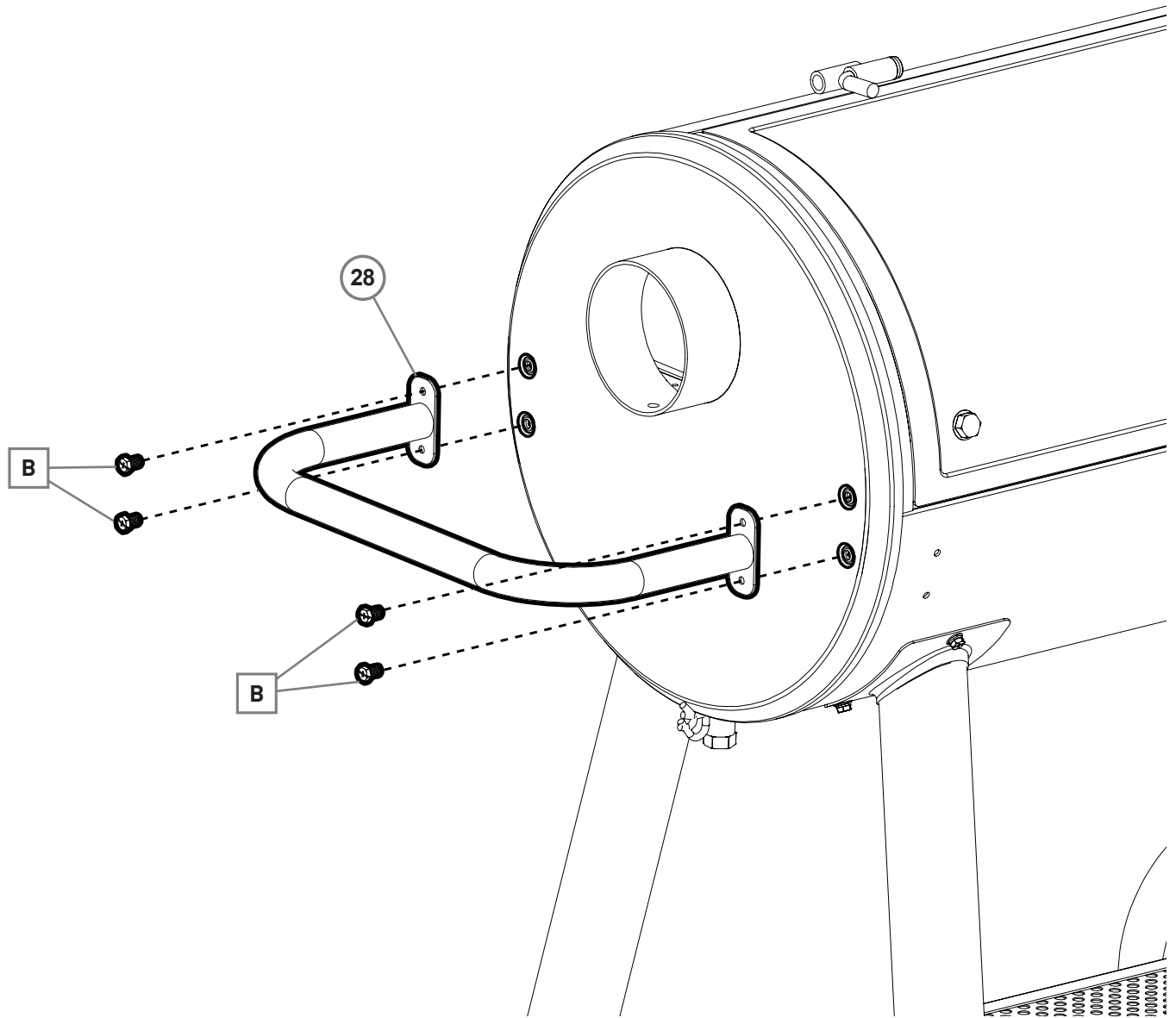
PASO 5



PASO 6

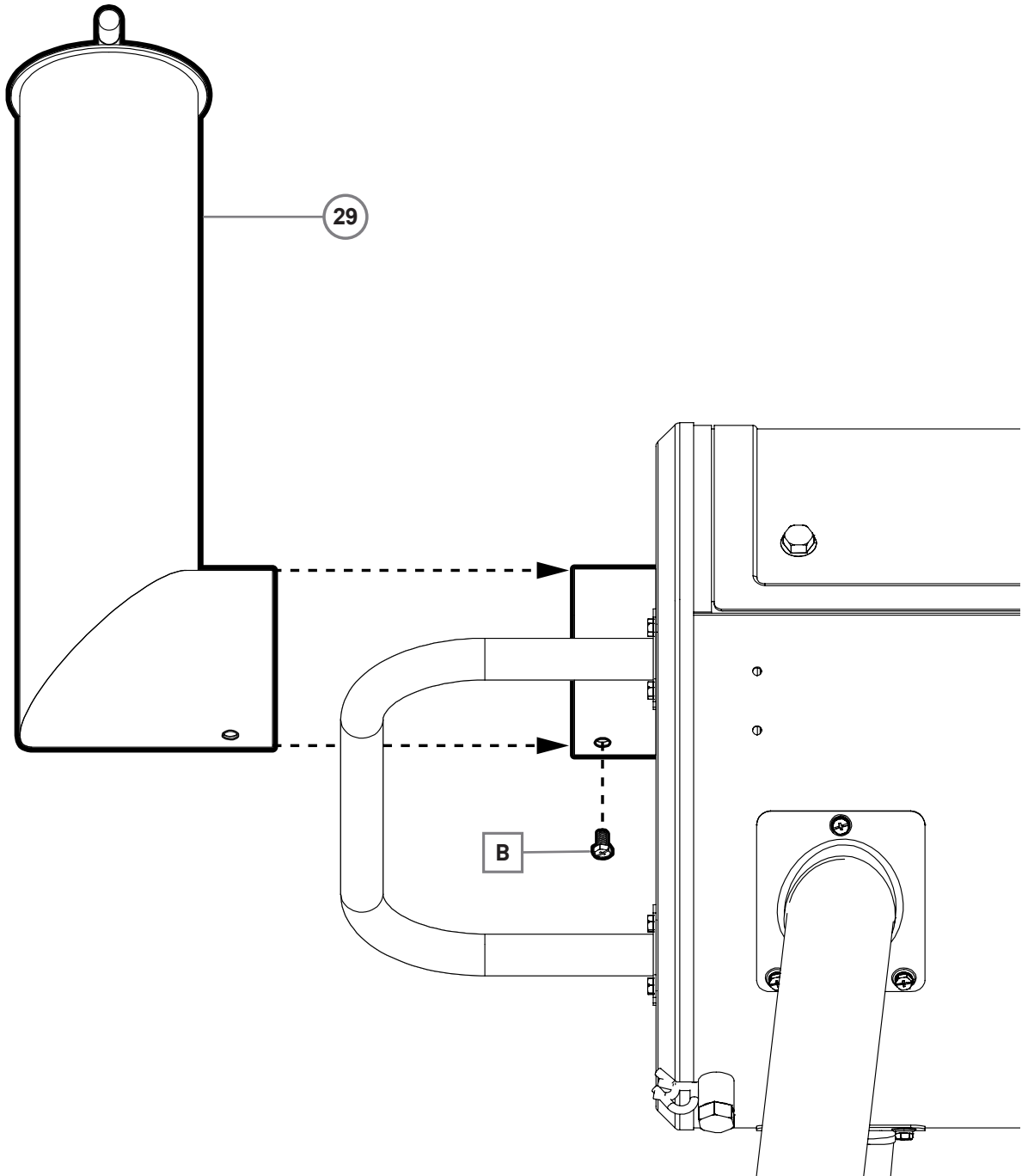
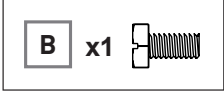


PASO 7





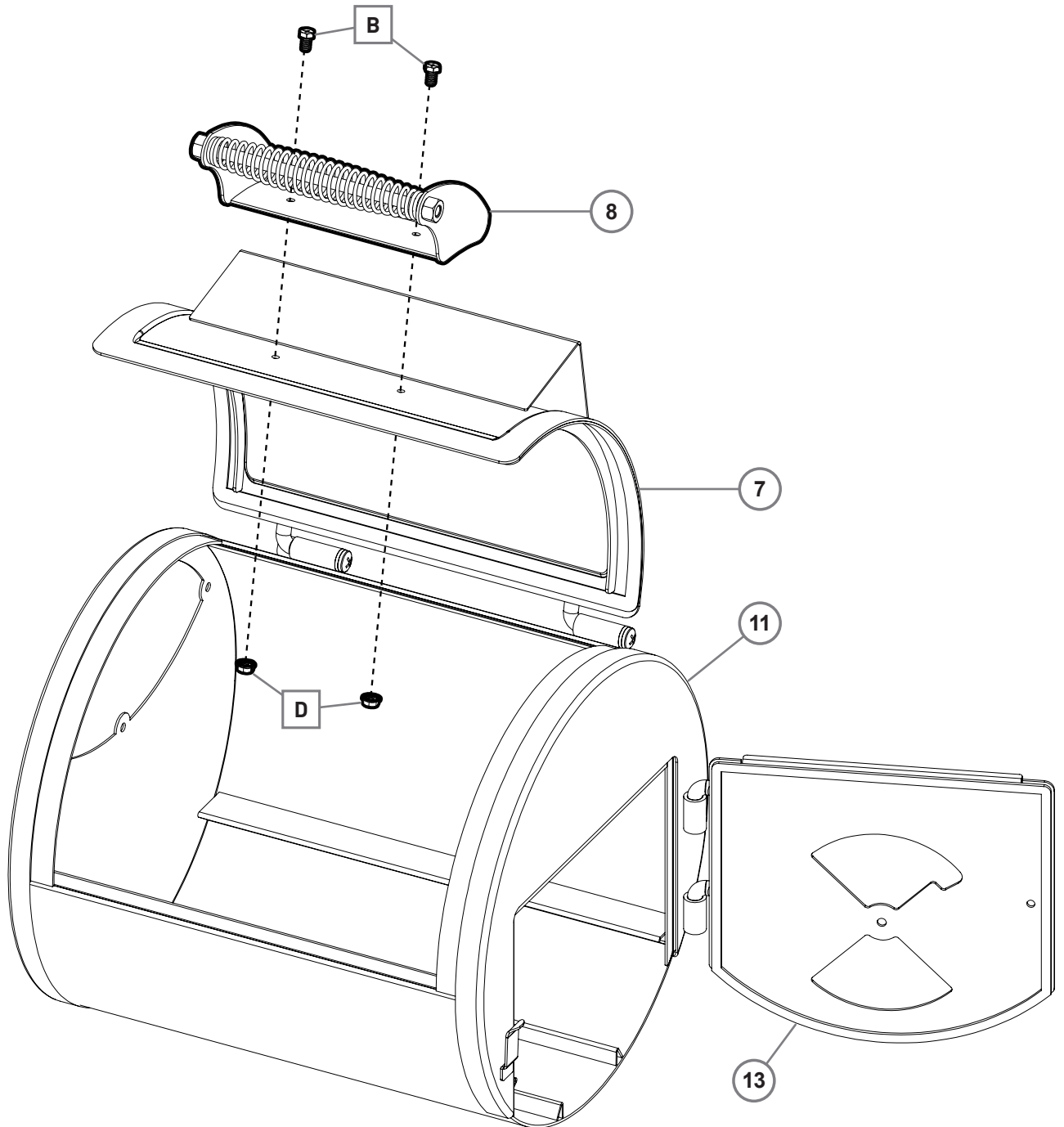


PASO 8



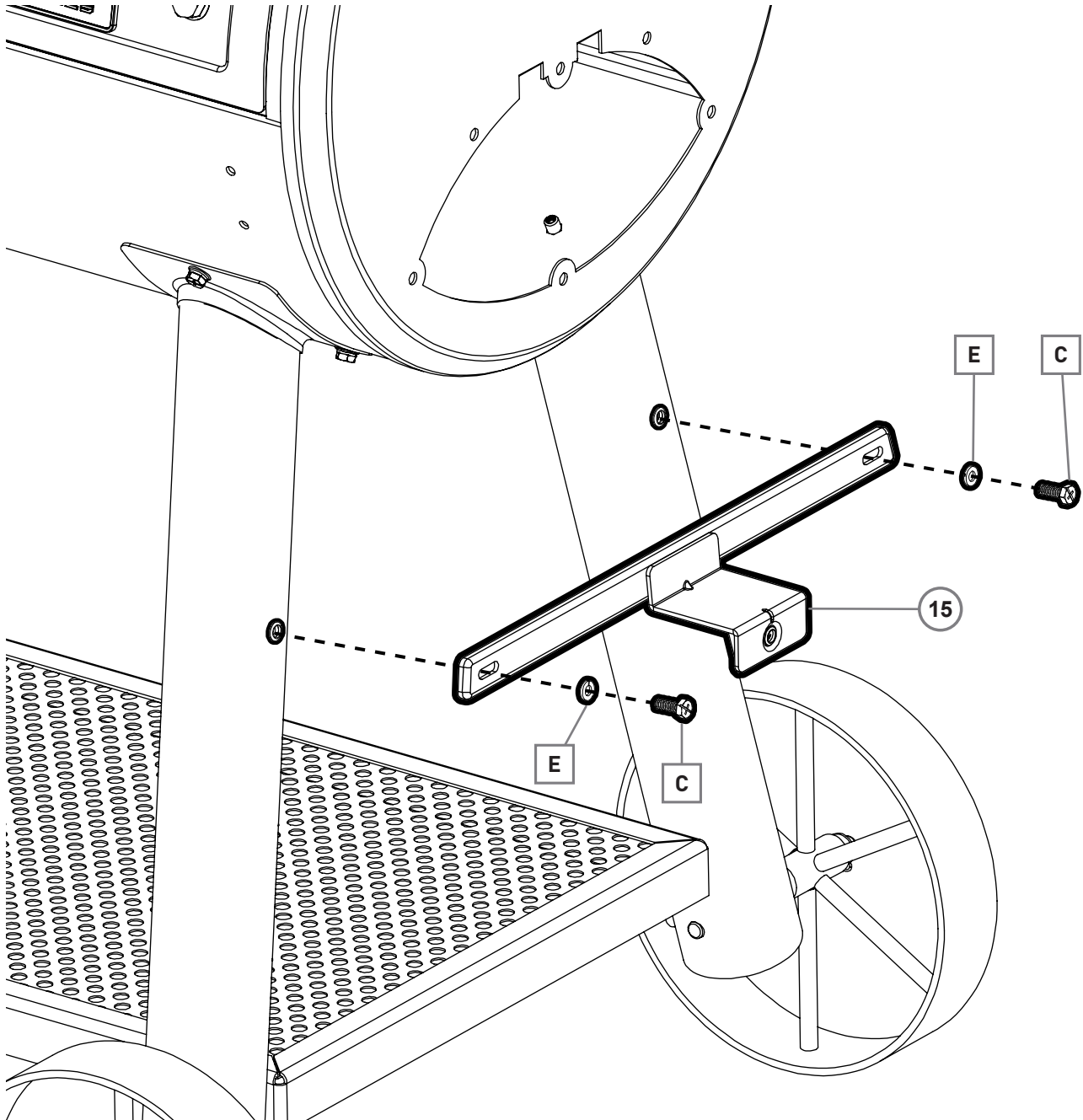
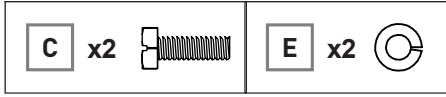
PASO 9

B x2 	D x2 
--	--







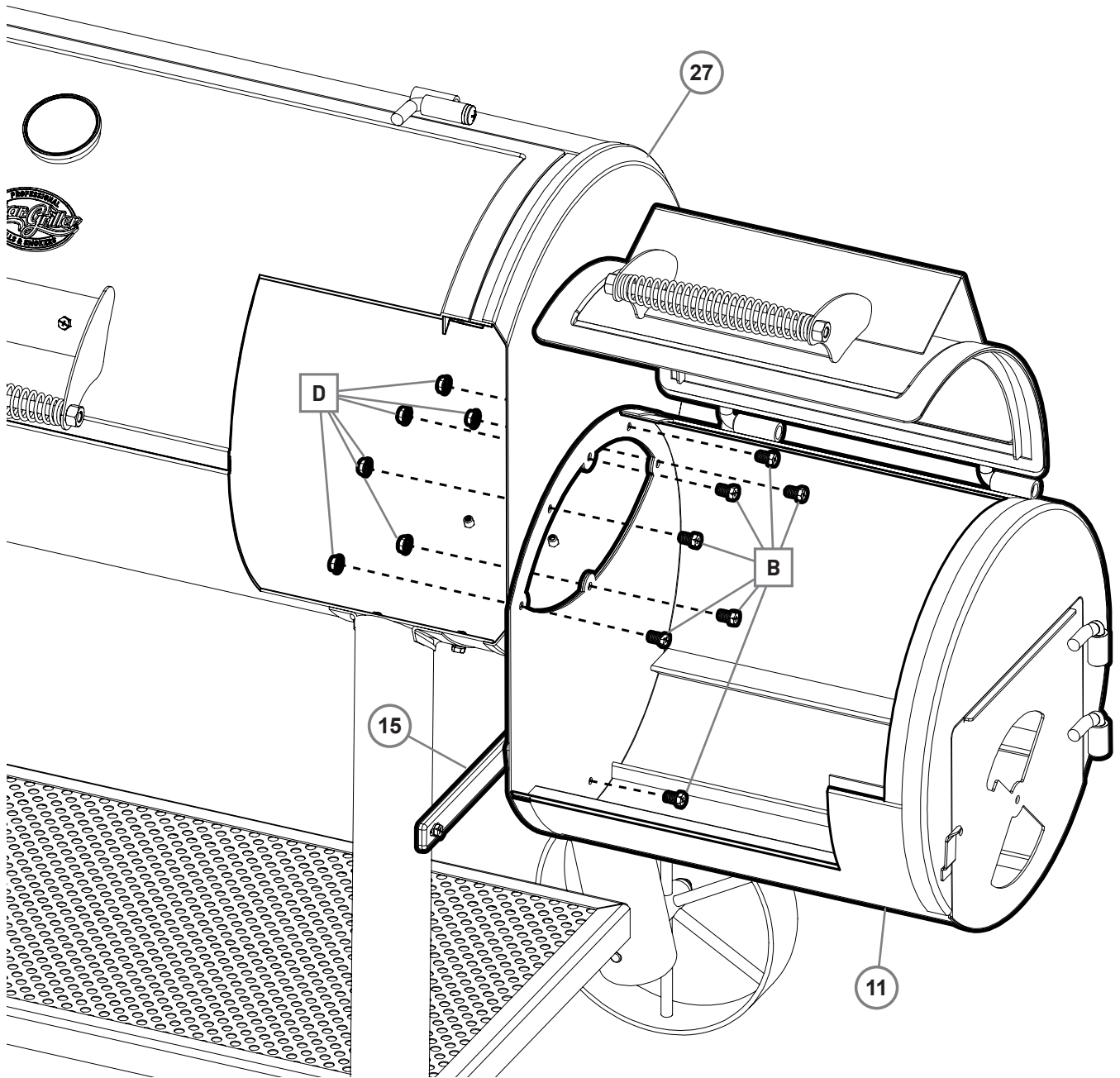
PASO 10



PASO 11

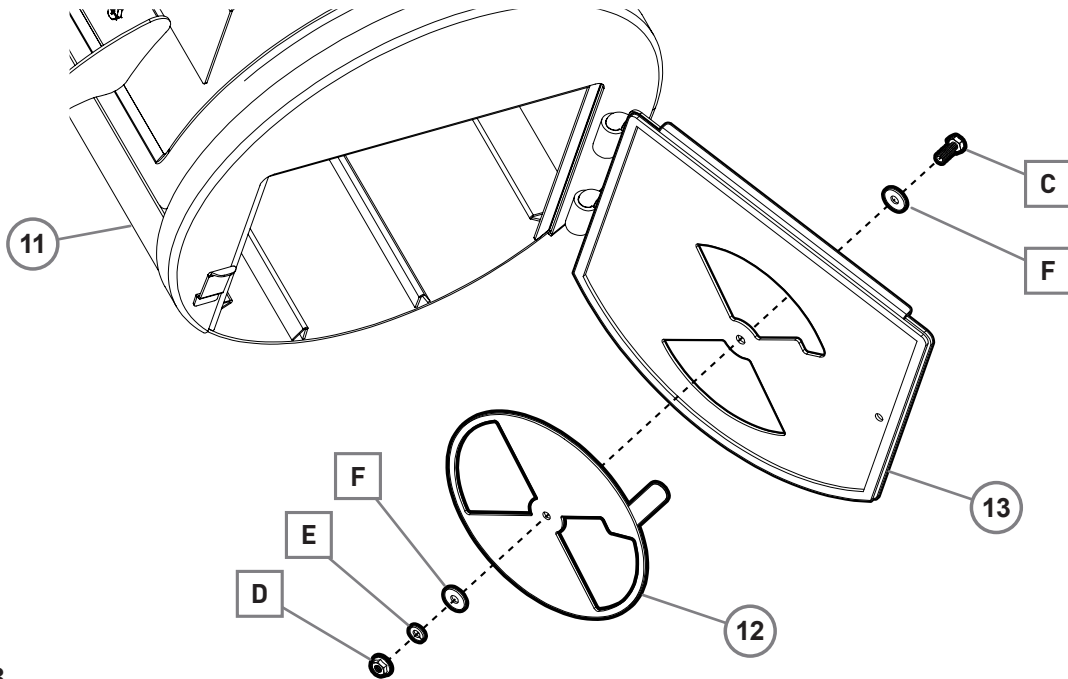
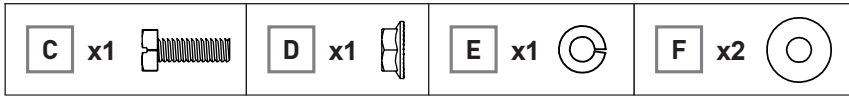
B x7 	D x6 
--	--

VISTA INTERIOR

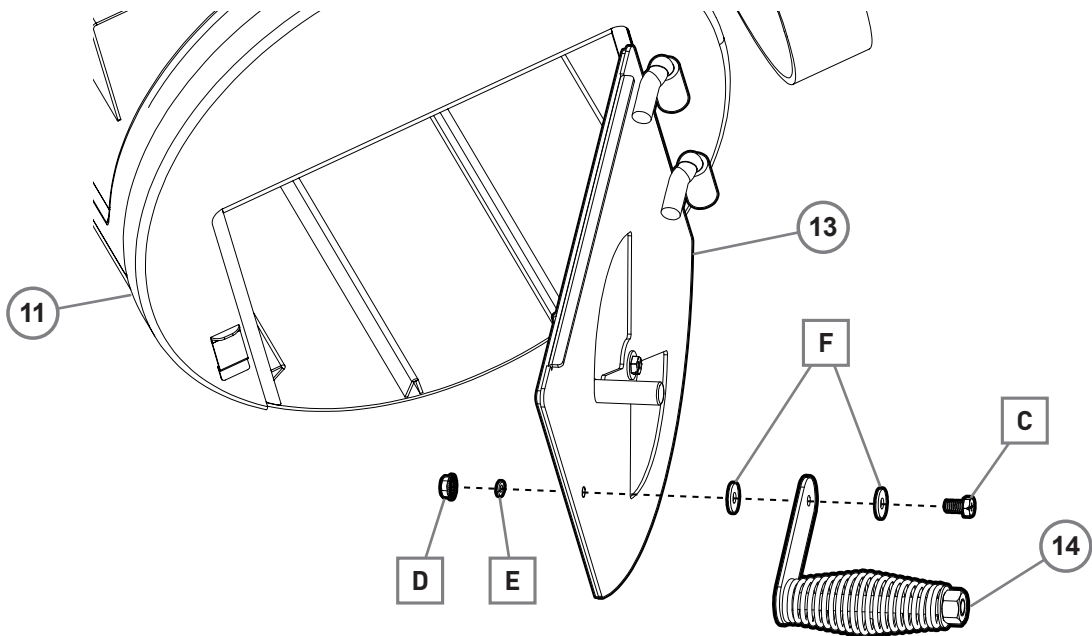
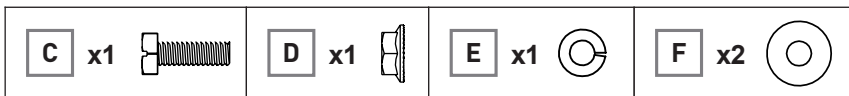




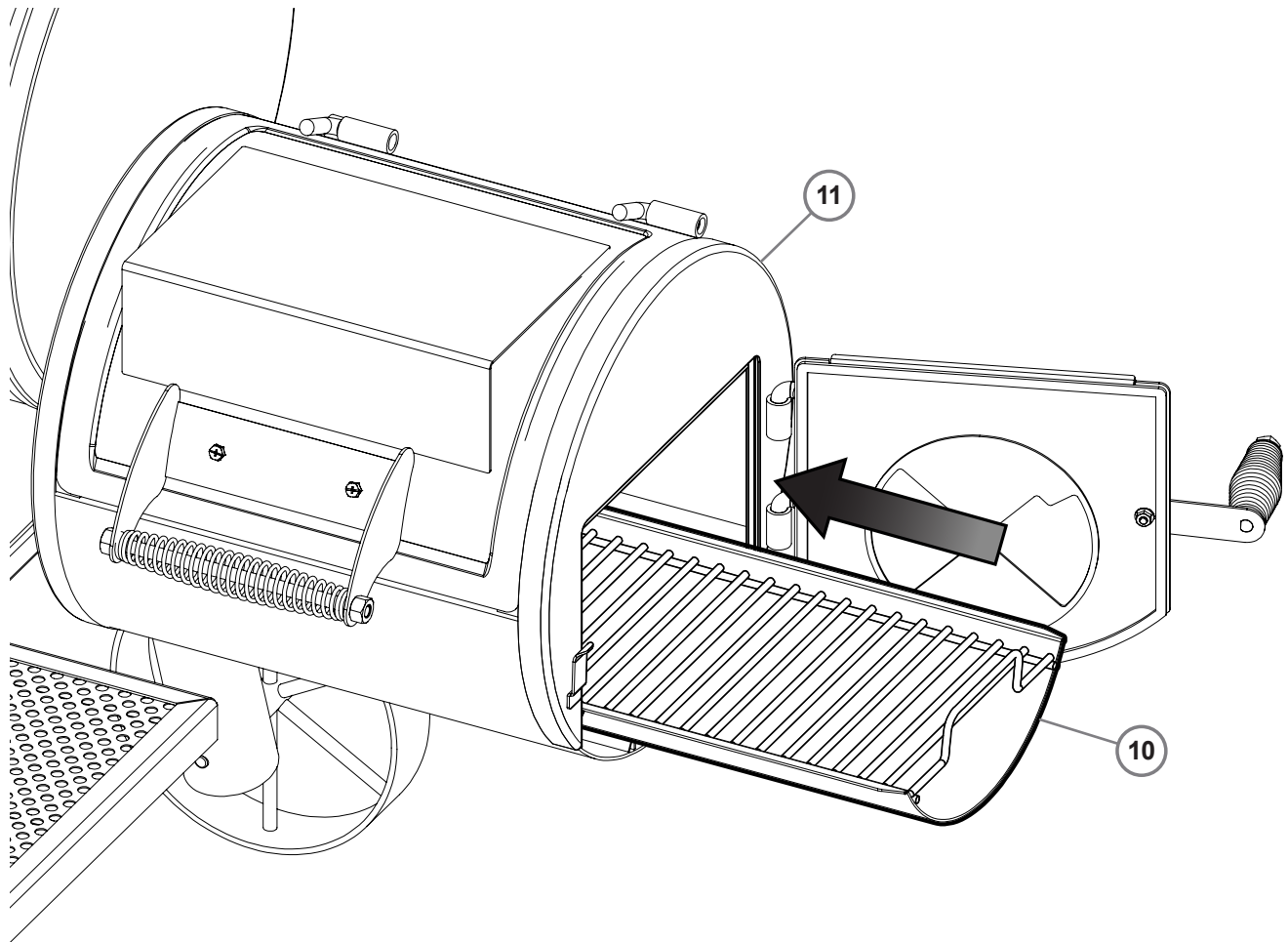
PASO 12A



PASO 12B

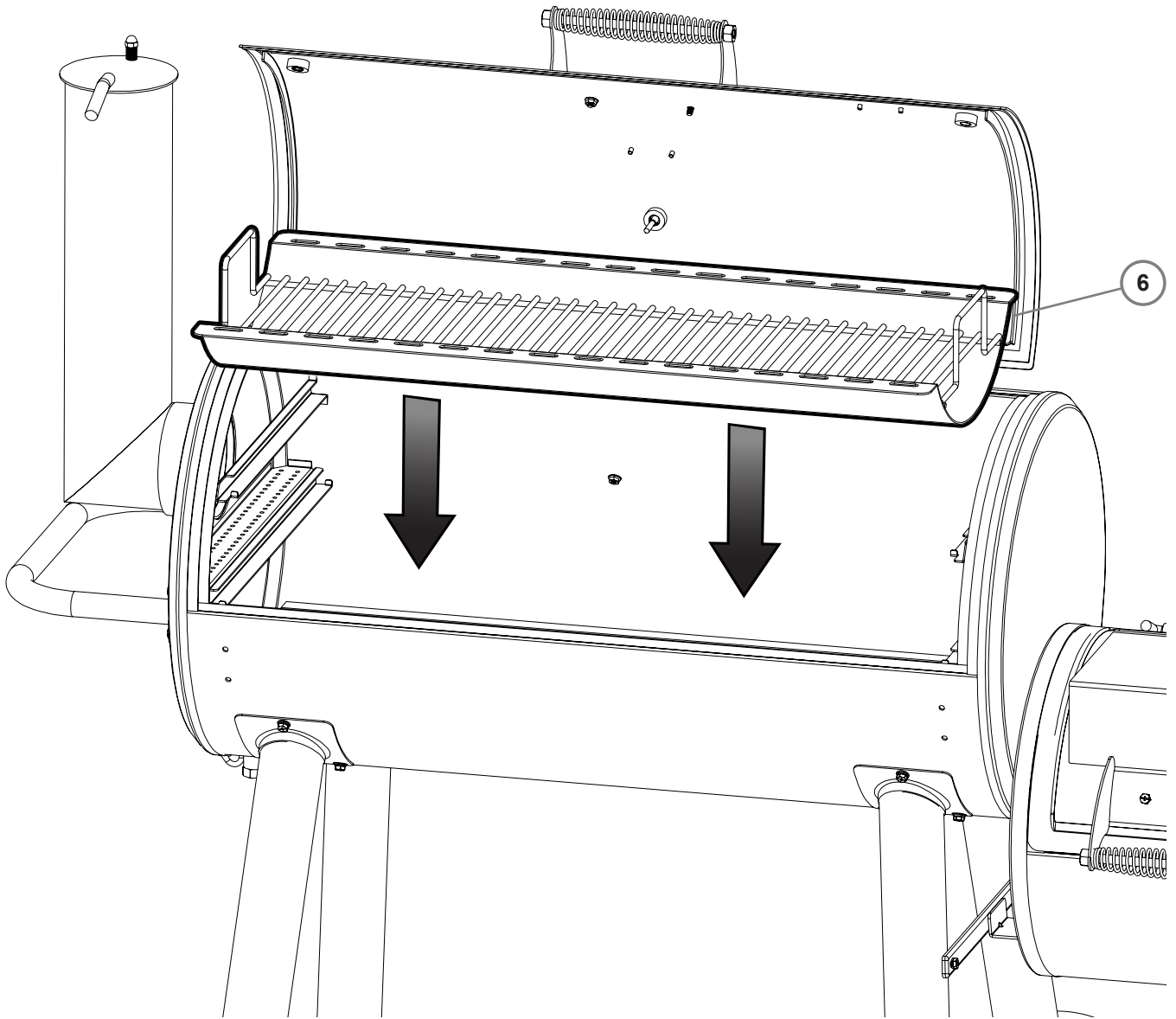


PASO 13

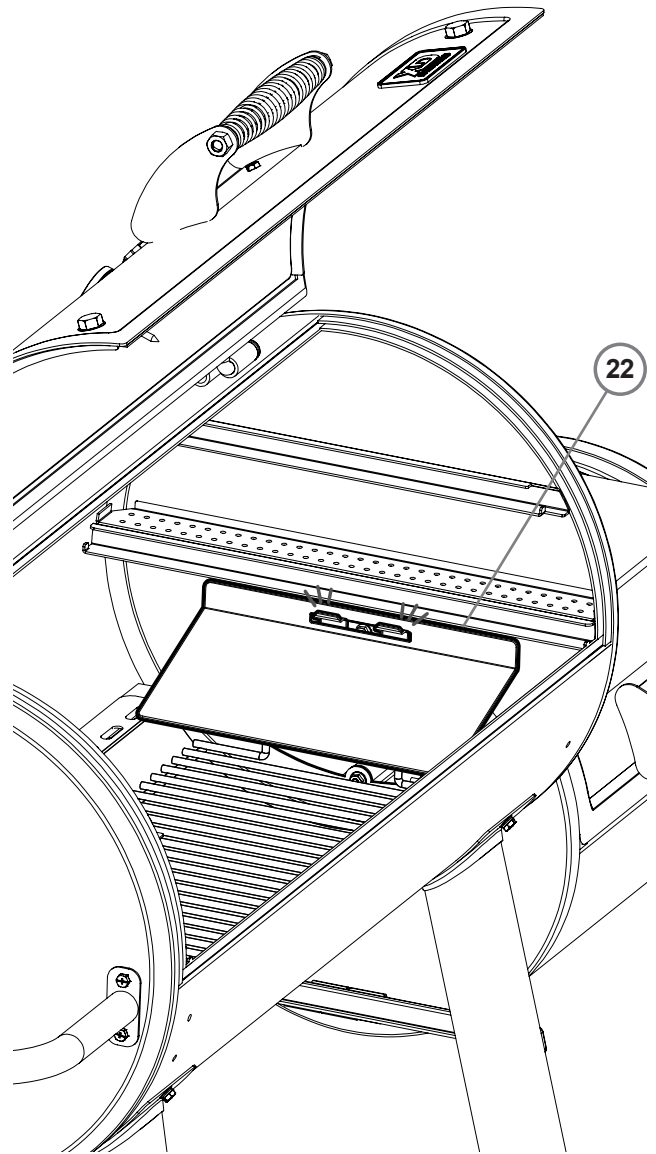
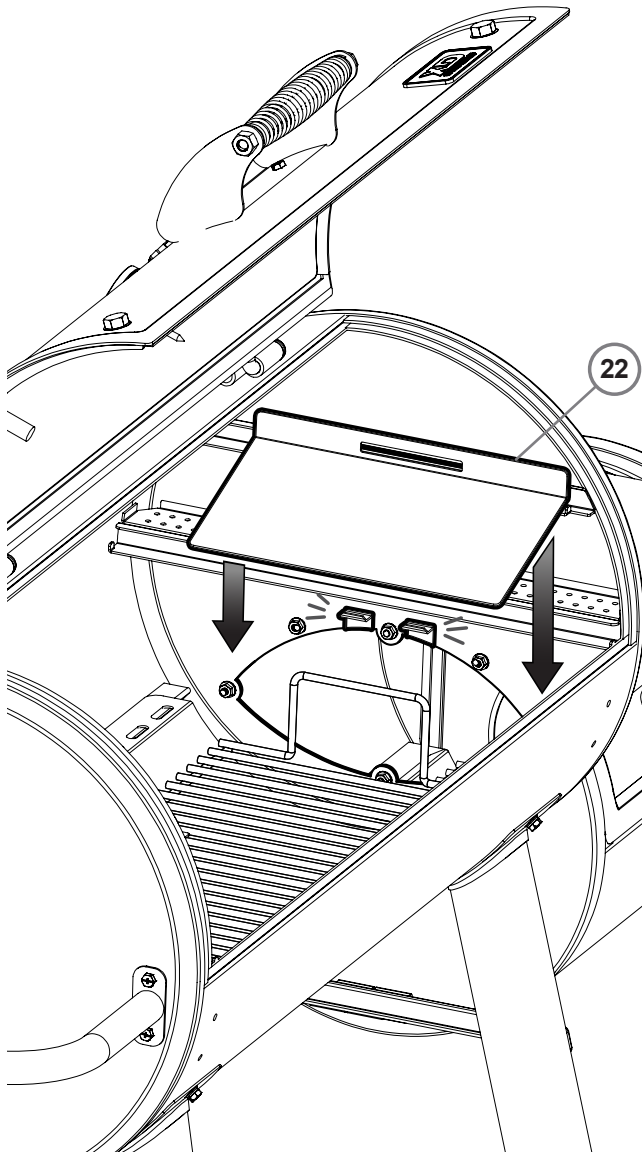




PASO 14

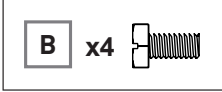


PASO 15

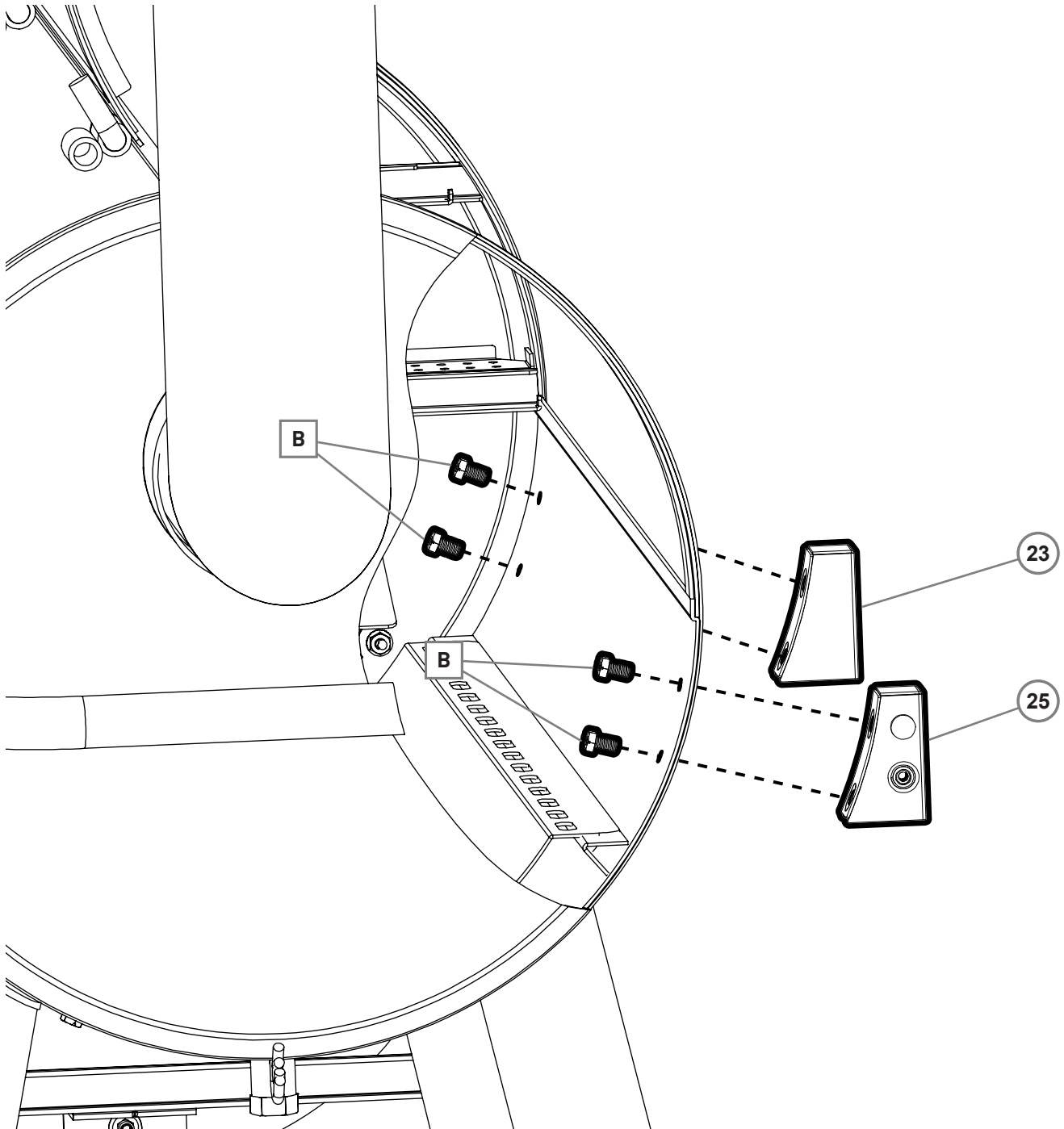




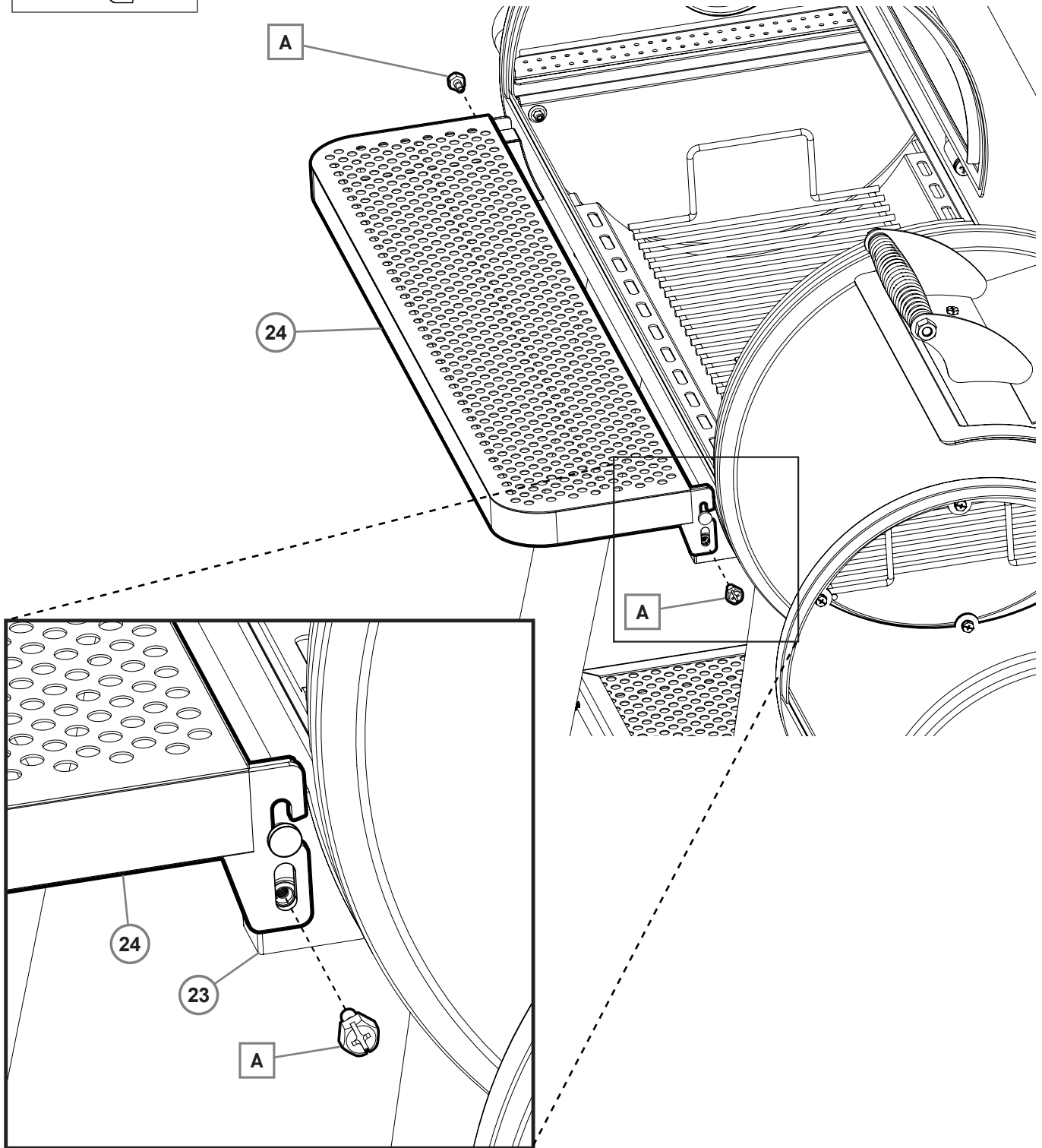
PASO 16



VISTA INTERIOR

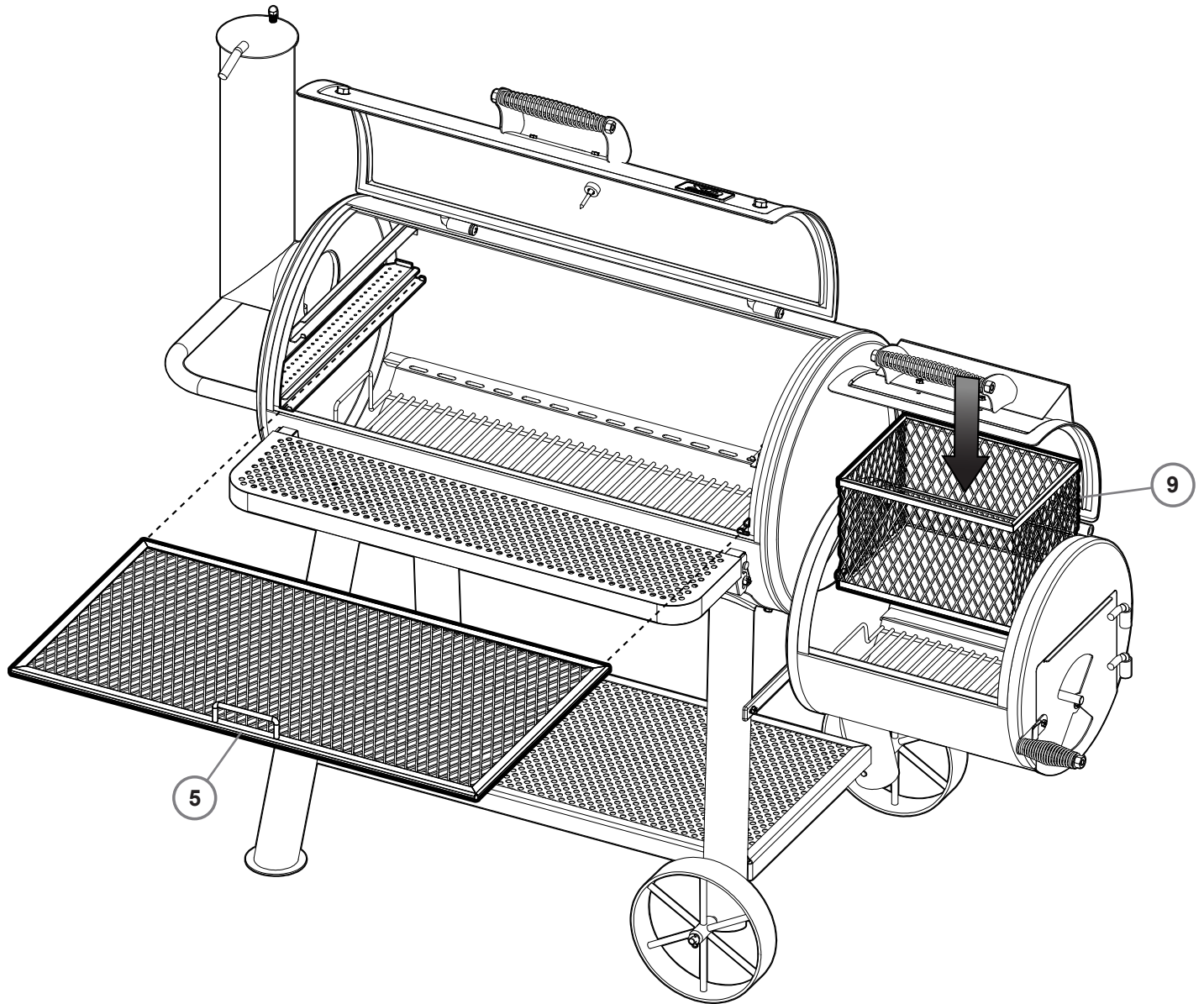


PASO 17

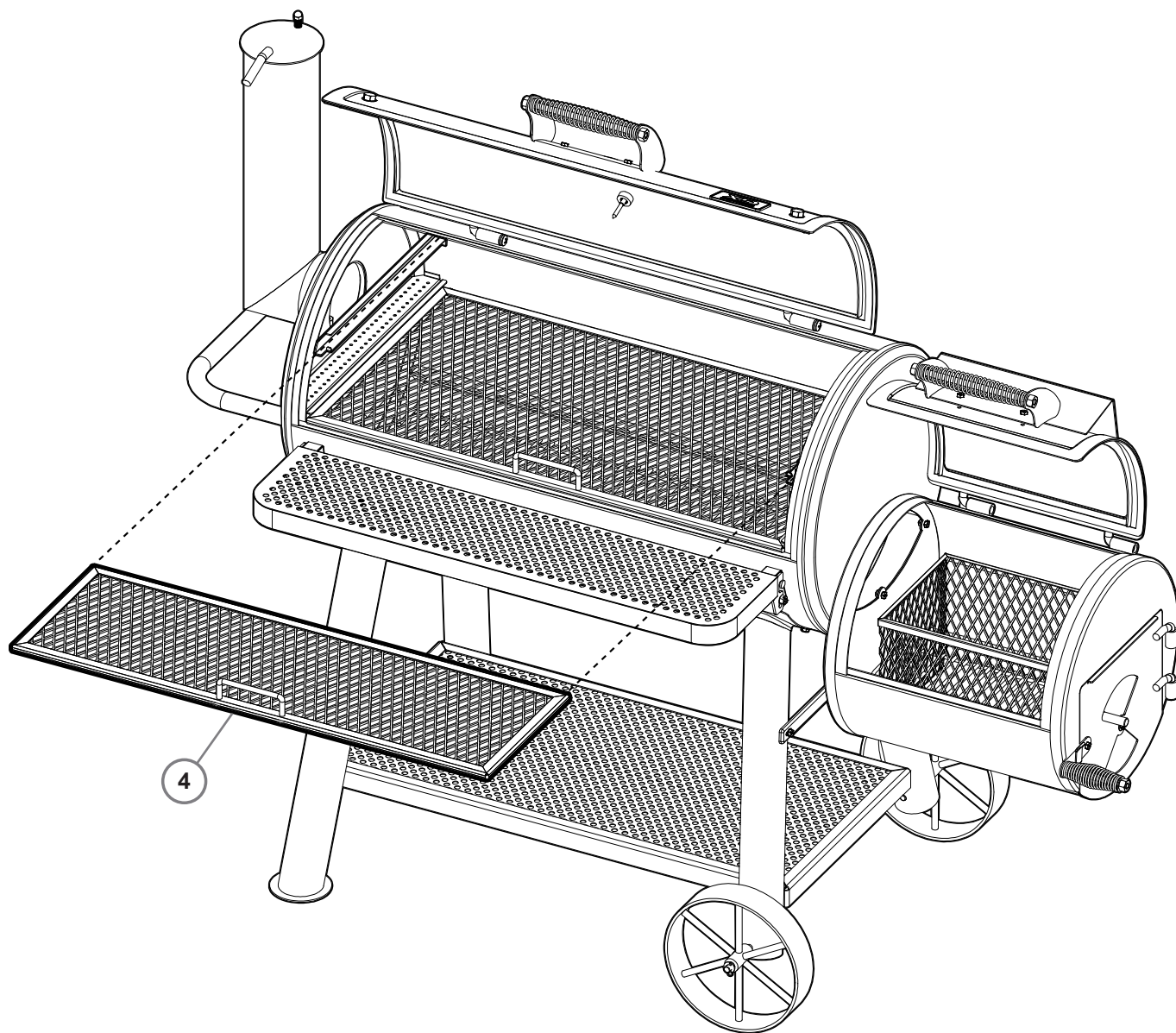




PASO 18

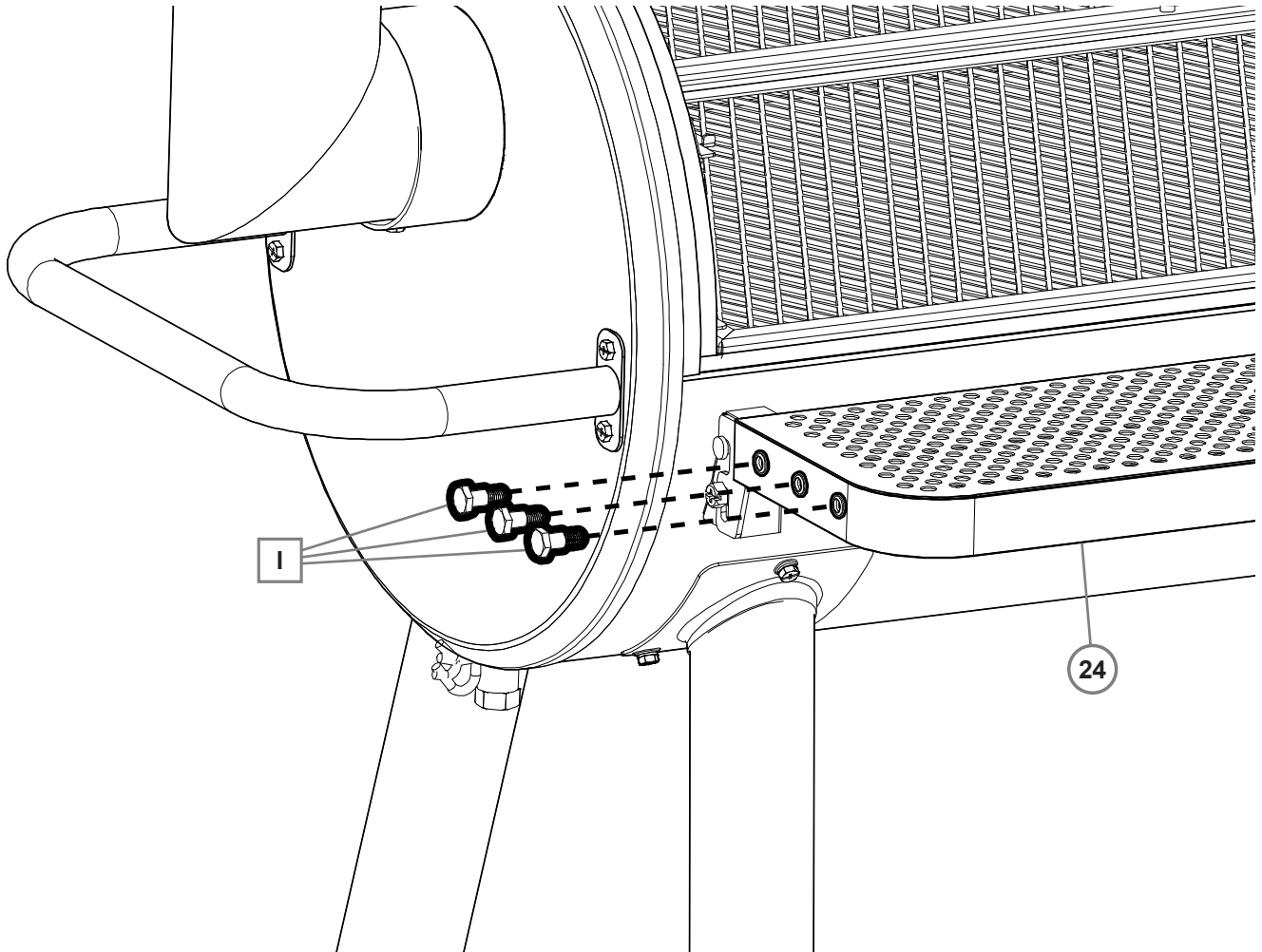
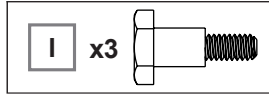


PASO 19





PASO 20



PASO 21

Para garantizar un montaje resistente, apriete todas las TUERCAS y PERNOS.

TOTALMENTE ENSAMBLADA



INSTRUCCIONES OPERATIVAS

Instalación Del Equipo

Esta parrillera está diseñada para el uso en exteriores, lejos de cualquier material inflamable. Es importante que no exista ninguna obstrucción arriba del equipo y que se mantenga una distancia mínima de 12 pies (~4 m) desde la parte lateral o trasera de la parrillera. Es importante que las aperturas de ventilación de la parrillera no sean obstruidas.

La parrillera debe ser usada en una superficie nivelada y estable. La parrillera debe ser protegida de las corrientes de viento directas y de cualquier goteo de agua (lluvia o agua residual de canaletas). No mueva la parrillera mientras esté caliente y no la deje sin supervisión durante su operación.

NUNCA EXCEDA LOS 350 °F. ESTO DAÑARÍA EL ACABADO Y CONTRIBUIRÍA A LA OXIDACIÓN DEL EQUIPO. LA PINTURA NO ESTÁ CUBIERTA POR LA GARANTÍA Y REQUERIRÁ DE RETOQUES. ESTA UNIDAD NO TIENE GARANTÍA CONTRA LA OXIDACIÓN.



4 METROS
(~12 PIES)





Instrucciones De Encendido

Existen varios métodos para encender su parrillera a carbón, dependiendo del tipo de material que prefiera usar. La chimenea de encendido a carbón es el método de encendido preferido de Char-Griller® debido a su rapidez y practicidad pero encender carbón en trozos o briquetas directamente en la parrillera también es un excelente método de encendido.

Chimenea De Encendido A Carbón

1. Retire las rejillas de la parrillera y colóquelas a un lado
2. Llene su chimenea de encendido a carbón con briquetas o carbón en trozos hasta alcanzar $\frac{3}{4}$ de su capacidad
3. Coloque el encendedor en la rejilla de carbón, encienda y luego posicione la chimenea de encendido a carbón directamente sobre el encendedor
4. La brasa se encenderá en dirección ascendente, de abajo a arriba
5. Después de que las brasas en la parte superior de la chimenea se enciendan (usualmente en unos 10-15 minutos), vierta las brasas sobre la rejilla de carbón y coloque nuevamente las rejillas de la parrillera



Encendedores

1. Retire las rejillas de la parrillera y colóquelas a un lado
2. Vierta aproximadamente 3 libras (aproximadamente 50 a 60 briquetas) de carbón directamente sobre la rejilla de carbón y apílelo
3. Inserte el encendedor en el medio de la pila de carbón, de modo que esté ligeramente cubierta y enciéndala
4. Una vez que el carbón se haya encendido por completo, generalmente cuando esté de color rojo o gris, use las pinzas para moverlo de lado al otro y coloque las rejillas de la parrillera



NOTA:

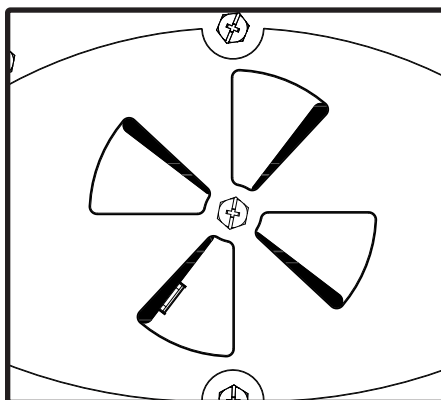
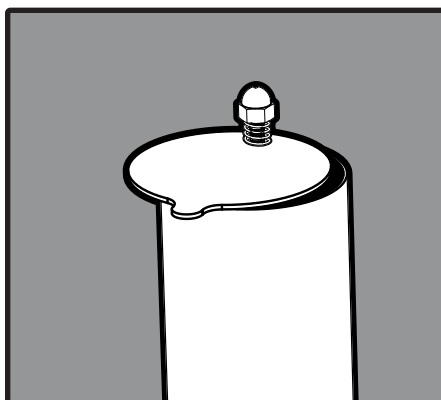
- No use fluido de encendido, gasolina, querosén, alcohol u otro acelerador para encender el carbón, debido a la inflamabilidad, el riesgo de lesiones corporales y la posibilidad de dejar un sabor desagradable en su comida.
- Si es necesario, utilice pinzas para mover las brasas para obtener un fuego uniforme.
- Siempre utilice guantes para manejar las rejillas de la parrillera, la rejilla del carbón o para mover las brasas.

Controlando La Temperatura

El control de la temperatura de su parrillera se basa en el control del flujo del aire que llega al fuego. MÁS AIRE = MÁS FUEGO. MENOS AIRE = MENOS FUEGO. Al abrir y cerrar la compuerta superior y las compuertas laterales, puede controlar fácilmente la temperatura de su parrillera. La cantidad de carbón durante el asado también puede influir significativamente en su capacidad de control de temperatura. Durante la cocción, puede ser necesario ajustar las compuertas para responder ante cualquier cambio en el tiempo meteorológico como vientos o variaciones del combustible. Cuando aprenda a operar su parrillera, use siempre la misma cantidad de carbón para que conozca cómo controlar las compuertas de su parrillera.

AHUMADO

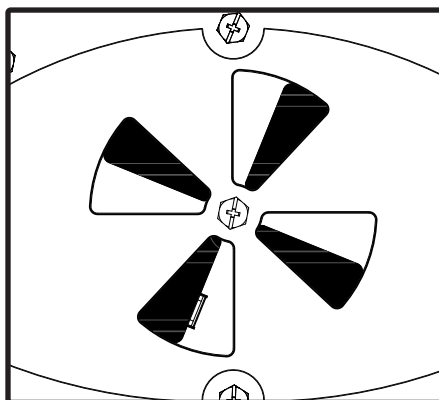
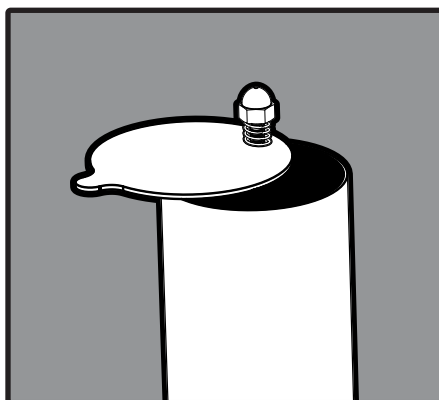
150°-250°F



- Comience ajustando la apertura de las compuertas a una apertura igual o menor a 1/4 y ajuste durante la cocción, según sea necesario.
- Para obtener mejores resultados, comience con no más de 2 libras de carbón (30 a 40 briquetas) y/o madera de combustible
- Ajuste la rejilla de carbón a la posición más baja o alejada de las rejillas de cocción

ASADO A LA PARRILLA

300°-350°F



- Controle el flujo de aire, según sea necesario, ajustando la apertura de las compuertas entre 1/3 a 2/3.
- Para obtener mejores resultados, comiencen con no más de 2 libras de carbón (30 a 40 briquetas)
- Coloque los carbones en una mitad de la rejilla de carbón: ajuste la rejilla de carbón a la posición media.



Curando Su Parrillera

Curar la parrilla es un paso importante que llevar a cabo antes de comenzar a cocinar en su nueva parrillera. Este proceso ayudará a proteger el acabado interior y exterior de la parrillera, reducirá la cantidad de alimentos pegados a las rejillas, reducirá los sabores poco naturales y ayudará a evitar la oxidación de las rejillas. Char-Griller® recomienda el uso de aceite de linaza para curar su parrillera, pero la mayoría de los aceites de grado alimenticio (canola, semilla de uva, vegetal, cártamo, etc.) funcionarán.



PASO 1 CUBRA LIGERAMENTE CON ACEITE

1. Las parrilleras Char-Griller® están cubiertas con aceite vegetal. Si es la primera vez que cura a su parrillera, pase al **Paso 2**.
2. Si está volviendo a curar su parrillera, cubra ligeramente **TODAS** las superficies interiores (incluyendo rejillas e interior del barril) de su parrillera con aceite de linaza u otro aceite vegetal.

PASO 2 CALIENTE LA PARRILLERA

1. Siga las instrucciones para encender su carbón (página C-2) y controlar la temperatura (página C-6) y lleve su parrillera a una temperatura aproximada de 350 °F.
2. Una vez que alcance la temperatura, permita que las superficies de la parrillera se curen durante 20 minutos.

PASO 3 VUELVA A APLICAR ACEITE A LAS REJILLAS (REPITA 5 VECES)

1. Después de 20 minutos, abra su parrillera y retire cuidadosamente las rejillas con un levantador de rejillas.
2. Vuelva a aplicar aceite de linaza u otro aceite vegetal sobre ambas caras de las rejillas y vuévalas a colocar dentro de la parrillera.
3. Cierre la tapa y permita que las superficies se curen durante 20 minutos
4. Repita este procedimiento hasta cinco veces (agregue más carbón para mantener la temperatura, según sea necesario).
5. Su parrillera está lista para ser utilizada.

NOTA:

- Usted puede cubrir ligeramente el exterior del cuerpo de la parrillera (mientras está caliente) con aceite vegetal. Esto extenderá la vida útil del acabado, similar a cuando pule un carro.

Estilos De Parrilla O Asado

Su parrillera Char-Griller® puede ser usada para ahumar, asar o sellar su comida. Al usar las zonas de temperatura, carbón y sabor a madera, puede personalizar la experiencia culinaria a su gusto. Las siguientes descripción le explican las cuatro formas más comunes en que puede cocinar con su parrillera a carbón Char-Griller®.

Asado A La Parrilla

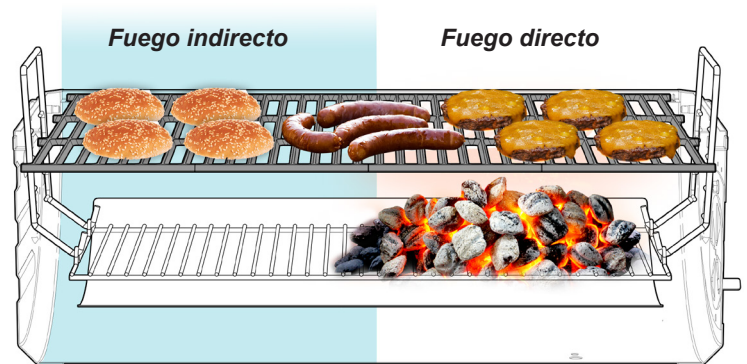
Cocine con fuego directo e indirecto a temperaturas medias (300 °F a 350 °F). Utilice una configuración de dos zonas para cocinar a diferentes velocidades y temperaturas.

1. Ajuste la rejilla de carbón a la posición media (entre las rejillas y el cuerpo de la parrillera) usando el soporte de bandejas de carbón ajustable.
2. Prepare hasta 2 libras (aproximadamente 30 a 40 briquetas) de carbón encendido, repartiéndolo equitativamente en una MITAD de la rejilla de carbón, creando dos zonas de cocción.
3. Una vez que la parrillera se encuentre a la temperatura deseada, puede empezar a cocinar. Primero coloque los alimentos sobre el fuego directo, cocinando cada lado según su preferencia. Luego de la cocción inicial sobre fuego directo, mueva los alimentos a la zona fría (vea la foto a la derecha) para llevar sus alimentos a la temperatura interna deseada.

ASADO (FUEGO DIRECTO) - 300° - 350°F

Hasta 2 libras de carbón (30 a 40 briquetas)

Rejilla de carbón ajustada a la posición media



4. NOTA: Puede usar virutas y trozos de madera o troncos cortados, adicionales al carbón, para agregar el sabor ahumado deseado.



Ahumado

Cocine con fuego indirecto a bajas temperaturas (150°F a 250°F). Use virutas, trozos, pellets de madera o troncos cortados para agregar el sabor ahumado

1. Ajuste la rejilla de carbón a la posición baja (posición más alejada de las rejillas de la parrillera) usando el soporte de bandejas de carbón ajustable.
2. Prepare hasta 2 libras (aproximadamente 30 a 40 briquetas) de carbón, repartiéndolo equitativamente en una MITAD de la rejilla de carbón, creando dos zonas de cocción.
3. Agregue virutas, trozos de madera o troncos cortados para agregar el sabor ahumado deseado
4. Una vez que la parrillera se encuentre a la temperatura deseada, puede empezar a cocinar
5. Mantenga la comida sobre el lado más frío con fuego indirecto durante toda la cocción.

AHUMADO (FUEGO INDIRECTO) - 150°-250°F

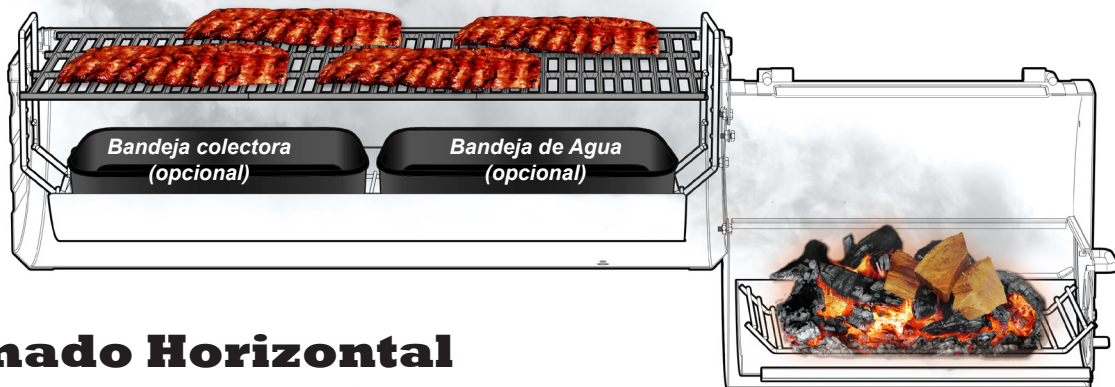
Hasta 2 libras de carbón (30 a 40 briquetas)
Rejilla de carbón ajustada a la posición baja o la posición más alejada de las rejillas de cocción



6. NOTA: Abrir la cámara de ahumado extenderá el tiempo de cocción.

AHUMADO HORIZONTAL (FUEGO INDIRECTO) - 150-250°F

Hasta 2 libras de carbón (30 a 40 briquetas)
y/o madera como combustible en la parrillera lateral



Ahumado Horizontal

Cocine con fuego indirecto de la parrillera lateral a bajas temperaturas (150 °F a 250 °F). Use virutas, trozos, pellets de madera o troncos cortados para agregar el sabor ahumado.

1. Prepare hasta 2 libras (aproximadamente 30 a 40 briquetas) de carbón en la parrillera lateral.
2. Agregue virutas, trozos, pellets de madera o troncos cortados para agregar el sabor ahumado deseado.
3. Una vez que la parrillera se encuentre a la temperatura deseada, empiece a cocinar.
4. Los alimentos ubicados más cerca de la parrillera lateral se cocinarán más rápido que los alimentos ubicados en el lado opuesto de la parrillera lateral.
5. NOTA: Abrir la cámara de ahumado extenderá el tiempo de cocción.

Cuidado Y Mantenimiento

Para mantener la parrillera en condiciones óptimas, es importante mantenerla limpia y cuidada. El cuidado y limpieza continua son la clave para garantizar la larga vida útil de las parrilleras Char-Griller®. ¿Tiene alguna pregunta? ¡Llame, envíe un correo electrónico o chatee en línea con el departamento de atención al cliente de Char-Griller®!

FINALIZANDO



- Cuando termine de cocinar en la parrillera, limpie sus rejillas con el Raspador de rejillas de Char-Griller® y luego cubra ligeramente sus rejillas con aceite de linaza u otro aceite vegetal.
- Luego, cierre las dos compuertas y la tapa para que el fuego se apague.
- Espere a que las brasas y las cenizas se enfríen por completo antes de intentar limpiar la parrillera o remover los residuos

LIMPIEZA



- Espere que el fuego se haya extinguido por completo y la parrilla esté fría al tacto antes de vaciar las cenizas.
- Retire las rejillas de la parrillera con el levantador de rejillas.
- Retire la bandeja de cenizas de la parrillera.
- Golpee ligeramente la bandeja de cenizas para soltar cualquier ceniza que pueda permanecer pegada.
- Vierta las cenizas en un contenedor de metal y cubra con agua para garantizar que ninguna brasa está encendida; luego podrá eliminar las cenizas.

CUBIERTA



- Extienda la vida de su parrillera al usar una cubierta Char-Griller® a la medida para proteger a su parrillera de la intemperie.
- El material de poliéster resistente a la intemperie protege contra las aves, el polvo, el viento, la lluvia y la nieve.

**** SOLO VACÍE LAS CENIZAS MIENTRAS LA PARRILLERA NO SE USE Y ESTE FRÍA AL TACTO ****
IMPORTANTE: El carbón es poroso y conserva la humedad. NO deje carbón en su parrillera cuando no la utilice. El carbón y cenizas dejados en la bandeja de cenizas pueden reducir la vida útil de su parrillera.



Consejos Y Advertencias Generales Sobre La Parrillera

Controle la temperatura mediante la cantidad y tipo de combustible, las compuertas duales y la rejilla ajustable para combustible. Ajuste un extremo de la rejilla a la vez. La madera caliente más que el carbón. Un mayor flujo de aire equivale a una mayor temperatura.

Puede agregar carbón y/o leña para ahumar mientras cocine. Use guantes y delantal cuando opere su parrillera.

Solo use leñas naturales destinadas para la cocina. Generalmente, puede encontrar leña seleccionada en tiendas de comestibles y minoristas de artículos para parrillas al aire libre.

Si utiliza una bandeja de agua, revise el nivel del agua cuando cocina durante más de cuatro horas o cuando no puede escuchar el agua hervir. Agregue agua moviendo la carne hacia un lado y vertiendo el agua a la bandeja de agua a través de las rejillas de cocción.

Para reducir las llamaradas, cocine con la tapa cerrada.

Cuando cocine con carbón, deje la tapa de la parrillera abierta durante el encendido y hasta que las cenizas de las brasas se acumulen. La tapa de la parrillera debe permanecer abierta cada vez que el medidor de temperatura marca más de 350 °F.

Siempre coloque el carbón sobre la rejilla de carbón y no directamente en el fondo de la parrillera.

No use carbón instantáneo ya que le dará un sabor poco natural a la comida.

Las cenizas dejadas en el parrillera durante mucho tiempo absorberán la humedad y se oxidarán. Asegúrese de vaciar la bandeja de cenizas después de que la parrillera se ha enfriado. El hierro fundido y el acero sin cubrir se oxidarán si no se le da el cuidado adecuado.

En la PINTURA EXTERIOR, remueva el óxido con un cepillo de alambre y retoque con una pintura para altas temperaturas, disponible en la mayoría de las tiendas de herramientas/vehículos. Rustoleum® #241169 es el color de pintura más parecido.

El medidor de temperatura puede humedecerse, lo que causará que se empañe durante la cocción. Puede retirar el medidor y calibrarlo en el horno.

Para una parrillera más hermética, llene cualquier hueco no deseado con pernos y tuercas extras (no incluidos).

Coloque un recipiente metálico en el recipiente de grasa o en la repisa inferior debajo del agujero de la parrilla para recoger cualquier gota.

La chimenea y las compuertas laterales estarán calientes. Solo tóquelas usando guantes.

Antes de usar la parrillera por primera vez, debe curar las rejillas de cocción de hierro colado.

Luego de cada uso, cubra las rejillas internas y el metal desnudo con aceite vegetal, mientras estén calientes, para reducir la oxidación. El curado adecuado y regular protegerá la parrilla contra la oxidación y extenderá la vida de su parrillera y rejillas de cocción.

La parrillera goteará aceite durante el proceso de curado y durante los siguientes usos. Esto es normal.

Nunca exceda los 350 °F. Esto dañaría el acabado y contribuiría con la oxidación.












La pintura no está cubierta por la garantía y requerirá de retoques.


Esta parrillera no tiene garantía contra el óxido.










No use fluido de encendido, gasolina, querosén, alcohol u otro acelerador para encender el carbón. El uso de cualquiera de estos productos, o de productos similares, puede causar una explosión que posiblemente conlleve a graves lesiones.

NOTA: El humo puede escapar de áreas distintas a la chimenea de la parrillera. Eso no afectará la cocción. CHAR-GRILLER® NO ACEPTA DEVOLUCIONES DE PARRILLERAS USADAS.










Guía De Cocción

 RES	TIPO DE CALOR	NIVEL DE CALOR	TIEMPO DE COCCIÓN PROMEDIO
BISTEC DE FALDA, MEDIANO 1 PULGADA DE GROSOR			4 A 6 MINUTOS
SALCHICHA 4 ONZAS			5 A 7 MINUTOS
BISTEC, MEDIANO 1 PULGADA DE GROSOR - FILET MIGNON, RIBEYE, NEW YORK STRIP Y PORTERHOUSE			6 A 8 MINUTOS
HAMBURGUESA 3/4 DE PULGADA DE GROSOR			8 A 10 MINUTOS
BISTEC DE ARRACHERA GALLO O HANGER STEAK, MEDIANO 1 PULGADA DE GROSOR			8 A 10 MINUTOS

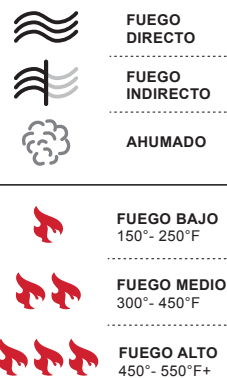
 CERDO	TIPO DE CALOR	NIVEL DE CALOR	TIEMPO DE COCCIÓN PROMEDIO
CHULETA DE CERDO, MEDIANA 1 PULGADA DE GROSOR			8 A 10 MINUTOS
CHORIZO TIRA DE 3 ONZAS			10 A 13 MINUTOS
LOMO DE CERDO 1 LIBRA			15 A 20 MINUTOS
PALETA/CABEZAS DE LOMO DE CERDO 8 POUNDS			12 HORAS <small>APROX. 90 MINUTOS POR LIBRA</small>

 POLLO	TIPO DE CALOR	NIVEL DE CALOR	TIEMPO DE COCCIÓN PROMEDIO
PEC HUGA O ANTEMUSLO DE POLLO 4 ONZAS - SIN HUESO, SIN PIEL			8 A 12 MINUTOS
ANTEMUSLO O MUSLO DE POLLO 3 A 6 ONZAS - CON HUESO*			35 A 45 MINUTOS
PECHUGA DE POLLO 10 A 12 ONZAS - CON HUESO*			35 A 45 MINUTOS
POLLO ENTERO* 8 LIBRAS			3 A 5 HORAS

*EL POLLO CON HUESO SE DEBE COCINAR O "DORAR" PRIMERO A FUEGO DIRECTO POR UNOS MINUTOS ANTES DE PASARLO A FUEGO INDIRECTO.

 PRODUCTOS DEL MAR	TIPO DE CALOR	NIVEL DE CALOR	TIEMPO DE COCCIÓN PROMEDIO
CAMARÓN GRANDE			4 A 6 MINUTOS
VIEIRA 1,5 ONZAS			4 A 6 MINUTOS
PESCADO, FILET 1 PULGADA DE GROSOR			5 A 10 MINUTOS
PESCADO, ENTERO 1 LIBRA			15 A 20 MINUTOS

LEYENDA DE FUEGO



TEMPERATURAS INTERNAS MÍNIMAS ADECUADAS RECOMENDADAS POR EL USDA

PESCADOS Y MARISCOS:
145°F

BISTECS O CHULETAS DE RES O CERDO: **145°F**

CARNE DE RES O CERDO MOLIDA: **160°F**

POLLO:
165°F

Los tiempos de cocción mostrados en este gráfico representan una guía y pueden variar en función de la cocción deseada, el grosor, la cantidad de cada tipo de alimento que se está cocinando, la parrillera o el estilo de parrilla, la temperatura ambiental y/o el tiempo atmosférico. Char-Griller® recomienda usar siempre un termómetro de cocina para medir la temperatura interna de todos los productos cárnicos. Consulte el Manual del Propietario para asegurarse de que ninguna de estas recomendaciones entre en conflicto con las instrucciones de funcionamiento del producto Char-Griller® en la pág. A-1.



ENCUENTRA MÁS
RECETAS EN
CHARGRILLER.COM



MEJORE EL SABOR

Guía Para Combinar Leñas

Las distintas variedades de leña poseen diferentes sabores y Char-Griller® recomienda combinar su leña con las carnes que desea cocinar.

LEÑA	SABOR	 CARNE DE RES	 CERDO	 POLLO	 PRODUCTOS DEL MAR	 VEGETALES
ALISO	SUAVE			✓	✓	
ARCE	SUAVE			✓		✓
CEREZO	SUAVE		✓	✓	✓	
MANZANO	MEDIO	✓	✓	✓	✓	
PECAN	MEDIO	✓	✓	✓	✓	✓
ROBLE	MEDIO	✓	✓	✓	✓	✓
JICORIA	FUERTE	✓	✓			
MEZQUITE	FUERTE	✓	✓			

RECETAS PARA LA PARRILLA

- Usar un TERMÓMETRO DE CARNE al cocinar garantiza que las comidas estén completamente cocidas. Inserte el termómetro en la parte más gruesa de la carne, sin tocar el hueso, y espere de 1 a 1 minuto y ½ para que registre la temperatura.
- La temperatura mínima segura del USDA es de 165 ° F para pollos / aves de corral.
- La temperatura mínima segura del USDA es de 145 ° F para carne de res, cerdo, ternera y cordero (filetes, chuletas, asados).

Recetas De Calor Directo

CARNE DE ARRACHERA A LA PARRILLA CON VERDURAS

Una carne muy infravalorada como la arrachera puede convertirse en una comida rápida y gustosa para las noches de entresemana. Pon la cena en la mesa en menos de 20 minutos, y usa una parrilla de carbón para conseguir el mejor sabor del verano con esta receta de carne de arrachera.

Ingredientes:

680 g. de carne de arrachera
1 cucharilla y ½ de pimentón ahumado
2 gajos de ajo troceados
Sal y pimienta al gusto
4 mazorcas de maíz
2 calabacines grandes, cortados por la mitad a lo largo
400 g. de tomates cherry
3 cucharas de aceite de oliva
1.5 cucharas de romero fresco, troceado
1 cucharada de vinagre de vino rojo
2 gajos de ajo troceados y con aceite
2 cucharadas de aceite de canola

Instrucciones:

1. Adreza la carne de arrachera con el pimentón y el ajo. Adrézala por ambos lados y salpiméntala. Úntala de aceite de canola.
2. Unta el maíz, el calabacín y los tomates con aceite de canola y adrézalos con sal y pimienta.
3. Precalienta la parrilla a temperatura media-alta.
4. Añade la carne de arrachera a la parrilla, dale la vuelta una vez y cocínala al punto deseado de cocción. Entre 4 y 6 minutos por lado, luego dejar reposar unos 5 minutos.
5. Añade las verduras a la parrilla y dales la vuelta de vez en cuando hasta que estén cocinadas.
6. Mezcla aceite de oliva, romero, vinagre de vino rojo, ajo, sal y pimienta al gusto en un pequeño bol.
7. Unta la carne y las verduras con la mezcla de aceite de oliva y sívelo todo inmediatamente.

CHAR-GRILLER® ARRACHERA ADOBADA

Ingredientes De Adobo De Carne:

½ taza de aceite de oliva
1/3 de taza de salsa de soja
¼ de taza de vinagre de vino tinto
2 cucharadas de jugo de limón
1 cucharadita de mostaza seca
1 diente de ajo picado
1 cebolla pequeña, picada
¼ de cucharadita de pimienta

Instrucciones:

1. Mezcle los ingredientes del adobo en un plato que no sea de metal.
2. Permita que la carne repose en el adobo por no menos de 4 horas en el refrigerador.
3. Soase cada lado a fuego alto por 5 minutos; la parte de adentro aún debe estar cruda.
4. Corte la carne diagonalmente contra el grano en rodajas finas antes de servir.



**ENCUENTRA
MÁS RECETAS EN
CHARGRILLER.COM**



SOLOMILLO DE CERDO A LA PARRILLA FÁCIL Y RÁPIDO

¿Necesitas preparar una cena rápida? Esta receta de solomillo de cerdo a la parrilla es fácil y rápida, y hará las delicias de tus comensales. ¡Acompáñalo de patatas rojas a la parrilla y espárragos para una cena simple y sabrosa!

Ingredientes:

2 solomillos de cerdo
2 cucharaditas de pimentón
1 cucharadita de ajo en polvo
1 cucharadita de cilantro
1 cucharadita de orégano
Sal y pimienta al gusto
Aceite de oliva

Instrucciones:

1. Mezcla las especias todas juntas en un bol. Unta el cerdo con aceite de oliva y luego adereza ambos lados con la mezcla de especias.
2. Configura tu parrilla para cocina directa. Enciende los fogones y ponlos a intensidad media-alta.
3. Coloca el cerdo en la parrilla y cocínalo de 8 a 10 minutos por cada lado, o hasta que la temperatura interna sea de 73°C.
4. Retíralo de la parrilla y déjalo reposar durante 10 minutos.

HAMBURGUESAS

Sazone al gusto con Char-Griller® "Original" All-Purpose o Steak Seasoning. Además, puede adobar permitiendo que repose en el adobo por 1 o 2 horas a temperatura ambiente antes de cocinar, o permitir que repose en un recipiente cubierto en el refrigerador por hasta 24 horas.

Instrucciones:

1. Permita que alcance la temperatura ambiente antes de cocinar.
2. Mezcle las cebollas picadas, los pimientos verdes, la sal, y soase los patis de ¾ de pulgada de cada lado.
3. Cocine a fuego medio con la tapa cerrada para evitar que se enciendan.
4. Cocine de cada lado de 3 a 7 minutos según la temperatura deseada.
5. Para prevenir e-coli, cocine la carne picada a 150°F internamente o hasta que el jugo salga limpio (Libre de sangre).
6. Las hamburguesas se pueden lardear con adobo al rotarlas y/o se pueden mezclar otros ingredientes con la carne picada, como la salsa o polvo de chili.

HAMBURGUESAS JUGOSAS DE LUCY

Si crees que es imposible mejorar la hamburguesa clásica, espera a probar las jugosas hamburguesas a la parrilla de Lucy. Llenas de sabor y queso fundido, estas hamburguesas seguro que serán el hit del verano.

Ingredientes:

680 g. de ternera picada
½ paquete de mix de sopa de cebolla seca francesa
¼ de vaso de vinagreta
2 cucharas grandes de Worcestershire
1/2 cucharillas de sal
1/4 cucharilla de pimienta negra
1 taco de queso Cheddar

Instrucciones:

7. Corta el queso en lonchas de 60 mm. de grosor aproximadamente y de 5cm. de ancho por 5 cm de alto.
8. Añade el mix de sopa de cebolla francesa, sal, pimienta, vinagreta y la salsa Worcestershire a la ternera picada y mézclalo a conciencia.
9. Toma una porción de carne y dale forma de hamburguesa.
10. Pon la loncha de queso en el centro de la hamburguesa y cubre el queso completamente con la ternera. Forma una hamburguesa con el queso en el interior.
11. Repite con la ternera y el queso restante.
12. Precalienta la parrilla a 200 grados.
13. Cocina las hamburguesas durante 3 minutos en un lado y luego dale la vuelta.
14. Cocina las hamburguesas durante 6 minutos en el otro lado.
15. Añade los complementos que más te gusten y, ¡disfrutad!

CAMARONES (pelados) y CANGREJO DE RÍO

Instrucciones:

1. Póngalos en brochetas.
2. Cubra con mantequilla derretida y sal de ajo.
3. Ase por 4 minutos de cada lado o hasta que estén rosados. La salsa de cóctel es opcional.

PERRITOS CALIENTES

Instrucciones:

1. Ase con la tapa abierta por aproximadamente 6 minutos.
2. Rote cada vez que pasen unos minutos.

MILHOJAS DE JALAPEÑO Y BEICON

¿Necesitas una merienda fácil y fácil para este gran juego? Estos Jalapeno Bacon Blanket Poppers son un placer para la multitud y son súper fáciles de preparar en la parrilla. El tocino se pone crujiente rápidamente y no se quema fácilmente, ya que se encuentra encima del relleno de queso crema. Fácil, delicioso y del tamaño perfecto para un aperitivo, ¡tus amigos y familiares te pedirán que los hagas una y otra vez!

Ingredientes:

4 jalapeños
Condimentos de carne a la parrilla al gusto
1/3 de vaso de crema de queso
3 lonchas de beicon
Queso rallado al gusto

Instrucciones:

1. Mezcla la crema de queso, el queso rallado y el condimento de carne a la parrilla en un bol y déjalo aparte.
2. Corta los jalapeños por el medio para darles forma de barca.
3. Usa una cucharilla para quitar las semillas del jalapeño y hacer hueco para el relleno
Consejo: si te gusta el picante deja algunas semillas. Las semillas son las que pican.
4. Rellena los jalapeños con el relleno.
5. Trocea el beicon en tiras pequeñas y ponlas encima del relleno del jalapeño.
6. Esparce un poco de condimento para carne a la parrilla por encima del beicon.
7. Pon la parrilla a 176°.
8. Coloca los milhojas de jalapeño y beicon en la parrilla/ ahumador y ahúmalos durante 30 minutos, o hasta que el beicon adquiera un tono marrón dorado.
9. ¡Retíralos del fuego y disfruta!

Recetas De Calor Indirecto

PATATAS HASSLEBACK

Un acompañamiento que puede ser un plato por sí mismo, ¡estas patatas Hassleback! se pueden combinar con cualquier tipo de complemento o queso!

Ingredientes:

6 patatas Russet
1 paquete de queso Cheddar en lonchas
1 paquete Pepper Jack Slices
Chile chipotle en polvo
Orégano
Sal y pimienta al gusto
Beicon troceado (cocinado)
Cebollino (a rodajas)
Crema agria

Instrucciones:

1. Configura tu parrilla para cocina indirecta. Enciende los fogones y ponlos a intensidad media-alta.
2. Corta finas lonchas a lo ancho de la patata, pero con cuidado de no terminar de cortar hasta el final.
3. Envuelve las patatas con papel de aluminio y colócalas en un lado alejadas de los fogones. Deja que se cocinen hasta estar tiernas. De 45 minutos a 1 hora.
4. Retira las patatas de la parrilla y desenvuélvelas.
5. Coloca lonchas alternadas de queso Cheddar y pepperjacks en la patata.
6. Adreza las patatas con chipotle en polvo, sal, pimienta y orégano.
7. Coloca de nuevo las patatas en la parrilla sin papel de aluminio, de 10 a 12 minutos, o hasta que el queso se haya fundido.
8. Añade de guarnición beicon, cebollino y crema agria, y ya pueden ser servidas.

MAÍZ DULCE CON CÁSCARA

Instrucciones:

1. Recorte el exceso del extremo y remoje en agua fría con sal 1 hora antes de asar.
2. Ase por 25 minutos, girando varias veces.



ALITAS DE POLLO CON PARMESANO Y AJO

Reproduce los sabores de tu sitio favorito de alitas con esta receta de marinada de parmesano y ajo.

Ingredientes:

1.8 Kg. de alitas de pollo
½ litro de adrezo italiano en bote
1 vaso de queso parmesano rallado
1/2 cucharada de sal de cebolla
1/2 cucharada de pimienta negra
1 vaso de mantequilla
1 cuchara de orégano
2 cucharadas de ajo en polvo
Una pizca de romero

Instrucciones:

1. Marinar las alitas durante toda la noche o por lo menos durante cuatro horas con adrezo italiano.
2. Añadir carbón a un lado de la parrilla para cocina indirecta, o usa una Smokin' Stone y añade trocitos de madera aromática si lo prefieres.
3. Precalentar la parrilla a 135°C.
4. Coloca las alitas en el lado de la parrilla de calor indirecto.
5. Ahúma las alitas entre 45 y 60 minutos, hasta que la temperatura interna alcance los 76°C.
6. Mientras se ahúman las alitas, haz salsa de parmesano y ajo mezclando el queso parmesano, el ajo en polvo, sal de cebolla, pimienta negra, mantequilla, orégano y romero.
7. Retira las alitas de la parrilla y añádeles la salsa de ajo y parmesano.

SALMÓN A LA TABLA DE CEDRO

¿Crees que no puedes conseguir el salmón ahumado perfecto en una cocina? Pues piénsalo bien. Con la parrilla indirecta puedes cocinar el salmón a la tabla de cedro perfecto siempre.

Ingredientes:

2 tablas de cedro
2 filetes de salmón
Aceite de oliva
Romero
Sal y pimienta al gusto.

Instrucciones:

1. Pon las tablas de cedro a remojo durante al menos 8 horas.
2. Configura tu parrilla para cocina indirecta.
3. Añade 30 o 40 trozos de carbón a un lado de la parrilla.

4. Cuando el carbón esté encendido, permite que el carbón se haga ascua.
5. Unta el salmón con aceite de oliva por ambos lados.
6. Adrézalo con sal, pimienta, romero y rodajas de limón.
7. Coloca el salmón a un lado de la parrilla, lejos del carbón.
8. Cocina el salmón durante 15 minutos o hasta el punto deseado.

MUSLOS DE POLLO CON CHILI Y LIMA

Perfectos para tus tacos, fajitas, nachos o como plato único, esta receta de muslos de pollo con chili y lima, preparada por nuestro embajador BBQFiends, puede ser cocinada en un momento en una parrilla de gas para una cena de entre semana o cocinada con carbón durante el fin de semana para añadir el ese punto de sabor ahumado.

Ingredientes:

1.3 Kg. de muslos de pollo
2 cucharas de tu adrezo favorito de Chili BBQ
1 Lima
Cilantro troceado como guarnición
1 zumo de lima (marinado)
1 lata de cerveza (marinado)
Sal y pimienta al gusto (Marinado)

Instrucciones:

1. Cortar el exceso de grasa de los muslos de pollo y colocarlos en un bol largo. Añadir los ingredientes para marinar, y dejar reposar en la nevera durante 1 o 2 horas antes de cocinar.
2. Retirar el pollo del marinado y condimentar con vuestro adrezo de chili BBQ favorito. Poner la parrilla a 176°C y colocar el pollo en el lugar de cocina indirecta.
** Consejo: Para conseguir una piel de pollo crujiente, dar la vuelta al pollo cuando este a medio cocinar, y ponerlo en calor directo. Asegúrate que la temperatura interna es de al menos 73°C antes de retirarlo de la parrilla.*
3. Coloca el pollo y adórnalo con el cilantro troceado, y exprime una lima por encima.
4. ¡Sirve y disfruta!

Recetas De Ahumado

TRASERO DE CERDO “CERTIFICADO”

Nuestro veterano embajador Certified Creole BBQ, lo ha vuelto a hacer con su receta de trasero de cerdo certificado. Ahumado lentamente, condimentado generosamente y desmigado, esta receta de cerdo es perfecta para usarla en platos sin fin. Desde sándwich de cerdo desmigado, hasta acompañamiento para huevos o disfrutado con verduras, esta receta segura hará las delicias de tus comensales.

Ingredientes:

2 traseros de cerdo (de 2,7 a 4,5 Kg cada uno)
Zumo de manzana
Tus condimentos preferidos
Mostaza

Preparando La Carne

- Retira el trasero de cerdo del envoltorio de plástico y sécalo con papel de cocina.
Consejo: Elige un trasero de cerdo con una buena capa de grasa. Esto es bueno para cocinar durante periodos largos la carne ahumada.
- Retira el exceso de grasa que se desprende con facilidad. Haz cortes de medio centímetro de profundidad en diagonal en la capa de grasa, separados entre 1 y 2 centímetros.
Consejo: Los cortes ayudan a que el condimento y el ahumado penetren en la carne de cerdo.
- Rellena el inyector de marinado con zumo de manzana, e inyéctalo en la parte superior y lateral de la carne.
- Esparce la mostaza con un pincel por todo el trasero del cerdo.
Consejo: Esto permite que el condimento se adhiera al trasero de cerdo.
- Condimenta ambos lados de la carne de cerdo con tu adrezo favorito.
Consejo: Después de condimentar, envuélvelo en Saran Wrap y déjalo toda la noche en la nevera o al menos de 8 a 10 horas. Esto permite que los condimentos penetren y que el zumo de manzana enterezca la carne de cerdo.

Instrucciones De Cocinado

- Enciende el carbón y precalienta el ahumador a 107°C.
- Añade agua hirviendo a una sartén de goteo y colócala bajo la rejilla.
Consejo: Esto añadirá humedad al cocinado y recogerá lo que se desprenda.
- Ahúma los traseros de cerdo durante 2 horas por libra a 107°C, hasta que la carne alcance una temperatura interna de 70°C.
Consejo: mantén la temperatura a 107°C, comprueba el fuego cada hora o cuando sea necesario. También vaporea con zumo de manzana cada vez que añadas combustible al fuego. Esto humedece y da sabor. También evita que el cerdo se seque y ayuda a crear la corteza. Monitoriza la temperatura usando un termómetro interior o remoto.

- Retira los traseros de cerdo del ahumador, y envuélvelos con dos capas de papel de aluminio. Antes de cerrar, añade 1 vaso de zumo de manzana y una barra de mantequilla a cada trasero de cerdo, más condimento y salsa BBQ al gusto.
- Colócalos otra vez en el ahumador y cocínalos hasta que los traseros de cerdo alcancen una temperatura interna de 92°C, luego sácalos del ahumador.
Consejo: Envuelve el trasero de cerdo en un paño largo y colócalo en un refrigerador o simplemente déjalo reposar durante 1 o 2 horas. Esto permite que la carne se deje de cocinar y es un momento clave en el proceso.
- Tras reposar, retira el paño y el aluminio. Trocea el cerdo usando dos tenedores o garras de cocina.
- Haz sándwiches de cerdo desmigado y un sinfín de platos de cerdo, ¡disfruta!

BRISKET DE TERNERA

Esta receta de brisket de res, desarrollada en colaboración con nuestro amigo James Rhodes, es una elección tradicional entre los clásicos de la carne tierna ahumada.

Ingredientes:

4.75 Kg. de brisket de ternera
½ vaso de pimentón
¼ vaso de azúcar moreno ligero
3 cucharas de sal
3 cucharas de pimienta negra
3 cucharas de chili en polvo
Zumo de manzana
Agua

Instrucciones:

- Con un cuchillo afilado, retira la grasa de la ternera dejando una fina capa en la parte superior.
- En medio bol, combina pimentón, azúcar moreno ligero, chili en polvo, sal, pimienta y mézclalo bien para hacer un condimento. Usa tus manos o un dispensador para condimentar generosamente la carne.
- Envuelve el brisket con plástico y ponlo en la nevera durante al menos 12 horas.
- Al preparar la parrilla, añade desconches de madera o trozos de carbón y coloca piedra de ahumar con una sartén de aluminio encima suya. Pon zumo de manzana y agua en la sartén, más o menos a la mitad. Coloca un comprobador de temperatura en la rejilla y calienta la parrilla a 105°C.
- Coloca el brisket en la rejilla, con la grasa hacia arriba, y deja que se ahúme durante 5 horas. Después de 5 horas, envuelve el brisket con papel de charcutero y devolver a la parrilla a 105°C. El brisket estará hecho cuando la temperatura interna alcance 90°C. Deja reposar el brisket durante 1 hora.
- ¡Corta, sirve y disfruta!



3-2-1 COSTILLAS

Puede que hayas oído hablar del método 3-2-1 costillas en las redes sociales. Es una técnica muy popular para ahumar costillas para que queden tiernas, jugosas y donde salen limpias del hueso. Fácil y simple de seguir, este es un método que garantiza que te quedarán unas costillas para chuparse los dedos.

El método 3-2-1 es un proceso que implica ahumar las costillas durante 3 horas, envolverlas en papel de aluminio y brasear durante 2 horas, y el ahumado sin envoltura durante 1 hora. Esto no solo hace que las costillas se cocinen más rápido, esto te asegura una carne más tierna.

Ingredientes:

- 4 costillares
- 2 vasos de sidra de manzana,
- 2 vasos adicionales en botella de spray
- 8 cucharas de mantequilla salada
- 1 vaso de tu salsa BBQ favorita
- 1 vaso de azúcar moreno
- Adrezo para costilla a la parrilla
- 4 cucharas de miel

Instrucciones:

1. Prepara tu parrilla de carbón y ahumador encendiendo media chimenea de carbón y añadiéndolo a la caja de fuego lateral. Como alternativa, prepara tu parrilla para cocina indirecta con carbón colocado en el lugar opuesto donde quieres colocar las costillas.
2. *Consejo: Añade media chimenea de carbón sin encender a la caja de fuego lateral cerca del barril antes de añadir el carbón encendido a su lado. El carbón encendido encenderá progresivamente el carbón sin encender y así ayudará a mantener la temperatura durante más tiempo.*
3. Añade 4 trozos de madera de manzano y cierra el compartimento.
4. Deja que la parrilla se caliente a unos 90°C.
5. Retira las membranas de las costillas.
6. *Consejo: empieza por el lado estrecho del costillar, y con un cuchillo corta por debajo de las membranas con cuidado para empezar, luego ve retirando las membranas con una servilleta de papel.*
7. Condimenta ambos lados de las costillas con el adrezo para costillas a la parrilla.
8. Abre la parrilla y alza la rejilla ajustable al nivel más alto. Esto permite un ahumado homogéneo.
9. Coloca una sartén de goteo llena de agua bajo las rejillas y encima del fuego en el barril principal.
10. Coloca los huesos de las costillas boca abajo en las rejillas, cierra la tapa y deja que se ahúme durante 3 horas.
Consejo: Coloca el lado expuesto del hueso de la costilla hacia la caja de fuego lateral para que la carne se desprenda mejor del hueso. Si usas el método indirecto, coloca las costillas al lado contrario del carbón.
11. De vez en cuando comprueba la temperatura y asegúrate que se mantiene constante en 90°C. Si tienes que añadir carbón, que sea carbón ya encendido.
12. Cada 30 minutos, vaporea las costillas con sidra de manzana y mueve el costillar que está más cerca de la caja de fuego lateral al lado de la parrilla que está más lejos de la caja lateral de fuego y mueve los otros costillares hacia la caja. Repite esta rotación cada 30 minutos.
13. Retira las costillas de la parrilla al cabo de 3 horas.
14. Consigue una tira larga de papel de aluminio grueso. (Una por cada costillar.)
15. Coloca cada costillar con el hueso hacia arriba en cada tira de papel de aluminio.

Instrucciones para 3-2-1 RIBS, continuación:

1. Añade azúcar moreno, miel y mantequilla al lado con hueso de las costillas.
2. Añade ½ vaso de sidra de manzana.
3. Pliega los bordes del papel de aluminio para cubrir completamente las costillas.
4. Repite con los otros tres costillares.
5. Vuelve a colocar las costillas en el ahumador y aumenta la temperatura a 107°C.
6. Esto se consigue abriendo el regulador de tiro un poco más y añadiendo otra media chimenea de carbón encendido si es necesario.
7. Deja que las costillas se cocinen durante dos horas.
8. Continúa con la rotación de costillas como se ha mencionado en el punto 8, para que todas las costillas estén un rato cerca y un rato lejos del fuego.
9. Retira las costillas de la parrilla y del papel de aluminio. Colócalas en la parrilla con el hueso boca abajo.
10. Unta las costillas con tu salsa BBQ favorita y cocínalas durante una hora a 107°C.
11. ¡Retíralas y disfruta!

PAVO AHUMADO

Instrucciones:

1. Vacíe el espacio contenedor, enjuague y seque con una toalla de papel.
2. Meta las puntas de las alas debajo de la espalda y ate las patas juntas.
3. Póngalo en el centro de la rejilla para cocinar directamente encima de la bandeja de goteo de aluminio que tiene agua.
4. Ahúme por 12 minutos por libra. Si está relleno, permita varios minutos adicionales por libra para permitir la expansión.
5. Use un termómetro para carne para obtener mejores resultados (190°F interno).

PERRITOS CALIENTES RELLENOS AHUMADOS

1. Slit hot dogs lengthwise, within 1/4 inch of each end.
2. Stuff hot dogs with cheese and relish and wrap in bacon.
3. Place on cooking grate over drip pan and smoke 15-20 minutes or until bacon is crisp.

TROZOS Y MITADES DE POLLO AHUMADOS

Instrucciones:

1. Enjuague los trozos en agua fría y séquelos con toallas de papel.
2. Pincele cada trozo con aceite de oliva y sazone al gusto con sal y pimienta.
3. Dore los trozos directamente sobre las brasas con la tapa abierta y ase a fuego alto o medio por varios minutos.
4. Posteriormente, coloque las piezas en la rejilla para cocinar en un área para cocinar indirecta.
5. Cocine con la tapa cerrada con la parrilla a fuego lento por 55 a 60 minutos o hasta que esté listo. No use aceite de oliva o sal y pimienta si usa adobo.

JAMÓN AL HORNO AHUMADO

Puede ahumar jamón enlatado completamente cocido o jamón entero o ahumado y curado, pata o una porción de culata.

Glaseado

- 1 taza de azúcar morena clara, bien apretada
- ½ taza de jugo de naranja
- ½ taza de miel de abeja

Instrucciones:

1. Combine el azúcar, jugo y miel. Permita que el glaseado repose por al menos 4 horas.
2. Quite la corteza y corte la grasa de forma diagonal para dar un efecto de diamante.
3. Inserte un diente entero en el centro de cada diamante.
4. Ponga el jamón con la grasa hacia arriba en el centro de la rejilla para cocinar. Cierra la tapa.
5. Se sugiere cocinar por aproximadamente 9 minutos por libra para jamones completamente cocidos. El jamón ahumado o curado, que no esté completamente cocido, debe cocinarse a una temperatura interna de 160°F.
6. Lardee con glaseado para jamón unas 3 o 4 veces durante los últimos 30 minutos de cocción.
7. Adorne con rodajas de piña unos 15 minutos antes de que se acabe el tiempo de cocción.

MACARRONES CON QUESO AHUMADOS

Un favorito de todas las familias desde siempre, esta receta de macarrones con queso ahumados suben el listón de los macarrones con queso al horno con sabores que harán que tu ahumador no pare de funcionar.

Ingredientes:

- 1 paquete de Elbow Macaroni
- 1/2 barra de mantequilla
- 1/4 de harina para todo uso
- 1 vaso de nata de cocinar
- 1 vaso de leche
- 2 vasos de queso Cheddar rallado
- 1 vaso de queso Gouda rallado
- 1 vaso de queso Colby Jack rallado
- 1/2 vaso de crema de queso
- 2 cucharas de pimienta negra
- 1 cucharita de pimienta de cayena
- 1 sartén redonda de hierro fundido

Instrucciones:

1. Hierva los macarrones al dente siguiendo las instrucciones del paquete.
2. Precaliente el ahumador a 107°C usando madera afrutada en la caja de ahumado, como de cerezo o manzano.
3. Si tu parrilla no tiene el complemento de caja de ahumado, conviértelo en uno fácilmente colocando madera o carbón en el lado opuesto a la sartén. Si colocas la sartén en el lado derecho de la rejilla, coloca la madera en el lado derecho para crear una cocina indirecta.
4. Calienta la sartén a intensidad media, luego funde la mantequilla y añade harina.
5. Mientras añades harina, añade leche y nata de cocinar y haz que hierva.
6. Reduce la intensidad a media-baja y añade crema de queso hasta que se suavice.
7. Añade el resto de quesos y remueve hasta que se fundan y quede meloso.
8. Apaga el fuego y remueve los macarrones hasta que se mezcle homogéneamente con la salsa de queso.
9. Coloca la sartén en el ahumador y deja que se cocine durante 1 o 2 horas hasta el punto deseado. Déjalo durante más tiempo si te gusta el sabor a ahumado.
10. Servir caliente.



CARNE DE VENADO AHUMADA CON TOCINO

Adobo Para Carne De Venado

- 1 taza de vinagre balsámico o de vino tinto
- 1 taza de aceite de oliva
- 2 onzas de Worcestershire
- ½ onza de Tabasco
- 2 cucharadas de sal condimentada
- 1 a 2 jalapeños picados
- 3 onzas de salsa de soja

Adobo Para Tocino

- 2 onzas de vinagre de vino tinto
- 2 onzas de Worcestershire
- 4 raciones de Tabasco

Instrucciones:

1. Ponga la pata de venado en un recipiente y permita que se adobe por 2 a 4 días, rotándola diariamente. Deje adobar el tocino durante la noche.
2. Quite la pata del refrigerador al menos una hora antes de cocinar.
3. Sazone generosamente con sal condimentada y pimienta negra molida gruesa.
4. Envuelva 1 libra de tocino sobre la parte superior de la pata y ahúme por 20 a 25 minutos por libra, o hasta que esté tierna. No cocine de más.

Adobos

ADOBO PARA POLLO

Ingredientes:

- ½ taza de salsa de soja
- ¼ de taza de aceite de oliva
- ¼ de taza de vinagre de vino tinto
- 1 cucharadita de orégano
- ½ cucharadita de albahaca dulce
- ½ cucharadita de ajo en polvo con perejil ¼ de cucharadita de pimienta

Instrucciones:

5. Vierta sobre los trozos de pollo en un plato que no sea de metal
6. Cubra y refrigere durante la noche, volteando ocasionalmente. Use el adobo para lardear el pollo mientras lo cocina.

ADOBO PARA CARNE (For steaks, chops, and burgers)

Ingredientes:

- ¼ taza de salsa de soja
- 2 cebollas grandes
- 2 dientes de ajo, triturados
- 2 cucharaditas de sal
- 2 cucharaditas de pimentón
- 1 cucharadita de pimienta molida fresca

Instrucciones:

1. Combine los ingredientes en una licuadora eléctrica, cubra y procese a alta velocidad por 1 minuto o hasta que la mezcla esté muy suave.
2. Agregue ¼ de taza de jugo de carne (Kitchen Bouquet y Gravy Master) y 2 cucharaditas de condimento Beau Monde (o sustituya 1 cucharadita de MSG y 1 cucharadita de sal condimentada).
3. Permita que la carne repose en el adobo a temperatura ambiente por 2 horas o refrigere hasta 24 horas en un plato cubierto.
4. Permita que la carne alcance la temperatura ambiente antes de cocinar.

ADOBO PARA BROCHETAS

Ingredientes:

- 1 taza de salsa de soja
- ½ taza de azúcar morena
- ½ taza de vinagre blanco
- ½ taza de jugo de piña
- 2 cucharaditas de sal
- ½ cucharadita de ajo en polvo

Instrucciones:

1. Mezcle los ingredientes y hierva.
2. Adobe la carne en la mezcla por un mínimo de 4 horas.



**ENCUENTRA
MÁS RECETAS EN
CHARGRILLER.COM**

¡ESCANEE
EL CÓDIGO



PARA VER MÁS!

ACCESORIOS FAVORITOS

PARA LA VISITA COMPLETA DE ACCESORIOS CHARGRILLER.COM



Cubierta a la Medida

Resistente al Clima
Protege el Acabado La Cubierta
se Adapta al Estante Lateral o la
Parrillera Lateral

Visite chargriller.com para ver
la cubierta personalizada de
su parrilla



Encendedor de Rápida Liberación para Chimeneas

Fácil encendido con liberación
de gatillo patentada
Mango de ABS para protegerle
del calor

Acero galvanizado
Permite encender la parrillera a
carbón rápida y fácilmente

Modelo #19586



Cesta para Carbón

Mantiene los Carbones a un
Lado para Ahumar
Cocción Indirecta

Modelo #9955



Termómetro de sensor plegable

El sensor de acero inoxidable para
lectura rápida mide con precisión
la temperatura

Se cambia fácilmente de °F a °C
Función de ENCENDIDO/
APAGADO automático para una
mayor duración de la batería

Modelo #6304



Gorra Char-Griller®

Frente hecho en mezcla de
algodón y poliéster con malla de
nylon en la parte posterior
Cierre ajustable a presión
Un tamaño que se adapta a todos

Modelo #70100



Condimento original para todo tipo de barbacoas

Acompaña bien todo tipo de
carnes y pescados

Modelo #85501



**Esta Página Ha Sido
Intencionalmente Ha Dejado
En Blanco**

**Esta Página Ha Sido
Intencionalmente Ha Dejado
En Blanco**



**Esta Página Ha Sido
Intencionalmente Ha Dejado
En Blanco**



P.O. Box 30864
Sea Island, GA 31561
1-912-638-4724
www.CharGriller.com
Service@CharGriller.com

