

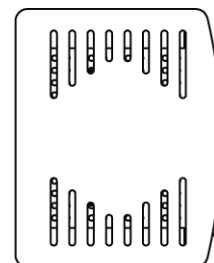
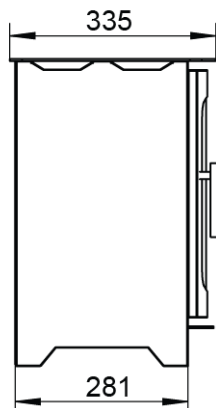
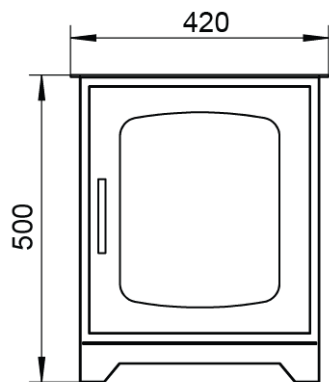
HENLEY STOVES



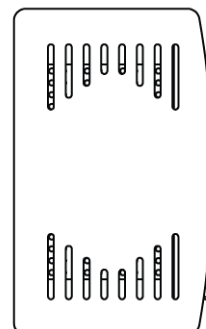
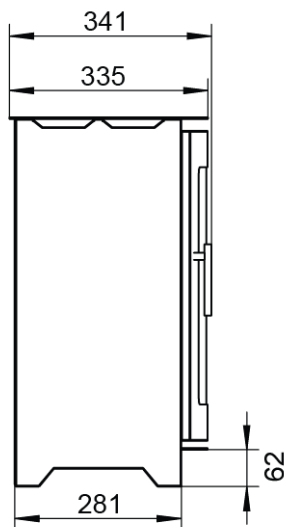
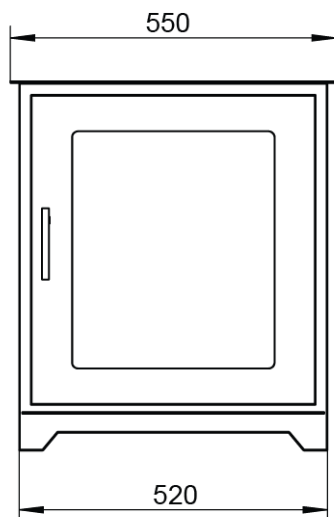
MANUAL & SAFETY INSTRUCTIONS

Hazelwood Compact Bio
Dalewood Landscape Bio
Hazelwood DoubleSide Bio

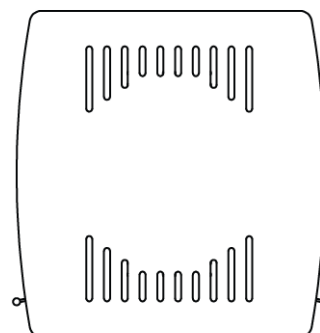
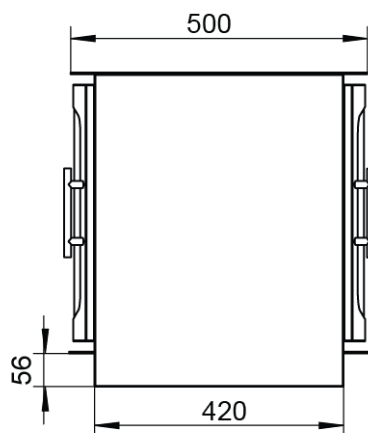
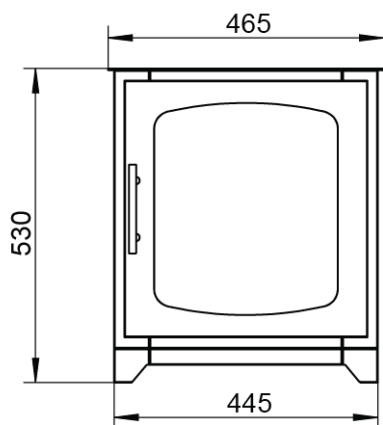
Hazelwood Compact Bio



Dalewood Landscape Bio



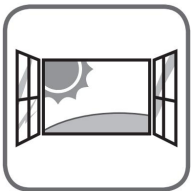
Hazelwood Double Side Bio



Fireplace User's Manual & Safety Instructions

Thank you for choosing our Bio-ethanol Fireplace.

Bio-Ethanol fireplaces are the environmentally friendly solution to a real fire without the need for a flue or gas supply. It's suitable for homes without a chimney. All of our fireplaces are vent-less, smokeless and ash-less without a need of chimney or gas. Our fireplaces are designed with stainless steel and/or black steel with modern concept. It can create a warm, peaceful and relaxing environment with our fireplace.



Bio-Ethanol fireplace is a fireplace which you can put anywhere in the house. People can enjoy a real fire and no need to install a chimney. As Bio-Ethanol burns with virtually no residue, ventilation by means of an open window suffices in most cases involving a room of adequate size.

Before using the fireplace, please carefully read through the operating instructions, and store it in a safe place. The instructions are packed with the product when it is passed on to others.

Assembly & Installation

For safety purpose, we recommend a professional contractor to mount the wall fireplace.

It's recommended at least 2 or more people install the fireplace. Make sure the fireplace is mounted on a solid wall with non-flammable material on the wall. And please remove all packaging and wrapping material before assembly.

Wall Mounted Fireplace Assembly Step:

1. It is recommended to mount the brackets into the studs of a wall. If there isn't a stud, use the drywall anchors to mount the brackets. Mount the top bracket first. Make sure the mounting brackets are level. Drill a hole into the wall. Place the anchors into the hole. Place the bracket over the anchor and screw through the bracket into the anchors.
2. Measure the distance between the top holes and the bottom holes in back of the fireplace. (see below)
3. Mount the bottom brackets based on the distance between the top and bottom holes in the back of the fireplace.
4. Drill a hole into the wall for the bottom bracket then put the drywall anchor into the hole.
5. Place bottom bracket over the anchor in the wall and screw through the bracket into the anchors.
6. Have 1 person hold the fireplace over the mounted brackets while the 2nd person inserts the screws and washers through the holes into the brackets.
7. Make sure the wall fireplace is mounted with the topside up. Fuel canisters will not tip over in fuel can holder if the fireplace is topside up.
8. Make sure the fireplace is securely mounted to the wall before adding fuel gel.

FREE STANDING FIREPLACE ASSEMBLY:

- The free standing fireplace is fully assembled and no mounting is required.
- Place fuel box in fireplace and open the slider.

Starting Up:

- Fill the reservoir containers with gel fuel or bio-ethanol, please do not exceed 3/4 parts of each burner capacity. Then light with a naked flame.
- 1. When adding Bio-Ethanol, Long lighters are ideal although matches can also be used as long as dead matches are not put into the tin.
- The flame will light slowly at first. Please allow 15 minutes to reach the optimum temperature and flame height.
- Spilled gel must be removed with an absorbent tissue and cleaned with water to prevent ignition outside the burner reservoir.

CAUTION! Spilled alcohol may lead to matt stains on parquet flooring.

ATTENTION! The fuel should be stored at room temperature to facilitate its ignition.

CAUTION! Fuel must be kept in safe distance (min. 1m/40 inch) to the fireplace. Do not place fuel in front of the fireplace. In case the flame does not ignite, please repeat the ignition process until the flame burns steadily.

Refill:

- **CAUTION:** Never pour fuel into the burning flame!
- **CAUTION:** Allow the burner to cool down for at least 15 minutes before refilling.
- To refill, follow instruction below.

Do not refill the ethanol fuel while there is flame or heat in the burner.

**Extinguish:**

CAUTION: Never extinguish the flame with water!

- Let the fuel burn out completely if possible. This prevents alcohol left in the reservoir and deflagration when reigniting.
- If you wish to extinguish the flame before the fuel has completely burned out. Please use the fire killer to fully close the opening of the burner and wait until the flame is extinguished. Wait approximately 30 minutes until the burner has reached room temperature. Only then dispose of the remaining fuel.
- In case the flame is not extinguished immediately. Please close the cover and wait app. 10-15 minutes to allow the flame to cool down. Repeat the above instruction until the flame is fully extinguished.

**DANGER OF BURN**

As the product and its components become hot during use and also remain hot for some time after the fire has been extinguished.

It is allowed to touch it after the product to cool off completely.

Maintenance/Care Instructions:

- The fireplace and reservoirs must be cleaned regularly. Use warm water and washing-up liquid.
- Marks can be best removed with a soft cloth and a mixture of lukewarm water and a small amount of cleaning liquid (ph-neutral) . We recommend to clean the stainless steel item regularly to prevent contamination.

CAUTION!

Never use chemicals, Steel-wool or scrubbing sponges either. The surface can be scratched by these. The manufacturer can not be held responsible for any damages resulting out of false use and / or cleaning of the product.

Safety instruction:

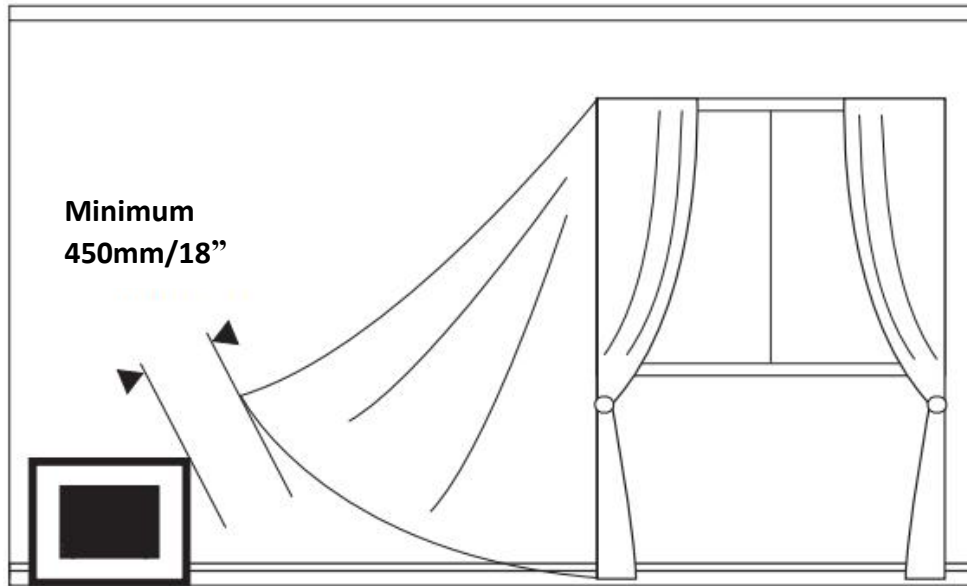
- The Bio-fire will use oxygen from the air inside the room where it is operated. The rooms should be well ventilated with enough oxygen and fresh air being supplied(i.e. slightly open windows if room is not vented).
- When ventilated, the room where the fireplace is operated in should not be smaller than 44m³/1550cuf(with an average ceiling height of 2.30m/8ft, the room should be at least 20m³/215sqf).
- It is not recommended to use more than one fireplace at a time in one room.

Never leave an open fire unattended at any time!

Fireplace Instruction Manual & Safety Instructions

The fireplace must not be installed within close proximity to window coverings, curtains or other free flowing materials or fabrics. To ensure that any window coverings cannot touch the appliance, maintain a minimum clearance of 450mm / 18" with the curtain fully extended towards the appliance as in the figure below.

The use of 'tie backs' to restrain any window coverings or fabrics is highly recommended.



CAUTION!

- Do not touch the fireplace while burning. Please allow at least 15 minutes to cool down completely.
- Never pour fuel into an open flame or into the burner reservoir unless it has cooled down for at least 15 minutes after use.
- The fireplace is not suitable for heating purposes.
- Do not store more than 5 liters/1.3 gallons of flammable liquids in your apartment.
- Keep fuel containers closed tightly.
- Keep fuel away from children and animals.
- The burning reservoir and Fuel must not be exposed to direct heat such as direct sunshine or central heating.
- Do not place any flammable material within 1 Meter/40 inches around the fireplace. A safety distance of at least 2 meters/80 inches should be kept from any window or curtain. Product should not be used with a mantle and shelving should be minimum or 1 Meter/40 inches from the fireplace.

CAUTION!

- Do not smoke while handling the fuel.
- Avoid draught in the room where the fireplace is operated.
- Avoid draught causing movements in the proximity of the fireplace as these might fan the flame.
- Please pay attention when filling the burner with gel or ethanol.
- liquid fuel next to the burner can cause un-expected flames. Do not refill burner again until they have

Fireplace Instruction Manual & Safety Instructions

completely cooled down.

- Do not refill while burning as major injury might occur. Always follow the instructions on the ethanol/gel bottle/can
- The fireplace fuel doses or cans should be changed minimum 1 time a year.
- Due to the heat of the fireplace children and animals should stay away during and 1-2 hours after use of the fireplace.
- Do not store any flammable goods close to the fireplace.
- Please remember to fill gel/bio-ethanol to a maximum of 2/3 of each burner.

Burner:

The burner has the following capacity at the maximum throttle. The fire will burn approximately 4 hours(Depends on the fuel). The duration can be lengthened by reducing the length of the flame by moving the throttle. The removable burner is located in the fireplace. Precautions should be taken when moving the unit. The combustibile should check combustibile leak before lighting the unit

Capacity:

- 1.5L Fuel box + Flame Handle
- 2.0L Fuel box + Flame Handle
- 2.5L Fuel box + Flame handle
- Others: _____

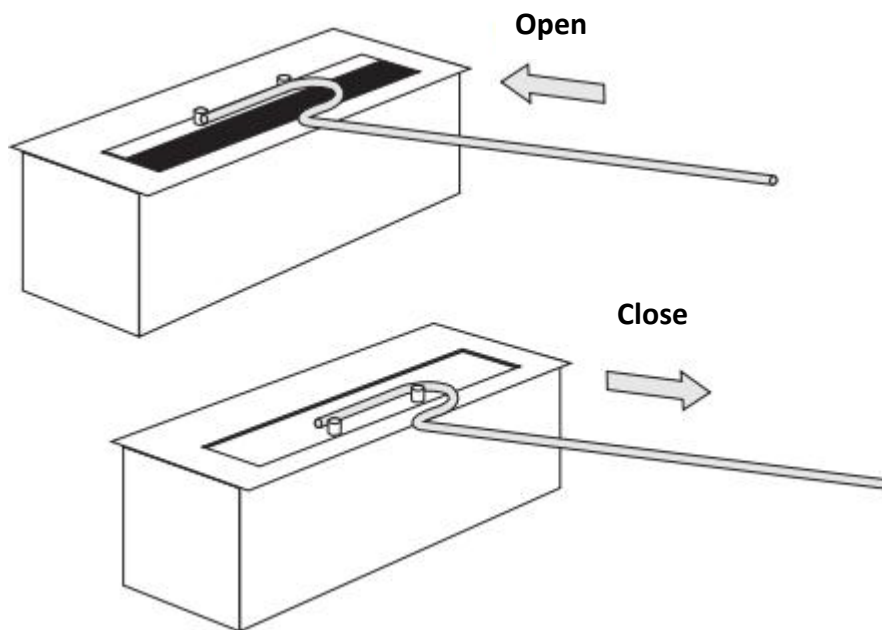
WARNINGS For Burner ! !

- Hot surface do not touch!
- Do not refill while burning as major injury might occur.
- Use the flame handle supplied to adjust /close the flame.
- Liquid fuel next to the box can cause un-expected flames. Do not refill boxes until they have completely cooled down at least 15 minutes.
- Do not store any flammable goods close to the fuel box.
- Do not smoke while handling the fuel.
- Please remember to fill gel/bio-ethanol to a maximum of 2/3 of each box..
- Do not use gasoline or any other fuels other than bio-ethanol.
- Operate with a window open allowing sufficient ventilation.
- Try not to leave unburned fuel in burner, use up fully and refuel prior to next use.
- Do not leave children unattended.

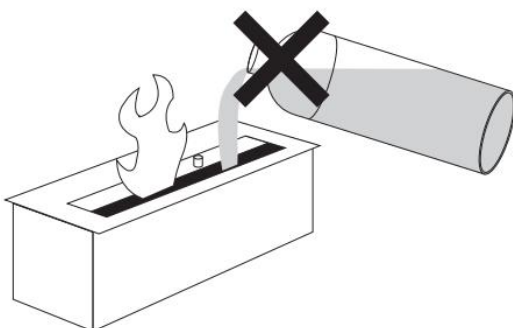
Fireplace Instruction Manual & Safety Instructions

Only use the damper control rod supplied with this appliance, never use a timber or plastic tool and never use your bare hands. Pulling the plate towards the front of the burner will reduce the flame height - and reduce the heat output.

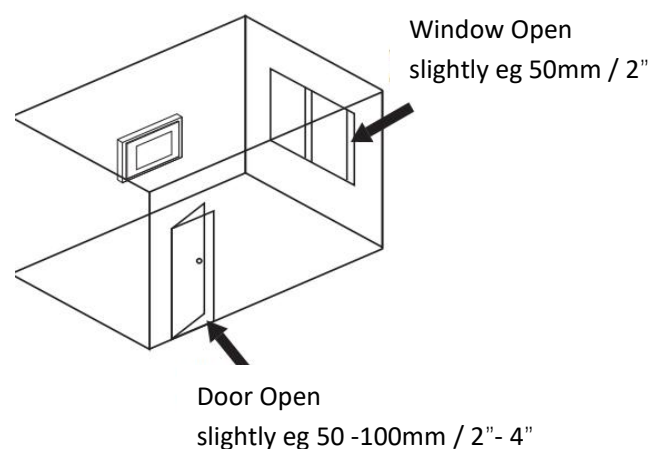
To turn off the fire, pull the damper plate briskly to the front of the burner and the fire will extinguish. If the fire does not shut down, reopen the damper plate and repeat the shutdown procedure. Pushing the plate towards the back of the burner will increase the flame height and increase the heat output. After lighting the fireplace, allow approximately 15 minutes for the burner to achieve effective working temperature. The burner is at working temperature when the flames are full and mostly yellow in appearance.

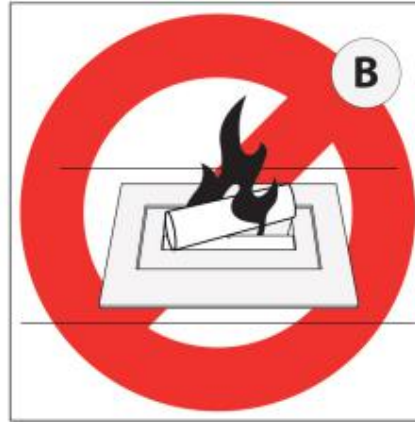


Never fill the burner while it is operating



Ventilate room by opening windows or doors slightly





A: No ethanol on the flame
 C: Do not create an air current
 E: Do not approach or touch
 G: Keep a means of extinguishing within reach
 I: Harmful

B: Do not obstruct the flame
 D: Do not fan the flame
 F: Take care with flammable objects
 H: Risk of fire, fuel
 J: Do not smoke when filling.

Warranty:

Your fireplace has a one year warranty against manufacturing defect, beginning at the date of purchase. In case of a problem, contact the store that sold it to you.

Warranty will be honored when you present a dated invoice and is strictly limited to recognized faulty part.

Installation costs cannot, under any circumstance, be reimbursed for damages. The manufacturer can't be held responsible for direct or indirect defect consequences, either towards person or property.

The warranty will be voided if the fireplace was misused or used for other purposes than what they were built for. The warranty will also be voided in case of deterioration or accident that occur following neglect, bad supervision or form altered parts.