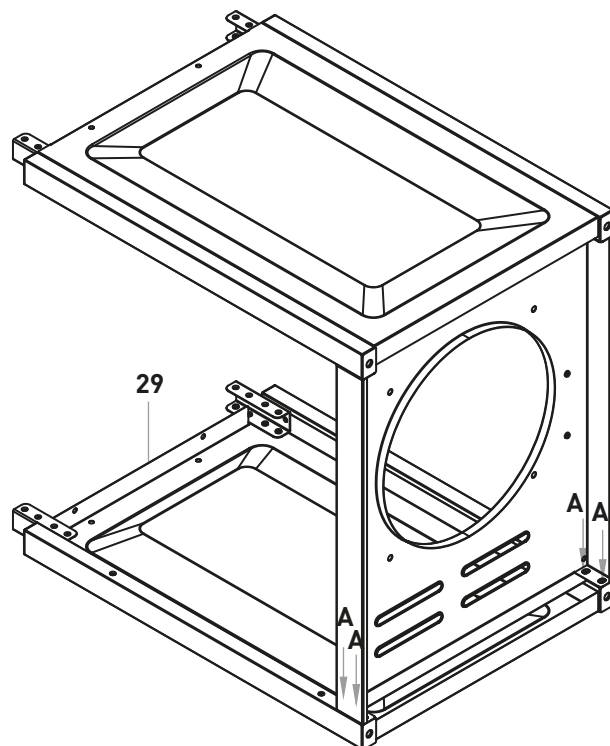
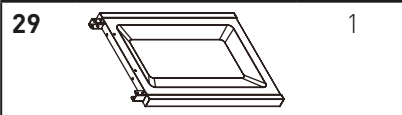
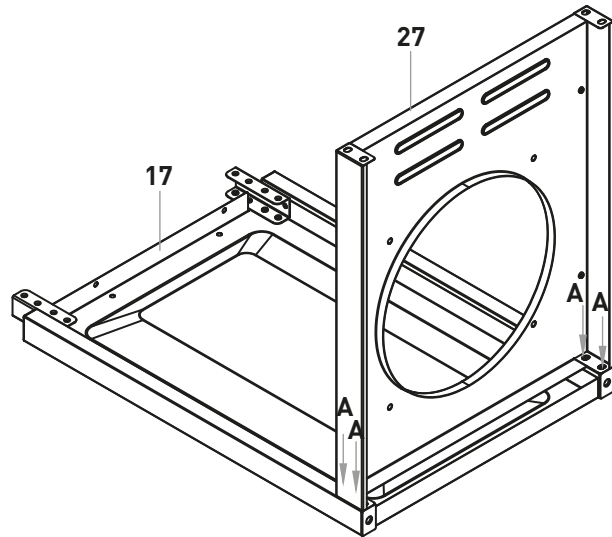
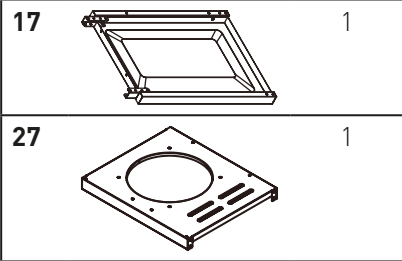
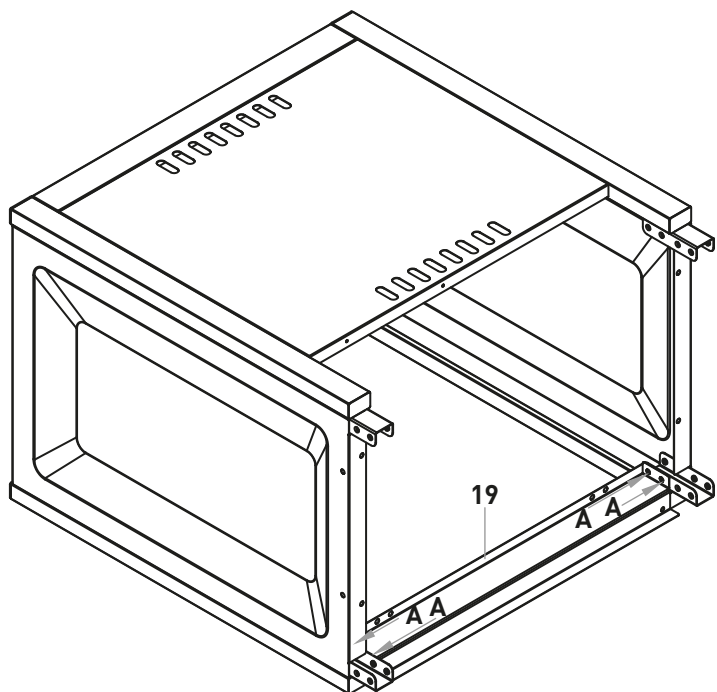
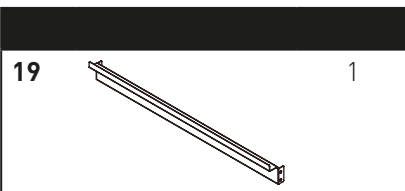
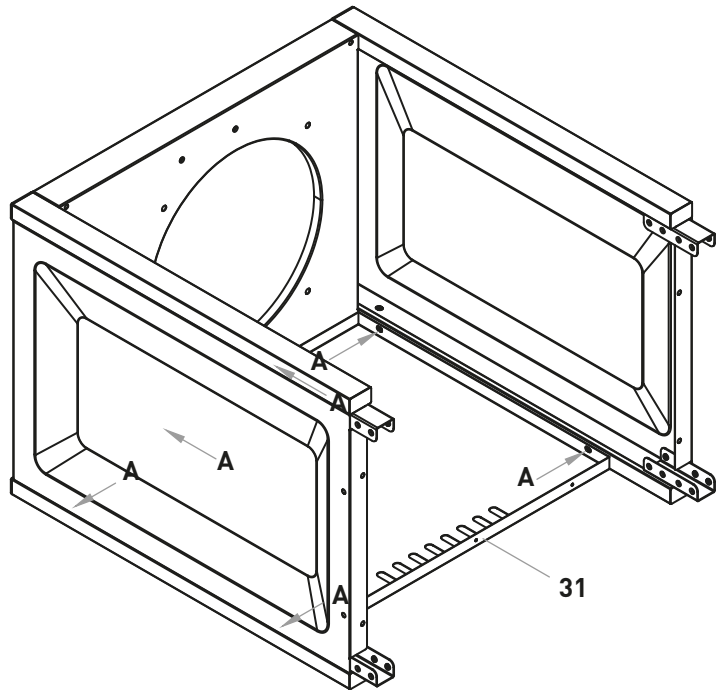
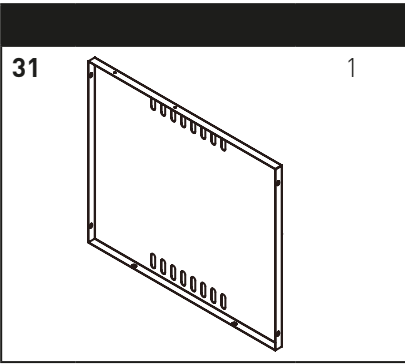


# MONROE PRO 3 SIK TURBO

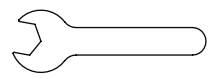


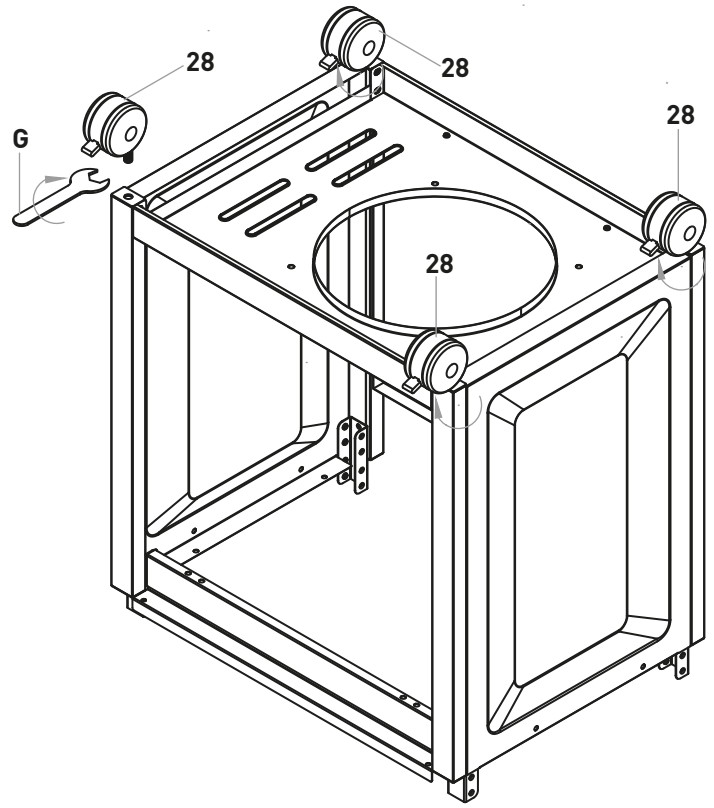
837630



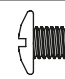


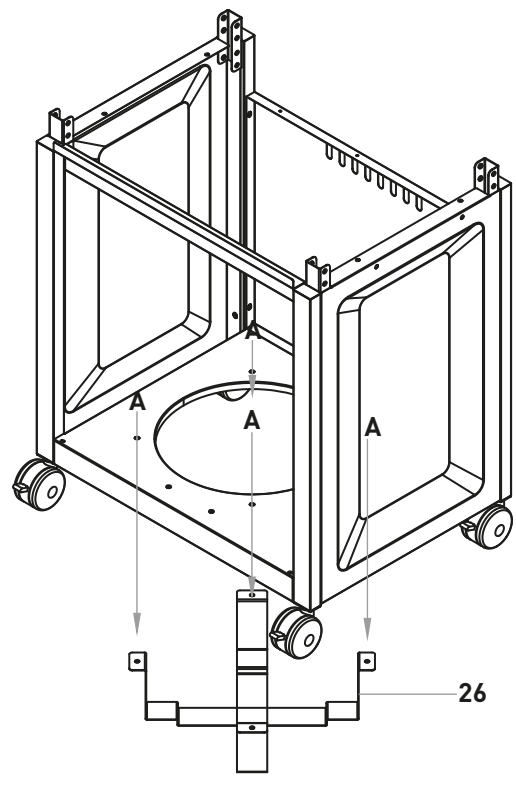
28		4
----	---	---

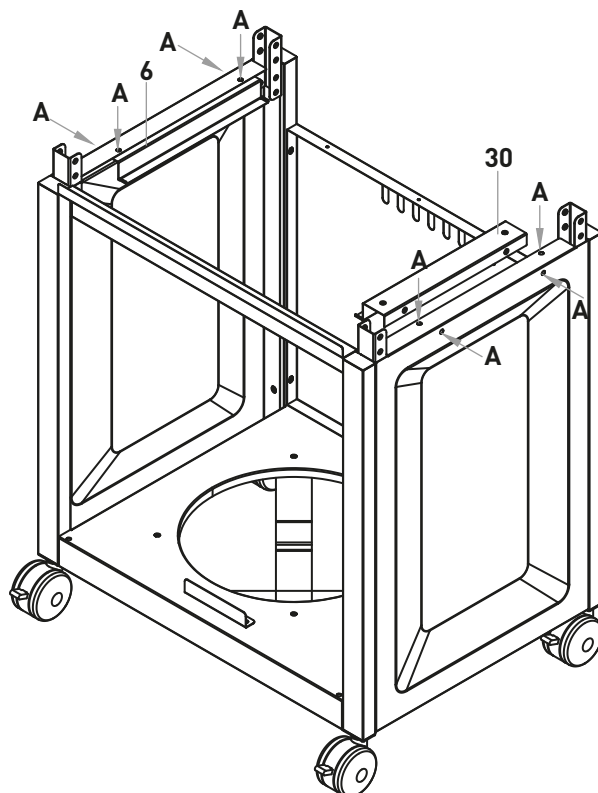
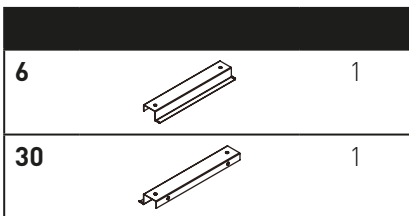
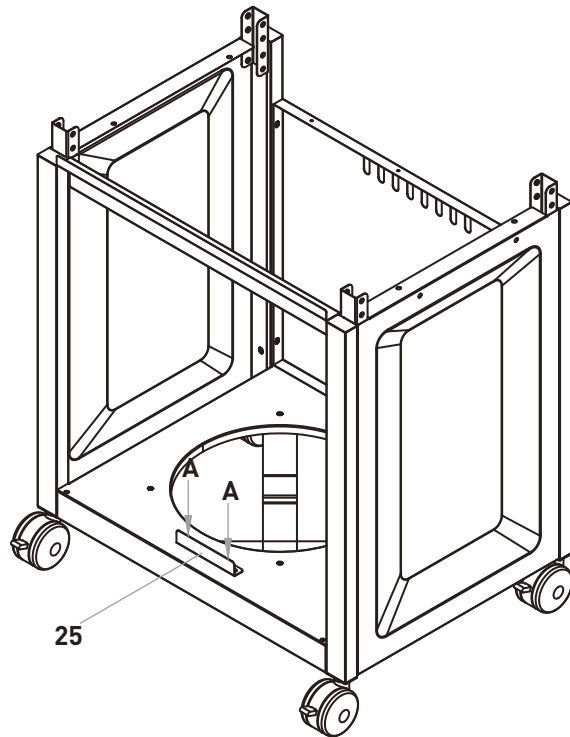
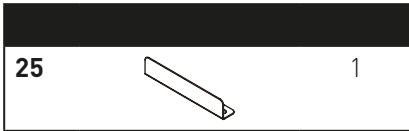
G		1
---	---	---

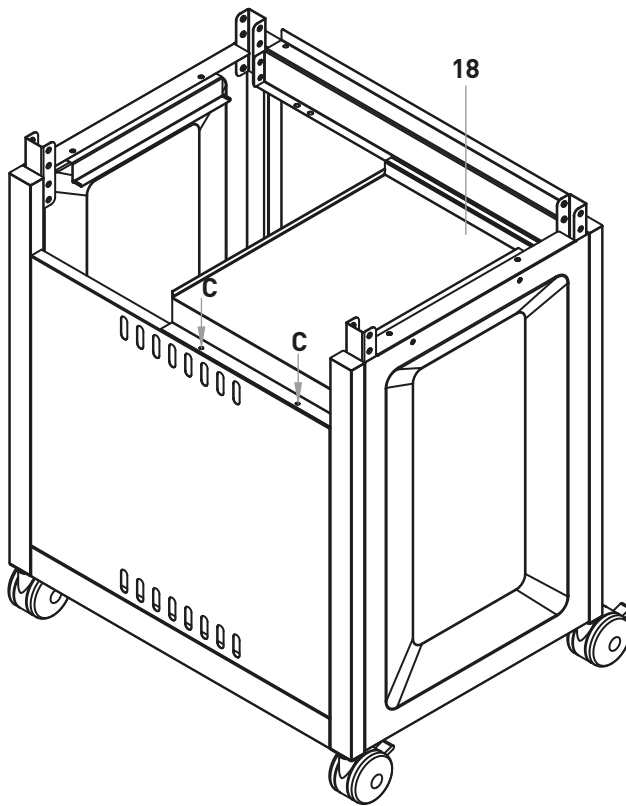
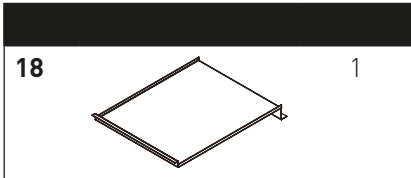



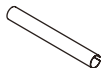
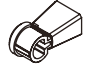




26		2
----	---	---

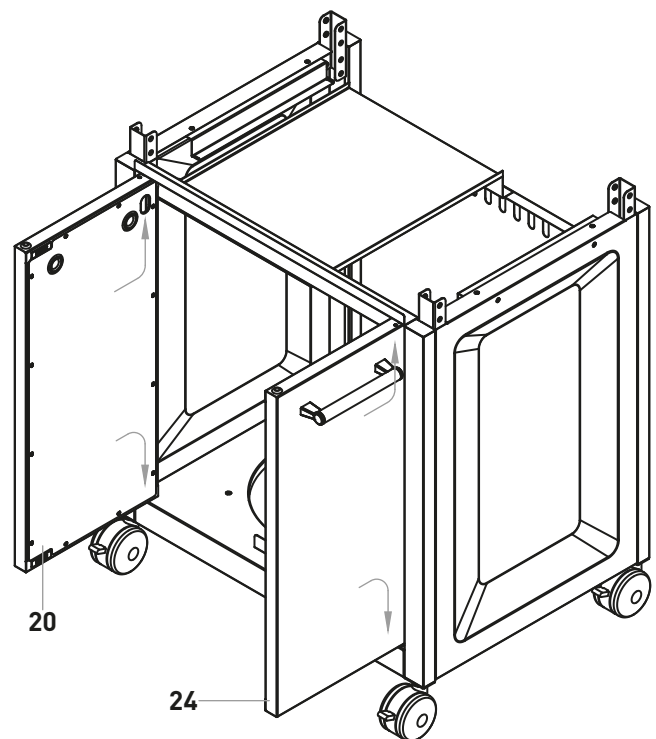
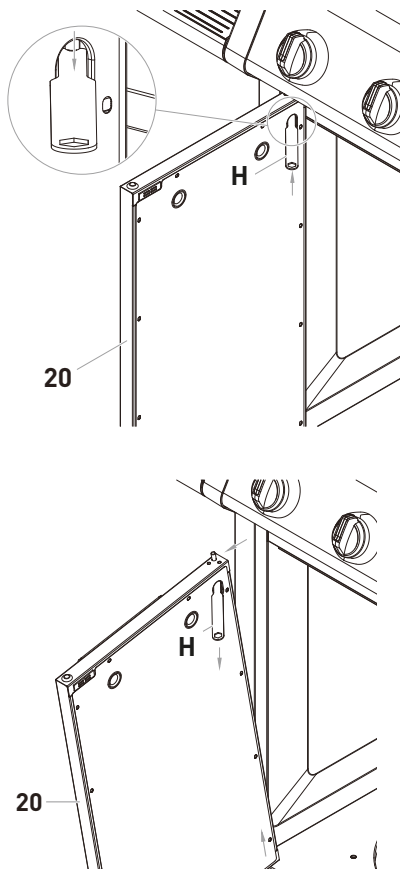
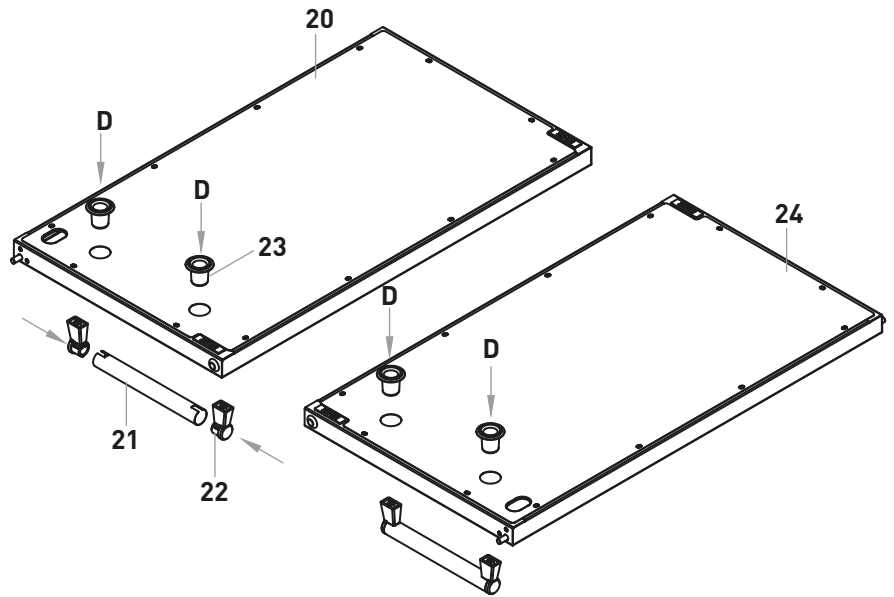
A	 M6x12	4
---	---	---

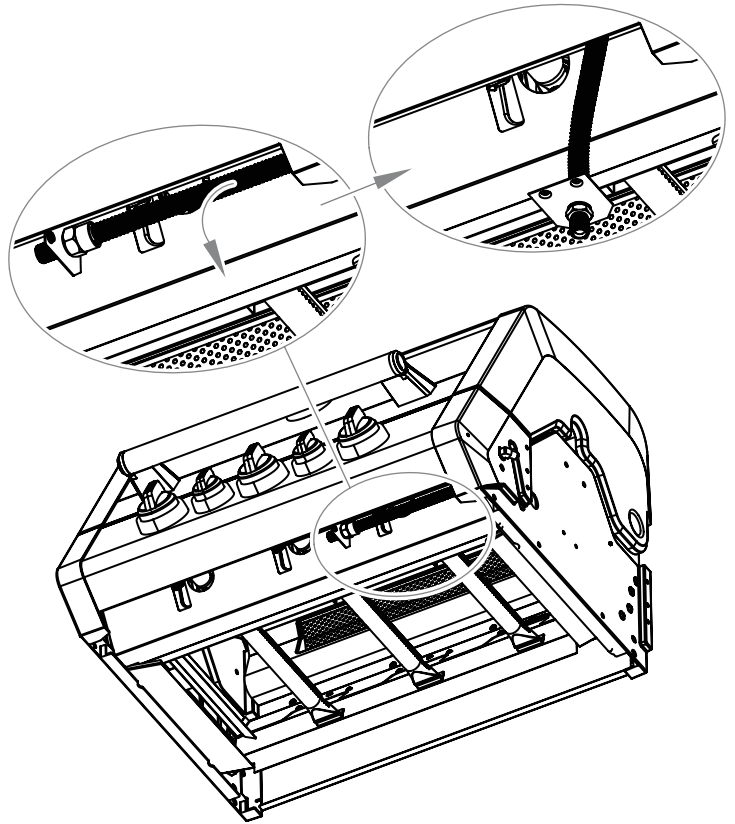
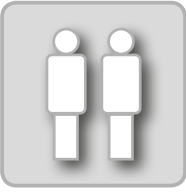


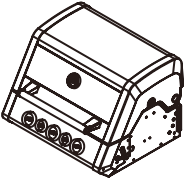


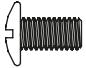


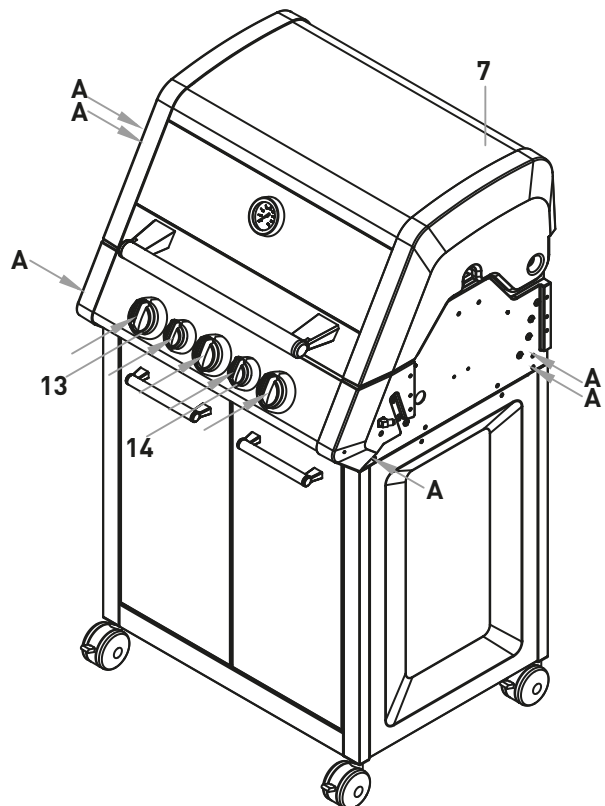


20		1
21		2
22		4
23		4
24		1
D	 ST4x14	4
H		

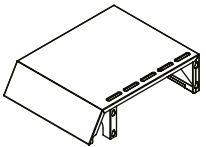
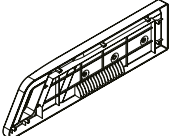



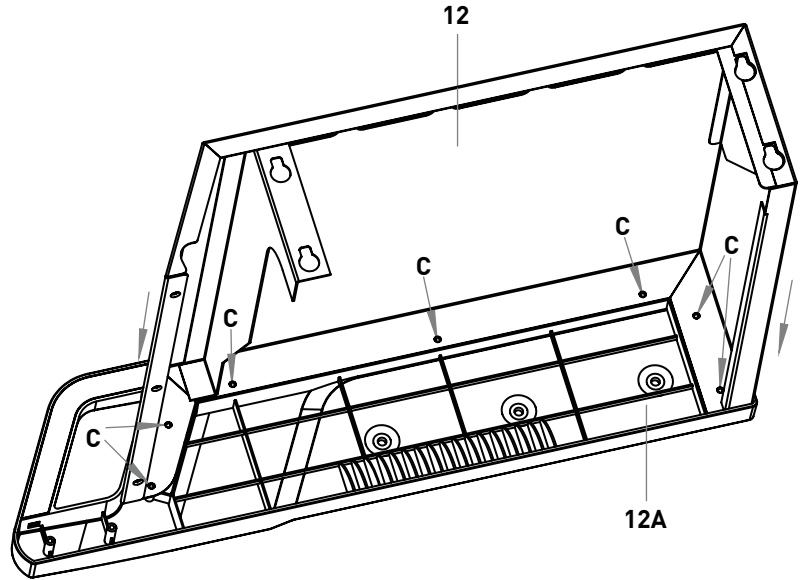


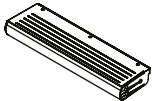


7		1
13		3
14		2
A	 M6x12	6

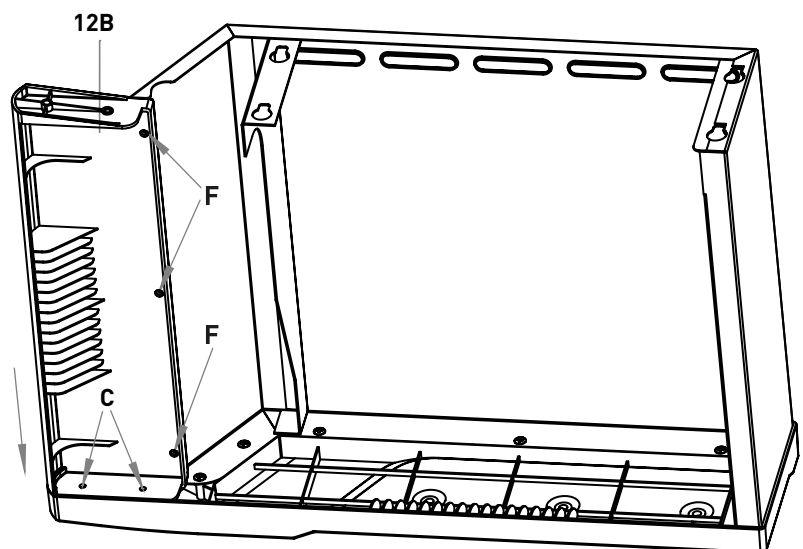


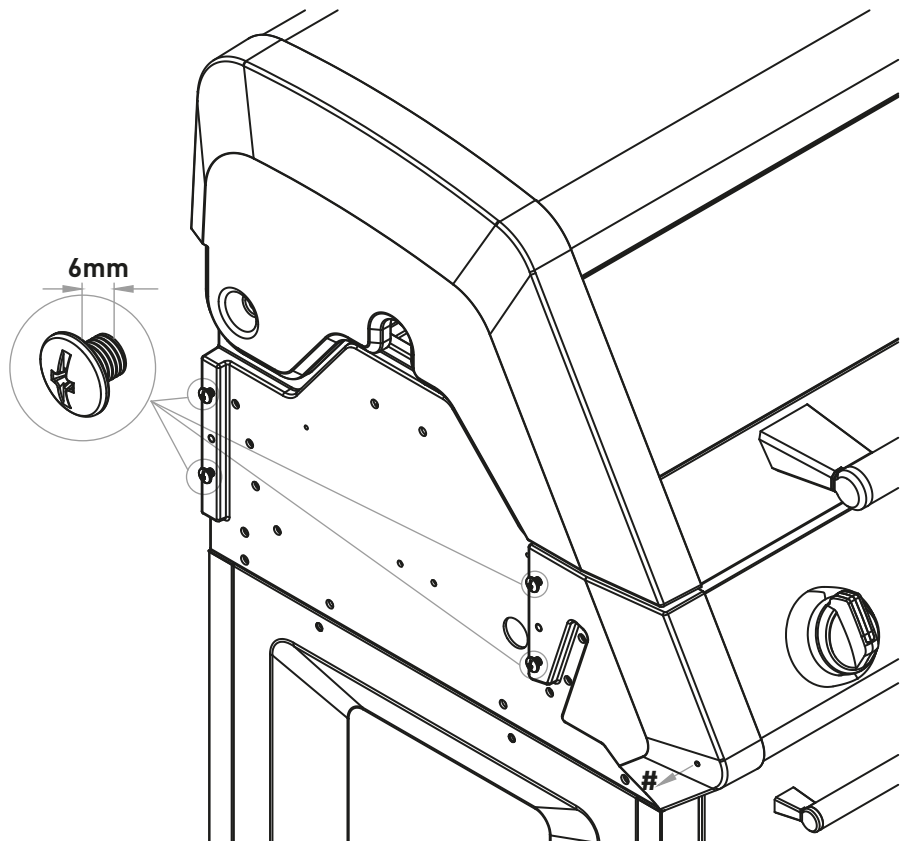


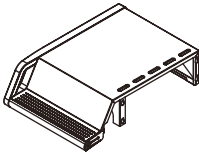


12		1
12A		1
C		7

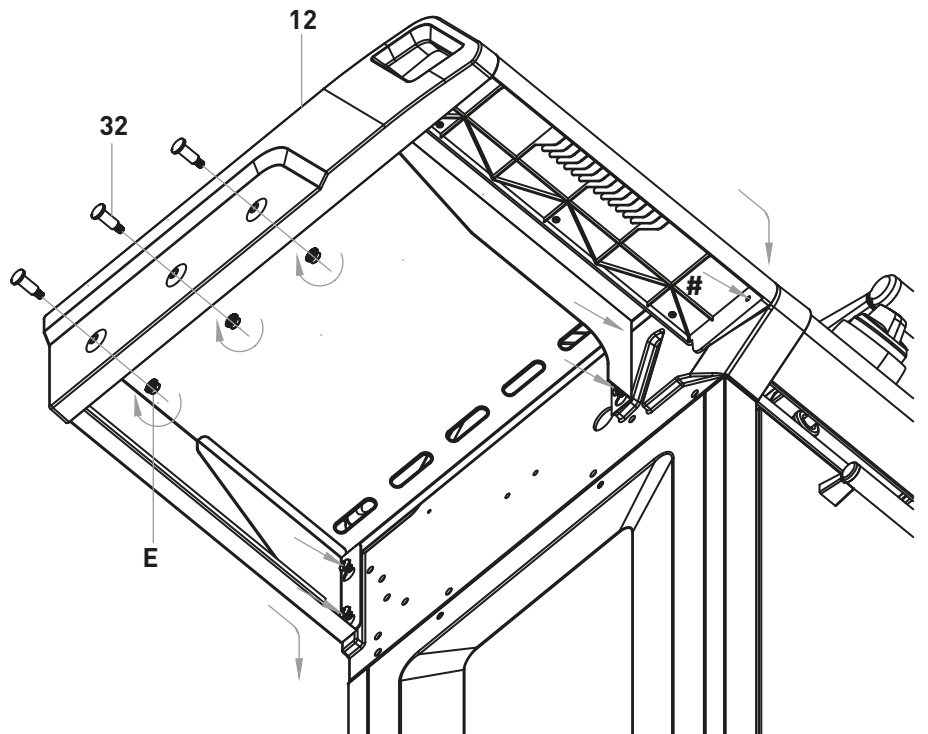


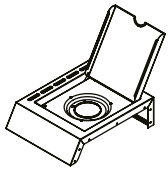
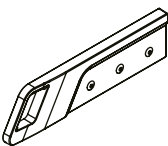

12B		1
F		3
C		2

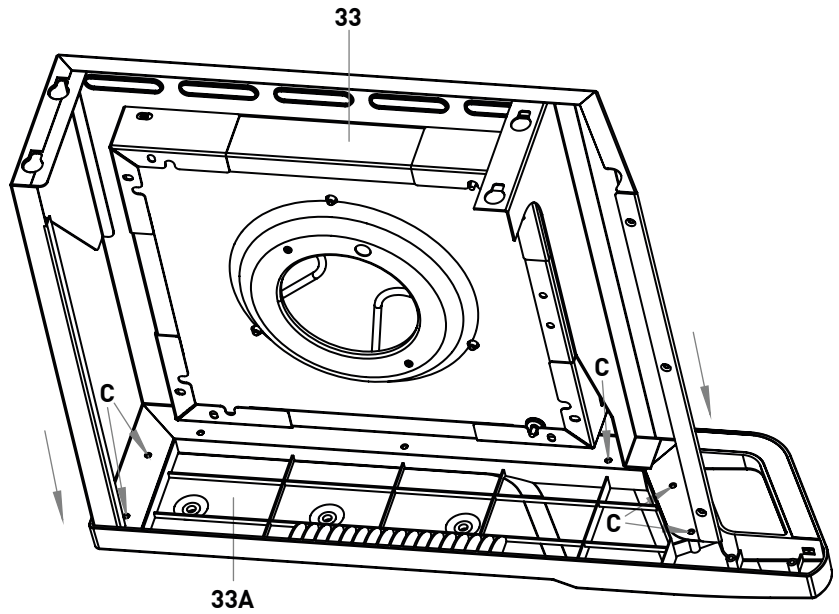


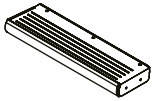




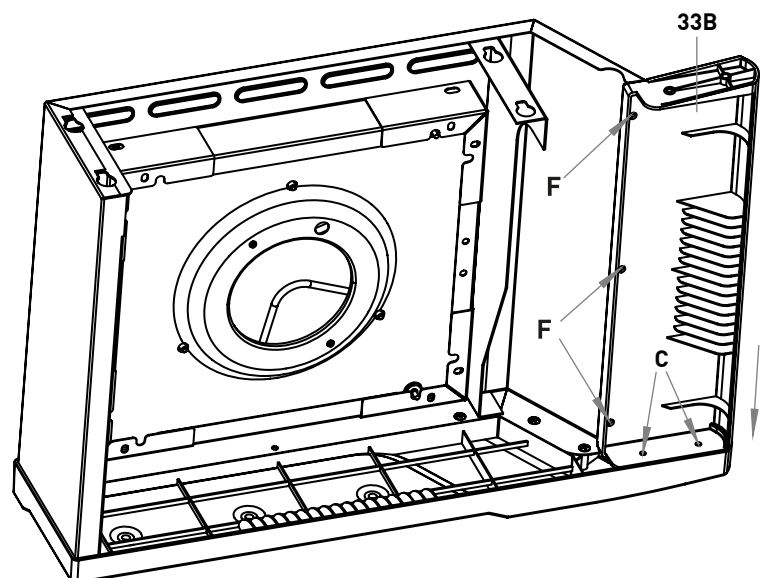
12		1
32		3
E		3

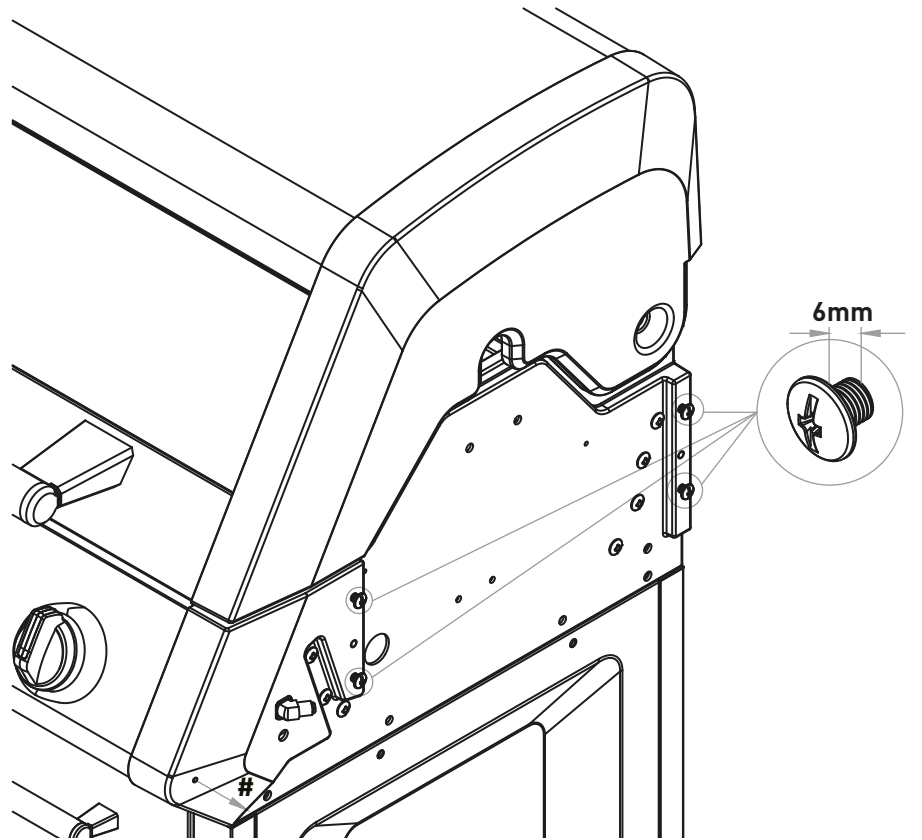



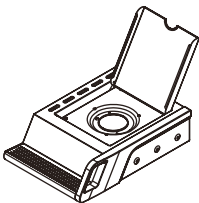

33		1
33A		1
C	 ST4x10	5

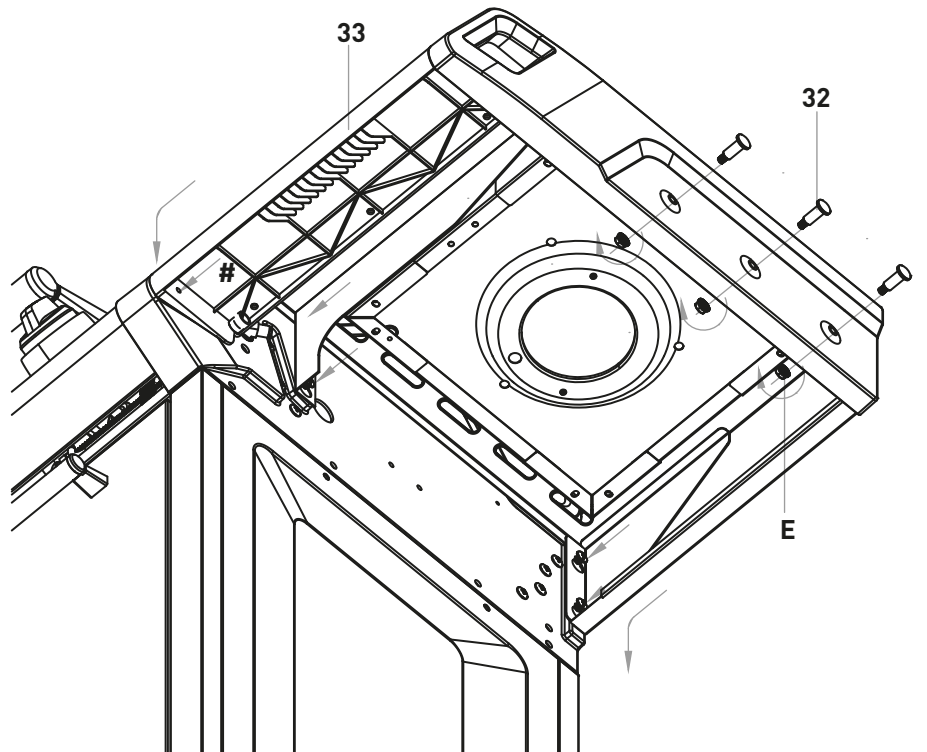


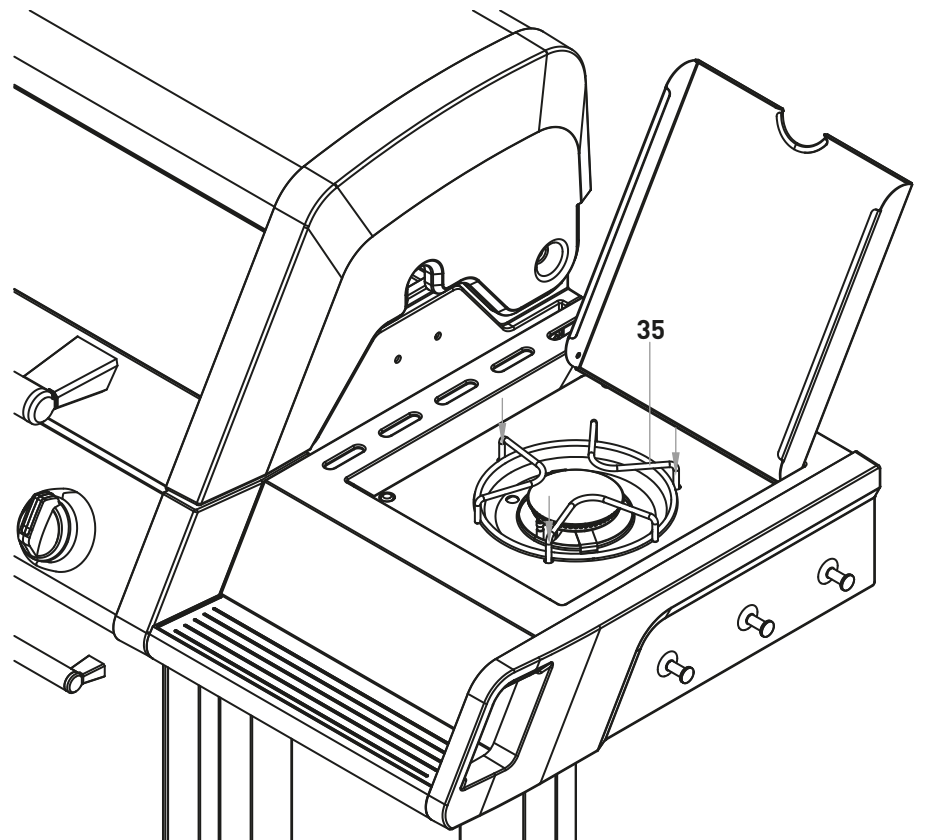
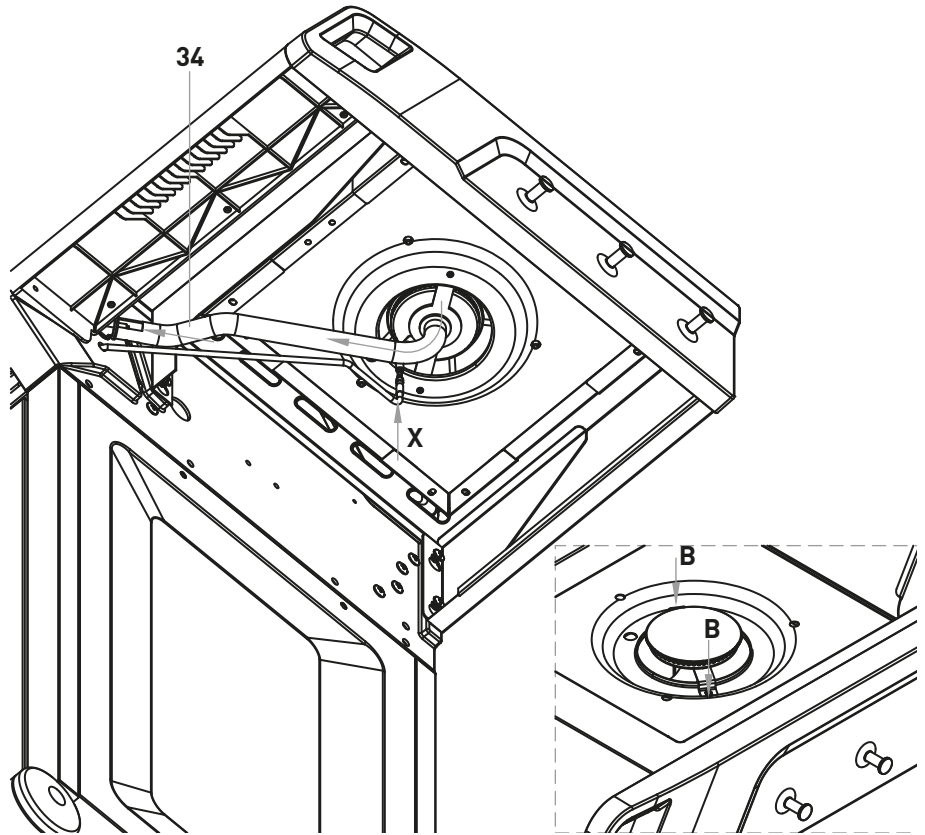
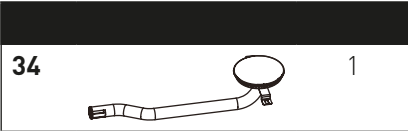
33B		1
F	 M5x10	3
C	 ST4x10	2



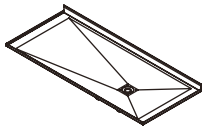


32		3
33		1
E	 M6	3

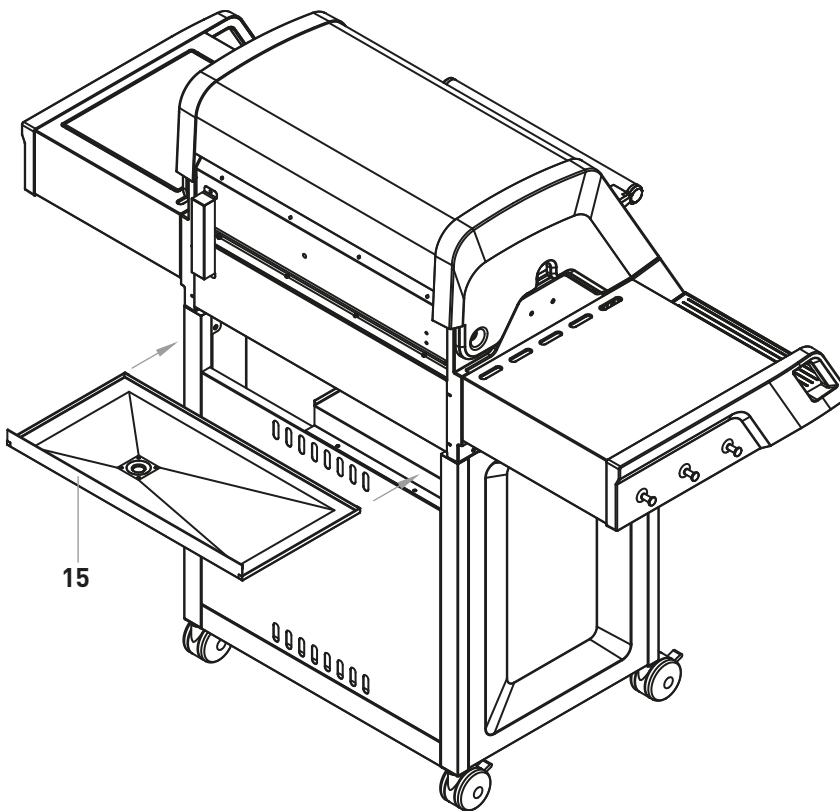




15



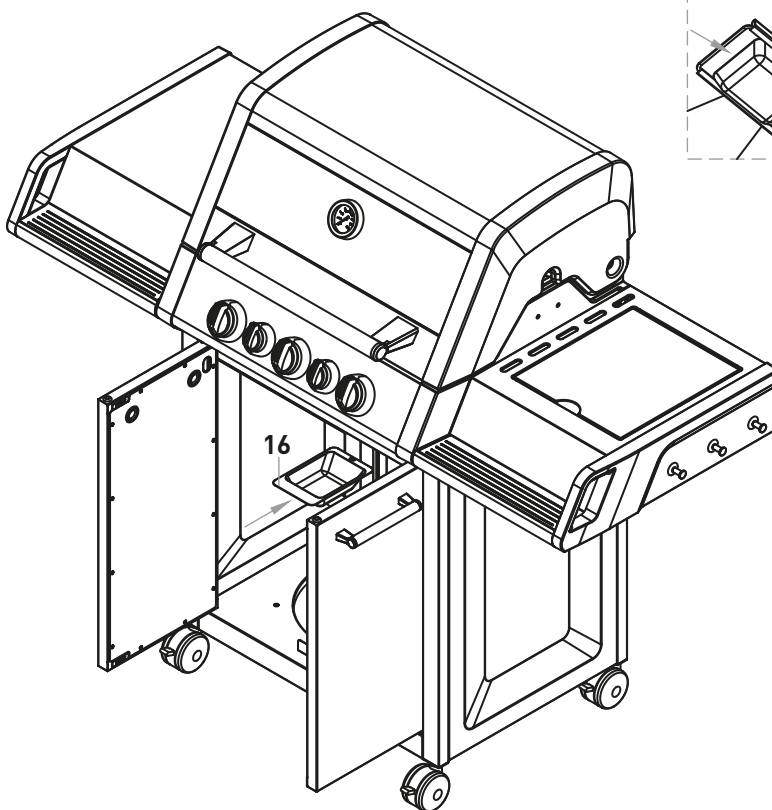
1

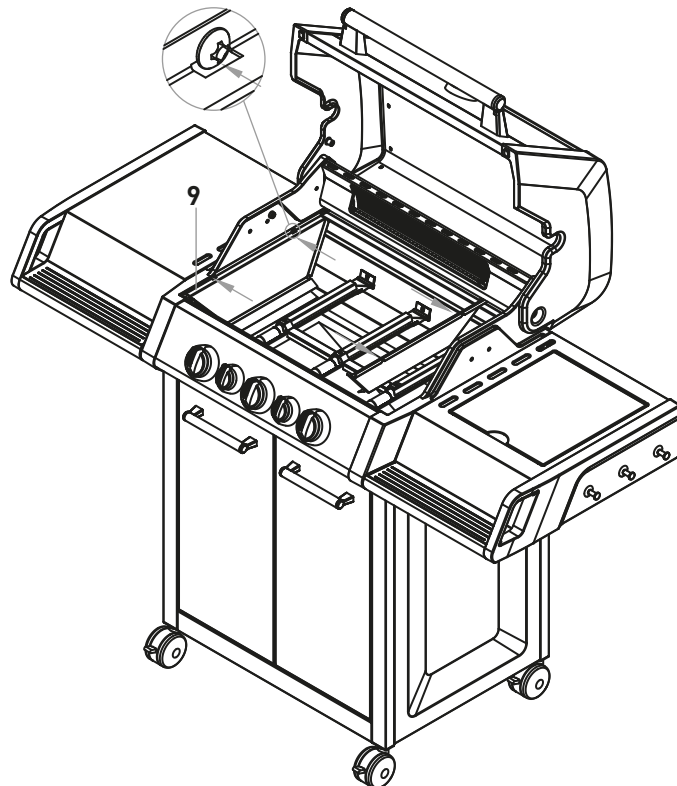
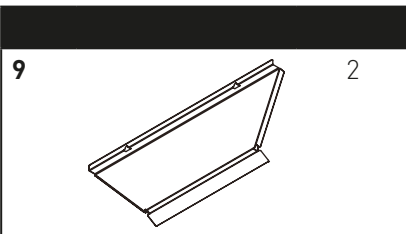
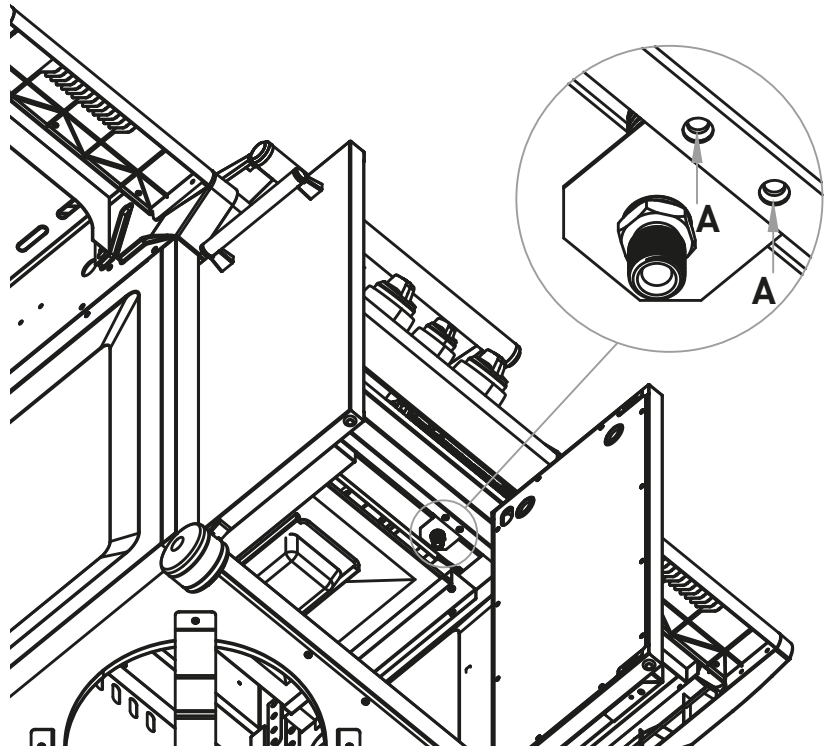
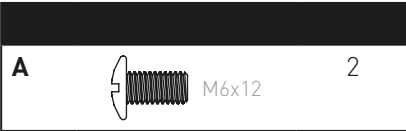


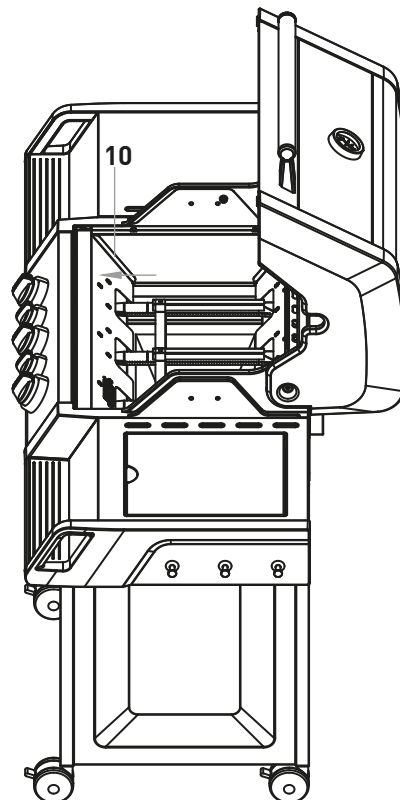
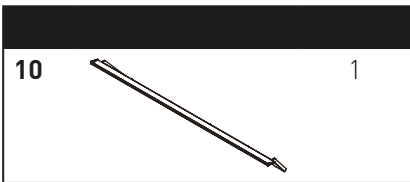
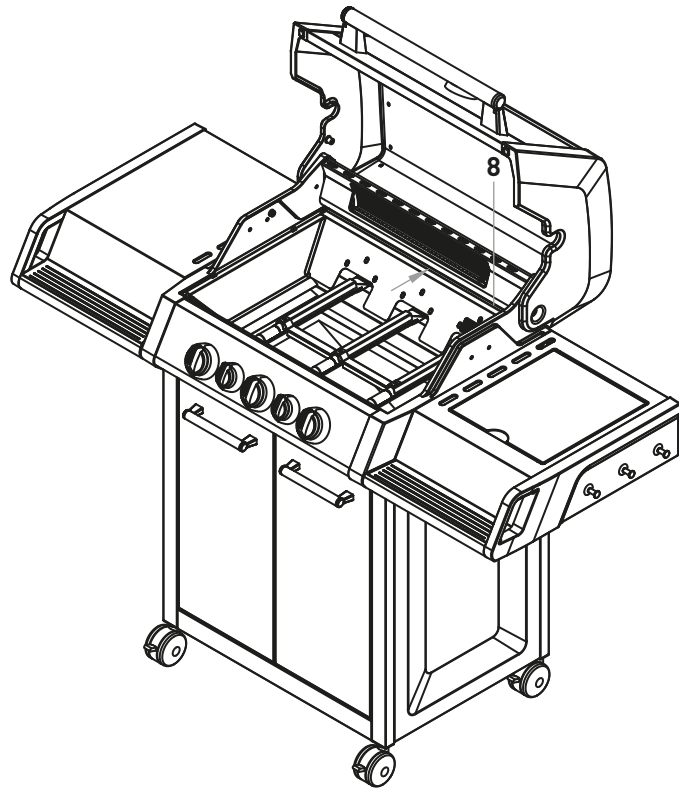
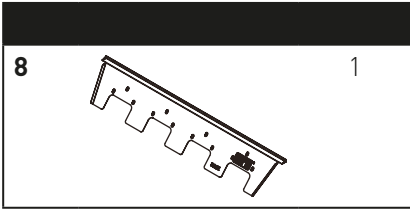
16



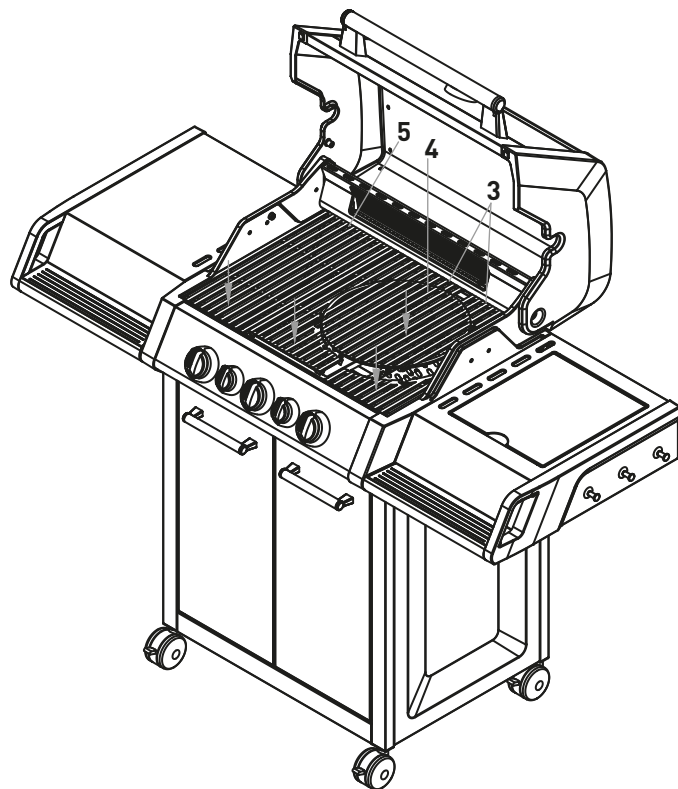
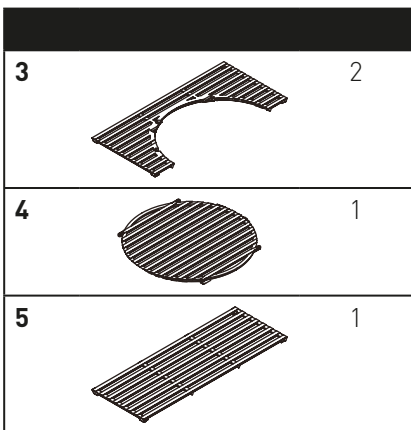
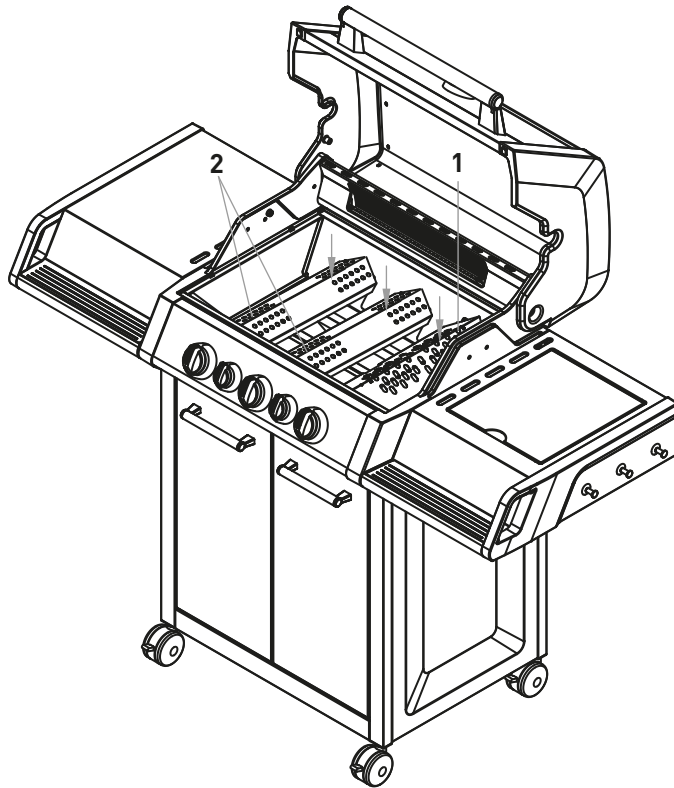
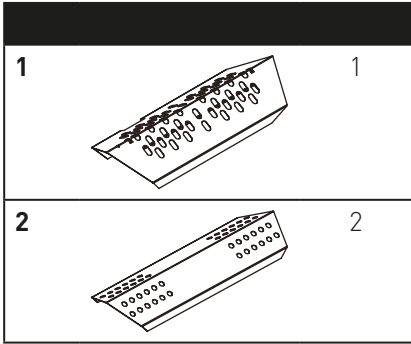
1

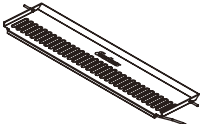

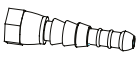



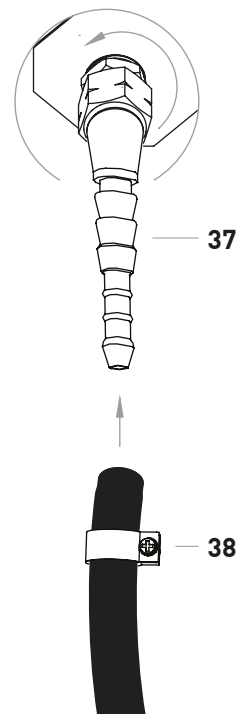
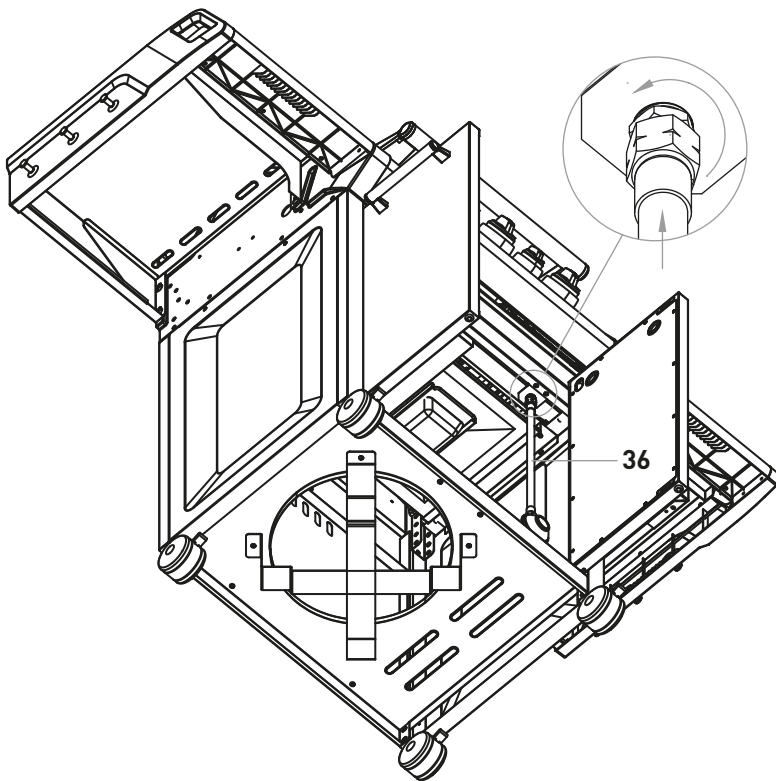
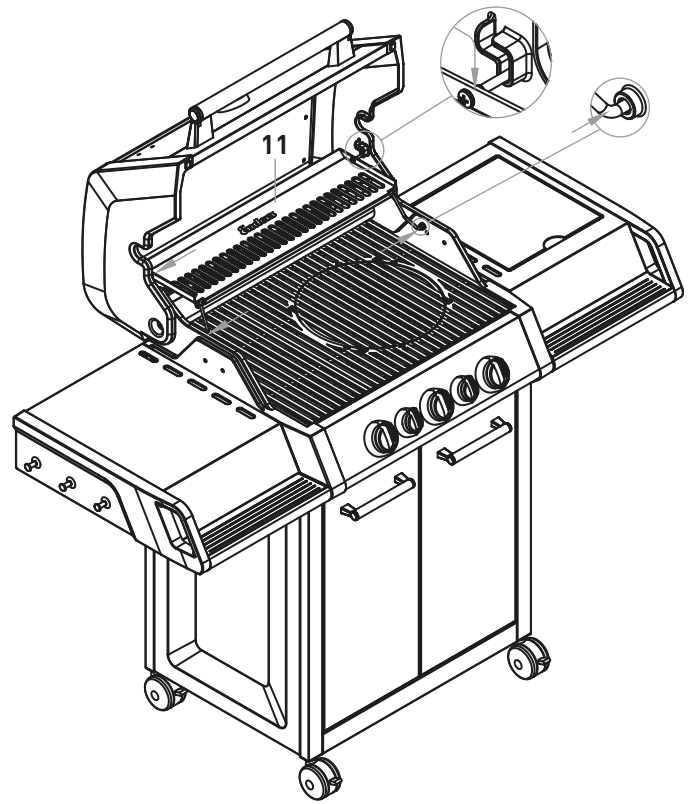








11		1
36		0
37		1
38		0







**Enders Colsman AG**

Brauck 1

D-58791 Werdohl, Deutschland

Tel +49 (0) 2392 - 9782 222

[www.enders-germany.com](http://www.enders-germany.com)

210420

---