

# OWNER'S MANUAL | MANUEL DE L'UTILISATEUR MANUAL DEL PROPIETARIO | HANDBUCH | MANUALE DELL'UTENTE

MODEL / MODÈLE / MODELO / MODELL / MODELLO : PB550G, PB700G, PB850G, PB1150G  
PART / PIÈCE / PARTE / TEIL / PARTE : 10613, 10614, 10615, 10616



# PIT BOSS® NAVIGATOR



## WOOD PELLET GRILL & SMOKER

IMPORTANT, READ CAREFULLY, RETAIN FOR FUTURE REFERENCE. MANUAL MUST BE READ BEFORE OPERATING!

## FUMOIR ET GRIL À GRANULÉS DE BOIS

IMPORTANT, PRENEZ CONNAISSANCE DE CE DOCUMENT ET CONSERVEZ-LE POUR RÉFÉRENCE ULTÉRIEURE. VOUS DEVEZ LIRE CE GUIDE AVANT D'UTILISER LE BARBECUE!

## PARRILLA Y AHUMADOR DE PELLETS DE MADERA

IMPORTANTE, LEER DETENIDAMENTE, CONSERVAR PARA REFERENCIA FUTURA. LEA EL MANUAL ANTES DEL USO!

## HOLZPELLET-GRILL UND SMOKER

WICHTIG: AUFMERKSAM LESEN UND GUT AUFBEWAHREN BITTE UNBEDINGT VOR GEBRAUCH DIE BEDIENUNGSANLEITUNG SORGFÄLTIG DURCHLESEN!

## GRIGLIA A PELLETTI DI LEGNO CON AFFUMICATORE

IMPORTANTE: LEGGERE ATTENTAMENTE E CONSERVARE PER RIFERIMENTO FUTURO. LEGGERE IL MANUALE PRIMA DELL'USO.

**WARNING:** PLEASE READ THE ENTIRE MANUAL BEFORE INSTALLATION AND USE OF THIS ELECTRIC, PELLET FUEL-BURNING APPLIANCE. FAILURE TO FOLLOW THESE INSTRUCTIONS COULD RESULT IN PROPERTY DAMAGE, BODILY INJURY OR EVEN DEATH. CONTACT LOCAL BUILDING OR FIRE OFFICIALS ABOUT RESTRICTIONS AND INSTALLATION INSPECTION REQUIREMENTS IN YOUR AREA.

**AVERTISSEMENT :** VEUILLEZ LIRE L'INTÉGRALITÉ DU MANUEL AVANT L'INSTALLATION ET L'UTILISATION DE CET APPAREIL ÉLECTRIQUE À COMBUSTION DE GRANULÉS DE BOIS. LE NON-RESPECT DE CES INSTRUCTIONS PEUT ENTRAÎNER DES DOMMAGES MATÉRIELS, DES DOMMAGES CORPORELS OU MÊME LA MORT. CONTACTEZ LES AUTORITÉS LOCALES COMPÉTENTES CONCERNANT LES RESTRICTIONS ET LES EXIGENCES D'INSPECTION EN VIGUEUR DANS VOTRE RÉGION.

**ADVERTENCIA:** LEA TODO EL MANUAL ANTES DE INSTALAR Y USAR ESTA UNIDAD QUE FUNCIONA CON ELECTRICIDAD Y COMBUSTIÓN DE PELLETS. SI NO SE SIGUEN ESTAS INSTRUCCIONES, PUEDEN PRODUCIRSE DAÑOS MATERIALES, LESIONES CORPORALES O INCLUSO LA MUERTE. PARA CONSULTAR LAS RESTRICCIONES Y REQUISITOS DE INSPECCIÓN DE LAS INSTALACIONES DE SU ZONA, PÓNGASE EN CONTACTO CON LOS ENCARGADOS DE EDIFICIO O EL DEPARTAMENTO DE BOMBEROS.

**ACHTUNG:** BITTE LESEN SIE DIE GESAMTE ANLEITUNG SORGFÄLTIG DURCH, BEVOR SIE DIESES ELEKTRISCHE, PELLETTBEFEUERTER GERÄT INSTALLIEREN UND BENUTZEN. DIE NICHTBEACHTUNG DIESER ANWEISUNGEN KANN ZU SACHSCHÄDEN, KÖRPERVERLETZUNGEN ODER Sogar ZUM TOD FÜHREN. WENDEN SIE SICH AN LOKALE BAU- ODER BRANDSCHUTZBEHÖRDEN, UM INFORMATIONEN ÜBER EINSCHRÄNKUNGEN UND ANFORDERUNGEN AN DIE INSTALLATIONSINSPEKTION IN IHRER NÄHE ZU ERHALTEN.

**AVVERTENZA:** LEGGERE L'INTERO MANUALE PRIMA DELL'INSTALLAZIONE E DELL'USO DI QUESTA APPARECCHIATURA ELETTRICA PER LA COMBUSTIONE DI PELLETTI. LA MANCATA OSSERVANZA DELLE ISTRUZIONI PUÒ CAUSARE DANNI ALLA PROPRIETÀ, LESIONI FISICHE O MORTE. CONTATTARE LE AUTORITÀ LOCALI COMPETENTI PER L'EDILIZIA O I VIGILI DEL FUOCO PER INFORMAZIONI SULLE RESTRICZIONI E SUI REQUISITI DI ISPEZIONE DEGLI IMPIANTI NELLA PROPRIA ZONA.



For outdoor and household use only. Not for commercial use.  
Réservé à l'usage extérieur et résidentiel uniquement. Non destiné à un usage commercial.  
Solo para uso doméstico y en el exterior. No apto para uso comercial.  
Bitte nur im Freien und privat nutzen. Nicht für die gewerbliche Anwendung geeignet.  
Solo per uso domestico ed esterno. Non per uso commerciale.

# SAFETY INFORMATION

**MAJOR CAUSES OF APPLIANCE FIRES ARE A RESULT OF POOR MAINTENANCE AND A FAILURE TO MAINTAIN REQUIRED CLEARANCE TO COMBUSTIBLE MATERIALS. IT IS OF UTMOST IMPORTANCE THAT THIS PRODUCT BE USED ONLY IN ACCORDANCE TO THE FOLLOWING INSTRUCTIONS.**

Please read and understand this entire manual before attempting to assemble, operate or install the product. This will ensure you receive the most enjoyable and trouble-free operation of your new wood pellet grill. We also advise you retain this manual for future reference.

## DANGERS AND WARNINGS

**You must contact your local home association, building or fire officials, or authority having jurisdiction, to obtain the necessary permits, mission or information on any installation restrictions, such as any grill being installed on a combustible surface, inspection requirements or even ability to use, in your area.**

1. A minimum clearance of 914mm (36 inches) from combustible constructions to the sides of the grill, and 914mm (36 inches) from the back of the grill to combustible constructions must be maintained. **Do not install appliance on combustible floors, or floors protected with combustible surfaces unless proper permits and permissions are obtained by authorities having jurisdiction.** Do not use this appliance indoors, in an enclosed or unventilated area, inside homes, vehicles, tents, garages. This wood pellet appliance must not be placed under overhead combustible ceiling or overhang. Keep your grill in an area clear and free from combustible materials, gasoline and other flammable vapors and liquids.

**Should a grease fire occur, turn the grill OFF and leave the lid closed until the fire is out. Unplug the power cord. Do not throw water on the unit. Do not try to smother the fire. Use of an all-class (class ABC) approved fire extinguisher is valuable to keep on site. If an uncontrolled fire does occur, call the Fire Department.**

2. Keep electrical supply cords and the fuel away from heated surfaces. Do not use your grill in the rain or around any water source.
3. After a period of storage, or non-use, check the burn grate for obstructions, the hopper for foreign objects, and any air blockage around the fan intake or chimney. Clean before use. Regular care and maintenance is required to prolong the lifespan of your unit. **If the grill is stored outside during the rainy season or seasons of high humidity, care should be taken to insure that water does not get into the hopper.** When wet or exposed to high humidity, wood pellets will expand greatly, decompose, and may jam the feed system. Always disconnect the power, before performing any service or maintenance.

**Do not transport your grill while in use or while the grill is hot. Ensure the fire is completely out and that the grill is completely cool to the touch before moving.**

4. It is recommended to use heat-resistant barbecue mitts or gloves when operating the grill. Do not use accessories not specified for use with this appliance. Do not put a barbecue cover or anything flammable in the storage space area under the barbecue.
5. To prevent fingers, clothing or other objects from coming in contact with the auger feed system, the appliance is equipped with a metal safety screen, mounted to the interior of the hopper. This screen must not be removed unless directed by Customer Service or an authorized dealer.

**This appliance is not recommended for children, persons with reduced physical, sensory or mental capabilities, or lack of experience and knowledge, unless they are under direct supervision or instruction by a person responsible for their safety.**

6. Parts of the barbecue may be very hot, and serious injury may occur. Keep young children and pets away while in use.

7. Do not enlarge igniter holes or burn pots. Failure to follow this warning could lead to a fire hazard and bodily harm and will void your warranty.
8. Product may have sharp edges or points. Contact may result in injury. Handle with care.

## DISPOSAL OF ASHES

Ashes should be placed in a metal container with a tight-fitting lid. The closed container of ashes should be placed on a non-combustible floor or on the ground, well away from all combustible materials, pending final disposal. When ashes are disposed by burial in soil, or otherwise locally dispersed, they should be retained in a closed container until all cinders have thoroughly cooled.

## WOOD PELLET FUEL

This pellet cooking appliance is designed and approved for pelletized, all natural, wood fuel only. Any other type of fuel burned in this appliance will void the warranty and safety listing. You must only use all natural wood pellets, designed for burning in pellet barbecue grills. Do not use fuel with additives.

**Do not use spirit, petrol, gasoline, lighter-fluid or kerosene for lighting or refreshing a fire in your grill. Keep all such liquids well away from the appliance when in use.**

At the time of printing, there is no industry standard for barbecue wood pellets, although most pellet mills use the same standards to make wood pellets for domestic use. Further information, can be found at [www.pelletheat.org](http://www.pelletheat.org) or the **Pellet Fuel Institute**.

Contact your local dealer on the quality of pellets in your area, and for information on brand quality. As there is no control over the quality of pellets used, moisture affected pellets, we assume no responsibility to damage caused by poor quality of fuel.

## CREOSOTE

Creosote, or soot, is a tar-like substance. When burning, it produces black smoke with a residue which is also black in color. Soot or creosote is formed when the appliance is operated incorrectly, such as: blockage of the combustion fan, failure to clean and maintain the burn area, or poor air-to-fuel combustion.

It is dangerous to operate this appliance should the flame become dark, sooty, or if the burn pot is overfilled with pellets. When ignited, this creosote makes an extremely hot and uncontrolled fire, similar to a grease fire. Should this happen, turn the unit OFF, let it cool completely, then inspect for maintenance and cleaning. It commonly accumulates along exhaust areas.

If creosote has formed within the unit; allow the unit to warm up at a low temperature, turn off the appliance, then wipe away any formation with a hand towel. Similar to tar, it is much easier to clean when warm, as it becomes liquid.

## CARBON MONOXIDE ("THE SILENT KILLER")

Carbon monoxide is a colorless, odorless, tasteless gas produced by burning gas, wood, propane, charcoal or other fuel. Carbon monoxide reduces the blood's ability to carry oxygen. Low blood oxygen levels can result in headaches, dizziness, weakness, nausea, vomiting, sleepiness, confusion, loss of consciousness or death. Follow these guidelines to prevent this colorless, odorless gas from poisoning you, your family, or others:

- See a doctor if you or others develop cold or flu-like symptoms while cooking or in the vicinity of the appliance. Carbon monoxide poisoning, which can easily be mistaken for a cold or flu, is often detected too late.
- Alcohol consumption and drug use increase the effects of carbon monoxide poisoning.

Carbon monoxide is especially toxic to mother and child during pregnancy, infants, the elderly, smokers, and people with blood or circulatory system problems, such as anemia, or heart disease.

## SAFETY LISTING

Conforms to EN 60335-2-102:2016, EN 60335-1:2012 + A11:2014 + A13:2017 + A1: 2021 + A14: 2021 + A2: 2021, EN62233: 2008, EN 55014-1:2017, EN 61000-3-2:2014, EN 61000-3-3:2013, EN 55014-2:2015.



# TABLE OF CONTENTS

Safety Information .....	2	Replacement Parts	
Operating Instructions		PB550G Grill Replacement Parts .....	16
Grill Environment .....	5	PB700G Grill Replacement Parts .....	18
Grill Temperature Ranges .....	6	PB850G Grill Replacement Parts .....	20
Understanding The Control Board .....	7	PB1150G Grill Replacement Parts .....	22
Understanding The Probes .....	8	PB550G Hopper Replacement Parts.....	24
Understanding The "P" Setting .....	8	PB700G / PB850G / PB1150G Hopper Replacement Parts.....	25
Hopper Priming Procedure .....	8	Warranty	
First Use – Grill Burn-Off .....	9	Conditions.....	26
Automatic Start-Up Procedure.....	9	Exceptions.....	26
Manual Start-Up Procedure .....	9	Ordering Replacement Parts .....	27
Shutting Off Your Smoker .....	10	Contact Customer Service .....	27
Care & Maintenance .....	10	Warranty Service .....	27
Tips & Techniques .....	12		
Troubleshooting .....	13		
Electrical Wire Diagram .....	15		



## COPYRIGHT NOTICE

Copyright 2021. All right reserved. No part of this manual may be copied, transmitted, transcribed, stored in a retrieval system, in any form or by any means without expressed written permission of,

### Dansons

3411 North 5th Avenue, Suite 500, Phoenix, AZ, USA 85013  
sales@pitboss-grills.com | service@pitboss-grills.com  
[www.pitboss-grills.com](http://www.pitboss-grills.com)

### Customer Service

Monday through Sunday, 4am - 8pm PST (EN/FR/ES)  
**Toll-Free: 1-877-303-3134, Fax: 1-877-303-3135**

# OPERATING INSTRUCTIONS

*With today's lifestyle of striving to eat healthy and nutritious foods, one factor to consider is the importance of reducing fat intake. One of the best ways to cut down on fat in your diet is to use a low fat method of cooking, such as grilling. As a pellet grill uses natural wood pellets, the savory wood flavor is cooked into the meats, reducing the need for high sugar content sauces. Throughout this manual, you will notice the emphasis on grilling food slowly at LOW or MEDIUM temperature settings.*

## GRILL ENVIRONMENT

### 1. WHERE TO SET-UP THE GRILL

With all outdoor appliances, outside weather conditions play a big part in the performance of your grill and the cooking time needed to perfect your meals.

All Pit Boss® units should keep a minimum clearance of 914mm (36 inches) from combustible constructions, and this clearance must be maintained while the grill is operational. This appliance must not be placed under overhead combustible ceiling or overhang. Keep your grill in an area clear from combustible materials, gasoline and other flammable vapors and liquids.

### 2. COLD WEATHER COOKING

As it becomes cooler outside, that does not mean that grilling season is over! The crisp cool air and heavenly aroma of smoked foods will help cure your winter blues.

Follow these suggestions on how to enjoy your grill throughout the cooler months:

- If smoking at low temperatures fails, increase the temperature slightly to achieve the same results.
- Organize – Get everything you require ready in the kitchen before you head outdoors. During the winter, move your grill to an area that is out of the wind and direct cold. Check local bylaws regarding the proximity of your grill in relation to your home and/or other structures. Put everything you need on a tray, bundle up tight, and get it done!
- To help keep track of the outside temperature, place an outdoor thermometer close to your cooking area. Keep a log or history of what you cooked, the outdoor temperature, and the cooking time. This will help later down the road to help you determine what to cook and how long it will take.
- In very cold weather, increase your preheating time by at least 20 minutes.
- Avoid lifting the lid any more than necessary. Cold gusts of wind can completely cool your grill temperature. Be flexible with your serving time; add extra cooking time each time you open the lid.
- Have a heated platter or a dish cover ready to keep your food warm while making the trip back inside.
- Ideal foods for winter cooking are those that require little attention, such as roasts, whole chickens, ribs, and turkey. Make your meal preparation even easier by adding simple items such as vegetables and potatoes.

### 3. HOT WEATHER COOKING

As it becomes warmer outdoors, the cooking time will decrease.

Follow these few suggestions on how to enjoy your grill throughout the hot months:

- Adjust your cooking temperatures downward. This helps to avoid unwanted flare-ups.
- Use a meat thermometer to determine the internal temperature of your foods. This helps in preventing your meat from over cooking and drying out.
- Even in hot weather it is still better to cook with the lid of your grill down.
- You can keep foods hot by wrapping them in foil, and placing them in an insulated cooler. Stuff crumpled up newspaper around the foil and this will keep food hot for 3 to 4 hours.

## GRILL TEMPERATURE RANGES

Temperature readouts on the control board may not exactly match the thermometer. All temperatures listed below are approximate and are affected by the following factors: outside ambient temperature, the amount and direction of wind, the quality of pellet fuel being used, the lid being opened, and the quantity of food being cooked.

- *HIGH TEMPERATURE (205-260°C / 401-500°F)*

This range is best used to sear and grill at a high heat. Use in tandem with the flame broiler (slide plate) for indirect or direct flame cooking. With the **flame broiler open**, direct flame is used to create those “blue” steaks, as well as flame-kissed vegetables, garlic toast or s’mores! When the **flame broiler is closed**, the air circulates around the barrel, resulting in convection heat. High temperature is also used to preheat your grill, burn-off the cooking grids, and to achieve high heat in extreme cold weather conditions.

- *MEDIUM TEMPERATURE (135-180°C / 275-356°F)*

This range is best for baking, roasting, and finishing off that slow smoked creation. Cooking at these temperatures will greatly reduce the chances of a grease flare-up. Ensure that the flame broiler slider is in the closed position, covering the slotted openings. Great range for cooking anything wrapped in bacon, or where you want versatility with control.

- *LOW TEMPERATURE (82-125°C / 180-257°F)*

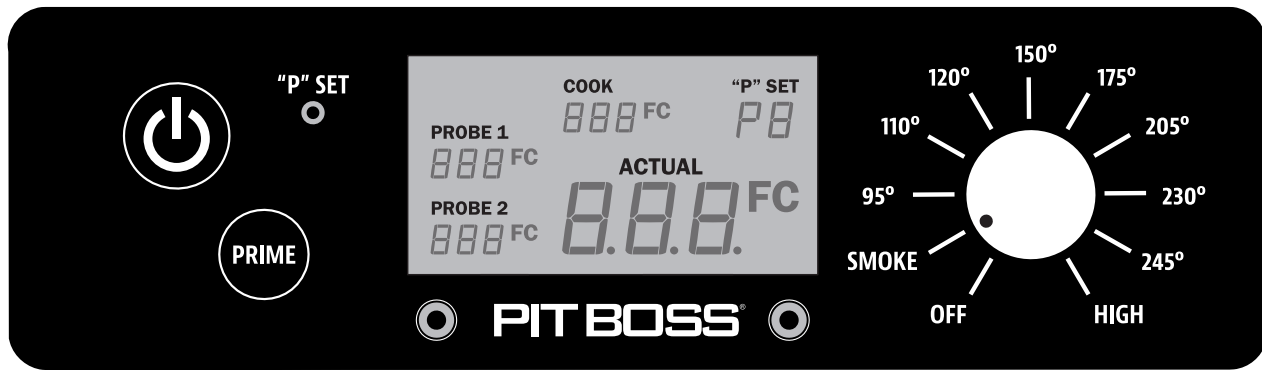
This range is used to slow roast, increase smoky flavor, and to keep foods warm. Infuse more smoke flavor and keep your meats juicy by cooking longer at a lower temperature (also known as **low and slow**). Highly recommended for the big turkey at Thanksgiving, juicy ham at Easter, or the huge holiday feast.








Smoking is a variation on true barbecuing and is truly the main advantage of grilling on a wood pellet grill. **Hot smoking**, another name for **low and slow** cooking, is generally done between 82-125°C / 180-257°F. Hot smoking works best when longer cooking time is required, such as large cuts of meats, fish, or poultry.

**TIP: To intensify that savory flavor, switch to SMOKE (low) temperature range immediately after putting your food on the grill. This allows the smoke to penetrate the meats.**

The key is to experiment with the length of time you allow for smoking, before the meal is finished cooking. Some outdoor chefs prefer to smoke at the end of a cook, allowing the food to keep warm until ready to serve. Practice makes perfect!

## UNDERSTANDING THE CONTROL BOARD



CONTROL	DESCRIPTION
	Press the <b>Power Button</b> to power on the unit. The button will glow blue if connected to a power source. Press the button again to turn the unit off.
	The <b>Temperature Control Dial</b> allows you to set your desired smoking temperature. Once connected to a power source and the Power Button is pressed, turn the dial and select from any of the ten preset temperatures, between 82-260°C / 180-500°F. When the dial is turned to a temperature preset, the Digital LCD Screen will light up, displaying that it is ready to operate. When the dial is turned to off, the Digital LCD Screen will remain off.
	<p>The <b>"P" Set Button</b> is used to select one of the eight fine tunings when the Temperature Control Dial is set to the Smoke Setting. Press the button to change the "P" setting to accommodate to your cooking style and cooking environment, as preferred. With a <b>short push</b> of the button, the setting increases from P0 to P7, then repeats. Adjustments are only possible in the Smoke Setting. Factory default setting is "P4". If the "P" setting is adjusted, your preference will be locked-in (saved) until further adjustment is made.</p> <p>The <b>"P" Set Button</b> is also used as a <b>Temperature Switch Control</b> to change the temperature readout on the LCD Screen. Press <b>and hold</b> the button for two seconds to switch to Celsius (°C) or to Fahrenheit (°F), as preferred. Default is set to Celsius.</p>
	The <b>LCD Screen</b> is used as the information center for your unit. The LCD screen will display your Desired Cook Temperature, Actual Cook Temperature, and Meat Probe Temperatures (if connected). If only one Meat Probe is connected, only one reading will be displayed.
	Press and hold the <b>Prime Button</b> to activate an extra feed of pellets to the Burn Pot. This can be used to add more fuel to the fire before opening the barrel lid, resulting in a quick heat recovery time. It can also be used while smoking, to increase the intensity of clean smoke flavor. Requested from competition cooks.
<b>SMOKE</b>	The <b>Smoke Setting</b> on the Temperature Control Dial is the start-up mode for the unit. The grill operates at the lowest temperature, without the fire going out.
	The plug-in connection port(s) on the front of the Control Board are for a <b>Meat Probe(s)</b> . When a meat probe is connected, the temperature is displayed on the LCD Screen. When not in use, disconnect the meat probe from the connection port. <i>Compatible with Pit Boss® branded meat probes only. Additional meat probe(s) sold separately.</i> 

## UNDERSTANDING THE PROBES

### • GRILL PROBE

Located inside the main barrel, on the left side wall, is the Grill Probe. It is a small, vertical piece of stainless steel. The Grill Probe measures the internal temperature of the unit. When the temperature is adjusted on the Control Board, the Grill Probe will read the actual temperature inside the unit and adjust to the desired temperature.

**IMPORTANT: The temperature of your unit is highly affected by ambient outdoor weather, quality of pellets used, flavor of pellets, and the quantity of food being cooked.**

### • MEAT PROBE

The meat probe measures the internal temperature of your meat in the grill, similar to your indoor oven. Plug-in the meat probe adapter to the meat probe connection port on the Control Board and insert the stainless steel meat probe into the thickest portion of your meat and the temperature will be displayed on the control board. **To ensure the meat probe is connected properly to the connection port, feel and hear it snap into place.**

**NOTE: When placing the meat probe into your meat, ensure the meat probe and meat probe wires avoid direct contact with flame or excess heat. This can result in damage to your meat probe. Run the excess wire out the hole located on the left side of the main grill or the top of the main grill (near the grill lid hinge). When not in use, disconnect from the meat probe connection port and place aside to keep protected and clean.**

## UNDERSTANDING THE "P" SETTING

When the recessed "P" SET button is pushed, the "P" setting displayed on the LCD screen will flash and change to the next value (upward). Once P7 is reached, it will restart at P0. There are eight "P" settings, ranging from P0 to P7. The recessed "P" SET button can be pushed using a thin-tipped object.

**IMPORTANT: Do not push the "P" SET button too hard, as this may cause damage. Only a light push is needed.**

### • USING THE "P" SETTING IN SMOKE MODE

Anytime the temperature dial is set to SMOKE, such as the start-up cycle, the auger will run on more of a manual mode of cooking versus using one of the preset dial temperatures. First, the auger will continuously turn and feed pellets for four minutes. After four minutes, the auger begins to run a feed cycle based on the "P" setting selected on the Digital Control Board. The default setting is P4.

"P" SET	AUGER CYCLE (seconds)	
	ON	OFF
P0	18	55
P1	18	70
P2	18	85
P3	18	100
<b>*P4</b>	<b>18</b>	<b>115</b>
P5	18	130
P6	18	140
P7	18	150

**\* Factory default setting**

## HOPPER PRIMING PROCEDURE

These instructions should be followed the first time the grill is ignited, and each time the grill runs out of pellets in the hopper. The auger must be primed to allow pellets to travel through the length of the auger, and fill the Burn Pot. **If not primed, the igniter will timeout before the pellets are ignited, and no fire will start.** Follow these steps to prime the hopper:

1. Open the hopper lid. Make sure there are no foreign objects in the hopper or blocking the auger feed system at the bottom.
2. Remove all cooking components from the interior of the grill. Locate the Burn Pot in the bottom of the main barrel.
3. Plug the power cord into a power source. Press the **Power Button** to turn the unit on, and turn the **Temperature Control Dial** to the SMOKE position. Check the following items:
  - That you can hear the auger turning. Place your hand above the Burn Pot and feel for air movement. Do not place your hand or fingers inside the Burn Pot. This can cause injury.
  - After approximately a minute, you should smell the igniter burning and begin to feel the air getting warmer in the Burn Pot. The igniter tip does not glow red, but gets extremely hot and will burn. Do not touch the igniter.
4. Once verified that all electric components are working correctly, press the **Power Button** to turn the unit off.
5. Fill the hopper with all natural barbecue wood pellets.
6. Press the **Power Button** to turn the unit on. Keep the **Temperature Control Dial** in the SMOKE position. Press and hold



the **Prime Button** until you see pellets on the inside of the grill from the auger tube. Once pellets begin to drop into the Burn Pot, release the **Prime Button**.

7. Press the **Power Button** to turn the unit off.
8. Re-install the cooking components into the main barrel. The grill is now ready to use.

## FIRST USE – GRILL BURN-OFF

Once your hopper has been primed and before cooking on your grill for the first time, it is important to complete a grill burn-off. Start the grill and operate at any temperature over 176°C / 350°F (with the lid down) for 30 to 40 minutes to burn-off the grill and rid it of any foreign matter.

## AUTOMATIC START-UP PROCEDURE

1. Plug the power cord into a grounded power source. Open the main barrel lid. Check the Burn Pot to ensure there is no obstruction for proper ignition. Open the hopper lid. Ensure there are no foreign objects in the hopper or auger feed system. Fill the hopper with dry, all natural barbecue hardwood pellets.
2. Ensure the **Temperature Control Dial** is in the SMOKE position. Press the **Power Button** to turn the unit on. This will activate the start-up cycle. The auger feed system will begin to turn, the igniter will begin to glow and the fan will supply air to the Burn Pot. The grill will begin to produce smoke while the start-up cycle is taking place. The barrel lid must remain open during the start-up cycle. To confirm the start-up cycle has begun properly, listen for a torchy roar, and notice some heat being produced.
3. Once the heavy, white smoke has dissipated, the start-up cycle is complete and you are ready to enjoy your grill at your desired temperature!

## IGNITER FAILURE PROCEDURE

**If for any reason your electric igniter fails or your grill's flame dies out during a cook, check the following steps, or start your grill using the manual method.**

1. Ensure the **Temperature Control Dial** is in the SMOKE position. Open the barrel lid. Remove the cooking components from inside. Remove all unburnt pellets and ash from the Burn Pot. Avoid touching the igniter to avoid injury, as it may be extremely hot.
2. Once all cooking components are removed and cleaned, press the **Power Button** to turn the unit on. Check the following:
  - Visually confirm that the igniter is working by placing your hand above the Burn Pot and feeling for heat.
  - Visually confirm that the igniter is protruding approximately 13mm / 0.5 inches in the Burn Pot.
  - Visually confirm that the auger is dropping pellets into the Burn Pot.
  - Confirm that the combustion fan is working by listening for a torchy roar.
3. If any of the above points are not working, follow **Troubleshooting** instructions.

## MANUAL START-UP PROCEDURE

1. Ensure the **Temperature Control Dial** is in the **SMOKE** position. Plug the power cord into a grounded power source.
2. Check Burn Pot to ensure there is no obstruction for proper ignition. Open the hopper lid. Ensure there are no foreign objects in the hopper or auger feed system. Fill hopper with dry, all natural hardwood barbecue pellets.
3. Open the barrel lid. Remove the cooking components to expose the Burn Pot. Place a generous handful of pellets into the Burn Pot. Squirt a gelled fire starter, or other appropriate pellet starter, over the top of the pellets. A small amount of solid fuel fire starter, such as one composed of sawdust and wax, or wood shavings, is also appropriate. Add another small amount of pellets in the Burn Pot.

**NOTE: Do not use spirit, petrol, gasoline, lighter-fluid or kerosene for lighting or refreshing a fire in your grill.**

4. Light the contents of the Burn Pot using a long match or long-nosed lighter. Allow the starter to burn for 3 to 5 minutes. Do not attempt to add more starter into the Burn Pot. This can cause injury.
5. Quickly and carefully replace the cooking components to the inside of the main barrel. Continue start-up at step two of **Automatic Start-Up Procedure**.

## SHUTTING OFF YOUR GRILL

1. When finished cooking, with the main barrel lid remaining closed, press the **Power Button** to turn the unit off and turn the **Temperature Control Dial** to OFF. The grill will begin its automatic cool-down cycle. The auger system will stop feeding fuel, the flame will burn out, and the fan will continue to run until the cool-down cycle is complete.

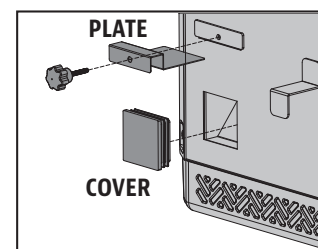
## CARE AND MAINTENANCE

Any Pit Boss® unit will give you many years of flavorful service with minimum cleaning. Follow these cleaning and maintenance tips to service your grill:

### 1. HOPPER ASSEMBLY

- The hopper includes a clean-out feature to allow for ease of cleaning and change out of pellet fuel flavors. To empty, locate the plate and the cover of the drop chute on the back side of the hopper. Place a clean, empty pail under the drop chute cover, then remove the cover piece. Unscrew the plate, slide outwards, and pellets will empty.

**NOTE: Use a long handled brush or shop-vac to remove excess pellets, sawdust, and debris for a complete clean-out through the hopper screen.**



- Running all pellets out of your auger system is recommended if your grill will be unused for an extended period of time. This can be done by simply running your grill, on an empty hopper, until all pellets have emptied from the auger tube.
- Check and clean off any debris from the fan air intake vent, found on the bottom of the hopper. Once the hopper access panel is removed (see **Electric Wire Diagram** for diagram), carefully wipe off any grease build-up directly on the fan blades. This ensures airflow is sufficient to the feed system.

### 2. PROBES

- Kinks or folds in the probe wires may cause damage to the part. Wires should be rolled up in a large, loose coil.
- Although the probes are stainless steel, do not place in the dishwasher or submerge in water. Water damage to the internal wires will cause the probe to short-out, causing false readings. If a probe is damaged, it should be replaced.

### 3. INSIDE SURFACES

- It is recommended to clean your Burn Pot after every few uses. This will ensure proper ignition and avoid any hard build-up of debris or ash in the Burn Pot.
- Use a long-handled grill cleaning brush (brass or soft metal), remove any food or build-up from the cooking grids. Best practice is to do this while they are still warm from a previous cook. Grease fires are caused by too much fallen debris on the cooking components of the grill. Clean the inside of your grill on a consistent basis. In the event you experience a grease fire, keep the grill lid closed to choke out the fire. If the fire does not go out quickly, carefully remove the food, turn the grill off, and shut the lid until the fire is completely out. Lightly sprinkle baking soda, if available.
- Check your grease bucket often, and clean out as necessary. Keep in mind the type of cooking you do.

**IMPORTANT: Due to high heat, do not cover the flame broiler or probes with aluminum foil.**

### 4. OUTSIDE SURFACES

- Wipe your grill down after each use. Use warm soapy water to cut the grease. Do not use oven cleaner, abrasive cleansers or abrasive cleaning pads on the outside grill surfaces. **All painted surfaces are not covered under warranty, but rather are part of general maintenance and upkeep.** For paint scratches, wearing, or flaking of the finish, all painted surfaces can be touched up using high heat BBQ paint.
- Use a grill cover to protect your grill for complete protection! A cover is your best protection against weather and outside pollutants. When not in use or for longterm storage, keep the unit under a cover in a garage or shed.

### CLEANING FREQUENCY TIME TABLE (NORMAL USE)

ITEM	CLEANING FREQUENCY	CLEANING METHOD
Bottom of Main Grill	Every 5-6 Grill Sessions	Scoop Out, Shop-Vac Excess Debris
Burn Pot	Every 2-3 Grill Sessions	Scoop Out, Shop-Vac Excess Debris
Cooking Grids	After Each Grill Session	Burn Off Excess, Brass Wire Brush
Flame Broiler	Every 5-6 Grill Sessions	Scrape Main Plate with Slider, <b>Do Not Wash Clean</b>
Front Shelf	After Each Grill Session	Scrub Pad & Soapy Water
Grease Bucket	After Each Grill Session	Scrub Pad & Soapy Water
Auger Feed System	When Pellet Bag is Empty	Allow Auger to Push Out Sawdust, Leaving Hopper Empty
Hopper Electric Components	Once A Year	Dust Out Interior, Wipe Fan Blades with Soapy Water
Air Intake Vent	Every 5-6 Grill Sessions	Dust, Scrub Pad & Soapy Water
Grill Probe	Every 2-3 Grill Sessions	Scrub Pad & Soapy Water

## TIPS & TECHNIQUES

Follow these helpful tips and techniques, passed on from Pit Boss® owners, our staff, and customers just like you, to become more familiar with your grill:

### 1. *FOOD SAFETY*

- Keep everything in the kitchen and cooking area clean. Use different platters and utensils for the cooked meat than the ones you used to prepare or transport the raw meat out to the grill. This will prevent cross contamination of bacteria. Each marinade or basting sauce should have its own utensil.
- Keep hot foods hot (above 60°C / 140°F), and keep cold foods cold (below 3°C / 37°F).
- A marinade should never be saved to use at a later time. If you are going to use it to serve with your meat, be sure to bring it to a boil before serving.
- Cooked foods should not be left out in the heat for more than an hour. Do not leave hot foods out of refrigeration for more than two hours.
- Defrost and marinade meats by refrigeration. Do not thaw meat at room temperature or on a counter top. Bacteria can grow and multiply rapidly in warm, moist foods. Wash hands thoroughly with hot, soapy water before starting any meal preparation and after handling fresh meat, fish and poultry.

### 2. *COOKING PREPARATION*

- Be prepared, or **Mise en Place**. This refers to preparing the cooking recipe, fuel, accessories, utensils, and all ingredients you require at grill side before you start cooking. Also, read the entire recipe, start to finish, before lighting the grill.
- A BBQ floor mat is very useful. Due to food handling accidents and cooking spatter, a BBQ floor mat would protect a deck, patio, or stone platform from the possibility of grease stains or accidental spills.

### 3. *GRILLING TIPS AND TECHNIQUES*

- To infuse more smoke flavor into your meats, cook longer and at lower temperatures (also known as **low and slow**). Meat will close its fibers after it reaches an internal temperature of 49°C / 120°F. Misting, or mopping, are great ways to keep meat from drying out.
- While searing your meats, cook with the lid down. Always use a meat thermometer to determine the internal temperature of the foods you are cooking. Smoking foods with hardwood pellets will turn meats and poultry pink. The band of pink (after cooking) is referred to as a **smoke ring** and is highly prized by outdoor chefs.
- Sugar-based sauces are best applied near the end of cooking to prevent burning and flare-ups.
- Leave open space between the foods and the extremities of the barrel for proper heat flow. Food on a crowded grill will require more cooking time.
- Use a set of long-handled tongs for turning meats, and a spatula for turning burgers and fish. Using a piercing utensil, such as a fork, will prick the meat and allow the juices to escape.
- Foods in deep casserole dishes will require more time to cook than a shallow baking pan.
- It's a good idea to put cooked food onto a heated platter, keeping the food warm. Red meats, such as steak and roasts, benefit from resting for several minutes before serving. It allows the juices that were driven to the surface by heat to ease back to the center of the meat, adding more flavor.

Accessories are available for purchase separately. Contact your local authorized Pit Boss® dealer or visit [www.pitboss-grills.com](http://www.pitboss-grills.com).

# TROUBLESHOOTING

Proper cleaning, maintenance and the use of clean, dry, quality fuel will prevent common operational problems. When your Pit Boss® grill is operating poorly, or on a less frequent basis, the following troubleshooting tips may be helpful.

For FAQ, please visit [www.pitboss-grills.com](http://www.pitboss-grills.com). You may also contact your local Pit Boss® authorized dealer or contact Customer Service for assistance.

**WARNING: Always disconnect the electrical cord prior to opening the grill for any inspection, cleaning, maintenance or service work. Ensure the grill is completely cooled to avoid injury.**

PROBLEM	CAUSE	SOLUTION
No Power Lights On The Control Board	Temperature Control Dial is still off.	Press the Power Button, and ensure the button glows blue to show there is a power connection. Turn the Temperature Control Dial to a temperature setting.
	Not Connected To Power Source	Ensure unit is plugged into a working power source. Reset breaker. Ensure GFCI is a minimum 10 Amp service (see <b>Electric Wire Diagram</b> for access to electric components) Ensure all wire connections are firmly connected and dry.
	Fuse Blown On The Control Board	Remove hopper access panel (see <b>Electric Wire Diagram</b> for diagram), press in plastic tabs holding the control board in place and carefully pull controller inside the hopper to release controller. Check the fuse for a broken wire or if the wire has turned black. If yes, fuse needs to be manually replaced.
	The GFCI outlet has been tripped.	Remove hopper access panel (see <b>Electric Wire Diagram</b> for diagram), and ensure all wire connections are firmly connected and dry. Ensure GFCI is a minimum 10 Amp service.
	Faulty Control Board	Control Board needs to be replaced. Contact Customer Service for a replacement part.
Fire in Burn Pot Will Not Light	Auger Not Primed	Before the unit is used for the first time or anytime the hopper is completely emptied out, the auger must be primed to allow pellets to fill the auger tube. If not primed, the igniter will timeout before the pellets reach the Burn Pot. Follow <b>Hopper Priming Procedure</b> .
	Auger Motor Is Jammed	Remove cooking components from the main barrel. Press the Power Button to turn the unit on, turn Temperature Control Dial to SMOKE, and inspect the auger feed system. Visually confirm that the auger is dropping pellets into the Burn Pot. If not operating properly, call Customer Service for assistance or a replacement part.
	Igniter Failure	Remove cooking components from the main barrel. Press the Power Button to turn the unit on, turn Temperature Control Dial to SMOKE, and inspect the igniter. Visually confirm that the igniter is working by placing your hand above the Burn Pot and feeling for heat. Visually confirm that the igniter is protruding approximately 13mm / 0.5 inches in the Burn Pot. If not operating properly, follow <b>Manual Start-up Procedure</b> to continue use of grill; however, call Customer Service for assistance or a replacement part.
Flashing Dots On LCD Screen	The Igniter Is On	This is not an error that effects the grill. Used to show that the unit has power and is in Start-Up mode (igniter is on). The igniter will turn off after five minutes. Once the flashing dots disappear, the grill will begin to adjust to the desired temperature selected.
Flashing Temperature On LCD Screen	Grill Temperature Is Below 65°C /150°F	This is not an error that effects the unit; however, it is used to show that there is some risk that the fire could go out. Check hopper for sufficient fuel or if there is an obstruction in the feed system. Remove pellets and follow <b>Care and Maintenance</b> instructions. Check grill Grill Probe and follow <b>Care and Maintenance</b> instructions if dirty. Check Burn Pot for ash build-up or obstructions, and follow <b>Care and Maintenance</b> instructions for ash build-up. Check fan. Ensure it is working properly and air intake is not blocked. Follow <b>Care and Maintenance</b> instructions if dirty. Check auger motor to confirm operation (rotation), and ensure there is no blockage in the auger tube.

"ErH" Error Code	The Unit Has Overheated, Possibly Due To Grease Fire Or Excess Fuel.	Press the Power Button to turn the unit off, and allow grill to cool. Follow <b>Care and Maintenance</b> instructions. After maintenance, remove pellets, and confirm positioning of all component parts. Once cooled, press the Power Button to turn the unit on, then select desired temperature. If error code still displayed, contact Customer Service.
"Er1" Error Code	Grill Probe wire not making connection.	Remove hopper access panel (see <b>Electric Wire Diagram</b> for diagram), and check for any damage to the Grill Probe wires. Ensure Grill Probe molex connectors are firmly connected, and connected correctly, to the Control Board.
"ErP" Error Code	Unit Not Turned Off Properly When Last Connected To Power.	Safety feature prevents an automatic restart. Press the Power Button to turn the unit off, wait two minutes, then press the Power Button to turn the unit on again. Turn Temperature Control Dial to SMOKE or desired temperature. If error code still displayed, contact Customer Service.
	Power Outage While Unit In Operation.	
"noP" Error Code	Bad Connection At Connection Port	Disconnect meat probe from connection port on the Control Board, and reconnect. Ensure the meat probe adapter is firmly connected. Check for signs of damage to the adapter end. If still failed, call Customer Service for replacement part.
	Meat Probe Damaged	Check for signs of damage to the wires of the meat probe. If damaged, call Customer Service for replacement part.
	Faulty Control Board	Control Board needs to be replaced. Contact Customer Service for a replacement part.
Grill Temperature on SMOKE is too high	"P" Setting is too LOW	Push the "P" SET button, and increase the "P" setting.
Grill Will Not Achieve Or Maintain Stable Temperature	Insufficient Air Flow Through Burn Pot	Check Burn Pot for ash build-up or obstructions. Follow <b>Care and Maintenance</b> instructions for ash build-up. Check fan. Ensure it is working properly and air intake is not blocked. Follow <b>Care and Maintenance</b> instructions if dirty. Check auger motor to confirm operation, and ensure there is no blockage in the auger tube. Once all the above steps have been done, start the grill, set temperature to SMOKE and wait for 10 minutes. Check that the flame produced is bright and vibrant.
	Lack Of Fuel, Poor Fuel Quality, Obstruction In Feed System	Check hopper to check that fuel level is sufficient, and replenish if low. Should the quality of wood pellets be poor, or the length of the pellets too long, this may cause an obstruction in the feed system. Remove pellets and follow <b>Care and Maintenance</b> instructions.
	Grill Probe	Check status of Grill Probe. Follow <b>Care and Maintenance</b> instructions if dirty. Contact Customer Service for a replacement part if damaged.
Grill Produces Excess Or Discolored Smoke	Grease Build-Up	Follow <b>Care and Maintenance</b> instructions.
	Wood Pellet Quality	Remove moist wood pellets from hopper. Follow <b>Care and Maintenance</b> instructions to clean out. Replace with dry wood pellets.
	Burn Pot Is Blocked	Clear Burn Pot for moist wood pellets. Follow <b>Hopper Priming Procedure</b> .
	Insufficient Air Intake For Fan	Check fan. Ensure it is working properly and air intake is not blocked. Follow <b>Care and Maintenance</b> instructions if dirty.
Frequent Flare-Ups	Cooking Temperature	Attempt cooking at a lower temperature. Grease does have a flash point. Keep the temperature under 176°C / 350°F when cooking highly greasy food.
	Grease Build-Up On Cooking Components	Follow <b>Care and Maintenance</b> instructions.

# ELECTRICAL WIRE DIAGRAM

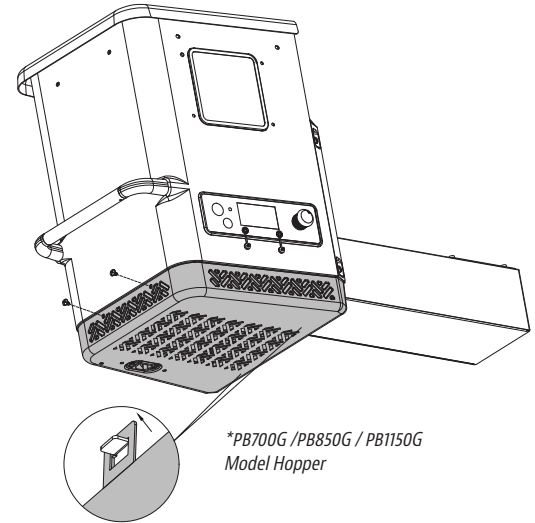
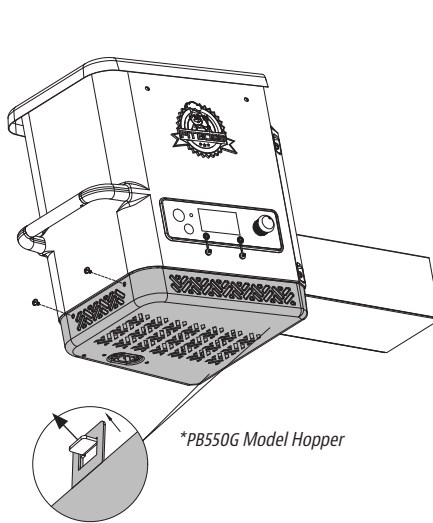
The Digital Control Board system is an intricate and valuable piece of technology. For protection from power surges and electrical shorts, consult the wire diagram below to ensure your power source is sufficient for the operation of the unit.

## PB – ELECTRIC REQUIREMENTS 220-240 V, 50 Hz, 250 W, GROUNDED PLUG

NOTE: Electrical components, passed by product safety testing and certification services, comply with a testing tolerance of ± 5-10 percent.

LOCATE AND REMOVE THE TWO SCREWS OF ACCESS PANEL ON THE SIDE OF HOPPER.

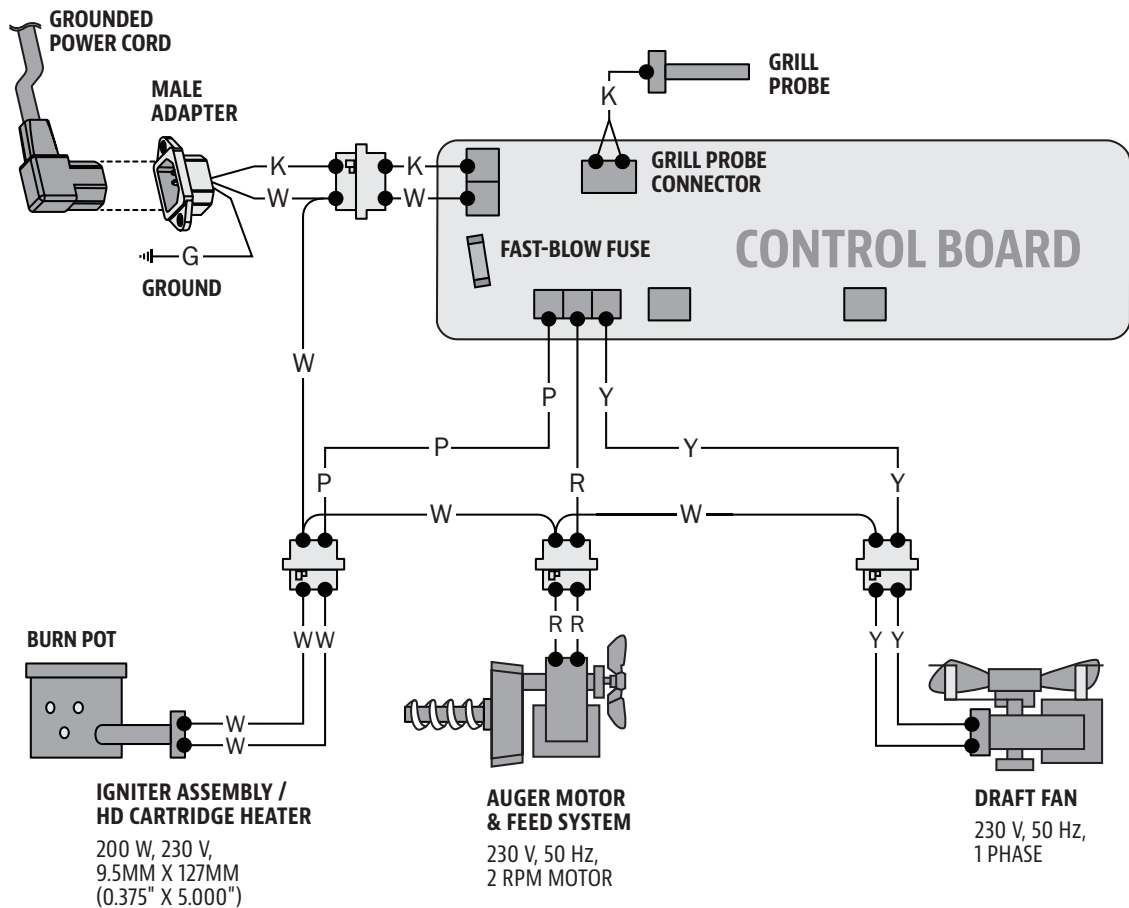
RELEASE BOTTOM HOPPER PANEL DOWN AND SLIDE BACK TO UNSEAT FROM TAB.



**FUEL INPUT RATING:**  
2 KG/H  
(4.4 LB/H)

### INDEX

W : WHITE  
Y : YELLOW  
P : PURPLE  
R : RED  
K : BLACK  
G : GREEN



## PB550G GRILL REPLACEMENT PARTS

Part#	Description
1-A	Lid Stopper (x1)
2-A	Lid Handle (x1)
3-A	Lid Handle Bezel (x2)
4-A	Main Barrel (x1)
5-A	Hopper Assembly (x1)
6-A	Flame Broiler Adjusting Bar (x1)
7-A	Flame Broiler Adjusting Bar Handle (x1)
8-A	Flame Broiler Slider (x1)
9-A	Flame Broiler Main Plate (x1)
10-A	Left Front Leg (x1)
11-A	Left Back Leg (x1)
12-A	Right Front Leg (x1)
13-A	Right Back Leg (x1)
14-A	Left Front Leg Trim Piece (x1)
15-A	Left Back Leg Trim Piece (x1)
16-A	Wheel (x2)
17-A	Right Bottom Support Plate (x1)
18-A	Left Bottom Support Plate (x1)
19-A	Short Support Plate (x2)

Part#	Description
20-A	Front / Back Long Support Plate (x2)
21-A	Front Shelf (x1)
22-A	Front Shelf Bracket Right (x1)
23-A	Front Shelf Bracket Left (x1)
24-A	Grease Bucket (x1)
25-A	Right Side Table (x1)
26-A	Cooking Grid (x2)
27-A	Warming Rack (x1)
28-A	Meat Probe (x1)
29-A	Power Cord Clip (x1)
30-A	Power Cord - F Plug (x1)
31-A	Power Cord - G Plug (x1)
A	Screw (x18)
B	Washer (x18)
C	Locking Washer (x18)
D	Screw (x30)
E	Wheel Axle Pin (x2)
F	Wheel Cotter Pin (x2)
G	Wheel Washer (x2)

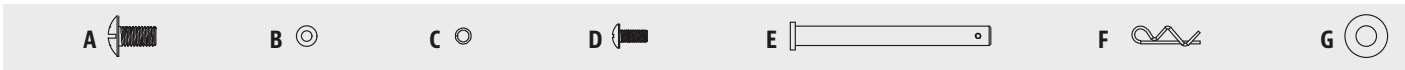
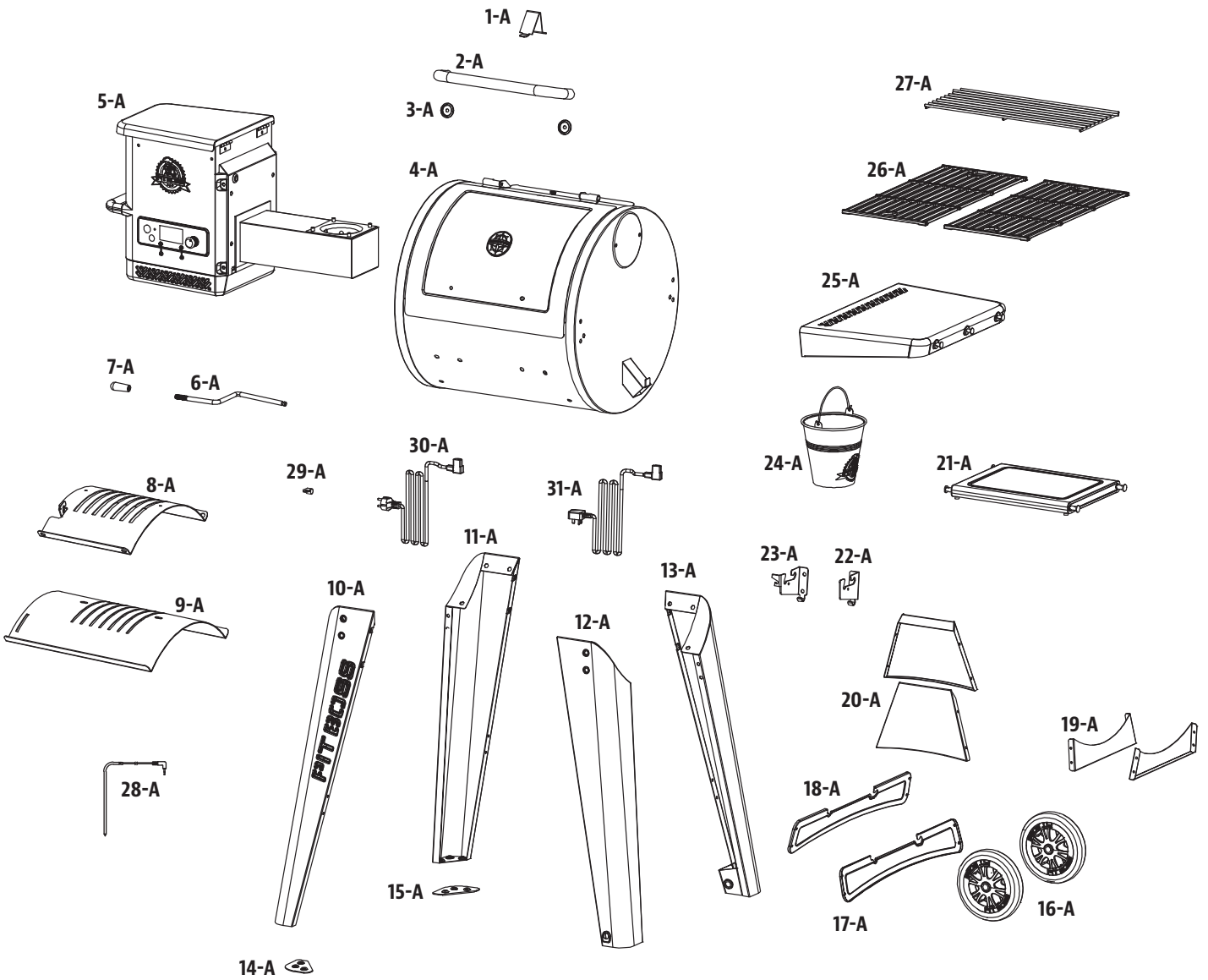
NOTE: Due to ongoing product development, parts are subject to change without notice.

Diagram Illustration on next page.

MODEL	UNIT ASSEMBLED (WxHxD)	UNIT WEIGHT	COOKING AREA	TEMP. RANGE	DIGITAL FEATURES
PB PB550G	1,227mm x 1,195mm x 868mm / 48.3" x 47" x 34.17"	55.7 kg / 122.8 lb	Main - 2580.6 cm <sup>2</sup> / 400 sq. in. Upper Rack - 920 cm <sup>2</sup> / 142.6 sq. in. <b>TOTAL - 3500.6 cm<sup>2</sup> / 542.6 sq. in.</b>	82-260°C / 180-500°F	Ten temperature presets, start-up and cool-down cycles, electric igniter



# PB550G GRILL REPLACEMENT PARTS



# PB700G GRILL REPLACEMENT PARTS

Part#	Description
1-A	Lid Stopper (x1)
2-A	Lid Handle (x1)
3-A	Lid Handle Bezel (x2)
4-A	Main Barrel (x1)
5-A	Hopper Assembly (x1)
6-A	Flame Broiler Adjusting Bar (x1)
7-A	Flame Broiler Adjusting Bar Handle (x1)
8-A	Flame Broiler Slider (x1)
9-A	Flame Broiler Main Plate (x1)
10-A	Left Front Leg (x1)
11-A	Left Back Leg (x1)
12-A	Right Front Leg (x1)
13-A	Right Back Leg (x1)
14-A	Left Front Leg Trim Piece (x1)
15-A	Left Back Leg Trim Piece (x1)
16-A	Wheel (x2)
17-A	Right Bottom Support Plate (x1)
18-A	Left Bottom Support Plate (x1)
19-A	Short Support Plate (x2)
20-A	Front Long Support Plate (x1)

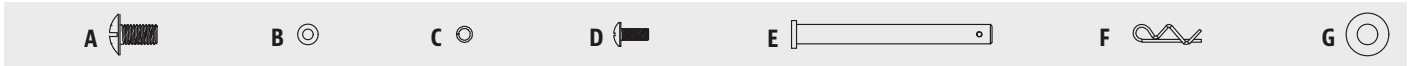
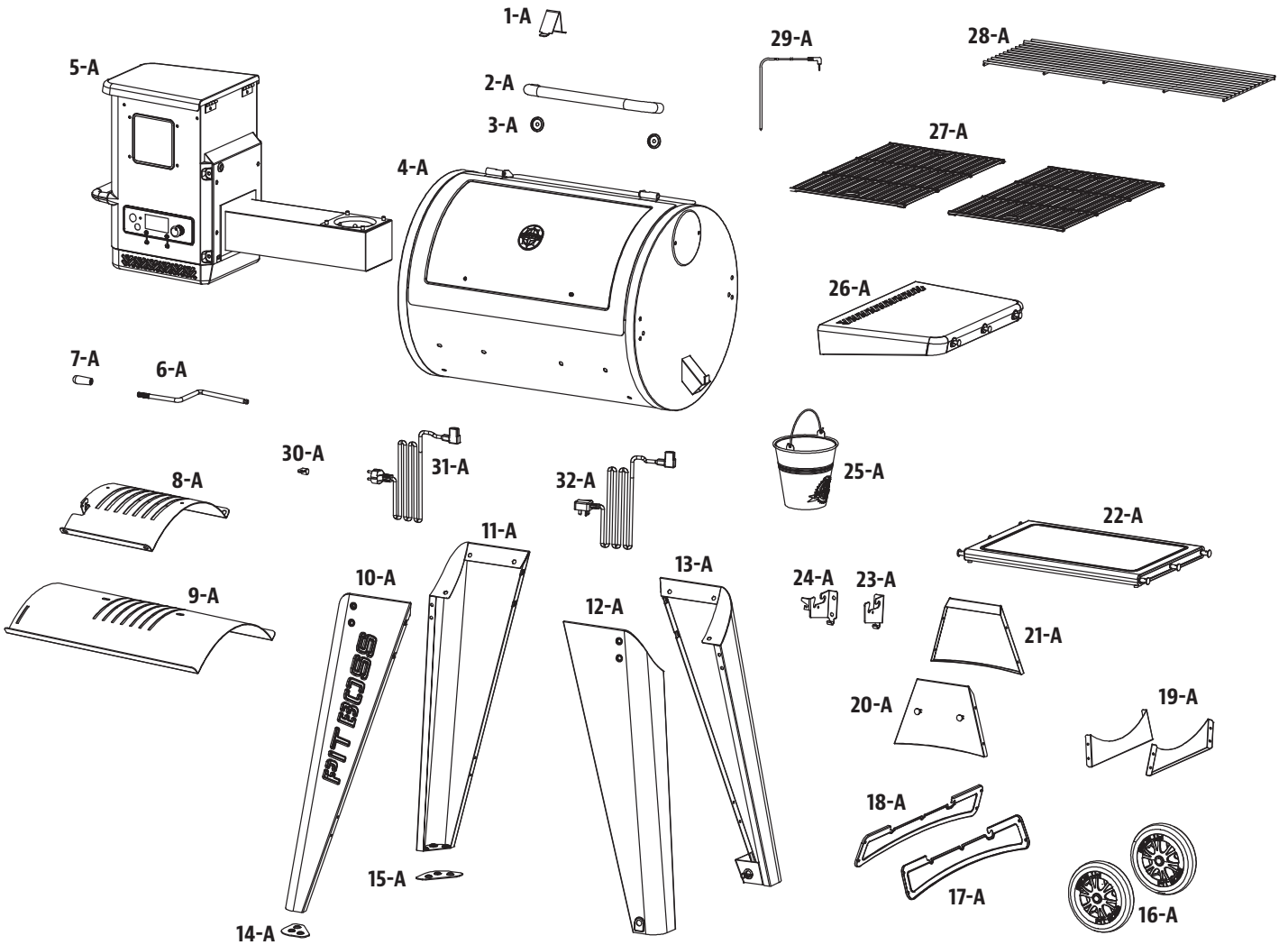
Part#	Description
21-A	Back Long Support Plate (x1)
22-A	Front Shelf (x1)
23-A	Front Shelf Bracket Right (x1)
24-A	Front Shelf Bracket Left (x1)
25-A	Grease Bucket (x1)
26-A	Right Side Table (x1)
27-A	Cooking Grids (x2)
28-A	Warming Rack (x1)
29-A	Meat Probe (x1)
30-A	Power Cord Clip (x1)
31-A	Power Cord - F Plug (x1)
32-A	Power Cord - G Plug (x1)
A	Screw (x18)
B	Washer (x18)
C	Locking Washer (x18)
D	Screw (x30)
E	Wheel Axle Pin (x2)
F	Wheel Cotter Pin (x2)
G	Wheel Washer (x2)

NOTE: Due to ongoing product development, parts are subject to change without notice.

Diagram Illustration on next page.

MODEL	UNIT ASSEMBLED (WxHxD)	UNIT WEIGHT	COOKING AREA	TEMP. RANGE	DIGITAL FEATURES
PB PB700G	1,388mm x 1,195mm x 940mm / 54.6" x 47" x 37"	66.5 kg / 146.61 lb	Main - 3,109 cm <sup>2</sup> / 482 sq. in. Upper Rack - 1,341 cm <sup>2</sup> / 208 sq. in. <b>TOTAL - 4,450 cm<sup>2</sup> / 690 sq. in.</b>	82-260°C / 180-500°F	Ten temperature presets, start-up and cool-down cycles, electric igniter

# PB700G GRILL REPLACEMENT PARTS



## PB850G GRILL REPLACEMENT PARTS

Part#	Description
1-A	Lid Stopper (x1)
2-A	Lid Handle (x1)
3-A	Lid Handle Bezel (x2)
4-A	Main Barrel (x1)
5-A	Hopper Assembly (x1)
6-A	Flame Broiler Adjusting Bar (x1)
7-A	Flame Broiler Adjusting Bar Handle (x1)
8-A	Flame Broiler Slider (x1)
9-A	Flame Broiler Main Plate (x1)
10-A	Left Front Leg (x1)
11-A	Left Back Leg (x1)
12-A	Right Front Leg (x1)
13-A	Right Back Leg (x1)
14-A	Left Front Leg Trim Piece (x1)
15-A	Left Back Leg Trim Piece (x1)
16-A	Swivel Caster with Brake (x2)
17-A	Wheel (x2)
18-A	Right Bottom Support Plate (x1)
19-A	Left Bottom Support Plate (x1)
20-A	Short Support Plate (x2)
21-A	Front Long Support Plate (x1)

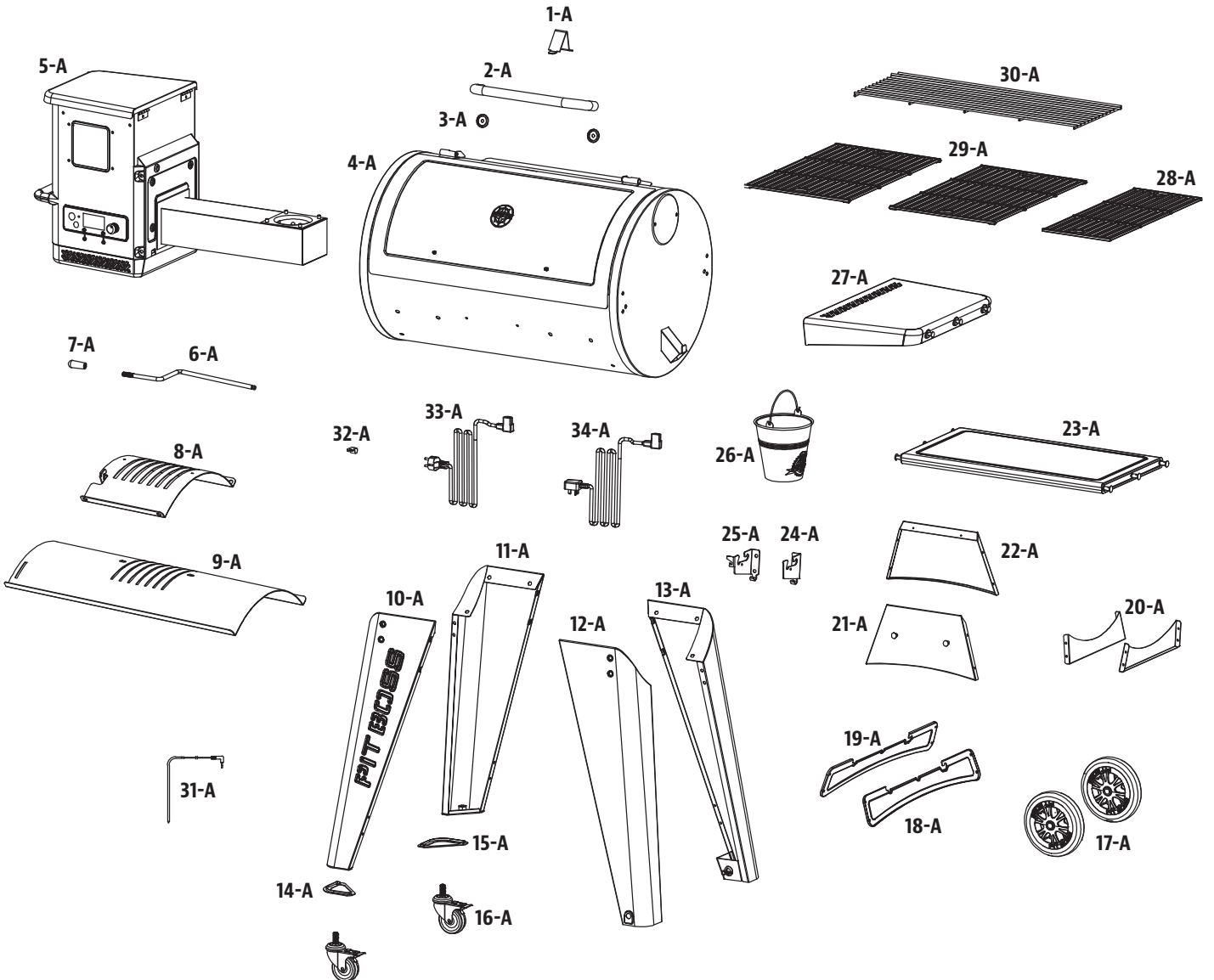
Part#	Description
22-A	Back Long Support Plate (x1)
23-A	Front Shelf (x1)
24-A	Front Shelf Bracket Right (x1)
25-A	Front Shelf Bracket Left (x1)
26-A	Grease Bucket (x1)
27-A	Right Side Table (x1)
28-A	Cooking Grid A (x1)
29-A	Cooking Grid B (x2)
30-A	Warming Rack (x1)
31-A	Meat Probe (x1)
32-A	Power Cord Clip (x1)
33-A	Power Cord - F Plug (x1)
34-A	Power Cord - G Plug (x1)
A	Screw (x18)
B	Washer (x18)
C	Locking Washer (x18)
D	Screw (x30)
E	Screw (x4)
F	Wheel Axle Pin (x2)
G	Wheel Cotter Pin (x2)
H	Wheel Washer (x2)

NOTE: Due to ongoing product development, parts are subject to change without notice.

Diagram Illustration on next page.

MODEL	UNIT ASSEMBLED (WxHxD)	UNIT WEIGHT	COOKING AREA	TEMP. RANGE	DIGITAL FEATURES
PB PB850G	1,472mm x 1,195mm x 940mm / 57.9" x 47" x 37"	74.5kg / 164.24 lb	Main - 3,825.8 cm <sup>2</sup> / 593 sq. in. Upper Rack - 1,845.2 cm <sup>2</sup> / 286 sq. in. <b>TOTAL - 5,671 cm<sup>2</sup> / 879 sq. in.</b>	82-260°C / 180-500°F	Ten temperature presets, start-up and cool-down cycles, electric igniter

# PB850G GRILL REPLACEMENT PARTS



## PB1150G GRILL REPLACEMENT PARTS

Part#	Description
1-A	Lid Stopper (x1)
2-A	Lid Handle (x1)
3-A	Lid Handle Bezel (x2)
4-A	Main Barrel (x1)
5-A	Hopper Assembly (x1)
6-A	Flame Broiler Adjusting Bar (x1)
7-A	Flame Broiler Adjusting Bar Handle (x1)
8-A	Flame Broiler Slider (x1)
9-A	Flame Broiler Main Plate (x1)
10-A	Left Front Leg (x1)
11-A	Left Back Leg (x1)
12-A	Right Front Leg (x1)
13-A	Right Back Leg (x1)
14-A	Left Front Leg Trim Piece (x1)
15-A	Left Back Leg Trim Piece (x1)
16-A	Swivel Caster with Brake (x2)
17-A	Wheel (x2)
18-A	Right Bottom Support Plate (x1)
19-A	Left Bottom Support Plate (x1)
20-A	Short Support Plate (x2)
21-A	Front Long Support Plate (x1)
22-A	Back Long Support Plate (x1)

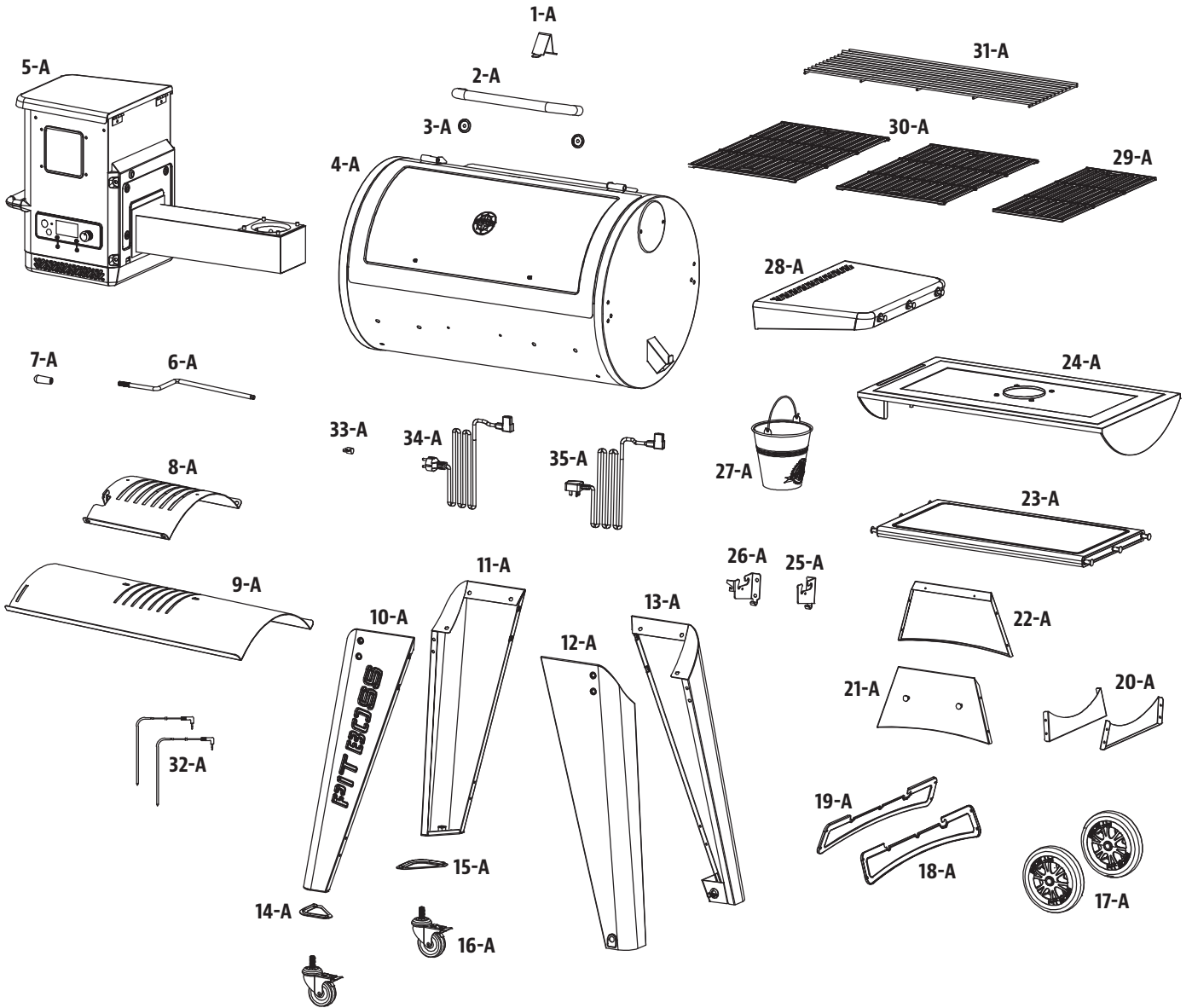
Part#	Description
23-A	Front Shelf (x1)
24-A	Diffuser Plate (x1)
25-A	Front Shelf Bracket Right (x1)
26-A	Front Shelf Bracket Left (x1)
27-A	Grease Bucket (x1)
28-A	Right Side Table (x1)
29-A	Cooking Grid A (x1)
30-A	Cooking Grid B (x2)
31-A	Warming Rack (x1)
32-A	Meat Probe (x2)
33-A	Power Cord Clip (x1)
34-A	Power Cord - F Plug (x1)
35-A	Power Cord - G Plug (x1)
A	Screw (x18)
B	Washer (x18)
C	Locking Washer (x18)
D	Screw (x30)
E	Screw (x6)
F	Wheel Axle Pin (x2)
G	Wheel Cotter Pin (x2)
H	Wheel Washer (x2)

NOTE: Due to ongoing product development, parts are subject to change without notice.

Diagram Illustration on next page.

MODEL	UNIT ASSEMBLED (WxHxD)	UNIT WEIGHT	COOKING AREA	TEMP. RANGE	DIGITAL FEATURES
PB PB1150G	1,622mm x 1,195mm x 940mm / 63.86" x 47" x 37"	84 kg / 185.19 lb	Main - 4,587.1 cm <sup>2</sup> / 711 sq. in. Upper Rack - 2,883.9 cm <sup>2</sup> / 447 sq. in. <b>TOTAL - 7,471 cm<sup>2</sup> / 1,158 sq. in.</b>	82-260°C / 180-500°F	Ten temperature presets, start-up and cool-down cycles, electric igniter

# PB1150G GRILL REPLACEMENT PARTS

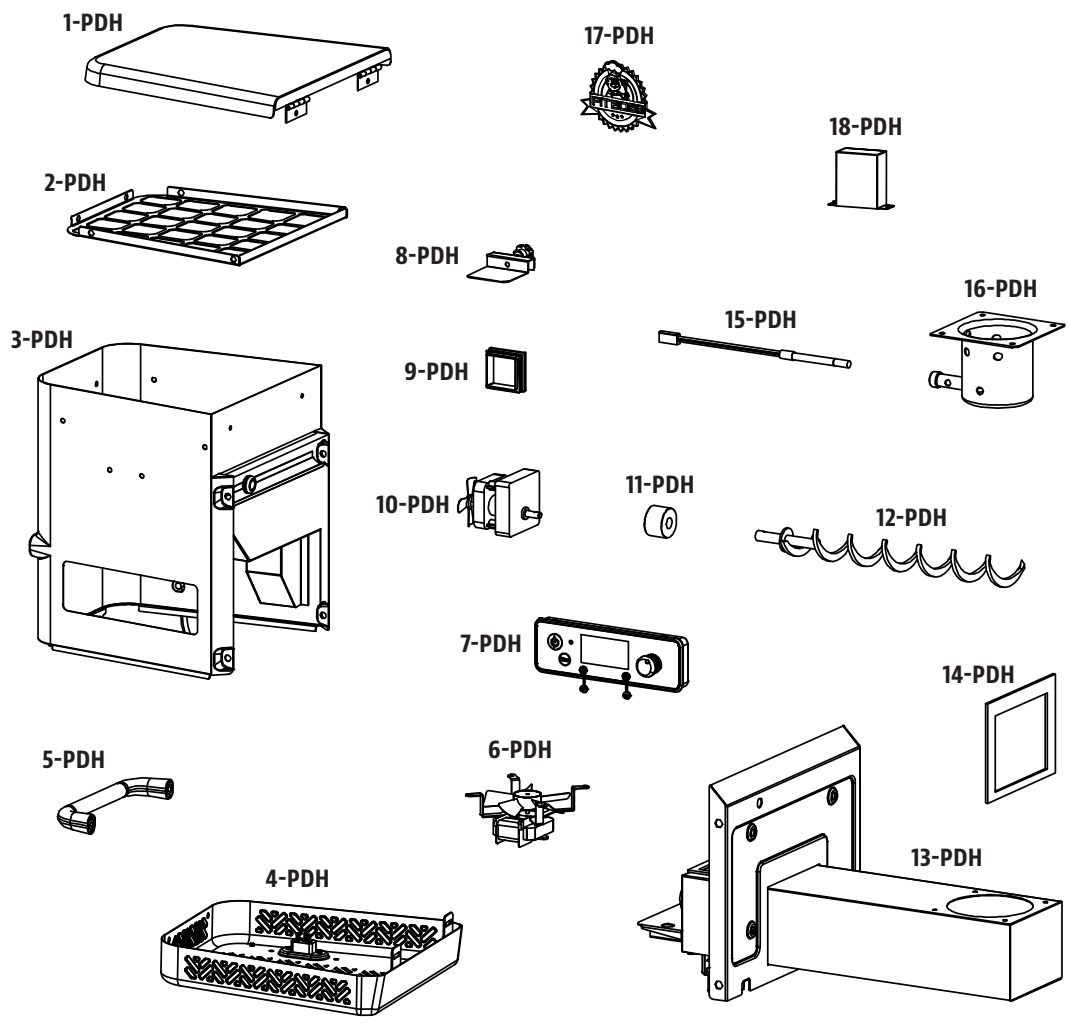


# PB550G HOPPER REPLACEMENT PARTS

Part#	Description
1-PDH	Hopper Lid (x1)
2-PDH	Hopper Safety Screen (x1)
3-PDH	Hopper Box Housing (x1)
4-PDH	Hopper Access Panel (x1)
5-PDH	Hopper Handle (x1)
6-PDH	Combustion Fan (x1)
7-PDH	Pit Boss® Control Board (x1)
8-PDH	Drop Chute Plate (x1)
9-PDH	Drop Chute Cover (x1)

Part#	Description
10-PDH	Auger Motor (x1)
11-PDH	Nylon Bushing (x1)
12-PDH	Auger Flighting Assembly (x1)
13-PDH	Auger Box Housing (x1)
14-PDH	Hopper Housing Gasket (x1)
15-PDH	Igniter (x1)
16-PDH	Burn Pot (x1)
17-PDH	Name Plate (x1)
18-PDH	Power Cord Waterproof Cover (x1)

NOTE: Due to ongoing product development, parts are subject to change without notice.



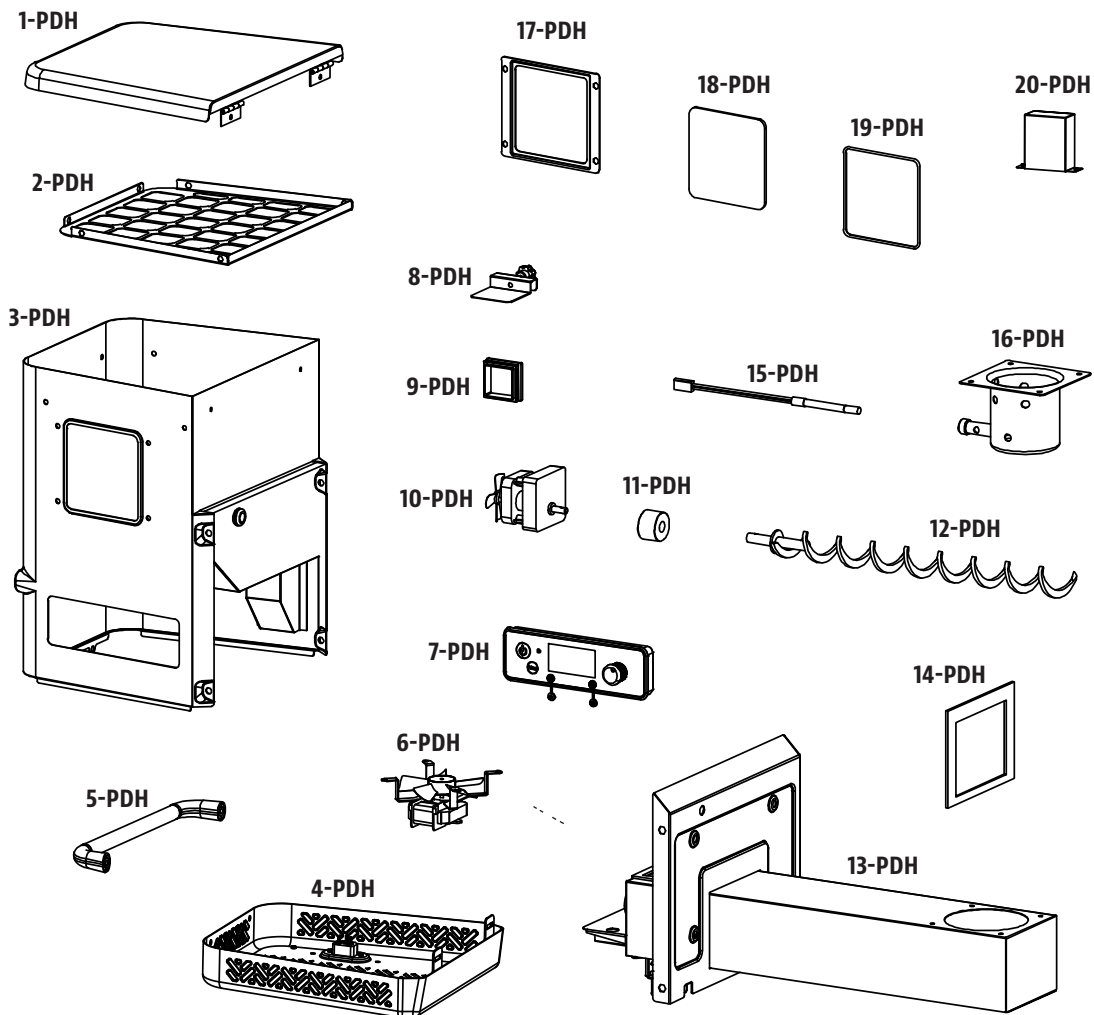


# PB700G / PB850G / PB1150G HOPPER REPLACEMENT PARTS

Part#	Description
1-PDH	Hopper Lid (x1)
2-PDH	Hopper Safety Screen (x1)
3-PDH	Hopper Box Housing (x1)
4-PDH	Hopper Access Panel (x1)
5-PDH	Hopper Handle (x1)
6-PDH	Combustion Fan (x1)
7-PDH	Pit Boss® Control Board (x1)
8-PDH	Drop Chute Plate (x1)
9-PDH	Drop Chute Cover (x1)
10-PDH	Auger Motor (x1)

Part#	Description
11-PDH	Nylon Bushing (x1)
12-PDH	Auger Flighting Assembly (x1)
13-PDH	Auger Box Housing (x1)
14-PDH	Hopper Housing Gasket (x1)
15-PDH	Igniter (x1)
16-PDH	Burn Pot (x1)
17-PDH	Glass Plate (x1)
18-PDH	Glass (x1)
19-PDH	Rubber Seal (x1)
20-PDH	Power Cord Waterproof Cover (x1)

NOTE: Due to ongoing product development, parts are subject to change without notice.



# WARRANTY

## CONDITIONS

All wood pellet grills by Pit Boss®, manufactured by Dansons, carry a limited warranty from the date of sale by the original owner. The warranty coverage begins on the original date of purchase and proof of date of purchase, or copy of original bill of sale, is required to validate the warranty. Customers will be subject to parts, shipping, and handling fees if unable to provide proof of the purchase or after the warranty has expired.

Dansons carries a five (5) year warranty against defects and workmanship on all parts, and five (5) years on electrical components. Dansons warrants that all part(s) are free of defects in material and workmanship, for the length of use and ownership of the original purchaser. Warranty does not cover damage from wear and tear, such as scratches, dents, dings, chips or minor cosmetic cracks. These aesthetic changes of the grill do not affect its performance. Repair or replacement of any part does not extend past the limited warranty beyond the five (5) years from date of purchase.

During the term of the warranty, Dansons' obligation shall be limited to furnishing a replacement for defective and/or failed components. As long as it is within the warranty period, Dansons' will not charge for repair or replacement for parts returned, freight prepaid, if the part(s) are found by Dansons' to be defective upon examination. Dansons' shall not be liable for transportation charges, labor costs, or export duties. Except as provided in these conditions of warranty, repair or replacement of parts in the manner and for the period of time mentioned heretofore shall constitute the fulfillment of all direct and derivate liabilities and obligations from Dansons to you.

Dansons takes every precaution to utilize materials that retard rust. Even with these safeguards, the protective coatings can be compromised by various substances and conditions beyond Dansons' control. High temperatures, excessive humidity, chlorine, industrial fumes, fertilizers, lawn pesticides and salt are some of the substances that can affect metal coatings. For these reasons, the warranty does not cover rust or oxidization, unless there is loss of structural integrity on the grill component. Should any of the above occur, kindly refer to the care and maintenance section to prolong the lifespan of your unit. Dansons recommends the use of a grill cover when the grill is not in use.

This warranty is based on normal domestic use and service of the grill and neither limited warranty coverage's apply for a grill which is used in commercial applications.

## EXCEPTIONS

There is no written or implied performance warranty on Pit Boss® grills, as the manufacturer has no control over the installation, operation, cleaning, maintenance or the type of fuel burned. This warranty will not apply nor will Dansons assume responsibility if your appliance has not been installed, operated, cleaned and maintained in strict accordance with this owner's manual. Any use of gas not outlined in this manual may void the warranty. The warranty does not cover damage or breakage due to misuse, improper handling or modifications.

Neither Dansons, or authorized Pit Boss® dealer, accepts responsibility, legal or otherwise, for the incidental or consequential damage to the property or persons resulting from the use of this product. Whether a claim is made against Dansons based on the breach of this warranty or any other type of warranty expressed or implied by law, the manufacturer shall in no event be liable for any special, indirect, consequential or other damages of any nature whatsoever in excess of the original purchase of this product. All warranties by manufacturer are set forth herein and no claim shall be made against manufacturer on any warranty or representation.

Some states do not allow the exclusion or limitation of incidental or consequential damages, or limitations of implied warranties, so the limitations or exclusions set forth in this limited warranty may not apply to you. This limited warranty gives you specific legal rights and you may have other rights, which vary from state to state.

## ORDERING REPLACEMENT PARTS

To order replacement parts, please contact your local Pit Boss® dealer or visit our online store at: [www.pitboss-grills.com](http://www.pitboss-grills.com)

## CONTACT CUSTOMER SERVICE

If you have any questions or problems, contact Customer Service, Monday through Sunday, 4am - 8pm PST (EN/FR/ES).

[service@pitboss-grills.com](mailto:service@pitboss-grills.com) | Toll-Free: 1-877-303-3134 | Toll-Free Fax: 1-877-303-3135

## WARRANTY SERVICE

Contact your nearest Pit Boss® dealer for repair or replacement parts. Danson's requires proof of purchase to establish a warranty claim; therefore, retain your original sales receipt or invoice for future reference. The serial and model number of your Pit Boss® can be found inside the lid of the hopper. Record numbers below as the label may become worn or illegible.

---

MODEL

---

SERIAL NUMBER

---

DATE OF PURCHASE

---

AUTHORIZED DEALER

# INFORMATIONS CONCERNANT LA SÉCURITÉ

**LES PRINCIPALES CAUSES D'INCENDIE D'UN APPAREIL SONT UN MAUVAIS ENTRETIEN ET UNE INCAPACITÉ À MAINTENIR L'ESPACEMENT REQUIS ENTRE L'APPAREIL ET LES MATÉRIAUX COMBUSTIBLES. IL EST DE LA PLUS HAUTE IMPORTANCE QUE CE PRODUIT SOIT UNIQUEMENT UTILISÉ CONFORMÉMENT AUX INSTRUCTIONS SUIVANTES.**

Veillez lire et comprendre l'intégralité de ce manuel avant de procéder à l'assemblage, à l'utilisation ou à l'installation de ce produit. Vous pourrez alors profiter pleinement et sans encombre de votre nouveau gril à granulés de bois. Nous vous conseillons également de conserver ce manuel à titre de référence ultérieure.

## DANGERS ET AVERTISSEMENTS

**Vous devez contacter les autorités locales compétentes afin d'obtenir les permis, mandats ou informations nécessaires concernant toute restriction d'installation, par exemple pour un gril installé sur une surface combustible, les exigences en matière d'inspection ou même la possibilité d'utilisation dans votre région.**

1. Vous devez respecter un espace minimum de 914 mm (36 pouces) entre les côtés/l'arrière du gril et toute construction combustible. **N'installez pas l'appareil sur des sols combustibles ou des sols protégés par des surfaces combustibles sans avoir obtenu les permis et autorisations appropriés de la part des autorités compétentes.** N'utilisez pas cet appareil en intérieur, dans une zone close ou non aérée, par exemple à l'intérieur d'un domicile, dans un véhicule, sous une tente ou dans un garage. Cet appareil à granulés de bois ne doit pas être placé sous un plafond ou un surplomb combustible. Placez votre gril dans une zone dégagée, sans matériaux combustibles, essence, ni autres vapeurs et liquides inflammables.

**Si un feu de graisse a lieu, éteignez le gril et laissez le couvercle fermé jusqu'à ce que le feu s'éteigne. Débranchez le cordon d'alimentation. Ne jetez pas d'eau sur l'appareil. N'essayez pas d'éteuffer le feu. Posséder sur place un extincteur agréé pour les feux de classe A, B et C est un atout précieux. Si un feu incontrôlé a lieu, appelez les pompiers.**

2. Maintenez les câbles électriques et les combustibles loin des surfaces chauffées. N'utilisez pas votre gril sous la pluie ou près d'une source d'eau.
3. Suite à une période de stockage ou d'absence d'utilisation, vérifiez que la grille de combustion n'est pas obstruée, que la trémie ne contient pas d'objet étranger et que le dispositif de ventilation ou la cheminée peuvent toujours évacuer l'air. Nettoyez l'appareil avant utilisation. Une maintenance et un entretien réguliers sont nécessaires pour prolonger la durée de vie de votre appareil. **Si le gril est stocké en extérieur lors des saisons pluvieuses ou très humides, veillez à ce que l'eau ne pénètre pas dans la trémie.** Les granulés de bois humides ou exposés à une forte humidité gonflent beaucoup, se décomposent et peuvent bloquer le système d'acheminement. Avant tout service ou entretien, débranchez toujours l'alimentation.

**Ne transportez pas votre gril lorsqu'il est en cours d'utilisation ou qu'il est chaud. Veillez à ce que le feu soit entièrement éteint et que le gril soit parfaitement froid au toucher avant de le déplacer.**

4. Le port de moufles ou gants pour barbecue résistants à la chaleur est recommandé lors de l'utilisation du gril. N'utilisez pas d'accessoires autres que ceux spécifiés pour cet appareil. Ne placez pas de housse pour barbecue ou tout objet inflammable dans l'espace de rangement situé sous le barbecue.
5. Pour éviter que les doigts, les vêtements ou d'autres objets n'entrent en contact avec le système d'acheminement de la vis sans fin, l'appareil est équipé d'un écran de sécurité en métal, monté à l'intérieur de la trémie. Cet écran ne doit pas être retiré, sauf avis contraire du service clients ou d'un revendeur agréé.

**Cet appareil n'est pas conçu pour être utilisé par des enfants, des personnes handicapées physiques, sensorielles ou mentales, ou par des personnes ne disposant pas de l'expérience ou des connaissances nécessaires à son fonctionnement, à moins qu'elles ne soient encadrées par une personne responsable de leur sécurité.**

6. Des éléments de ce barbecue peuvent être très chauds et entraîner des blessures graves. En cours d'utilisation, maintenez l'appareil hors de portée des jeunes enfants et des animaux.
7. N'élargissez pas les trous de l'allumeur ou les pots de combustion. Le non-respect de cet avertissement peut entraîner un incendie et des dommages corporels, cela annulera également votre garantie.
8. Le produit peut comporter des pièces ou des rebords coupants. Tout contact peut entraîner une blessure. Manipulez-les avec précaution.

## ÉLIMINATION DES CENDRES

Les cendres doivent être placées dans un récipient en métal avec couvercle hermétique. Le récipient fermé contenant les cendres doit être placé par terre ou sur une surface non combustible, loin de tout matériau combustible, en attendant son élimination finale. Lorsque les cendres sont éliminées par enterrement ou dispersées localement, elles doivent d'abord rester dans le récipient fermé jusqu'à leur refroidissement complet.

## GRANULÉS DE BOIS COMBUSTIBLES

L'appareil de cuisson par granulés est conçu pour être uniquement utilisé avec du bois combustible entièrement naturel sous forme de granulés. Tout autre combustible brûlé dans cet appareil annulera la garantie et les informations relatives à la sécurité. Vous devez utiliser uniquement des granulés de bois entièrement naturels, conçus pour brûler dans des barbecues à granulés. N'utilisez pas de combustible contenant des additifs.

**N'utilisez pas d'alcool, d'essence, d'essence à briquet ou de pétrole pour allumer et raviver un feu dans votre grill. Maintenez tout liquide de ce genre à distance de l'appareil en cours d'utilisation.**

Au moment de l'impression de ce document, il n'existe aucune norme industrielle concernant les granulés de bois pour barbecue, même si la plupart des presses à agglomérer et à granuler des aliments utilisent les mêmes normes pour fabriquer des granulés de bois à usage domestique. Vous pouvez trouver de plus amples informations sur [www.pelletheat.org](http://www.pelletheat.org) ou sur *Pellet Fuel Institute*.

Contactez votre revendeur local pour en savoir plus sur la qualité des granulés dans votre région ou pour obtenir de plus amples informations sur la qualité d'une marque. Comme il n'existe aucun contrôle de la qualité des granulés utilisés et des granulés impactés par l'humidité, nous n'assumons aucune responsabilité relative aux dommages causés par un combustible de mauvaise qualité.

## CRÉOSOTE

La créosote, ou suie, est une substance similaire à du goudron. Lorsqu'elle brûle, elle produit une fumée noire composée d'un résidu de la même couleur. La suie ou créosote se forme lorsque l'appareil n'est pas utilisé correctement, par exemple en cas de blocage du ventilateur de combustion, de mauvais nettoyage ou entretien de la zone de combustion ou de mauvais ratio air/combustible.

Utiliser cet appareil est dangereux en cas de flamme sombre ou si le pot de combustion est trop plein de granulés. Lorsqu'elle s'enflamme, la créosote produit un feu très chaud et incontrôlé, similaire à un feu de graisse. Si cela arrive, éteignez l'appareil, laissez-le entièrement refroidir, puis inspectez-le pour effectuer un entretien et un nettoyage. La créosote s'accumule généralement dans les zones d'échappement.

Si de la créosote s'est formée au sein de l'appareil, faites chauffer ce dernier à faible température, éteignez-le, puis essuyez toute formation avec une serviette. Comme le goudron, la créosote est plus facile à nettoyer lorsqu'elle est chaude car elle se liquéfie.

## MONOXYDE DE CARBONE (« le tueur silencieux »)

Le monoxyde de carbone est un gaz incolore, inodore et sans goût, produit par la combustion de gaz, de bois, de propane, de charbon ou autre combustible. Le monoxyde de carbone diminue la capacité du sang à transporter l'oxygène. De faibles taux d'oxygène dans le sang peuvent entraîner des maux de tête, des vertiges, des sentiments de faiblesse, des nausées, des vomissements, des somnolences, des confusions, des pertes de conscience, ou la mort. Suivez ces instructions pour empêcher ce gaz incolore et inodore d'empoisonner vos proches ou vous-même :

- Consultez un médecin si un individu ou vous-même développez des symptômes rappelant ceux d'une grippe alors que vous cuisinez ou que vous êtes à proximité de l'appareil. L'empoisonnement au monoxyde de carbone, pouvant facilement être confondu avec un rhume ou une grippe, est souvent détecté trop tard.
- La consommation d'alcool, de drogue et de médicaments augmente les effets de l'empoisonnement au monoxyde de carbone.

Le monoxyde de carbone est particulièrement toxique pour les mères et leur bébé pendant la grossesse, pour les nouveau-nés, les personnes âgées, les fumeurs et les personnes présentant des problèmes du sang ou du système circulatoire, comme l'anémie ou les maladies cardiaques.

## INFORMATIONS RELATIVES À LA SÉCURITÉ

Conforme aux normes EN 60335-2-102:2016, EN 60335-1:2012 + A11:2014 + A13:2017 + A1: 2021 + A14: 2021 + A2: 2021, EN62233: 2008, EN 55014-1:2017, EN 61000-3-2:2014, EN 61000-3-3:2013, EN 55014-2:2015.



FR

FRANÇAIS



### DÉCLARATION CONCERNANT LES DROITS D'AUTEUR

Copyright 2021. Tous droits réservés. Aucune partie de ce manuel ne peut être copiée, transmise, transcrite ou stockée dans un système d'archivage, sous quelque forme ou par quelque moyen que ce soit, sans l'autorisation expresse écrite de :

#### **Dansons**

3411 North 5th Avenue, Suite 500, Phoenix, AZ, USA 85013  
sales@pitboss-grills.com | service@pitboss-grills.com  
**www.pitboss-grills.com**

#### **Service clients**

Du lundi au dimanche, de 4 h à 20 h PST (EN/FR/ES)

**Numéro gratuit : 1-877-303-3134, Fax : 1-877-303-3135**

# TABLE DES MATIÈRES

Informations concernant la sécurité .....	28	Pièces de rechange	
Mode d'emploi		Pièces de rechange du gril PB550G .....	43
Environnement du gril .....	32	Pièces de rechange du gril PB700G .....	45
Plages de températures du gril .....	33	Pièces de rechange du gril PB850G .....	47
Présentation du panneau de contrôle.....	34	Pièces de rechange du gril PB1150G .....	49
Présentation des sondes .....	35	Pièces de rechange de la trémie PB550G.....	51
Présentation du paramètre « P ».....	35	Pièces de rechange de la trémie PB700G / PB850G / PB1150G.....	52
Procédure d'amorce de la trémie.....	35	Garantía	
Première utilisation - brûlage du gril .....	36	Condiciones.....	53
Procédure de démarrage automatique.....	36	Excepciones .....	53
Procédure de démarrage manuel .....	36	Pedido de piezas de repuesto .....	54
Arrêt de votre gril.....	37	Póngase en contacto con atención al cliente .....	54
Entretien et maintenance .....	38	Servicio de garantía .....	54
Conseils et techniques .....	39		
Dépannage .....	40		
Schéma du câblage électrique .....	42		

# MODE D'EMPLOI

Comme notre mode de vie actuel vise à manger des aliments sains et nutritifs, l'un des facteurs à prendre en compte est l'importance de la réduction de la consommation de graisse. L'une des meilleures façons de limiter les graisses dans votre régime alimentaire est d'utiliser une méthode de cuisson pauvre en graisse, telle que le grillage. Étant donné qu'un gril à granulés utilise des granulés de bois naturel, le savoureux parfum du bois s'imprègne dans la viande, réduisant ainsi l'ajout de sauces à haute teneur en sucre. En lisant ce manuel, vous remarquerez l'importance donnée au grillage lent des aliments à température BASSE ou MOYENNE.

## ENVIRONNEMENT DU GRIL

### 1. OÙ INSTALLER LE GRIL

Comme pour tous les appareils d'extérieur, les conditions météorologiques jouent un rôle important dans les performances de votre gril et le temps de cuisson nécessaire pour parfaire vos plats.

Tous les appareils de Pit Boss® doivent respecter un espace minimum de 914 mm (36 pouces) avec les constructions combustibles et cet espacement doit être maintenu lorsque le gril est en cours de fonctionnement. Cet appareil ne doit pas être placé sous un plafond ou un surplomb combustible. Placez votre gril dans une zone sans matériaux combustibles, essence, ni autres vapeurs et liquides inflammables.

### 2. CUISINER PAR TEMPS FROID

Alors que le temps se refroidit, vous ne devez pas pour autant arrêter de manger des grillades ! L'air frais et les arômes divins de la cuisine fumée vous aideront à lutter contre la dépression saisonnière.

Suivez ces suggestions sur la manière de profiter de votre gril lors des mois froids :

- Si vous n'arrivez pas à cuire à faible température, augmentez légèrement la température pour obtenir le même résultat.
- Organisez-vous : placez tout ce dont vous avez besoin à disposition dans la cuisine avant de sortir. Au cours de l'hiver, placez votre gril dans une zone à l'abri du vent et de l'exposition directe au froid. Consultez les règlements locaux concernant la proximité de votre gril en lien avec votre maison et/ou d'autres structures. Placez tout ce dont vous avez besoin sur un plateau, couvrez-vous bien et c'est parti !
- Pour suivre la température extérieure, placez un thermomètre près de votre zone de cuisson. Conservez un historique de ce que vous avez cuisiné, de la température extérieure et du temps de cuisson. Cela vous aidera ultérieurement lorsque vous êtes en vadrouille pour déterminer ce que vous pouvez cuire et le temps nécessaire.
- Lorsqu'il fait vraiment froid, augmentez votre temps de préchauffage d'au moins 20 minutes.
- Évitez de soulever le couvercle plus que nécessaire. De froides rafales de vent peuvent refroidir complètement la température de votre gril. Ne vous imposez pas une heure précise pour servir le repas et ajoutez du temps de cuisson dès que vous ouvrez le couvercle.
- Gardez un plat chauffé ou un couvercle de plat à disposition pour maintenir votre plat au chaud le temps de revenir à l'intérieur.
- Les repas idéaux pour cuisiner en hiver sont ceux ne nécessitant que peu d'attention, tels que les rôtis, les poulets entiers, les côtes et la dinde. Facilitez davantage votre repas en ajoutant des aliments simples, tels que des légumes et des pommes de terre.

### 3. CUISINER PAR TEMPS CHAUD

Lorsque le temps se réchauffe, le temps de cuisson diminue.

Suivez ces quelques suggestions sur la manière de profiter de votre gril lors des mois chauds :

- Diminuez la température de cuisson. Cela permet d'éviter des flambées involontaires.
- Utilisez un thermomètre de cuisson pour déterminer la température interne de vos aliments. Vous éviterez ainsi de trop cuire ou d'assécher votre viande.
- Même lorsqu'il fait chaud, cuire vos aliments en laissant le couvercle de votre gril fermé est recommandé.
- Vous pouvez conserver la chaleur de vos aliments en les enroulant dans du papier aluminium et en les plaçant dans une glacière isotherme. Amassez du papier journal froissé autour du papier aluminium pour maintenir vos aliments au chaud pendant 3 à 4 heures.



## PLAGES DE TEMPÉRATURES DU GRIL

Le relevé de température du panneau de contrôle peut légèrement différer de celui du thermomètre. Toutes les températures listées ci-dessous sont des approximations et sont impactées par les facteurs suivants : température extérieure ambiante, quantité et direction du vent, qualité des granulés utilisés, ouverture du couvercle et quantité d'aliments en train de cuire.

- **TEMPÉRATURE ÉLEVÉE (205 À 260 °C/401 À 500 °F)**

Cette plage est adaptée pour saisir et griller à haute température. Utilisez-la en combinaison avec le diffuseur de chaleur (plaque coulissante) pour cuire à l'aide d'une flamme directe ou indirecte. Lorsque le **diffuseur de chaleur est ouvert**, une flamme directe permet d'effectuer une cuisson « bleue » de la viande et de griller des légumes, des toasts à l'ail ou des s'mores ! Lorsque le **diffuseur de chaleur est fermé**, l'air circule autour du corps de l'appareil, permettant un chauffage par convection. Une forte température permet également de préchauffer votre gril, de brûler les grilles de cuisson et d'atteindre une chaleur élevée lorsqu'il fait extrêmement froid.

- **TEMPÉRATURE MOYENNE (135 À 180 °C/275 À 356 °F)**

Cette plage est adaptée pour rôtir, imiter une cuisson au four ou parfaire un plat lentement fumé. Cuire à ces températures réduira considérablement les risques de flambée de graisse. Veillez à ce que la plaque coulissante du diffuseur de chaleur soit fermée, recouvrant les fentes. Cette plage est excellente pour cuire des aliments entourés de bacon ou lorsque vous souhaitez un contrôle plus polyvalent.

- **BASSE TEMPÉRATURE (82 À 125 °C/180 À 257 °F)**

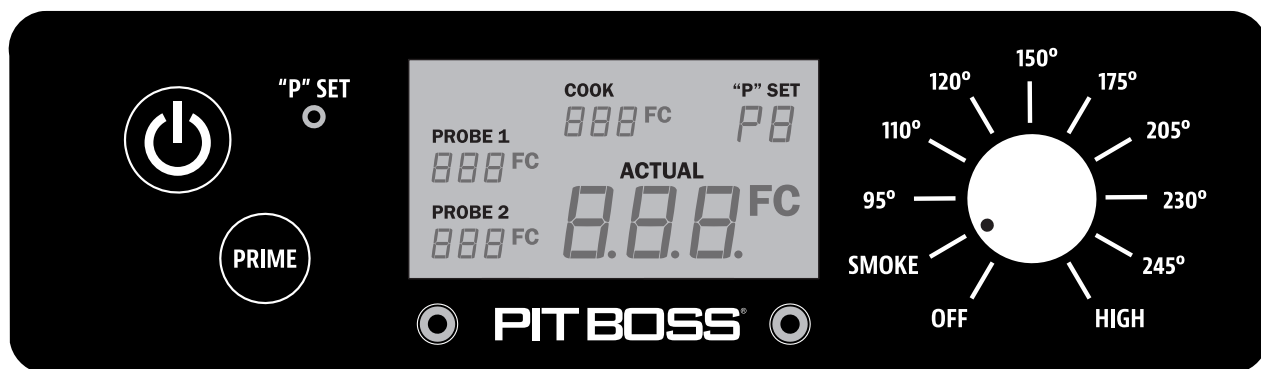
Cette plage permet de rôtir lentement, d'obtenir une saveur fumée plus forte et de maintenir les aliments au chaud. Infusez vos viandes d'une saveur fumée et assurez-vous qu'elles restent juteuses en adoptant une cuisson plus lente à basse température (aussi nommée méthode **low and slow**). Grandement recommandée pour la dinde de Thanksgiving, le juteux jambon de Pâques ou l'immense festin des fêtes de fin d'année.

Fumer les aliments est l'une des possibilités de la cuisson au barbecue, ce procédé est le réel avantage d'un gril à granulés de bois. Le **fumage à chaud**, autre nom du **low and slow**, s'effectue généralement entre 82 et 125 °C/180 et 257 °F. Le fumage à chaud fonctionne mieux lorsqu'un temps de cuisson plus long est nécessaire, par exemple pour de grosses pièces de viande, de poisson ou de volaille.

**ASTUCE : pour intensifier la saveur, passez en température smoke (basse) immédiatement après avoir posé vos aliments sur le gril. La fumée peut alors pénétrer dans la viande.**

Le secret est de tester la durée de fumage nécessaire avant que le repas ne soit entièrement cuit. Certains chefs cuisiniers d'extérieur préfèrent effectuer le fumage en fin de cuisson, permettant ainsi à la nourriture de rester au chaud jusqu'à ce qu'elle soit servie. La pratique est mère de la perfection !

## PRÉSENTATION DU PANNEAU DE CONTRÔLE



CONTRÔLE	DESCRIPTION
	Appuyez sur le <b>bouton d'alimentation</b> pour allumer l'appareil. Le bouton deviendra bleu si l'appareil est alimenté. Appuyez de nouveau sur le bouton pour éteindre l'appareil.
	La <b>molette de contrôle de température</b> vous permet de définir la température de fumage souhaitée. Une fois l'appareil connecté à une source d'alimentation et allumé, tournez la molette et sélectionnez l'un des dix pré-réglages de température, entre 82 et 260 °C/180 et 500 °F. Lorsque la molette est placée sur un pré-réglage de température, l'écran LCD numérique s'allume, il est alors prêt à être utilisé. Lorsque la molette est sur OFF, l'écran LCD reste éteint.
	Le <b>bouton « "P" Set »</b> permet de sélectionner parmi huit ajustements lorsque la molette de contrôle de température est placée sur « smoke ». Appuyez sur le bouton pour modifier la configuration et l'adapter à votre mode et environnement de cuisson. En <u>appuyant rapidement</u> sur le bouton, la configuration passe de P0 à P7, puis recommence au début. Les ajustements sont uniquement possibles en mode « smoke ». Le réglage d'usine par défaut est « P4 ». Une fois la configuration ajustée, votre préférence sera verrouillée (enregistrée) jusqu'à sa modification.  Le <b>bouton « "P" Set »</b> fait également office de <b>commutateur de température</b> afin de modifier le relevé de température sur l'écran LCD. <u>Maintenez le bouton appuyé</u> durant deux secondes pour passer des degrés Celsius (°C) à Fahrenheit (°F) selon votre préférence. Par défaut, l'appareil utilise les Celsius.
	L' <b>écran LCD</b> fait office de centre d'information sur votre appareil. L'écran LCD affichera la température de cuisson souhaitée, la température de cuisson réelle et la température de la sonde de cuisson (si celle-ci est connectée). Si une seule sonde de cuisson est connectée, un seul relevé s'affichera.
	Maintenez appuyé le <b>bouton Prime</b> pour acheminer plus de granulés vers le pot de combustion. Ce processus peut permettre d'ajouter plus de combustible au feu avant d'ouvrir le couvercle, entraînant une récupération de chaleur rapide. Il peut également s'utiliser en cours de fumage afin d'augmenter l'intensité du parfum fumé. Cette option a été demandée par les cuisiniers participant à des concours.
<b>SMOKE</b>	Le <b>paramètre Smoke</b> de la molette de contrôle de température est le mode de démarrage de l'appareil. Le grill fonctionne à la température la plus basse, sans que le feu ne se déclenche.
	Le ou les ports de raccordement situés à l'avant du panneau de contrôle sont destinés à la/aux <b>sonde(s) de cuisson</b> . Lorsqu'une sonde de cuisson est connectée, la température s'affiche sur l'écran LCD. Lorsque vous ne l'utilisez pas, débranchez la sonde de cuisson du port de raccordement. <i>Uniquement compatible avec les sondes de cuisson de la marque Pit Boss®. Vous pouvez acheter une ou plusieurs sondes de cuisson séparément.</i>



## PRÉSENTATION DES SONDÉS

### • *SONDE DE TEMPÉRATURE*

La sonde de température se trouve dans le corps principal, sur la paroi de gauche. Il s'agit d'une petite pièce verticale en acier inoxydable. La sonde de température mesure la température interne de l'appareil. Lorsque la température est ajustée sur le panneau de contrôle, la sonde de température relèvera la température réelle à l'intérieur de l'appareil et l'ajustera à la température souhaitée.

**IMPORTANT : la température de votre appareil est très impactée par la température extérieure ambiante, la qualité des granulés utilisés, le parfum des granulés et la quantité d'aliments en train de cuire.**

### • *SONDE DE CUISSON*

La sonde de cuisson mesure la température interne de votre viande sur le gril, tout comme dans votre four. Reliez l'adaptateur de la sonde de cuisson au port de raccordement situé sur le panneau de contrôle et insérez la sonde de cuisson en acier inoxydable dans la portion la plus épaisse de votre viande et la température s'affichera sur le panneau de contrôle. **Lorsque la sonde de cuisson est bien connectée au port de raccordement, vous sentez et entendez son enclenchement.**

**REMARQUE : lorsque vous placez la sonde de cuisson dans votre viande, veillez à ce que celle-ci et les câbles ne soient pas en contact direct avec la flamme ou une source de chaleur excessive. Cela pourrait endommager votre sonde de cuisson. Faites passer l'excès de câble via le trou situé du côté gauche du gril principal (près du gond du couvercle). Lorsque vous ne l'utilisez pas, débranchez la sonde de cuisson du port de raccordement et mettez-la de côté en veillant à ce qu'elle reste propre et en sécurité.**

## PRÉSENTATION DU PARAMÈTRE « P »

Lorsque le bouton encastré « "P" SET » est enclenché, le paramètre « P » affiché sur l'écran LCD clignotera et passera à la valeur suivante (incréméntation). Une fois arrivé à P7, l'option suivante sera de nouveau P0. Il existe huit paramètres « P », allant de P0 à P7. Le bouton encastré « "P" SET » peut être enclenché à l'aide d'un objet fin.

**IMPORTANT : n'appuyez pas trop fort sur le bouton « "P" SET » car cela pourrait l'endommager. Une simple légère pression est nécessaire.**

### • *UTILISER LE PARAMÈTRE « P » EN MODE « SMOKE »*

Dès que la molette de température est placée sur SMOKE, par exemple pour le cycle de démarrage, la vis sans fin passe en mode manuel de cuisson au lieu d'un pré-réglage de température. Tout d'abord, la vis sans fin tournera en continu et acheminera des granulés durant quatre minutes. Une fois ce temps écoulé, la vis sans fin mettra en place un cycle d'acheminement en fonction du paramètre « P » sélectionné sur le panneau de contrôle numérique. Le paramètre par défaut est P4.

CYCLE DE LA VIS SANS FIN (SECONDES)		
"P" SET	ACTIVÉ	DÉSACTIVÉ
P0	18	55
P1	18	70
P2	18	85
P3	18	100
<b>*P4</b>	<b>18</b>	<b>115</b>
P5	18	130
P6	18	140
P7	18	150

*\*Réglage d'usine par défaut*

## PROCÉDURE D'AMORCE DE LA TRÉMIE

Ces instructions doivent être respectées lors du premier allumage du gril et à chaque fois qu'il n'y a plus de granulés dans la trémie. La vis sans fin doit être amorcée pour permettre aux granulés de traverser la trémie et remplir le pot de combustion. **Si elle n'est pas amorcée, l'allumeur stoppera avant que les granulés ne soient brûlés et aucun feu ne prendra.** Suivez ces étapes pour amorcer la trémie :

- Ouvrez le couvercle de la trémie. Assurez-vous qu'aucun objet étranger ne se trouve dans la trémie ou ne bloque le système d'acheminement de la vis sans fin au fond.
- Retirez tous les composants de cuisson de l'intérieur du gril. Localisez le pot de combustion au bas du corps principal.
- Branchez le câble électrique à une source d'alimentation. Appuyez sur le **bouton d'alimentation** pour allumer l'appareil et tournez la **molette de contrôle de température** sur la position SMOKE. Vérifiez les éléments suivants :
  - Que vous entendez la vis sans fin tourner. Placez votre main au-dessus du pot de combustion et cherchez la circulation d'air. Ne placez pas votre main ou vos doigts à l'intérieur du pot de combustion. Cela peut provoquer des blessures.
  - Après environ une minute, vous devriez sentir l'odeur de l'allumeur qui brûle et commencer à ressentir que l'air devient plus chaud dans le pot de combustion. L'extrémité de l'allumeur ne devient pas rouge, mais est néanmoins brûlante. Ne touchez pas l'allumeur.

- Après avoir vérifié que les composants électriques fonctionnent correctement, appuyez sur le **bouton d'alimentation** pour éteindre l'appareil.
- Remplissez la trémie avec des granulés de bois naturel pour barbecue.
- Appuyez sur le **bouton d'alimentation** pour allumer l'appareil. Laissez la **molette de contrôle de température** sur SMOKE. Maintenez le **bouton Prime** appuyé jusqu'à voir des granulés à l'intérieur du gril via le tube de la vis sans fin. Lorsque les granulés commencent à passer dans le pot de combustion, relâchez le **bouton Prime**.
- Appuyez sur le **bouton d'alimentation** pour éteindre l'appareil.
- Réinstallez les composants dans le corps principal. Le gril est désormais prêt à être utilisé.

## PREMIÈRE UTILISATION - BRÛLAGE DU GRIL

Une fois votre trémie amorcée et avant de faire cuire des aliments sur votre gril pour la première fois, il est important d'effectuer un brûlage du gril. Allumez le gril et faites-le tourner à une température supérieure à 176 °C/350 °F (couvercle fermé) durant 30 à 40 minutes afin de brûler le gril et vous débarrasser de toute substance étrangère.

## PROCÉDURE DE DÉMARRAGE AUTOMATIQUE

- Branchez le câble électrique à une source d'alimentation mise à la terre. Ouvrez le couvercle du corps principal. Vérifiez que le pot de combustion n'est pas obstrué afin que l'allumage se fasse correctement. Ouvrez le couvercle de la trémie. Assurez-vous qu'aucun objet étranger ne se trouve dans la trémie ou le système d'acheminement de la vis sans fin. Remplissez la trémie avec des granulés secs de bois naturel pour barbecue.
- Veillez à ce que la **molette de contrôle de température** soit en position SMOKE. Appuyez sur le **bouton d'alimentation** pour allumer l'appareil. Cela activera le cycle de démarrage. Le système d'acheminement de la vis sans fin commencera à tourner, l'allumeur commencera à rougeoier et le ventilateur aérera le pot de combustion. Le gril commencera à produire de la fumée lorsque le cycle de démarrage se mettra en place. Le couvercle du corps de l'appareil doit rester ouvert au cours du cycle de démarrage. Pour veiller à ce que le cycle de démarrage commence correctement, soyez à l'affût d'un grondement de flamme et assurez-vous de la production de chaleur.
- Une fois l'épaisse fumée blanche dissipée, le cycle de démarrage sera terminé et vous pourrez commencer à profiter de votre gril à la température de votre choix !

## PROCÉDURE EN CAS DE PROBLÈME D'ALLUMEUR

**Si pour une raison quelconque votre allumeur électrique ne fonctionne pas ou que la flamme de votre gril s'éteint en cours de cuisson, utilisez les étapes suivantes ou lancez votre gril en mode manuel.**

- Veillez à ce que la **molette de contrôle de température** soit en position SMOKE. Ouvrez le couvercle du corps de l'appareil. Retirez les composants de cuisson de l'intérieur. Retirez tous les granulés non brûlés et les cendres du pot de combustion. Évitez de toucher l'allumeur pour ne pas vous blesser car celui-ci peut être extrêmement chaud.
- Une fois tous les composants de cuisson retirés et nettoyés, appuyez sur le **bouton d'alimentation** pour allumer l'appareil. Vérifiez ce qui suit :
  - Confirmez visuellement que l'allumeur fonctionne en plaçant votre main au-dessus du pot de combustion en quête de chaleur.
  - Confirmez visuellement que l'allumeur dépasse d'environ 13 mm/0,5 po dans le pot de combustion.
  - Confirmez visuellement que la vis sans fin achemine des granulés dans le pot de combustion.
  - Confirmez que le ventilateur de combustion fonctionne en étant à l'affût d'un grondement de flamme.
- Si l'un des points ci-dessus ne fonctionne pas, suivez les instructions de **dépannage**.

## PROCÉDURE DE DÉMARRAGE MANUEL

- Veillez à ce que la **molette de contrôle de température** soit en position **SMOKE**. Branchez le câble électrique à une source d'alimentation mise à la terre.
- Vérifiez que le pot de combustion n'est pas obstrué afin que l'allumage se fasse correctement. Ouvrez le couvercle de la trémie. Assurez-vous qu'aucun objet étranger ne se trouve dans la trémie ou le système d'acheminement de la vis sans fin. Remplissez la trémie avec des granulés secs de bois naturel pour barbecue.

- Ouvrez le couvercle du corps de l'appareil. Retirez les composants de cuisson pour que le pot de combustion soit apparent. Placez une bonne poignée de granulés dans le pot de combustion. Aspergez un allume-feu gélifié, ou un autre produit permettant de faire brûler les granulés, au-dessus des granulés. Une petite quantité d'allume-feu solide, par exemple composé de sciure et de cire, ou encore des copeaux, fonctionnent également. Ajoutez une autre petite quantité de granulés dans le pot de combustion.

**REMARQUE : n'utilisez pas d'alcool, d'essence, d'essence à briquet ou de pétrole pour allumer et raviver un feu dans votre gril.**

- Mettez feu au contenu du pot de combustion à l'aide d'une longue allumette ou d'un briquet à long bec. Laissez le produit d'allumage brûler durant 3 à 5 minutes. N'essayez pas d'ajouter plus de produit dans le pot de combustion. Cela peut provoquer des blessures.
- Placez rapidement et avec soin les composants de cuisson à l'intérieur du corps principal de l'appareil. Continuez le démarrage à l'étape deux de la **Procédure de démarrage automatique**.

## ARRÊT DE VOTRE GRIL

- Lorsque vous avez fini de cuisiner, tout en laissant le couvercle du corps principal fermé, appuyez sur le **bouton d'alimentation** pour éteindre l'appareil et placez la **molette de contrôle de température** sur OFF. Le gril débutera son cycle de refroidissement automatique. Le système de la vis sans fin arrêtera d'acheminer des combustibles, la flamme s'éteindra et le ventilateur continuera à tourner jusqu'à la fin du cycle de refroidissement.

## ENTRETIEN ET MAINTENANCE

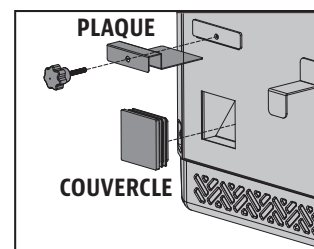
Avec un minimum d'entretien, chaque appareil de Pit Boss® vous confèrera de nombreuses années de service riches en saveurs. Suivez ces conseils de nettoyage et entretien pour vous occuper de votre gril :

### 1. ASSEMBLAGE DE LA TRÉMIE

- La trémie comprend une fonctionnalité de nettoyage pour faciliter l'entretien et permettre de modifier la saveur des granulés. Pour la vider, localisez la plaque et le couvercle de la boîte de dépôt à l'arrière de la trémie. Placez un seau propre et vide sous le couvercle de la boîte de dépôt et retirez-le. Dévissez la plaque, faites-la coulisser vers l'extérieur et les granulés sortiront.

**REMARQUE : utilisez une brosse à manche long ou une brosse d'aspirateur pour retirer l'excès de granulés, la sciure et les débris afin d'effectuer un nettoyage complet via le filtre de la trémie.**

- Il est recommandé de retirer tous les granulés du système de vis sans fin si vous ne comptez pas utiliser votre gril durant une longue période. Vous pouvez faire cela simplement en faisant fonctionner votre gril avec une trémie vide, jusqu'à ce que tous les granulés aient disparu du tube de la vis sans fin.
- Retirez tous les débris éventuels du conduit d'aération du ventilateur **qui se trouve au fond de la trémie. Une fois le panneau d'accès de la trémie retiré (voir Schéma du câblage électrique)**, enlevez avec soin toute la graisse accumulée sur les lames du ventilateur. Cela permet d'obtenir une aération suffisante pour le système d'acheminement.



### 2. SONDÉS

- Des nœuds ou plis des câbles des sondes peuvent provoquer des dégâts. Les câbles doivent être enroulés, sans être serrés.
- Même si les sondes sont en acier inoxydable, ne les passez pas au lave-vaisselle et ne les immergez pas sous l'eau. Des dégâts des eaux causés aux câbles internes provoqueront des courts-circuits et donc des relevés erronés. Si une sonde est endommagée, vous devez la remplacer.

### 3. SURFACES INTÉRIEURES

- Il est recommandé de nettoyer votre pot de combustion régulièrement. Cela assurera l'allumage correct et évitera toute forte accumulation de débris ou de cendres dans le pot de combustion.
- Utilisez une brosse de nettoyage de gril à manche long (en laiton ou en métal doux), puis retirez la nourriture ou les accumulations sur les grilles de cuisson. Une bonne pratique consiste à le faire alors qu'elles sont encore tièdes suite à une

précédente cuisson. Les feux de graisse sont causés par une accumulation de chutes de débris sur les composants de cuisson du gril. Nettoyez donc régulièrement l'intérieur de votre gril. En cas de feu de graisse, maintenez le couvercle du gril fermé afin d'étouffer le feu. Si celui-ci ne cesse pas rapidement, retirez la nourriture avec prudence, éteignez le gril et fermez le couvercle jusqu'à ce que le feu s'éteigne. Si vous avez du bicarbonate de soude, saupoudrez-en légèrement.

- Vérifiez régulièrement votre seau à graisse et nettoyez-le dès que nécessaire. N'oubliez pas le type de cuisson que vous effectuez.

**IMPORTANT : à cause de leur forte chaleur, ne recouvrez pas le diffuseur de chaleur ou les sondes avec du papier aluminium.**

#### 4. SURFACES EXTÉRIEURES

- Nettoyez votre gril après chaque utilisation. Utilisez une eau savonneuse chaude pour retirer la graisse. N'utilisez pas de nettoyant pour four ni de détergents ou éponges abrasifs sur les surfaces externes du gril. **Toutes les surfaces peintes ne sont pas couvertes par la garantie, elles font partie de la maintenance et de l'entretien généraux.** Concernant les griffures sur la peinture, l'usure ou l'écaillage du vernis, toutes les surfaces peintes peuvent être retouchées à l'aide d'une peinture haute température pour barbecue.
- Utilisez une housse de gril pour protéger complètement ce dernier ! Une housse est la protection idéale contre les aléas météorologiques et les polluants extérieurs. Lorsque vous n'utilisez pas l'appareil ou que vous le rangez pour une longue période, placez-le sous une housse dans un garage ou un abri de jardin.

**TABLEAU DE FRÉQUENCE DE NETTOYAGE (USAGE NORMAL)**

ÉLÉMENT	FRÉQUENCE DE NETTOYAGE	MÉTHODE DE NETTOYAGE
Bas du gril principal	Toutes les 5 ou 6 utilisations du gril	Retirer, aspirer l'excès de débris
Pot de combustion	Toutes les 2 ou 3 utilisations du gril	Retirer, aspirer l'excès de débris
Grilles de cuisson	Après chaque utilisation du gril	Brûler l'excès, brosse en fil de laiton
Diffuseur de chaleur	Toutes les 5 ou 6 utilisations du gril	Gratter la plaque principale avec la plaque coulissante, <b>ne pas laver</b>
Étagère avant	Après chaque utilisation du gril	Éponge à récurer et eau savonneuse
Seau à graisse	Après chaque utilisation du gril	Éponge à récurer et eau savonneuse
Système d'acheminement de la vis sans fin	Lorsque le sac de granulés est vide	Laisser la vis sans fin pousser la sciure afin que la trémie soit vide
Composants électriques de la trémie	Une fois par an	Épousseter l'intérieur, nettoyer les lames du ventilateur avec de l'eau savonneuse
Conduit d'aération	Toutes les 5 ou 6 utilisations du gril	Épousseter, éponge à récurer et eau savonneuse
Sonde de température	Toutes les 2 ou 3 utilisations du gril	Éponge à récurer et eau savonneuse

# CONSEILS ET TECHNIQUES

Suivez ces astuces et techniques utiles, transmises par les propriétaires de produits Pit Boss, notre équipe et nos clients tels que vous, afin de vous familiariser avec votre gril :

## 1. SÉCURITÉ ALIMENTAIRE

- Maintenez le contenu de la cuisine et de la zone de cuisson propre. Utilisez des plats et ustensiles différents pour la viande cuite et la préparation ou le transport de la viande crue sur le gril. Vous pourrez ainsi éviter une contamination croisée de bactéries. Chaque marinade ou jus de cuisson doit posséder ses propres ustensiles.
- Maintenez au chaud les aliments chauds (au-dessus de 60 °C/140 °F) et au frais les aliments froids (en dessous de 3 °C/37 °F).
- Une marinade ne doit jamais être conservée et utilisée ultérieurement. Si vous comptez la servir avec votre viande, faites-la préalablement bouillir.
- Les aliments cuits ne doivent pas être laissés dehors dans la chaleur durant plus d'une heure. Ne laissez pas les aliments chauds sans réfrigération durant plus de deux heures.
- Décongelez et faites mariner la viande par réfrigération. Ne la faites pas décongeler à température ambiante ou sur un plan de travail. Des bactéries peuvent se développer et se multiplier rapidement au sein d'aliments tièdes et humides. Lavez-vous minutieusement les mains avec de l'eau chaude et savonneuse avant la préparation d'un repas et après avoir manipulé de la viande, du poisson et de la volaille.

## 2. PRÉPARATION POUR LA CUISSON

- Préparez-vous bien. Placez la recette, les combustibles, les accessoires, les ustensiles et tous les ingrédients dont vous avez besoin près du gril avant de débiter la cuisson. Lisez également toute la recette avant d'allumer le gril.
- Un tapis de protection pour barbecue est très utile. Étant donné les risques d'éclaboussures et d'accidents en manipulant de la nourriture, un tapis protège les terrasses, patios ou plateformes en pierre contre les taches de graisse ou les renversements accidentels.

## 3. ASTUCES ET TECHNIQUES DE CUISSON

- Pour infuser vos viandes d'une saveur fumée, adoptez une cuisson plus lente à basse température (aussi nommée méthode **low and slow**). La viande resserrera ses fibres après avoir atteint une température interne de 49 °C/120 °F. Vaporiser ou saucer la viande est une excellente manière de l'empêcher de sécher.
- Lorsque vous souhaitez saisir la viande, laissez le couvercle fermé. Utilisez toujours un thermomètre de cuisson pour déterminer la température interne des aliments que vous cuisinez. Fumer des aliments avec des granulés de bois fera rosir les viandes et volailles. La ligne rose (après cuisson) est nommée **anneau de fumée**, elle est très prisée des chefs cuisiniers d'extérieur.
- Il vaut mieux ajouter les sauces sucrées vers la fin de la cuisson pour éviter que la viande ne brûle ou flambe.
- Laissez de l'espace entre les aliments et les bords du corps de l'appareil pour permettre une bonne diffusion de chaleur. Les aliments posés sur un gril surchargé nécessiteront une cuisson plus longue.
- Utilisez un ensemble de pinces à manche long pour tourner la viande et une spatule pour tourner les steaks hachés et le poisson. Utiliser un ustensile perçant, tel qu'une fourchette, piquera la viande et laissera le jus s'échapper.
- Les aliments placés dans de grandes cocottes mettront plus de temps à cuire que dans un moule peu profond.
- Pour que votre nourriture reste chaude, une bonne astuce consiste à la placer sur un plat chauffé. La viande rouge, telle que les steaks et les rôtis, est meilleure si vous la laissez reposer quelques minutes avant de la servir. Cela permet aux jus ayant été attirés vers la surface par la chaleur de revenir vers le centre de la viande, ajoutant ainsi plus de saveur.

# DÉPANNAGE

Un nettoyage et une maintenance adaptés, ainsi que l'utilisation de combustible propre, sec et de qualité évitera la plupart des problèmes de fonctionnement. Lorsque votre grill Pit Boss® est mal ou peu utilisé, les astuces de dépannage suivantes peuvent s'avérer utiles.

Pour consulter des FAQ, rendez-vous sur [www.pitboss-grills.com](http://www.pitboss-grills.com). Vous pouvez également contacter votre revendeur local agréé par Pit Boss® ou le service clients pour obtenir de l'aide.

**ATTENTION : débranchez toujours le câble électrique avant d'ouvrir le grill pour effectuer une inspection, un nettoyage, une maintenance ou un entretien. Veillez à ce que le grill soit totalement froid afin d'éviter toute blessure.**

PROBLÈME	CAUSE	SOLUTION
Aucun éclairage sur le panneau de contrôle	La molette de contrôle de température est toujours sur OFF.	Appuyez sur le bouton d'alimentation et assurez-vous qu'il s'allume en bleu, prouvant que le raccordement électrique fonctionne. Tournez la molette de contrôle sur un paramètre de température.
	Non connecté à une source d'alimentation	Veillez à ce que l'appareil soit relié à une source d'alimentation en état de marche. Réinitialisez le disjoncteur. Veillez à ce que la prise DDFT fonctionne à un minimum de 10 A (consultez le <b>Schéma du câblage électrique</b> pour accéder aux composants électriques). Veillez à ce que tous les câblages soient fermement reliés et secs.
	Fusible grillé sur le panneau de contrôle	Retirez le panneau d'accès de la trémie (consultez le <b>Schéma du câblage électrique</b> ), appuyez sur les languettes en plastique maintenant le panneau de contrôle en place et poussez le contrôleur à l'intérieur de la trémie pour le dégager. Vérifiez le fusible pour voir si un câble est cassé ou noirci. Si tel est le cas, le fusible doit être remplacé manuellement.
	La prise DDFT a disjoncté.	Retirez le panneau d'accès de la trémie (consultez le <b>Schéma du câblage électrique</b> ) et veillez à ce que tous les raccordements de câbles soient fermement connectés et secs. Veillez à ce que la prise DDFT fonctionne à un minimum de 10 A.
	Panneau de contrôle défectueux	Le panneau de contrôle doit être remplacé. Contactez le service clients pour obtenir une pièce de rechange.
Le feu du pot de combustion ne s'allume pas	La vis sans fin n'est pas amorcée	Avant d'utiliser l'appareil pour la première fois ou dès que la trémie est entièrement vide, la vis sans fin doit être amorcée pour permettre aux granulés de remplir de tube. Si elle n'est pas amorcée, l'allumeur stoppera avant que les granulés n'atteignent le pot de combustion. Suivez la <b>Procédure d'amorce de la trémie</b> .
	Le moteur de la vis sans fin est bloqué	Retirez les composants de cuisson du corps principal de l'appareil. Appuyez sur le bouton d'alimentation pour allumer l'appareil, tournez la molette de contrôle de température sur la position SMOKE et inspectez le système d'acheminement de la vis sans fin. Confirmez visuellement que la vis sans fin achemine des granulés dans le pot de combustion. Si le processus ne fonctionne pas correctement, appelez le service clients pour obtenir de l'aide ou une pièce de rechange.
	Problème d'allumeur	Retirez les composants de cuisson du corps principal de l'appareil. Appuyez sur le bouton d'alimentation pour allumer l'appareil, tournez la molette de contrôle de température sur la position SMOKE et inspectez l'allumeur. Confirmez visuellement que l'allumeur fonctionne en plaçant votre main au-dessus du pot de combustion en quête de chaleur. Confirmez visuellement que l'allumeur dépasse d'environ 13 mm/0,5 po dans le pot de combustion. S'il ne fonctionne pas correctement, suivez la <b>Procédure de démarrage manuel</b> pour continuer à utiliser votre grill. Appelez le service clients pour obtenir de l'aide ou une pièce de rechange.
Points qui clignotent sur l'écran LCD	L'allumeur est en marche	Cette erreur n'impacte pas le grill. Elle permet de voir que l'appareil est alimenté et est en mode démarrage (l'allumeur est en marche). L'allumeur s'éteindra au bout de cinq minutes. Lorsque les points qui clignotent disparaissent, le grill commence à s'ajuster à la température sélectionnée.
Température qui clignote sur l'écran LCD	La température du grill est inférieure à 65 °C/150 °F	Cette erreur n'impacte pas le grill. Elle permet de voir qu'il existe un risque sur le feu s'éteigne. Vérifiez que la trémie contient assez de combustible ou que le système d'acheminement n'est pas obstrué. Retirez les granulés et suivez les instructions d' <b>Entretien et maintenance</b> . Vérifiez la sonde de température du grill et suivez les instructions d' <b>Entretien et maintenance</b> si celle-ci est sale. Vérifiez que le pot de combustion n'est pas obstrué ou qu'il ne contient pas de cendres accumulées et suivez les instructions d' <b>Entretien et maintenance</b> en cas d'accumulation de cendres. Vérifiez le ventilateur. Assurez-vous qu'il fonctionne correctement et que le conduit d'entrée d'air n'est pas bouché. Suivez les instructions d' <b>Entretien et maintenance</b> si celui-ci est sale. Vérifiez le bon fonctionnement (rotation) du moteur de la vis sans fin et assurez-vous que le tube de la vis sans fin n'est pas bloqué.



Code d'erreur « ErH »	L'appareil a surchauffé, probablement à cause d'un feu de graisse ou un d'excès de combustible.	Appuyez sur le bouton d'alimentation pour éteindre l'appareil et laissez-le refroidir. Suivez les instructions d' <b>Entretien et maintenance</b> . Après entretien, retirez les granulés et vérifiez le bon positionnement de tous les composants. Une fois l'appareil refroidi, appuyez sur le bouton d'alimentation pour l'allumer et sélectionnez la température souhaitée. Si le code d'erreur s'affiche toujours, contactez le service clients.
Code d'erreur « Er1 »	Le câble de la sonde de température ne se connecte pas.	Retirez le panneau d'accès de la trémie (consultez le <b>Schéma du câblage électrique</b> ) et vérifiez si les câbles de la sonde de température sont abimés. Veillez à ce que les connecteurs Molex de la sonde de température soient fermement et correctement reliés au panneau de contrôle.
Code d'erreur « ErP »	L'appareil n'a pas été éteint correctement lors de sa dernière connexion à l'alimentation. Coupure de courant alors que l'appareil est allumé.	Une fonctionnalité de sécurité empêche un redémarrage automatique. Appuyez sur le bouton d'alimentation pour éteindre l'appareil, attendez deux minutes, puis appuyez de nouveau sur le bouton d'alimentation pour allumer l'appareil. Tournez la molette de contrôle sur SMOKE ou la température de votre choix. Si le code d'erreur s'affiche toujours, contactez le service clients.
Code d'erreur « noP »	Mauvaise connexion au port de raccordement Sonde de cuisson endommagée Panneau de contrôle défectueux	Déconnectez la sonde de cuisson du port de raccordement du panneau de contrôle, puis reconnectez-la. Veillez à ce que l'adaptateur de la sonde de cuisson soit fermement connecté. Vérifiez que l'extrémité de l'adaptateur n'est pas abimée. Si l'erreur persiste, contactez le service clients pour obtenir une pièce de rechange. Vérifiez que les câbles de la sonde de cuisson ne sont pas abimés. Si tel est le cas, contactez le service clients pour obtenir une pièce de rechange. Le panneau de contrôle doit être remplacé. Contactez le service clients pour obtenir une pièce de rechange.
La température du gril en mode SMOKE est trop élevée	Le paramètre « P » est trop bas	Appuyez sur le bouton « "P" SET » et augmentez le paramètre « P ».
Le gril ne parvient pas à une température stable ou n'arrive pas à la maintenir	Écoulement d'air insuffisant dans le pot de combustion Manque de combustible, combustible de mauvaise qualité ou obstruction du système d'acheminement Sonde de température	Vérifiez qu'il n'y a pas d'accumulation de cendres ou d'obstruction dans le pot de combustion. Suivez les instructions d' <b>Entretien et maintenance</b> en cas d'accumulation de cendres. Vérifiez le ventilateur. Assurez-vous qu'il fonctionne correctement et que le conduit d'entrée d'air n'est pas bouché. Suivez les instructions d' <b>Entretien et maintenance</b> si celui-ci est sale. Vérifiez le bon fonctionnement du moteur de la vis sans fin et assurez-vous que le tube de la vis sans fin n'est pas bloqué. Une fois toutes les étapes précédentes effectuées, démarrez le gril, configurez la température sur SMOKE et attendez 10 minutes. Vérifiez que la flamme produite est vive. Vérifiez que le niveau de combustible dans la trémie est suffisant, remplissez si besoin. Si la qualité des granulés de bois est mauvaise ou que leur taille est trop grande, le système d'acheminement peut s'obstruer. Retirez les granulés et suivez les instructions d' <b>Entretien et maintenance</b> . Vérifiez le statut de la sonde de température. Suivez les instructions d' <b>Entretien et maintenance</b> si celui-ci est sale. Contactez le service clients pour obtenir une pièce de rechange en cas de dommage.
Le gril produit trop de fumée ou une fumée décolorée	Accumulation de graisse Qualité des granulés de bois Le pot de combustion est bloqué Arrivée d'air insuffisante pour le ventilateur	Suivez les instructions d' <b>Entretien et maintenance</b> . Retirez les granulés de bois humides de la trémie. Suivez les instructions d' <b>Entretien et maintenance</b> pour procéder au nettoyage. Remplacez-les par des granulés de bois secs. Retirez les granulés de bois humides du pot de combustion. Suivez la <b>Procédure d'amorce de la trémie</b> . Vérifiez le ventilateur. Assurez-vous qu'il fonctionne correctement et que le conduit d'entrée d'air n'est pas bouché. Suivez les instructions d' <b>Entretien et maintenance</b> si celui-ci est sale.
Flambées fréquentes	Température de cuisson Accumulation de graisse sur les composants de cuisson	Essayez de cuire à plus faible température. La graisse possède un point d'inflammabilité. Maintenez une température inférieure à 176 °C/350 °F lorsque vous cuisez des aliments très gras. Suivez les instructions d' <b>Entretien et maintenance</b> .

# SCHÉMA DU CÂBLAGE ÉLECTRIQUE

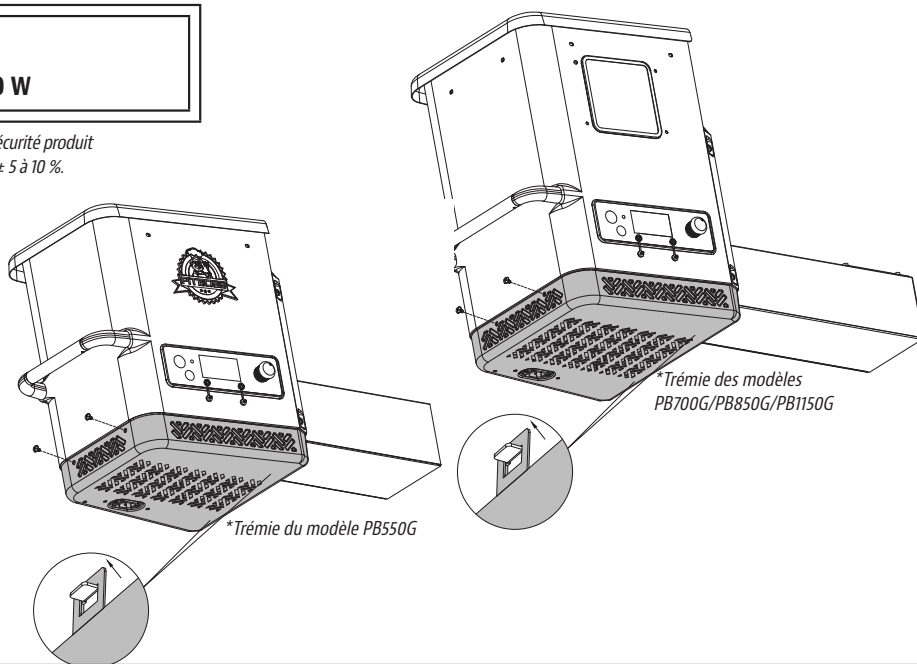
Le système du panneau de contrôle utilise une technologie complexe de grande valeur. Pour vous protéger contre les surtensions et les courts-circuits électriques, consultez le schéma du câblage ci-dessous afin de veiller à ce que votre source d'alimentation soit suffisante pour faire fonctionner l'appareil.

## PB – EXIGENCES ÉLECTRIQUES PRISE DE TERRE DE 220 À 240 V, 50 Hz ET 250 W

REMARQUE : les composants électriques, ayant été soumis à des tests de sécurité produit et des services de certification, sont conformes à une tolérance de test de  $\pm 5$  à 10 %.

TROUVEZ ET RETIREZ LES DEUX VIS DU PANNEAU D'ACCÈS SUR LE CÔTÉ DE LA TRÉMIE.

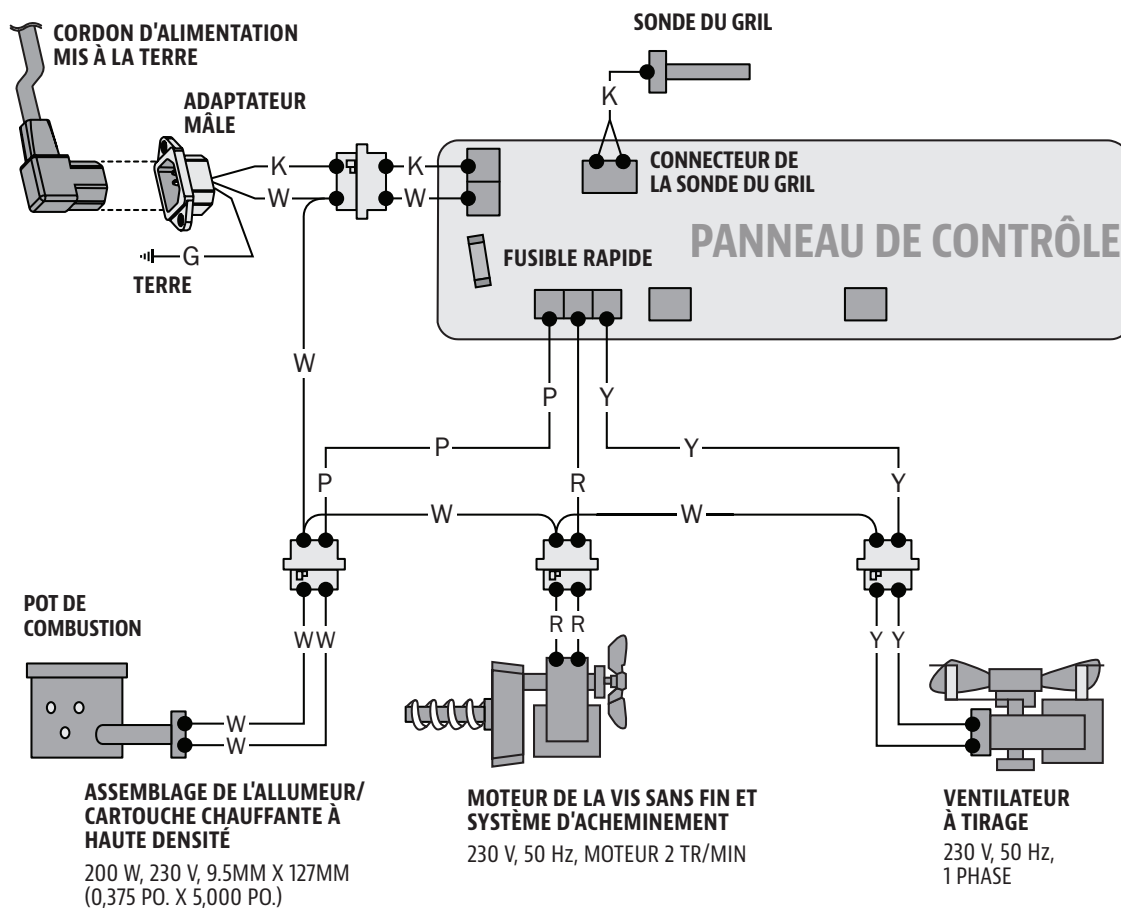
RELÂCHEZ LE PANNEAU INFÉRIEUR DE LA TRÉMIE ET RECULEZ-LE POUR LE LIBÉRER DE LA LANGUETTE.



**TAUX D'ENTRÉE DU COMBUSTIBLE:**  
2 KG/H  
(4.4 LB/H)

### INDICATEUR

W : BLANC  
Y : JAUNE  
P : VIOLET  
R : ROUGE  
K : NOIR  
G : VERT



# PIÈCES DE RECHANGE DU GRIL PB550G

N°	Description
1-A	Butoir pour couvercle (x 1)
2-A	Poignée pour couvercle (x 1)
3-A	Bague de la poignée pour couvercle (x 2)
4-A	Corps principal (x 1)
5-A	Assemblage de la trémie (x 1)
6-A	Barre de réglage du grilloir à flamme (x 1)
7-A	Poignée de la barre de réglage du grilloir à flamme (x 1)
8-A	Plaque coulissante du diffuseur de chaleur (x 1)
9-A	Plaque principale du diffuseur de chaleur (x 1)
10-A	Pied avant gauche (x 1)
11-A	Pied arrière gauche (x 1)
12-A	Pied avant droit (x 1)
13-A	Pied arrière droit (x 1)
14-A	Pièce de garniture pour pied avant gauche (x 1)
15-A	Pièce de garniture pour pied arrière gauche (x 1)
16-A	Roue (x 2)
17-A	Plaque de maintien inférieure droite (x 1)
18-A	Plaque de maintien inférieure gauche (x 1)
19-A	Plaque de maintien courte (x 2)

N°	Description
20-A	Plaque de maintien longue avant/arrière (x 2)
21-A	Étagère avant (x 1)
22-A	Support pour étagère avant droit (x 1)
23-A	Support pour étagère avant gauche (x 1)
24-A	Seau à graisse (x 1)
25-A	Plateau latéral droit (x 1)
26-A	Grille de cuisson (x 2)
27-A	Support chauffant (x 1)
28-A	Sonde de cuisson (x 1)
29-A	Clip du cordon d'alimentation (x1)
30-A	Cordon d'alimentation - fiche F (x1)
31-A	Cordon d'alimentation - fiche G (x1)
A	Vis (x 18)
B	Rondelle (x 18)
C	Rondelle de blocage (x 18)
D	Vis (x 30)
E	Goupille cannelée pour roue (x 2)
F	Goupille bêta pour roue (x 2)
G	Rondelle pour roue (x 2)

REMARQUE : en raison du développement continu du produit, des pièces peuvent faire l'objet de modifications sans préavis.

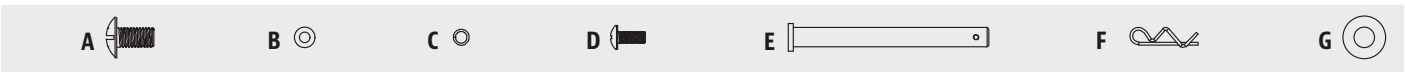
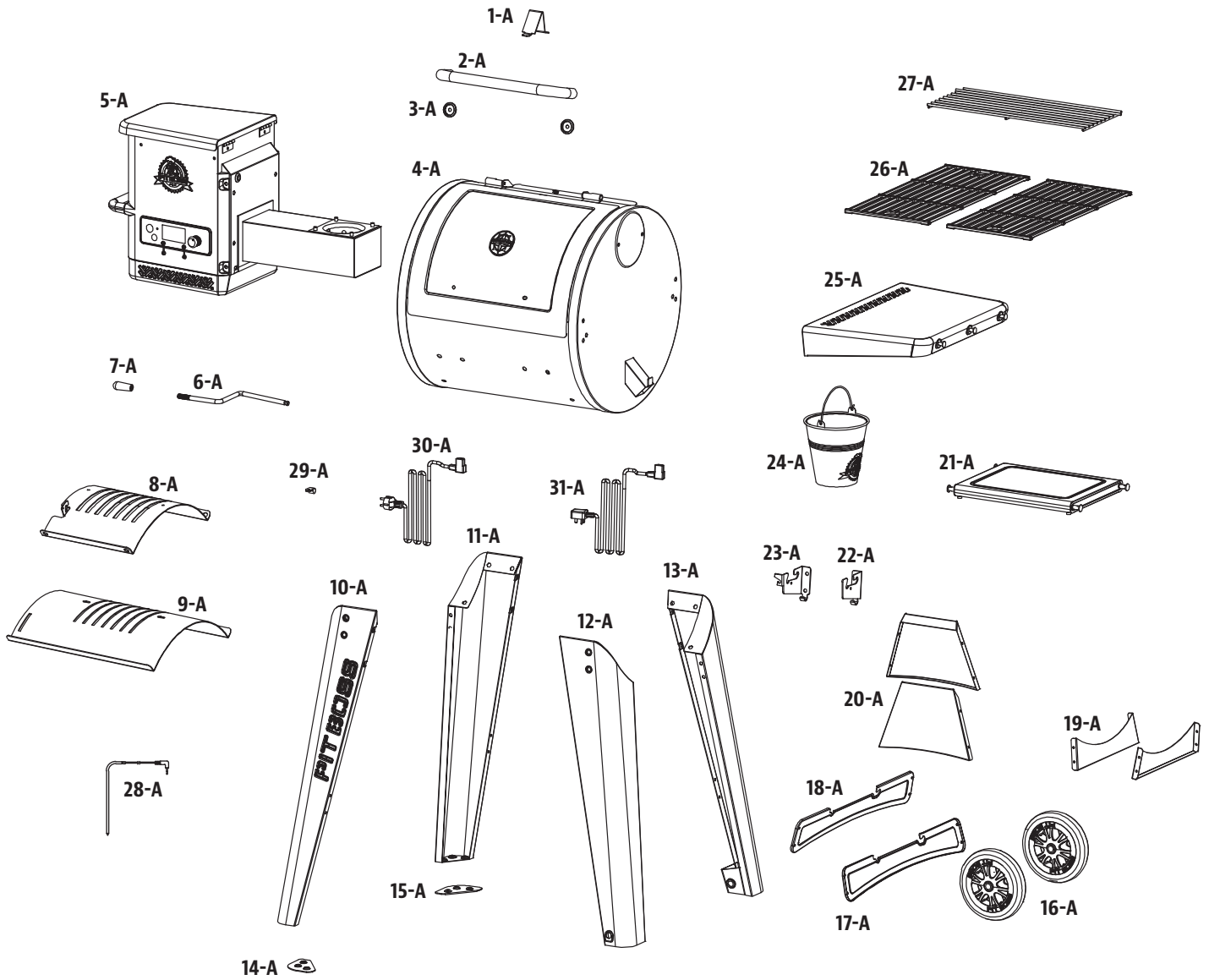
Illustration à la page suivante.

MODÈLE	APPAREIL MONTÉ (L x H x P)	POIDS DE L'APPAREIL	ZONE DE CUISSON	PLAGE DE TEMPÉRATURE	FONCTIONS NUMÉRIQUES
PB PB550G	1227mm x 1195mm x 868mm / 48,3 po x 47 po x 34,17 po	55,7 kg / 122,81 lb	Principale - 2580,6 cm <sup>2</sup> / 400 po <sup>2</sup> Grille supérieure - 920 cm <sup>2</sup> / 142,6 po <sup>2</sup> <b>TOTAL - 3500,6 cm<sup>2</sup> / 542,6 po<sup>2</sup></b>	82 à 260 °C/ 180 à 500 °F	Dix pré-réglages de température, cycles de démarrage et de refroidissement, allumeur électrique

# PIÈCES DE RECHANGE DU GRIL PB550G

FR

FRANÇAIS



# PIÈCES DE RECHANGE DU GRIL PB700G

N°	Description
1-A	Butoir pour couvercle (x 1)
2-A	Poignée pour couvercle (x 1)
3-A	Bague de la poignée pour couvercle (x 2)
4-A	Corps principal (x 1)
5-A	Assemblage de la trémie (x 1)
6-A	Barre de réglage du grilloir à flamme (x 1)
7-A	Poignée de la barre de réglage du grilloir à flamme (x 1)
8-A	Plaque coulissante du diffuseur de chaleur (x 1)
9-A	Plaque principale du diffuseur de chaleur (x 1)
10-A	Pied avant gauche (x 1)
11-A	Pied arrière gauche (x 1)
12-A	Pied avant droit (x 1)
13-A	Pied arrière droit (x 1)
14-A	Pièce de garniture pour pied avant gauche (x 1)
15-A	Pièce de garniture pour pied arrière gauche (x 1)
16-A	Roue (x 2)
17-A	Plaque de maintien inférieure droite (x 1)
18-A	Plaque de maintien inférieure gauche (x 1)
19-A	Plaque de maintien courte (x 2)
20-A	Plaque de maintien longue avant (x 1)

N°	Description
21-A	Plaque de maintien longue arrière (x 1)
22-A	Étagère avant (x 1)
23-A	Support pour étagère avant droit (x 1)
24-A	Support pour étagère avant gauche (x 1)
25-A	Seau à graisse (x 1)
26-A	Plateau latéral droit (x 1)
27-A	Grille de cuisson (x 2)
28-A	Support chauffant (x 1)
29-A	Sonde de cuisson (x 1)
30-A	Clip du cordon d'alimentation (x1)
31-A	Cordon d'alimentation - fiche F (x1)
32-A	Cordon d'alimentation - fiche G (x1)
A	Vis (x 18)
B	Rondelle (x 18)
C	Rondelle de blocage (x 18)
D	Vis (x 30)
E	Goupille cannelée pour roue (x 2)
F	Goupille bêta pour roue (x 2)
G	Rondelle pour roue (x 2)

REMARQUE : en raison du développement continu du produit, des pièces peuvent faire l'objet de modifications sans préavis.

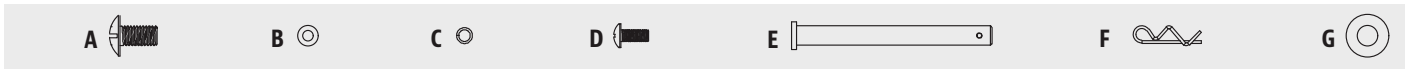
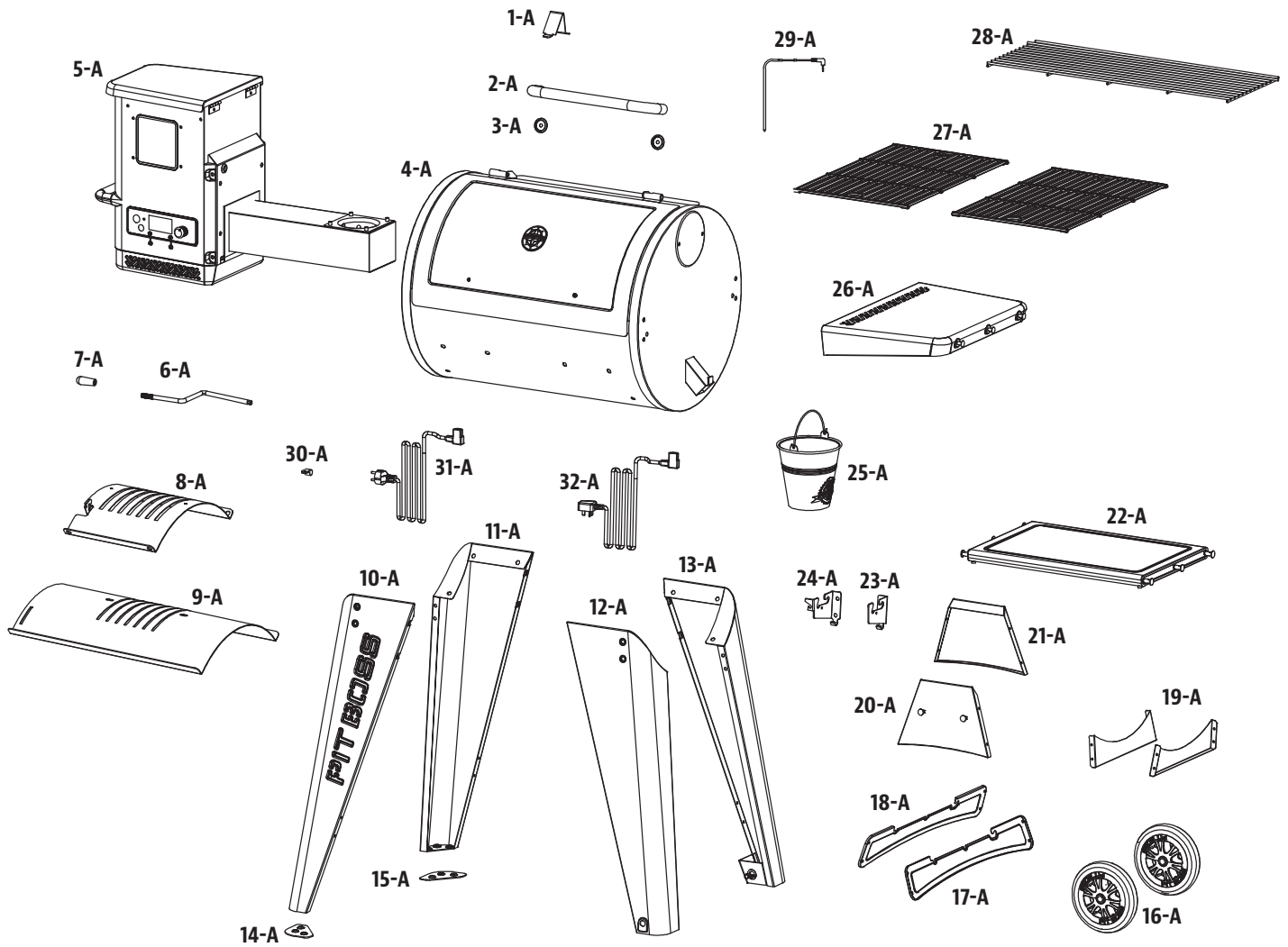
Illustration à la page suivante.

MODÈLE	APPAREIL MONTÉ (L x H x P)	POIDS DE L'APPAREIL	ZONE DE CUISSON	PLAGE DE TEMPÉRATURE	FONCTIONS NUMÉRIQUES
PB PB700G	1388mm x 1195mm x 940mm / 54,6 po x 47 po x 37 po	66,5 kg / 146,61 lb	Principale - 3109 cm <sup>2</sup> / 482 po <sup>2</sup> Grille supérieure - 1341 cm <sup>2</sup> / 208 po <sup>2</sup> <b>TOTAL - 4450 cm<sup>2</sup> / 690 po<sup>2</sup></b>	82 à 260 °C/ 180 à 500 °F	Dix pré-réglages de température, cycles de démarrage et de refroidissement, allumeur électrique

# PIÈCES DE RECHANGE DU GRIL PB700G

FR

FRANÇAIS



# PIÈCES DE RECHANGE DU GRIL PB850G

N°	Description
1-A	Butoir pour couvercle (x 1)
2-A	Poignée pour couvercle (x 1)
3-A	Bague de la poignée pour couvercle (x 2)
4-A	Corps principal (x 1)
5-A	Assemblage de la trémie (x 1)
6-A	Barre de réglage du grilloir à flamme (x 1)
7-A	Poignée de la barre de réglage du grilloir à flamme (x 1)
8-A	Plaque coulissante du diffuseur de chaleur (x 1)
9-A	Plaque principale du diffuseur de chaleur (x 1)
10-A	Pied avant gauche (x 1)
11-A	Pied arrière gauche (x 1)
12-A	Pied avant droit (x 1)
13-A	Pied arrière droit (x 1)
14-A	Pièce de garniture pour pied avant gauche (x 1)
15-A	Pièce de garniture pour pied arrière gauche (x 1)
16-A	Roue pivotante avec frein (x 2)
17-A	Roue (x 2)
18-A	Plaque de maintien inférieure droite (x 1)
19-A	Plaque de maintien inférieure gauche (x 1)
20-A	Plaque de maintien courte (x 2)
21-A	Plaque de maintien longue avant (x 1)

N°	Description
22-A	Plaque de maintien longue arrière (x 1)
23-A	Étagère avant (x 1)
24-A	Support pour étagère avant droit (x 1)
25-A	Support pour étagère avant gauche (x 1)
26-A	Seau à graisse (x 1)
27-A	Plateau latéral droit (x 1)
28-A	Grille de cuisson A (x 1)
29-A	Grille de cuisson B (x 2)
30-A	Support chauffant (x 1)
31-A	Sonde de cuisson (x 1)
32-A	Clip du cordon d'alimentation (x1)
33-A	Cordon d'alimentation - fiche F (x1)
34-A	Cordon d'alimentation - fiche G (x1)
A	Vis (x 18)
B	Rondelle (x 18)
C	Rondelle de blocage (x 18)
D	Vis (x 30)
E	Goupille cannelée pour roue (x 4)
F	Goupille bêta pour roue (x 2)
G	Rondelle pour roue (x 2)
H	Rondelle pour roue (x2)

REMARQUE : en raison du développement continu du produit, des pièces peuvent faire l'objet de modifications sans préavis.

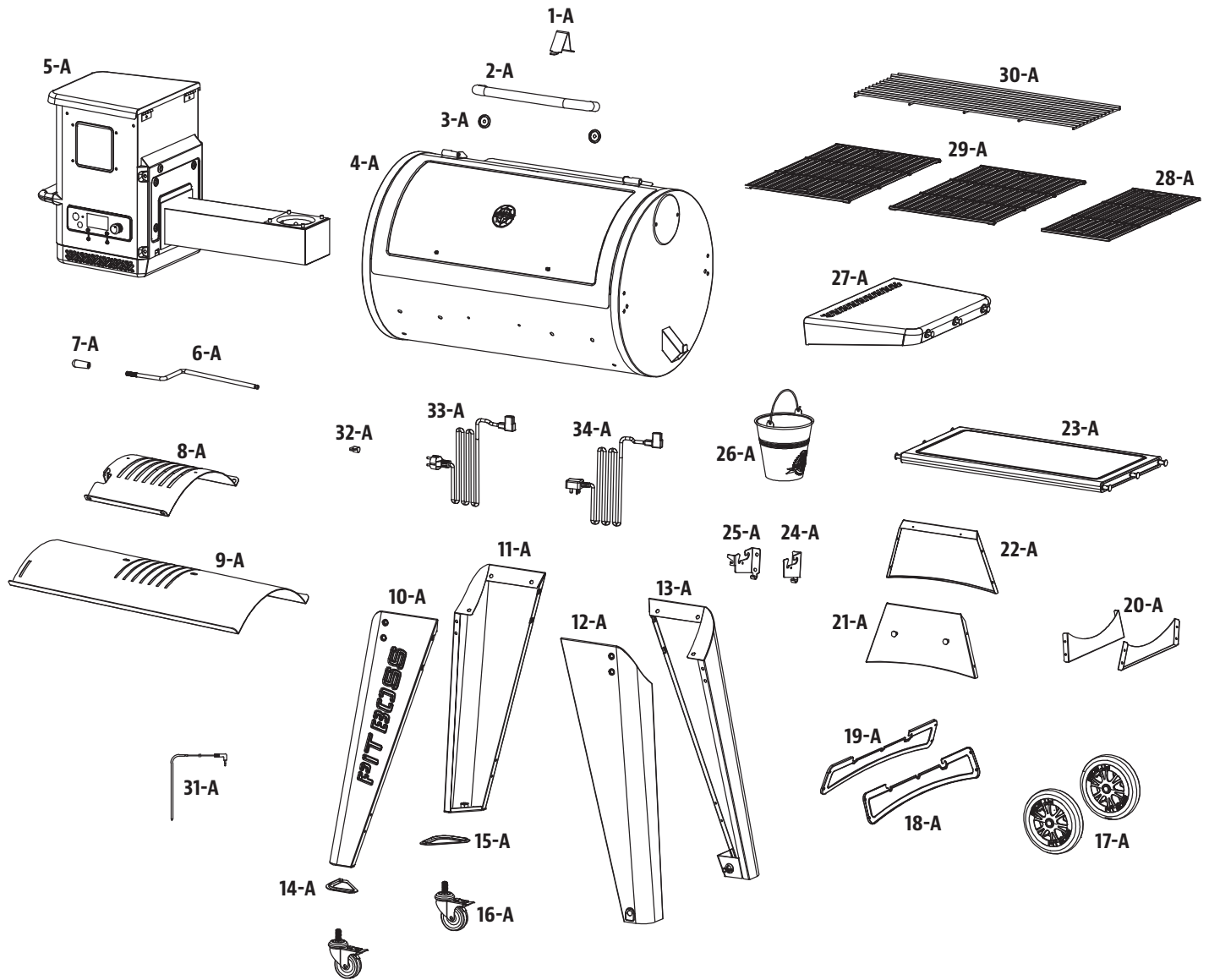
Illustration à la page suivante.

MODÈLE	APPAREIL MONTÉ (L x H x P)	POIDS DE L'APPAREIL	ZONE DE CUISSON	PLAGE DE TEMPÉRATURE	FONCTIONS NUMÉRIQUES
PB PB850G	1472 mm x 1195 mm x 940 mm / 57,9 po x 47 po x 37 po	74,5kg / 164,24 lb	Principale - 3 825,8 cm <sup>2</sup> / 593 po <sup>2</sup> Grille supérieure - 1 845,2 cm <sup>2</sup> / 286 po <sup>2</sup> <b>TOTAL - 5 671 cm<sup>2</sup> / 879 po<sup>2</sup></b>	82 à 260 °C / 180 à 500 °F	Dix pré-réglages de température, cycles de démarrage et de refroidissement, allumeur électrique

# PIÈCES DE RECHANGE DU GRIL PB850G

FR

FRANÇAIS





# PIÈCES DE RECHANGE DU GRIL PB1150G

N°	Description
1-A	Butoir pour couvercle (x 1)
2-A	Poignée pour couvercle (x 1)
3-A	Bague de la poignée pour couvercle (x 2)
4-A	Corps principal (x 1)
5-A	Assemblage de la trémie (x 1)
6-A	Barre de réglage du grilloir à flamme (x 1)
7-A	Poignée de la barre de réglage du grilloir à flamme (x 1)
8-A	Plaque coulissante du diffuseur de chaleur (x 1)
9-A	Plaque principale du diffuseur de chaleur (x 1)
10-A	Pied avant gauche (x 1)
11-A	Pied arrière gauche (x 1)
12-A	Pied avant droit (x 1)
13-A	Pied arrière droit (x 1)
14-A	Pièce de garniture pour pied avant gauche (x 1)
15-A	Pièce de garniture pour pied arrière gauche (x 1)
16-A	Roue pivotante avec frein (x 2)
17-A	Roue (x 2)
18-A	Plaque de maintien inférieure droite (x 1)
19-A	Plaque de maintien inférieure gauche (x 1)
20-A	Plaque de maintien courte (x 2)
21-A	Plaque de maintien longue avant (x 1)
22-A	Plaque de maintien longue arrière (x 1)

N°	Description
23-A	Étagère avant (x 1)
24-A	Plaque de diffusion (x 1)
25-A	Support pour étagère avant droit (x 1)
26-A	Support pour étagère avant gauche (x 1)
27-A	Seau à graisse (x 1)
28-A	Plateau latéral droit (x 1)
29-A	Grille de cuisson A (x 1)
30-A	Grille de cuisson B (x 2)
31-A	Support chauffant (x 1)
32-A	Sonde de cuisson (x 2)
33-A	Clip du cordon d'alimentation (x1)
34-A	Cordon d'alimentation - fiche F (x1)
35-A	Cordon d'alimentation - fiche G (x1)
A	Vis (x 18)
B	Rondelle (x 18)
C	Rondelle de blocage (x 18)
D	Vis (x 30)
E	Vis (x 6)
F	Goupille cannelée pour roue (x 2)
G	Goupille bêta pour roue (x 2)
H	Rondelle pour roue (x 2)

REMARQUE : en raison du développement continu du produit, des pièces peuvent faire l'objet de modifications sans préavis.

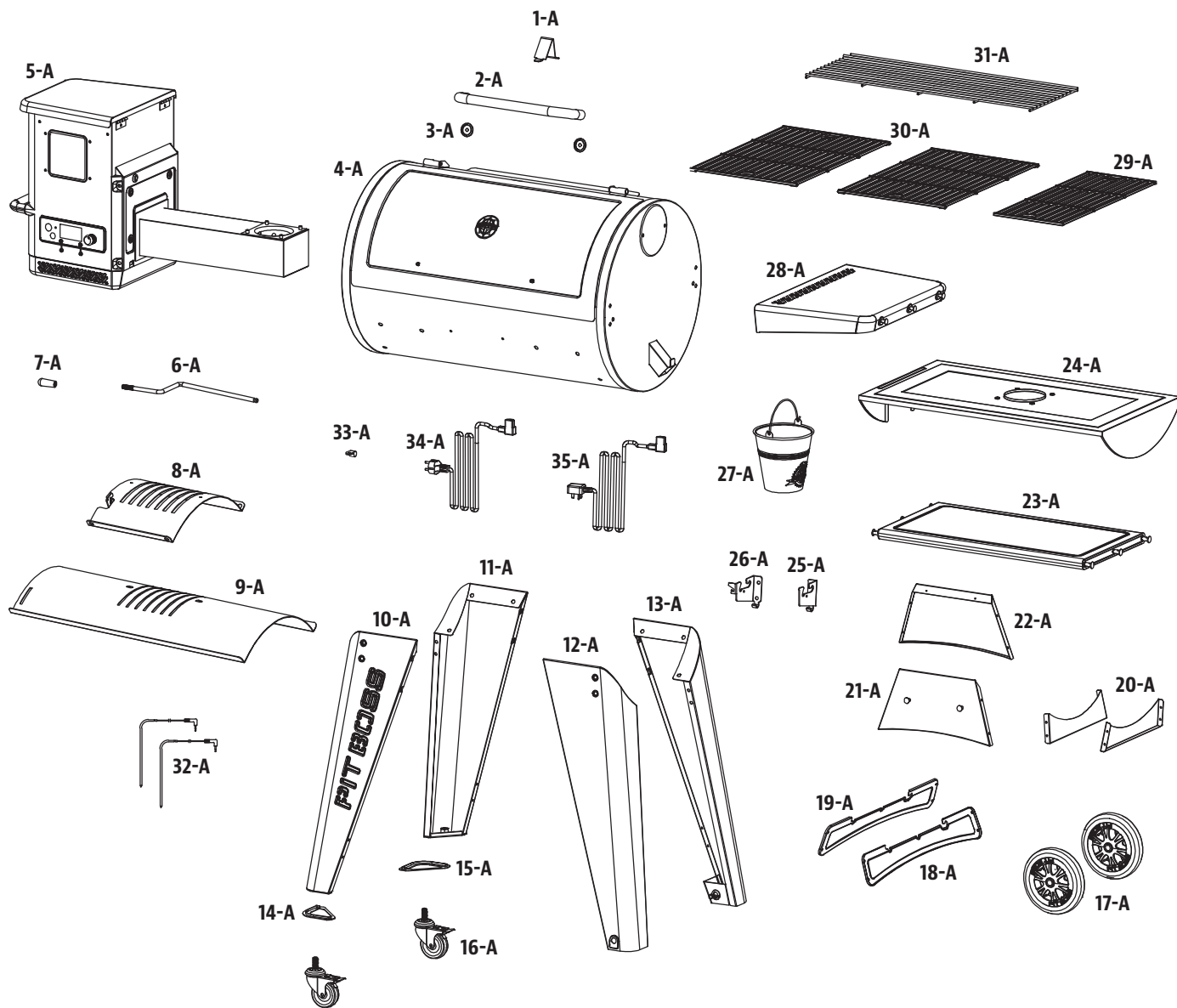
Illustration à la page suivante.

MODÈLE	APPAREIL MONTÉ (L x H x P)	POIDS DE L'APPAREIL	ZONE DE CUISSON	PLAGE DE TEMPÉRATURE	FONCTIONS NUMÉRIQUES
PB PB1150G	1 622mm x 1 195mm x 940mm / 63,86" x 47" x 37"	84 kg / 185,19 lb	Principale - 4 587,1 cm <sup>2</sup> / 711 po <sup>2</sup> Grille supérieure - 2 883,9 cm <sup>2</sup> / 447 po <sup>2</sup> <b>TOTAL - 7 471 cm<sup>2</sup> / 1 158 po<sup>2</sup></b>	82 à 260 °C/ 180 à 500 °F	Dix pré-réglages de température, cycles de démarrage et de refroidissement, allumeur électrique

# PIÈCES DE RECHANGE DU GRIL PB1150G

FR

FRANÇAIS

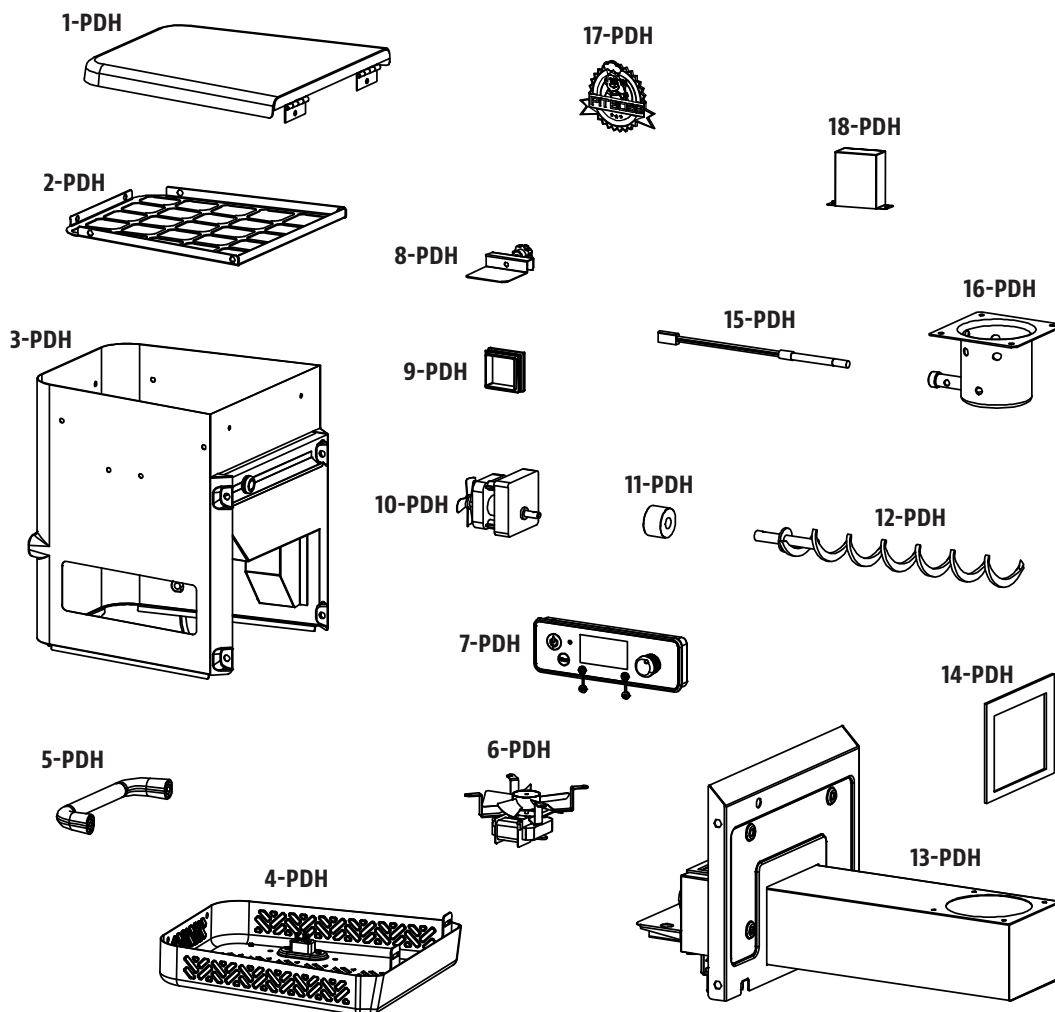


# PIÈCES DE RECHANGE DE LA TRÉMIE PB550G

N°	Description
1-PDH	Couvercle de la trémie (x1)
2-PDH	Écran de sécurité de la trémie (x1)
3-PDH	Boîtier de la trémie (x1)
4-PDH	Panneau d'accès de la trémie (x1)
5-PDH	Poignée de la trémie (x1)
6-PDH	Ventilateur de combustion (x1)
7-PDH	Panneau de contrôle Pit Boss® (x1)
8-PDH	Plaque de la boîte de dépôt (x1)
9-PDH	Couvercle de la boîte de dépôt (x1)

N°	Description
10-PDH	Moteur de la vis sans fin (x1)
11-PDH	Bague en nylon (x1)
12-PDH	Assemblage de la vis sans fin (x1)
13-PDH	Boîtier de la vis sans fin (x1)
14-PDH	Joint du boîtier de la trémie (x1)
15-PDH	Allumeur (x1)
16-PDH	Pot de combustion (x1)
17-PDH	Plaque d'identification (x1)
18-PDH	Couvercle étanche du cordon d'alimentation (x1)

REMARQUE : en raison du développement continu du produit, des pièces peuvent faire l'objet de modifications sans préavis.



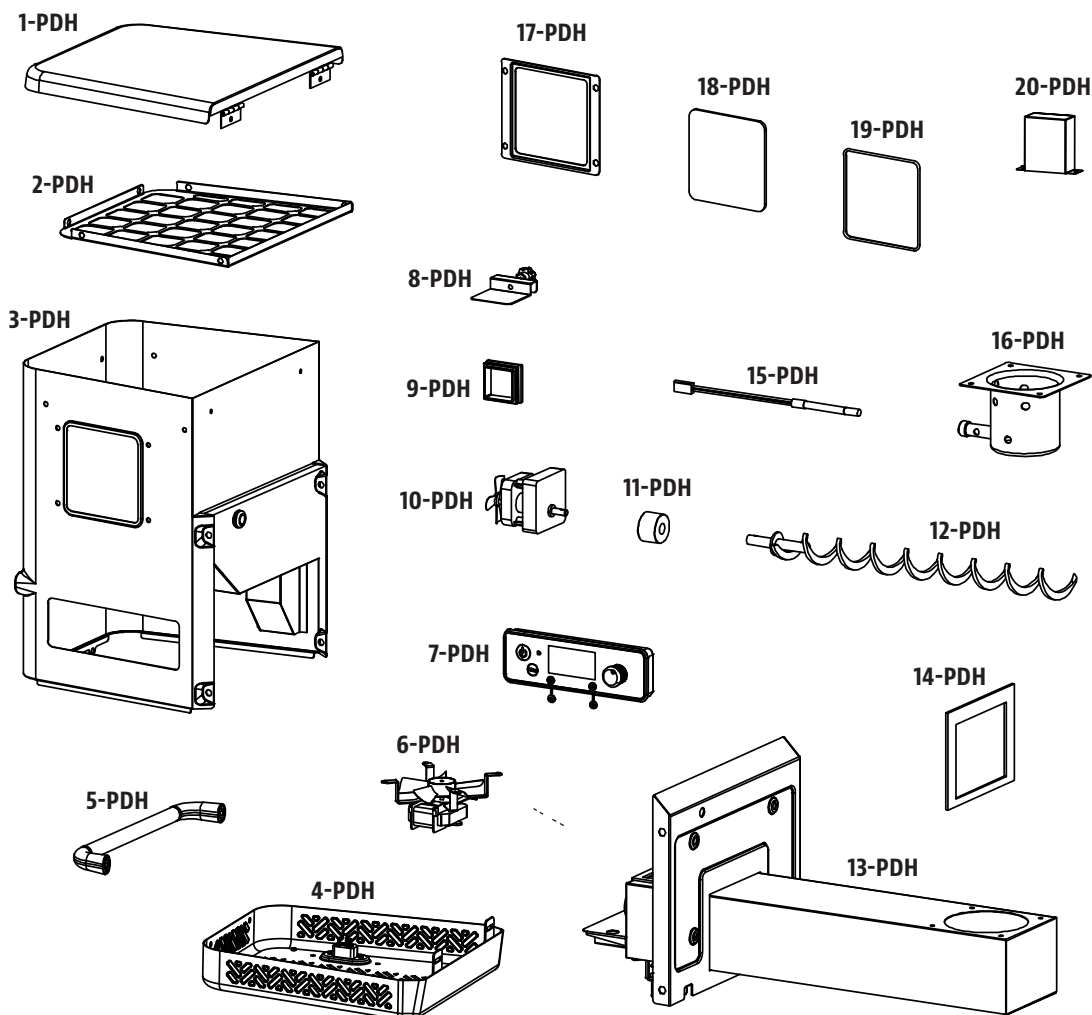
# PIÈCES DE RECHANGE DES TRÉMIES PB700G / PB850G / PB1150G

FR  
FRANÇAIS

N°	Description
1-PDH	Couvercle de la trémie (x1)
2-PDH	Écran de sécurité de la trémie (x1)
3-PDH	Boîtier de la trémie (x1)
4-PDH	Panneau d'accès de la trémie (x1)
5-PDH	Poignée de la trémie (x1)
6-PDH	Ventilateur de combustion (x1)
7-PDH	Panneau de contrôle Pit Boss® (x1)
8-PDH	Plaque de la boîte de dépôt (x1)
9-PDH	Couvercle de la boîte de dépôt (x1)
10-PDH	Moteur de la vis sans fin (x1)

N°	Description
11-PDH	Bague en nylon (x1)
12-PDH	Assemblage de la vis sans fin (x1)
13-PDH	Boîtier de la vis sans fin (x1)
14-PDH	Joint du boîtier de la trémie (x1)
15-PDH	Allumeur (x1)
16-PDH	Pot de combustion (x1)
17-PDH	Plaque en verre (x1)
18-PDH	Verre (x1)
19-PDH	Joint en caoutchouc (x1)
20-PDH	Couvercle étanche du cordon d'alimentation (x1)

REMARQUE : en raison du développement continu du produit, des pièces peuvent faire l'objet de modifications sans préavis.



# GARANTIE

## CONDITIONS

Tous les grils à granulés de bois de Pit Boss, fabriqués par Dansons Inc., s'accompagnent d'une garantie limitée à compter de la date de vente au propriétaire d'origine. La couverture de garantie débute à la date d'achat d'origine et une preuve de la date d'achat, ou une copie de l'acte de vente d'origine, est nécessaire pour faire entrer la garantie en vigueur. Les clients devront payer des frais relatifs aux pièces, à l'envoi et au traitement s'ils ne sont pas en mesure de fournir une preuve d'achat ou après expiration de la garantie.

Dansons offre une garantie de cinq (5) ans sur les défauts et la confection de toutes les pièces et une garantie de cinq (5) ans sur les composants électriques. Dansons garantit que toutes les pièces sont exemptes de défauts de matériaux et de fabrication, pour la durée d'utilisation et de possession de l'acheteur d'origine. La garantie ne couvre pas les dégâts d'usure, tels que les éraflures, les entailles, les cabossages, les éclats ou les fissures cosmétiques mineures. Ces modifications esthétiques du gril n'impactent pas ses performances. La réparation ou le remplacement d'une pièce ne prolonge pas la garantie limitée au-delà des cinq (5) ans suivant la date d'achat.

Durant la période de la garantie, l'obligation de Dansons est limitée à la fourniture de pièces de rechange en cas de composants défectueux. Tant que cela se produit pendant la période de la garantie, Dansons ne vous facturera pas la réparation ou le remplacement des pièces retournées, fret payé d'avance, si Dansons détermine que ces pièces se révèlent défectueuses après inspection. Dansons ne sera pas tenu responsable des frais de transport, du prix de la main-d'œuvre ou des droits de sortie. Sauf disposition contraire dans ces conditions de garantie, la réparation ou le remplacement des pièces de la façon et pour la durée fixée ci-dessous, constituera l'accomplissement de toutes les responsabilités et obligations directes et dérivées de Dansons Inc. envers vous.

Dansons Inc. prend soin d'utiliser des matériaux retardant la formation de rouille. Même avec ces garanties, le revêtement protecteur peut être compromis par diverses substances et conditions qui échappent au contrôle de Dansons. Les fortes températures, l'humidité excessive, le chlore, les gaz industriels, les engrais, les pesticides utilisés pour les pelouses et le sel sont quelques-unes des substances pouvant affecter les revêtements métalliques. C'est pourquoi les garanties limitées ne couvrent pas la rouille ni l'oxydation, à moins que le composant du gril présente une perte d'intégrité structurelle. Si les scénarios décrits ci-dessus venaient à se produire, veuillez vous référer à la section Entretien et maintenance pour prolonger la durée de vie de votre appareil. Dansons recommande l'utilisation d'une housse de gril lorsque ce dernier n'est pas utilisé.

Cette garantie s'applique à un usage domestique et à utilisation normale du gril et aucune des garanties limitées ne s'applique à un gril utilisé pour des applications commerciales.

## EXCEPTIONS

Il n'existe pas de garantie de performance écrite ou implicite concernant les grils Pit Boss car le fabricant ne contrôle pas l'installation, le fonctionnement, le nettoyage, l'entretien ou le type de combustible brûlé. Cette garantie ne s'appliquera pas, et Dansons n'assumera aucune responsabilité, si votre appareil n'a pas été installé, utilisé, nettoyé et entretenu conformément à ce mode d'emploi. L'utilisation d'un gaz non évoqué dans ce document pourrait annuler la garantie. La garantie ne couvre pas les dommages ou casses causés par une mauvaise utilisation, une mauvaise manipulation ou des modifications.

Dansons et les revendeurs agréés de Pit Boss déclinent toute responsabilité, légale ou autre, quant aux dommages accidentels ou consécutifs à la propriété ou aux personnes résultant de l'utilisation de ce produit. Si une plainte est déposée contre Dansons, basée sur la violation de cette garantie ou de tout autre type de garantie explicite ou implicite en vertu d'une loi, le fabricant ne sera en aucun cas tenu responsable des dommages particuliers, directs, indirects et consécutifs ou de tout autre dommage, quel qu'il soit, qui dépasserait le prix d'achat d'origine du produit. Toutes les garanties du fabricant sont énoncées dans les présentes et aucune plainte ne peut être déposée contre le fabricant par le biais d'une garantie ou d'une représentation.

Certains états n'autorisent pas l'exclusion ou la limitation des dommages ou garanties accessoires ou consécutifs, ni la limitation de garanties tacites, de sorte que certaines des limitations ou exclusions exposées dans les présentes peuvent ne pas s'appliquer à vous. Cette garantie limitée vous donne des droits juridiques spécifiques, et d'autres droits qui varient d'un État à l'autre.

## COMMANDER DES PIÈCES DE RECHANGE

Pour commander des pièces de rechange, veuillez contacter votre revendeur local ou consulter notre boutique en ligne à l'adresse suivante : [www.pitboss-grills.com](http://www.pitboss-grills.com)

## CONTACTER LE SERVICE CLIENTS

Si vous avez la moindre question ou si vous rencontrez des problèmes, contactez le service clients, du lundi au dimanche, de 4 h à 20 h PST (EN/FR/ES).

[service@pitboss-grills.com](mailto:service@pitboss-grills.com) | Numéro gratuit : 1-877-303-3134 | Fax gratuit : 1-877-303-3135

## SERVICE DE LA GARANTIE

Contactez le revendeur de Pit Boss le plus proche de chez vous si vous avez besoin d'une réparation ou de pièces de rechange. Dansons Inc. exige une preuve d'achat afin d'établir une réclamation sous garantie. Ainsi, conservez votre reçu ou votre facture d'origine pour vous y référer ultérieurement. Le numéro de série et de modèle de votre appareil Pit Boss se trouve au dos de la trémie. Les numéros d'enregistrement ci-dessous ainsi que l'étiquette peuvent s'user ou devenir illisibles.

---

MODÈLE

---

NUMÉRO DE SÉRIE

---

DATE D'ACHAT

---

REVENDEUR AGRÉÉ

# INFORMACIÓN DE SEGURIDAD

**LAS PRINCIPALES CAUSAS DE INCENDIO DE APARATOS SON FRUTO DE UN MANTENIMIENTO DEFICIENTE Y DE QUE NO SE MANTENGA EL ESPACIO SUFICIENTE ENTRE EL APARATO Y LOS MATERIALES COMBUSTIBLES. ES DE SUMA IMPORTANCIA QUE ESTE PRODUCTO SE USE EXCLUSIVAMENTE DE ACUERDO CON LAS INSTRUCCIONES SIGUIENTES.**

Lea y entienda todo el manual antes de intentar montar, manejar o instalar el producto. Esto le garantizará un disfrute completo y un funcionamiento sin problemas de su nueva barbacoa de pélets de madera. También le recomendamos que conserve este manual para futuras consultas.

## PELIGROS Y ADVERTENCIAS

**Debe ponerse en contacto con los encargados locales de su vivienda, edificio o de los bomberos, o autoridad competente, para obtener los permisos necesarios, misión o información sobre cualquier restricción de la instalación, como los de cualquier barbacoa que se instale en una superficie combustible, requisitos de inspección o incluso la capacidad de uso, de su zona.**

1. Debe mantenerse una distancia mínima de 914 mm (36 pulgadas) entre los recipientes de combustible y los lados de la barbacoa, y de 914 mm (36 pulgadas) entre la parte posterior de la barbacoa y los recipientes de combustible. **No instale el aparato en suelos combustibles o en suelos protegidos con superficies combustibles a menos que se obtengan los permisos y autorizaciones correspondientes de las autoridades competentes.** No use este aparato dentro o en áreas cerradas y no ventiladas. Este aparato de pélets de madera no debe colocarse debajo de techos o voladizos combustibles. Mantenga la barbacoa en un área libre de materiales combustibles, gasolina y otros vapores y líquidos inflamables.

**Si la grasa prende fuego, APAGUE la barbacoa y deje cerrada la tapa hasta que se extinga el fuego. Desconecte el cable de alimentación de la toma conectada. No arroje agua sobre la unidad. No intente sofocar el fuego. Conviene tener a mano un extinguidor de incendios multiusos (clase ABC). Si se produce un incendio no controlado, llame a los Bomberos.**

2. Mantenga los cables de alimentación eléctrica y el combustible lejos de las superficies calientes. No use la barbacoa en condiciones de lluvia o cerca de fuentes de agua.
3. Tras un período de almacenamiento, o de no uso, compruebe si hay alguna obstrucción en la rejilla del quemador, objetos extraños en la tolva y cualquier bloqueo de aire alrededor de la entrada del ventilador, chimenea u orificios de extracción del tambor posterior. Limpie antes de usar. Se requiere un cuidado y mantenimiento periódico para prolongar la vida útil de la unidad. **Si la barbacoa se guarda en el exterior durante la temporada de lluvias o de gran humedad, debe tomar precauciones para asegurar que no entre agua en la tolva.** Si se mojan o exponen a una gran humedad, los pélets de madera se hincharán y descompondrán, pudiendo llegar a atascar el sistema de alimentación. Desconecte siempre la fuente de alimentación antes de realizar cualquier servicio o mantenimiento.

**No transporte la barbacoa mientras esté en uso o caliente. Antes de mover la barbacoa, asegúrese de que esté fría al tacto y el fuego se haya extinguido por completo.**

4. Se recomienda usar guantes para barbacoa resistentes al calor cuando manipule la barbacoa. No use accesorios que no estén indicados de manera específica para este aparato. No coloque una tapa de barbacoa ni nada que sea inflamable en el espacio de almacenamiento debajo de la barbacoa.
5. Para evitar que los dedos, la ropa u otros objetos entren en contacto con el alimentador de espiral, el aparato está equipado con una pantalla metálica de seguridad, montada en el interior de la tolva. Esta pantalla no debe retirarse a menos que así lo indique el departamento de Atención al cliente o un distribuidor autorizado.

**Este aparato no está recomendado para menores, personas con capacidades físicas, sensoriales o mentales limitadas, o que carezcan de experiencia o conocimientos, a menos que estén bajo la supervisión o instrucción directa de una persona responsable de su seguridad.**

6. Algunas partes de la barbacoa pueden estar muy calientes y producir lesiones graves. Mantenga alejados a los niños pequeños y a las mascotas mientras se usa.
7. No agrande los orificios del sistema de ignición o los fosos del quemador. El incumplimiento de esta advertencia puede dar lugar a peligro de incendio y lesiones corporales, y anulará la garantía.
8. El producto puede presentar bordes afilados o puntas. El contacto puede producir lesiones. Manipule con cuidado.

## ELIMINACIÓN DE LAS CENIZAS

Las cenizas se deben colocar en un contenedor metálico con tapa hermética. El contenedor de cenizas cerrado debe colocarse en una superficie no combustible o en el suelo, alejado de todos los materiales combustibles, hasta su eliminación definitiva. Cuando las cenizas se eliminen enterrándolas o bien dispersándolas de forma local, deben conservarse en un contenedor cerrado hasta que todas las cenizas se hayan enfriado por completo.

## COMBUSTIBLE DE PÉLETS DE MADERA

Este aparato de cocina de pélets está diseñado y aprobado solo para combustibles de pélets de madera completamente naturales. Cualquier otro tipo de combustible que se use en este aparato anulará la garantía y los anuncios de seguridad. Debe usar únicamente pélets de madera completamente naturales, diseñados para parrillas de barbacoas con pélets. No use combustible con aditivos. Los pélets de madera son muy susceptibles a la humedad y deben guardarse siempre en un contenedor hermético. Si guarda la barbacoa, sin usarla, durante un período prolongado, le recomendamos retirar todos los pélets de la tolva y del alimentador de espiral de la barbacoa para prevenir bloqueos.

**No use alcohol, petróleo, gasolina, líquido inflamable o queroseno para encender o reavivar un fuego en la barbacoa. Mantenga ese tipo de líquidos alejados del aparato cuando lo esté usando.**

A la fecha de impresión, no hay normas del sector para los pélets de madera para barbacoas, si bien casi todos los fabricantes de pélets usan las mismas normas para la fabricación de pélets de madera de uso doméstico. Encontrará más información en [www.pelletheat.org](http://www.pelletheat.org) o en el *Pellet Fuel Institute*.

Póngase en contacto con su distribuidor local para consultar la calidad de los pélets de su zona y obtener información sobre la calidad de las marcas. Como no existe ningún control que regule la calidad de los pélets utilizados, no nos responsabilizamos de los daños ocasionados por la mala calidad del combustible.

## CREOSOTA

La creosota, u hollín, es una sustancia similar al alquitrán. Al quemarse produce un humo negro con un residuo también de color negro. El hollín o la creosota se forma cuando el aparato se usa de forma incorrecta, como por ejemplo: bloqueo del ventilador de combustión, no se limpia y mantiene el área del quemador, la humedad afecta a los pélets o la combustión aire/combustible es deficiente.

Es peligroso manipular este aparato si las llamas se oscurecen, despiden hollín o si el foso del quemador contiene demasiados pélets. Cuando se enciende, esta creosota produce un fuego muy caliente y descontrolado, similar al fuego por grasa. Si esto ocurre, APAGUE la unidad, déjela enfriar por completo e inspeccione para su mantenimiento y limpieza. Normalmente se acumula a lo largo de las áreas de extracción.

Si se ha formado creosota dentro de la unidad, caliente la unidad a baja temperatura, apague el aparato y a continuación limpie cualquier formación con un paño. Al igual que el alquitrán, su limpieza resulta mucho más fácil en caliente ya que se vuelve líquida.

## MONÓXIDO DE CARBONO (“EL ASESINO SILENCIOSO”)

El monóxido de carbono es un gas incoloro, inodoro, insípido que se produce al quemar gas, madera, propano, carbón u otro combustible. El monóxido de carbono reduce la capacidad de la sangre de transportar oxígeno. Un bajo nivel de oxígeno en sangre puede producir dolor de cabeza, mareos, náuseas, vómitos, somnolencia, confusión, pérdida de conocimiento o muerte. Siga estas pautas para impedir que usted,



su familia u otras personas resulten intoxicadas por este gas incoloro e inodoro:

- Consulte un miedico si usted u otras personas experimentan síntomas parecidos a los de un catarro o gripe mientras cocina o se encuentra cerca del aparato. La intoxicación por monóxido de carbono, que puede confundirse fácilmente con un catarro o la gripe, frecuentemente se detecta demasiado tarde.
- El consumo de alcohol y el uso de fármacos incrementa los efectos de la intoxicación por monóxido de carbono.

El monóxido de carbono resulta especialmente tóxico para la madre y su hijo/a durante el embarazo, bebés pequeños, personas mayores, fumadores y personas con problemas del sistema sanguíneo o circulatorio, como anemia o enfermedad cardíaca.

## ANUNCIOS DE SEGURIDAD

Cumple las disposiciones de EN 60335-2-102:2016, EN 60335-1:2012 + A11:2014 + A13:2017 + A1: 2021 + A14: 2021 + A2: 2021, EN62233: 2008, EN 55014-1:2017, EN 61000-3-2:2014, EN 61000-3-3:2013, EN 55014-2:2015.



ES

ESPAÑOL



### AVISO DE COPYRIGHT

Copyright 2021. Todos los derechos reservados. Ninguna parte de este manual podrá copiarse, transmitirse, transcribirse, almacenarse en un sistema de recuperación, de ninguna forma ni por cualquier medio sin la autorización expresa por escrito de,

#### **Dansons**

3411 North 5th Avenue, Suite 500, Phoenix, AZ, USA 85013  
sales@pitboss-grills.com | service@pitboss-grills.com  
**www.pitboss-grills.com**

#### **Atención al cliente**

Lunes a domingo, de 4 a 20 h PST (EN/FR/ES)

**Llamada gratuita: 1-877-303-3134, Fax: 1-877-303-3135**

# TABLA DE CONTENIDO

Información de seguridad.....	55	Piezas de repuesto	
Instrucciones de funcionamiento		Piezas de repuesto de la barbacoa PB550G.....	70
Entorno de la barbacoa.....	59	Piezas de repuesto de la barbacoa PB700G .....	72
Intervalos de temperatura de la barbacoa.....	60	Piezas de repuesto de la barbacoa PB850G .....	74
Descripción del tablero de control.....	60	Piezas de repuesto de la barbacoa PB1150G.....	76
Descripción de las sondas .....	61	Piezas de repuesto de la tolva PB550G .....	78
Descripción del ajuste "P" .....	62	Piezas de repuesto de la tolva	
Procedimiento de cebado de la tolva.....	62	PB700G / PB850G / PB1150G.....	79
Primer uso - quemar la parrilla .....	62	Garantía	
Procedimiento de arranque automático.....	63	Condiciones.....	80
Procedimiento de arranque manual .....	63	Excepciones .....	80
Apagar la barbacoa .....	63	Pedido de piezas de repuesto .....	81
Cuidado y mantenimiento .....	64	Póngase en contacto con atención al cliente .....	81
Consejos y técnicas.....	66	Servicio de garantía.....	81
Resolución de problemas .....	67		
Diagrama de cableado eléctrico .....	69		

ES

ESPAÑOL

# INSTRUCCIONES DE FUNCIONAMIENTO

*Siguiendo el estilo de vida actual, nos esforzamos por comer alimentos saludables y nutritivos, y un factor para tener en cuenta es la importancia de reducir el consumo de grasas. Una de las mejores maneras de reducir el consumo de grasa es usar un método de cocción con poca grasa, como asar. Dado que una barbacoa de pélets usa pélets de madera natural, la carne coge un sabor salado amaderado y así se reduce la necesidad de añadir condimentos con alto contenido de azúcar. En este manual, observará que se hace hincapié en asar los alimentos lentamente con los ajustes de temperatura BAJA o MEDIA.*

## ENTORNO DE LA BARBACOA

### 1. DÓNDE INSTALAR LA BARBACOA

Como en todos los aparatos de uso exterior, las condiciones meteorológicas juegan un papel importante en el funcionamiento de la barbacoa y el tiempo de cocción necesario para que las comidas salgan perfectas.

Todas las unidades Pit Boss® deben guardar una distancia mínima de 914 mm (36 pulgadas) con los recipientes de combustible y esta distancia debe mantenerse mientras la barbacoa esté en uso. Este aparato no debe colocarse debajo de un techo o voladizo combustible. Mantenga la barbacoa en un área sin materiales combustibles, gasolina y otros vapores y líquidos inflamables.

### 2. COCINAR CUANDO HACE FRÍO

Aunque fuera haga cada vez más frío, ¡esto no supone el fin de la temporada de barbacoas! El aire frío y el aroma delicioso de los alimentos ahumados ayudan a curar la melancolía invernal.

Siga estas sugerencias para disfrutar de su barbacoa incluso en los meses más fríos:

- si no consigue ahumar a bajas temperaturas, aumente un poco la temperatura para conseguir los mismos resultados.
- Organizar: tenga preparado todo lo necesario en la cocina antes de salir a cocinar fuera. Durante el invierno, traslade la barbacoa a una zona alejada del viento y del frío directo. Compruebe los reglamentos locales sobre la proximidad que debe existir entre la barbacoa y su vivienda u otras estructuras. Coloque todo lo necesario en una bandeja, abríguese y ¡a cocinar!
- Para saber la temperatura que hace fuera, coloque un termómetro para exteriores cerca del área de cocina. Lleve un registro de lo que cocina, la temperatura exterior y el tiempo de cocción. Le servirá de ayuda la próxima vez que tenga que decidir qué cocinar y cuánto tardará.
- A muy bajas temperaturas, incremente en 20 minutos, como mínimo, el tiempo de precalentamiento.
- Evite levantar la tapa más de lo necesario. Las ráfagas de aire frío pueden enfriar por completo la temperatura de la barbacoa. Sea flexible con la hora de servir la comida; añada tiempo de cocción cada vez que abra la tapa.
- Caliente una fuente o tapa para mantener la temperatura de la comida hasta que vuelva al interior de la casa.
- Los alimentos perfectos para cocinar en invierno son aquellos que apenas requieren atención, como asados, pollos enteros, costillas y pavo. Facilite aún más la preparación de sus platos añadiendo guarniciones sencillas como verduras y patatas.

### 3. COCINAR CUANDO HACE CALOR

Cuando empieza a hacer calor, se acorta el tiempo de cocción.

Siga estas pocas sugerencias para disfrutar de su barbacoa incluso en los meses más calurosos:

- Reduzca las temperaturas de cocción. Le ayudará a evitar llamaradas imprevistas.
- Use un termómetro para carnes para conocer la temperatura interna de los alimentos. Le ayudará a prevenir que la carne se cocine demasiado y se seque.
- Incluso cuando hace calor, es mejor cocinar con la tapa de la barbacoa cerrada.
- Para mantener calientes los alimentos, envuélvalos en papel de aluminio y colóquelos en una nevera tipo camping aislada. Rellene los huecos alrededor del papel aluminio con papel de periódico y la comida se mantendrá caliente de 3 a 4 horas.

## RANGOS DE TEMPERATURA DE LA BARBACOA

La temperatura que se lee en el tablero de control puede no coincidir exactamente con el termómetro. Todas las temperaturas que figuran a continuación son aproximadas y les afectan los factores siguientes: temperatura ambiente exterior, cantidad y dirección del viento, calidad del combustible de pélets utilizado, que se abra o no la tapa y cantidad de alimentos que se cocinan.

- **TEMPERATURA ALTA (205-260 °C/401-500 °F)**

Este rango es el mejor para dorar y asar a fuego fuerte. Úselo conjuntamente con el asador de fuego (placa deslizante) para cocinar con llama indirecta o directa. Con el **asador de fuego abierto**, la llama directa se usa para crear esos chuletones "azules", así como verduras asadas, tostadas de ajo o el postre americano "s'more"! Cuando el **asador de fuego está cerrado**, el aire circula dentro del tambor y genera calor por convección. La temperatura alta también se usa para precalentar la barbacoa, quemar las rejillas para cocinar y conseguir fuego alto en condiciones de frío extremo.

- **TEMPERATURA MEDIA (135-180 °C/275-356 °F)**

Este rango es el mejor para hornear, asar y poner el punto final a ese plato ahumado a fuego lento. Cocinar a estas temperaturas reducirá mucho la probabilidad de que la grasa genere llamaradas. Asegúrese de que la guía del asador de fuego esté en posición cerrada, cubriendo las aperturas ranuradas. Un rango perfecto para cocinar alimentos envueltos en béicon o cuando se busca versatilidad con control.

- **TEMPERATURA BAJA (82-125 °C/180-257 °F)**

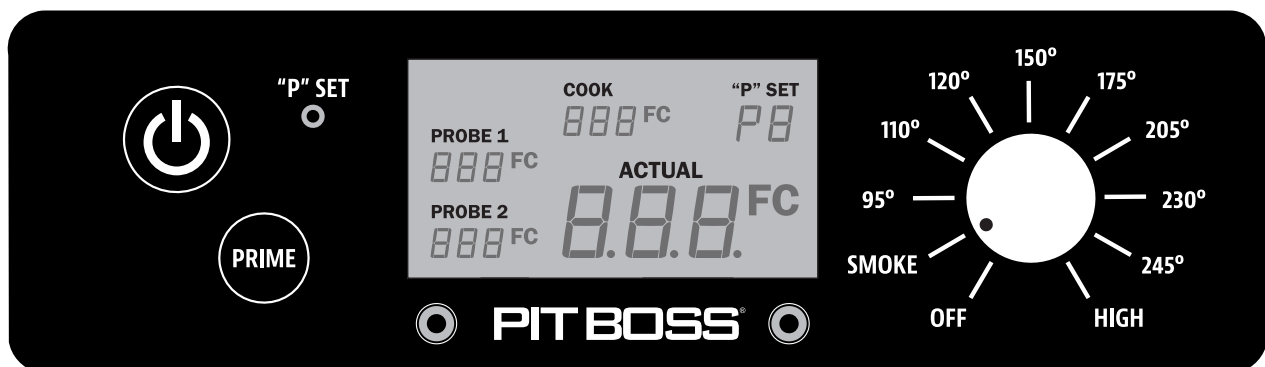
Este rango se usa para asar a fuego lento, potenciar el sabor ahumado y mantener la comida caliente. Potencie el sabor ahumado y haga que la carne resulte más jugosa prolongando el tiempo de cocción a más baja temperatura (también se conoce como **cocción a fuego lento**). Se recomienda para el gran pavo del Día de Acción de Gracias, el jugoso jamón de Pascua o las celebraciones navideñas.








El ahumado es una variación de la auténtica barbacoa y es la principal ventaja de cocinar en una barbacoa de pélets de madera. **El ahumado en caliente**, otro nombre para la cocción **a fuego lento**, por lo general se realiza a temperaturas de 82-125°C/180-257°F. El ahumado en caliente funciona mejor cuando se requiere una cocción más prolongada, como para grandes trozos de carne, pescado o aves.

**CONSEJO: para potenciar ese sabor salado, cambie al rango de (bajas) temperaturas para AHUMAR inmediatamente después de colocar los alimentos en la barbacoa. Así el humo podrá penetrar la carne.**

La clave está en experimentar con el tiempo de ahumado, antes de que los alimentos esté cocinados. Algunos chefs especializados en cocinar al aire libre prefieren ahumar al final de una cocción y así la comida se mantiene caliente hasta el momento de servirla. ¡La práctica hace al maestro!

## COMPRENDER EL TABLERO DE CONTROL



MANDO	DESCRIPCIÓN
	Pulse el <b>botón de Encendido</b> para encender la unidad. El botón brillará de color azul si hay conexión con una fuente de alimentación. Pulse nuevamente el botón para apagar la unidad.
	El <b>Dial de control de temperatura</b> le permite ajustar la temperatura deseada para el ahumado. Una vez conectada la unidad a la fuente de alimentación y pulsado el botón de encendido, gire el dial y seleccione cualquiera de los diez preajustes de temperatura, entre 82-260 °C/180-500 °F. Cuando se fija el dial en un preajuste de temperatura, la pantalla LCD digital se ilumina e indica que la unidad está lista para funcionar. Cuando el dial se fija en apagado, la pantalla LCD digital permanecerá apagada.
"P" SET 	El <b>botón de ajuste "P"</b> se usa para seleccionar uno de los ocho ajustes cuando el Dial de control de temperatura se establece en el ajuste Ahumar. Pulse el botón para cambiar el ajuste "P" y adaptarlo a su estilo y entorno de cocción como prefiera. Con pulsar brevemente el botón, el ajuste aumenta de P0 a P7, y después se repite. La regulación solo se puede realizar en el ajuste Ahumar. El ajuste predeterminado de fábrica es "P4". Si se regula el ajuste "P", su preferencia se fijará (guardará) hasta la próxima vez que la regule.  El <b>botón de ajuste "P"</b> también se usa como <b>Control de cambio de temperatura</b> para cambiar la lectura de la temperatura en la pantalla LCD. Pulse y <u>mantenga</u> pulsado el botón dos segundos para cambiar a Celsius (°C) o Fahrenheit (°F), como prefiera. El ajuste predeterminado es Celsius.
	La <b>pantalla LCD</b> se usa como centro de información de la unidad. La pantalla LCD mostrará la Temperatura de cocción deseada, la Temperatura de cocción real y las Temperaturas de la sonda de carne (si está conectada). Si solo hay una Sonda de carne conectada, solo se mostrará una lectura.
	Pulse y mantenga pulsado el <b>botón de Cebado</b> para activar una carga adicional de pélets a la chimenea. Se puede usar para añadir combustible al fuego antes de abrir la tapa del tambor, lo que da lugar a un rápido tiempo de recuperación del calor. También se puede usar durante el ahumado para potenciar un sabor ahumado limpio. Solicitado de las cocinas de concurso.
SMOKE	El <b>ajuste Ahumar</b> en el Dial de control de temperatura es el modo de arranque de la unidad. La barbacoa funciona a la temperatura mínima, sin apagarse el fuego.
	Los puertos de conexión complementarios en la parte frontal del Tablero de control son para la(s) <b>Sonda(s) de carne</b> . Cuando hay una sonda de carne conectada, la temperatura aparece en la pantalla LCD. Cuando no se use, desconecte la sonda de carne del puerto de conexión. <i>Compatible solamente con sondas de carne de la marca Pit Boss®. La(s) sonda(s) de carne adicionales se venden por separado.</i> 

## COMPRENDER LAS SONDAS

### • SONDA DE TEMPERATURA

La sonda de temperatura está situada en el interior del tambor principal, pared izquierda. Es una pieza pequeña y vertical de acero inoxidable. La sonda de temperatura mide la temperatura interna de la unidad. Cuando se ajusta la temperatura en el Tablero de control, la sonda de temperatura mostrará la temperatura real dentro de la unidad y la ajustará a la temperatura deseada.

**IMPORTANTE: el clima exterior, la calidad de los pélets usados, el sabor de los pélets y la cantidad de alimentos que se estén cocinando afectan mucho la temperatura de la unidad.**

### • SONDA DE CARNE

La sonda de carne mide la temperatura interna de la carne en la barbacoa, similar a un horno interior. Enchufe el adaptador de la sonda de carne en el puerto de conexión de la sonda de carne en el Tablero de control e inserte la sonda de carne de acero inoxidable en la parte más gruesa de la carne, y en el tablero de control aparecerá la temperatura. **Para garantizar la conexión correcta de la sonda de carne con el puerto de conexión, deberá sentir y oír su enganche.**

**NOTA: cuando inserte la sonda de carne en la carne, asegúrese de que la sonda de carne y los cables de la sonda de carne no estén en contacto directo con el fuego o un calor excesivo. Esto podría dañar la sonda de carne. Tire del cable sobrante hacia fuera por los orificios de extracción traseros de la barbacoa principal o de la parte superior de la barbacoa principal (junto a la bisagra de la tapa de la barbacoa). Cuando no se use, desconéctela del puerto de conexión de la sonda de carne y consérvela aparte para mantenerla protegida y limpia.**

## COMPRENDER EL AJUSTE "P"

Cuando se pulsa el botón de ajuste "P" empotrado, el ajuste "P" que aparece en la pantalla LCD parpadeará y cambiará al valor siguiente (a más). Una vez alcanzado P7, se reiniciará en P0. Hay ocho ajustes "P", de P0 a P7. El botón de ajuste "P" empotrado puede pulsarse con un objeto de punta fina.

**IMPORTANTE: no pulse el botón de ajuste "P" con demasiada fuerza ya que se puede romper. Basta con pulsarlo ligeramente.**

- *USO DEL AJUSTE "P" EN MODO AHUMAR*

Siempre que el dial de temperatura esté en el ajuste AHUMAR, como en el ciclo de arranque, el alimentador de espiral funcionará en un modo de cocción similar al manual en lugar de usar alguno de los preajustes de temperatura del dial. En primer lugar, el alimentador de espiral girará continuamente y alimentará pélets durante cuatro minutos. Al cabo de los cuatro minutos, el alimentador de espiral comienza un ciclo de alimentación en función del ajuste "P" seleccionado en el Tablero de control digital. El ajuste predeterminado es P4.

AJUSTE "P"	CICLO DEL ALIMENTADOR DE ESPIRAL (segundos)	
	EN	OFF
P0	18	55
P1	18	70
P2	18	85
P3	18	100
*P4	<b>18</b>	<b>115</b>
P5	18	130
P6	18	140
P7	18	150

*\*Ajuste predeterminado de fábrica*

## PROCEDIMIENTO DE CEBADO DE LA TOLVA

Debe seguir estas instrucciones la primera vez que se encienda la barbacoa y cada vez que la tolva se quede sin pélets. El alimentador de espiral debe cebarse para que los pélets lo atraviesen y llenen la chimenea. **Si no se ceba, el sistema de ignición agotará su tiempo de espera antes de que los pélets se encienda y no prenderán fuego.** Siga estos pasos para cebar la tolva:

1. Abra la tapa de la tolva. Asegúrese de que no haya objetos extraños en la tolva ni que estén bloqueando la parte inferior de alimentador de espiral.
2. Extraiga todos los componentes de cocina del interior de la barbacoa. Localice la chimenea en la parte inferior del tambor principal.
3. Conecte el cable de alimentación a una toma de corriente. Pulse el **botón de Encendido** para encender la unidad, y gire el **Dial de control de temperatura** a la posición AHUMAR. Realice las comprobaciones siguientes:
  - Que puede oír girar el alimentador de espiral. Coloque la mano por encima de la chimenea y compruebe si percibe el movimiento de aire. No coloque la mano ni los dedos dentro de la chimenea. Puede lesionarse.
  - Después de alrededor de un minuto, el sistema de ignición debería oler a fuego y comenzar a calentarse el aire en la chimenea. La punta del sistema de ignición no brilla de color rojo, pero se calienta mucho y quema. No toque el sistema de ignición.
4. Una vez que haya comprobado que todos los componentes eléctricos están funcionando correctamente, pulse el **botón de Encendido** para apagar la unidad.
5. Llene la tolva con pélets de madera natural para barbacoas.
6. Pulse el **botón de Encendido** para encender la unidad. Mantenga el **Dial de control de temperatura** en la posición AHUMAR. Pulse y mantenga pulsado el **botón de Cebado** hasta que vea pélets en el interior de la barbacoa desde el tubo del alimentador de espiral. Una vez que los pélets empiecen a caer en la chimenea, suelte el **botón de Cebado**.
7. Pulse el **botón de Encendido** para apagar la unidad.
8. Reinstale los componentes de cocina en el tambor principal. La barbacoa ya está lista para usar. (Consulte las *Instrucciones de montaje* para garantizar la instalación correcta de los componentes de cocina).

## PRIMER USO: QUEMAR LA PARRILLA

Una vez que haya cebado la tolva y antes de cocinar en la barbacoa por primera vez, es importante quemar la parrilla. Encienda la barbacoa para que funcione a cualquier temperatura superior a 176 °C/350 °F (con la tapa bajada) de 30 a 40 minutos para quemar la parrilla y eliminar cualquier material extraño.

## PROCEDIMIENTO DE ARRANQUE AUTOMÁTICO

1. Conecte el cable de alimentación a una toma de corriente con conexión a tierra. Abra la tapa del tambor principal. Compruebe la chimenea para asegurarse de que nada pueda obstruir un encendido correcto. Abra la tapa de la tolva. Asegúrese de que no haya objetos extraños en la tolva ni en el alimentador de espiral. Llene la tolva con pélets secos de madera noble natural para barbacoas.
2. Asegúrese de que el **Dial de control de temperatura** esté en la posición AHUMAR. Pulse el **botón de Encendido** para encender la unidad. Se activará el ciclo de arranque. El alimentador de espiral comenzará a girar, el sistema de ignición comenzará a brillar y el ventilador enviará aire a la chimenea. La barbacoa empezará a generar humo durante el ciclo de arranque. La tapa del tambor debe permanecer abierta durante el ciclo de arranque. Para confirmar que el ciclo de arranque ha comenzado correctamente, debería oírse un ruido similar al de una antorcha y observarse la presencia de calor.
3. Una vez que se haya disipado el humo denso y blanco, habrá finalizado el ciclo de arranque y podrá disfrutar de su barbacoa a la temperatura deseada.

## PROCEDIMIENTO EN CASO DE FALLO DEL SISTEMA DE IGNICIÓN

**Si, por algún motivo, el sistema de ignición eléctrica falla o se apaga la llama de la barbacoa durante la cocción, compruebe los pasos siguientes o arranque la barbacoa con el método manual.**

1. Asegúrese de que el **Dial de control de temperatura** esté apagado y en la posición AHUMAR. Abra la tapa del tambor. Extraiga los componentes de cocina del interior. Extraiga todos los pélets sin quemar y las cenizas de la chimenea. Evite el contacto con el sistema de ignición para no hacerse daño, ya que puede estar muy caliente.
2. Una vez que se hayan retirado y limpiado todos los componentes de cocina, pulse el **botón de Encendido** para encender la unidad. Compruebe lo siguiente:
  - Confirme visualmente si el sistema de ignición funciona colocando la mano por encima de la chimenea y comprobando si percibe calor.
  - Confirme visualmente si el sistema de ignición sobresale aproximadamente 13 mm/0,5 pulgadas en la chimenea.
  - Confirme visualmente si el alimentador de espiral está soltando pélets en la chimenea.
  - Para confirmar si el ventilador de combustión está funcionando, debería escucharse un ruido similar al de una antorcha.
3. Si no funcionara alguno de los elementos anteriores, siga las instrucciones para la **Solución de problemas**.

## PROCEDIMIENTO DE ARRANQUE MANUAL

1. Asegúrese de que el **Dial de control de temperatura** esté en la posición AHUMAR. Conecte el cable de alimentación a una toma de corriente con conexión a tierra.
2. Compruebe la chimenea para asegurarse de que nada pueda obstruir un encendido correcto. Abra la tapa de la tolva. Asegúrese de que no haya objetos extraños en la tolva ni en el alimentador de espiral. Llene la tolva con pélets secos de madera noble natural para barbacoas.
3. Abra la tapa del tambor. Extraiga los componentes de cocina del interior para dejar a la vista la chimenea. Coloque un buen puñado de pélets en la chimenea. Eche un chorro de gel de encendido, u otro producto de encendido adecuado para pélets, por encima de los pélets. Una pastilla pequeña sólida de encendido de fuego, como las compuestas por aserrín y cera, o virutas de madera, también es válida. Añada otra cantidad pequeña de pélets a la chimenea.

**NOTA: no use alcohol, petróleo, gasolina, líquido inflamable o queroseno para encender o reavivar un fuego en la barbacoa.**

4. Prenda el contenido de la chimenea con un fósforo largo o un mechero de cocina. Deje quemar el contenido de arranque de 3 a 5 minutos. No añada material de arranque a la chimenea. Puede lesionarse.
5. Vuelva a colocar rápidamente y con cuidado los componentes de cocina en el interior del tambor principal. Continúe con el arranque en el paso dos del **Procedimiento de arranque automático**.

## APAGAR LA BARBACOA

1. Cuando haya terminado de cocinar, y dejando cerrada la tapa del tambor principal, pulse el **botón de Encendido** para apagar la unidad y coloque el **Dial de control de temperatura** en la posición de APAGADO.

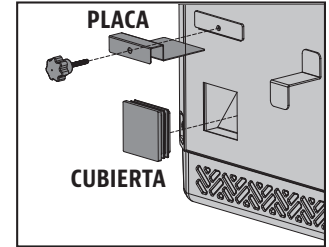
# CUIDADO Y MANTENIMIENTO

Todas las unidades Pit Boss® le proporcionarán muchos años de servicio y sabor con una limpieza mínima. Siga estos consejos de limpieza y servicio para mantener la barbacoa:

## 1. CONJUNTO DE TOLVA

- La tolva incluye una función de limpieza que facilita la limpieza y cambio de sabores del combustible de pélets. Para vaciarla, localice la placa y el vertedero en la parte posterior de la tolva. Coloque un cubo vacío y limpio debajo de la cubierta del vertedero y a continuación retire la cubierta. Desenrosque la placa, deslícela hacia fuera y se vaciarán los pélets.

**NOTA: use un cepillo de mango largo o un aspirador en seco y húmedo para eliminar el exceso de pélets, serrín y residuos, y limpiar por completo la pantalla de la tolva.**



- Si no va a usar la barbacoa durante un período de tiempo prolongado, se recomienda vaciar todos los pélets del alimentador de espiral. Para ello solo tiene que hacer funcionar la barbacoa, con la tolva vacía, hasta que hayan salido todos los pélets del tubo del alimentador de espiral.
- Compruebe si hay residuos en el orificio de entrada de aire del ventilador, en la base de la tolva, y elimínelos. Una vez extraído el panel de acceso a la tolva (véase **Diagrama de cableado eléctrico** para consultar el diagrama), limpie con cuidado cualquier acumulación de grasa que pueda haber en las aspas del ventilador. Así asegura un flujo de aire suficiente para el sistema de alimentación.

## 2. SONDAS

- Las arrugas o los pliegues en los cables de la sonda pueden producir daños. Una sonda de carne que no se use debe enrollarse en un rollo grande y holgado.
- Aunque la sonda de temperatura y las sondas de carne sean de acero inoxidable, no deben colocarse en el lavavajillas ni sumergirse en agua. El daño que el agua puede producir en los cables internos dará lugar a un cortocircuito de la sonda y lecturas erróneas. Si una sonda está averiada debe sustituirse.

## 3. SUPERFICIES INTERNAS

- Se recomienda limpiar la chimenea cada pocos usos. Así se asegurará de que el sistema de ignición funcione correctamente y evitará cualquier acumulación de residuos o cenizas en la chimenea.
- Use un cepillo de mango largo para la limpieza de parrillas, elimine los restos de comida de las rejillas para cocinar. La práctica recomendada es hacerlo mientras están aún calientes de un uso anterior. Los fuegos de grasa se producen cuando caen demasiados residuos sobre los componentes para cocinar de la barbacoa. Limpie el interior de la barbacoa con regularidad. Si la grasa prende fuego, mantenga cerrada la tapa de la barbacoa para extinguir el fuego. Si el fuego no se extingue rápidamente, retire con cuidado la comida, apague la barbacoa y cierre la tapa hasta que el fuego se haya extinguido por completo. Esparza un poco de bicarbonato de soda, si lo tiene a mano.
- Compruebe a menudo el cubo para la grasa y límpielo si es necesario. Tenga en cuenta el tipo de cocina que suele realizar.

**IMPORTANTE: dado el calor intenso, no cubra el asador de fuego ni las sondas con papel aluminio.**

## 4. SUPERFICIES EXTERNAS

- Limpie la barbacoa después de cada uso. Use agua tibia jabonosa para reducir la grasa. No use limpiadores de horno, limpiadores abrasivos ni estropajos abrasivos en las superficies externas de la barbacoa. **Ninguna de las superficies pintadas están cubiertas por la garantía**, sino que forman parte del mantenimiento y conservación general. En el caso de rasguños de pintura, desgaste o desconchado del acabado, todas las superficies pintadas pueden retocarse con la pintura BBQ para altas temperaturas.
- Use una cubierta para una protección completa de la barbacoa. Un cubierta es la mejor protección contra los agentes contaminantes climáticos y exteriores. Cuando no se use o se almacene durante períodos prolongados, coloque la unidad bajo techo en un garaje o cobertizo.



### FRECUENCIA DE LIMPIEZA (USO NORMAL)

COMPONENTE	FRECUENCIA DE LIMPIEZA	MÉTODO DE LIMPIEZA
Base de la parrilla principal	Cada 5-6 usos de la barbacoa	Eliminar los residuos con un recogedor o aspiradora en seco o húmedo
Chimenea	Cada 2-3 usos de la barbacoa	Eliminar los residuos con un recogedor o aspiradora en seco o húmedo
Rejillas para cocinar	Después de cada uso de la barbacoa	Quemar el exceso, cepillo de alambre de latón
Parrilla	Cada 5-6 usos de la barbacoa	Raspar la placa principal con guía, <b>No lavar</b>
Estante delantero	Después de cada uso de la barbacoa	Estropajo y agua jabonosa
Recogegrasas	Después de cada uso de la barbacoa	Estropajo y agua jabonosa
Alimentador de espiral	Cuando se vacía la bolsa de gránulos	Deje que el alimentador de espiral expela el serrín hasta que se vacíe la tolva
Componentes eléctricos de la tolva	Una vez por año	Limpiar el interior, limpiar las aspas del ventilador con agua jabonosa
Orificio de entrada de aire	Cada 5-6 usos de la barbacoa	Limpiar, estropajo y agua jabonosa
Sonda de temperatura	Cada 2-3 usos de la barbacoa	Estropajo y agua jabonosa

# CONSEJOS Y TÉCNICAS

Siga estas prácticas sugerencias y técnicas que nos han hecho llegar propietarios de productos Pit Boss®, nuestros empleados y clientes como usted, para familiarizarse con la barbacoa:

## 1. SEGURIDAD ALIMENTARIA

- Mantenga limpios todos los elementos de cocina y la zona de cocina. Para la carne cocinada use fuentes y utensilios diferentes a los que haya usado para preparar o transportar la carne cruda a la barbacoa. De esa manera evitar la contaminación cruzada de bacterias. Use un utensilio distinto para cada adobo o salsa.
- Mantenga calientes los alimentos calientes (más de 60 °C/140 °F) y fríos los alimentos fríos (menos de 3 °C/37 °F).
- No guarde nunca el resto de un adobo para usar en otra ocasión. Si lo va a servir con la carne, asegúrese de que hierva antes de servirlo.
- Los alimentos cocinados no deben permanecer fuera a altas temperaturas durante más de una hora. No deje los alimentos calientes fuera de la nevera durante más de dos horas.
- Descongele y macere las carnes mediante refrigeración. No descongele carne a temperatura ambiente o en una encimera. Las bacterias pueden aumentar y multiplicarse rápidamente en los alimentos calientes y húmedos. Lávese bien las manos con agua jabonosa después de comenzar a preparar la comida y después de manipular carne, pescado y aves crudas.

## 2. PREPARACIÓN PARA COCINAR

- Prepárese, o dicho de otro modo **manos a la obra**. Con esto nos referimos a estar preparados para la receta de cocina y disponer del combustible, los accesorios, utensilios y todos los ingredientes que necesite cerca de la barbacoa antes de empezar a cocinar. También conviene leer la receta completa, de principio a fin, antes de encender la barbacoa.
- Una alfombrilla para barbacoas también es muy práctica. Debido a los accidentes que se producen al cocinar alimentos y a las salpicaduras, una esterilla para barbacoas protegerá cualquier suelo, patio o plataforma de piedra contra posibles manchas de grasa o derramamientos accidentales.

## 3. CONSEJOS Y TÉCNICAS PARA COCINAR EN LA BARBACOA

- Para potenciar el sabor ahumado de la carne, cocine durante más tiempo a temperaturas más bajas (también se conoce como **coCCIÓN a fuego lento**). La carne cerrará sus fibras tras alcanzar una temperatura interna de 49 °C/120 °F. Rociar o humedecer la carne son dos buenas maneras de evitar que la carne se seque.
- Cuando chamusque la carne, mantenga la tapa cerrada. Use siempre un termómetro para carnes para conocer la temperatura interna de los alimentos que está cocinando. Ahumar alimentos con pélets de madera noble hará que la carne y las aves tomen un color rosado. La franja rosada (después de cocinar) se conoce como **anillo ahumado** y es algo muypreciado por los chefs especializados en cocinar al aire libre.
- Las salsas con azúcar es mejor aplicarlas al final de la coCCIÓN para impedir fuegos y llamaradas inesperadas.
- Deje espacio libre entre los alimentos y las extremidades del tambor para conseguir una circulación adecuada del calor. Si hay muchos alimentos en la parrilla habrá que aumentar el tiempo de coCCIÓN.
- Use un juego de tenazas de mango largo para voltear la carne y una espátula para voltear hamburguesas y pescado. Con un utensilio perforador, como un tenedor, puede pinchar la carne para que salga su jugo.
- Los alimentos en cazuelas profundas necesitarán más tiempo de coCCIÓN que un molde para hornear poco profundo.
- Se recomienda colocar los alimentos cocinados en una fuente precalentada para mantenerlos calientes. A las carnes rojas, como chuletones y asados, les va bien dejarlos reposar varios minutos antes de servir. Permite que los jugos que el calor hizo salir a la superficie vuelvan al centro de la carne y les añadan sabor.

# RESOLUCIÓN DE PROBLEMAS

Una limpieza adecuada, mantenimiento y el uso de combustible limpio, seco y de calidad impedirán que surjan los problemas de funcionamiento más comunes. Cuando la barbacoa Pit Boss® no funcione bien, o se use con menor frecuencia, las siguientes sugerencias de solución de problemas pueden resultar útiles.

Para consultar las preguntas frecuentes, visite [www.pitboss-grills.com](http://www.pitboss-grills.com). También puede ponerse en contacto con su distribuidor local autorizado de Pit Boss® o bien solicitar asistencia al servicio de Atención al cliente.

**ADVERTENCIA: desconecte siempre el cable eléctrico antes de abrir la barbacoa para cualquier inspección o tarea de limpieza, mantenimiento o reparación. Asegúrese de que la barbacoa se haya enfriado por completo para evitar lesiones.**

PROBLEMA	CAUSA	SOLUCIÓN
Sin luces de encendido en el tablero de control	El dial de control de temperatura sigue apagado.	Pulse el botón de Encendido y asegúrese de que brille de color azul para indicar si hay conexión eléctrica. Gire el Dial de control de temperatura a un ajuste de temperatura.
	No conectada a una fuente de alimentación	Asegúrese de que la unidad esté conectada a una fuente de alimentación que funcione. Reinicie el disyuntor. Asegúrese de que la toma GFCI sea de 10 amperios como mínimo (véase el <b>Diagrama de cableado eléctrico</b> para consultar el acceso a los componentes eléctricos). Asegúrese de que todas las conexiones por cable estén firmemente conectadas y secas.
	Fusible quemado en el tablero de control	Extraiga el panel de acceso a la tolva (consulte el <b>Diagrama de cableado eléctrico</b> ), empuje hacia dentro las lengüetas de plástico que sujetan el tablero de control y tire cuidadosamente del controlador situado dentro de la tolva para soltarlo. Compruebe si el fusible tiene un cable roto o si el cable está ennegrecido. En caso afirmativo, es necesario cambiar manualmente el fusible.
	La toma GFCI se ha desconectado.	Extraiga el panel de acceso a la tolva (consulte el <b>Diagrama de cableado eléctrico</b> ) y asegúrese de que todos los cables estén firmemente conectados y secos. Asegúrese de que la toma GFCI sea de 10 amperios como mínimo.
	Tablero de control defectuoso	Debe sustituirse el Tablero de control. Póngase en contacto con Atención al cliente para solicitar el recambio.
El fuego de la chimenea no se enciende	El alimentador de espiral no se ceba	Antes de usar la unidad por primera vez o siempre que la tolva esté completamente vacía, debe cebarse el alimentador de espiral para que los gránulos el tubo del alimentador de espiral. Si no se ceba, el sistema de ignición agotará su tiempo de espera antes de que los gránulos lleguen a la chimenea. Siga el <b>Procedimiento de cebado de la tolva</b> .
	El motor de alimentador de espiral está atascado	Extraiga los componentes de cocina del tambor principal. Pulse el botón de Encendido para encender la unidad, gire el Dial de control de temperatura a la posición AHUMAR e inspeccione el alimentador de espiral. Confirme visualmente si el alimentador de espiral está soltando gránulos en la chimenea. Si no funciona bien, llame a Atención al cliente para solicitar asistencia o una pieza de recambio.
	Fallo del sistema de ignición	Extraiga los componentes de cocina del tambor principal. Pulse el botón de Encendido para encender la unidad y gire el Dial de control de temperatura a la posición AHUMAR, e inspeccione el sistema de ignición. Confirme visualmente si el sistema de ignición funciona colocando la mano por encima de la chimenea y comprobando si percibe calor. Confirme visualmente si el sistema de ignición sobresale aproximadamente 13 mm/0,5 pulgadas en la chimenea. Si no funciona bien, siga el <b>Procedimiento de arranque manual</b> para continuar usando la barbacoa, pero si necesita asistencia o algún recambio, llame al servicio de Atención al cliente.
Puntos parpadeantes en la pantalla LCD	El sistema de ignición está encendido	No es un error que afecte a la barbacoa. Se usa para indicar que la unidad está encendida y en modo Arranque (sistema de ignición encendido). El sistema de ignición se apagará una vez transcurridos cinco minutos. Una vez que hayan desaparecido los puntos parpadeantes, la barbacoa comenzará a ajustar la temperatura deseada que se haya seleccionado.
Temperatura parpadeante en la pantalla LCD	La temperatura de la barbacoa es inferior a 65 °C/150 °F	No es un error que afecte a la unidad, sino que se usa para indicar que hay riesgo de que el fuego se apague. Compruebe si hay combustible suficiente en la tolva o hay alguna obstrucción en el alimentador de espiral. Extraiga los gránulos y siga las instrucciones de <b>Cuidado y mantenimiento</b> . Compruebe la sonda de temperatura de la barbacoa y siga las instrucciones de <b>Cuidado y mantenimiento</b> si está sucia. Compruebe si la chimenea presenta acumulación de cenizas u obstrucciones, y siga las instrucciones de <b>Cuidado y mantenimiento</b> si hay acumulación de cenizas. Compruebe el ventilador. Asegúrese de que esté funcionando correctamente y que la entrada de aire no esté bloqueada. Siga las instrucciones de <b>Cuidado y mantenimiento</b> si está sucia. Compruebe el motor del alimentador de espiral para confirmar que está funcionando (rotando) y asegúrese de que el tubo del alimentador de espiral no esté bloqueado.

Código de error "ErH"	La unidad se ha recalentado, posiblemente debido a fuego de grasa o exceso de combustible.	Pulse el botón de Encendido para apagar la unidad y deje enfriar la barbacoa. Siga las instrucciones de <b>Cuidado y mantenimiento</b> . Tras las tareas de mantenimiento, extraiga los gránulos y confirme la colocación de todas las piezas componentes. Una vez se haya enfriado, pulse el botón de Encendido para encender la unidad y seleccione la temperatura deseada. Si aún aparece el error, póngase en contacto con Atención al cliente.
Código de error "Er1"	El cable de la sonda de temperatura no establece conexión.	Extraiga el panel de acceso a la tolva (consulte el <b>Diagrama de cableado eléctrico</b> ) y compruebe si los cables de la Sonda de temperatura están dañados. Asegúrese de que los conectores molex de la Sonda de temperatura estén firme y correctamente conectados al Tablero de control.
Código de error "ErP"	La unidad no se apagó correctamente la última vez que se conectó a la alimentación.	La función de seguridad impide el reinicio automático. Pulse el botón de Encendido para apagar la unidad, espere dos minutos y pulse el botón de Encendido para volver a encender la unidad. Gire el Dial de control de temperatura al ajuste AHUMAR o a la temperatura deseada. Si aún aparece el error, póngase en contacto con Atención al cliente.
	Corte de luz mientras la unidad está en funcionamiento.	
Código de error "noP"	Mala conexión en el puerto de conexión	Desconecte la sonda de carne del puerto de conexión del Tablero de control y vuelva a conectarla. Asegúrese de que el adaptador de la sonda de carne esté firmemente conectado. Compruebe si hay indicios de daños en el extremo del adaptador. Si el fallo persiste, póngase en contacto con Atención al cliente para solicitar el recambio.
	Sonda de carne dañada	Compruebe si hay indicios de daño en los cables de la sonda de carne. Si hay daños, póngase en contacto con Atención al cliente para solicitar el recambio.
	Tablero de control defectuoso	Debe sustituirse el Tablero de control. Póngase en contacto con Atención al cliente para solicitar el recambio.
La temperatura de la barbacoa con el ajuste AHUMAR es demasiado alta	El ajuste "P" es demasiado BAJO	Pulse el botón de ajuste "P" e incremente el ajuste "P".
La barbacoa no alcanza o no mantiene la temperatura estable	Circulación de aire insuficiente en la chimenea	Compruebe si la chimenea presenta acumulación de ceniza u obstrucciones. Siga las Instrucciones de <b>Cuidado y mantenimiento</b> para la acumulación de cenizas. Compruebe el ventilador. Asegúrese de que esté funcionando correctamente y que la entrada de aire no esté bloqueada. Siga las instrucciones de <b>Cuidado y mantenimiento</b> si está sucia. Compruebe el motor del alimentador de espiral para confirmar que está funcionando y asegúrese de que el tubo del alimentador de espiral no esté bloqueado. Una vez realizados los pasos anteriores, encienda la barbacoa, establezca la temperatura en AHUMAR y espere 10 minutos. Compruebe si la llama es brillante y viva.
	Falta combustible, combustible de mala calidad, obstrucción en el sistema de alimentación	Compruebe si el nivel de combustible en la tolva es suficiente y reponga si es bajo. Si la calidad de los gránulos es mala, o si estos son demasiado largos, esto puede producir obstrucciones en el sistema de alimentación. Extraiga los gránulos y siga las instrucciones de <b>Cuidado y mantenimiento</b> .
	Sonda de temperatura	Compruebe el estado de la sonda de temperatura. Siga las instrucciones de Cuidado y mantenimiento si está sucia. Póngase en contacto con Atención al cliente para solicitar un recambio si está dañada.
La barbacoa despidе demasiado humo o humo descolorido	Acumulación de grasa	Siga las instrucciones de <b>Cuidado y mantenimiento</b> .
	Calidad de los gránulos de madera	Extraiga los gránulos de madera húmedos de la tolva. Siga las instrucciones de <b>Cuidado y mantenimiento</b> para limpiar. Sustituya por gránulos de madera secos.
	La chimenea está bloqueada	<i>Extraiga los gránulos de madera húmedos de la chimenea. Siga el Procedimiento de cebado de la tolva.</i>
	Circulación de aire insuficiente para el ventilador	<i>Compruebe el ventilador. Asegúrese de que esté funcionando correctamente y que la entrada de aire no esté bloqueada. Siga las instrucciones de <b>Cuidado y mantenimiento</b> si está sucia.</i>
Llamaradas frecuentes	Temperatura de cocción	Pruebe cocinar a temperatura más baja. La grasa tiene un punto de inflamación. Mantenga la temperatura por debajo de 176 °C/350 °F cuando cocine alimentos muy grasos.
	Acumulación de grasa en los componentes de cocina	Siga las instrucciones de <b>Cuidado y mantenimiento</b> .

# DIAGRAMA DE CABLEADO ELÉCTRICO

El sistema del Tablero de control digital es una pieza de tecnología compleja y valiosa. Para proteger contra las subidas de tensión y los cortocircuitos, consulte el diagrama de cableado para asegurarse de que la fuente de alimentación sea suficiente para que la unidad funcione correctamente.

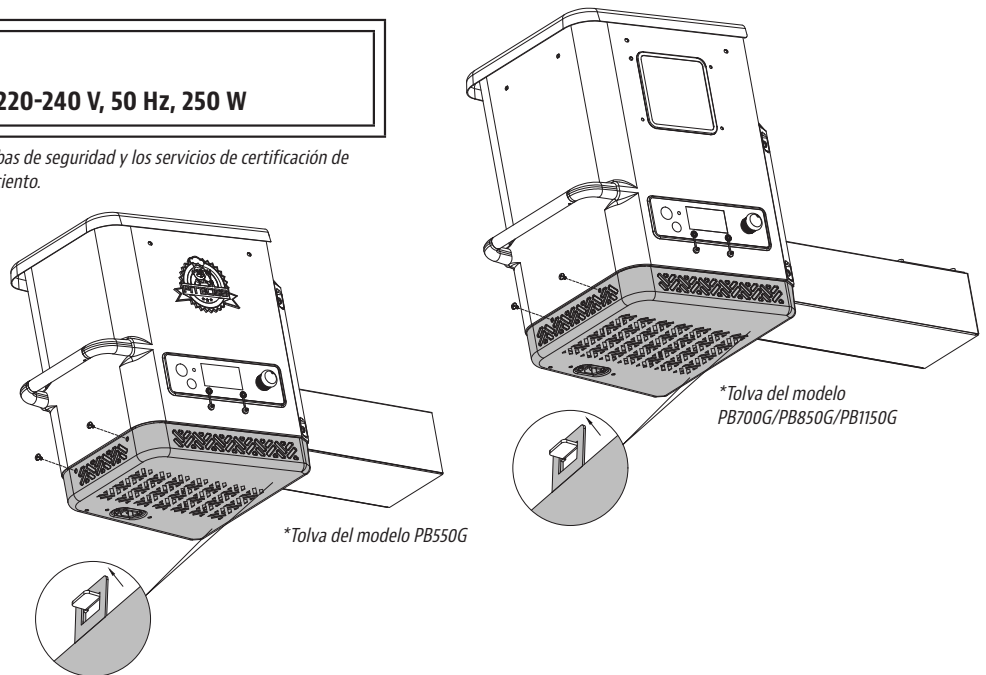
## PB – REQUISITOS ELÉCTRICOS

ENCHUFE CON CONEXIÓN A TIERRA DE 220-240 V, 50 Hz, 250 W

NOTA: los componentes eléctricos, que han superado las pruebas de seguridad y los servicios de certificación de producto, cumplen con la tolerancia de prueba de  $\pm 5-10$  por ciento.

LOCALICE Y EXTRAIGA LOS DOS TORNILLOS DEL PANEL DE ACCESO SITUADO EN EL LATERAL DE LA TOLVA.

SUELTE EL PANEL INFERIOR DE LA TOLVA HACIA ABAJO Y VUELVA A DESLIZARLO HACIA ATRÁS PARA EXTRAERLO DE LA PESTAÑA.

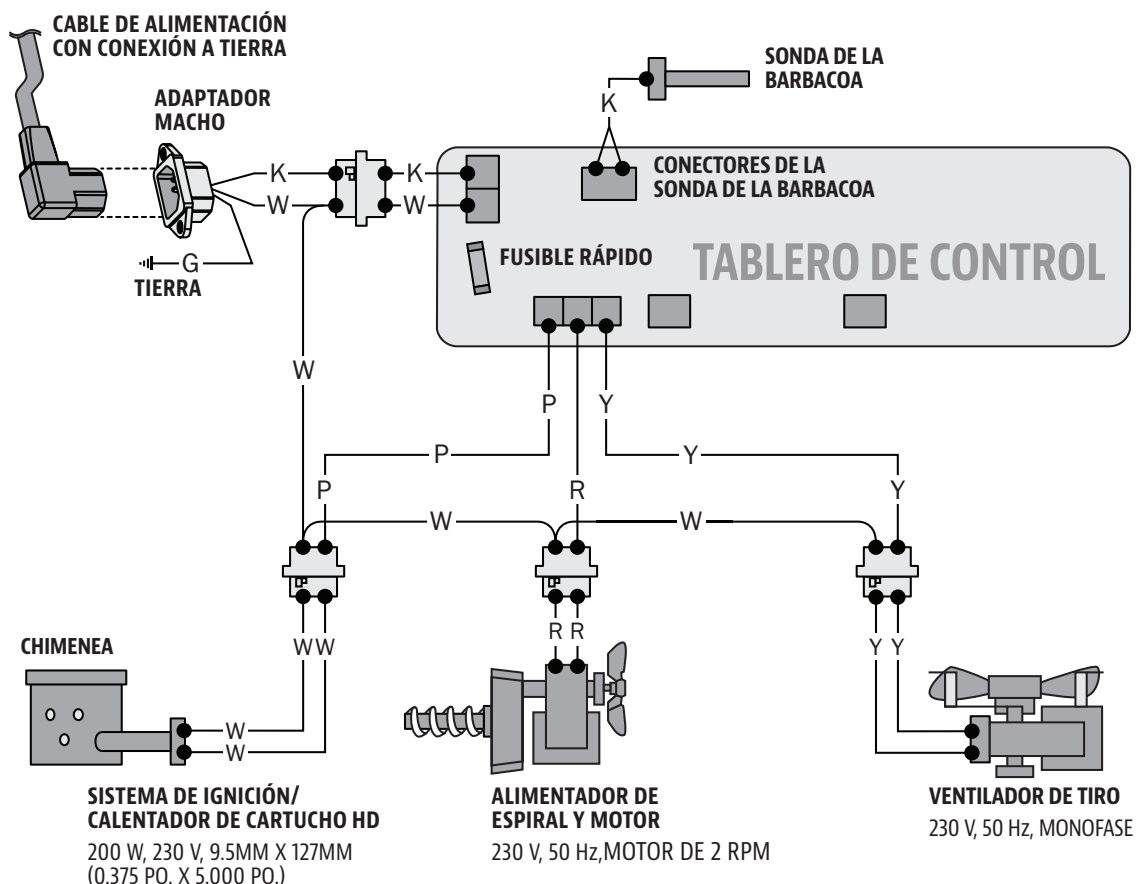


## TASA DE ENTRADA DE COMBUSTIBLE:

2 KG/H  
(4.4 LB/H)

## ÍNDICE

B: BLANCO  
A: AMARILLO  
M: MORADO  
R: ROJO  
N: NEGRO  
V: VERDEN



# PIEZAS DE REPUESTO DE LA BARBACOA PB550G

N.º de referencia	Descripción
1-A	Tope para la tapa (x1)
2-A	Asa de la tapa (x1)
3-A	Remate del asa de la tapa (x2)
4-A	Tambor principal (x1)
5-A	Conjunto de tolva (x1)
6-A	Barra de ajuste del asador a la llama (x1)
7-A	Asa del regulador del asador a la llama (x1)
8-A	Guía del asador a la llama (x1)
9-A	Placa principal del asador a la llama (x1)
10-A	Pata delantera izquierda (x1)
11-A	Pata trasera izquierda (x1)
12-A	Pata delantera derecha (x1)
13-A	Pata trasera derecha (x1)
14-A	Remate de la pata delantera izquierda (x1)
15-A	Remate de la pata trasera izquierda (x1)
16-A	Rueda (x2)
17-A	Placa de soporte inferior derecha (x1)
18-A	Placa de soporte inferior izquierda (x1)
19-A	Placa de soporte corta (x2)

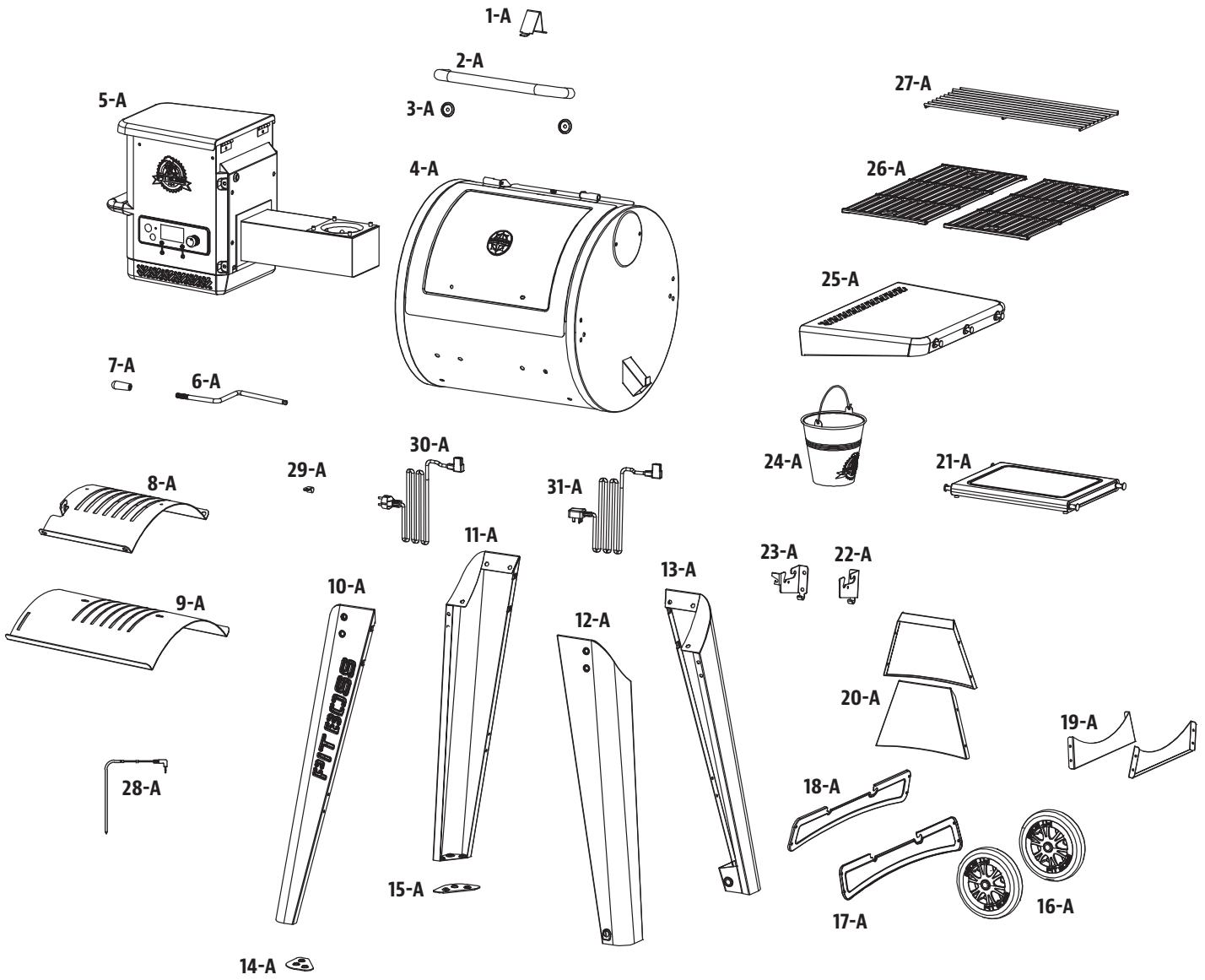
N.º de referencia	Descripción
20-A	Placa de soporte delantera/trasera larga (x2)
21-A	Estante delantero (x1)
22-A	Soporte del estante delantero derecho (x1)
23-A	Soporte del estante delantero izquierdo (x1)
24-A	Recogegrasa (x1)
25-A	Mesa lateral derecha (x1)
26-A	Rejilla para cocinar (x2)
27-A	Bandeja para calentar (x1)
28-A	Termómetro de carne (x1)
29-A	Clip para cable de alimentación (x1)
30-A	Cable de alimentación: enchufe F (x1)
31-A	Cable de alimentación: enchufe G (x1)
A	Tornillo (x18)
B	Arandela (x18)
C	Arandela de retención (x18)
D	Tornillo (x30)
E	Clavija de eje de rueda (x2)
F	Clavija de rueda (x2)
G	Arandela de rueda (x2)

NOTA: debido a que el producto está en desarrollo constante, las piezas están sujetas a cambios sin aviso previo.

Ilustración en la página siguiente.

MODELO	UNIDAD MONTADA (AxAxP)	PESO DE LA UNIDAD	ÁREA DE COCINA	RANGO DE TEMP.	CARACTERÍSTICAS DIGITALES
PB PB550G	1227mm x 1195mm x 868mm / 48,3 pu x 47 pu x 34,17 pu	55,7 kg / 122,8 lb	Principal - 2580,6 cm <sup>2</sup> / 400 pu. cu. Bandeja superior- 920 cm <sup>2</sup> / 142,6 pu. cu. <b>TOTAL - 3500,6 cm<sup>2</sup> / 542,6 pu. cu.</b>	82-260°C / 180-500°F	Diez preajustes de temperatura, ciclos de arranque y enfriamiento, sistema de ignición eléctrica

# PIEZAS DE REPUESTO DE LA BARBACOA PB550G



# PIEZAS DE REPUESTO DE LA BARBACOA PB700G

N.º de referencia	Descripción
1-A	Tope para la tapa (x1)
2-A	Asa de la tapa (x1)
3-A	Remate del asa de la tapa (x2)
4-A	Tambor principal (x1)
5-A	Conjunto de tolva (x1)
6-A	Barra de ajuste del asador a la llama (x1)
7-A	Asa del regulador del asador a la llama (x1)
8-A	Guía del asador a la llama (x1)
9-A	Placa principal del asador a la llama (x1)
10-A	Pata delantera izquierda (x1)
11-A	Pata trasera izquierda (x1)
12-A	Pata delantera derecha (x1)
13-A	Pata trasera derecha (x1)
14-A	Remate de la pata delantera izquierda (x1)
15-A	Remate de la pata trasera izquierda (x1)
16-A	Rueda (x2)
17-A	Placa de soporte inferior derecha (x1)
18-A	Placa de soporte inferior izquierda (x1)
19-A	Placa de soporte corta (x2)
20-A	Placa de soporte delantera larga (x1)

N.º de referencia	Descripción
21-A	Placa de soporte trasera larga (x1)
22-A	Estante delantero (x1)
23-A	Soporte del estante delantero derecho (x1)
24-A	Soporte del estante delantero izquierdo (x1)
25-A	Recogegrasa (x1)
26-A	Mesa lateral derecha (x1)
27-A	Rejilla para cocinar (x2)
28-A	Bandeja para calentar (x1)
29-A	Sonda de carne (x1)
30-A	Clip para cable de alimentación (x1)
31-A	Cable de alimentación: enchufe F (x1)
32-A	Cable de alimentación: enchufe G (x1)
A	Tornillo (x18)
B	Arandela (x18)
C	Arandela de retención (x18)
D	Tornillo (x30)
E	Clavija de eje de rueda (x2)
F	Clavija de rueda (x2)
G	Arandela de rueda (x2)

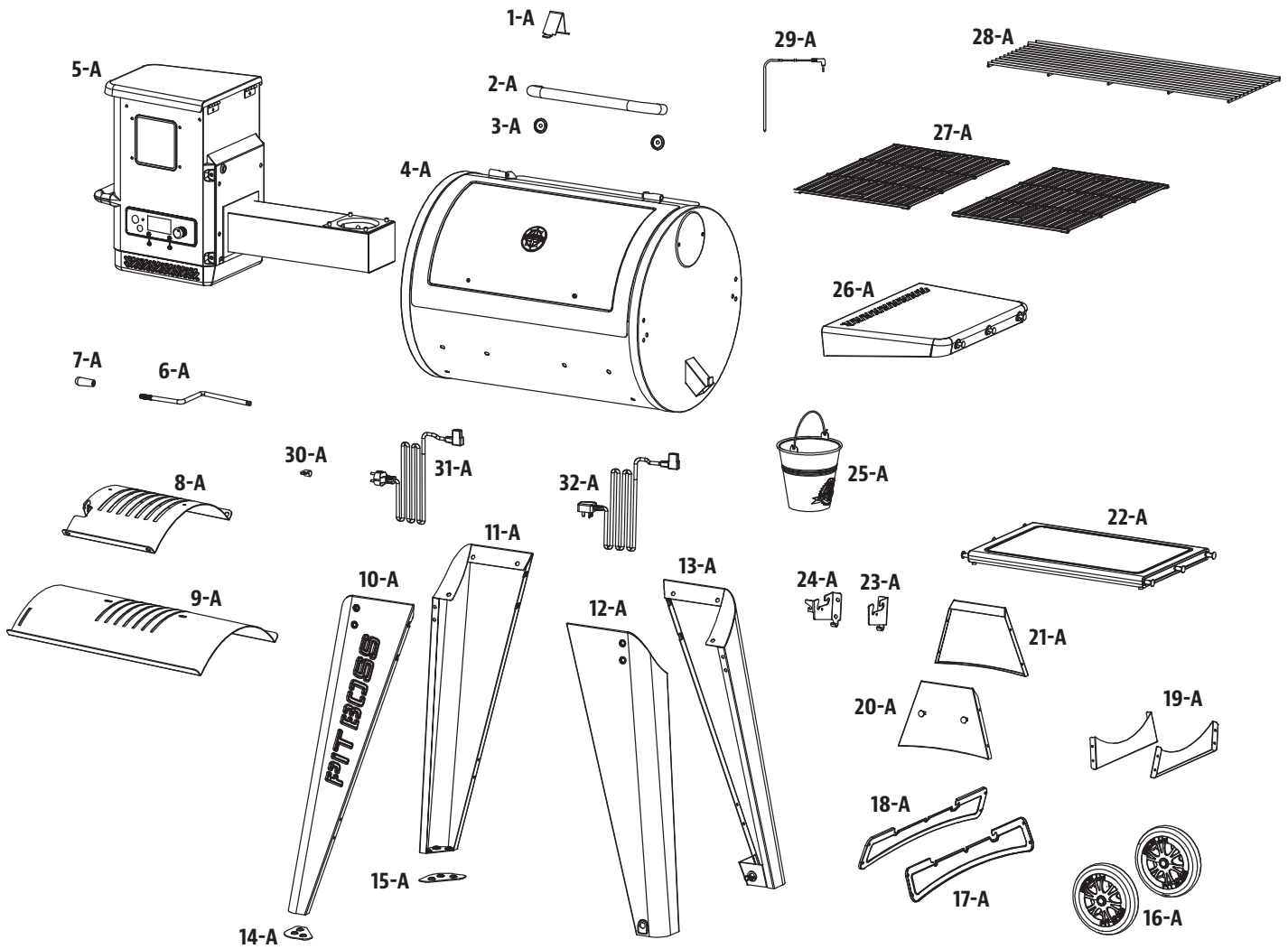
NOTA: debido a que el producto está en desarrollo constante, las piezas están sujetas a cambios sin aviso previo.

Ilustración en la página siguiente.

MODELO	UNIDAD MONTADA (AxAxP)	PESO DE LA UNIDAD	ÁREA DE COCINA	RANGO DE TEMP.	CARACTERÍSTICAS DIGITALES
PB PB700G	1388mm x 1195mm x 940mm / 56,6 pu x 47 pu x 37 pu	66,5 kg / 146,61 lb	Principal - 3109 cm <sup>2</sup> / 482 pu. cu. Bandeja superior- 1341 cm <sup>2</sup> / 208 pu. cu. <b>TOTAL - 4450 cm<sup>2</sup> / 690 pu. cu.</b>	82-260°C / 180-500°F	Diez preajustes de temperatura, ciclos de arranque y enfriamiento, sistema de ignición eléctrica



# PIEZAS DE REPUESTO DE LA BARBACOA PB700G



ES

ESPAÑOL

# PIEZAS DE REPUESTO DE LA BARBACOA PB850G

N.º de referencia	Descripción
1-A	Tope para la tapa (x1)
2-A	Asa de la tapa (x1)
3-A	Remate del asa de la tapa (x2)
4-A	Tambor principal (x1)
5-A	Conjunto de tolva (x1)
6-A	Barra de ajuste del asador a la llama (x1)
7-A	Asa del regulador del asador a la llama (x1)
8-A	Guía del asador a la llama (x1)
9-A	Placa principal del asador a la llama (x1)
10-A	Pata delantera izquierda (x1)
11-A	Pata trasera izquierda (x1)
12-A	Pata delantera derecha (x1)
13-A	Pata trasera derecha (x1)
14-A	Remate de la pata delantera izquierda (x1)
15-A	Remate de la pata trasera izquierda (x1)
16-A	Rueda pivotante con freno (x2)
17-A	Rueda (x2)
18-A	Placa de soporte inferior derecha (x1)
19-A	Placa de soporte inferior izquierda (x1)
20-A	Placa de soporte corta (x2)
21-A	Placa de soporte delantera larga (x1)

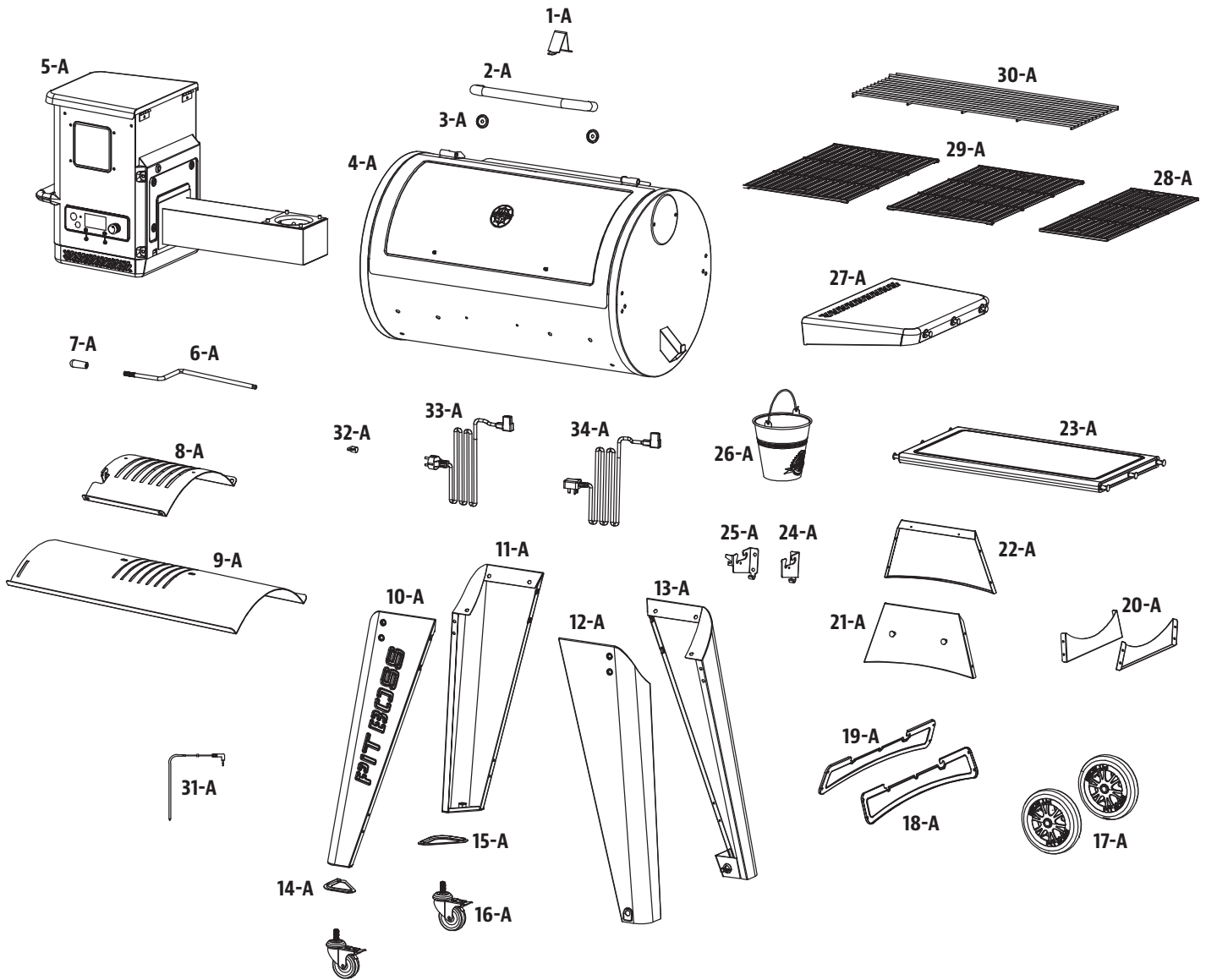
N.º de referencia	Descripción
22-A	Placa de soporte trasera larga (x1)
23-A	Estante delantero (x1)
24-A	Soporte del estante delantero derecho (x1)
25-A	Soporte del estante delantero izquierdo (x1)
26-A	Recogegrasa (x1)
27-A	Mesa lateral derecha (x1)
28-A	Rejilla para cocinar A (x1)
29-A	Rejilla para cocinar B (x2)
30-A	Bandeja para calentar (x1)
31-A	Sonda de carne (x1)
32-A	Clip para cable de alimentación (x1)
33-A	Cable de alimentación: enchufe F (x1)
34-A	Cable de alimentación: enchufe G (x1)
A	Tornillo (x18)
B	Arandela (x18)
C	Arandela de retención (x18)
D	Tornillo (x30)
E	Tornillo (x4)
F	Clavija de eje de rueda (x2)
G	Clavija de rueda (x2)
H	Arandela de rueda (x2)

NOTA: debido a que el producto está en desarrollo constante, las piezas están sujetas a cambios sin aviso previo.

Ilustración en la página siguiente.

MODELO	UNIDAD MONTADA (AxAxP)	PESO DE LA UNIDAD	ÁREA DE COCINA	RANGO DE TEMP.	CARACTERÍSTICAS DIGITALES
PB PB850G	1472mm x 1195mm x 940mm / 57,9 pu x 47 pu x 37 pu	74,5kg / 164,24 lb	Principal - 3825,8 cm <sup>2</sup> / 593 pu. cu. Bandeja superior- 1845,2 cm <sup>2</sup> / 286 pu. cu. <b>TOTAL - 5671 cm<sup>2</sup> / 879 pu. cu.</b>	82-260°C / 180-500°F	Diez preajustes de temperatura, ciclos de arranque y enfriamiento, sistema de ignición eléctrica

# PIEZAS DE REPUESTO DE LA BARBACOA PB850G



ES  
ESPAÑOL



# PIEZAS DE REPUESTO DE LA BARBACOA PB1150G

N.º de referencia	Descripción
1-A	Tope para la tapa (x1)
2-A	Asa de la tapa (x1)
3-A	Remate del asa de la tapa (x2)
4-A	Tambor principal (x1)
5-A	Conjunto de tolva (x1)
6-A	Barra de ajuste del asador a la llama (x1)
7-A	Asa del regulador del asador a la llama (x1)
8-A	Guía del asador a la llama (x1)
9-A	Placa principal del asador a la llama (x1)
10-A	Pata delantera izquierda (x1)
11-A	Pata trasera izquierda (x1)
12-A	Pata delantera derecha (x1)
13-A	Pata trasera derecha (x1)
14-A	Remate de la pata delantera izquierda (x1)
15-A	Remate de la pata trasera izquierda (x1)
16-A	Rueda pivotante con freno (x2)
17-A	Rueda (x2)
18-A	Placa de soporte inferior derecha (x1)
19-A	Placa de soporte inferior izquierda (x1)
20-A	Placa de soporte corta (x2)
21-A	Placa de soporte delantera larga (x1)
22-A	Placa de soporte trasera larga (x1)

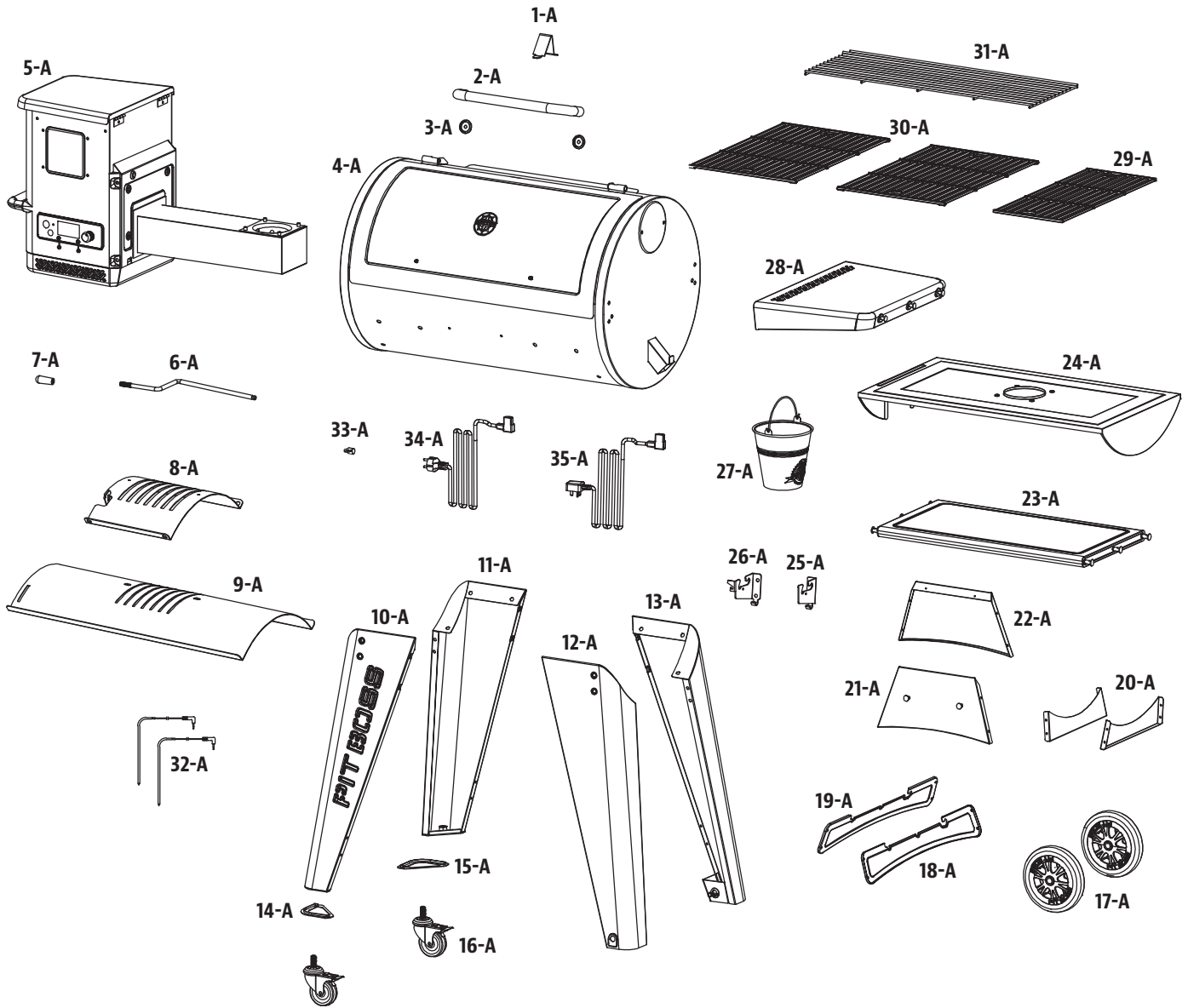
N.º de referencia	Descripción
23-A	Estante delantero (x1)
24-A	Placa difusora (x1)
25-A	Soporte del estante delantero derecho (x1)
26-A	Soporte del estante delantero izquierdo (x1)
27-A	Recogegrasa (x1)
28-A	Mesa lateral derecha (x1)
29-A	Rejilla para cocinar A (x1)
30-A	Rejilla para cocinar B (x2)
31-A	Bandeja para calentar (x1)
32-A	Sonda de carne (x2)
33-A	Clip para cable de alimentación (x1)
34-A	Cable de alimentación: enchufe F (x1)
35-A	Cable de alimentación: enchufe G (x1)
A	Tornillo (x18)
B	Arandela (x18)
C	Arandela de retención (x18)
D	Tornillo (x30)
E	Tornillo (x6)
F	Clavija de eje de rueda (x2)
G	Clavija de rueda (x2)
H	Arandela de rueda (x2)

NOTA: debido a que el producto está en desarrollo constante, las piezas están sujetas a cambios sin aviso previo.

Ilustración en la página siguiente.

MODELO	UNIDAD MONTADA (AxPxP)	PESO DE LA UNIDAD	ÁREA DE COCINA	RANGO DE TEMP.	CARACTERÍSTICAS DIGITALES
PB PB1150G	1622mm x 1195mm x 940mm / 63,86" x 47" x 37"	84 kg / 185,19 lb	Principal - 4587,1 cm <sup>2</sup> / 711 pu. cu. Bandeja superior- 2883,9 cm <sup>2</sup> / 447 pu. cu. <b>TOTAL - 7471 cm<sup>2</sup> / 1158 pu. cu.</b>	82-260°C / 180-500°F	Diez preajustes de temperatura, ciclos de arranque y enfriamiento, sistema de ignición eléctrica

# PIEZAS DE REPUESTO DE LA BARBACOA PB1150G

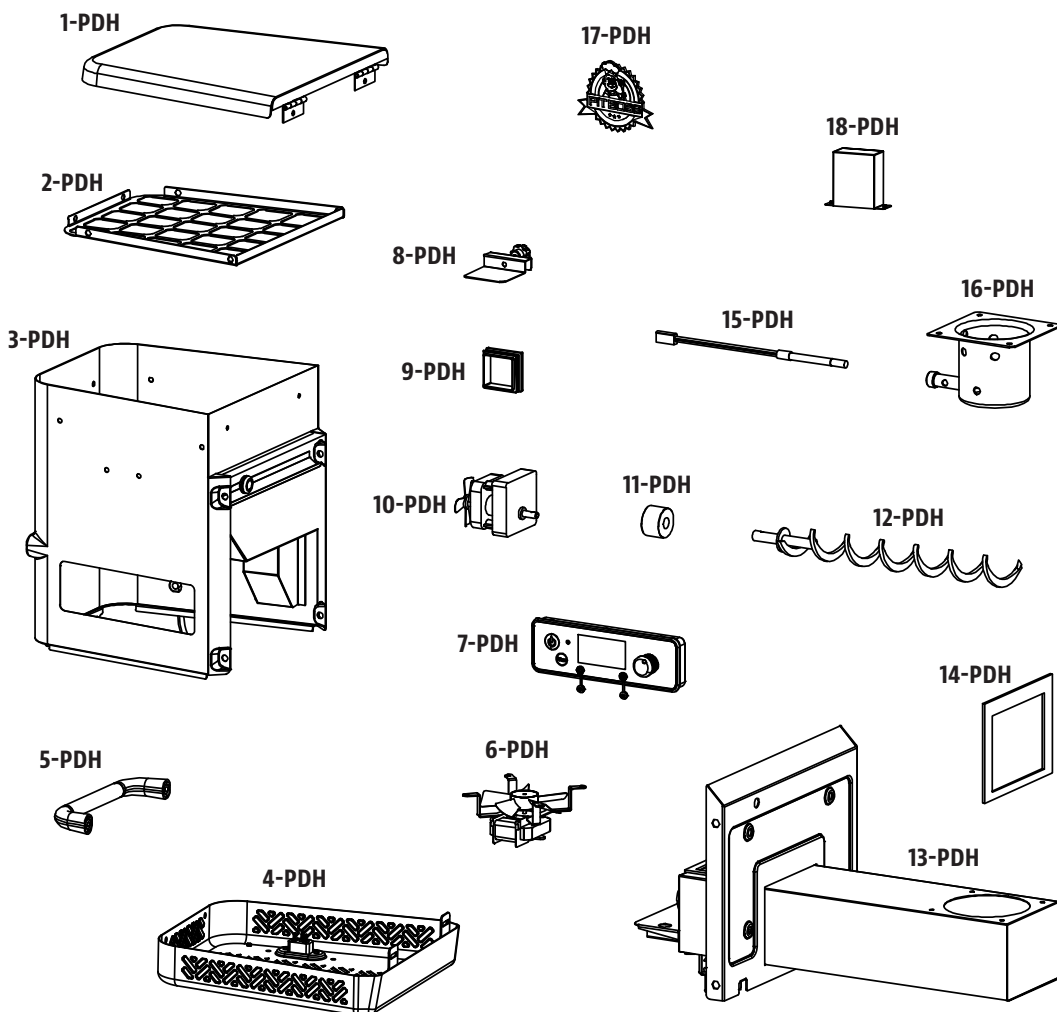


# PIEZAS DE REPUESTO DE LA TOLVA PB550G

N.º de referencia	Descripción
1-PDH	Tapa de la tolva (x1)
2-PDH	Pantalla de seguridad de la tolva (x1)
3-PDH	Carcasa de la tolva (x1)
4-PDH	Panel de acceso a la tolva (x1)
5-PDH	Asa de la tolva (x1)
6-PDH	Ventilador de combustión (x1)
7-PDH	Tablero de control de la Pit Boss® (x1)
8-PDH	Placa del vertedor (x1)
9-PDH	Tapa del vertedor (x1)

N.º de referencia	Descripción
10-PDH	Motor del alimentador de espiral (x1)
11-PDH	Casquillo de nylon (x1)
12-PDH	Conjunto de fuga de la tolva (x1)
13-PDH	Carcasa del alimentador de espiral (x1)
14-PDH	Junta de la carcasa de la tolva (x1)
15-PDH	Sistema de ignición (x1)
16-PDH	Chimenea (x1)
17-PDH	Placa de nombre (x1)
18-PDH	Cubierta impermeable para cable de alimentación (x1)

NOTA: debido a que el producto está en desarrollo constante, las piezas están sujetas a cambios sin aviso previo.

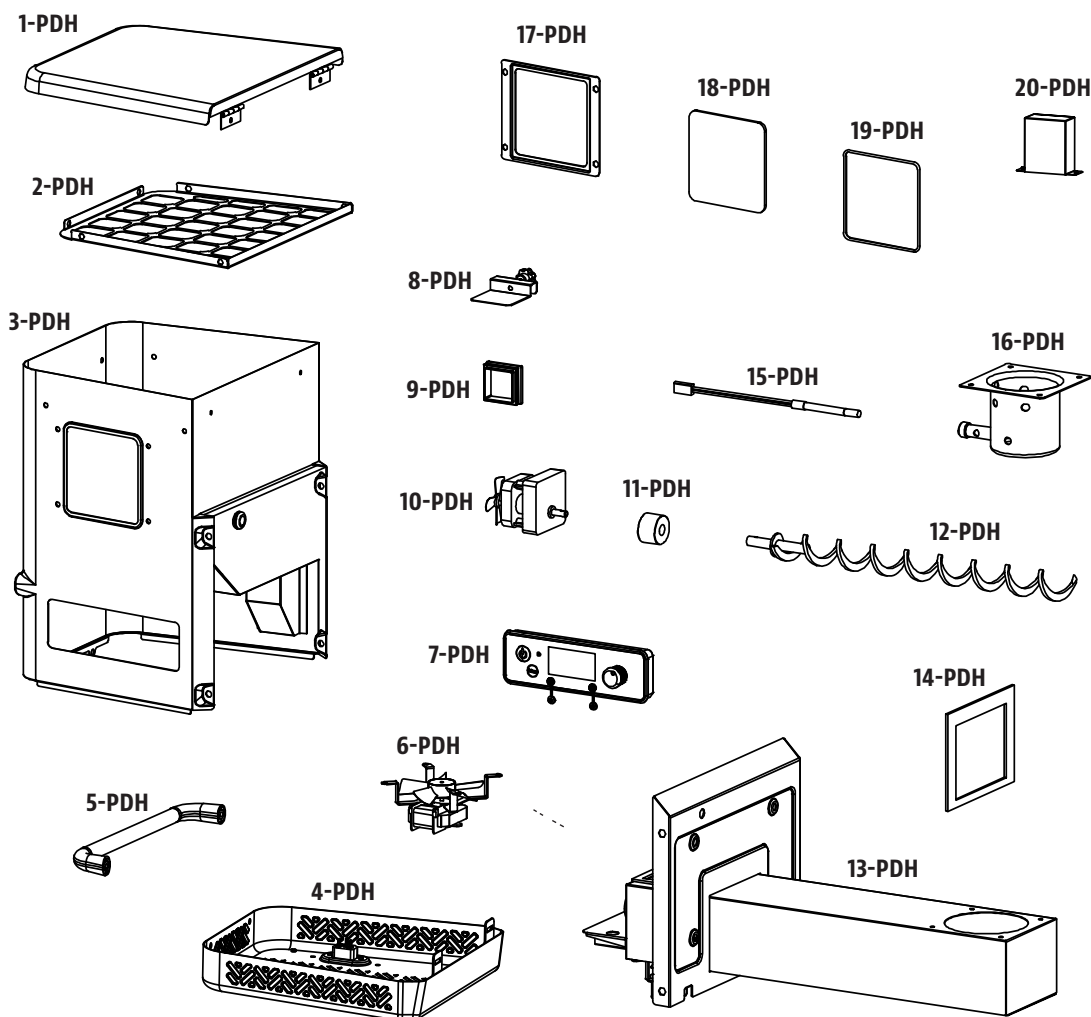


# PIEZAS DE REPUESTO DE LA TOLVA PB700G / PB850G / PB1150G

N.º de referencia	Descripción
1-PDH	Tapa de la tolva (x1)
2-PDH	Pantalla de seguridad de la tolva (x1)
3-PDH	Carcasa de la tolva (x1)
4-PDH	Panel de acceso a la tolva (x1)
5-PDH	Asa de la tolva (x1)
6-PDH	Ventilador de combustión (x1)
7-PDH	Tablero de control de la Pit Boss® (x1)
8-PDH	Placa del vertedor (x1)
9-PDH	Tapa del vertedor (x1)
10-PDH	Motor del alimentador de espiral (x1)

N.º de referencia	Descripción
11-PDH	Casquillo de nylon (x1)
12-PDH	Conjunto de fuga de la tolva (x1)
13-PDH	Carcasa del alimentador de espiral (x1)
14-PDH	Junta de la carcasa de la tolva (x1)
15-PDH	Sistema de ignición (x1)
16-PDH	Chimenea (x1)
17-PDH	Plato de vidrio (x1)
18-PDH	Vidrio (x1)
19-PDH	Sello de goma (x1)
20-PDH	Cubierta impermeable para cable de alimentación (x1)

NOTA: debido a que el producto está en desarrollo constante, las piezas están sujetas a cambios sin aviso previo.



# GARANTÍA

## CONDICIONES

Todas las barbacoas de pélets de madera de Pit Boss®, fabricadas por Dansons Inc., tienen una garantía limitada desde la fecha de venta del propietario original. La cobertura de la garantía comienza en la fecha de compra original y se exigirá un comprobante de la fecha de compra, o copia de la factura de venta original, para validar la garantía. Los clientes deberán hacerse cargo de los gastos de piezas, envíos y tramitación si no proporcionan prueba de la compra o bien después del vencimiento de la garantía.

Dansons ofrece cinco (5) años de garantía para defectos y fabricación en todas las piezas, y cinco (5) años para los componentes eléctricos. Dansons garantiza que la(s) pieza(s) no contienen defectos de material ni de fabricación por la duración del uso y propiedad del comprador original. La garantía no cubre daños por desgaste, como rasguños, abolladuras, imperfecciones, desconchados o pequeñas grietas cosméticas. Estos cambios estéticos de la barbacoa no afectan su rendimiento. La reparación o sustitución de cualquier pieza no se extiende más allá de la garantía limitada de cinco (5) años desde la fecha de compra.

Durante la vigencia de la garantía, la obligación de Dansons' se limitará a suministrar un recambio de los componentes defectuosos y/o averiados. Siempre y cuando esté dentro del período de garantía, Dansons' no cobrará la reparación o sustitución de piezas devueltas, flete prepagado, si Dansons' consiera que la(s) pieza(s) es/son defectuosa(s) tras examinarlas. Dansons' no será responsable de los gastos de transporte, costes de mano de obra o aranceles de exportación. Salvo en la medida de lo previsto en las presentes condiciones de garantía, la reparación o sustitución de piezas de la manera y durante el período de tiempo mencionado en el presente constituirá el cumplimiento de todas las obligaciones directas y derivadas de Dansons para con el cliente.

Dansons toma todas las precauciones necesarias para utilizar materiales que retrasen el óxido. Incluso con estas salvaguardias, diversas sustancias y condiciones fuera del control de Dansons' pueden poner en peligro las capas de protección. Las altas temperaturas, una humedad excesiva, el cloro, los gases industriales, fertilizantes, pesticidas para césped y sal son algunas de las sustancias que pueden afectar las capas que cubren el metal. Por estos motivos, la garantía no cubre el óxido ni la corrosión, a menos que se produzca pérdida de integridad estructural en el componente de la barbacoa. En el caso de producirse alguno de los incidentes anteriores, consulte la sección de cuidado y mantenimiento para prolongar la vida útil de la unidad. Dansons recomienda el uso de una cubiertas para barbacoas cuando no se esté utilizando.

Esta garantía se basa en el uso y servicio doméstico normal de la barbacoa y ninguna cobertura de garantía limitada es válida para una barbacoa que se use en aplicaciones comerciales.

## EXCEPCIONES

No hay garantía de rendimiento escrita o implícita para las barbacoas Pit Boss®, ya que el fabricante no tiene el control de la instalación, funcionamiento, limpieza, mantenimiento o el tipo de combustible empleado. Esta garantía no es válida ni Dansons asume la responsabilidad si el aparato no se ha instalado, manejado, limpiado y mantenido estrictamente de acuerdo con este manual del usuario. El uso de gas no descrito en este manual puede anular la garantía. La garantía no cubre daños o roturas debidas a uso indebido, manipulación incorrecta o modificaciones.

Ni Dansons ni el distribuidor autorizado de Pit Boss® acepta responsabilidad, jurídica o de otra índole, por el daño fortuito o consecuente de la propiedad o de las personas producido por el uso de este producto. Tanto si se realiza una reclamación contra Dansons basada en el incumplimiento de esta garantía o de cualquier otra clase de garantía expresa o implícita por ley, el fabricante en ningún caso será responsable de daños especiales, indirectos, consecuentes ni de ninguna otra índole por encima de la compra original de este producto. Todas las garantías del fabricante están contenidas en el presente y no se realizarán reclamaciones contra el fabricante por ninguna garantía o declaración.

Algunos estados y países no permiten la exclusión o la limitación de daños incidentales o consecuentes, o limitaciones de garantías implícitas, así que las limitaciones o exclusiones contenidas en la presente garantía limitada pueden no ser de aplicación para usted. Esta garantía limitada le otorga derechos legales específicos y es posible que le asistan otros derechos, que variarán de un estado a otro.



## PEDIDO DE PIEZAS DE REPUESTO

Para realizar pedidos de piezas de repuesto, póngase en contacto con su distribuidor local de Pit Boss® o visite nuestra tienda en línea en: [www.pitboss-grills.com](http://www.pitboss-grills.com)

## PÓNGASE EN CONTACTO CON ATENCIÓN AL CLIENTE

Si tiene cualquier duda o problema, póngase en contacto con la Atención al cliente, de lunes a viernes de 4 a 20 h. PST (EN/FR/ES).

[service@pitboss-grills.com](mailto:service@pitboss-grills.com) | Llamada gratuita: 1-877-303-3134 | Fax gratuito: 1-877-303-3135

## SERVICIO DE GARANTÍA

Póngase en contacto con su distribuidor de Pit Boss® más cercano para reparaciones o piezas de repuesto. Dansons Inc. exige una prueba de compra para establecer la reclamación de garantía; por lo tanto, conserve su resguardo o factura de ventas original para referencia futura. Encontrará el número de serie y modelo de la Pit Boss® en la parte posterior de la tolva. Tome nota de los números que se indican a continuación ya que la etiqueta puede desgastarse o volverse ilegible.

---

MODELO

---

NÚMERO DE SERIE

---

FECHA DE COMPRA

---

DISTRIBUIDOR AUTORIZADO

ES

ESPAÑOL

# SICHERHEITSHINWEISE

**DIE HAUPTURSACHEN FÜR GERÄTEBRÄNDE SIND UNGENÜGENDE WARTUNG UND DAS VERSÄUMNIS, DEN ERFORDERLICHEN MINDESTABSTAND ZU BRENNBAREN MATERIALIEN EINZUHALTEN. ES IST ÄUSSERST WICHTIG, DASS DIESES PRODUKT NUR ENTSPRECHEND DER FOLGENDEN ANWEISUNGEN VERWENDET WIRD.**

Bitte lesen Sie die gesamte Anleitung sorgfältig durch, bevor Sie damit beginnen, das Produkt aufzubauen, zu montieren oder zu benutzen. Dadurch stellen Sie sicher, dass Ihnen der neue Holzpelletgrill Freude bereitet und bei der Verwendung möglichst wenig Probleme auftreten. Wir empfehlen ebenfalls, diese Anleitung zur künftigen Verwendung aufzubewahren.

## GEFAHREN UND WARNHINWEISE

**Sie müssen sich an Ihre Hausvereinigung vor Ort, Ihren Gebäude- oder Brandbeauftragten oder die zuständige Behörde wenden, um die erforderlichen Genehmigungen, Anforderungen oder Informationen zu Installationsbeschränkungen wie das Aufstellen des Grills auf einer brennbaren Oberfläche, die Inspektionsanforderungen oder sogar die Einsatzmöglichkeit in Ihrer Region zu erhalten.**

1. Ein Mindestabstand von 914 mm (36 Zoll) von brennbaren Bauten zu den Seiten des Grills und von 914 mm (36 Zoll) von der Rückseite des Grills zu brennbaren Bauten muss eingehalten werden. **Bauen Sie das Gerät nicht auf brennbaren Böden auf, oder auf Böden, die mit brennbaren Oberflächen geschützt sind, es sei denn, Ihnen liegen von den zuständigen Behörden die ordnungsgemäßen Genehmigungen und Zulassungen vor.** Verwenden Sie dieses Gerät nicht in Gebäuden und abgeschlossenen, unbelüfteten Bereichen. Dieses Holzpelletgerät darf nicht unter einer Decke oder einem Überhang, die brennbar sind, aufgebaut werden. Stellen Sie den Grill in einem Bereich auf, der frei von brennbaren Materialien, Benzin und anderen entzündlichen Gasen und Flüssigkeiten ist.

**Wenn es zu einem Fettbrand kommt, drehen Sie den Grill AB und schließen Sie den Deckel, bis das Feuer erloschen ist. Ziehen Sie das Stromkabel aus der Steckdose. Schütten Sie kein Wasser auf das Gerät. Versuchen Sie nicht, das Feuer zu ersticken. Es ist hilfreich, einen für alle Klassen (Klassen ABC) zugelassenen Feuerlöscher in der Nähe zu haben. Wenn ein unkontrolliertes Feuer auftritt, rufen Sie die Feuerwehr.**

2. Halten Sie das Stromkabel und das Brennmaterial fern von heißen Oberflächen. Verwenden Sie den Grill nicht im Regen oder in der Nähe von Wasserquellen.
3. Wenn Sie Ihr Gerät eine Weile verstaut oder nicht verwendet haben, prüfen Sie, dass der Brennrost nicht verstopft ist, die Pelletkammer keine Fremdobjekte aufweist und die Luft im Ansaugbereich des Lüfters, um den Rauchabzug oder die rückseitigen Abgasöffnungen am Fass nicht blockiert wird. Vor Gebrauch reinigen. Zur Verlängerung der Lebensdauer des Geräts ist eine regelmäßige Pflege und Wartung erforderlich. **Wenn der Grill in der regnerischen Jahreszeit oder in Jahreszeiten mit hoher Feuchtigkeit im Außenbereich aufbewahrt wird, tragen Sie dafür Sorge, dass kein Wasser in die Pelletkammer eindringen kann.** Wenn Holzpellets nass werden oder starker Feuchtigkeit ausgesetzt sind, quellen sie stark auf, zersetzen sich und können das Zuführsystem blockieren. Ziehen Sie immer den Netzstecker, bevor Sie mit Instandhaltungs- oder Wartungstätigkeiten beginnen.

**Bewegen Sie den Grill nicht, wenn er heiß oder in Betrieb ist. Vergewissern Sie sich, dass das Feuer vollständig erloschen und der Grill kühl genug zum Anfassen ist, bevor Sie ihn bewegen.**

4. Es empfiehlt sich, bei der Bedienung des Grills hitzebeständige Grillhandschuhe zu tragen. Verwenden Sie keine Zubehörteile, die nicht ausdrücklich für die Verwendung mit diesem Gerät vorgesehen sind. Legen Sie in den Stauraum unter dem Grill weder die Grillabdeckung noch andere brennbare Gegenstände.
5. Damit keine Finger, Kleidung oder andere Gegenstände vom Zuführsystem der Förderschnecke erfasst werden, ist das Gerät mit einer Sicherheitsblende aus Metall versehen, die im Inneren der Pelletkammer angebracht ist. Diese Blende darf nicht entfernt werden, es sei denn auf Anweisung des Kundendienstes oder eines autorisierten Händlers.

**Dieses Gerät wird nicht empfohlen für Kinder, Personen mit eingeschränkten physischen, sensorischen oder mentalen Fähigkeiten oder Personen, denen es an Erfahrung und Wissen mangelt, es sei denn unter direkter Aufsicht oder nach Einweisung in die Funktionsweise dieses Geräts durch einen Sicherheitsverantwortlichen.**

6. Teile des Grills können sehr heiß werden und ernsthafte Verletzungen verursachen. Halten Sie kleine Kinder und Haustiere auf Abstand, wenn das Gerät in Gebrauch ist.
7. Vergrößern Sie nicht die Zündlöcher oder Brenntöpfe. Die Nichtbeachtung dieser Warnung kann Brandgefahr und Verletzungen verursachen und führt zum Erlöschen der Garantie.
8. Das Produkt kann scharfe Kanten oder spitze Ecken haben. Dies kann beim Anfassen zu Verletzungen führen. Vorsichtig handhaben.

## ENTSORGUNG DER ASCHEN

Asche sollte in einen Metallbehälter mit fest schließendem Deckel gefüllt werden. Der verschlossene Aschebehälter sollte bis zu seiner abschließenden Entsorgung auf einem nicht entzündlichen Boden abgestellt werden, in ausreichendem Abstand zu brennbaren Materialien. Wenn Asche zur Entsorgung unter die Erde gehoben oder anderweitig ausgestreut wird, sollten Sie sie bis zum endgültigen Erkalten aller Glutreste in einem geschlossenen Behälter verwahren.

## HOLZPELLET-BRENNSTOFF

Dieses Pellet-Gargerät wurde nur für die Verwendung mit 100-prozentig naturbelassenem, zu Pellets geformtem Holz konzipiert und genehmigt. Werden andere Brennstoffe mit diesem Gerät verwendet, erlöschen die Garantie und Sicherheitszulassung. Sie dürfen nur 100-prozentig naturbelassene Pellets verwenden, die zum Befeuern von Pelletgrills hergestellt wurden. Verwenden Sie keinen Brennstoff mit Zusätzen. Holzpellets sind äußerst empfindlich gegenüber Feuchtigkeit und sollten immer in einem luftdichten Behälter aufbewahrt werden. Wenn Sie Ihren Grill für einen längeren Zeitraum nicht nutzen und verstauen, empfehlen wir, alle Pellets aus der Pelletkammer und der Förderschnecke zu entfernen, um ein Verstopfen zu vermeiden.

**Verwenden Sie niemals Spiritus, Benzin, Feuerzeugbenzin oder Kerosin, um das Feuer in Ihrem Grill zu entzünden oder anzufachen. Bewahren Sie diese Flüssigkeiten in sicherem Abstand von dem Gerät auf, wenn es in Gebrauch ist.**

Zum Druckzeitpunkt besteht keine Industrienorm für Grill-Holzpellets. Allerdings verwenden die meisten Pelletmühlen die gleichen Standards, um Holzpellets für den Privatgebrauch herzustellen. Weitere Informationen erhalten Sie bei [www.pelletheat.org](http://www.pelletheat.org) oder dem **Pellet Fuel Institute** (Brennstoff-Pellet-Institut).

Wenden Sie sich bezüglich der Pelletqualität in Ihrer Region und Informationen zur Markenqualität an Ihren Händler vor Ort. Da es keine Qualitätskontrolle für die verwendeten Pellets gibt, übernehmen wir keine Verantwortung für Schäden, die durch schlechte Brennstoffqualität verursacht wurden.

## KREOSOT

Kreosot (oder Sott) ist eine teerähnliche Substanz. Bei der Verbrennung entstehen schwarze Dämpfe mit einem Rückstand, der ebenfalls schwarze Farbe hat. Sott oder Kreosot bildet sich, wenn das Gerät falsch bedient wird, wie zum Beispiel, wenn: der Verbrennungslüfter blockiert ist, der Brennbereich nicht gereinigt oder gewartet wurde, die Pellets feucht geworden sind, eine schlechte Luft-zu-Kraftstoff-Verbrennung stattfindet.

Es ist gefährlich, das Gerät zu verwenden, wenn die Flamme dunkel oder rußig wird oder der Brenntopf mit zu vielen Pellets befüllt ist. Bei Entzündung verursacht das Kreosot ein äußerst heißes und unkontrolliertes Feuer, ähnlich einem Fettbrand. Sollte es zu einem Brand kommen, schalten Sie das Gerät AB, lassen Sie es vollständig abkühlen und überprüfen Sie es hinsichtlich einer Wartung und Reinigung. Kreosot sammelt sich üblicherweise entlang des Abzugs an.

Wenn sich im Gerät Kreosot abgelagert hat, wärmen Sie es bei niedriger Temperatur auf, schalten es aus und wischen alle Rückstände mit einem Handtuch ab. Ähnlich wie Teer ist Kreosot deutlich einfacher zu entfernen, wenn es warm ist, da es dann flüssig wird.

## KOHLENMONOXID („DER LEISE KILLER“)

Kohlenmonoxid ist ein farb-, geruchs- und geschmacksloses Gas, das bei der Verbrennung von Gas, Holz, Propangas, Kohle und anderen Brennstoffen entsteht. Es verringert die Fähigkeit des Bluts, Sauerstoff zu transportieren. Ein niedriges Sauerstoffniveau kann zu Kopfschmerzen, Schwindel, Schwäche, Übelkeit, Erbrechen, Müdigkeit, Verwirrung, Bewusstseinsverlust und dem Tod führen. Befolgen Sie diese Richtlinien, um zu verhindern, dass dieses farb- und geruchslose Gas bei Ihnen, Ihrer Familie und anderen zu einer Kohlenmonoxid-Vergiftung führt.

- Suchen Sie einen Arzt auf, wenn Sie oder andere erkältungs- oder grippeähnliche Symptome beim Grillen oder Räuchern oder in der Nähe des Geräts entwickeln. Eine Kohlenmonoxid-Vergiftung, die leicht mit einer Erkältung oder Grippe verwechselt werden kann, wird oftmals zu spät entdeckt.
- Alkohol- und Drogenkonsum verstärkt die Effekte einer Kohlenmonoxid-Vergiftung.

Kohlenmonoxid gefährdet insbesondere Mutter und Kind während der Schwangerschaft, Kleinkinder, ältere Menschen, Raucher und Menschen mit Herz-Kreislauf-Problemen wie Anämie oder Herzerkrankungen.

## SICHERHEITSKENNZEICHNUNG

Entspricht EN 60335-2-102:2016, EN 60335-1:2012 + A11:2014 + A13:2017 + A1: 2021 + A14: 2021 + A2: 2021, EN62233: 2008, EN 55014-1:2017, EN 61000-3-2:2014, EN 61000-3-3:2013, EN 55014-2:2015.



DE

DEUTSCHE



### URHEBERRECHTSHINWEIS

Copyright 2021. Alle Rechte vorbehalten. Kein Teil dieser Anleitung darf in keiner erdenklichen Form oder Weise kopiert, übertragen oder transkribiert werden, ohne die ausdrückliche schriftliche Zustimmung von

#### **Dansons**

3411 North 5th Avenue, Suite 500, Phoenix, AZ, USA 85013  
sales@pitboss-grills.com | service@pitboss-grills.com  
**www.pitboss-grills.com**

#### **Kundenservice**

Montag bis Sonntag, 4 – 20 Uhr PST (EN/FR/ES)  
**Gebührenfreie Hotline: +1-877-303-3134,**  
**Gebührenfreies Fax: +1-877-303-3135**

# INHALTSVERZEICHNIS

Sicherheitshinweise.....	82	Ersatzteile	
Bedienungsanleitung		PB550G Grillersatzteile .....	97
Grillumgebung .....	86	PB700G Grillersatzteile .....	99
Grilltemperaturbereiche .....	87	PB850G Grillersatzteile .....	101
Das Steuerpanel verstehen .....	87	PB1150G Grillersatzteile .....	103
Funktionsweise des Messfühlers.....	88	PB550G Pelletkammer-Ersatzteile.....	105
Die „P“-Einstellung verstehen .....	89	PB700G / PB850G / PB1150G Pelletkammer-Ersatzteile.....	106
Initialisierung der Pelletkammer.....	89	Garantie	
Erste Verwendung – Einbrennen des Grills .....	89	Bedingungen.....	107
Automatisches Starten .....	90	Ausnahmen.....	107
Manuelles Starten.....	90	Ersatzteile bestellen .....	108
Den Grill ausstellen .....	90	Den Kundendienst kontaktieren .....	108
Pflege und Wartung.....	91	Garantieservice .....	108
Tipps und Techniken.....	93		
Fehlerbehebung .....	94		
Schaltplan .....	96		

# BEDIENUNGSANLEITUNG

Nach dem heutigen Lebensstil wird eine gesunde und vollwertige Ernährung angestrebt. Ein Faktor, den es hierbei zu beachten gilt, ist die Reduzierung der Fettaufnahme. Einer der besten Wege, um bei der Ernährung Fett zu reduzieren, ist, ein fettarmes Garverfahren wie das Grillen zu wählen. Da beim Pelletgrill naturbelassene Holzpellets zum Einsatz kommen, nimmt das Fleisch beim Garvorgang eine aromatische Holznote an. Dadurch werden weniger Soßen mit hohem Zuckergehalt benötigt. In der gesamten Anleitung liegt die Betonung auf einem langsamen Garen bei NIEDRIGEN oder MITTLEREN Temperaturen, wie Sie feststellen werden.

## GRILLUMGEBUNG

### 1. AUFSTELLEN DES GRILLS

Wie bei allen Geräten für den Außenbereich spielt das Wetter eine wichtige Rolle bei der Grill-/Räucherleistung des Geräts und der Garzeit, die zur Zubereitung der Mahlzeit notwendig ist.

Alle Pit Boss® Geräte sollten in einem Mindestabstand von 914 mm (36 Inch) von brennbaren Bauten aufgestellt werden und dieser Mindestabstand muss während des gesamten Gebrauchs eingehalten werden. Dieses Gerät darf nicht unter einer brennbaren Decke oder einem brennbaren Vorsprung aufgebaut werden. Stellen Sie den Grill in einem Bereich auf, der frei von brennbaren Materialien, Benzin und anderen entzündlichen Gasen und Flüssigkeiten ist.

### 2. GAREN BEI KALTEM WETTER

Wenn es draußen kälter wird, heißt das nicht, dass die Grillsaison beendet ist! Die frische kalte Luft und der vorzügliche Duft nach geräuchertem Essen werden Ihnen dabei helfen, den Winter-Blues zu überwinden.

Beachten Sie diese Empfehlungen und Sie werden während der kälteren Monate Freude an Ihrem Grill haben:

- Wenn das Räuchern bei geringen Temperaturen nicht gelingt, erhöhen Sie die Temperatur leicht, damit Sie dieselben Ergebnisse erzielen.
- Seien Sie gut organisiert: Bereiten Sie alles, was Sie benötigen, in der Küche vor, bevor Sie nach draußen gehen. Verlegen Sie Ihren Grillplatz im Winter an einen windgeschützten Ort, wo Sie nicht in der direkten Kälte stehen. Überprüfen Sie die kommunalen Verordnungen hinsichtlich des Abstands zwischen Grill und/oder anderen Bauten. Stellen Sie alles auf ein Tablett, ziehen Sie sich warm an und machen Sie sich ans Werk!
- Um die Außentemperatur zu verfolgen, hängen Sie ein Außenthermometer in der Nähe des Grillbereichs auf. Führen Sie Buch darüber, was Sie zubereiten, über die Außentemperatur und die Garzeit. Das hilft Ihnen zu einem späteren Zeitpunkt bei der Entscheidung, was Sie grillen oder räuchern und wie lange Sie dafür veranschlagen müssen.
- Wenn das Wetter sehr kalt ist, verlängern Sie die Vorheizzeit um mindestens 20 Minuten.
- Vermeiden Sie es, den Deckel häufiger als notwendig anzuheben. Kalte Windböen können die Temperatur des Grills komplett herunterkühlen. Halten Sie den Servierzeitpunkt flexibel; addieren Sie jedes Mal zusätzliche Garzeit, wenn Sie den Deckel öffnen.
- Stellen Sie eine warme Servierplatte bereit oder decken Sie den Teller ab, um das Essen warm zu halten, während Sie zurück ins Haus gehen.
- Ideale Gerichte für winterliches Kochen erfordern wenig Aufmerksamkeit wie ein Braten, ganze Hähnchen, Rippchen und Truthahn. Vereinfachen Sie die Zubereitung des Essens weiter, indem Sie einfache Dinge wie Gemüse und Kartoffeln dazu servieren.

### 3. GAREN BEI HEISSEM WETTER

Wenn es draußen wärmer wird, verringert sich die Garzeit.

Halten Sie sich an diese Empfehlungen und Sie werden während der heißen Monate Freude an Ihrem Grill haben:

- Passen Sie Ihre Kochtemperatur nach unten an. Dadurch können Sie ein unerwünschtes Aufflammen vermeiden.
- Verwenden Sie ein Fleischthermometer, um die Kerntemperatur des Essens zu bestimmen. Dadurch können Sie das Fleisch vor zu langem Garen und Austrocknen bewahren.
- Auch bei heißem Wetter ist es besser, mit geschlossenem Grilldeckel zu garen.
- Sie können das Grillgut warm halten, indem Sie es in Folie wickeln und in einer isolierten Kühltasche aufbewahren. Stopfen den Platz um die Folie mit zusammengeknüllter Zeitung aus und Ihr Essen wird 3 bis 4 Stunden warm bleiben.

## GRILLTEMPERATURBEREICHE

Die Temperaturanzeige auf dem Steuerpanel stimmt möglicherweise nicht exakt mit dem Thermometer überein. Alle unten aufgeführten Temperaturangaben gelten ungefähr und werden von den folgenden Faktoren beeinflusst: der Umwelttemperatur außen, der Windstärke und -richtung, der Qualität des verwendeten Pelletbrennstoffs, dem Öffnen des Deckels und der Menge des Essens, das gegart wird.

- **HOHE TEMPERATUR (205-260 °C / 401-500 °F)**

Dieser Bereich eignet sich am besten, um bei hoher Hitze scharf anzubraten und zu grillen. Nutzen Sie ihn zusammen mit der Feuerpfanne (Schieber), um bei indirekter oder direkter Flamme zu grillen. Wenn die **Feuerpfanne offen** ist, verwendet man die direkte Flamme, um über ihr die Steaks „blue rare“ zuzubereiten, sowie vom Feuer geküsstes Gemüse, Knoblauchbrot oder S'Mores! Wenn die **Feuerpfanne geschlossen ist**, zirkuliert die Luft durch das Fass, wodurch Konvektionswärme entsteht. Hohe Temperaturen werden auch zum Vorheizen des Grills, Abbrennen der Garroste und zum Erreichen großer Hitze bei äußerst kalten Wetterbedingungen verwendet.

- **MITTLERE TEMPERATUR (135-180 °C / 275-356 °F)**

Dieser Bereich ist am besten zum Backen, Rösten und Finishing von langsam geräucherten Kreationen geeignet. Garen bei diesen Temperaturen reduziert die Wahrscheinlichkeit eines Fettbrandes stark. Vergewissern Sie sich, dass sich der Feuerpfannenschieber in der geschlossenen Position befindet und die Schlitzöffnungen abdeckt sind. Ein hervorragender Temperaturbereich, um in Bacon gewickelte Speisen zu garen oder wenn Sie auf Vielseitigkeit und Kontrolle Wert legen.

- **NIEDRIGE TEMPERATUR (82-125 °C / 180-257 °F)**

Dieser Bereich ist für das langsame Rösten, das Intensivieren des Raucharomas und das Warmhalten von Speisen geeignet. Sie erhalten ein stärkeres Raucharoma und saftiges Fleisch, wenn Sie es länger aber bei niedrigeren Temperaturen garen (auch bekannt als **low and slow**). Empfohlen für den großen Truthahn an Thanksgiving, den Schweinebraten zu Ostern oder das große Festmahl in der Winterferienzeit.

Räuchern ist eine Variation des echten Grillens und ist der größte Vorteil, den Ihnen das Grillen auf einem Holzpelletgrill bietet. **Heißes Räuchern**, ein anderer Name für „**low and slow**“-Garen, erfolgt am besten zwischen 82-125 °C / 180-257 °F. Das beste Ergebnis erzielen Sie bei einem großen Stück Fleisch, Fisch oder Geflügel, das lange Garzeiten erfordert.

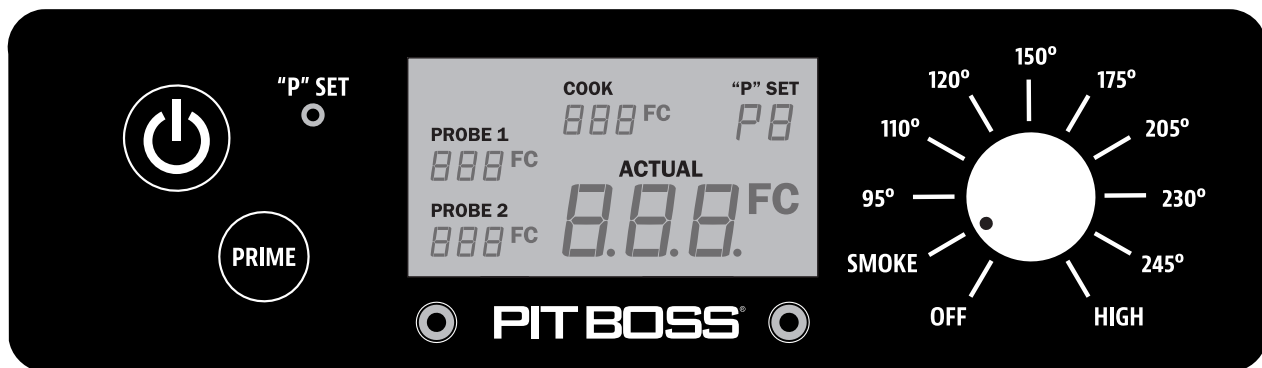
**TIPP: Um das würzige Aroma zu intensivieren, schalten Sie sofort, nachdem Sie das Grillgut auf den Grill gelegt haben, auf den SMOKE-Temperaturbereich (niedrig). So kann der Rauch das Fleisch gut durchdringen.**



Entscheidend ist, dass Sie mit der Länge der Zeit experimentieren, die Sie das Grillgut räuchern lassen, bevor das Essen fertig ist. Einige Grillmeister ziehen es vor, am Ende des Garens zu räuchern, so dass das Essen bis zum Servieren warm bleibt. Übung macht den Meister!

DE

DEUTSCHE

## DAS STEUERPANEL VERSTEHEN



STEUERUNG	BESCHREIBUNG
	Drücken Sie den <b>Ein-/Aus-Knopf</b> , um das Gerät einzuschalten. Der Knopf leuchtet blau, wenn das Gerät mit einer Stromquelle verbunden ist. Drücken Sie den Knopf ein weiteres Mal, um das Gerät auszuschalten.
	Mit dem <b>Temperaturregler</b> können Sie die gewünschte Räuchertemperatur einstellen. Nachdem Sie das Gerät mit einer Stromquelle verbunden und den Ein-/Aus-Knopf gedrückt haben, drehen Sie den Regler und wählen Sie eine der zehn Temperaturstufen, zwischen 82 °C und 260 °C beziehungsweise 180 °F und 500 °F. Wenn Sie den Regler auf eine Temperaturstufe gestellt haben, schaltet sich der digitale LCD-Bildschirm an und zeigt an, dass er betriebsbereit ist. Wenn der Regler ausgestellt ist, bleibt der digitale LCD-Bildschirm ausgeschaltet.

„P“ SET

Mit dem „**P**“-Set-Knopf wählen Sie, wenn der Temperaturregler auf „Smoke“ steht, eine der acht Feineinstellungen. Drücken Sie den Knopf, um die „P“-Einstellung zu ändern und, wie Sie möchten, Ihrem Garstil und der Garumgebung Rechnung zu tragen. Mit einem kurzen Druck des Knopfs erhöhen Sie die Einstellung von P0 bis zu P7, dann wiederholt sich das Ganze. Anpassungen sind nur in der Smoke-Einstellung möglich. Der Standardwert ist „P4“. Wenn Sie die „P“-Einstellung anpassen, werden Ihre Präferenzen gespeichert, bis Sie weitere Anpassungen vornehmen.

Der „**P**“-Set-Knopf wird auch als **Temperaturanzeigeregler** verwendet, um die Temperaturanzeige auf dem LCD-Bildschirm zu ändern. Halten Sie den Knopf für zwei Sekunden gedrückt, um nach Wunsch zu Celsius (°C) oder Fahrenheit (°F) zu wechseln. Die Standardeinstellung ist Celsius.



Der **LCD-Bildschirm** ist das Informationszentrum Ihrer Einheit. Er zeigt die „gewünschte Gartemperatur“, die „tatsächliche Gartemperatur“ und die „Fleischthermometertemperatur“ (wenn verbunden) an. Wenn nur ein Fleischthermometer verbunden ist, wird nur ein Messwert angezeigt.

PRIME

Halten Sie den „**Prime**“-Knopf gedrückt, um dem Feuertopf eine zusätzliche Ladung Pellets zuzuführen. Verwenden Sie dies Funktion, um dem Feuer mehr Brennstoff zuzuführen, bevor der Fassdeckel geöffnet wird, dadurch erreichen Sie eine schnelle Wiederaufheizzeit. Sie kann auch während des Räucherns genutzt werden, um die Intensität des reinen Raucharomas zu erhöhen. Wurde von Wettbewerbs-Grillmeistern gefordert.

SMOKE

Die „**Smoke**“-Einstellung des Temperaturreglers ist der Startmodus des Geräts. Der Grill arbeitet auf der geringsten Temperatur, ohne dass das Feuer ausgeht.



Der/die Steckverbindungsporthaken auf der Vorderseite des Steuerpanels sind für einen/zwei **Fleischthermometerfühler** vorgesehen. Wenn ein Fleischthermometerfühler verbunden ist, wird die Temperatur auf dem LCD-Bildschirm angezeigt. Trennen Sie den Fleischthermometerfühler, wenn er nicht verwendet wird. *Nur kompatibel mit Fleischthermometerfühler der Marke Pit Boss®. Zusätzliche Fleischthermometerfühler können einzeln erworben werden.*



## DIE MESSFÜHLER VERSTEHEN

### • TEMPERATUR-FÜHLER

Im Hauptfass an der linken Wand sitzt der Temperaturfühler. Er ist ein kleines vertikales Stück aus rostfreiem Stahl. Der Temperaturfühler misst die interne Gerätetemperatur. Wenn die Temperatur am Steuerpanel geändert wird, wird der Temperaturfühler die tatsächliche Innentemperatur des Geräts messen und auf die gewünschte Temperatur regeln.

**WICHTIG: Die Gerätetemperatur wird stark vom umgebenden Wetter draußen, der verwendeten Pelletqualität, dem Pelletaroma und der Menge des aufgelegten Garguts beeinflusst.**

### • FLEISCHTEMPERATURFÜHLER

Der Fleischthermometerfühler misst die Kerntemperatur des Fleisches im Grill, ähnlich wie bei Ihrem Ofen im Haus. Verbinden Sie den Adapter für den Fleischthermometerfühler mit dem entsprechenden Verbindungsport auf dem Steuerpanel und stecken Sie den Fleischthermometerfühler aus Edelstahl in die dickste Stelle des Fleisches. Die Temperatur wird dann auf den Steuerpanel angezeigt. **Um sicherzugehen, dass der Fleischthermometerfühler richtig mit dem Port verbunden ist, fühlen und hören Sie, wie er einrastet.**

**HINWEIS: Wenn Sie den Fleischthermometerfühler ins Fleisch stecken, achten Sie darauf, dass der Fühler und sein Kabel in keinen direkten Kontakt mit dem Feuer oder übermäßiger Hitze kommen. Der Fleischthermometerfühler kann sonst Schaden nehmen. Führen Sie das überflüssige Kabel aus der rückseitigen Abgasöffnung des Hauptgrills oder der Oberseite des Hauptgrills (in der Nähe des Scharniers des Grilldeckels) heraus. Wenn der Fleischthermometerfühler nicht verwendet wird, trennen Sie ihn vom Verbindungsport und legen Sie ihn beiseite; so ist er geschützt und bleibt sauber.**



## DIE „P“-EINSTELLUNG VERSTEHEN

Wenn sie den versenkten „P“-Set-Knopf drücken, wird die angezeigte „P“-Einstellung auf dem LCD-Bildschirm aufleuchten und zum nächsten Wert (aufwärts) springen. Wenn Sie P7 erreicht haben, wird erneut bei P0 begonnen. Es gibt acht „P“-Einstellungen, von P0 bis P7. Nehmen Sie einen Gegenstand mit dünner Spitze zur Hand, um den versenkten „P“-Set-Knopf zu drücken.

**WICHTIG: Setzen Sie nicht zu viel Kraft ein, wenn Sie den „P“-Set-Knopf drücken, das kann zu Schäden führen. Es ist nur ein leichter Druck notwendig.**

- **VERWENDUNG DER „P“-EINSTELLUNG IM „SMOKE“-MODUS**

Wenn Sie den Temperaturregler auf SMOKE stellen, wie beim Startzyklus, wird die Förderschnecke stärker in einem manuellen Garmodus betrieben als das bei Verwendung der Temperaturstufen der Fall ist. Zuerst wird sich die Förderschnecke fortlaufend drehen und vier Minuten lang Pellets zuführen. Nach vier Minuten läuft die Förderschnecke nach dem auf der „P“-Einstellung basierenden Zuführzyklus, der über das digitale Steuerpanel angewählt wird. Die Standardeinstellung ist P4.

„P“- EINSTELLUNG	FÖRDERSCHE- CKENZYKLUS (Sekunden)	
	AN	AUS
P0	18	55
P1	18	70
P2	18	85
P3	18	100
<b>*P4</b>	<b>18</b>	<b>115</b>
P5	18	130
P6	18	140
P7	18	150

**\* Standardeinstellung**

## INITIALISIERUNGSVERFAHREN PELLETKAMMER

Diese Anweisungen sollten bei der ersten Zündung des Grills befolgt werden sowie jedes Mal, wenn die Pelletkammer leerläuft. Die Förderschnecke muss initialisiert werden, damit Pellets durch die Länge der Förderschnecke wandern, und der Feuertopf gefüllt wird.

**Wenn keine Initialisierung durchgeführt wird, wird der Zündungstimer ablaufen, bevor die Pellets angezündet sind, und es kommt kein Feuer in Gang.** Befolgen Sie diese Schritte zum Initialisieren der Pelletkammer:

1. Öffnen Sie den Deckel der Pelletkammer. Vergewissern Sie sich, dass sich in der Pelletkammer keine Fremdoobjekte befinden beziehungsweise keine Fremdoobjekte das Zuführsystem der Förderschnecke unten blockieren.
2. Entfernen Sie alle Garkomponenten aus dem Inneren des Grills. Suchen Sie den Feuertopf unten im Hauptfass.
3. Verbinden Sie das Netzkabel mit der Stromversorgung. Drücken Sie den **Ein-/Aus-Knopf**, um das Gerät einzuschalten, und drehen Sie den **Temperaturregler** auf die SMOKE-Position. Überprüfen Sie die folgenden Punkte:
  - Hören Sie, wie sich die Förderschnecke dreht? Halten Sie Ihre Hand über den Feuertopf und fühlen Sie den Luftstrom. Fassen Sie nicht mit der Hand oder den Fingern in den Feuertopf. Sie können sich verletzen.
  - Nach ungefähr einer Minute sollten Sie riechen, wie der Anzünder brennt, und fühlen, wie sich die Luft im Feuertopf erwärmt. Die Zündspitze glüht nicht rot, wird aber äußerst heiß und verursacht Verbrennungen. Berühren Sie den Anzünder nicht.
4. Wenn Sie geprüft haben, dass alle elektrischen Komponenten korrekt arbeiten, drücken Sie den **Ein-/Aus-Knopf**, um das Gerät abzuschalten.
5. Füllen Sie die Pelletkammer mit 100-prozentig naturbelassenen Holzpellets.
6. Drücken Sie den **Ein-/Aus-Knopf**, um das Gerät anzuschalten. Lassen Sie den **Temperaturregler** in der SMOKE-Position. Halten Sie den **„Prime“-Knopf** gedrückt, bis Sie im Inneren des Grills (aus dem Schneckenrog) Pellets sehen. Sobald die Pellet anfangen, in den Feuertopf zu fallen, lassen Sie den **„Prime“-Knopf** los.
7. Drücken Sie den **Ein-/Aus-Knopf**, um das Gerät auszuschalten.
8. Setzen Sie die Garkomponenten wieder in das Hauptfass ein. Der Grill ist nun betriebsbereit. (Beachten Sie die **Montageanleitung**, damit Sie die Garkomponenten richtig einsetzen.)

## ERSTE VERWENDUNG – AUSBRENNEN DES GRILLS

Wenn Sie die Pelletkammer initialisiert haben, ist es wichtig, dass Sie den Grill vollständig ausbrennen, bevor Sie zum ersten Mal Speisen mit ihm zubereiten. Starten Sie den Grill und lassen Sie ihn für 30 bis 40 Minuten bei Temperaturen über 176 °C / 350 °F (mit geschlossenem Deckel) brennen, um den Grill auszubrennen und alles Fremdmaterial loszuwerden.

## AUTOMATISCHER START

1. Verbinden Sie das Netzkabel mit einer geerdeten Stromversorgung. Öffnen Sie den Deckel am Hauptfass. Prüfen Sie den Feuertopf und stellen Sie sicher, dass kein Hindernis eine korrekte Zündung verhindert. Öffnen Sie den Deckel der Pelletkammer. Sorgen Sie dafür, dass sich keine Fremdobjekte in der Pelletkammer oder im Zuführsystem zur Förderschnecke befinden. Füllen Sie die Pelletkammer mit trockenen, 100-prozentig naturbelassenen Hartholzpellets zum Grillen.
2. Achten Sie darauf, dass sich der **Temperaturregler** in der SMOKE-Position befindet. Drücken Sie den **Ein-/Aus-Knopf**, um das Gerät anzuschalten. Dadurch wird der Startzyklus aktiviert. Das Zuführsystem der Förderschnecke beginnt sich zu drehen, der Anzünder fängt an zu glühen und der Lüfter wird den Feuertopf mit Luft versorgen. Der Grill beginnt, Rauch zu produzieren, während der Startzyklus abläuft. Der Fassadeckel muss während des Startzyklus offen bleiben. Zur Bestätigung, dass der Startzyklus richtig gestartet hat, warten Sie auf ein flackerndes Röhren und achten Sie auf die Hitze, die produziert wird.
3. Sobald sich der schwere weiße Rauch verzogen hat, ist der Startzyklus abgeschlossen und Sie können den Grill auf der gewünschten Temperatur nutzen.

## VORGEHEN BEI ZÜNDUNGSFEHLER

**Wenn der elektrische Anzünder versagt oder die Grillflamme während des Garens ausgeht, gehen Sie die folgenden Schritte durch, oder starten Sie den Grill manuell.**

1. Vergewissern Sie sich, dass der **Temperaturregler** ausgeschaltet ist und sich in der SMOKE-Position befindet. Öffnen Sie den Fassadeckel. Nehmen Sie alle Garkomponenten aus dem Inneren heraus. Entfernen Sie alle nicht verbrannten Pellets und die gesamte Asche aus dem Feuertopf. Fassen Sie den Anzünder nicht an, damit Sie sich nicht verletzen, da er sehr heiß wird.
2. Wenn alle Garkomponenten herausgenommen und gesäubert sind, drücken Sie den **Ein-/Aus-Knopf**, um das Gerät anzuschalten. Prüfen Sie Folgendes:
  - Stellen Sie sicher, dass der Anzünder funktioniert, indem Sie Ihre Hand über den Feuertopf halten und die Hitze fühlen.
  - Überprüfen Sie visuell, dass der Anzünder circa 13 mm / 0,5 Inch in den Feuertopf hineinragt.
  - Überzeugen Sie sich visuell, dass Pellets über die Förderschnecke in den Feuertopf fallen.
  - Vergewissern Sie sich, dass der Verbrennungslüfter arbeitet, indem Sie prüfen, ob Sie sein flackerndes Röhren hören.
3. Wenn einer der oben aufgeführten Punkte nicht ordnungsgemäß funktioniert, befolgen Sie die Anweisungen zur **Fehlerbehebung**.

## MANUELLER START

1. Stellen Sie sicher, dass sich der **Temperaturregler** in der **SMOKE**-Position befindet. Verbinden Sie das Netzkabel mit einer geerdeten Stromversorgung.
2. Prüfen Sie den Feuertopf und vergewissern Sie sich, dass es kein Hindernis für eine richtige Zündung gibt. Open the hopper lid. Ensure there are no foreign objects in the hopper or auger feed system. Füllen Sie die Pelletkammer mit trockenen, 100-prozentig naturbelassenen Hartholzpellets zum Grillen.
3. Öffnen Sie den Fassadeckel. Entfernen Sie die Garkomponenten, um an den Feuertopf zu kommen. Geben Sie eine gute Handvoll Pellets in den Feuertopf. Spritzen Sie einen gelförmigen Feueranzünder oder einen anderen geeigneten Pelletanzünder über die Pellets. Eine geringe Menge eines festen Feueranzünders (wie beispielsweise aus Sägemehl und Wachs oder Sagespänen) ist ebenfalls geeignet. Geben Sie zusätzlich eine kleine Menge Pellets in den Feuertopf.

**HINWEIS: Verwenden Sie niemals Spiritus, Benzin, Feuerzeugbenzin oder Kerosin, um das Feuer in Ihrem Grill zu entzünden oder anzufachen.**

4. Zünden Sie den Inhalt des Feuertopfs mit einem langen Streichholz oder einem Stabfeuerzeug an. Lassen Sie den Anzünder 3 bis 5 Minuten brennen. Versuchen Sie nicht, weiteren Anzünder in den Feuertopf zu geben. This can cause injury.
5. Setzen Sie die Garkomponenten schnell und vorsichtig wieder in das Fassinnere ein. Fahren Sie fort mit Schritt zwei des **automatischen Starts**.

## DEN GRILL AUSSTELLEN

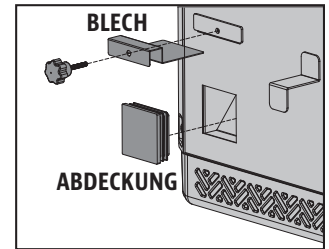
1. Wenn Sie fertig mit dem Grillen oder Räuchern sind, halten Sie den Hauptfassdeckel geschlossen und drücken Sie den **Ein-/Aus-Knopf**, um das Gerät abzuschalten, und drehen Sie den **Temperaturregler** auf OFF.

# PFLEGE UND WARTUNG

Jedes Pit Boss® Gerät bietet Ihnen viele Jahre geschmacksintensiven Betriebs bei minimalem Reinigungsaufwand. Befolgen Sie die Pflege- und Wartungstipps, um den Grill zu warten:

## 1. PELLETKAMMER-EINHEIT

- Die Pelletkammer verfügt über eine Leerfunktion, so dass Sie die Pelletkammer einfach reinigen und Brennstoffpelletaromen austauschen können. Schauen sie zum Leeren, wo sich das Blech und die Abdeckung des Füllrohrs auf der Rückseite der Pelletkammer befinden. Stellen Sie einen sauberen und leeren Eimer unter die Füllrohrabdeckung, dann entfernen Sie das Abdeckungsstück. Schrauben Sie das Blech auf, schieben Sie es nach außen und die Pellets werden herausfallen.



**HINWEIS: Verwenden Sie eine Bürste mit einem langen Griff oder saugen Sie die restlichen Pellets, das Sägemehl und den Schmutz durch das Pelletkammerrgitter, damit die Kammer vollständig geleert wird.**

- Wenn Ihr Grill für einen längeren Zeitraum nicht genutzt wird, wird empfohlen, alle Pellets aus der Förderschneckeneinheit herauszubefördern. Lassen Sie dazu einfach den Grill bei leerer Pelletkammer laufen, bis alle Pellets aus dem Schneckenrog heraus transportiert wurden.
- Prüfen Sie die Lüfterzuluftöffnung am Boden der Pelletkammer auf Verschmutzungen und reinigen Sie sie. Sobald Sie die Zugangsabdeckung der Pelletkammer entfernt haben (siehe **Schaltplan** für die Abbildung), wischen Sie sorgfältig alles Öl ab, das sich auf den Lüfterflügeln angelagert hat. Dadurch stellen Sie eine ausreichende Luftzufuhr für das Zuführsystem sicher.

## 2. MESSFÜHLER

- Knicke oder Faltungen im Fühlerkabel können Schäden verursachen. Ein Fleischtemperaturfühler, der nicht verwendet wird, sollte in großen lockeren Windungen aufgewickelt werden.
- Der Temperaturfühler und der Fleischtemperaturfühler sind beide aus Edelstahl. Geben Sie sie trotzdem nicht in die Spülmaschine beziehungsweise tauchen Sie sie nicht vollständig in Wasser. Ein Wasserschaden an den internen Kabeln führt zu einem Kurzschluss des Messfühlers und ist eine Ursache von falschen Messwerten. Wenn ein Fühler beschädigt ist, sollte er ersetzt werden.

## 3. OBERFLÄCHEN INNEN

- Es wird empfohlen, den Feuertopf regelmäßig nach einigen Grilleinsätzen zu reinigen. Dadurch stellen Sie eine funktionierende Zündung sicher und vermeiden hartnäckige Schmutz- oder Ascheablagerungen im Feuertopf.
- Verwenden Sie eine Reinigungsbürste mit langem Griff und entfernen Sie alle Essensreste oder Ablagerungen von den Gargittern. Am besten erledigen Sie das, so lange die Rückstände noch warm vom vorherigen Garen sind. Fettbrände werden durch zu viel Schmutz, der auf die Garkomponenten des Grills gefallen ist, verursacht. Reinigen Sie das Grillinnere regelmäßig. Sollten Sie einen Fettbrand erleben, halten Sie den Grilldeckel geschlossen, um das Feuer zu ersticken. Wenn das Feuer nicht schnell erlischt, entfernen Sie vorsichtig das Essen, schalten Sie den Grill ab und schließen Sie den Deckel, bis das Feuer komplett ausgegangen ist. Streuen Sie etwas Backpulver hinein, wenn welches zur Hand ist.
- Prüfen Sie den Fetteimer häufig, und reinigen Sie ihn bei Bedarf. Denken Sie daran, auf welche Art Sie kochen.

**WICHTIG: Decken Sie die Feuerpfanne oder Messfühler aufgrund der großen Hitze nicht mit Aluminiumfolie ab.**

## 4. OBERFLÄCHEN AUSSEN

- Wischen Sie den Grill nach jedem Gebrauch ab. Verwenden Sie warmes Seifenwasser, um dem Fett zu Leibe zu rücken. Verwenden Sie keinen Backofenreiniger, scheuernde Reinigungsmittel oder Metallschwämme auf den Grillaußenoberflächen. **Alle lackierten Oberflächen sind nicht von der Garantie abgedeckt**, sie sind vielmehr Teil der allgemeinen Pflege- und Wartungsroutinen. Bei Farbkratzern, Abnutzung oder Abblättern des Lacks können alle lackierten Oberflächen mit hitzebeständigem Grillack ausgebessert werden.

- Verwenden Sie eine Grillabdeckung, um dem Grill einen Rundumschutz zu geben! Eine Abdeckung ist der beste Schutz gegen das Wetter und äußere Verunreinigungen. Wenn Sie den Grill nicht in Gebrauch haben oder er längere Zeit gelagert werden soll, stellen Sie ihn abgedeckt in einer Garage oder einem Schuppen unter.

### ÜBERSICHT REINIGUNGSHÄUFIGKEIT (NORMALER GEBRAUCH)

GEGENSTAND	REINIGUNGSHÄUFIGKEIT	REINIGUNGSMETHODE
Unterseite des Hauptgrills	Alle 5-6 Grill-Sessions	Leerschaukeln, weiteren Schmutz aussaugen
Feuertopf	Nach jedem 2.-3. Grillen	Leerschaukeln, weiteren Schmutz aussaugen
Garroste	Nach jedem Grillen	Rückstände abbrennen, mit Messingdrahtbürste abbürsten
Feuerpfanne	Alle 5-6 Grill-Sessions	Hauptblech mit Schieber abschaben, <b>nicht abwaschen</b>
Vordere Ablage	Nach jedem Grillen	Scheuerschwamm und Seifenwasser
Fetteimer	Nach jedem Grillen	Scheuerschwamm und Seifenwasser
Zuführsystem Förderschnecke	Wenn der Pelletbeutel leer ist	Lassen Sie die Förderschnecke das Sägemehl heraustransportieren, sodass die Pelletkammer leer ist
Elektronische Teile Pelletkammer	Einmal im Jahr	Innen auswischen, Lüfterflügel mit Seifenwasser abwischen
Lüfterzuluftöffnung	Alle 5-6 Grill-Sessions	Abstauben, Scheuerschwamm und Seifenwasser
Temperaturfühler	Nach jedem 2.-3. Grillen	Scheuerschwamm und Seifenwasser

# TIPPS UND TECHNIKEN

Lesen Sie diese hilfreichen Tipps und Techniken, die wir von Pit Boss® Besitzern, unseren Mitarbeitern und Kunden wie Sie zusammengetragen haben, um Ihren Grill besser kennenzulernen:

## 1. LEBENSMITTELSICHERHEIT

- Halten Sie die Küche und den Garbereich sauber. Verwenden Sie andere Platten und Küchenutensilien für das gegarte Fleisch als die, die Sie für die Vorbereitung und den Transport des rohen Fleisches zum Grill benutzt haben. Das verhindert eine Übertragung von Bakterien. Jede Marinade oder Baste sollte ihre eigenen Utensilien haben.
- Halten Sie heiße Lebensmittel heiß (über 60 °C / 140 °F) und kalte Lebensmittel kalt (unter 3 °C / 37 °F).
- Eine Marinade sollte niemals für den späteren Gebrauch aufbewahrt werden. Wenn Sie sie mit dem Fleisch servieren möchten, achten Sie darauf, sie vor dem Servieren aufzukochen.
- Gekochte Speisen sollten nicht länger als eine Stunde in der Hitze stehen. Lassen Sie heiße Speisen nicht länger als zwei Stunden außerhalb des Kühlschranks stehen.
- Marinieren und tauen Sie Fleisch im Kühlschrank auf. Fleisch sollte nicht bei Zimmertemperatur oder auf der Arbeitsfläche aufgetaut werden. Bakterien können wachsen und sich in den warmen feuchten Lebensmitteln schnell vermehren. Waschen Sie ihre Hände sorgfältig mit heißem Wasser und Seife, bevor Sie mit den Essensvorbereitungen beginnen, sowie nachdem Sie frisches Fleisch, Fisch und Geflügel angefasst haben.

## 2. GARVORBEREITUNGEN

- Seien Sie vorbereitet oder **Mise en Place**. Das bezieht sich auf das Vorbereiten des Kochrezepts, Brennstoffs, Zubehörs, der Kochutensilien und aller Zutaten, die Sie am Grill benötigen, bevor Sie mit dem Garen beginnen. Lesen Sie ebenfalls das Rezept vollständig durch, bevor Sie den Grill anzünden.
- Eine Bodenmatte für den Grill ist sehr nützlich. Bei Missgeschicken im Umgang mit dem Grillgut und Bratspritzern würde eine Bodenmatte für den Grill den Terrassen- oder Verandaboden beziehungsweise die Bodenplatten vor möglichen Fettflecken und versehentlichem Klecksen schützen.

## 3. GAR-TIPPS UND -TECHNIKEN

- Damit das Fleisch ein intensiveres Raucharoma annimmt, garen Sie langsam und bei niedrigen Temperaturen (auch bekannt als **low and slow**). Fleisch verschließt seine Fasern, nachdem es eine Kerntemperatur von 49 °C / 120 °F erreicht hat. Eine gute Methode, um ein Austrocknen des Fleisches zu verhindern, ist das Auftragen von Feuchtigkeit mit einem Soßen-Mop oder einer Sprühflasche.
- Halten Sie den Deckel geschlossen, während Sie Ihre Fleischstücke scharf anbraten. Verwenden Sie immer ein Fleischthermometer, um die Kerntemperatur des Grillguts, das Sie zubereiten, zu bestimmen. Beim Räuchern von Lebensmitteln mit Hartholzpellets färbt sich Fleisch und Geflügel rosa. Das rosafarbene Band (nach dem Garen) wird als **Rauchring** bezeichnet und von Grillmeistern sehr geschätzt.
- Zuckerbasierte Soßen werden am besten gegen Ende der Garzeit aufgetragen, um ein Verbrennen und Aufblähen zu vermeiden.
- Lassen Sie Platz zwischen dem Grillgut und den Enden des Fasses, damit die Hitze gut zirkulieren kann. Auf einem überfüllten Grill benötigen die Grillstücke länger zum Garen.
- Verwenden Sie eine Grillzange zum Wenden des Fleisches und einen Pfannenwender für Burgerfleisch und Fisch. Wenn Sie dafür spitzes Kochbesteck wie eine Gabel nehmen, wird das Fleisch angestochen und der Fleischsaft tritt aus.
- Speisen in einer tiefen Auflaufform benötigt eine längere Garzeit als in einer flachen Bratpfanne.
- Es ist ratsam, das fertige Essen auf eine vorgewärmte Servierplatte zu legen, so dass das Essen warm bleibt. Bei rotem Fleisch wie Steak oder Braten ist es gut, es vor dem Servieren einige Minuten ruhen zu lassen. Dadurch wandert der Fleischsaft, der durch die Hitze an die Oberfläche gestiegen war, zurück in die Mitte des Fleisches und das Fleisch ist aromatischer im Geschmack.

# FEHLERBEHEBUNG

Die richtige Reinigung, Wartung und Verwendung eines sauberen und trockenen Qualitätsbrennstoffs verhindert weitverbreitete Betriebsprobleme. Wenn Ihr Pit Boss® Grill schlecht brennt oder selten gebraucht wird, sind möglicherweise die folgenden Tipps zum Beheben der Probleme hilfreich.

Für FAQs besuchen Sie [www.pitboss-grills.com](http://www.pitboss-grills.com). Sie können sich für Hilfe ebenfalls an Ihren offiziellen Pit Boss® Händler vor Ort oder den Kundenservice wenden.

**WARNUNG: Trennen Sie immer das Netzkabel, bevor Sie den Grill zur Überprüfung, für Reinigungs-, Wartungs- oder Servicearbeiten öffnen. Stellen Sie sicher, dass der Grill komplett abgekühlt ist, um Verletzungen zu vermeiden.**

PROBLEM	URSACHE	LÖSUNG
Stromversorgungslichter auf dem Steuerpanel leuchten nicht	Der Temperaturregler ist noch ausgeschaltet.	Drücken Sie den Ein-/Aus-Knopf und prüfen Sie, ob der Knopf blau leuchtet und damit anzeigt, dass eine Stromverbindung besteht. Drehen Sie den Temperaturregler auf eine Temperaturstufe.
	Keine Verbindung mit der Stromquelle	Stellen Sie sicher, dass das Gerät an eine funktionierende Stromquelle angeschlossen ist. Setzen Sie den Schutzschalter zurück. Stellen Sie sicher, dass der GFCI mit einem Minimum von 10 Ampere läuft (siehe <b>Schaltplan</b> für einen Zugang zu den elektronischen Teilen) und alle Kabelverbindungen fest verbunden und trocken sind.
	Sicherung am Steuerpanel ausgelöst	Entfernen Sie die Zugangsabdeckung der Pelletkammer (siehe <b>Schaltplan</b> für Abbildung), drücken Sie die Plastikklappen, die das Steuerpanel arretieren, ziehen Sie die Steuerung vorsichtig in die Pelletkammer und lassen Sie sie los. Überprüfen Sie die Sicherung auf gebrochene Kabel oder ob ein Kabel schwarz geworden ist. Wenn ja, muss die Sicherung manuell ersetzt werden.
	Die GFCI-Steckdose hat ausgelöst.	Entfernen Sie die Zugangsabdeckung der Pelletkammer (siehe <b>Schaltplan</b> für Abbildung) und überprüfen Sie, ob alle Kabelverbindungen fest verbunden und trocken sind. Stellen Sie sicher, dass der GFCI mit einem Minimum von 10 Ampere läuft.
	Fehlerhaftes Steuerpanel	Steuerpanel muss ersetzt werden. Kontaktieren Sie den Kundendienst für Ersatzteile.
Feuer im Feuertopf lässt sich nicht anzünden	Förderschnecke nicht initialisiert	Bevor das Gerät zum ersten Mal benutzt wird beziehungsweise jedes Mal, wenn die Pelletkammer komplett geleert wurde, muss die Förderschnecke initialisiert werden, damit Pellets den Schneckenrog füllen. Wenn keine Initialisierung erfolgt ist, läuft der Zündungstimer ab, bevor die Pellets zum Feuertopf transportiert wurden. Führen Sie die <b>Initialisierung der Pelletkammer</b> durch.
	Motor der Förderschnecke ist verstopft	Entfernen Sie die Garkomponenten aus dem Hauptfass. Drücken Sie den Ein-/Aus-Knopf, um das Gerät anzuschalten, drehen Sie den Temperaturregler auf SMOKE, und sehen Sie nach dem Zuführsystem der Förderschnecke. Überzeugen Sie sich visuell, dass Pellets über die Förderschnecke in den Feuertopf fallen. Falls sie nicht ordnungsgemäß funktioniert, wenden Sie sich für Hilfe oder Ersatzteile telefonisch an den Kundendienst.
	Fehler Anzünder	Entfernen Sie die Garkomponenten aus dem Hauptfass. Drücken Sie den Ein-/Aus-Knopf, um das Gerät anzuschalten, drehen Sie den Temperaturregler auf SMOKE und sehen Sie nach dem Anzünder. Stellen Sie sicher, dass der Anzünder funktioniert, indem Sie Ihre Hand über den Feuertopf halten und die Hitze fühlen. Überprüfen Sie visuell, dass der Anzünder circa 13 mm / 0,5 Inch in den Feuertopf hineinragt. Wenn er nicht richtig funktioniert, führen Sie einen <b>manuellen Start</b> durch, um weiterzugrillen. Wenden Sie sich jedoch an den Kundendienst für Hilfe oder Ersatzteile.
Blinkende Punkte auf dem LCD-Bildschirm	Der Anzünder ist an	Das ist kein Fehler, der den Grill beeinträchtigt. Es zeigt, dass das Gerät Strom hat und sich im Startmodus befindet (Anzünder ist an). Der Anzünder wird sich nach circa fünf Minuten ausstellen. Sobald die blinkenden Punkte verschwunden sind, beginnt der Grill, auf die gewünschte Temperatur hochzuheizen.
Blinkende Temperatur auf dem LCD-Bildschirm	Grilltemperatur ist unter 65 °C / 150 °F	Das ist kein Fehler, der das Gerät beeinträchtigt. Er zeigt jedoch, dass das Risiko besteht, dass das Feuer ausgeht. Schauen Sie nach, ob sich genügend Brennstoff in der Pelletkammer befindet oder ob das Zuführsystem blockiert ist. Entfernen Sie die Pellets und befolgen Sie die <b>Pflege- und Wartungsanweisungen</b> . Überprüfen Sie den Temperaturfühler und befolgen Sie die <b>Pflege- und Wartungsanweisungen</b> , wenn Schmutz vorhanden ist. Kontrollieren Sie den Feuertopf auf Ascheablagerungen und Hindernisse, und befolgen Sie die <b>Pflege- und Wartungsanweisungen</b> bei Ascheablagerungen. Prüfen Sie den Lüfter. Stellen Sie sicher, dass er

		richtig arbeitet und die Luftzufuhr nicht blockiert ist. Befolgen Sie die <b>Pflege- und Wartungsanweisungen</b> , wenn Schmutz vorhanden ist. Überprüfen Sie, ob der Motor der Förderschnecke läuft (rotiert), und stellen Sie sicher, dass der Schneckentrog nicht innen blockiert ist.
Fehlercode „ErH“	Das Gerät hat sich überhitzt, wahrscheinlich durch einen Fettbrand oder zu viel Brennstoff.	Drücken Sie den Ein-/Aus-Knopf, um das Gerät auszuschalten, und lassen Sie den Grill abkühlen. Befolgen Sie die <b>Pflege- und Wartungsanweisungen</b> . Entfernen Sie nach der Wartung die Pellets und prüfen Sie die Position aller Komponententeile. Sobald das Gerät abgekühlt ist, drücken Sie den Ein-/Aus-Knopf und schalten es an, wählen Sie danach die gewünschte Temperatur. Wenn der Fehlercode nach wie vor angezeigt wird, wenden Sie sich an den Kundendienst.
Fehlercode „Er1“	Das Kabel des Temperaturfühlers verbindet nicht.	Entfernen Sie die Zugangsabdeckung der Pelletkammer (siehe <b>Schaltplan</b> für Abbildung) und überprüfen Sie, ob die Kabel des Temperaturfühlers Schäden aufweisen. Stellen Sie sicher, dass die Molex-Stecker des Temperaturfühlers fest (und richtig) mit dem Steuerpanel verbunden sind.
Fehlercode „ErP“	Gerät wurde bei letzter Verbindung mit Stromquelle nicht richtig abgeschaltet.	Sicherheitsfunktion verhindert einen automatischen Neustart. Drücken Sie den Ein-/Aus-Knopf, um das Gerät abzuschalten, warten Sie zwei Minuten, dann drücken Sie den Ein-/Aus-Knopf erneut, um das Gerät anzuschalten. Drehen Sie den Temperaturregler auf SMOKE oder die gewünschte Temperatur. Wenn der Fehlercode nach wie vor angezeigt wird, wenden Sie sich an den Kundendienst.
	Stromausfall während das Gerät in Gebrauch ist.	
Fehlercode „noP“	Schlechte Verbindung am Verbindungsport	Trennen Sie den Fleischtemperaturfühler vom Verbindungsport am Steuerpanel und verbinden Sie ihn erneut. Stellen Sie sicher, dass das Adapter des Fleischtemperaturfühlers fest verbunden ist. Suchen Sie nach Anzeichen von Schäden am Adapterende. Wenn das Problem weiter besteht, wenden Sie sich telefonisch an den Kundendienst für Ersatzteile.
	Fleischtemperaturfühler beschädigt	Suchen Sie nach Anzeichen von Schäden am Fleischtemperaturfühler. Wenn er beschädigt ist, wenden Sie sich telefonisch an den Kundendienst für Ersatzteile.
	Fehlerhaftes Steuerpanel	Steuerpanel muss ersetzt werden. Kontaktieren Sie den Kundendienst für Ersatzteile.
Grilltemperatur bei „SMOKE“ ist zu hoch	„P“-Einstellung ist zu NIEDRIG	Drücken Sie den „P“-Set-Knopf und erhöhen Sie die „P“-Einstellung.
Grill erreicht oder hält keine stabile Temperatur	Unzureichende Luftströmung durch Feuertopf	Prüfen Sie den Feuertopf auf angelagerte Asche oder Hindernisse. Befolgen Sie die <b>Pflege- und Wartungsanweisungen</b> bei Ascheablagerungen. Prüfen Sie den Lüfter. Stellen Sie sicher, dass er richtig arbeitet und die Luftzufuhr nicht blockiert ist. Befolgen Sie die <b>Pflege- und Wartungsanweisungen</b> , wenn Schmutz vorhanden ist. Überprüfen Sie, ob der Motor der Förderschnecke läuft, und stellen Sie sicher, dass der Schneckentrog nicht innen blockiert ist. Wenn Sie die oben aufgeführten Schritte durchgeführt haben, starten Sie den Grill, stellen Sie die Temperatur auf SMOKE und warten Sie 10 Minuten. Kontrollieren Sie, dass die Flamme hell und lebendig ist.
	Fehlender Brennstoff, schlechte Brennstoffqualität, Störung im Zuführsystem	Schauen Sie in die Pelletkammer und kontrollieren Sie, dass genug Brennstoff vorhanden ist. Füllen Sie ihn auf, wenn nur wenig vorhanden ist. Falls die Qualität der Holzpellets schlecht ist oder die Pellets zu lang sind, kann das zur Blockierung des Zuführsystems führen. Entfernen Sie die Pellets und befolgen Sie die <b>Pflege- und Wartungsanweisungen</b> .
	Temperaturfühler	Überprüfen Sie den Status des Temperaturfühlers. Befolgen Sie die <b>Pflege- und Wartungsanweisungen</b> , wenn Schmutz vorhanden ist. Wenn er beschädigt ist, wenden Sie sich für Ersatzteile an den Kundendienst.
Grill produziert zu viel oder verfärbten Rauch	Fettablagerung	Befolgen Sie die <b>Pflege- und Wartungsanweisungen</b> .
	Qualität der Holzpellets	Entfernen Sie feuchte Pellets aus der Pelletkammer. Befolgen Sie die <b>Pflege- und Wartungsanweisungen</b> zur Reinigung. Ersetzen Sie sie mit trockenen Holzpellets.
	Feuertopf ist blockiert	<i>Entfernen Sie feuchte Pellets aus dem Feuertopf. Führen Sie die <b>Initialisierung der Pelletkammer</b> durch.</i>
	Unzureichende Luftzuführung für Lüfter	<i>Prüfen Sie den Lüfter. Stellen Sie sicher, dass er richtig arbeitet und die Luftzufuhr nicht blockiert ist. Befolgen Sie die <b>Pflege- und Wartungsanweisungen</b>, wenn Schmutz vorhanden ist.</i>
Häufiges Aufflammen	Gartemperatur	Versuchen Sie, bei einer niedrigeren Temperatur zu grillen. Fett hat einen Flammpunkt. Halten Sie die Temperatur unter 176 °C / 350 °F, wenn Sie stark fetthaltiges Grillgut garen.
	Fettablagerungen auf Garkomponenten	Befolgen Sie die <b>Pflege- und Wartungsanweisungen</b> .

# SCHALTPLAN

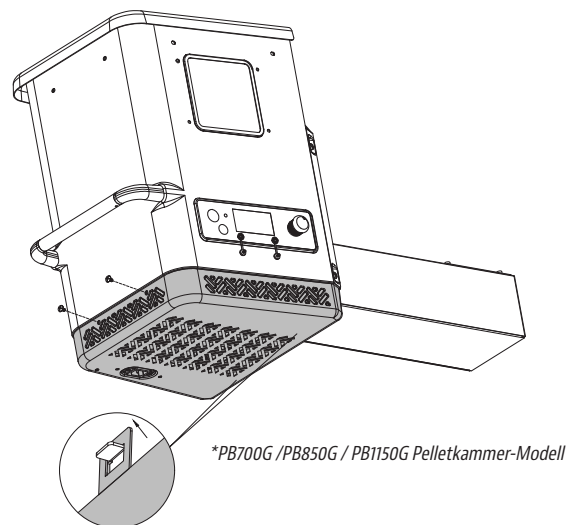
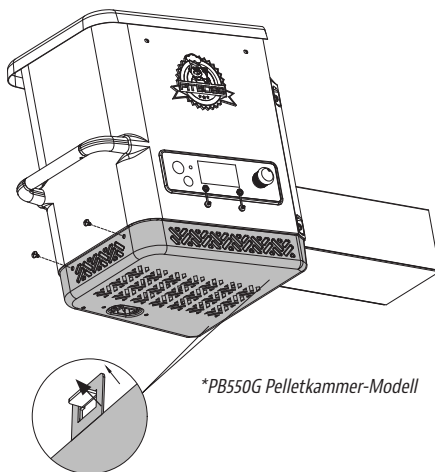
Das digitale Steuerpanel ist ein diffiziles und wertvolles Stück Technik. Schauen Sie zum Schutz vor Überspannung und Kurzschlüssen in unten abgebildeten Schaltplan um sicherzustellen, dass Ihre Stromquelle zum Betrieb des Geräts ausreicht.

## PB – ELECTRIC REQUIREMENTS 220-240 V, 50 Hz, 250 W, GEERDETES NETZKABEL

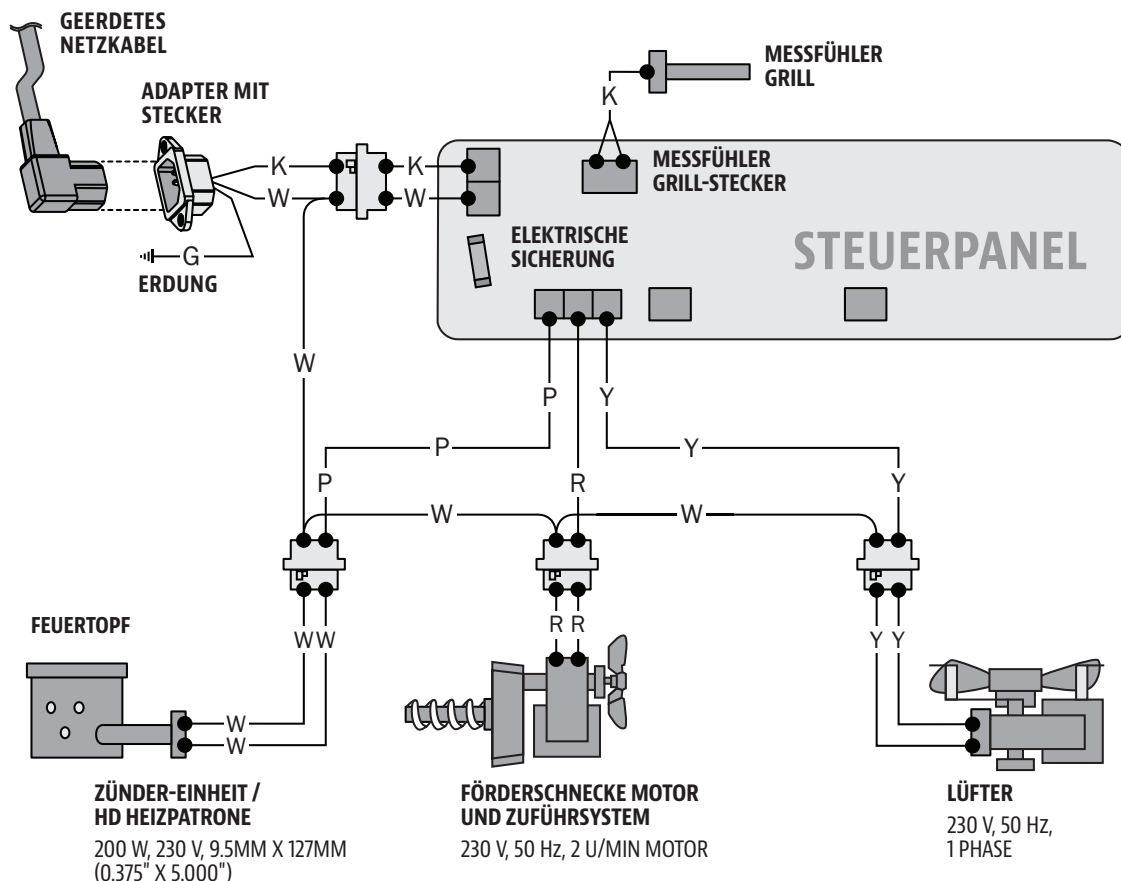
*HINWEIS: Elektronische Komponenten, die Produktsicherheitstests bestanden haben und von Zertifizierungsdiensten zertifiziert wurden, besitzen eine Testtoleranz von ± 5-10 Prozent.*

ENTFERNEN SIE DIE ZWEI SCHRAUBEN DER ZUGANGSABDECKUNG AN DER SEITE DER PELLETKAMMER.

ÖFFNEN SIE DIE UNTERE PELLETKAMMER-ABDECKUNG NACH UNTEN UND SCHIEBEN SIE SIE ZURÜCK, UM SIE VON DER LASCHE ZU LÖSEN.



**BRENNSTOFFZUFUHR-RATE:**  
2 KG/H  
(4,4 LB/H)



**INDEX**  
W: WEISS  
Y: GELB  
P: VIOLETT  
R: ROT  
K: SCHWARZ  
G: GRÜN

**ZÜNDER-EINHEIT / HD HEIZPATRONE**  
200 W, 230 V, 9,5MM X 127MM  
(0.375" X 5.000")

**FÖRERSCHNECKE MOTOR UND ZUFÜHRSYSTEM**  
230 V, 50 Hz, 2 U/MIN MOTOR

**LÜFTER**  
230 V, 50 Hz,  
1 PHASE



# PB550G GRILLERSATZTEILE

Teilenummer	Beschreibung
1-A	Deckelstopper (x1)
2-A	Deckelgriff (x1)
3-A	Blende Deckelgriff (x2)
4-A	Hauptfass (x1)
5-A	Pelletkammer-Einheit (x1)
6-A	Feuerpfannen-Einstellstange (x1)
7-A	Feuerpfannen-Einstellstangenhalter (x1)
8-A	Feuerpfannenschieber (x1)
9-A	Feuerpfannenhauptblech (x1)
10-A	Linkes Vorderbein (x1)
11-A	Linkes Hinterbein (x1)
12-A	Rechtes Vorderbein (x1)
13-A	Rechtes Hinterbein (x1)
14-A	Linkes vorderes Beinverkleidungsstück (x1)
15-A	Linkes hinteres Beinverkleidungsstück (x1)
16-A	Rad (x2)
17-A	Rechte untere Stützplatte (x1)
18-A	Linke untere Stützplatte (x1)
19-A	Kurze Stützplatte (x2)
20-A	Vordere/hintere lange Stützplatte (x2)

Teilenummer	Beschreibung
21-A	Vordere Ablage (x1)
22-A	Halterung der vorderen Ablage rechts (x1)
23-A	Halterung der vorderen Ablage links (x1)
24-A	Fetteimer (x1)
25-A	Tisch rechts (x1)
26-A	Grillrost (x2)
27-A	Warmhalterost (x1)
28-A	Fleischthermomenter (x1)
29-A	Netzkabelclip (x1)
30-A	Netzkabel – F-Stecker (x1)
31-A	Netzkabel – G-Stecker (x1)
A	Schraube (x18)
B	Unterlegscheibe (x18)
C	Sicherungsscheibe (x18)
D	Schraube (x30)
E	Radachsenbolzen (x2)
F	Radsteckerstift (x2)
G	Radunterlegscheibe (x2)

*HINWEIS: Aufgrund der kontinuierlichen Produktweiterentwicklung können Teile ohne Ankündigung geändert werden.*

Diagrammdarstellung auf der nächsten Seite.

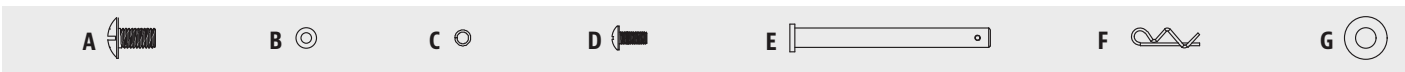
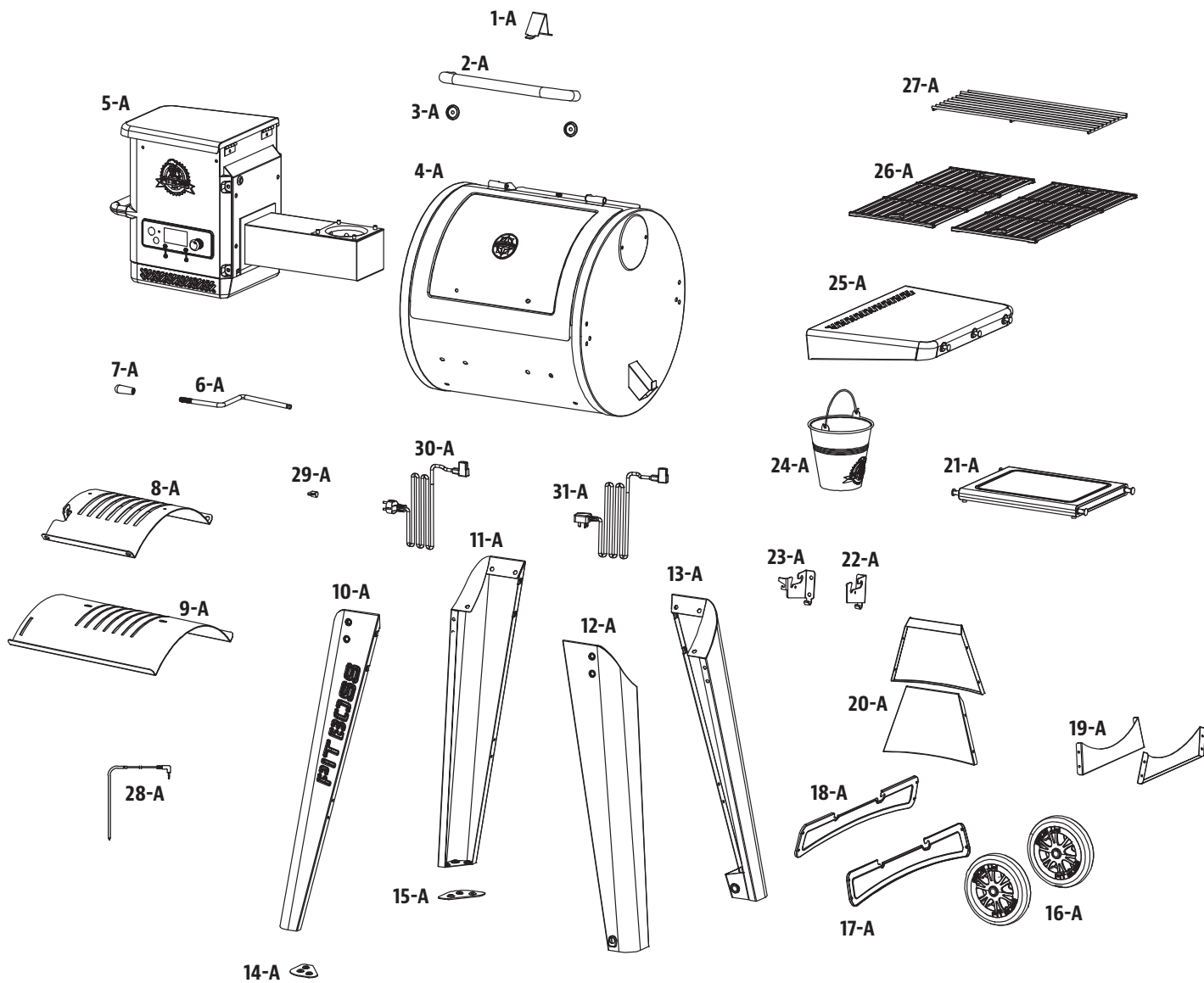
MODELL	ZUSAMMENGEBAUTE EINHEIT (BxHxT)	GEWICHT DER EINHEIT	GARFLÄCHE	TEMPERATURBEREICH	DIGITALE FUNKTIONALITÄTEN
PB PB550G	1227mm x 1195mm x 868mm / 48,3" x 47" x 34,17"	55,7 kg / 122,8 lb	Haupt - 2580,6 cm <sup>2</sup> / 400 sq. in. Oberes Gitter - 920 cm <sup>2</sup> / 142,6 sq. in. <b>GESAMT - 3500,6 cm<sup>2</sup> / 542,6 sq. in.</b>	82-260°C / 180-500°F	Zehn Temperaturstufen, Startzyklus, elektrischer Anzünder

DE

DEUTSCHE

# PB550G GRILLERSATZTEILE

DE  
DEUTSCHE



# PB700G GRILLERSATZTEILE

Teilenummer	Beschreibung
1-A	Deckelstopper (x1)
2-A	Deckelgriff (x1)
3-A	Blende Deckelgriff (x2)
4-A	Hauptfass (x1)
5-A	Pelletkammer-Einheit (x1)
6-A	Feuerpfannen-Einstellstange (x1)
7-A	Feuerpfannen-Einstellstangenhalter (x1)
8-A	Feuerpfannenschieber (x1)
9-A	Feuerpfannenhauptblech (x1)
10-A	Linkes Vorderbein (x1)
11-A	Linkes Hinterbein (x1)
12-A	Rechtes Vorderbein (x1)
13-A	Rechtes Hinterbein (x1)
14-A	Linkes vorderes Beinverkleidungsstück (x1)
15-A	Linkes hinteres Beinverkleidungsstück (x1)
16-A	Rad (x2)
17-A	Rechte untere Stützplatte (x1)
18-A	Linke untere Stützplatte (x1)
19-A	Kurze Stützplatte (x2)
20-A	Vordere lange Stützplatte (x1)

Teilenummer	Beschreibung
21-A	Hintere lange Stützplatte (x1)
22-A	Vordere Ablage (x1)
23-A	Halterung der vorderen Ablage rechts (x1)
24-A	Halterung der vorderen Ablage links (x1)
25-A	Fetteimer (x1)
26-A	Tisch rechts (x1)
27-A	Grillrost (x2)
28-A	Warmhalterost (x1)
29-A	Fleischtemperaturfühler (x1)
30-A	Netzkabelclip (x1)
31-A	Netzkabel – F-Stecker (x1)
32-A	Netzkabel – G-Stecker (x1)
A	Schraube (x18)
B	Unterlegscheibe (x18)
C	Sicherungsscheibe (x18)
D	Schraube (x30)
E	Radachsenbolzen (x2)
F	Radsteckerstift (x2)
G	Radunterlegscheibe (x2)

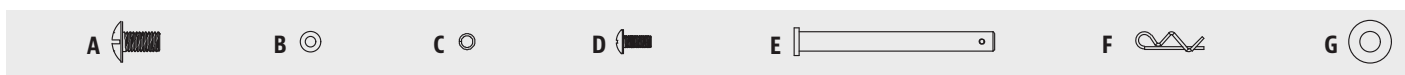
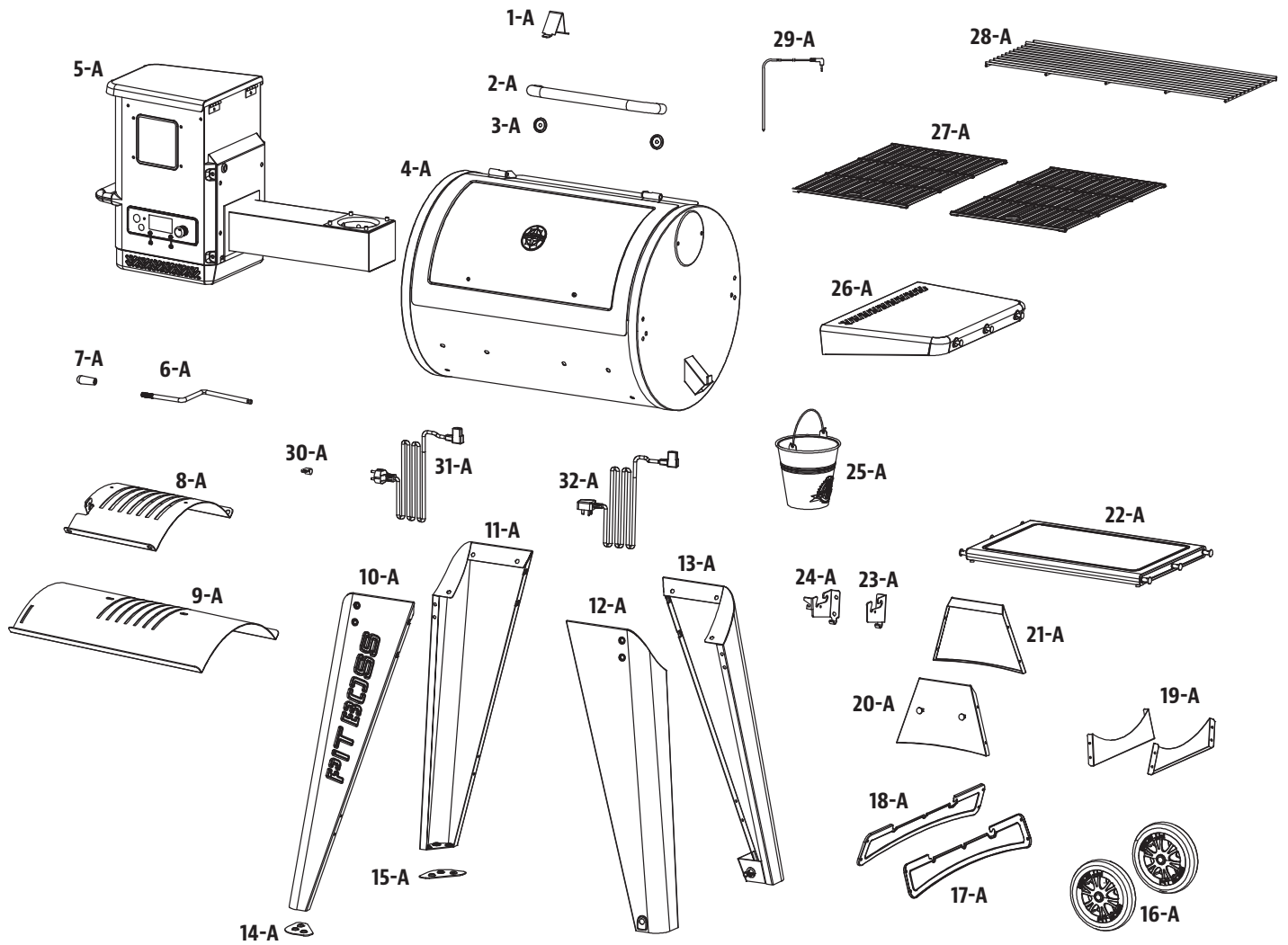
*HINWEIS: Aufgrund der kontinuierlichen Produktweiterentwicklung können Teile ohne Ankündigung geändert werden.*

Diagrammdarstellung auf der nächsten Seite.

MODELL	ZUSAMMENGEBAUTE EINHEIT (BxHxT)	GEWICHT DER EINHEIT	GARFLÄCHE	TEMPERATURBEREICH	DIGITALE FUNKTIONALITÄTEN
PB PB700G	1388mm x 1195mm x 940mm / 54,6" x 47" x 37"	66,5 kg / 146,61 lb	Haupt - 3109 cm <sup>2</sup> / 482 sq. in. Oberes Gitter - 1341 cm <sup>2</sup> / 208 sq. in. <b>GESAMT - 4450 cm<sup>2</sup> / 690 sq. in.</b>	82-260°C / 180-500°F	Zehn Temperaturstufen, Startzyklus, elektrischer Anzünder

# PB700G GRILLERSATZTEILE

DE  
DEUTSCHE



# PB850G GRILLERSATZTEILE

Teilenummer	Beschreibung
1-A	Deckelstopper (x1)
2-A	Deckelgriff (x1)
3-A	Blende Deckelgriff (x2)
4-A	Hauptfass (x1)
5-A	Pelletkammer-Einheit (x1)
6-A	Feuerpfannen-Einstellstange (x1)
7-A	Feuerpfannen-Einstellstangenhalter (x1)
8-A	Feuerpfannenschieber (x1)
9-A	Feuerpfannenhauptblech (x1)
10-A	Linkes Vorderbein (x1)
11-A	Linkes Hinterbein (x1)
12-A	Rechtes Vorderbein (x1)
13-A	Rechtes Hinterbein (x1)
14-A	Linkes vorderes Beinverkleidungsstück (x1)
15-A	Linkes hinteres Beinverkleidungsstück (x1)
16-A	Lenkrolle mit Bremse (x2)
17-A	Rad (x2)
18-A	Rechte untere Stützplatte (x1)
19-A	Linke untere Stützplatte (x1)
20-A	Kurze Stützplatte (x2)
21-A	Vordere lange Stützplatte (x1)

Teilenummer	Beschreibung
22-A	Hintere lange Stützplatte (x1)
23-A	Vordere Ablage (x1)
24-A	Halterung der vorderen Ablage rechts (x1)
25-A	Halterung der vorderen Ablage links (x1)
26-A	Fetteimer (x1)
27-A	Tisch rechts (x1)
28-A	Grillrost A (x1)
29-A	Grillrost B (x2)
30-A	Warmhalterost (x1)
31-A	Fleischtemperaturfühler (x1)
32-A	Netzkabelclip (x1)
33-A	Netzkabel – F-Stecker (x1)
34-A	Netzkabel – G-Stecker (x1)
A	Schraube (x18)
B	Unterlegscheibe (x18)
C	Sicherungsscheibe (x18)
D	Schraube (x30)
E	Schraube (x4)
F	Radachsenbolzen (x2)
G	Radsteckerstift (x2)
H	Radunterlegscheibe (x2)

*HINWEIS: Aufgrund der kontinuierlichen Produktweiterentwicklung können Teile ohne Ankündigung geändert werden.*

Diagrammdarstellung auf der nächsten Seite.

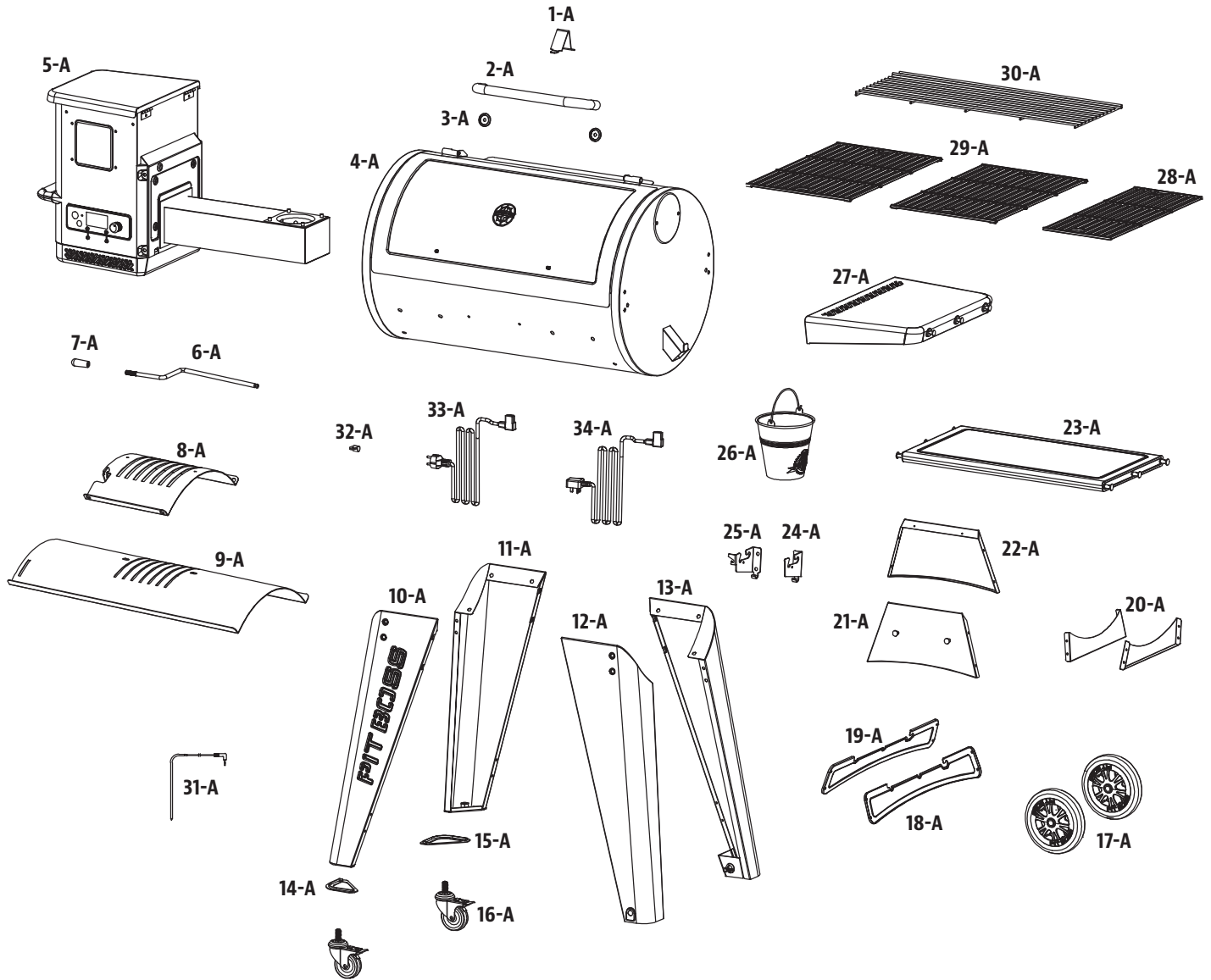
MODELL	ZUSAMMENGEBAUTE EINHEIT (BxHxT)	GEWICHT DER EINHEIT	GARFLÄCHE	TEMPERATURBEREICH	DIGITALE FUNKTIONALITÄTEN
PB PB850G	1472mm x 1195mm x 940mm / 57,9" x 47" x 37"	74,5kg / 164,24 lb	Haupt - 3825,8 cm <sup>2</sup> / 593 sq. in. Oberes Gitter - 1845,2 cm <sup>2</sup> / 286 sq. in. <b>GESAMT - 5671 cm<sup>2</sup> / 879 sq. in.</b>	82-260°C / 180-500°F	Zehn Temperaturstufen, Startzyklus, elektrischer Anzünder

DE

DEUTSCHE

# PB850G GRILLERSATZTEILE

DE  
DEUTSCHE



# PB1150G GRILLERSATZTEILE

Teilenummer	Beschreibung
1-A	Deckelstopper (x1)
2-A	Deckelgriff (x1)
3-A	Blende Deckelgriff (x2)
4-A	Hauptfass (x1)
5-A	Pelletkammer-Einheit (x1)
6-A	Feuerpfannen-Einstellstange (x1)
7-A	Feuerpfannen-Einstellstangenhalter (x1)
8-A	Feuerpfannenschieber (x1)
9-A	Feuerpfannenhauptblech (x1)
10-A	Linkes Vorderbein (x1)
11-A	Linkes Hinterbein (x1)
12-A	Rechtes Vorderbein (x1)
13-A	Rechtes Hinterbein (x1)
14-A	Linkes vorderes Beinverkleidungsstück (x1)
15-A	Linkes hinteres Beinverkleidungsstück (x1)
16-A	Lenkrolle mit Bremse (x2)
17-A	Rad (x2)
18-A	Rechte untere Stützplatte (x1)
19-A	Linke untere Stützplatte (x1)
20-A	Kurze Stützplatte (x2)
21-A	Vordere lange Stützplatte (x1)
22-A	Hintere lange Stützplatte (x1)

Teilenummer	Beschreibung
23-A	Vordere Ablage (x1)
24-A	Diffusorplatte (x1)
25-A	Halterung der vorderen Ablage rechts (x1)
26-A	Halterung der vorderen Ablage links (x1)
27-A	Fetteimer (x1)
28-A	Tisch rechts (x1)
29-A	Grillrost A (x1)
30-A	Grillrost B (x2)
31-A	Warmhalterost (x1)
32-A	Fleischtemperaturfühler (x2)
33-A	Netzkabelclip (x1)
34-A	Netzkabel – F-Stecker (x1)
35-A	Netzkabel – G-Stecker (x1)
A	Schraube (x18)
B	Unterlegscheibe (x18)
C	Sicherungsscheibe (x18)
D	Schraube (x30)
E	Schraube (x6)
F	Radachsenbolzen (x2)
G	Radsteckerstift (x2)
H	Radunterlegscheibe (x2)

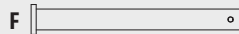
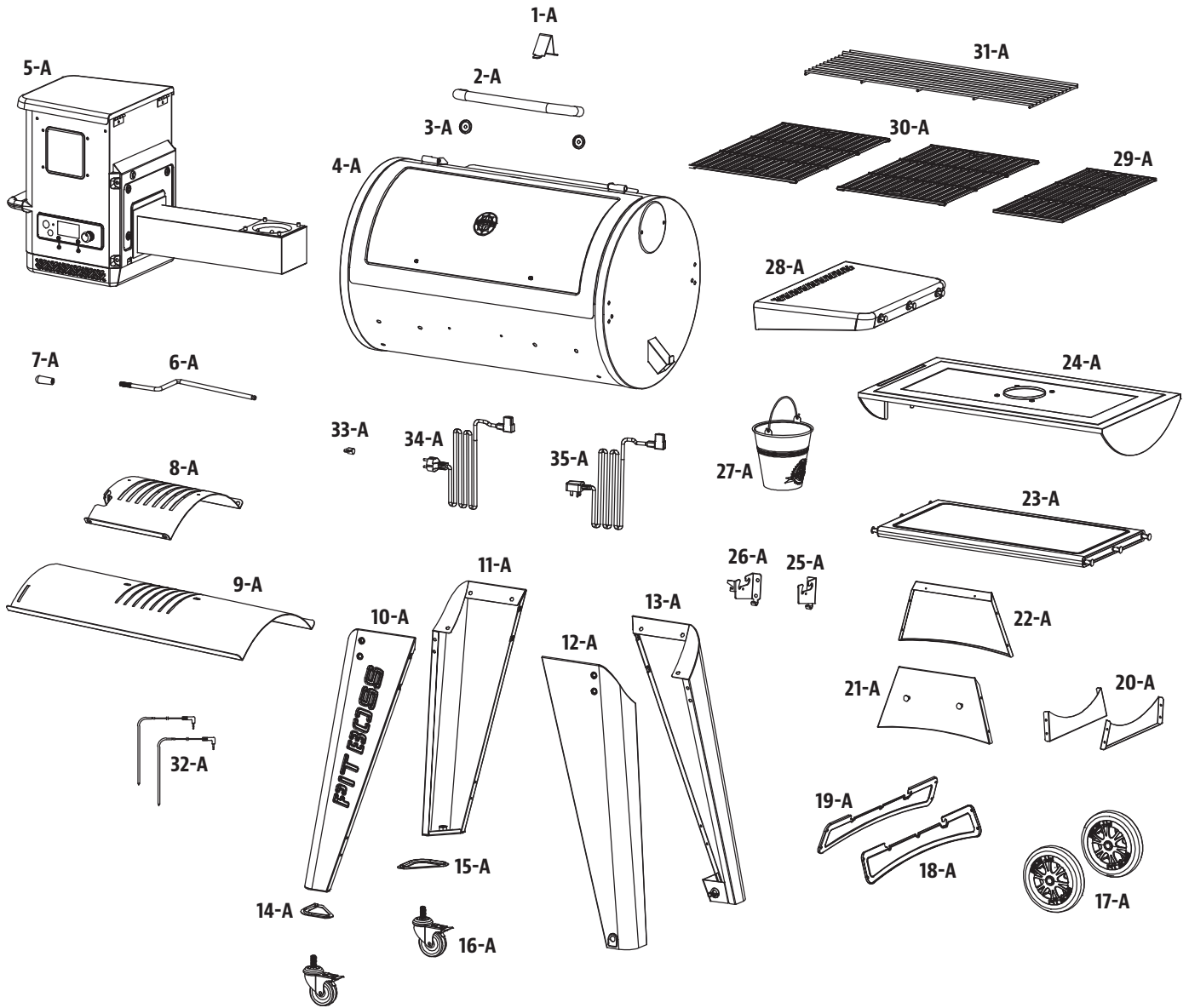
*HINWEIS: Aufgrund der kontinuierlichen Produktweiterentwicklung können Teile ohne Ankündigung geändert werden.*

Diagrammdarstellung auf der nächsten Seite.

MODELL	ZUSAMMENGEBAUTE EINHEIT (BxHxT)	GEWICHT DER EINHEIT	GARFLÄCHE	TEMPERATURBEREICH	DIGITALE FUNKTIONALITÄTEN
PB PB1150G	1.622mm x 1.195mm x 940mm / 63,86" x 47" x 37"	84 kg / 185,19 lb	Haupt- 4587l cm <sup>2</sup> / 711 sq. in. Oberes Gitter- 2883,9 cm <sup>2</sup> / 447 sq. in. <b>GESAMT - 7471 cm<sup>2</sup> / 1158 sq. in.</b>	82-260°C / 180-500°F	Zehn Temperaturstufen, Startzyklus, elektrischer Anzünder

# PB1150G GRILLERSATZTEILE

DE  
DEUTSCHE



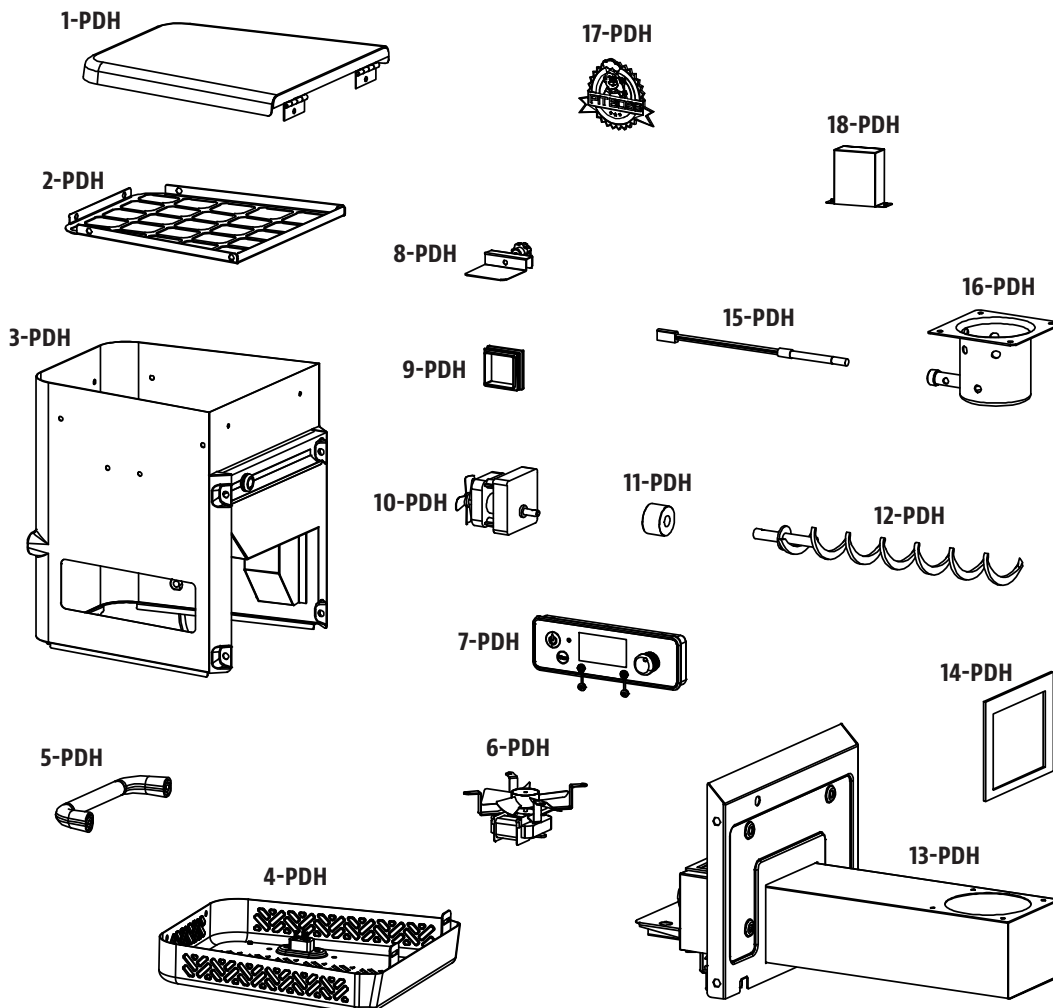


# PB550G PELLETKAMMER-ERSATZTEILE

Teilenummer	Beschreibung
1-PDH	Deckel Pelletkammer (x1)
2-PDH	Sicherheitsgitter Pelletkammer (x1)
3-PDH	Gehäuse Pelletkammer (x1)
4-PDH	Zugangsabdeckung Pelletkammer (x1)
5-PDH	Griff Pelletkammer (x1)
6-PDH	Verbrennungslüfter (x1)
7-PDH	Pit Boss®-Steuerpanel (x1)
8-PDH	Füllrohrblech (x1)
9-PDH	Füllrohrabdeckung (x1)

Teilenummer	Beschreibung
10-PDH	Motor Förderschnecke (x1)
11-PDH	Nylonbuchse (x1)
12-PDH	Gewindeinheit Förderschnecke (x1)
13-PDH	Gehäuse Förderschnecke (x1)
14-PDH	Dichtung Pelletkammergehäuse (x1)
15-PDH	Anzünder (x1)
16-PDH	Feuertopf (x1)
17-PDH	Namensblech (x1)
18-PDH	Wasserdichte Abdeckung des Netzkabels (x1)

HINWEIS: Aufgrund der kontinuierlichen Produktweiterentwicklung können Teile ohne Ankündigung geändert werden.

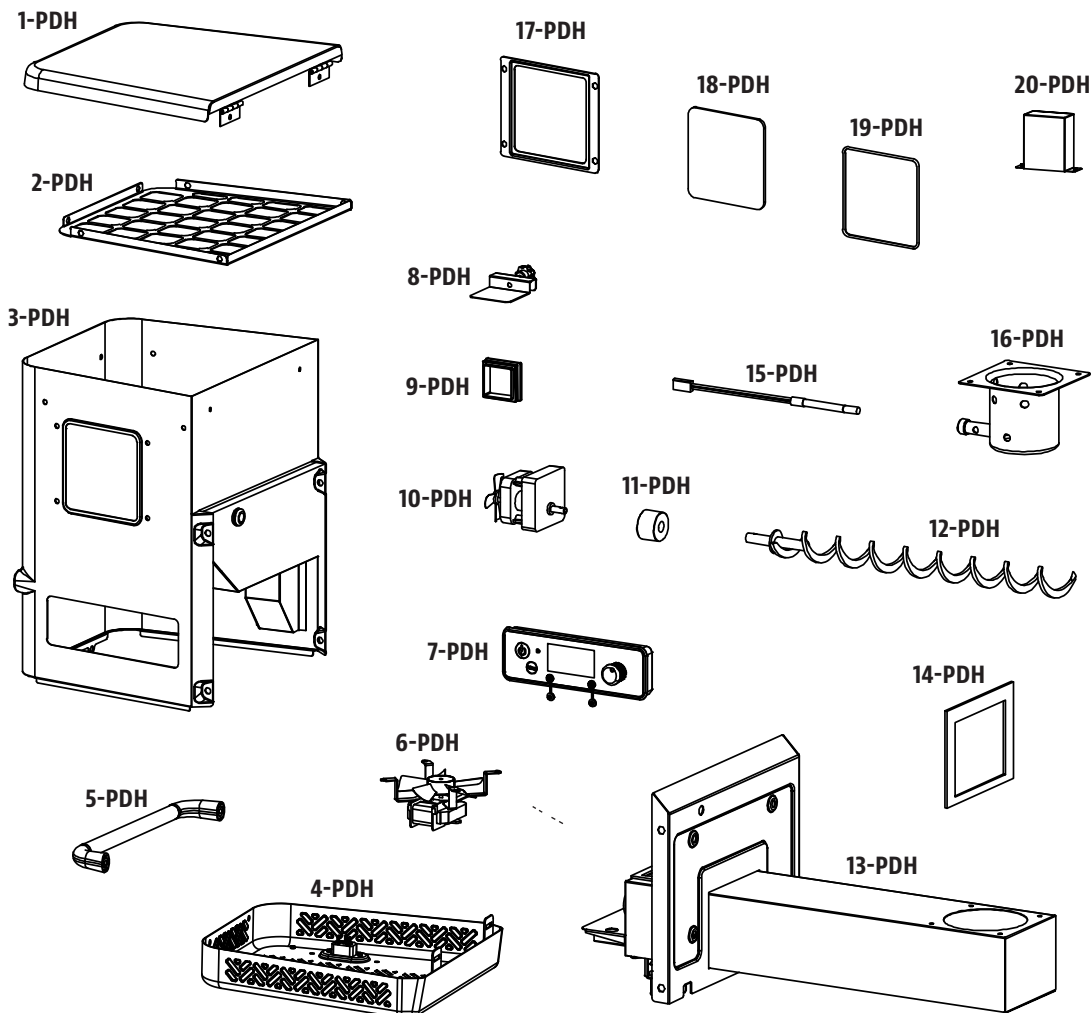


# PB700G / PB850G / PB1150G PELLETKAMMER-ERSATZTEILE

Teilenummer	Beschreibung
1-PDH	Deckel Pelletkammer (x1)
2-PDH	Sicherheitsgitter Pelletkammer (x1)
3-PDH	Gehäuse Pelletkammer (x1)
4-PDH	Zugangsabdeckung Pelletkammer (x1)
5-PDH	Griff Pelletkammer (x1)
6-PDH	Verbrennungslüfter (x1)
7-PDH	Pit Boss®-Steuerpanel (x1)
8-PDH	Füllrohrblech (x1)
9-PDH	Füllrohrabdeckung (x1)
10-PDH	Motor Förderschnecke (x1)

Teilenummer	Beschreibung
11-PDH	Nylonbuchse (x1)
12-PDH	Gewindeeinheit Förderschnecke (x1)
13-PDH	Gehäuse Förderschnecke (x1)
14-PDH	Dichtung Pelletkammergehäuse (x1)
15-PDH	Anzünder (x1)
16-PDH	Feuertopf (x1)
17-PDH	Glasplatte (x1)
18-PDH	Glas (x1)
19-PDH	Gummidichtung (x1)
20-PDH	Wasserdichte Abdeckung des Netzkabels (x1)

HINWEIS: Aufgrund der kontinuierlichen Produktweiterentwicklung können Teile ohne Ankündigung geändert werden.



# GARANTIE

## BEDINGUNGEN

Alle Holzpelletgrills von Pit Boss®, hergestellt von Dansons Inc., verfügen ab Verkaufsdatum über eine beschränkte Garantie für den Originalkäufer. Die Garantie beginnt mit dem tatsächlichen Kaufdatum und der Nachweis des Kaufdatums oder eine Kopie der Originalrechnung sind notwendig, um die Garantieansprüche zu belegen. Kunden haben die Kosten für Teile, den Versand und die Bearbeitung selbst zu tragen, wenn sie keinen Kaufnachweis vorlegen können oder die Garantie abgelaufen ist.

Dansons gewährt fünf (5) Jahre Garantie für Mängel und Bearbeitungsfehler auf alle Teile und fünf (5) Jahre auf elektrische Komponenten. Dansons garantiert für die Nutzungs- und Eigentumsdauer des Originalkäufers, dass alle Teile frei von Material- und Verarbeitungsfehlern sind. Die Garantie umfasst keine Schäden aufgrund von Verschleiß wie zum Beispiel Kratzer, Dellen, Beulen, Absplitterungen oder geringfügige kosmetische Risse. Diese ästhetischen Veränderungen des Grills haben keinen Einfluss auf seine Leistung. Die Reparatur oder der Ersatz jeglicher Teile verlängert den eingeschränkten Garantiezeitraum nicht über die fünf (5) Jahre ab Kaufdatum hinaus.

Für die Dauer der Garantie beschränkt sich Dansons Verpflichtung auf die Bereitstellung eines Ersatzes für fehlerhafte und/oder defekte Komponenten. Innerhalb des Garantiezeitraums wird Dansons keine Gebühren für die Reparatur oder den Ersatz von eingesendeten Teilen erheben, bei vorausbezahltem Versand, wenn sich bei der Überprüfung durch Dansons herausstellt, dass das/die Teil(e) fehlerhaft ist/sind. Dansons haftet nicht für Versandgebühren, Arbeitskosten oder Ausfuhrzölle. Soweit in den Garantiebedingungen nichts Anderes festgelegt wurde, erfüllt die Reparatur oder der Ersatz der Teile in der Art und für die Dauer, die im Vorausgegangenen genannt wurden, alle direkten und abgeleiteten Verbindlichkeiten und Verpflichtungen, die Dansons Ihnen gegenüber hat.

Dansons ergreift alle Vorsichtsmaßnahmen und verwendet Materialien, die rosthemmend sind. Trotz dieser Sicherheitsmaßnahmen können die schützenden Beschichtungen durch verschiedenste Substanzen und Umstände, auf die Dansons keinen Einfluss hat, beschädigt werden. Hohe Temperaturen, zu hohe Feuchtigkeit, Chlor, industrielle Dämpfe, Düngemittel, Pflanzenschutzmittel für den Rasen und Salz sind einige der Substanzen, die Metallbeschichtungen angreifen können. Aus diesen Gründen erstreckt sich die Garantie nicht auf Rosten oder Oxidieren, es sei denn, die strukturelle Integrität der Grillkomponente geht verloren. Sollte einer der oben genannten Fälle eintreten, lesen Sie den Abschnitt Pflege und Wartung durch, um die Lebensdauer Ihres Geräts zu verlängern. Dansons empfiehlt die Verwendung einer Grillabdeckung, wenn der Grill nicht in Gebrauch ist.

Diese Garantie geht von normalem Hausgebrauch und normaler Pflege des Grills aus; der Umfang der beschränkten Garantie erstreckt sich nicht auf einen Grill, der für kommerzielle Anwendungen genutzt wurde.

## AUSNAHMEN

Für Pit Boss® Grills gibt es keine schriftliche oder implizierte Leistungsgarantie, da der Hersteller keinen Einfluss hat auf den Aufbau, den Betrieb, die Reinigung, die Wartung oder die Art des Brennstoffs, der verfeuert wird. Diese Garantie hat keine Gültigkeit und Dansons wird keine Verantwortung übernehmen, wenn Ihr Gerät nicht streng gemäß diesem Benutzerhandbuch aufgebaut, betrieben, gesäubert und gewartet wurde. Jede Verwendung von Gas, die nicht in diesem Handbuch beschrieben wird, kann den Verfall der Garantie nach sich ziehen. Die Garantie umfasst keine Bruchschäden oder Schäden aufgrund von Missbrauch, falscher Handhabung oder Modifizierungen.

Weder Dansons noch autorisierte Pit Boss® Händler übernehmen Verantwortung, rechtlich oder auf andere Weise, für Begleit- oder Folgeschäden am Eigentum oder an Personen, die durch die Verwendung des Produkts entstehen. Wenn aufgrund einer Verletzung dieser Garantie oder jeglicher anderen Art von Garantie, die das Gesetz vorsieht oder impliziert, ein Anspruch gegen Dansons erhoben wird, ist der Hersteller keinesfalls haftbar für Spezial-, Begleit-, Folge- oder andere Schäden jeglicher Art, die über den Originalkauf des Produkts hinausgehen. Alle Garantien des Herstellers sind hierin festgehalten und keinerlei Ansprüche sollen gegen den Hersteller erhoben werden ohne Garantie oder Stellungnahme.

Einige Bundesstaaten erlauben keine Ausschlüsse oder Einschränkungen von Begleit- oder Folgeschäden oder Einschränkungen von impliziten Garantien. Daher gelten die Einschränkungen und Ausschlüsse, die in dieser beschränkten Garantie angeführt werden, möglicherweise nicht für Sie. Diese beschränkte Garantie gewährt Ihnen besondere gesetzliche Rechte, und Sie haben möglicherweise weitere Rechte, die von Bundesstaat zu Bundesstaat unterschiedlich sein können.

## ERSATZTEILE BESTELLEN

Zur Bestellung von Ersatzteilen wenden Sie sich an Ihren Pit Boss® Händler vor Ort oder besuchen Sie unseren Online-Shop unter: [www.pitboss-grills.com](http://www.pitboss-grills.com)

## KONTAKTIEREN SIE DEN KUNDENSERVICE

Wenn Sie Fragen oder Probleme haben, wenden Sie sich an den Kundenservice, Montag bis Sonntag, 4 - 20 Uhr PST (EN/FR/ES).  
**service@pitboss-grills.com | Toll-Free: 1-877-303-3134 | Toll-Free Fax: 1-877-303-3135**

## GARANTIESERVICE

Wenden Sie sich an den nächsten Pit Boss® Händler für Reparaturen oder Ersatzteile. Dansons Inc. benötigt einen Kaufnachweis, um einen Garantieanspruch zu begründen. Bewahren Sie daher Ihren Originalkaufbeleg oder Ihre Rechnung zur zukünftigen Verwendung auf. Die Serien- und Modellnummer Ihres Pit Boss® finden Sie auf der Rückseite der Pelletkammer. Notieren Sie die Zahlen unten, da das Etikett mit der Zeit abgegriffen oder unleserlich werden kann.

---

MODELL

---

SERIENNUMMER

---

KAUFDATUM

---

AUTORISIERTER HÄNDLER

DE

DEUTSCHE

# INFORMAZIONI SULLA SICUREZZA

**LE CAUSE PRINCIPALI DEGLI INCENDI DEGLI APPARECCHI SONO UNA SCARSA MANUTENZIONE E IL MANCATO RISPETTO DELLE DISTANZE NECESSARIE PER I MATERIALI INFIAMMABILI. È DELLA MASSIMA IMPORTANZA CHE QUESTO PRODOTTO VENGA UTILIZZATO SOLO IN CONFORMITÀ ALLE ISTRUZIONI RIPORTATE DI SEGUITO.**

Leggere e comprendere l'intero manuale prima di tentare di assemblare, azionare o installare il prodotto. In questo modo si potrà godere della nuova griglia a pellet di legno senza inconvenienti. Si consiglia inoltre di conservare questo manuale per riferimento futuro.

## PERICOLI E AVVERTENZE

**È necessario contattare l'associazione di proprietari, i funzionari del settore edilizia o i vigili del fuoco locali o l'autorità competente per ottenere i permessi necessari, il mandato o le informazioni su eventuali restrizioni per l'installazione, come l'installazione della griglia su una superficie infiammabile, i requisiti di ispezione o anche la possibilità di utilizzo nella propria area.**

1. È necessario mantenere una distanza minima di 914 mm (36 pollici) dalle strutture infiammabili ai lati della griglia e di 914 mm (36 pollici) tra la parte posteriore retro della griglia alle strutture infiammabili. **Non installare l'apparecchio su pavimenti infiammabili o protetti da superfici infiammabili, a meno che non si ottengano permessi e autorizzazioni adeguati da parte delle autorità competenti.** Non utilizzare questa apparecchiatura in ambienti interni o in aree chiuse e non ventilate. Questa apparecchiatura a pellet di legno non deve essere posizionata sotto un soffitto o un oggetto sospeso infiammabile. Conservare la griglia in un'area sgombra da materiali infiammabili, benzina e altri vapori e liquidi infiammabili.

**Se dovesse bruciare del grasso, spegnere la griglia e lasciare il coperchio chiuso fino a quando il fuoco non si spegne. Scollegare il cavo di alimentazione dalla presa collegata. Non gettare acqua sull'apparecchiatura. Non cercare di soffocare l'incendio. È utile tenere in loco un estintore approvato di qualsiasi classe (A, B o C). Se si verifica un incendio incontrollato, contattare il corpo dei vigili del fuoco.**

2. Tenere cavi di alimentazione e combustibile lontano dalle superfici riscaldate. Non utilizzare la griglia sotto la pioggia o vicino a fonti d'acqua.
3. Dopo un periodo di conservazione o inutilizzo, controllare che la graticola non presenti ostruzioni, che nella tramoggia non vi siano corpi estranei e che non vi siano ostruzioni intorno alla presa di aspirazione, al camino o ai fori di scarico della camera posteriore. Pulire prima dell'uso. Per prolungare la durata dell'unità è necessaria una manutenzione regolare. **Se la griglia viene conservata all'esterno durante la stagione delle piogge o quando l'umidità è elevata, adottare opportune precauzioni affinché l'acqua non penetri nella tramoggia.** Quando è bagnato o esposto a forte umidità, il pellet di legno si espande notevolmente, si decompone e può intasare il sistema di alimentazione. Scollegare sempre l'alimentazione prima di eseguire qualsiasi intervento di assistenza o manutenzione.

**Non trasportare la griglia quando è in uso o è rovente. Assicurarsi che il fuoco sia completamente spento e che la griglia sia completamente fredda al tatto prima di spostarla.**

4. Si consiglia di utilizzare guanti per barbecue o altri guanti resistenti al calore quando si utilizza la griglia. Non utilizzate accessori non specificati per l'uso con questo apparecchio. Non collocare coperture per barbecue o altro materiale infiammabile nel ripiano sotto il barbecue.
5. Per evitare che dita, indumenti o altri oggetti vengano a contatto con il sistema di alimentazione della coclea, l'apparecchio è dotato di una protezione in metallo, montata all'interno della tramoggia. Questa protezione non deve essere rimossa a meno che non sia richiesto dal Servizio clienti o da un concessionario autorizzato.

**L'uso di questo apparecchio non è consigliato per bambini, persone con capacità fisiche, sensoriali o mentali ridotte o mancanza di esperienza e conoscenza, a meno che non siano sotto la supervisione diretta o seguano le istruzioni di una persona responsabile della loro sicurezza.**

6. Le parti della griglia possono essere roventi e possono provocare lesioni gravi. Tenere lontani i bambini e gli animali domestici durante l'uso.
7. Non allargare i fori del dispositivo di accensione o i recipienti di combustione. La mancata osservanza di questa avvertenza può causare un rischio di incendio e danni fisici e invalidare la garanzia.

8. Il prodotto potrebbe avere bordi o punti taglienti. Il contatto può causare lesioni. Maneggiare con cura.

## SMALTIMENTO DELLE CENERI

Le ceneri devono essere collocate in un contenitore metallico con un coperchio a tenuta. Il contenitore delle ceneri chiuso deve essere collocato su un pavimento non infiammabile o al suolo, ben lontano da tutti i materiali infiammabili, in attesa dello smaltimento finale. Quando si smaltiscono le ceneri per interrimento o disperdendole in loco con altri metodi, dovrebbero essere tenute in un contenitore chiuso fino a quando le braci non si siano raffreddate completamente.

## PELLET DI LEGNO

Questo apparecchio per la cottura a pellet è progettato e approvato solo per il legno pellettizzato completamente naturale. La combustione di qualsiasi altro tipo di combustibile in questo apparecchio invaliderà la garanzia e l'informativa sulla sicurezza. È necessario utilizzare solo pellet di legno naturale, studiato per la combustione in griglie per barbecue a pellet. Non utilizzare combustibile con additivi. I pellet di legno sono altamente sensibili all'umidità e dovrebbero essere conservati sempre in un contenitore ermetico. Quando si ripone la griglia inutilizzata per un periodo prolungato, consigliamo di eliminare tutti i pellet dalla tramoggia e dalla coclea per evitarne l'intasamento.

**Non usare alcool, benzina, liquido infiammabile o kerosene per accendere o ravvivare il fuoco nella griglia. Durante l'uso, tenere questi liquidi lontano dall'apparecchio.**

Al momento della stampa, non esiste uno standard industriale per i pellet di legno per barbecue, anche se la maggior parte dei mulini a pellet utilizza gli stessi standard per produrre pellet di legno per uso domestico. Per ulteriori informazioni, consultare il sito Web [www.pelletheat.org](http://www.pelletheat.org) o il *Pellet Fuel Institute*.

Contattare il rivenditore locale per informazioni sulla qualità dei pellet nella propria zona e per informazioni sulla qualità del marchio. Poiché non vi è alcun controllo sulla qualità dei pellet utilizzati, non ci assumiamo alcuna responsabilità per i danni causati dalla scarsa qualità del combustibile.

## CREOSOTO

Il creosoto, o fuliggine, è una sostanza simile al catrame. Quando brucia, produce fumo nero con un residuo anch'esso di colore nero. La fuliggine o il creosoto si formano quando l'apparecchio viene azionato in modo non corretto, ad esempio quando si verificano le seguenti condizioni: blocco della ventola di combustione, mancata pulizia e manutenzione dell'area di combustione, pellet umido, scarso tiraggio.

È pericoloso utilizzare questo apparecchio se la fiamma diventa scura, fuliginosa o se il recipiente di combustione è riempito eccessivamente di pellet. All'accensione, questo creosoto produce una fiamma estremamente calda e incontrollata, simile a quella sprigionata dal grasso che brucia. In questo caso, SPEGNERE l'unità, lasciarla raffreddare completamente, quindi controllare se è necessario eseguire interventi di manutenzione e pulizia. Si accumula comunemente lungo le aree di scarico.

Se all'interno dell'unità si è formato del creosoto, lasciare che l'unità si riscaldi a bassa temperatura, spegnere l'apparecchio, quindi eliminare qualsiasi accumulo con un asciugamano. Come il catrame, è molto più facile da pulire quando è caldo perché diventa liquido.

## MONOSSIDO DI CARBONIO ("IL KILLER SILENZIOSO")

Il monossido di carbonio è un gas incolore, inodore e insapore prodotto dalla combustione di gas, legno, propano, carbone o altro combustibile. Il monossido di carbonio riduce la capacità del sangue di trasportare ossigeno. Bassi livelli di ossigeno nel sangue possono causare mal di testa, vertigini, debolezza, nausea, vomito, sonnolenza, confusione, perdita di coscienza o morte. Seguire le seguenti linee guida per evitare che questo gas incolore e inodore avveleni l'utilizzatore della griglia, la sua famiglia o altre persone:

- Consultare un medico se durante la cottura o in prossimità dell'apparecchio avvertite sintomi simili a quelli del raffreddore o dell'influenza. L'avvelenamento da monossido di carbonio, che può essere facilmente scambiato per un raffreddore o un'influenza, viene spesso scoperto troppo tardi.
- Il consumo di alcol e droghe aumenta gli effetti dell'avvelenamento da monossido di carbonio.

Il monossido di carbonio è particolarmente tossico per la madre e il bambino durante la gravidanza, per i neonati, gli anziani, i fumatori e le persone con problemi del sangue o del sistema circolatorio, come l'anemia, o con malattie cardiache.

## INFORMATIVA SULLA SICUREZZA

Conforme a EN 60335-2-102:2016, EN 60335-1:2012 + A11:2014 + A13:2017 + A1: 2021 + A14: 2021 + A2: 2021, EN62233: 2008, EN 55014-1:2017, EN 61000-3-2:2014, EN 61000-3-3:2013, EN 55014-2:2015.



# SOMMARIO

Informazioni sulla sicurezza .....	109	Parti di ricambio	
Istruzioni operative		PB550G Parti di ricambio griglia .....	123
Ambiente della griglia.....	112	PB700G Parti di ricambio griglia.....	125
Intervalli di temperatura della griglia.....	113	PB850G Parti di ricambio griglia.....	127
Come funziona la scheda di controllo .....	113	PB1150G Parti di ricambio griglia.....	129
Come funzionano le sonde.....	114	PB550G Parti di ricambio tramoggia .....	131
Come funziona l'impostazione "P" .....	115	PB700G / PB850G / PB1150G Parti di ricambio tramoggia .....	132
Procedura di adescamento tramoggia.....	115	Garanzia	
Primo utilizzo – sterilizzazione della griglia .....	115	Condizioni .....	133
Procedura di Avvio automatico.....	116	Eccezioni .....	133
Procedura di Avvio manuale.....	116	Come ordinare le parti di ricambio.....	134
Spegnimento della griglia .....	116	Contattare il Servizio clienti .....	134
Cura e manutenzione .....	117	Assistenza in garanzia .....	134
Suggerimenti e tecniche .....	119		
Risoluzione dei problemi.....	120		
Schema dei fili elettrici.....	122		



## AVVISO SUL COPYRIGHT

Copyright 2021. Tutti i diritti riservati. Nessuna parte del presente manuale può essere copiata, trasmessa, trascritta, memorizzata in un sistema di recupero dati, in qualsiasi forma o con qualsiasi mezzo senza espressa autorizzazione scritta di,

### Dansons

3411 North 5th Avenue, Suite 500, Phoenix, AZ, USA 85013  
sales@pitboss-grills.com | service@pitboss-grills.com  
[www.pitboss-grills.com](http://www.pitboss-grills.com)

### Servizio clienti

Da lunedì a domenica, dalle 4 alle 20 PST (EN/FR/ES)

**Numero verde (telefono): 1-877-303-3134; fax: 1-877-303-3135**

# ISTRUZIONI OPERATIVE

Con l'attuale tendenza a un'alimentazione sana e nutriente, un fattore da considerare è l'importanza di ridurre l'assunzione di grassi. Uno dei modi migliori per ridurre il grasso nella dieta è quello di utilizzare un metodo di cottura a basso contenuto di grassi, come la cottura alla griglia. Quando la griglia a pellet funziona con pellet di legno naturale, il sapore deciso del legno penetra nelle carni, riducendo la necessità di utilizzare salse ad alto contenuto di zuccheri. In questo manuale, si pone in risalto la cottura lenta degli alimenti a temperature BASSE o MEDIE.

## AMBIENTE DELLA GRIGLIA

### 1. DOVE ALLESTIRE LA GRIGLIA

Come per tutti gli elettrodomestici all'aperto, le condizioni meteorologiche esterne svolgono un ruolo importante per le prestazioni della griglia e il tempo di cottura necessario per una cottura perfetta.

Tutte le unità Pit Boss® devono rispettare una distanza minima di 914 mm dalle strutture infiammabili e questa distanza deve essere mantenuta quando la griglia è in funzione. Questa apparecchiatura a pellet di legno non deve essere posizionata sotto un soffitto o oggetti infiammabili sospesi. Conservare la griglia in un'area sgombra da materiali infiammabili, benzina e altri vapori e liquidi infiammabili.

### 2. COTTURA QUANDO FA FREDDO

Anche se fuori rinfresca, la stagione dei barbecue non è certo finita! L'aria fresca e la fragranza paradisiaca degli alimenti affumicati sono un rimedio ai malumori invernali.

Seguire questi suggerimenti su come utilizzare la griglia durante i mesi più freddi:

- Se non si riesce ad affumicare alle basse temperature, aumentare leggermente la temperatura per ottenere gli stessi risultati.
- Organizzarsi – Preparare tutto l'occorrente in cucina prima di uscire all'aperto. Durante l'inverno, spostare la griglia in un'area non esposta al vento e al freddo diretto. Controllare le disposizioni locali in materia di vicinanza della griglia alla casa e/o ad altre strutture. Porre tutto l'occorrente su un vassoio, impacchettarlo bene e mettersi all'opera!
- Per monitorare meglio la temperatura esterna, posizionare un termometro all'aperto vicino all'area di cottura. Tenere un diario degli alimenti cucinati, della temperatura esterna e del tempo di cottura. Il diario si rivelerà utile successivamente per determinare che cosa cucinare e quanto tempo richiederà la cottura.
- Quando fa molto freddo, aumentare il tempo di preriscaldamento di almeno 20 minuti.
- Evitare di sollevare il coperchio più del necessario. Le raffiche di vento fredde possono raffreddare completamente la griglia. Prevedere il tempo di servire in tavola con una certa flessibilità; aggiungere tempo di cottura extra ogni volta che si apre il coperchio.
- Preparare un piatto riscaldato o un coperchio per il piatto per mantenere caldo il cibo quando si torna all'interno.
- Gli alimenti ideali da cuocere in inverno sono quelli che richiedono poca attenzione, come arrostiti, polli interi, costole e tacchino. Per semplificare ulteriormente la preparazione dei pasti, aggiungere piatti semplici come verdure e patate.

### 3. COTTURA QUANDO FA CALDO

Poiché fa più caldo all'aperto, il tempo di cottura diminuirà.

Seguire questi suggerimenti su come utilizzare la griglia durante i mesi caldi:

- Ridurre le temperature di cottura. Si eviterà di bruciare il cibo inavvertitamente.
- Usare un termometro per carne per determinare la temperatura interna degli alimenti. Si eviterà di cuocere e asciugare troppo le carni.
- Anche se fa caldo, è sempre meglio cucinare con il coperchio della griglia abbassato.
- Si possono mantenere caldi gli alimenti avvolgendoli in un foglio di alluminio e disponendoli in un contenitore termico. Disporre carta di giornale appallottolata intorno al foglio di alluminio per mantenere il cibo caldo per 3-4 ore.



## INTERVALLI DI TEMPERATURA DELLA GRIGLIA

Le letture della temperatura sulla scheda di controllo potrebbero non corrispondere esattamente a quelle del termometro. Tutte le temperature elencate di seguito sono approssimative e sono influenzate dai seguenti fattori: temperatura ambiente esterna, quantità e direzione del vento, qualità del pellet utilizzato, apertura del coperchio e quantità di cibo da cuocere.

- **ALTA TEMPERATURA (205-260°C/401-500°F)**

Questo intervallo di temperatura è ideale per rosolare e grigliare a temperature elevate. Usare anche il parafiamma (piastra scorrevole) per la cottura alla fiamma indiretta o diretta. Quando il **parafiamma è aperto**, si utilizza la fiamma diretta per ottenere bistecche dal colore vivido, ma anche verdure croccanti, pane tostato all'aglio e altre pietanze. Quando il **parafiamma è chiuso**, l'aria circola intorno alla camera e si utilizza il calore di convezione. La temperatura elevata viene utilizzata anche per preriscaldare la griglia, sterilizzare le griglie di cottura e ottenere un calore elevato in condizioni di freddo estremo.

- **TEMPERATURA MEDIA (135-180°C/275-356°F)**

Questo intervallo di temperatura è ottimale per rosolare, arrostire e terminare la cottura dopo l'affumicatura lenta. Cucinare a queste temperature ridurrà notevolmente le probabilità di bruciare il grasso. Assicurarsi che l'elemento scorrevole del parafiamma sia chiuso e copra le scanalature. Intervallo di temperatura ideale per cuocere gli alimenti avvolti nella pancetta o se si desidera un maggior controllo.

- **BASSA TEMPERATURA (82-125°C/180-257°F)**

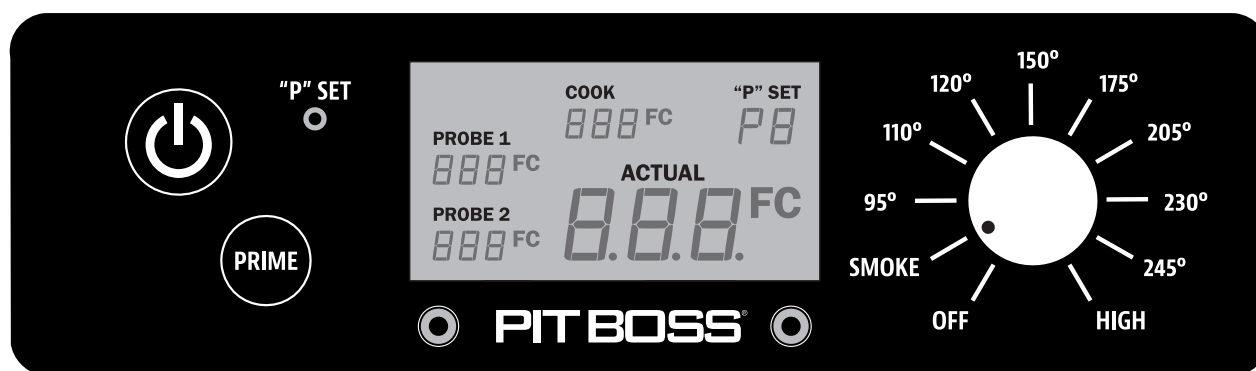
Questo intervallo di temperatura si utilizza per rosolare a fuoco lento, intensificare il sapore affumicato e mantenere gli alimenti caldi. Per conferire un gusto affumicato più deciso e mantenere le carni succose, cuocere più a lungo a una temperatura più bassa (tecnica di cottura detta anche **a fuoco basso e lento**). Intervallo di temperatura consigliato per i tacchini di grossa taglia del giorno del Ringraziamento, il prosciutto succoso a Pasqua o i ricchi pranzi durante le festività.



L'affumicatura è una variante del barbecue vero e proprio ed è il vantaggio principale quando si griglia utilizzando un'unità a pellet di legno. **L'affumicatura a temperatura elevata**, ossia la cottura su fiamma **bassa e lenta**, avviene in genere tra 82-125°C/180-257°F. L'affumicatura a temperatura elevata è adatta quando è necessario un tempo di cottura più lungo, ad esempio per tagli grandi di carne, pesce o pollame.

**SUGGERIMENTO: per intensificare il sapore salato, passare all'intervallo di temperatura SMOKE (bassa temperatura) subito dopo aver posizionato il cibo sulla griglia. In questo modo il fumo ha il tempo di penetrare nelle carni.**

Il segreto è fare esperimenti per stabilire il giusto tempo di affumicatura prima che la cottura sia terminata. Alcuni appassionati di barbecue preferiscono affumicare gli alimenti a fine cottura, così il cibo resta caldo finché non è pronto per essere servito. Ci si perfeziona con la pratica.

## COME FUNZIONA LA SCHEDA DI CONTROLLO



CONTROLLO	DESCRIZIONE
	Premere il <b>pulsante di alimentazione</b> per accendere l'unità. Il pulsante diventa blu se collegato a una fonte di alimentazione. Premere il pulsante di nuovo per spegnere l'unità.
	La <b>manopola di regolazione della temperatura</b> consente di impostare la temperatura di affumicatura desiderata. Dopo aver collegato l'unità a una fonte di alimentazione e premuto il pulsante di alimentazione, ruotare la manopola e selezionare una delle dieci temperature preimpostate, di 82-260°C/180-500°F. Quando si ruota la manopola su una temperatura preimpostata, lo schermo LCD digitale si accende a indicare che è pronto all'uso. Quando la manopola è ruotata in posizione Off, lo schermo LCD digitale rimane spento.

"P" SET  


Il **pulsante di impostazione "P"** consente di selezionare una delle otto regolazioni di precisione quando la manopola di regolazione della temperatura è impostata su Smoke. Premere il pulsante per modificare l'impostazione "P" in base al proprio stile di cottura e all'ambiente di cottura, secondo le proprie preferenze. Con una breve pressione del pulsante, l'impostazione aumenta passando da P0 a P7, ciclicamente. Le regolazioni sono possibili solo con l'impostazione Smoke. L'impostazione predefinita di fabbrica è "P4". Se l'impostazione "P" viene regolata, la propria preferenza verrà bloccata (salvata) fino a quando non verranno effettuate ulteriori regolazioni.

Il **pulsante di impostazione "P"** viene utilizzato anche come **controllo di cambio temperatura** per modificare la lettura della temperatura sullo schermo LCD. Tenere premuta il pulsante per due secondi per passare a Celsius (°C) o Fahrenheit (°F), in base alle proprie preferenze. L'impostazione predefinita è Celsius.



Lo **schermo LCD** viene utilizzato come centro informazioni dell'unità. Visualizza la temperatura desiderata, quella effettiva e la temperatura della sonda carni (se collegata). Se è collegata una sola sonda carni, verrà visualizzata una sola lettura.

PRIME  


Tenere premuto il **pulsante Prime** per consentire un maggiore afflusso di pellet nel bruciatore. Si può ricorrere a questa operazione per introdurre più combustibile prima di aprire il coperchio della camera per un rapido recupero del calore oppure durante l'affumicatura, per rendere più intenso e deciso il gusto affumicato. Caratteristica richiesta dai cuochi provetti.

SMOKE  


L'**impostazione Smoke** sulla manopola di regolazione della temperatura corrisponde alla modalità iniziale dell'unità. La griglia funziona alla temperatura minima, senza produrre la fiamma.



Le porte di collegamento a innesto sulla parte anteriore della scheda di controllo sono dedicate a **una o più sonde carni**. Quando è collegata una sonda carni, la relativa temperatura viene visualizzata sullo schermo LCD. Quando la sonda carni non è in uso, scollegarla dalla porta di connessione. *L'unità è compatibile solo con le sonde carni a marchio Pit Boss®. Ulteriori sonde carni sono acquistabili separatamente.*



## COME FUNZIONANO LE SONDE

### • SONDA TEMPERATURA

All'interno della camera principale, sulla parete sinistra, si trova la sonda di temperatura. È un piccolo componente verticale in acciaio inossidabile. La sonda temperatura misura la temperatura interna dell'unità. Quando la temperatura viene regolata sulla scheda di controllo, la sonda temperatura leggerà la temperatura effettiva all'interno dell'unità e consentirà di regolare la temperatura desiderata.

**IMPORTANTE:** la temperatura dell'unità è fortemente influenzata dalle condizioni atmosferiche esterne, dalla qualità del pellet utilizzato, dall'aroma del pellet e dalla quantità di cibo da cuocere.

### • SONDA CARNI

La sonda carni misura la temperatura interna della carne nella griglia, come avviene per i forni da cucina. Collegare l'adattatore per la sonda carni alla porta di connessione della sonda, sulla scheda di controllo, e inserire la sonda carni in acciaio inossidabile nella parte più spessa della carne. La temperatura verrà visualizzata sulla scheda di controllo. **Per assicurarsi che la sonda carni sia collegata correttamente alla porta di connessione, provare ad avvertirne lo scatto quando la sonda si blocca in posizione.**

**NOTA:** quando si introduce la sonda carni nella carne, assicurarsi che la sonda e i suoi fili non siano a contatto diretto con la fiamma ed evitare il calore eccessivo per non danneggiare la sonda carni. Estrarre la porzione di filo non necessaria dai fori di scarico posteriori della griglia principale o dalla parte superiore della griglia principale (vicino alla cerniera del coperchio della griglia). Quando non si utilizza la sonda carni, scollegarla dalla porta di connessione e riporla per mantenerla pulita e protetta.

## COME FUNZIONA L'IMPOSTAZIONE "P"

Quando si preme il pulsante di IMPOSTAZIONE "P" incassato, l'impostazione "P" visualizzata sullo schermo LCD lampeggia e passa al valore successivo (più alto). Una volta raggiunto il valore P7, il sistema ritorna a P0. Sono disponibili otto impostazioni "P", che vanno da P0 a P7. Il pulsante di IMPOSTAZIONE "P" incassato può essere premuto utilizzando un oggetto con punta sottile.

**IMPORTANTE: non premere troppo a fondo il pulsante di IMPOSTAZIONE "P" per non provocare danni. È necessaria solo una leggera pressione.**

### • USO DELL'IMPOSTAZIONE "P" IN MODALITÀ SMOKE

Ogni volta che la manopola di regolazione della temperatura è impostata su SMOKE, ad esempio durante il ciclo di avvio, la coclea funzionerà con più modalità manuali di cottura rispetto a quando si utilizza una sola temperatura preimpostata. All'inizio la coclea ruota continuamente e alimenta i pellet per quattro minuti. Dopo quattro minuti, la coclea inizia un ciclo di alimentazione basato sull'impostazione "P" selezionata sulla scheda di controllo digitale. L'impostazione predefinita è P4.

IMPOSTAZIONE "P"	CICLO COCLEA (secondi)	
	ACCESO	SPENTO
P0	18	55
P1	18	70
P2	18	85
P3	18	100
*P4	<b>18</b>	<b>115</b>
P5	18	130
P6	18	140
P7	18	150

\* *Impostazione predefinita di fabbrica*

## PROCEDURA DI ADESCAMENTO TRAMOGGIA

Queste istruzioni devono essere seguite la prima volta che la griglia viene accesa e ogni volta che i pellet si esauriscono nella tramoggia. La coclea deve essere innescata prima che i pellet possano attraversarla e riempire il bruciatore. **Se non è innescata, il dispositivo di accensione si disattiva prima che i pellet vengano bruciati e il fuoco non si accende.** Per adescare la tramoggia, procedere come segue:

1. Aprire il coperchio della tramoggia. Assicurarsi che non vi siano corpi estranei nella tramoggia o oggetti che bloccano il sistema di alimentazione della coclea, posizionato nella parte inferiore.
2. Rimuovere tutti i componenti di cottura dall'interno della griglia. Individuare il bruciatore nella parte inferiore della camera principale.
3. Collegare il cavo di alimentazione a una fonte di alimentazione. Premere il **pulsante di alimentazione** per accendere l'unità e ruotare la **manopola di regolazione della temperatura** fino alla posizione SMOKE. Controllare quanto segue:
  - Si sente girare la coclea. Posizionare la mano al di sopra del bruciatore e cercare di percepire lo spostamento d'aria. Non posizionare la mano o le dita all'interno del bruciatore per evitare incidenti.
  - Dopo circa un minuto, si dovrebbe sentire l'odore del dispositivo di accensione in funzione e percepire l'aria che diventa più calda nel bruciatore. La punta del dispositivo di accensione non è di colore rosso incandescente, ma diventa estremamente calda e può causare ustioni. Non toccare il dispositivo di accensione.
4. Una volta verificato il corretto funzionamento di tutti i componenti elettrici, premere il **pulsante di alimentazione** per spegnere l'unità.
5. Riempire la tramoggia con pellet di legno al 100% naturale per barbecue.
6. Premere il **pulsante di alimentazione** per accendere l'unità. Mantenere la **manopola di regolazione della temperatura** sulla posizione SMOKE. Premere e tenere premuto il **pulsante Prime** fino a quando non si vedono i pellet all'interno della griglia dal tubo della coclea. Una volta che i pellet iniziano a cadere nel bruciatore, rilasciare il **pulsante Prime**.
7. Premere il **pulsante di alimentazione** per spegnere l'unità.
8. Rimontare i componenti di cottura nella camera principale. La griglia è ora pronta per l'uso. Per montare correttamente i componenti di cottura vedere le *Istruzioni di montaggio*.

## PRIMO UTILIZZO: STERILIZZAZIONE DELLA GRIGLIA

Una volta che la tramoggia è stata innescata e prima di utilizzare la griglia per la prima volta, è importante sterilizzare la griglia. Avviare la griglia e azionarla a qualsiasi temperatura superiore a 176°C/350°F (con il coperchio abbassato) per 30-40 minuti per accendere la griglia e liberarla da qualsiasi materiale estraneo.

## PROCEDURA DI AVVIO AUTOMATICO

1. Collegare il cavo di alimentazione a una fonte di alimentazione dotata di messa a terra. Aprire il coperchio della camera principale. Controllare il bruciatore per accertarsi che non vi siano ostacoli a un'accensione corretta. Aprire il coperchio della tramoggia. Accertarsi che non vi siano corpi estranei nella tramoggia o nel sistema di alimentazione della coclea. Riempire la tramoggia con pellet secco per barbecue, al 100% di legno naturale.
2. Assicurarci che la **manopola di regolazione della temperatura** sia IN POSIZIONE SMOKE. Premere il **pulsante di alimentazione** per accendere l'unità. In questo modo si attiva il ciclo di avvio. Il sistema di alimentazione della coclea inizia a girare, il dispositivo di accensione inizia ad accendersi e la ventola fornisce aria al bruciatore. La griglia inizierà a produrre fumo durante il ciclo di avvio. In questa fase il coperchio della camera deve rimanere aperto. Per essere certi che il ciclo di avvio sia iniziato correttamente, controllare se si avverte un fruscio simile a quello di una torcia e notare se viene prodotto un po' di calore.
3. Una volta che il fumo bianco e pesante si è dissipato, il ciclo di avvio è completo e si può utilizzare la griglia alla temperatura desiderata.

## PROCEDURA DI GUASTO DEL DISPOSITIVO DI ACCENSIONE

**Se per qualsiasi motivo il dispositivo di accensione elettrico si guasta o la fiamma della griglia si spegne durante una cottura, eseguire i seguenti passaggi o avviare la griglia utilizzando il metodo manuale.**

1. Assicurarci che la **manopola di regolazione della temperatura** sia spenta e in posizione SMOKE. Aprire il coperchio della camera. Rimuovere i componenti di cottura dall'interno. Rimuovere tutti i pellet incombusti e le ceneri dal bruciatore. Non toccare il dispositivo di accensione per evitare lesioni, poiché potrebbe essere estremamente caldo.
2. Una volta rimossi e puliti tutti i componenti di cottura, premere il **pulsante di alimentazione** per accendere l'unità. Controllare quanto segue:
  - Verificare visivamente che il dispositivo di accensione funzioni posizionando la mano al di sopra del bruciatore e cercando di percepire il calore.
  - Verificare visivamente che il dispositivo di accensione sporga di circa 13 mm nel bruciatore.
  - Verificare visivamente che dalla coclea cadano pellet nel bruciatore.
  - Verificare che la ventola di combustione funzioni cercando di percepire un fruscio simile a quello di una torcia.
3. Se uno qualsiasi dei punti precedenti non si verifica, seguire le istruzioni per la **risoluzione dei problemi**.

## PROCEDURA DI AVVIO MANUALE

1. Assicurarci che la **manopola di regolazione della temperatura** sia in posizione **SMOKE**. Collegare il cavo di alimentazione a una fonte di alimentazione dotata di messa a terra.
2. Controllare il bruciatore per accertarsi che non vi siano ostacoli a un'accensione corretta. Aprire il coperchio della tramoggia. Accertarsi che non vi siano corpi estranei nella tramoggia o nel sistema di alimentazione della coclea. Riempire la tramoggia con pellet secco per barbecue, al 100% di legno duro naturale.
3. Aprire il coperchio della camera. Rimuovere i componenti di cottura per esporre il bruciatore. Introdurre una manciata generosa di pellet nel bruciatore. Cospargere il pellet con una sostanza di innesco in gel o un'altra sostanza di innesco del pellet appropriata. Sono idonee anche piccole quantità di sostanze di innesco solide, ad esempio un composto di segatura e cera o trucioli di legno. Aggiungere un'altra piccola quantità di pellet nel bruciatore.

**NOTA: non usare alcool, benzina, liquido infiammabile o cherosene per accendere o ravvivare il fuoco nella griglia.**

4. Per illuminare il contenuto del bruciatore usare un fiammifero lungo o un accendino dal manico lungo. Lasciar bruciare la sostanza di innesco per 3-5 minuti. Non tentare di aggiungere altre quantità della sostanza nel bruciatore, per evitare incidenti.
5. Sostituire rapidamente e con cautela i componenti di cottura nella camera principale. Passare al secondo passaggio della **procedura di avvio automatico**.

## SPEGNIMENTO DELLA GRIGLIA

1. Al termine della cottura, con il coperchio della camera principale ancora chiuso, premere il **pulsante di alimentazione** per spegnere l'unità e ruotare la **manopola di regolazione della temperatura** su OFF.

# CURA E MANUTENZIONE

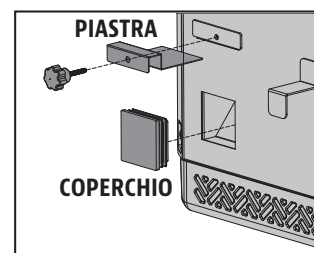
Qualsiasi unità Pit Boss® offrirà molti anni di deliziose cotture con una minima pulizia. Seguire questi suggerimenti per la pulizia e la manutenzione della griglia:

## 1. GRUPPO TRAMOGGIA

- La tramoggia è dotata di una funzione di pulizia per facilitare la pulizia e consentire di passare a pellet con aromi diversi. Per svuotare, posizionare la piastra e il coperchio dello scivolo di caduta sul lato posteriore della tramoggia. Posizionare un secchio pulito e vuoto sotto il coperchio dello scivolo di caduta, quindi rimuovere il coperchio. Svitare la piastra e farla scorrere verso l'esterno per rimuovere tutti i pellet.

**NOTA: per una pulizia completa della protezione tramoggia utilizzare una spazzola a manico lungo o un aspirapolvere per rimuovere pellet, segatura e residui in eccesso.**

- Se la griglia non viene utilizzata per un lungo periodo di tempo, si consiglia di estrarre tutti i pellet dal sistema della coclea. A questo scopo è sufficiente azionare la griglia, su una tramoggia vuota, finché nel tubo della coclea non rimangono pellet.
- Controllare e rimuovere eventuali residui dalla bocchetta di aspirazione dell'aria della ventola, situata sul fondo della tramoggia. Una volta rimosso il pannello di accesso alla tramoggia (vedere lo **Schema dei fili elettrici**), rimuovere con cautela qualsiasi accumulo di grasso direttamente dalle lame della ventola per garantire un flusso d'aria sufficiente per il sistema di alimentazione.



## 2. SONDE

- I fili della sonda inginocchiati o piegati possono causare danni. I fili delle sonde carni non in uso devono essere arrotolati in modo da formare rotoli larghi e allentati.
- Anche se la sonda temperatura e le sonde carni sono in acciaio inossidabile, non introdurle in lavastoviglie e non immergerle in acqua. I fili interni danneggiati dall'acqua causano il corto-circuito della sonda e false letture. Se una sonda è danneggiata, sostituirla.

## 3. SUPERFICI INTERNE

- Si consiglia di pulire regolarmente il bruciatore dopo pochi utilizzi. Ciò garantisce una corretta accensione e previene l'accumulo di residui o cenere nel bruciatore.
- Utilizzare una spazzola a manico lungo per la pulizia della griglia e rimuovere qualsiasi alimento o accumulo dalle griglie di cottura. È preferibile eseguire quest'operazione quando le parti sono ancora calde dopo la cottura. Gli incendi di grasso sono causati dall'eccessiva caduta di residui sui componenti di cottura della griglia. Pulire l'interno della griglia regolarmente. Se si verifica un incendio di grasso, tenere chiuso il coperchio della griglia per soffocare la fiamma. Se il fuoco non si spegne rapidamente, rimuovere con cautela il cibo, spegnere la griglia e chiudere il coperchio fino a quando il fuoco non sia completamente spento. Cospargere leggermente di bicarbonato di sodio, se disponibile.
- Controllare spesso il secchiello del grasso e pulirlo secondo necessità. Tenere conto del tipo di cottura.

**IMPORTANTE: per il calore elevato, non coprire il parafiamma o le sonde con fogli di alluminio.**

## 4. SUPERFICI ESTERNE

- Pulire la griglia dopo ogni utilizzo. Utilizzare acqua calda e sapone per rimuovere il grasso. Non utilizzare detergenti per forno, detergenti abrasivi o spugne abrasive sulle superfici esterne della griglia. **Tutte le superfici verniciate non sono coperte da garanzia**, ma rientrano nelle operazioni di manutenzione generale. In caso di graffi della vernice, usura o sfaldatura della finitura, tutte le superfici verniciate possono essere ritoccate utilizzando una vernice per barbecue resistente al calore elevato.
- Utilizzare una copertura per griglia per una protezione completa della griglia. Una copertura è la migliore protezione contro le intemperie e gli agenti inquinanti esterni. Quando l'unità non è in uso o viene riposta per un lungo periodo di tempo, conservare l'unità coperta in un garage o in un capanno.

### TABELLA CON LE FREQUENZE DELLA PULIZIA (USO NORMALE)

ELEMENTO	FREQUENZA DELLA PULIZIA	METODO DI PULIZIA
Fondo della griglia principale	Ogni 5-6 grigliate	Rimuovere con una paletta, aspirare i residui in eccesso
Brucciatore	Ogni 2-3 grigliate	Rimuovere con una paletta, aspirare i residui in eccesso
Griglie di cottura	Dopo ogni grigliata	Brucciare i residui in eccesso, utilizzare uno scovolo di metallo
Parafiamma	Ogni 5-6 grigliate	Raschiare la piastra principale con l'elemento scorrevole, <b>non lavare</b>
Ripiano anteriore	Dopo ogni grigliata	Spugna e acqua e sapone
Secchiello del grasso	Dopo ogni grigliata	Spugna e acqua e sapone
Sistema di alimentazione coclea	Quando il sacchetto del pellet è vuoto	Attendere che la coclea espella la segatura, lasciando la tramoggia vuota
Componenti elettrici tramoggia	Una volta all'anno	Spolverare l'interno, detergere le lame della ventola con acqua e sapone
Ventola di aspirazione dell'aria	Ogni 5-6 grigliate	Spolverare, strofinare con spugna e acqua e sapone
Sonda temperatura	Ogni 2-3 grigliate	Spugna e acqua e sapone

# SUGGERIMENTI E TECNICHE

Seguire questi utili suggerimenti e tecniche, forniti dai titolari di Pit Boss®, dal nostro personale e da altri clienti per acquisire maggiore familiarità con la griglia:

## 1. SICUREZZA ALIMENTARE

- Conservare tutti gli alimenti in cucina e tenere l'area di cottura pulita. Utilizzare piatti e utensili diversi per la carne cotta rispetto a quelli utilizzati per preparare o trasportare la carne cruda fino alla griglia. In questo modo si eviterà la contaminazione crociata da batteri. Ogni marinata o salsa per ungere gli alimenti dovrebbe avere un utensile dedicato.
- Mantenere caldi gli alimenti caldi (al di sopra di 60°C/140°F) e mantenere freddi i cibi freddi (al di sotto di 3°C/37°F).
- La marinata non deve mai essere conservata per essere utilizzata in un secondo momento. Se si ha intenzione di usarla per accompagnarla alla carne, ricordarsi di portarla a ebollizione prima di servire.
- Gli alimenti cotti non dovrebbero essere lasciati fuori al caldo per più di un'ora. Non lasciare alimenti caldi fuori dal frigorifero per più di due ore.
- Scongelare e marinare le carni mediante refrigerazione. Non scongelare la carne a temperatura ambiente o su un piano di lavoro. I batteri possono svilupparsi e moltiplicarsi rapidamente negli alimenti caldi e umidi. Lavarsi accuratamente le mani con acqua calda e sapone prima di iniziare a preparare i pasti e dopo aver toccato carne fresca, pesce e pollame.

## 2. OPERAZIONI PRELIMINARI ALLA COTTURA

- Eseguire tutte le operazioni preliminari (***mise en Place***): preparare la ricetta, il combustibile, gli accessori, gli utensili e tutti gli ingredienti necessari accanto alla griglia prima di iniziare a cucinare. Inoltre, leggere l'intera ricetta, dall'inizio alla fine, prima di accendere la griglia.
- Un tappetino per barbecue è molto utile per proteggere un pavimento in legno, un patio o una superficie in pietra da macchie di grasso o liquidi versati accidentalmente, tenuto conto della possibilità di errori durante la manipolazione degli alimenti e schizzi di cottura.

## 3. SUGGERIMENTI E TECNICHE DI COTTURA ALLA GRIGLIA

- Per accentuare il sapore affumicato delle carni, cuocere più a lungo e alle temperature più basse (tecnica di cottura a fuoco ***basso e lento***). Le fibre della carne si sigillano quando raggiungono una temperatura interna di 49°C/120°F. Nebulizzare liquidi o irrorare leggermente sono metodi ottimi per evitare che la carne si asciughi.
- Cuocere le carni con il coperchio abbassato. Usare sempre un termometro per carni per determinare la temperatura interna degli alimenti in cottura. L'affumicatura di alimenti con pellet di legno duro conferirà un colore rosato a carni e pollame. La striatura rosa (dopo la cottura) è detta ***anello di fumo*** ed è molto apprezzata dagli appassionati di barbecue.
- È preferibile applicare le salse che contengono zucchero a fine cottura per evitare di bruciare o carbonizzare gli alimenti.
- Lasciare una certa distanza tra gli alimenti e le estremità della camera per garantire un corretto flusso di calore. Il cibo disposto fittamente sulla griglia richiede un maggior tempo di cottura.
- Utilizzare pinze a manico lungo per girare le carni e una spatola per girare hamburger e pesce. Se si utilizzano utensili che forano, come le forchette, la carne verrà punta e i suoi succhi si disperderanno.
- Gli alimenti in casseruole profonde richiedono un maggior tempo di cottura di quelli in piatti di cottura poco profondi.
- È una buona idea posizionare il cibo cotto su un piatto riscaldato, che mantiene il cibo caldo. Le carni rosse, come bistecche e arrostiti, migliorano se lasciate riposare per alcuni minuti prima di servire. In questo modo, infatti, i succhi spinti in superficie dal calore hanno il tempo di essere riassorbiti dalla carne, conferendole più sapore.

# RISOLUZIONE DEI PROBLEMI

Una corretta pulizia e manutenzione e l'uso di combustibile pulito, asciutto e di qualità eviteranno problemi di funzionamento comuni. Quando la griglia Pit Boss® viene utilizzata in modo non corretto o raramente, possono risultare utili i seguenti suggerimenti per la risoluzione dei problemi.

Per le domande frequenti, visitare il sito Web [www.pitboss-grills.com](http://www.pitboss-grills.com). Ci si può anche rivolgere al proprio rivenditore autorizzato Pit Boss® o contattare il Servizio clienti per ricevere assistenza.

**AVVERTENZA: scollegare sempre il cavo elettrico prima di aprire la griglia per qualsiasi ispezione, pulizia, manutenzione o intervento di manutenzione. Assicurarsi che la griglia si sia raffreddata completamente per evitare incidenti.**

PROBLEMA	CAUSA	SOLUZIONE
Luci spente sulla scheda di controllo	Manopola di regolazione della temperatura ancora spenta.	Premere il pulsante di alimentazione e verificare che il pulsante si accenda e diventi blu a indicare che l'unità è collegata all'alimentazione. Ruotare la manopola di regolazione della temperatura fino a un'impostazione di temperatura.
	Unità non collegata a una fonte di alimentazione	Assicurarsi che l'unità sia collegata a una fonte di alimentazione funzionante. Interruttore di circuito. Assicurarsi che il salvavita sia almeno da 10 Amp (per l'accesso ai componenti elettrici, vedere lo <b>Schema elettrico dei fili</b> ). Assicurarsi che tutti i fili siano ben collegati e asciutti.
	Fusibile bruciato sulla scheda di controllo	Rimuovere il pannello di accesso alla tramoggia (vedere lo <b>Schema elettrico dei fili</b> ), premere le linguette in plastica che fissano la scheda di controllo in posizione e tirare delicatamente la centralina all'interno della tramoggia per rilasciarla. Controllare se il fusibile è rotto o se il filo è nero. In caso affermativo, il fusibile deve essere sostituito manualmente.
	È scattato il salvavita.	Rimuovere il pannello di accesso alla tramoggia (vedere lo <b>Schema elettrico dei fili</b> ) e verificare che tutti i collegamenti dei fili siano saldi e asciutti. Assicurarsi che il salvavita sia almeno da 10 Amp.
	Scheda di controllo difettosa	La scheda di controllo deve essere sostituita. Contattare il Servizio clienti per ricevere la parte di ricambio.
Il fuoco non si accende nel bruciatore	Coclea non adescata	Prima di utilizzare l'unità per la prima volta e ogni volta che la tramoggia viene completamente svuotata, è necessario adescare la coclea affinché i pellet riempiano il tubo della coclea. Se la coclea non è adescata, il dispositivo di accensione si disattiva prima che i pellet raggiungano il bruciatore. Eseguire la <b>procedura di adescamento della tramoggia</b> .
	Il motorino della coclea è inceppato	Rimuovere i componenti di cottura dalla camera principale. Premere il pulsante di alimentazione per accendere l'unità, ruotare la manopola di regolazione della temperatura su SMOKE e controllare il sistema di alimentazione della coclea. Verificare visivamente che dalla coclea cadano pellet nel bruciatore. Se il funzionamento non è corretto, contattare il Servizio clienti per ricevere assistenza o una parte sostitutiva.
	Guasto del dispositivo di accensione	Rimuovere i componenti di cottura dalla camera principale. Premere il pulsante di alimentazione per accendere l'unità, ruotare la manopola di regolazione della temperatura su SMOKE e controllare il dispositivo di accensione. Verificare visivamente che il dispositivo di accensione funzioni posizionando la mano al di sopra del bruciatore e cercando di percepirne il calore. Verificare visivamente che il dispositivo di accensione sporga di circa 13 mm nel bruciatore. Se non funziona correttamente, eseguire la <b>procedura di avvio manuale</b> per continuare a utilizzare la griglia; in ogni caso, contattare il Servizio clienti per ricevere assistenza o la parte di ricambio.
Punti intermittenti sullo schermo LCD	Il dispositivo di accensione è acceso	Non si tratta di un errore che influisce sul funzionamento della griglia. I punti intermittenti si usano per indicare che l'unità è collegata all'alimentazione e si trova in modalità di avvio (il dispositivo di accensione è in funzione). Il dispositivo di accensione si spegne dopo cinque minuti. Quando i puntini intermittenti scompaiono, la griglia inizia a regolarsi sulla temperatura desiderata selezionata.
Temperatura intermittente sullo schermo LCD	La temperatura della griglia è inferiore a 65 °C/150 °F	Non si tratta di un errore che influisce sul funzionamento dell'unità. La temperatura viene segnalata per indicare che il fuoco potrebbe spegnersi. Controllare che nella tramoggia vi sia combustibile sufficiente e che il sistema di alimentazione non sia ostruito. Rimuovere i pellet e seguire le <b>istruzioni di cura e manutenzione</b> . Controllare la sonda della temperatura della griglia e seguire le <b>istruzioni di cura e manutenzione</b> se è sporca. Controllare se il bruciatore contiene accumuli di cenere o è ostruito e seguire le <b>istruzioni di cura e manutenzione</b> per l'accumulo di cenere. Controllare la ventola. Assicurarsi che funzioni correttamente e che la presa d'aria non sia ostruita. Seguire le <b>istruzioni di cura e manutenzione</b> se è sporca. Controllare il motorino della coclea per accertarsi che funzioni (rotazione) e verificare che il tubo della coclea non sia ostruito.



Codice di errore "ErH"	L'unità si è surriscaldata, probabilmente a causa di un incendio di grasso o di un eccesso di combustibile.	Premere il pulsante di alimentazione per spegnere l'unità e lasciare raffreddare la griglia. Seguire le <b>istruzioni di cura e manutenzione</b> . Dopo la manutenzione, rimuovere i pellet e verificare la posizione di tutti i componenti. Una volta che l'unità si è raffreddata, premere il pulsante di alimentazione per accendere l'unità, quindi selezionare la temperatura desiderata. Se il codice di errore continua a essere visualizzato, contattare il Servizio clienti.
Codice Di Errore "Er1"	Il filo della sonda temperatura non è collegato.	Rimuovere il pannello di accesso alla tramoggia (vedere lo Schema elettrico dei fili) e controllare se i fili della sonda temperatura sono danneggiati. Verificare che i connettori Molex della sonda temperatura siano ben collegati e connessi correttamente alla scheda di controllo.
Codice di errore "ErP"	L'unità non si è spenta correttamente quando è stata collegata all'alimentazione la volta precedente.	La funzione di sicurezza impedisce il riavvio automatico. Premere il pulsante di alimentazione per spegnere l'unità, attendere due minuti, quindi premere di nuovo il pulsante per riaccendere l'unità. Ruotare la manopola di regolazione della temperatura su SMOKE o sulla temperatura desiderata. Se il codice di errore continua a essere visualizzato, contattare il Servizio clienti.
	Interruzione dell'alimentazione quando l'unità è in funzione.	
Codice di errore "noP"	Collegamento errato alla porta di connessione	Scollare la sonda carni dalla porta di connessione sulla scheda di controllo e ricollegarla. Assicurarsi che l'adattatore della sonda carni sia ben collegato. Controllare che non vi siano segni di danneggiamento all'estremità dell'adattatore. Se il problema persiste, contattare il servizio di assistenza clienti per ricevere la parte di ricambio.
	Sonda carni danneggiata	Controllare che i fili della sonda carni non presentino segni di danneggiamento. Se danneggiati, contattare il Servizio clienti per ricevere la parte di ricambio.
	Scheda di controllo difettosa	La scheda di controllo deve essere sostituita. Contattare il Servizio clienti per ricevere la parte di ricambio.
La temperatura della griglia su SMOKE è troppo alta	L'impostazione "P" è troppo BASSA	Premere il pulsante di IMPOSTAZIONE "P" e aumentare l'impostazione "P".
La griglia non raggiunge o mantiene una temperatura stabile	Flusso d'aria insufficiente nel bruciatore	Controllare se il bruciatore contiene accumuli di cenere o è ostruito. Seguire le <b>istruzioni di cura e manutenzione</b> per l'accumulo di ceneri. Controllare la ventola. Assicurarsi che funzioni correttamente e che la presa d'aria non sia ostruita. Seguire le <b>istruzioni di cura e manutenzione</b> se è sporca. Controllare il motorino della coclea per verificare che funzioni e controllare che il tubo della coclea non sia ostruito. Una volta eseguite tutte le operazioni descritte in precedenza, avviare la griglia, impostare la temperatura su SMOKE e attendere 10 minuti. Controllare che la fiamma prodotta sia vivida e scoppiettante.
	Mancanza di combustibile, scarsa qualità del combustibile, ostruzione nell'impianto di alimentazione	Controllare la tramoggia per verificare che il livello del combustibile sia sufficiente; rifornire di combustibile se il livello è basso. Se la qualità dei pellet di legno è scarsa o i pellet sono troppo lunghi, il sistema di alimentazione potrebbe ostruirsi. Rimuovere i pellet e seguire le <b>istruzioni di cura e manutenzione</b> .
	Sonda temperatura	Controllare lo stato della sonda di temperatura. Seguire le <b>istruzioni di cura e manutenzione</b> se è sporca. Se danneggiata, contattare il Servizio clienti per ricevere la parte di ricambio.
La griglia produce fumo in eccesso o sbiadito	Accumulo di grasso	Seguire le <b>istruzioni di cura e manutenzione</b> .
	Qualità del pellet di legno	Rimuovere i pellet di legno umidi dalla tramoggia. Per la pulizia, seguire le <b>istruzioni di cura e manutenzione</b> . Sostituire con pellet di legno secco.
	Il bruciatore è bloccato	<b>Eliminare i pellet di legno umidi dal bruciatore. Eseguire la procedura di adescamento della tramoggia.</b>
	Afflusso d'aria insufficiente per la ventola	Controllare la ventola. Assicurarsi che funzioni correttamente e che la presa d'aria non sia ostruita. Seguire le <b>istruzioni di cura e manutenzione</b> se è sporca.
Fiammate frequenti	Temperatura di cottura	Provare a cucinare a una temperatura inferiore. Il grasso ha un punto di infiammabilità. Mantenere la temperatura sotto i 176 °C/350 °F durante la cottura di alimenti molto grassi.
	Accumulo di grasso sui componenti di cottura	Seguire le <b>istruzioni di cura e manutenzione</b> .



## PB550G PARTI DI RICAMBIO GRIGLIA

N. parte	Descrizione
1-A	Chiusura del coperchio (x1)
2-A	Maniglia del coperchio (x1)
3-A	Corona per maniglia coperchio (x2)
4-A	Camera principale (x1)
5-A	Gruppo tramoggia (x1)
6-A	Barra di regolazione del parafiamma (x1)
7-A	Pomello della barra di regolazione del parafiamma (x1)
8-A	Elemento scorrevole del parafiamma (x1)
9-A	Piastra principale del parafiamma (x1)
10-A	Gamba di supporto anteriore sinistra (x1)
11-A	Gamba di supporto posteriore sinistra (x1)
12-A	Gamba di supporto anteriore destra (x1)
13-A	Supporto posteriore destro (x1)
14-A	Pezzo assetto supporto anteriore sinistro (x1)
15-A	Pezzo assetto supporto posteriore sinistro (x1)
16-A	Ruota (x2)
17-A	Piastra di supporto inferiore destra (x1)
18-A	Piastra di supporto inferiore sinistra (x1)
19-A	Piastra di supporto corta (x2)

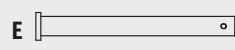
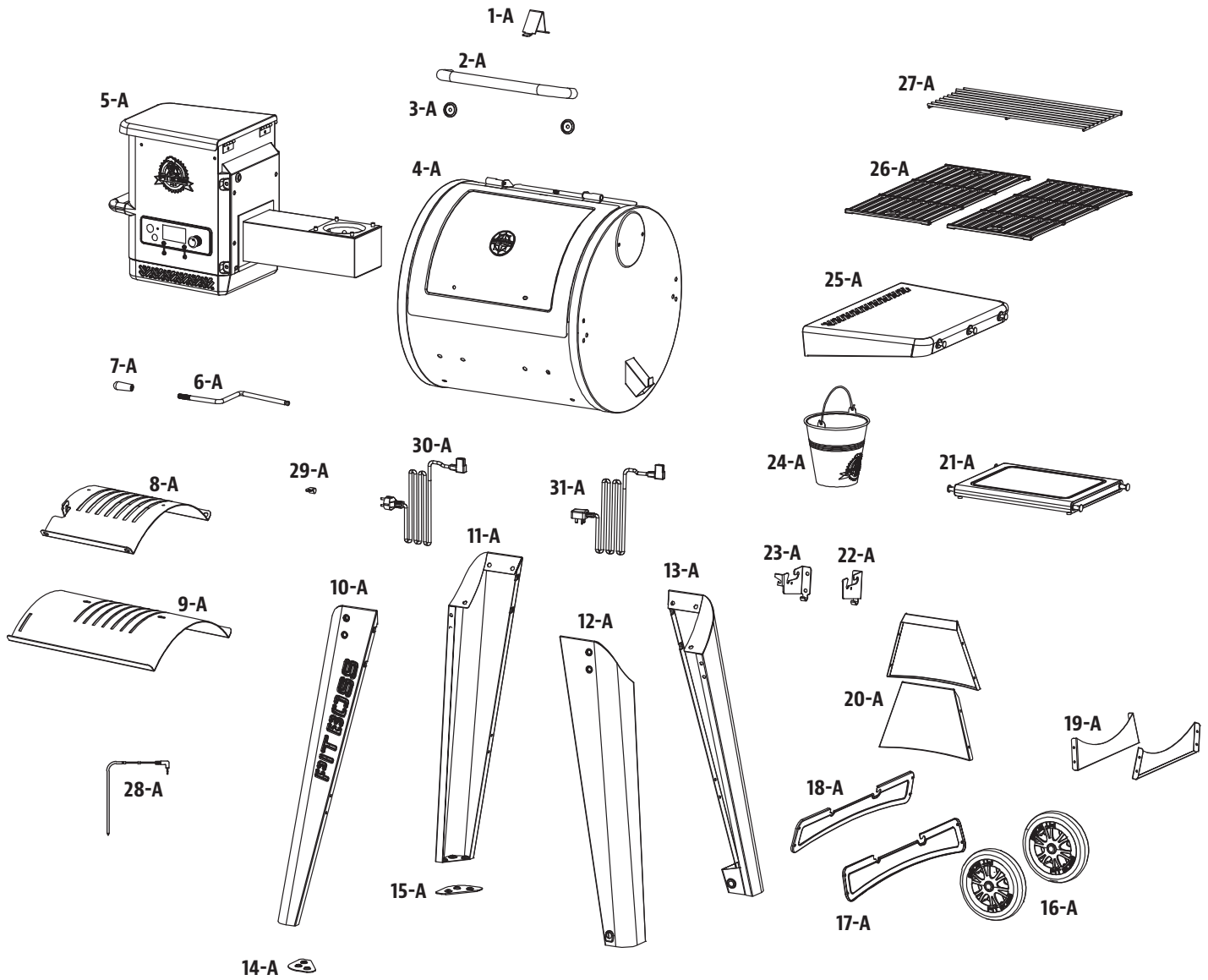
N. parte	Descrizione
20-A	Piastra di supporto lunga anteriore/posteriore (x2)
21-A	Ripiano anteriore (x1)
22-A	Staffa destra del ripiano anteriore (x1)
23-A	Staffa sinistra del ripiano anteriore (x1)
24-A	Secchiello del grasso (x1)
25-A	Ripiano destro (x1)
26-A	Griglia di cottura (x2)
27-A	Rastrelliera riscaldante (x1)
28-A	Sonda carni (x1)
29-A	Copiglia cavo di alimentazione (x1)
30-A	Cavo di alimentazione - Spina F (x1)
31-A	Cavo di alimentazione - Spina G (x1)
A	Vite (x18)
B	Rondella (x18)
C	Rondella di bloccaggio (x18)
D	Vite (x30)
E	Perno asse ruota (x2)
F	Copiglia ruota (x2)
G	Rondella ruota (x2)

NOTA: per lo sviluppo continuo del prodotto, le parti sono soggette a modifiche senza preavviso.

Illustrazione a diagramma nella pagina successiva.

MODELLO	UNITÀ ASSEMBLATA (LxAxP)	PESO UNITARIO	AREA COTTURA	INTERVALLO TEMP.	FUNZIONI DIGITALI
PB PB550G	1227mm x 1195mm x 868mm / 48,3" x 47" x 34,17"	55,7 kg / 122,8 lb	Corpo principale - 2580,6 cm <sup>2</sup> / 400 sq. in. Rastrelliera superiore - 920 cm <sup>2</sup> / 142,6 sq. in. <b>TOTALE - 3500,6 cm<sup>2</sup> / 542,6 sq. in.</b>	82-260°C / 180-500°F	Dieci preimpostazioni di temperatura, ciclo di avvio, dispositivo di accensione elettrico

# PB550G PARTI DI RICAMBIO GRIGLIA



## PB700G PARTI DI RICAMBIO GRIGLIA

N. parte	Descrizione
1-A	Chiusura del coperchio (x1)
2-A	Maniglia del coperchio (x1)
3-A	Corona per maniglia coperchio (x2)
4-A	Camera principale (x1)
5-A	Gruppo tramoggia (x1)
6-A	Barra di regolazione del parafiamma (x1)
7-A	Pomello della barra di regolazione del parafiamma (x1)
8-A	Elemento scorrevole del parafiamma (x1)
9-A	Piastra principale del parafiamma (x1)
10-A	Gamba di supporto anteriore sinistra (x1)
11-A	Gamba di supporto posteriore sinistra (x1)
12-A	Gamba di supporto anteriore destra (x1)
13-A	Supporto posteriore destro (x1)
14-A	Pezzo assetto supporto anteriore sinistro (x1)
15-A	Pezzo assetto supporto posteriore sinistro (x1)
16-A	Ruota (x2)
17-A	Piastra di supporto inferiore destra (x1)
18-A	Piastra di supporto inferiore sinistra (x1)
19-A	Piastra di supporto corta (x2)
20-A	Piastra di supporto lunga anteriore (x1)

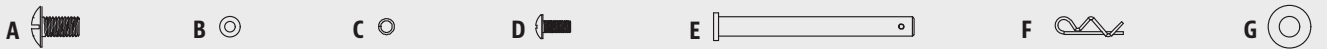
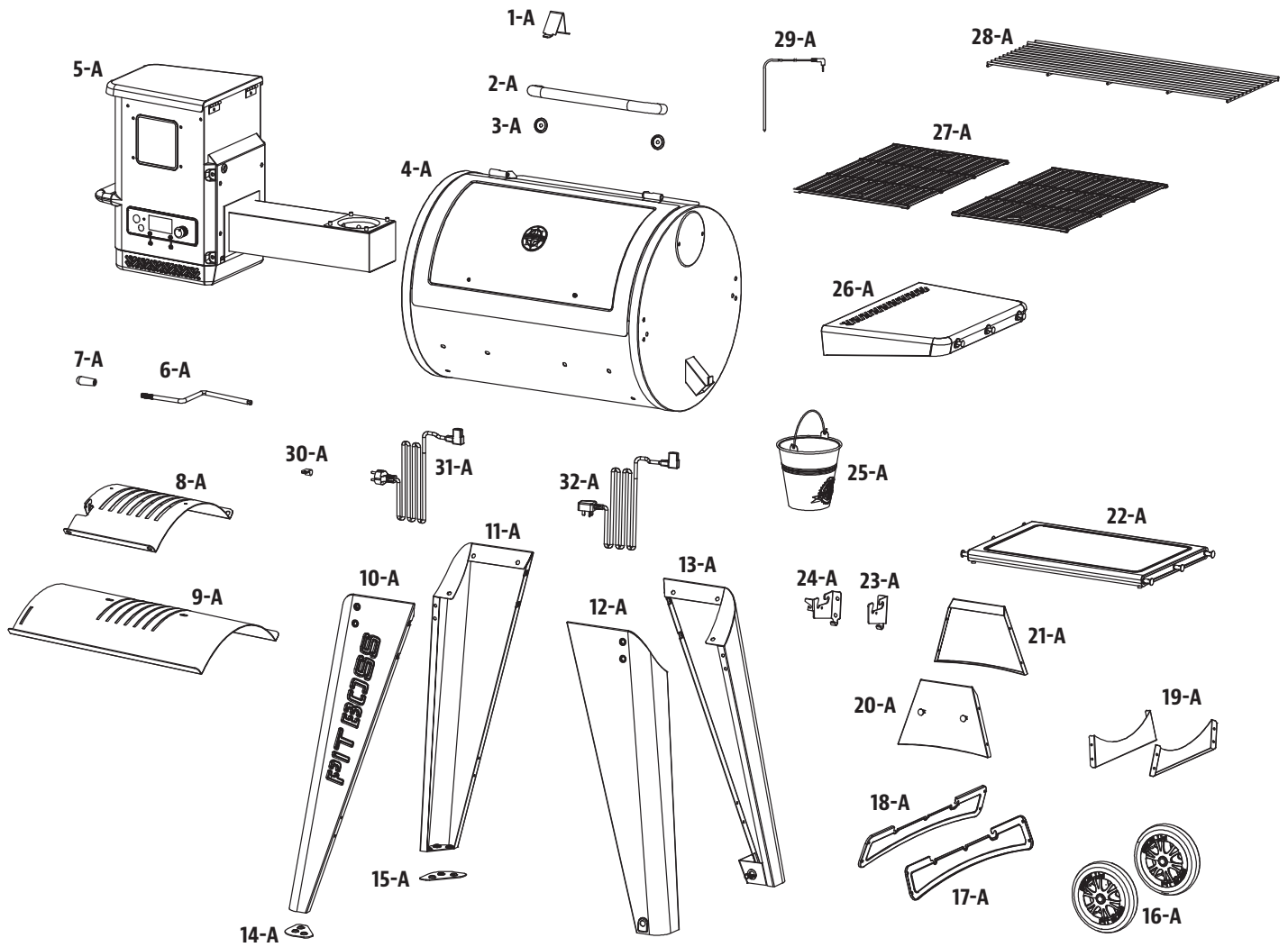
N. parte	Descrizione
21-A	Piastra di supporto lunga posteriore (x1)
22-A	Ripiano anteriore (x1)
23-A	Staffa destra del ripiano anteriore (x1)
24-A	Staffa sinistra del ripiano anteriore (x1)
25-A	Secchiello del grasso (x1)
26-A	Ripiano destro (x1)
27-A	Griglia di cottura (x2)
28-A	Rastrelliera riscaldante (x1)
29-A	Sonda carni (x1)
30-A	Copiglia cavo di alimentazione (x1)
31-A	Cavo di alimentazione - Spina F (x1)
32-A	Cavo di alimentazione - Spina G (x1)
A	Vite (x18)
B	Rondella (x18)
C	Rondella di bloccaggio (x18)
D	Vite (x30)
E	Perno asse ruota (x2)
F	Copiglia ruota (x2)
G	Rondella ruota (x2)

NOTA: per lo sviluppo continuo del prodotto, le parti sono soggette a modifiche senza preavviso.

Illustrazione a diagramma nella pagina successiva.

MODELLO	UNITÀ ASSEMBLATA (LxAxP)	PESO UNITARIO	AREA COTTURA	INTERVALLO TEMP.	FUNZIONI DIGITALI
PB PB700G	1388mm x 1195mm x 940mm / 54,6" x 47" x 37"	66,5 kg / 146,61 lb	Corpo principale - 3109 cm <sup>2</sup> / 482 sq. in. Rastrelliera superiore - 1341 cm <sup>2</sup> / 208 sq. in. <b>TOTALE - 4450 cm<sup>2</sup> / 690 sq. in.</b>	82-260°C / 180-500°F	Dieci preimpostazioni di temperatura, ciclo di avvio, dispositivo di accensione elettrico

# PB700G PARTI DI RICAMBIO GRIGLIA



# PB850G PARTI DI RICAMBIO GRIGLIA

N. parte	Descrizione
1-A	Chiusura del coperchio (x1)
2-A	Maniglia del coperchio (x1)
3-A	Corona per maniglia coperchio (x2)
4-A	Camera principale (x1)
5-A	Gruppo tramoggia (x1)
6-A	Barra di regolazione del parafiamma (x1)
7-A	Pomello della barra di regolazione del parafiamma (x1)
8-A	Elemento scorrevole del parafiamma (x1)
9-A	Piastra principale del parafiamma (x1)
10-A	Gamba di supporto anteriore sinistra (x1)
11-A	Gamba di supporto posteriore sinistra (x1)
12-A	Gamba di supporto anteriore destra (x1)
13-A	Supporto posteriore destro (x1)
14-A	Pezzo assetto supporto anteriore sinistro (x1)
15-A	Pezzo assetto supporto posteriore sinistro (x1)
16-A	Ruota girevole con freno (x2)
17-A	Ruota (x2)
18-A	Piastra di supporto inferiore destra (x1)
19-A	Piastra di supporto inferiore sinistra (x1)
20-A	Piastra di supporto corta (x2)
21-A	Piastra di supporto lunga anteriore (x1)

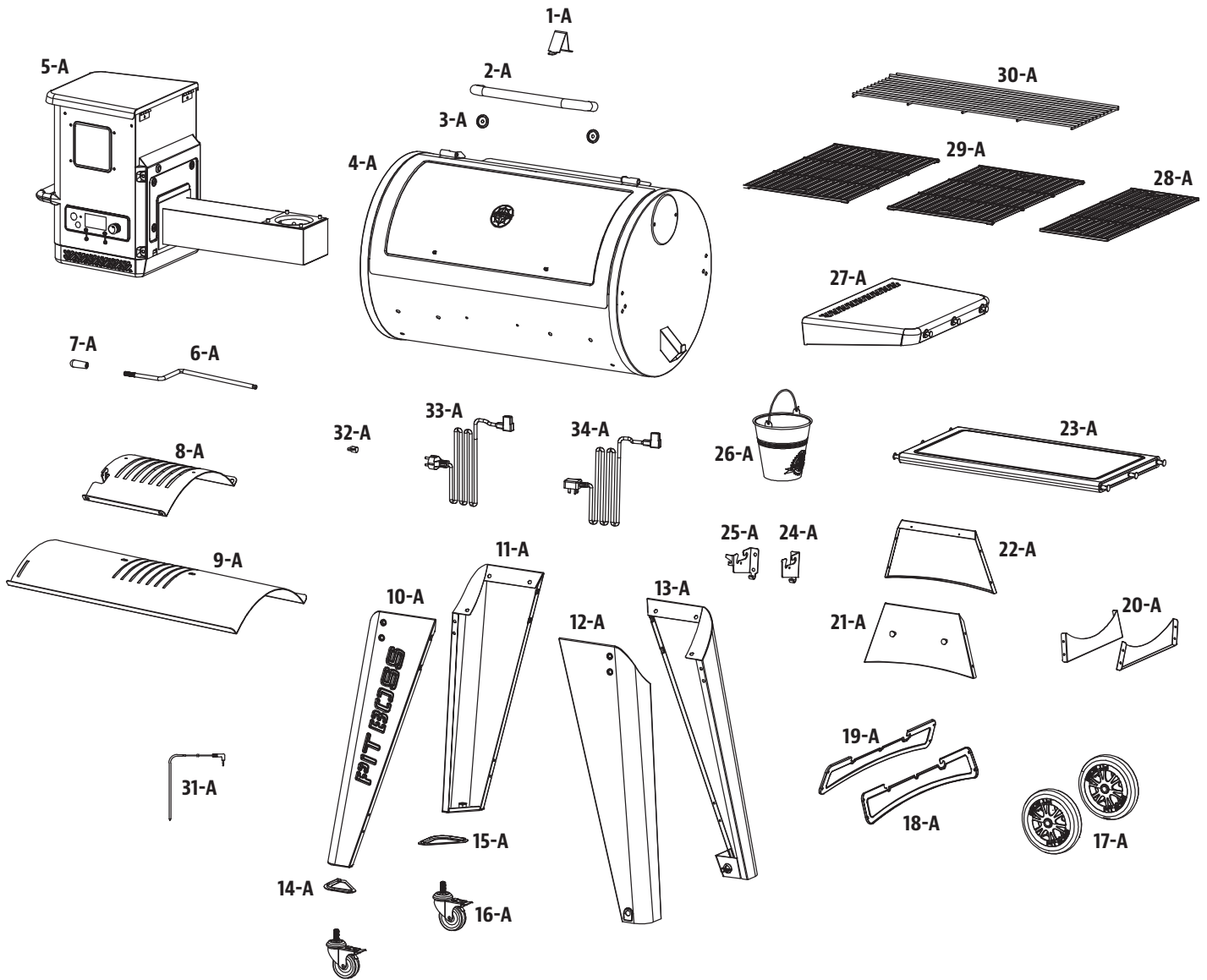
N. parte	Descrizione
22-A	Piastra di supporto lunga posteriore (x1)
23-A	Ripiano anteriore (x1)
24-A	Staffa destra del ripiano anteriore (x1)
25-A	Staffa sinistra del ripiano anteriore (x1)
26-A	Secchiello del grasso (x1)
27-A	Ripiano destro (x1)
28-A	Griglia di cottura A (x1)
29-A	Griglia di cottura B (x2)
30-A	Rastrelliera riscaldante (x1)
31-A	Sonda carni (x1)
32-A	Copiglia cavo di alimentazione (x1)
33-A	Cavo di alimentazione - Spina F (x1)
34-A	Cavo di alimentazione - Spina G (x1)
A	Vite (x18)
B	Rondella (x18)
C	Rondella di bloccaggio (x18)
D	Vite (x30)
E	Vite (x4)
F	Perno asse ruota (x2)
G	Copiglia ruota (x2)
H	Rondella ruota (x2)

NOTA: per lo sviluppo continuo del prodotto, le parti sono soggette a modifiche senza preavviso.

Illustrazione a diagramma nella pagina successiva.

MODELLO	UNITÀ ASSEMBLATA (LxAxP)	PESO UNITARIO	AREA COTTURA	INTERVALLO TEMP.	FUNZIONI DIGITALI
PB PB850G	1472mm x 1195mm x 940mm / 57,9" x 47" x 37"	74,5kg / 164,24 lb	Corpo principale - 3825,8 cm <sup>2</sup> / 593 sq. in. Rastrelliera superiore - 1845,2 cm <sup>2</sup> / 286 sq. in. <b>TOTALE - 5671 cm<sup>2</sup> / 879 sq. in.</b>	82-260°C / 180-500°F	Dieci preimpostazioni di temperatura, ciclo di avvio, dispositivo di accensione elettrico

# PB850G PARTI DI RICAMBIO GRIGLIA



IT  
ITALIANO



# PB1150G PARTI DI RICAMBIO GRIGLIA

N. parte	Descrizione
1-A	Chiusura del coperchio (x1)
2-A	Maniglia del coperchio (x1)
3-A	Corona per maniglia coperchio (x2)
4-A	Camera principale (x1)
5-A	Gruppo tramoggia (x1)
6-A	Barra di regolazione del parafiamma (x1)
7-A	Pomello della barra di regolazione del parafiamma (x1)
8-A	Elemento scorrevole del parafiamma (x1)
9-A	Piastra principale del parafiamma (x1)
10-A	Gamba di supporto anteriore sinistra (x1)
11-A	Gamba di supporto posteriore sinistra (x1)
12-A	Gamba di supporto anteriore destra (x1)
13-A	Supporto posteriore destro (x1)
14-A	Pezzo assetto supporto anteriore sinistro (x1)
15-A	Pezzo assetto supporto posteriore sinistro (x1)
16-A	Ruota girevole con freno (x2)
17-A	Ruota (x2)
18-A	Piastra di supporto inferiore destra (x1)
19-A	Piastra di supporto inferiore sinistra (x1)
20-A	Piastra di supporto corta (x2)
21-A	Piastra di supporto lunga anteriore (x1)
22-A	Piastra di supporto lunga posteriore (x1)

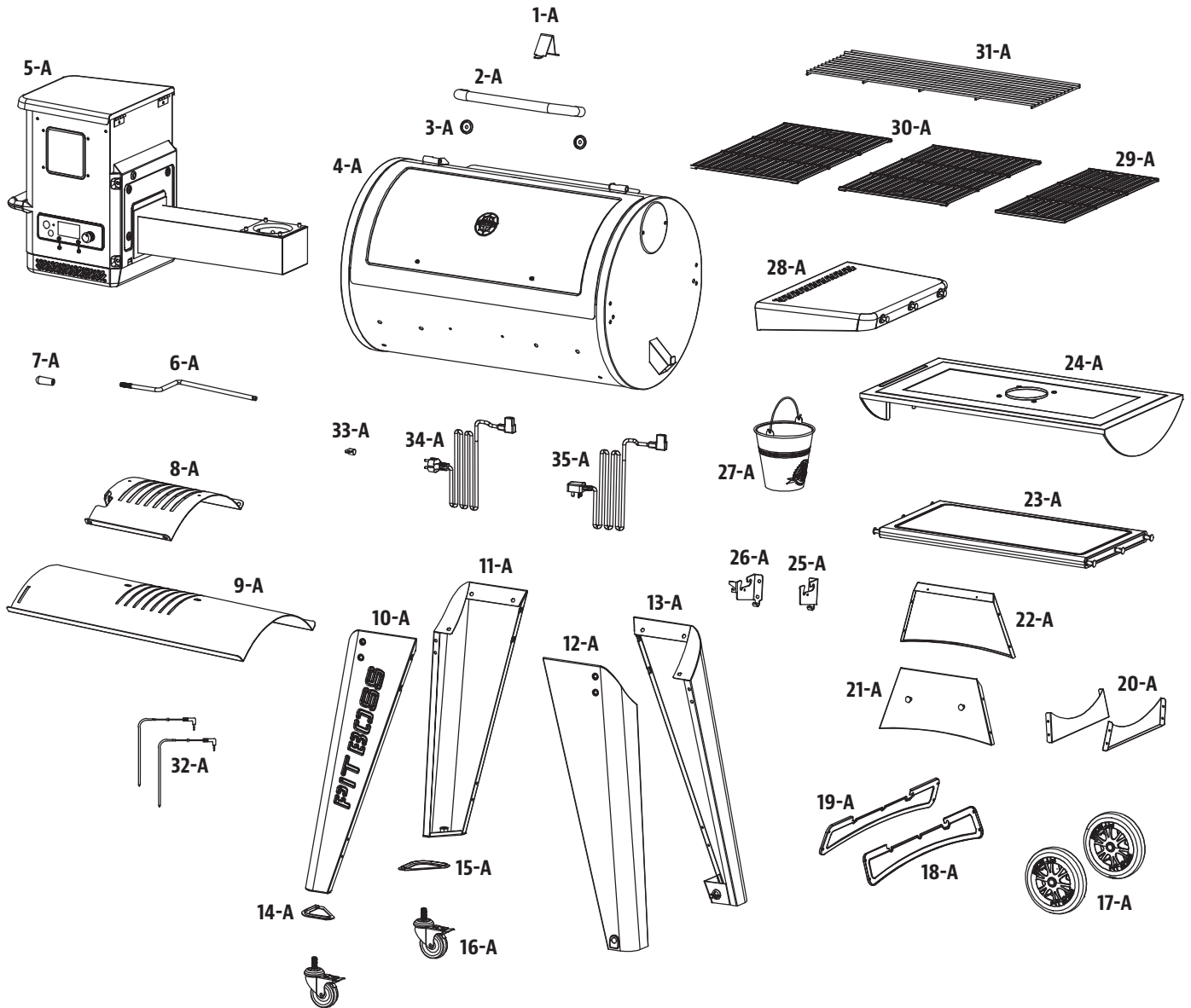
N. parte	Descrizione
23-A	Ripiano anteriore (x1)
24-A	Piastra di diffusione (x1)
25-A	Staffa destra del ripiano anteriore (x1)
26-A	Staffa sinistra del ripiano anteriore (x1)
27-A	Secchiello del grasso (x1)
28-A	Ripiano destro (x1)
29-A	Griglia di cottura A (x1)
30-A	Griglia di cottura B (x2)
31-A	Rastrelliera riscaldante (x1)
32-A	Sonda carni (x2)
33-A	Copiglia cavo di alimentazione (x1)
34-A	Cavo di alimentazione - Spina F (x1)
35-A	Cavo di alimentazione - Spina G (x1)
A	Vite (x18)
B	Rondella (x18)
C	Rondella di bloccaggio (x18)
D	Vite (x30)
E	Vite (x6)
F	Perno asse ruota (x2)
G	Copiglia ruota (x2)
H	Rondella ruota (x2)

NOTA: per lo sviluppo continuo del prodotto, le parti sono soggette a modifiche senza preavviso.

Illustrazione a diagramma nella pagina successiva.

MODELLO	UNITÀ ASSEMBLATA (LxAxP)	PESO UNITARIO	AREA COTTURA	INTERVALLO TEMP.	FUNZIONI DIGITALI
PB PB1150G	1.622mm x 1.195mm x 940mm / 63,86" x 47" x 37"	84 kg / 185,19 lb	Corpo principale - 4587,1 cm <sup>2</sup> / 711 sq. in. Rastrelliera superiore - 2883,9 cm <sup>2</sup> / 447 sq. in. <b>TOTALE - 7471 cm<sup>2</sup> / 1158 sq. in.</b>	82-260°C / 180-500°F	Dieci preimpostazioni di temperatura, ciclo di avvio, dispositivo di accensione elettrico

# PB1150G PARTI DI RICAMBIO GRIGLIA

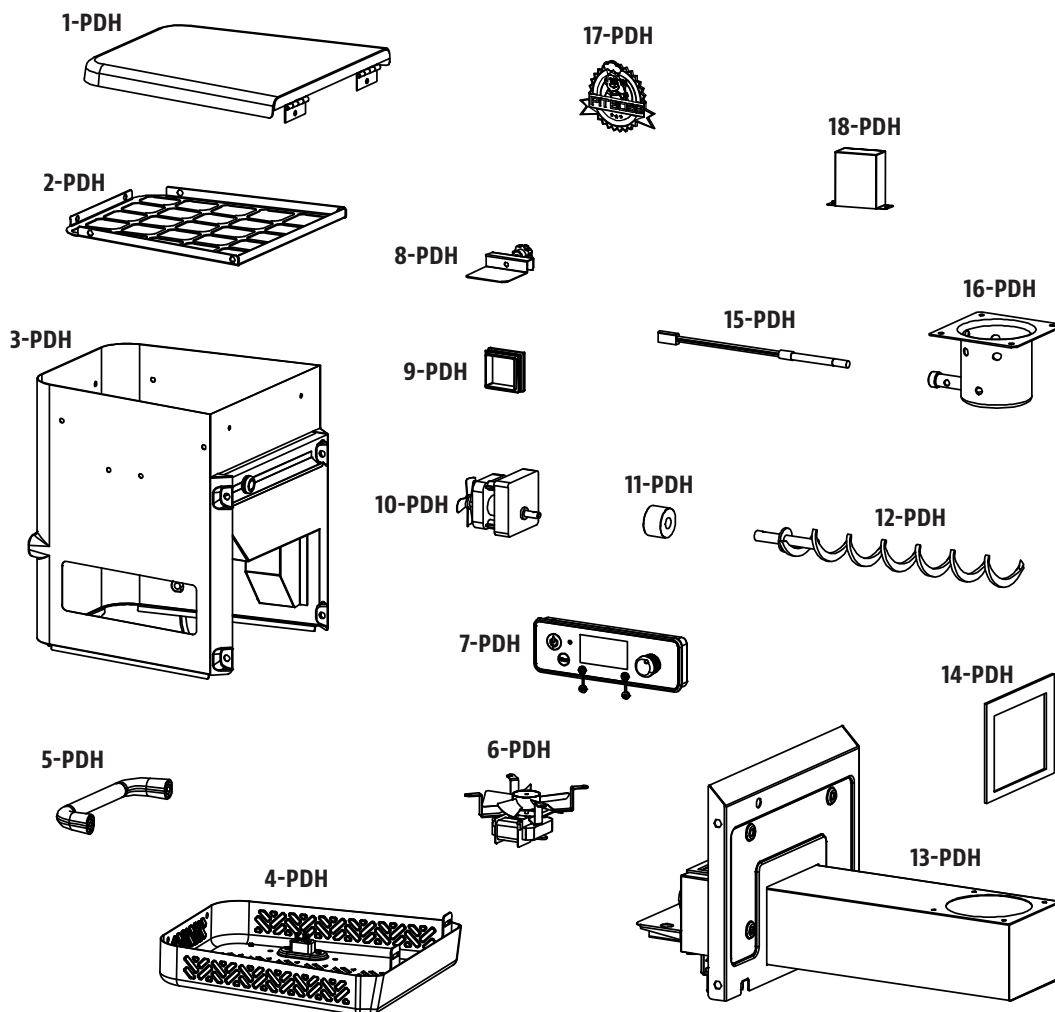


# PB550G PARTI DI RICAMBIO TRAMOGGIA

N. parte	Descrizione
1-PDH	Coperchio tramoggia (x1)
2-PDH	Schermo di protezione tramoggia (x1)
3-PDH	Scatola tramoggia (x1)
4-PDH	Pannello di accesso tramoggia (x1)
5-PDH	Maniglia tramoggia (x1)
6-PDH	Ventola di combustione (x1)
7-PDH	Scheda di controllo Pit Boss® (x1)
8-PDH	Piastra scivolo di caduta (x1)
9-PDH	Copertura scivolo di caduta (x1)

N. parte	Descrizione
10-PDH	Motorino coclea (x1)
11-PDH	Boccola in nylon (x1)
12-PDH	Gruppo serpentina coclea (x1)
13-PDH	Scatola coclea (x1)
14-PDH	Guarnizione scatola tramoggia (x1)
15-PDH	Dispositivo di accensione (x1)
16-PDH	Brucciatore (x1)
17-PDH	Targa di identificazione (x1)
18-PDH	Copertura impermeabile del cavo di alimentazione (x1)

NOTA: per lo sviluppo continuo del prodotto, le parti sono soggette a modifiche senza preavviso.

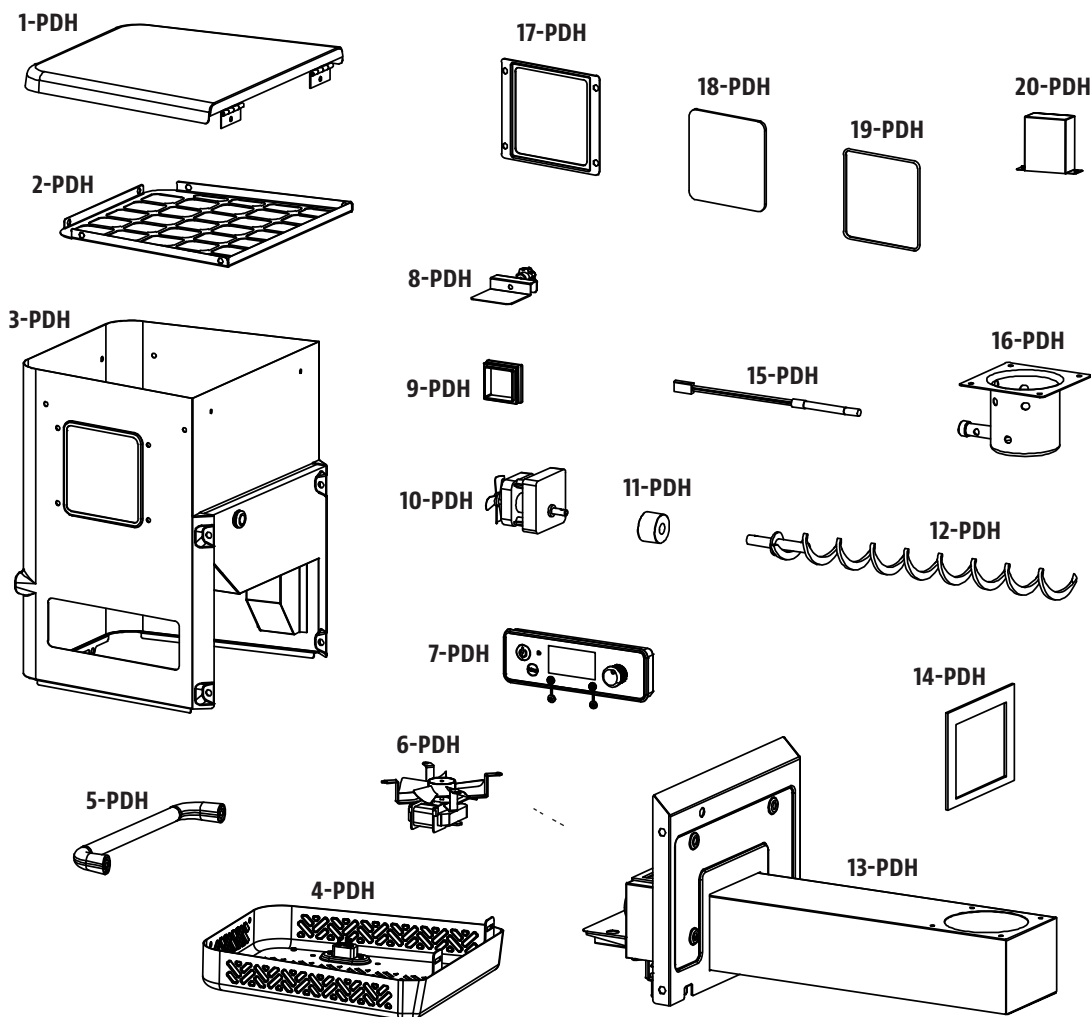


# PB700G / PB850G / PB1150G PARTI DI RICAMBIO TRAMOGGIA

N. parte	Descrizione
1-PDH	Coperchio tramoggia (x1)
2-PDH	Schermo di protezione tramoggia (x1)
3-PDH	Scatola tramoggia (x1)
4-PDH	Pannello di accesso tramoggia (x1)
5-PDH	Maniglia tramoggia (x1)
6-PDH	Ventola di combustione (x1)
7-PDH	Scheda di controllo Pit Boss® (x1)
8-PDH	Piastra scivolo di caduta (x1)
9-PDH	Copertura scivolo di caduta (x1)
10-PDH	Motorino coclea (x1)

N. parte	Descrizione
11-PDH	Boccola in nylon (x1)
12-PDH	Gruppo serpentina coclea (x1)
13-PDH	Scatola coclea (x1)
14-PDH	Guarnizione scatola tramoggia (x1)
15-PDH	Dispositivo di accensione (x1)
16-PDH	Brucciato (x1)
17-PDH	Lastra in vetro (x1)
18-PDH	Vetro (x1)
19-PDH	Guarnizione in gomma (x1)
20-PDH	Copertura impermeabile del cavo di alimentazione (x1)

NOTA: per lo sviluppo continuo del prodotto, le parti sono soggette a modifiche senza preavviso.



# GARANZIA

## CONDIZIONI

Tutte le griglie in pellet di legno di Pit Boss®, prodotte da Dansons Inc., hanno una garanzia limitata a partire dalla data di vendita da parte del proprietario originale. La copertura della garanzia inizia alla data di acquisto originaria e la prova della data di acquisto o una copia della fattura di vendita originale è necessaria per convalidare la garanzia. Ai clienti saranno addebitate le spese per le parti, la spedizione e la gestione se non sono in grado di fornire una prova d'acquisto o dopo la scadenza della garanzia.

Dansons offre una garanzia di cinque (5) anni contro difetti e vizi di lavorazione su tutte le parti e cinque (5) anni sui componenti elettrici. Dansons garantisce che tutte le parti sono prive di difetti di materiale e di lavorazione, per tutto il periodo d'uso e proprietà da parte dell'acquirente originale. La garanzia non copre i danni causati da usura, come graffi, ammaccature, scheggiature o piccoli danni estetici. Questi cambiamenti estetici della griglia non influiscono sulle sue prestazioni. La riparazione o la sostituzione di qualsiasi componente non supera la garanzia limitata di cinque (5) anni dalla data di acquisto.

Durante il periodo di validità della garanzia, l'obbligo di Dansons si limita alla fornitura delle parti di ricambio per i componenti difettosi e/o guasti. Nel periodo di garanzia, Dansons non addebita le spese di riparazione o di restituzione delle parti sostituite e le spese di spedizione prepagate se riscontra un difetto delle parti al momento dell'esame. Dansons non si assume le spese di trasporto, i costi di manodopera e i dazi all'esportazione. Fatta eccezione per quanto previsto nelle presenti condizioni di garanzia, la riparazione o la sostituzione delle parti secondo le modalità e per il periodo di tempo indicati in precedenza assolve Dansons da tutte le responsabilità e gli obblighi diretti e derivati nei confronti dell'acquirente.

Dansons adotta ogni precauzione per utilizzare materiali che ritardino la comparsa della ruggine. Anche con queste protezioni, i rivestimenti protettivi possono essere compromessi da varie sostanze e condizioni che esulano dal controllo di Dansons. Temperature elevate, umidità eccessiva, cloro, fumi industriali, fertilizzanti, pesticidi da prato e sale sono alcune delle sostanze che possono influenzare i rivestimenti metallici. Per questi motivi, la garanzia non copre la ruggine o l'ossidazione, a meno che non vi sia una perdita di integrità strutturale del componente della griglia. Se si verifica una delle condizioni sopra descritte, fare riferimento alla sezione relativa alla cura e manutenzione per prolungare la durata dell'unità. Dansons consiglia l'uso di una copertura per griglia quando la griglia non è in uso.

La presente garanzia si basa su un utilizzo domestico e una manutenzione della griglia normali. Non si applica alcuna copertura di garanzia limitata per le griglie utilizzate in applicazioni commerciali.

## ECCEZIONI

Non esiste alcuna garanzia scritta o implicita sulle griglie Pit Boss® perché il produttore non ha alcun controllo sull'installazione, il funzionamento, la pulizia, la manutenzione o il tipo di combustibile bruciato. La presente garanzia non si applica e Dansons non si assume alcuna responsabilità se l'apparecchio non è stato installato, utilizzato, pulito e sottoposto a manutenzione in conformità con il presente manuale dell'utente. L'uso di gas non descritto nel presente manuale può invalidare la garanzia. La garanzia non copre danni o rotture dovuti a uso improprio, manipolazione o modifiche improprie.

Né Dansons, né il concessionario Pit Boss® autorizzato si assumono la responsabilità, legale o di altro tipo, per i danni accidentali o consequenziali alla proprietà o alle persone derivanti dall'uso di questo prodotto. Se un reclamo per violazione della presente garanzia o di qualsiasi altro tipo di garanzia espressa o implicita per legge viene presentato contro Dansons, il produttore non sarà in alcun caso responsabile per qualsiasi danno di tipo speciale o indiretto, per danni consequenziali o di qualsiasi natura diversa dall'acquisto originale di questo prodotto. Tutte le garanzie fornite dal produttore sono stabilite nel presente documento e non verrà presentata alcuna richiesta di rimborso nei confronti del produttore sulla base di altra garanzia o dichiarazione.

Alcuni stati non consentono l'esclusione o la limitazione di danni incidentali o consequenziali o le limitazioni di garanzie implicite, pertanto le limitazioni o esclusioni indicate nella presente garanzia limitata potrebbero non essere applicabili all'utente. Questa garanzia limitata conferisce all'acquirente diritti legali specifici. L'acquirente può inoltre essere titolare di altri diritti, che variano da stato a stato.

## COME ORDINARE LE PARTI DI RICAMBIO

Per ordinare le parti di ricambio, contattare il rivenditore Pit Boss® locale o visitare il nostro negozio online all'indirizzo: [www.pitboss-grills.com](http://www.pitboss-grills.com)

## CONTATTARE IL SERVIZIO CLIENTI

In caso di domande o problemi, contattare il Servizio clienti dal lunedì alla domenica, 4am – 8pm PST (EN/FR/ES).

[service@pitboss-grills.com](mailto:service@pitboss-grills.com) | Numero verde (telefono): 1-877-303-3134 | Numero verde (fax): 1-877-303-3135

## ASSISTENZA IN GARANZIA

Contattare il concessionario Pit Boss® più vicino per la riparazione o la sostituzione dei componenti. Dansons Inc. richiede una prova di acquisto per convalidare una richiesta di rimborso in garanzia; pertanto, conservare la ricevuta di vendita originale o la fattura per riferimento futuro. Il numero di serie e di modello del Pit Boss® si trova sul retro della tramoggia. Annotare i numeri riportati di seguito poiché l'etichetta potrebbe essere usurata o illeggibile.

---

MODELLO

---

NUMERO DI SERIE

---

DATA DI ACQUISTO

---

RIVENDITORE AUTORIZZATO

IT

ITALIANO

# SIKKERHEDSOPLYSNINGER

## **DE VIGTIGSTE ÅRSAGER TIL BRAND ER MANGELFULD VEDLIGEHOLEDSE OG UTILSTRÆKKELIG AFSTAND TIL ANTÆNDELIGE MATERIALER. DET ER MEGET VIGTIGT, AT DETTE PRODUKT KUN BRUGES I OVERENSSTEMMELSE MED FØLGENDE ANVISNINGER.**

Læs og sørg for, at du forstår hele vejledningen, før du forsøger at installere, montere eller betjene produktet. På denne måde sikrer du, at du opnår en behagelig og problemfri oplevelse med din nye træpillegrill. Vi anbefaler også, at du gemmer denne vejledning til senere brug.

### **FARER OG ADVARSLER**

**Du skal kontakte din lokale bolig-, bygnings- eller brandkontor eller -myndighed, som har jurisdiktion i området, for at indhente de nødvendige tilladelser, rammer eller oplysninger om monteringsbegrænsninger f.eks. for montering af en grill på en brændbar overflade, krav om kontrol eller tilmed mulighed for at benytte i dit område.**

1. Der skal altid sikres en afstand på minimum 914 mm (36 tommer) til begge sider fra brændbare konstruktioner og 914 mm (36 tommer) bag ved grillen til brændbare konstruktioner. **Undgå at installere enheden på brændbare gulve eller gulve, der er belagt med brændbare overflader, medmindre der er indhentet korrekte tilladelser fra de relevante myndigheder.** Undgå at bruge denne enhed indendørs eller i et lukket område uden ventilation. Denne træpilleenhed må ikke placeres under lofter eller udhæng, der er fremstillet af brændbare materialer. Placer grillen i et ryddet område uden brændbare materialer, benzin eller andre brændbare dampe eller væsker.

**Hvis fedtstoffet på grillen begynder at brænde, skal du straks slukke grillen og lade låget være lukket, indtil ilden er gået ud. Tag strømtikket ud af stikkontakten. Undgå at smide vand på enheden. Undgå at forsøge at kvæle ilden. Det er en god idé at have en almindelig godkendt brandslukker (ABC-klasse) i nærheden. Hvis ilden kommer uden for kontrol, skal du ringe til brandvæsenet.**

2. Hold altid elledninger og brændstof væk fra opvarmede overflader. Undgå at bruge grillen, når det regner, eller i nærheden af andre vandkilder.
3. Når enheden har været opbevaret eller inaktiv i en periode, skal du kontrollere brænderisten for forhindringer, magasinet for fremmedgenstande og enhver blokering af luftgennemstrømningen i blæserens indtag, skorstenen og luftafgangshullerne på bagsiden. Rengør før brug. Regelmæssig pleje og vedligeholdelse er forudsætningen for at optimere enhedens holdbarhed. **Hvis grillen opbevares udendørs på årstider, hvor det regner meget eller luftfugtigheden er høj, skal du sørge for, at der ikke kan trænge vand ind i magasinet.** Når træpiller bliver våde eller udsættes for høj luftfugtighed, udvider de sig markant, går i opløsning og kan tilstoppe fødersystemet. Frakobl altid strømtilførslen, inden der udføres service eller vedligeholdelse.

**Undgå at transportere grillen, mens den anvendes eller er varm. Sørg for, at ilden er fuldstændig slukket, og at grillen er kølet tilstrækkeligt ned, til at den kan berøres.**

4. Det anbefales at bruge varmeresistente grillhandsker eller -vanter ved håndtering af grillen. Undgå at bruge tilbehør, der ikke er angivet til brug sammen med denne enhed. Undgå at placere et grillovertræk eller andet brændbart materiale på opbevaringspladsen under grillen.
5. For at forhindre, at fingre, beklædning eller andre genstande kommer i berøring med en pilleindføringsnegl, er enheden udstyret med en metalbeskyttelseskærm, som er monteret indvendigt i magasinet. Dette skærm må ikke fjernes, medmindre dette anvises af kundeservice eller en autoriseret forhandler.

**Det anbefales ikke, at denne enhed benyttes af børn eller personer med reducerede fysiske, sanselige eller mentale evner eller manglende erfaring eller viden, medmindre de overvåges eller instrueres direkte af en person, som er ansvarlig for deres sikkerhed.**

DK

DANSK

6. Dele af grillen kan være meget varm og forårsage alvorlig personskade. Hold børn og kæledyr på afstand, når enheden er i brug.
7. Undgå at forstørre tændhuller eller brændkar. Hvis denne advarsel ikke overholdes, kan det medføre brandfare og personskade og vil ophæve garantidækningen.
8. Produktet kan have skarpe kanter eller spidser. Berøring kan medføre personskade. Skal håndteres forsigtigt.

## BORTSKAFFELSE AF ASKE

Aske skal placeres i en metalbeholder med tætsluttende låg. Den lukkede beholder med aske skal være placeret på et gulv af materiale, der ikke er brændbart, eller på jorden, et godt stykke væk fra alle brændbare materialer, indtil asken bortskaffes helt. Når asken bortskaffes ved at grave den ned eller ved at sprede den ud over jorden, skal den holdes i den lukkede beholder, indtil alle gløder er fuldstændigt afkølede.

## TRÆPILLER SOM BRÆNDELSE

Denne træpillefyrede enhed til madlavning er udelukkende designet og godkendt til brændsel, der er fremstillet af naturtræ i pilleform. Anvendes nogen anden form for brændsel, ophæves garantiens dækning og den angivne sikkerhedsklassifikation. Du må kun anvende piller af naturtræ, som er beregnet til afbrænding i en træpillegrill. Undgå at benytte brændsel, som er tilsat andre stoffer. Træpiller er meget modtagelige for fugt og skal altid opbevares i en lufttæt beholder. Hvis grillen opbevares og er inaktiv gennem en længere periode, anbefales vi at fjerne pillerne fra grillens magasin og snegl, for at forhindre tilstopninger.

**Undgå at benytte sprit, benzin, flydende lightergas eller petroleum til antænding eller opfriskning af ilden i grillen. Hold alle væsker helt væk fra enheden, når den er i brug.**

Da vejledningen her blev trykt, fandtes der ingen branchestandard for træpiller til grill, selvom næsten alle træpilleprodukter anvender de samme standarder for træpiller til brug i husholdningen. Yderligere oplysninger findes på [www.pelletheat.org](http://www.pelletheat.org) eller hos **Pellet Fuel Institute**.

Kontakt din lokale forhandler angående pillernes kvalitet i dit område og for at få oplysninger om mærkets kvalitet. Da der ikke anvendes nogen kvalitetskontrol af træpiller, kan vi ikke påtage os noget ansvar for skader på grund af brændsel af dårlig kvalitet.

## SOD

Sod, eller kreosot, er en tjærelignende substans. Under afbrænding frembringes der sort røg, som også giver en sort belægning. Sod eller kreosot dannes, når enheden betjenes forkert, f.eks. ved blokering af forbrændingsblæseren, manglende rengøring eller vedligeholdelse af afbrændingsområdet, fugtige piller eller dårlig forbrænding på grund af forringet ventilation.

Det er farligt at bruge enheden, hvis flammen bliver mørk, det soder eller hvis brændkarret bliver overfyldt med piller. Ved antænding kan denne sod skabe en ekstremt varm og ukontrollabel ild, svarende til en oliebrand. Hvis dette sker, skal du SLUKKE enheden, lade den køle helt af og derefter kontrollere den med henblik på vedligeholdelse og rengøring. Soden samler sig typisk omkring luftafgangsområderne.

Hvis der har dannet sig sod inde i enheden, skal du lade enheden varme op ved lav temperatur, slukke enheden og derefter tørre alle belægninger af med et håndklæde. Som for tjære er soden meget lettere at fjerne, når den er varm, fordi soden bliver flydende.

## KULILTE ("DEN STILLE DRÆBER")

Kulilte er en farveløs, duftløs og smagsløs gas, der produceres ved afbrænding af gas, træ, propan, kul eller andet brændsel. Kulilte reducerer blodets evne til at transportere ilt. Lavt iltniveau i blodet kan resultere i hovedpine, svimmelhed, kraftsløshed, kvalme, opkast, sløvhed, forvirring, bevidstløshed eller døden. Følg disse anvisninger for at forhindre, at denne farveløse og duftløse gas forgifter dig, din familie eller andre.

- Søg læge, hvis du eller andre udvikler forkølelse eller influenzalignende symptomer under madlavningen på eller i nærheden af enheden. Kulilteforgiftning, som let kan fejlfortolkes som forkølelse eller influenza, opdages ofte for sent.
- Brug af alkohol og narkotika kan forværre kulilteforgiftningen.

Kulilte er særligt giftig for moder og barn under graviditet, spædbørn, ældre, rygere og personer med blod- eller kredsløbssygdomme som f.eks. anæmi eller hjerteproblemer.



## SIKKERHEDSKLASSIFICERING

Overholder EN 60335-2-102:2016, EN 60335-1:2012 + A11:2014 + A13:2017 + A1: 2021 + A14: 2021 + A2: 2021, EN62233: 2008, EN 55014-1:2017, EN 61000-3-2:2014, EN 61000-3-3:2013, EN 55014-2:2015.



DK

DANSK



### BEMÆRKNING OM OPHAVSRET

Copyright 2021 Alle rettigheder forbeholdes. Ingen del af denne vejledning må kopieres, overføres, transkriberes, gemmes i et overførselssystem i nogen form eller på nogen måde uden udtrykkelig skriftlig tilladelse fra

#### **Dansons**

3411 North 5th Avenue, Suite 500, Phoenix, AZ, USA 85013

sales@pitboss-grills.com | service@pitboss-grills.com [www.pitboss-grills.com](http://www.pitboss-grills.com)

#### **Kundeservice**

mandag til søndag, 04:00-20:00 PST (EN/FR/ES)

**Gratis tlf.: 1-877-303-3134, Fax: 1-877-303-3135**

# INDHOLDSFORTEGNELSE

Sikkerhedsoplysninger.....	135	Reservedele	
Betjeningsvejledning		PB550G Reservedele til grillen .....	150
Grillens omgivelser .....	139	PB700G Reservedele til grillen .....	152
Interval for grillens temperatur.....	140	PB850G Reservedele til grillen.....	154
Aflæsning af kontrolpanelet .....	141	PB1150G Reservedele til grillen .....	156
Aflæsning af termometre .....	142	PB550G Reservedele til magasinet .....	158
Aflæsning af "P"-indstillingen .....	142	PB700G / PB850G / PB1150G Reservedele til magasinet.....	159
Magasins klargøringsprocedure .....	142	Garanti	
Første gang – afbrænding af grillen .....	143	Betingelser.....	160
Procedure for automatisk opstart .....	143	Undtagelser .....	160
Procedure for manuel opstart.....	143	Bestilling af reservedele.....	161
Slukning af grill.....	144	Kontakt kundeservice .....	161
Pleje og vedligeholdelse .....	144	Service på garantien.....	161
Tip og teknikker .....	146		
Fejlfinding .....	147		
Strømskema .....	149		

DK

DANSK

# BETJENINGSVEJLEDNING

Med den moderne livsstil, hvor vi forsøger at spise sund og ernæringsrigtig, er reduktionen af fedtindtaget en væsentlig faktor. En af de bedste metoder til at skære ned på fedtet i kosten er at bruge fedtfattige tilberedningsmetoder, f.eks. grill. Da en træpillegrill bruger piller af naturtræ, optages træets gode aroma i kødet og reducerer behovet for marinader med højt sukkerindhold. I denne vejledning vil du bemærke, hvor meget der lægges vægt på at grille maden langsomt ved temperaturindstillingerne LOW (Lav) eller MEDIUM (Mellem).

## GRILLENS OMGIVELSER

### 1. HVOR SKAL GRILLEN PLACERES

Som for alt udendørs udstyr spiller vejrforholdene en vigtig rolle for grillens resultater og den tilberedningstid, der kræves for at skabe det perfekte måltid.

Alle Pit Boss®-enheder skal som minimum have en afstand på 914 mm (36 tommer) til brændbare konstruktioner, og denne afstand skal bevares, mens grillen er i brug. Denne enhed må ikke placeres under lofter eller udhæng, der er fremstillet af brændbare materialer. Placer grillen i et område, der er ryddet for brændbare materialer, benzin eller andre brændbare dampe eller væsker.

### 2. STEGNING I KOLDT VEJR

Selvom det bliver køligere udenfor, behøver grillsæsonen ikke være slut! Den friske, kølige luft og den skønne duft af røgede fødevarer vil jage vinterdepressionen på flugt.

Følg disse forslag for at kunne nyde din grill gennem de kolde måneder:

- Hvis rygning ved lave temperaturer ikke lykkes, skal du øge temperaturen en smule for at opnå bedre resultater.
- Arranger – Sørg for, at du har alt klar i køkkenet, før du går udenfor. Om vinteren kan du flytte grillen til et område væk fra den kolde blæst. Kontrollér de lokale bestemmelser angående afstanden mellem din grill og dit hus og/eller andre konstruktioner. Placer alt, du har brug for, på en bakke, klæd dig godt på, og gå i gang!
- For at kunne holde øje med temperaturen udenfor, kan du placere et udendørs termometer i nærheden af grillen. Før en log eller et register over, hvad du har stegt, den udendørs temperatur og tilberedningstiden. Det kan senere gøre det lettere at finde ud af, hvad du kan tilberede, og hvor længe det vil tage.
- I meget koldt vejr skal du øge forvarmningstiden med mindst 20 minutter.
- Undgå at løfte låget mere end absolut nødvendigt. Kolde vindstød kan køle grillens temperatur ned på et øjeblik. Indstil dig på et fleksibelt serveringstidspunkt, da tilberedningstiden øges, hver gang du åbner låget.
- Sørg for at have en opvarmet tallerken eller et låg klar for at holde maden varm, mens du bærer den ind.
- Ideelle fødevarer til madlavning om vinteren er dem, der kræver begrænset opmærksomhed, som f.eks. stege, hele kyllinger, ribbensteg og kalkun. Gør forberedelsen af måltidet endnu lettere ved at tilføje simpelt tilbehør som f.eks. grøntsager og kartofler.

### 3. STEGNING I VARMT VEJR

Når det bliver varmere udenfor, reduceres tilberedningstiden.

Følg disse få forslag for at kunne nyde din grill gennem de varme måneder:

- Nedjuster stegetemperaturen. På den måde undgår du uønsket opblussen.
- Brug et stegetermometer til at fastlægge den indvendige temperatur i maden. På denne måde kan du forhindre, at kødet bliver overstegt og tørt.
- Selv i varmt vejr er det stadig bedre at grille med låget på.
- Du kan holde maden varm ved at pakke den ind i folie og placere den i en isoleret køletaske. Fyld sammenkrøllet avispapir omkring den folieindpakkede mad, så kan du holde den varm i 3-4 timer.

## INTERVAL FOR GRILLENS TEMPERATUR

Temperaturlæsninger fra kontrolpanelet svarer muligvis ikke helt til termometeret. Alle de temperaturer, der er anført nedenfor, er omtrentlige og bliver påvirket af følgende faktorer: udendørs omgivende temperatur, vindens kraft og retning, kvaliteten af det anvendte pillebrændsel, låget skal åbnes, og mængden af mad, der tilberedes.

- **HØJ TEMPERATUR (205-260 °C/401-500 °F)**

Dette interval anvendes bedst til brunning og grillning ved høj varme. Bruges sammen med grilllåget (skyderplade) til tilberedning ved indirekte eller direkte varme. Når **grilllåget er åbent**, anvendes der direkte varme til at opnå de kendte "blå" streger, samt grillning af grøntsager, hvidløgsbrød eller marshmallows! Når **grilllåget er lukket**, kan luften cirkulere omkring tøndene og danne konvektionsvarme. Høj temperatur anvendes også til at forvarme din grill, brænde stegeristene af og opnå høj varme ved i meget kolde vejrforhold.

- **MELLEMTEMPERATUR (135-180 °C/275-356 °F)**

Dette interval er bedst til bagning, stegning og afslutning på en langsom rygning. Tilberedning ved disse temperaturer vil især reducerer risikoen for antænding af fedtet. Kontrollér, at grilllågets skyderplade er i lukket position, så den dækker ventilationsåbningerne. Velegnet temperaturinterval til stegning af alt, der er pakket ind i bacon, eller når du vil kunne variere temperaturen.

- **LAV TEMPERATUR (82-125 °C/180-257 °F)**

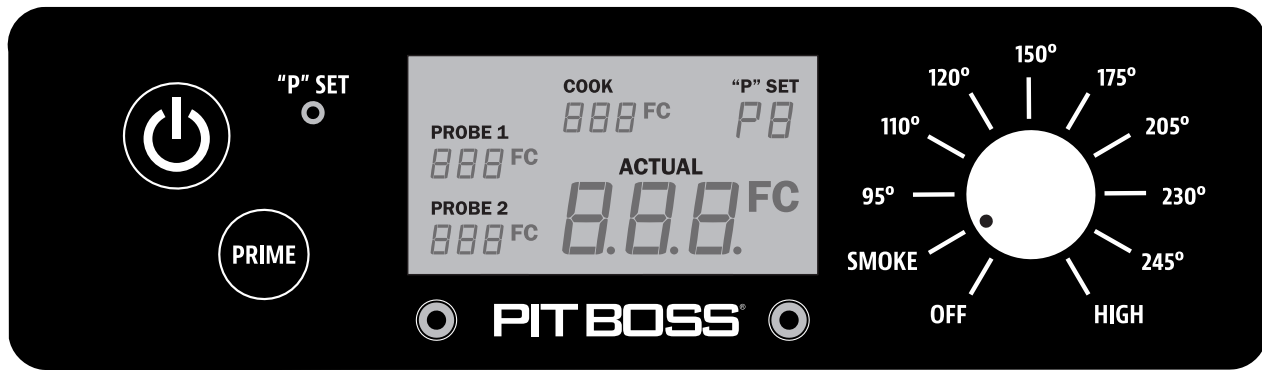
Dette interval bruges til langtidsstegning, øge den røgede smag og holde maden varm. Giv kødet mere røgsmag, og hold det saftigt ved at stege det i længere tid ved en lavere temperatur (også kendt som **lav og længe**). Anbefales til den store gås til jul, den saftige lammekølle eller skinke til påske og den store steg til festen.

Ryngning er en variation af ægte grilltradition og er den største fordel ved at grille på en træpillegrill. **Varmrygning**, et andet navn for tilberedning **over lang tid ved lav varme**, foregår generelt ved 82-125 °C/180-257 °F. Varmrygning fungerer bedst, når der kræves længere tilberedningstid, f.eks. ved store udkæringer af kød, fisk eller fjerkræ.

**TIP: For at fremme den fyldige smag skal du skifte til det (lave) temperaturinterval SMOKE (LOW), umiddelbart efter du har placeret maden på grillen. På denne måde kan røgen trænge ind i kødet.**

Det vigtigste er at eksperimentere med, hvor længe du lader rygningen være, inden maden er færdigtilberedt. Nogle udendørskokke foretrækker at ryge i slutningen af tilberedningen, så maden kan holde sig varm frem til serveringstidspunktet. Øvelse gør mester!

## AFLÆSNING AF KONTROLPANELET



KONTROLKNAP	BESKRIVELSE
	Tryk på <b>strømknappen</b> for at tænde enheden. Knappen lyser blå, hvis enheden er tilsluttet en strømkilde. Tryk på knappen igen for at slukke enheden.
	<b>Temperaturstyringsknappen</b> gør det muligt at indstille den ønskede rygetemperatur. Så snart enheden er tilsluttet en strømkilde, og du har trykket på strømknappen, skal du dreje knappen og vælge en af de ti forudindstillede temperaturer mellem 82 og 260 °C/180 og 500 °F. Når knappen er drejet til en temperaturindstilling, lyser den digitale LCD-skærm op og viser, at den er klar til betjening. Når du slukker enheden på knappen, forbliver den digitale LCD-skærm slukket.
	<b>"P"-indstillingsknappen</b> bruges til at vælge en af de otte finjusteringer, når temperaturstyringsknappen er indstillet til indstillingen Smoke. Tryk på knappen for at ændre "P"-indstillingen for at tilpasse tilberedningstypen og -betingelserne efter ønske. Med et <b>kort tryk</b> på knappen øges indstillingen fra P0 til P7. Derefter gentages det. Det er kun muligt at foretage justeringer i indstillingen Smoke. Standardindstillingen er "P4". Hvis "P"-indstillingen justeres, bliver din foretrukne indstilling låst (gemt), indtil der foretages endnu en justering.  <b>"P"-indstillingsknappen</b> anvendes også som <b>temperaturstyringsknop</b> til ændring af temperaturvisningen på LCD-skærmen. Tryk på <b>og hold</b> knappen nede i to sekunder for at skifte til Celsius (°C) eller Fahrenheit (°F) efter ønske. Standardindstillingen er Celsius.
	<b>LCD-skærmen</b> anvendes som informationscenter for din enhed. LCD-skærmen vil vise ønsket stegetemperatur, faktisk stegetemperatur og stegetermometerets måling (hvis tilsluttet). Hvis der kun er tilsluttet et stegetermometer, vises kun en måling.
	Tryk på og hold <b>klargøringsknappen</b> nede for at aktivere en ekstra tilførsel af piller til brændkarret. Dette kan bruges til at tilføje mere brændsel til ilden, før du åbner tøndelåget, med henblik på hurtigt at genoprette varmen. Det kan også bruges under rygning for at øge intensiteten af den rene røgsmag. Kræves i grillekonkurrencer.
<b>SMOKE</b>	Indstillingen <b>Smoke</b> på temperaturstyringsknappen er enhedens starttilstand. Grillen benyttes ved den laveste temperatur uden at ilden går ud.
	Tilslutningsstikket(ene) på forsiden af kontrolpanelet er beregnet til et eller flere <b>stegetermometre</b> . Når der er tilsluttet et stegetermometer, vises temperaturen på LCD-skærmen. Når stegetermometeret ikke er i brug, skal du koble den fra tilslutningsstikket. <i>Kun kompatibel med Pit Boss®-stegetermometre. Ekstra stegetermometre sælges separat.</i>



## AFLÆSNING AF TERMOMETRE

### • TERMOMETER

Stegetermometeret er placeret inde i hovedtønden, på den venstre væg. Det er et lille, lodret stykke rustfrit stål. Stegetermometeret måler den indvendige temperatur for enheden. Når temperaturen er justeret på kontrolpanelet, vil stegetermometeret måle den faktiske temperatur inde i enheden og justere den til den ønskede temperatur.

**VIGTIGT: Enhedens temperatur påvirkes meget af vejret udenfor, kvaliteten af de anvendte træpiller, træpillernes aroma og mængden af mad, der tilberedes.**

### • STEGETERMOMETER

Stegetermometeret måler den indvendige temperatur på kødet i grillen, ligesom i ovnen i dit køkken. Tilslut stegetermometeradapteren til stegetermometerets tilslutningsstik på kontrolpanelet, og indfør stegetermometeret af rustfrit stål i den tykkeste del af kødet. Temperaturen vil blive vist på kontrolpanelet. **For at sikre, at stegetermometeret tilsluttes korrekt til tilslutningsstikket, skal du kunne mærke og høre, at den klikker på plads.**

**BEMÆRK: Ved placering af stegetermometeret i kødet skal du sikre, at stegetermometeret og ledningen ikke kommer i direkte berøring med ilden eller høj varme. Dette kan resultere i beskadigelse af stegetermometeret. Før den overskydende ledning ud af luftafgangshullerne bag på eller på toppen af hovedtønden (tæt ved grillågets hængsel). Når stegetermometeret ikke er i brug, skal du koble den fra tilslutningsstikket og stille den til side for at beskytte og holde den ren.**

## AFLÆSNING AF "P"-INDSTILLINGEN

Når du trykker på den forsænkede "P"-indstillingsknap, blinker indstillingen "P" på LCD-skærmen og skifter til den næste værdi (opad). Når P7 er nået, startes der igen fra P0. Der er otte "P"-indstillinger fra P0 til P7. Du kan trykke på den forsænkede "P"-indstillingsknap med en genstand med en tynd spids.

**VIGTIGT: Undgå at trykke for hårdt på "P"-indstillingsknappen, da den kan blive beskadiget. Der kræves kun et let tryk.**

### • BRUG AF "P"-INDSTILLINGEN I TILSTANDEN SMOKE

Så snart temperaturknappen er indstillet til SMOKE, f.eks. opstartscyklussen, vil sneglen køre i en mere manuel tilberedningstilstand i forhold til brug af de forudindstillede temperaturer for knappen. Sneglen vil i starten køre konstant og tilføje piller i fire minutter. Efter fire minutter begynder sneglen at køre en tilførselscyklus ud fra den "P"-indstilling, der er valgt på det digitale kontrolpanel. Standardindstillingen er P4.

"P"-IND-STILLING	CYKLUS FOR SNEGL (sekunder)	
	ON (TÆND)	OFF (SLUK)
P0	18	55
P1	18	70
P2	18	85
P3	18	100
<b>*P4</b>	<b>18</b>	<b>115</b>
P5	18	130
P6	18	140
P7	18	150

*\*Standardindstilling*

## MAGASINS KLARGØRINGSPROCEDURE

Disse anvisninger skal følges, første gang grillen antændes, og hver gang grillen løber tør for træpiller i magasinet. Sneglen skal klargøres for at lade træpillerne blive ført gennem hele sneglen og fylde brændkarret. **Hvis den ikke klargøres, vil timeout for tænderen blive aktiveret, inden træpillerne er antændt, og der vil ingen ild være.** Følg denne fremgangsmåde for at klargøre magasinet:

1. Åbn magasinets låg. Kontrollér, at der ingen fremmedlegemer er i magasinet eller blokeringer i pilleindføringsneglen i bunden.
2. Fjern alle tilberedningskomponenter indvendigt i grillen. Find brændkarret i bunden af hovedtønden.
3. Tilslut strømledningentilenstrømkilde. Tryk på **strømknappen** for at tænde enheden, og drej **temperaturstyringsknappen** til positionen SMOKE. Kontrollér følgende:
  - At du kan høre sneglen køre. Placer hånden over brændkarret, og mærk luften bevæge sig. Undgå at placere hånden eller fingrene inde i brændkarret. Du kan komme til skade.
  - Efter omtrent et minut skal du kunne duften af tænderen brænde og begynde at mærke, at luften bliver varmere i brændkarret. Tænderspidsen lyser ikke rødt, men bliver meget varm og vil brænde dig. Undgå at berøre tænderen.

4. Når du har kontrolleret, at alle elektriske komponenter fungerer korrekt, skal du trykke på **strømknappen** for at slukke enheden.
5. Fyld magasinet med piller af naturtræ.
6. Tryk på **strømknappen** for at tænde enheden. Hold **temperaturstyringsknappen** i positionen SMOKE. Tryk på og hold **klargøringsknappen** nede, indtil pillerne kan ses indvendigt i grillen fra snegrøret. Når pillerne begynder at falde ned i brændkarret, skal du slippe **klargøringsknappen**.
7. Tryk på **strømknappen** for at slukke enheden.
8. Genmonter tilberedningskomponenterne inde i hovedtønden. Grillen er nu klar til brug. (Se *Monteringsvejledning* for at sikre korrekt montering af tilberedningskomponenter.)

## FØRSTE GANG – AFBÆNDING AF GRILLEN

Når magasinet er blevet klargjort og inden tilberedning på grillen for første gang, er det vigtigt at fuldføre en afbrænding af grillen. Start grillen, og brug den ved enhver temperatur over 176 °C/350 °F (med låget på) i 30-40 minutter for at afbrænde grillen og fjerne eventuelle fremmedlegemer.

## PROCEDURE FOR AUTOMATISK OPSTART

1. Tilslut strømledningen til en jordforbundet strømkilde. Åbn låget på hovedtønden. Kontrollér, at der ingen forhindringer er i brændkarret for at sikre korrekt antænding. Åbn magasinets låg. Kontrollér, at der ingen fremmedlegemer er i magasinet eller blokeringer i pilleindføringsneglen i bunden. Fyld magasinet med tørre piller af hårdt naturtræ.
2. Kontrollér, at **temperaturstyringsknappen** er i positionen SMOKE. Tryk på **strømknappen** for at tænde enheden. Dette vil aktivere opstartscyklussen. Pilleindføringsneglen begynder at dreje, tænderen begynder at gløde, og blæseren tilfører luft til brændkarret. Grillen begynder at frembringe røg under opstartscyklussen. Tøndelåget skal forblive åbent under opstartscyklussen. For at bekræfte, at opstartscyklussen kører korrekt, skal du kunne høre flammen og lægge mærke til, om der frembringes varme.
3. Når der frigives kraftig, hvid røg, er opstartscyklussen fuldført, og du er klar til at bruge din grill ved den ønskede temperatur!

## FEJL I OPTÆNDINGSPROCEDURE

**Hvis den elektriske tænder ikke fungerer, eller flammen i grillen slukkes under tilberedningen, skal du kontrollere følgende fremgangsmåde eller starte grillen med den manuelle metode.**

1. Kontrollér, at **temperaturstyringsknappen** er slukket og i positionen SMOKE. Åbn låget på tønden. Fjern tilberedningskomponenterne inde i enheden. Fjern alle ikkeafbrændte træpiller og aske fra brændkarret. Undgå at berøre tænderen, da den kan være meget varm og give skader.
2. Når du har fjernet og rengjort alle tilberedningskomponenter, skal du trykke på **strømknappen** for at tænde enheden. Kontrollér følgende:
  - Kontrollér visuelt, at tænderen fungerer, ved at placere hånden over brændkarret og mærke varmen.
  - Kontrollér visuelt, at tænderen stikker ca. 13 mm/0,5 tommer ind i brændkarret.
  - Kontrollér visuelt, at neglen smider træpiller ind i brændkarret.
  - Kontrollér, at forbrændingsblæseren fungerer ved at høre flammen.
3. Hvis et af punkterne ovenfor ikke fungerer, skal du følge anvisningerne i *Fejlfinding*.

## PROCEDURE FOR MANUEL OPSTART

1. Kontrollér, at **temperaturstyringsknappen** er i positionen **SMOKE**. Tilslut strømledningen til en jordforbundet strømkilde.
2. Kontrollér, at der ingen forhindringer er i brændkarret for at sikre korrekt antænding. Åbn magasinets låg. Kontrollér, at der ingen fremmedlegemer er i magasinet eller blokeringer i pilleindføringsneglen i bunden. Fyld magasinet med tørre piller af hårdt naturtræ.

3. Åbn låget på tønden. Fjern tilberedelseskomponenterne for at eksponere brændkarret. Placer en god håndfuld træpiller i brændkarret. Sprøjt en antændingsgel eller andet egnet antændingsmiddel på toppen af træpillerne. En lille mængde massivt antændingsmateriale som f.eks. en blanding af savsmuld og voks eller træspåner kan også anvendes. Tilsæt endnu en lille mængde træpiller i brændkarret.

**BEMÆRK: Undgå at benytte sprit, benzin, flydende lighter gas eller petroleum til antænding eller opfriskning af ilden i grillen.**

4. Antænd indholdet af brændkarret med en lang tændstik eller en grill-lighter. Lad startblandingen brænde i 3-5 minutter. Forsøg ikke at tilføje mere startmateriale i brændkarret. Du kan komme til skade.
5. Sæt tilberedningskomponenterne hurtigt og omhyggeligt på plads igen inde i hovedtøndens. Fortsæt med opstartsprocessens trin 2 under **Procedure for automatisk opstart**.

## SLUKNING AF GRILL

1. Når tilberedningen er færdig, mens hovedtøndens låg har været lukket, skal du trykke på **strømknappen** for at slukke enheden og dreje **temperaturstyringsknappen** til OFF (Sluk).

## PLEJE OG VEDLIGEHOLDELSE

Enhver Pit Boss®-enhed vil give dig mange år med smagfuld tilberedning og behov for et minimum af rengøring. Følg disse tip om rengøring og vedligeholdelse for at passe godt på din grill:

### 1. MAGASINENHED

- Magasinet omfatter en rengøringsfunktion, som gør det let at rengøre magasinet og fjernelse af træpillebrændslets aromaer. For at tømme magasinet skal du finde pladen og dækslet på udkasterrøret på bagsiden af magasinet. Placer en ren, tom spand under udkasterøret, og fjern derefter dækslet på røret. Skru pladen af, og skub den udad, så pillerne kan løbe ud.

**BEMÆRK: Brug en børste med langt håndtag eller en værkstedsstøvsuger til at fjerne overskydende træpiller, savsmuld og snavs for at sikre en fuldstændig rengøring af magasinet.**

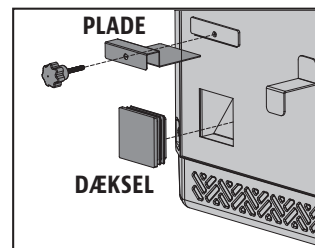
- Det anbefales, at alle træpiller føres ud af sneglen, hvis grillen har været taget ud af brug i længere tid. Det kan gøres ved blot at bruge grillen med et tomt magasin, indtil alle træpiller er tømt ud af sneglørøret.
- Kontrollér og fjern al snavs fra blæserens luftindtag, som findes i bunden af magasinet. Så snart magasinet adgangspanel er fjernet (se **Strømskema** for at få vist et diagram), skal du tørre alle fedtaflejringer på blæserbladene af. Dette sikrer tilstrækkelig luftgennemstrømning til fødersystemet.

### 2. TERMOMETRE

- Knæk og folder på termometerledninger kan forårsage skader. Et stegetermometer, som ikke er i brug, skal vindes løst op i en stor rulle.
- Selvom både temperaturmåleren og stegetermometrene er af rustfrit stål, må de ikke vaskes i en opvaskemaskine eller nedsænkes i vand. Vandskaber på de indvendige ledninger vil få en temperaturmåler til at kortslutte og give forkerte målinger. Hvis en temperaturmåler bliver beskadiget, skal den udskiftes.

### 3. INDERFLADER

- Det anbefales at rengøre brændkarret efter nogle få gange i brug. Dette sikrer korrekt antænding og forebygger hårde belægninger af snavs eller aske inde i brændkarret.
- Brug en grillbørste med langt håndtag til at fjerne alle madrester eller belægninger fra stegeristene. Bedste praksis er at gøre dette, mens de stadig er varme efter seneste tilberedning. Hvis der findes for meget snavs på grillens tilberedningskomponenter, kan fedtet antænde. Rengør indersiden af grillen regelmæssigt. Hvis du oplever, at fedtstoffet på grillen begynder at brænde, skal du lade låget være på for at kvæle branden. Hvis branden ikke





hurtigt går ud, skal du slukke grillen, fjerne maden og lægge låget på, indtil branden er gået helt ud. Drys en smule bagepulver på, hvis du har noget.

- Kontrollér fedtspanden ofte, og rens den efter behov. Tag altid højde for, hvilken type tilberedning du vil i gang med.

**VIGTIGT: På grund af høj varme, må du ikke tildække grilllåget eller temperaturmålerne med alufolie.**

#### 4. YDERFLADER

- Tør grillen af, hver gang du har brugt den. Brug varmt sæbevand til at fjerne fedtstoffet. Undgå at bruge ovnrens, ridsende rengøringsmidler eller rensesvampe på ydersiden af grillen. **Alle malede overflader er ikke omfattet af garantien**, men indgår i den almindelige rengøring og vedligeholdelse. I tilfælde af ridser, slitage eller afskalning af overfladen, kan alle malede flader reoveres med en varmeresistent grillmaling.
- Brug et grillovertræk til at beskytte grillen bedst muligt! Et overtræk er den bedste beskyttelse mod vejret og forurening udefra. Når enheden ikke er i brug eller stilles væk gennem længere tid, skal du tildække den og placere den i en garage eller et skur.

#### TIDSPLAN FOR RENGØRING (NORMAL BRUG)

ELEMENT	RENGØRINGSHYPPIGHED	RENGØRINGSMETODE
Bunden af hovedtønde	Efter hver 5.-6. gang	Fjern overskydende snavs med en kost eller en værkstedsstøvsuger
Brændkar	Efter hver 2.-3. gang	Fjern overskydende snavs med en kost eller en værkstedsstøvsuger
Stegeriste	Efter hver gang	Afbrænd snavs, børst af med messingtrådbørste
Grilllåg	Efter hver 5.-6. gang	Skrab hovedplade med skyderplade, <b>undgå vask for at rengøre</b>
Forreste hylde	Efter hver gang	Skrubbesvamp og sæbevand
Fedtspand	Efter hver gang	Skrubbesvamp og sæbevand
Pilleindføringssnegl	Når træpilleposen er tom	Lad sneglen skubbe savsmuld ud, så magasinet er tomt
Magasinets elektriske komponenter	En gang om året	Støv af indvendigt, tør blæserblade af med sæbevand
Ventilations luftindtag	Efter hver 5.-6. gang	Støv af, brug skrubbesvamp og sæbevand
Termometer	Efter hver 2.-3. gang	Skrubbesvamp og sæbevand

## TIP OG TEKNIKKER

Følg disse nyttige tip og teknikker, som vi har indsamlet fra Pit Boss®-ejere, vores medarbejdere og kunder ligesom dig for at lære din grill bedre at kende:

### 1. FØDEVARESIKKERHED

- Hold alt i køkkenet og tilberedningsområdet rent. Brug forskellige fade og redskaber til det tilberedte kød end dem, du har brugt til at forberede eller transportere det rå kød ud til grillen. Dette forebygger krydskontaminering med bakterier. Du skal bruge forskellige redskaber til de enkelte marinader eller grillsauce.
- Hold varm mad varm (over 60 °C/140 °F), og hold kold mad kold (under 3 °C/37 °F).
- En marinade må aldrig gemmes til senere brug. Hvis du vil servere den sammen med kødet, skal du sørge for at koge den igennem inden servering.
- Tilberedt mad må ikke efterlades over varmen i mere end en time. Stil tilberedt varm mad i køleskabet senest efter to timer.
- Optø og marinér kød, mens det står i køleskabet. Undgå at optø kød ved stuetemperatur eller på køkkenbordet. Bakterier vokser hurtigt i varme eller fugtige fødevarer. Vask hænderne grundigt med varmt sæbevand, før du påbegynder forberedelsen af ethvert måltid og efter håndtering af fersk kød, fisk og fjerkræ.

### 2. KLARGØRING VED MADLAVNING

- Klargør madlavningen eller **Mise en Place**. Dette henviser til klargøring ud fra en opskrift, herunder brændsel, tilbehør, redskaber og alle nødvendige ingredienser ved siden af grillen, inden du påbegynder tilberedningen. Læs også hele opskriften, inden du tænder grillen.
- En grillgulvmåtte er meget nyttig. I forhold til uheld og sprøjt fra madlavningen kan en grillgulvmåtte beskytte et dæk, en terrasse eller stenbelægning mod mulige fedtpletter eller uønskede spild.

### 3. TIP OG TEKNIKKER TIL GRILLNING

- For at give kødet mere røgsmag, skal du tilberede det over længere tid og ved lavere temperaturer (også kendt som **langtidstegning**). Kødets fibre lukkes, efter det har nået en indvendig temperatur på 49 °C/120 °F. Sprøjtning eller smøring er gode metoder til at undgå, at kødet tørrer ud.
- Når du bruner kødet, skal låget være lukket. Brug altid et stegetermometer til at fastlægge den indvendige temperatur i den mad, du tilbereder. Rygning af fødevarer med hårde træpiller får kød og fjerkræ til at blive lyserødt. Det lyserøde bånd (efter stegning) kan betragtes som en del af en god **stegeskorpe**, hvilket udendørs kokke sætter stor pris på.
- Sukkerbaserede saucer påføres bedst i slutningen af tilberedningen for at undgå, at kødet bliver brændt eller flammer op.
- Sørg for, at der er plads mellem fødevarerne og tøndens ydersider, så luftgennemstrømningen bevares. Fødevarer på en overfyldt grillrist kræver mere tilberedningstid.
- Brug en grilltang med langt håndtag til at vende kødet og en spartel til at vende burgerbøffer og fisk. Brug et spidst redskab som f.eks. en gaffel til at prikke kødet, så saften kan slippe ud.
- En sammenkogt ret i en kasserolle vil kræve mere tilberedningstid end en lav bradepande.
- Det er en god ide at placere tilberedt mad på et opvarmet fad, så maden holder sig varm. Rødt kød som f.eks. bøffer og stege har godt af at hvile i flere minutter, før de serveres. På den måde trækker varmen saften ud til overfladen af kødet og tilbage igen til midten af kødet, hvilket øger smagen.

# FEJLFINDING

Korrekt rengøring, vedligeholdelse og brug af rent og tørt brændsel af god kvalitet forhindrer generelle problemer med brugen af enheden. Når din Pit Boss®-grill fungerer dårligt, eller kun anvendes ved sjældne lejligheder, kan følgende tip til fejlfinding være nyttige.

Se Ofte stillede spørgsmål på [www.pitboss-grills.com](http://www.pitboss-grills.com). Du kan også kontakte din lokale autoriserede Pit Boss®-forhandler eller kontakte kundeservice for at få hjælp.

**ADVARSEL: Frakobl altid elledningen, inden grillen åbnes i forbindelse med eftersyn, rengøring, vedligeholdelse eller reparationer. Sørg for, at grillen er helt afkølet for at undgå personskade.**

PROBLEM	ÅRSAG	LØSNING
Ingen strømindikator på kontrolpanelet	Temperaturkontrolknappen er stadig slukket.	Tryk på strømknappen, og kontrollér, at knappen lyser blåt som tegn på, at strømmen er tilsluttet. Drej temperaturstyringsknappen til en temperaturindstilling.
	Ikke tilsluttet en strømkilde	Kontrollér, at enheden er tilsluttet en fungerende strømkilde. Nulstil afbryderen. Kontrollér, at HFI-relæet som minimum kører ved 10 A (se <b>Strømskema</b> angående adgang til elektriske komponenter). Kontrollér, at alle ledninger er tilsluttet korrekt og er tørre.
	Sikring er gået på kontrolpanelet	Fjern adgangspanelet på magasinet (se ledningsføringen under <b>Strømskema</b> ). Tryk på de plastik-tapper, som holder kontrolpanelet på plads, og træk forsigtigt i kontrolenheden inde i magasinet for at frigøre den. Kontrollér altid sikringen for en ødelagt ledning, eller hvis ledningen er blevet sort. Hvis sikringen er gået, skal den udskiftes manuelt.
	HFI-relæet er slået fra.	Fjern magasinets adgangspanel (se <b>Strømskema</b> for at få vist et diagram), og sørg for, at alle ledninger er tilsluttet korrekt og tørre. Kontrollér, at HFI-relæet kører ved minimum 10 A.
	Fejl på kontrolpanelet	Kontrolpanelet skal udskiftes. Kontakt kundeservice for at bestille en reservedel.
Ilden i brændkarret kan ikke antændes	Indføringssneglen er ikke klargjort	Inden enheden bruges første gang, eller når magasinet er blevet helt tømt, skal indføringssneglen klargøres, for at pillerne kan fylde sneglørøret. Hvis den ikke klargøres, vil timeout for tænderen blive aktiveret, inden træpillerne når frem til brændkarret. Følg <b>Magasins klargøringsprocedure</b> .
	Sneglens motor er gået i stå	Fjern tilberedelseskomponenterne fra hovedtønden. Tryk på strømknappen for at tænde enheden, og drej temperaturstyringsknappen til positionen SMOKE. Kontrollér pilleindføringssneglen. Kontrollér visuelt, at sneglen smider træpiller ind i brændkarret. Hvis den ikke fungerer korrekt, skal du ringe til kundeservice for at få hjælp eller en reservedel.
	Fejl i tænder	Fjern tilberedelseskomponenterne fra hovedtønden. Tryk på strømknappen for at tænde enheden, og drej temperaturstyringsknappen til positionen SMOKE. Kontrollér tænderen. Kontrollér visuelt, at tænderen fungerer, ved at placere hånden over brændkarret og mærke varmen. Kontrollér visuelt, at tænderen stikker ca. 13 mm/0,5 tommer ind i brændkarret. Hvis den ikke fungerer korrekt, skal du følge <b>Procedure for manuel opstart</b> for at fortsætte med at bruge grillen. Ring kundeservice, hvis du har brug for hjælp eller en reservedel.
Blinkende prikker på LCD-skærmen	Tænderen er tændt	Dette er ikke en fejl, der påvirker grillen. Denne funktion bruges til at vise, at strømforsyningen til enheden fungerer, og at grillen er i opstartstilstand (tænderen er tændt). Tænderen slukkes automatisk efter fem minutter. Så snart de blinkende prikker forsvinder, begynder grillen at justere til den valgte temperatur.
Blinkende temperaturvisning på LCD-skærmen	Grillens temperatur er under 65 °C/150 °F	Dette er ikke fejl, der påvirker enheden. Den kan til gengæld bruges til at vise, at ilden kan risikere at gå ud. Kontrollér magasinet for tilstrækkeligt brændsel, eller om der er en forhindring i fødersystemet. Fjern pillerne, og følg anvisningerne under <b>Pleje og vedligeholdelse</b> . Kontrollér grilltermometeret, og følg anvisningerne under <b>Pleje og vedligeholdelse</b> , hvis den er snavset. Kontrollér brændkarret for askeaflejringer eller tilstopninger, og følg anvisningerne under <b>Pleje og vedligeholdelse</b> for at fjerne askeaflejringer. Kontrollér blæseren. Kontrollér, at den fungerer korrekt, og at luftindtaget ikke er blokeret. Følg anvisningerne under <b>Pleje og vedligeholdelse</b> , hvis den er snavset. Kontrollér indføringssneglens motor for at sikre korrekt drift (rotation), og kontrollér, at der ingen blokeringer er i sneglørøret.

Fejlkode "ErH"	Enheden er overopvarmet, muligvis på grund af antænding af fedt eller overskydende brændsel.	Tryk på strømknapen for at slukke enheden, og lad grillen køle af. Følg anvisningerne under <b>Pleje og vedligeholdelse</b> . Efter vedligeholdelsesarbejdet, skal du fjerne pillerne og kontrollere, at alle komponenter er placeret korrekt. Når enheden er kølet af, skal du trykke på strømknapen for at tænde enheden. Vælg derefter den ønskede temperatur. Hvis fejlkoden stadig vises, skal du kontakte kundeservice.
Fejlkode "Er1"	Termometerets ledning har ikke forbindelse.	Fjern magasinet adgangspanel (se <b>Strømskema</b> for at få vist et diagram), og kontrollér, om termometerledningerne er beskadigede. Kontrollér, at termometerets Molex-stik er tilsluttet korrekt og sidder fast på kontrolpanelet.
Fejlkode "ErP"	Enheden blev ikke slukket korrekt, da strømmen senest var tilsluttet.	Sikkerhedsfunktionen forhindrer en automatisk genstart. Tryk på strømknapen for at slukke enheden, vent i to minutter, og tryk derefter på strømknapen for at tænde enheden igen. Drej temperaturstyringsknapen til SMOKE eller den ønskede temperatur. Hvis fejlkoden stadig vises, skal du kontakte kundeservice.
	Strømafbrud mens enheden var i brug.	
Fejlkode "noP"	Forkert tilslutning ved tilslutningsstik	Frakobl stegetermometeret fra tilslutningsstikket på kontrolpanelet, og tilslut det igen. Sørg for, at stegetermometeret adapter er tilsluttet korrekt. Se efter tegn på beskadigelse af enden på adapteren. Hvis det stadig ikke fungerer, skal du kontakte kundeservice for at bestille en reservedel.
	Stegetermometer er beskadiget	Se efter tegn på beskadigelse af ledningerne til stegetermometeret. Hvis de er beskadigede, skal du ringe til kundeservice for at bestille en reservedel.
	Fejl på kontrolpanelet	Kontrolpanelet skal udskiftes. Kontakt kundeservice for at bestille en reservedel.
Grillens temperatur i tilstanden SMOKE er for høj	"P"-indstillingen er for lav	Tryk på "P"-indstillingsknapen for at øge "P"-indstillingen.
Grillen opnår eller holder ikke en stabil temperatur	Utilstrækkelig luftgennemstrømning i brændkarret	Kontrollér brændkarret for askeaflejringer eller tilstopninger. Følg anvisningerne under <b>Pleje og vedligeholdelse</b> for at fjerne askeaflejringer. Kontrollér blæseren. Kontrollér, at den fungerer korrekt, og at luftindtaget ikke er blokeret. Følg anvisningerne under <b>Pleje og vedligeholdelse</b> , hvis den er snavset. Kontrollér indføringsneglens motor for at sikre korrekt drift, og kontrollér, at der ingen blokeringer er i snegløret. Når alle tiltag ovenfor er udført, skal du starte grillen, indstille temperaturen til SMOKE og vente i 10 minutter. Kontrollér, at den frembragte flamme er klar og levende.
	Manglende brændsel, brændsel af dårlig kvalitet, forhindringer i fødersystemet	Kontrollér, at brændselniveauet i magasinet er tilstrækkeligt, og fyld op, hvis det er lavt. Hvis kvaliteten af træpillerne er lav, eller pillerne er for lang i formen, kan det forårsage tilstopning af fødersystemet. Fjern pillerne, og følg anvisningerne under <b>Pleje og vedligeholdelse</b> .
	Termometer	Kontrollér status for termometeret. Følg anvisningerne under <b>Pleje og vedligeholdelse</b> , hvis den er snavset. Kontakt kundeservice for at bestille en reservedel, hvis den er beskadiget.
Grillen producerer meget eller misfarvet røg	Fedtaflejringer	Følg anvisningerne under <b>Pleje og vedligeholdelse</b> .
	Kvalitet af træpiller	Fjern fugtige træpiller fra magasinet. Følg anvisningerne under <b>Pleje og vedligeholdelse</b> for at rense magasinet. Påfyld tørre træpiller.
	Brændkarret er blokeret	<i>Fjern fugtige træpiller fra brændkarret. Følg <b>Magasins klargøringsprocedure</b>.</i>
	Utilstrækkeligt luftindtag i blæser	Kontrollér blæseren. Kontrollér, at den fungerer korrekt, og at luftindtaget ikke er blokeret. Følg anvisningerne under <b>Pleje og vedligeholdelse</b> , hvis den er snavset.
Hyppig opblussen	Stegetemperatur	Forsøg at tilberede maden ved en lavere temperatur. Fedt har et flammepunkt. Hold temperaturen under 176 °C/350 °F, når du tilbereder mad med et højt fedtindhold.
	Fedtaflejringer på tilbedelseskomponenter	Følg anvisningerne under <b>Pleje og vedligeholdelse</b> .

# STRØMSKEMA

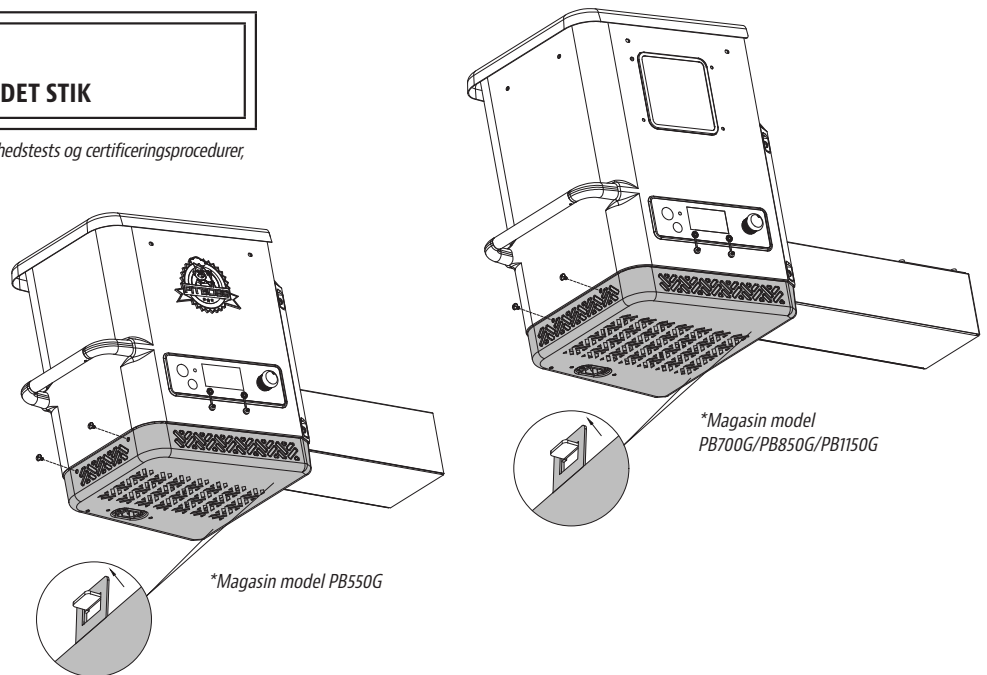
Det digitale kontrolpanel er et avanceret og værdifuldt stykke teknologi. Angående beskyttelse mod overspænding og kortslutning skal du se strømskemaet nedenfor for at sikre, at strømkilden er tilstrækkelig til at drive enheden.

**PB – STRØMKRAV**  
220-240 V, 50 Hz, 250 W, JORDFORBUNDET STIK

BEMÆRK: Elektriske komponenter, der har bestået produktsikkerhedstests og certificeringsprocedurer, opfylder en testtolerance på ± 5-10 %.

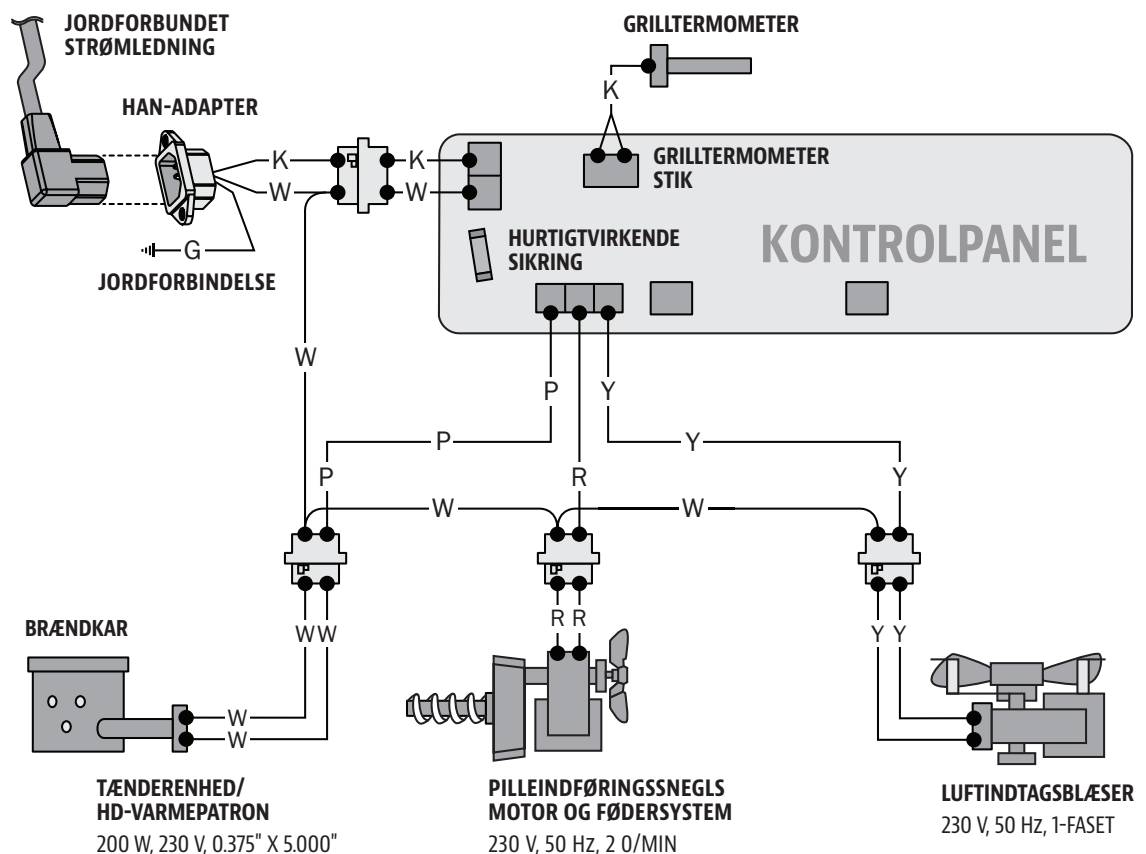
FIND OG FJERN DE TO SKRUEPÅ ADGANGSPANELET PÅ SIDEN AF MAGASINET.

GIV SLIP PÅ DET NEDERSTE MAGASINPANEL, OG SKUB DET TILBAGE FOR AT FRIGØRE DET FRA TAPPEN.



**HASTIGHED FOR BRÆNDSLSINDTAG:**  
2 KG/T  
(4.4 LB/T)

**INDEKS**  
W : HVID  
Y : GUL  
P : LILLA  
R : RØD  
K : SORT  
G : GRØN



DK

DANSK

## PB550G RESERVEDELE TIL GRILLEN

Delnr.	Beskrivelse
1-A	Lågstop (x1)
2-A	Låghåndtag (x1)
3-A	Låghåndtagsring (x2)
4-A	Hovedtønde (x1)
5-A	Magasinenhed (x1)
6-A	Justeringsstang til grillåg (x1)
7-A	Håndtag til justeringsstang til grillåg (x1)
8-A	Skyderplade i grillåg (x1)
9-A	Hovedplade i grillåg (x1)
10-A	Forreste venstre ben (x1)
11-A	Bagerste venstre ben (x1)
12-A	Forreste højre ben (x1)
13-A	Bagerste højre ben (x1)
14-A	Fod til forreste venstre ben (x1)
15-A	Fod til bagerste venstre ben (x1)
16-A	Hjul (x2)
17-A	Nederste højre støtteplade (x1)
18-A	Nederste venstre støtteplade (x1)
19-A	Kort støtteplade (x2)

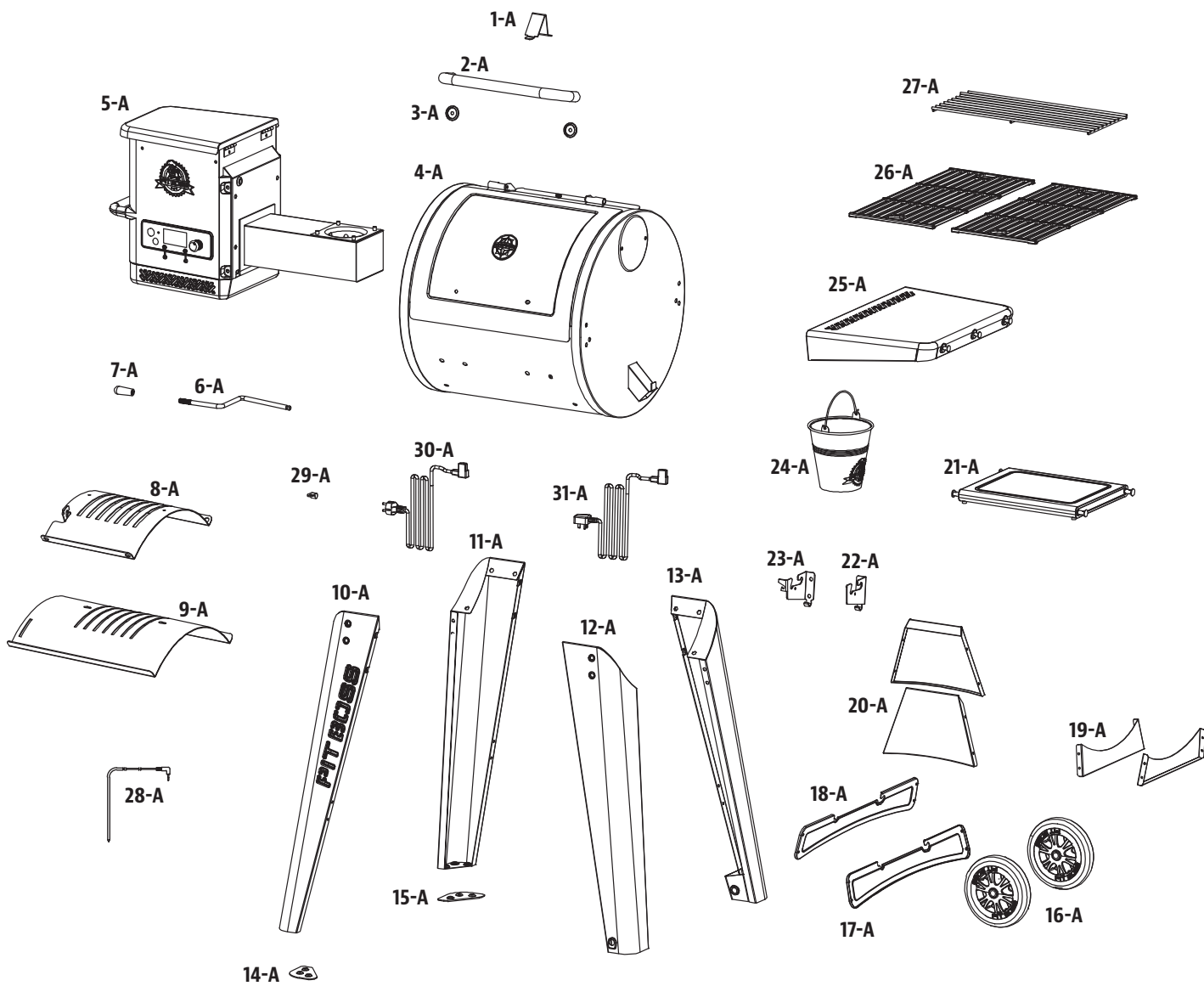
Delnr.	Beskrivelse
20-A	Lang støtteplade forrest/bagerst (x2)
21-A	Forreste hylde (x1)
22-A	Beslag til forreste hylde (højre) (x1)
23-A	Beslag til forreste hylde (venstre) (x1)
24-A	Fedtspand (x1)
25-A	Højre sidebord (x1)
26-A	Stegerist (x2)
27-A	Opvarmningsstativ (x1)
28-A	Stegeretermometer (x1)
29-A	Strømkabelklemme (x1)
30-A	Strømkabel - F-stik (x1)
31-A	Strømkabel - G-stik (x1)
A	Skruer (x18)
B	Spændeskive (x18)
C	Fjederskive (x18)
D	Skruer (x30)
E	Hjulakselstift (x2)
F	Hjulsplitt (x2)
G	Hjulspændeskive (x2)

BEMÆRK: På grund af løbende produktudvikling kan dele være ændret uden varsel.

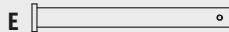
Illustreret skema på næste side.

MODEL	MONTERET ENHED (B x H x D)	ENHEDS VÆGT	STEGEOMRÅDE	TEMP. INTERVAL	DIGITALE FUNKTIONER
PB PB550G	1227mm x 1195mm x 868mm / 48,3" x 47" x 34,17"	55,7 kg / 122,8 lb	Hoveddel - 2580,6 cm <sup>2</sup> / 400 sq. in. Overdel - 920 cm <sup>2</sup> / 142,6 sq. in. <b>/ ALT - 3500,6 cm<sup>2</sup> / 542,6 sq. in.</b>	82-260°C / 180-500°F	Ti forudindstillede temperaturer, opstartscyklus, elektrisk tænder

# PB550G RESERVEDELE TIL GRILLEN



DK  
DANSK



# PB700G RESERVEDELE TIL GRILLEN

Delnr.	Beskrivelse
1-A	Lågstop (x1)
2-A	Låghåndtag (x1)
3-A	Låghåndtagsring (x2)
4-A	Hovedtønde (x1)
5-A	Magasinenhed (x1)
6-A	Justeringsstang til grillåg (x1)
7-A	Håndtag til justeringsstang til grillåg (x1)
8-A	Skyderplade i grillåg (x1)
9-A	Hovedplade i grillåg (x1)
10-A	Forreste venstre ben (x1)
11-A	Bagerste venstre ben (x1)
12-A	Forreste højre ben (x1)
13-A	Bagerste højre ben (x1)
14-A	Fod til forreste venstre ben (x1)
15-A	Fod til bagerste venstre ben (x1)
16-A	Hjul (x2)
17-A	Nederste højre støtteplade (x1)
18-A	Nederste venstre støtteplade (x1)
19-A	Kort støtteplade (x2)
20-A	Lang støtteplade forrest (x1)

Delnr.	Beskrivelse
21-A	Lang støtteplade bagerst (x1)
22-A	Forreste hylde (x1)
23-A	Beslag til forreste hylde (højre) (x1)
24-A	Beslag til forreste hylde (venstre) (x1)
25-A	Fedtspand (x1)
26-A	Højre sidebord (x1)
27-A	Stegerist (x2)
28-A	Opvarmningsstativ (x1)
29-A	Stegetermometer (x1)
30-A	Strømkabelklemme (x1)
31-A	Strømkabel – F-stik (x1)
32-A	Strømkabel – G-stik (x1)
A	Skruer (x18)
B	Spændeskive (x18)
C	Fjederskive (x18)
D	Skruer (x30)
E	Hjulakselstift (x2)
F	Hjulsplitt (x2)
G	Hjulspændeskive (x2)

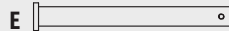
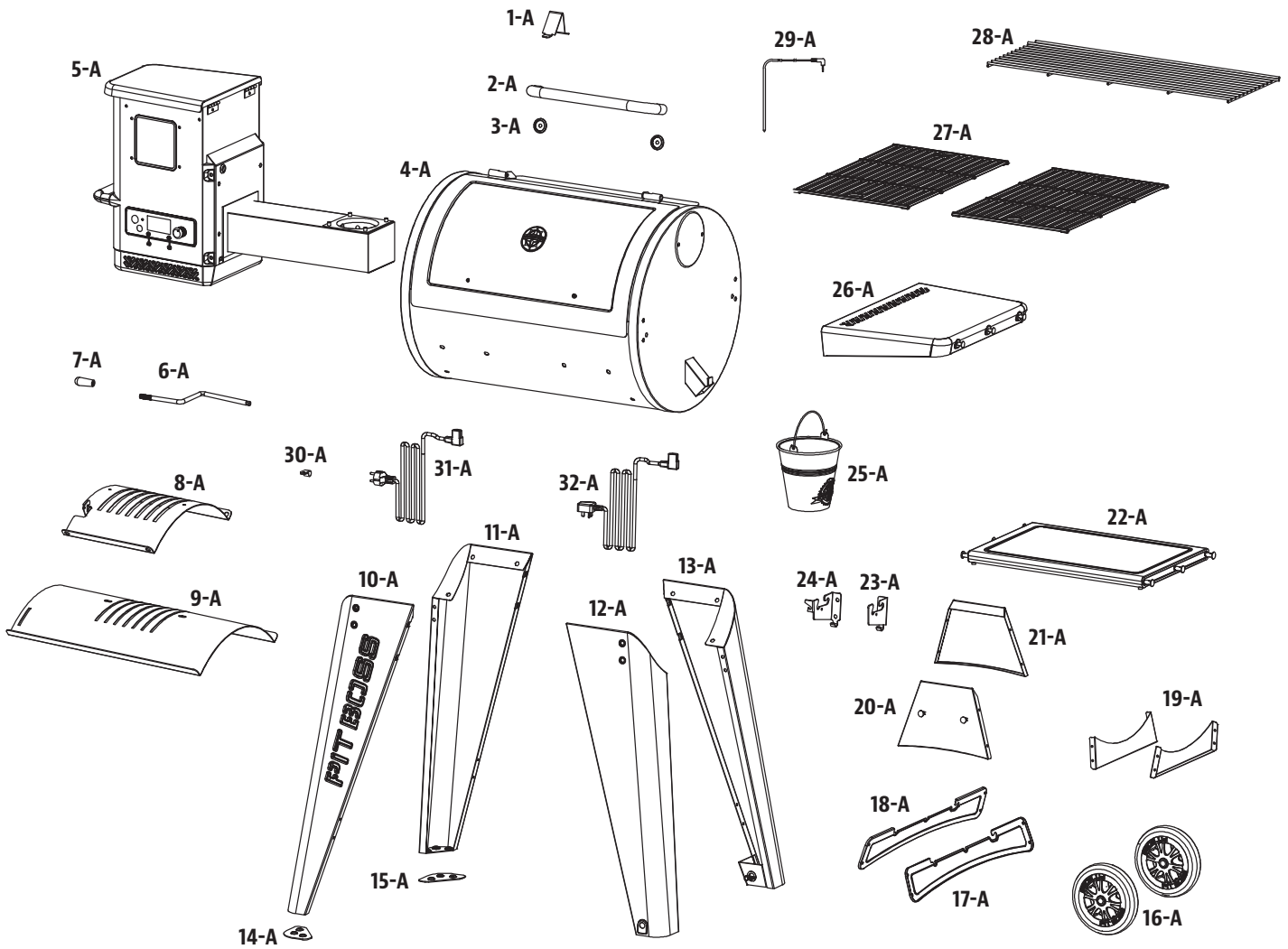
BEMÆRK: På grund af løbende produktudvikling kan dele være ændret uden varsel.

Illustreret skema på næste side.

MODEL	MONTERET ENHED (B x H x D)	ENHEDS VÆGT	STEGEOMRÅDE	TEMP. INTERVAL	DIGITALE FUNKTIONER
PB PB700G	1388mm x 1195mm x 940mm / 54,6" x 47" x 37"	66,5 kg / 146,61 lb	Hoveddel - 3109 cm <sup>2</sup> / 482 sq. in. Overdel - 1341 cm <sup>2</sup> / 208 sq. in. <b>/ ALT - 4450 cm<sup>2</sup> / 690 sq. in.</b>	82-260°C / 180-500°F	Ti forudindstillede temperaturer, opstartscyklus, elektrisk tænder



# PB700G RESERVEDELE TIL GRILLEN



DK

DANSK

## PB850G RESERVEDELE TIL GRILLEN

Delnr.	Beskrivelse
1-A	Lågstop (x1)
2-A	Låghåndtag (x1)
3-A	Låghåndtagsring (x2)
4-A	Hovedtønde (x1)
5-A	Magasinenhed (x1)
6-A	Justeringsstang til grillålg (x1)
7-A	Håndtag til justeringsstang til grillålg (x1)
8-A	Skyderplade i grillålg (x1)
9-A	Hovedplade i grillålg (x1)
10-A	Forreste venstre ben (x1)
11-A	Bagerste venstre ben (x1)
12-A	Forreste højre ben (x1)
13-A	Bagerste højre ben (x1)
14-A	Fod til forreste venstre ben (x1)
15-A	Fod til bagerste venstre ben (x1)
16-A	Drejehjul med bremse (x2)
17-A	Hjul (x2)
18-A	Nederste højre støtteplade (x1)
19-A	Nederste venstre støtteplade (x1)
20-A	Kort støtteplade (x2)
21-A	Lang støtteplade forrest (x1)

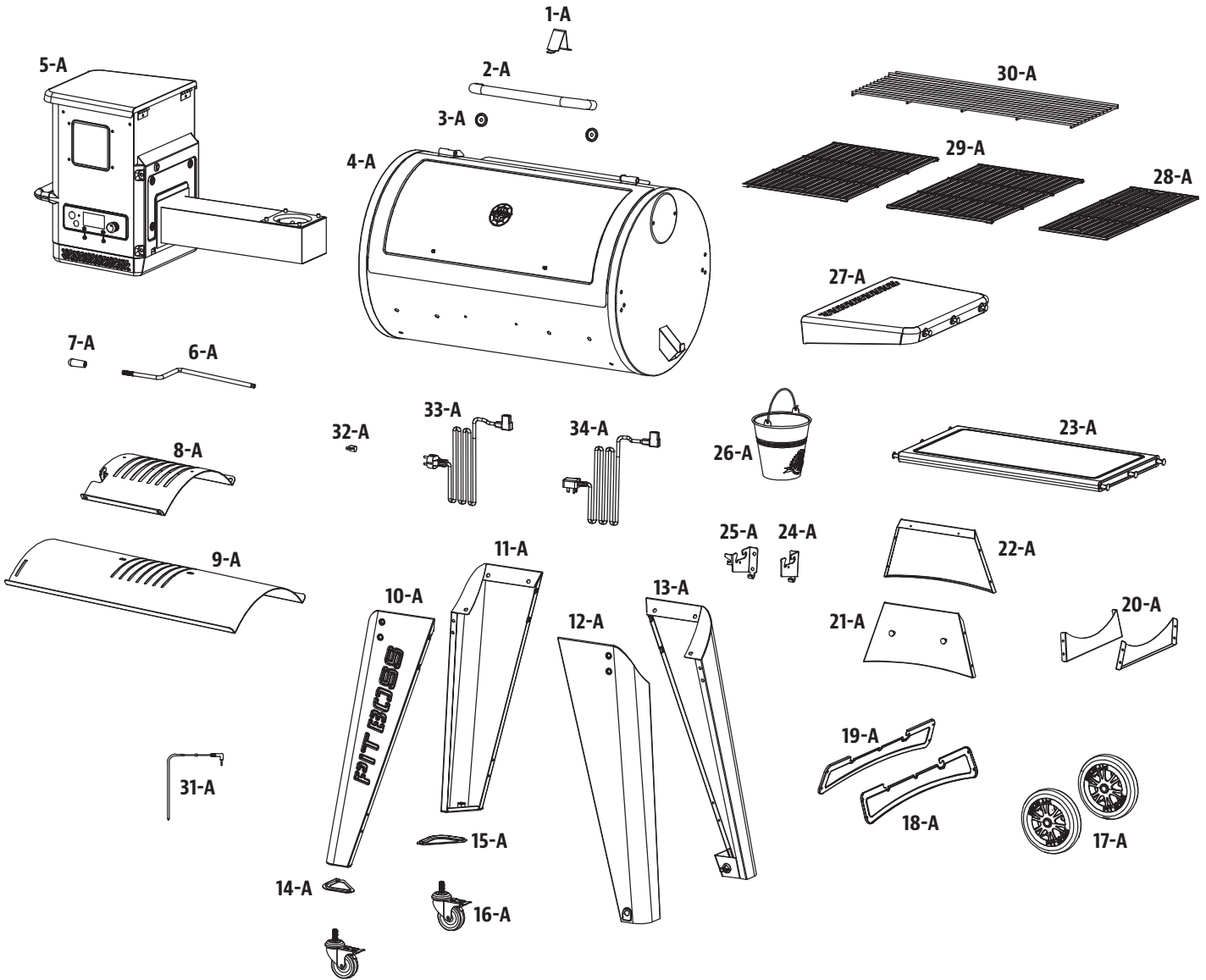
Delnr.	Beskrivelse
22-A	Lang støtteplade bagerst (x1)
23-A	Forreste hylde (x1)
24-A	Beslag til forreste hylde (højre) (x1)
25-A	Beslag til forreste hylde (venstre) (x1)
26-A	Fedtspand (x1)
27-A	Højre sidebord (x1)
28-A	Stegerist A (x1)
29-A	Stegerist B (x2)
30-A	Opvarmningsstativ (x1)
31-A	Stegetermometer (x1)
32-A	Strømkabelklemme (x1)
33-A	Strømkabel - F-stik (x1)
34-A	Strømkabel - G-stik (x1)
A	Skruer (x18)
B	Spændeskive (x18)
C	Fjederskive (x18)
D	Skruer (x30)
E	Skruer (x4)
F	Hjulakselstift (x2)
G	Hjulsplitt (x2)
H	Hjulspændeskive (x2)

BEMÆRK: På grund af løbende produktudvikling kan dele være ændret uden varsel.

Illustreret skema på næste side.

MODEL	MONTERET ENHED (B x H x D)	ENHEDS VÆGT	STEGEOMRÅDE	TEMP. INTERVAL	DIGITALE FUNKTIONER
PB PB850G	1472mm x 1195mm x 940mm / 57,9" x 47" x 37"	74,5kg / 164,24 lb	Hoveddel - 3825,8 cm <sup>2</sup> / 593 sq. in. Overdel - 1845,2 cm <sup>2</sup> / 286 sq. in. <b>/ ALT - 5671 cm<sup>2</sup> / 879 sq. in.</b>	82-260°C / 180-500°F	Ti forudindstillede temperaturer, opstartscyklus, elektrisk tænder

# PB850G RESERVEDELE TIL GRILLEN



DK  
DANSK

## PB1150G RESERVEDELE TIL GRILLEN

Delnr.	Beskrivelse
1-A	Lågstop (x1)
2-A	Låghåndtag (x1)
3-A	Låghåndtagsring (x2)
4-A	Hovedtønde (x1)
5-A	Magasinenhed (x1)
6-A	Justeringsstang til grillålg (x1)
7-A	Håndtag til justeringsstang til grillålg (x1)
8-A	Skyderplade i grillålg (x1)
9-A	Hovedplade i grillålg (x1)
10-A	Forreste venstre ben (x1)
11-A	Bagerste venstre ben (x1)
12-A	Forreste højre ben (x1)
13-A	Bagerste højre ben (x1)
14-A	Fod til forreste venstre ben (x1)
15-A	Fod til bagerste venstre ben (x1)
16-A	Drejehjul med bremse (x2)
17-A	Hjul (x2)
18-A	Nederste højre støtteplade (x1)
19-A	Nederste venstre støtteplade (x1)
20-A	Kort støtteplade (x2)
21-A	Lang støtteplade forrest (x1)
22-A	Lang støtteplade bagerst (x1)

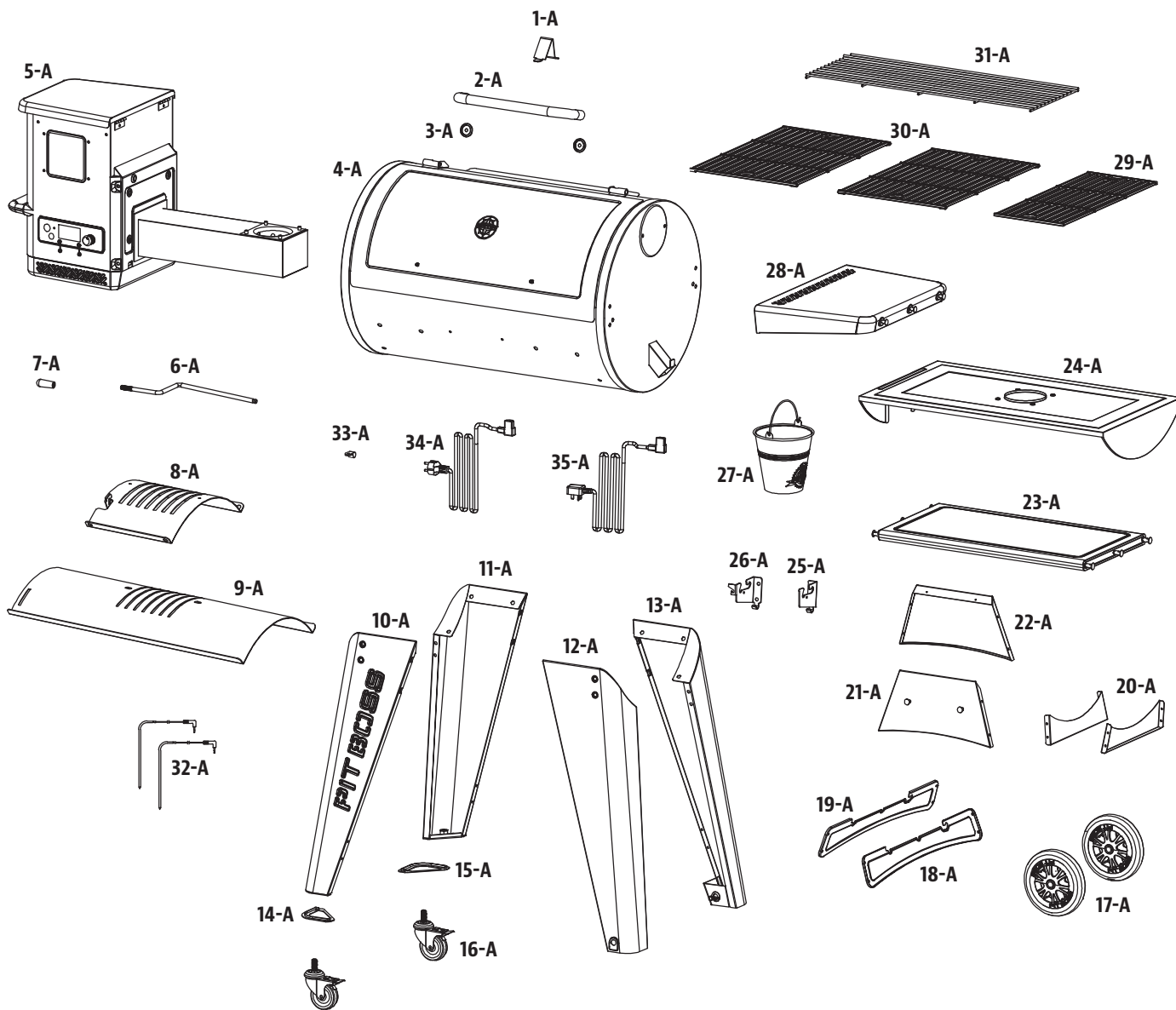
Delnr.	Beskrivelse
23-A	Forreste hylde (x1)
24-A	Beskyttelsesplade (X1)
25-A	Beslag til forreste hylde (højre) (x1)
26-A	Beslag til forreste hylde (venstre) (x1)
27-A	Fedtspand (x1)
28-A	Højre sidebord (x1)
29-A	Stegerist A (x1)
30-A	Stegerist B (x2)
31-A	Opvarmningsstativ (x1)
32-A	Stegetermometer (x2)
33-A	Strømkabelklemme (x1)
34-A	Strømkabel - F-stik (x1)
35-A	Strømkabel - G-stik (x1)
A	Skruer (x18)
B	Spændeskive (x18)
C	Fjederskive (x18)
D	Skruer (x30)
E	Skruer (x6)
F	Hjulakselstift (x2)
G	Hjulsplitt (x2)
H	Hjulspændeskive (x2)

BEMÆRK: På grund af løbende produktudvikling kan dele være ændret uden varsel.

Illustreret skema på næste side.

MODEL	MONTERET ENHED (B x H x D)	ENHEDS VÆGT	STEGEOMRÅDE	TEMP. INTERVAL	DIGITALE FUNKTIONER
PB PB1150G	1.622mm x 1.195mm x 940mm / 63,86" x 47" x 37"	84 kg / 185,19 lb	Hoveddel - 4587,1 cm <sup>2</sup> / 711 sq. in. Overdel - 2883,9 cm <sup>2</sup> / 447 sq. in. <b>I ALT - 7471 cm<sup>2</sup> / 1158 sq. in.</b>	82-260°C / 180-500°F	Ti forudindstillede temperaturer, opstartscyklus, elektrisk tænder

# PB1150G RESERVEDELE TIL GRILLEN



DK  
DANSK

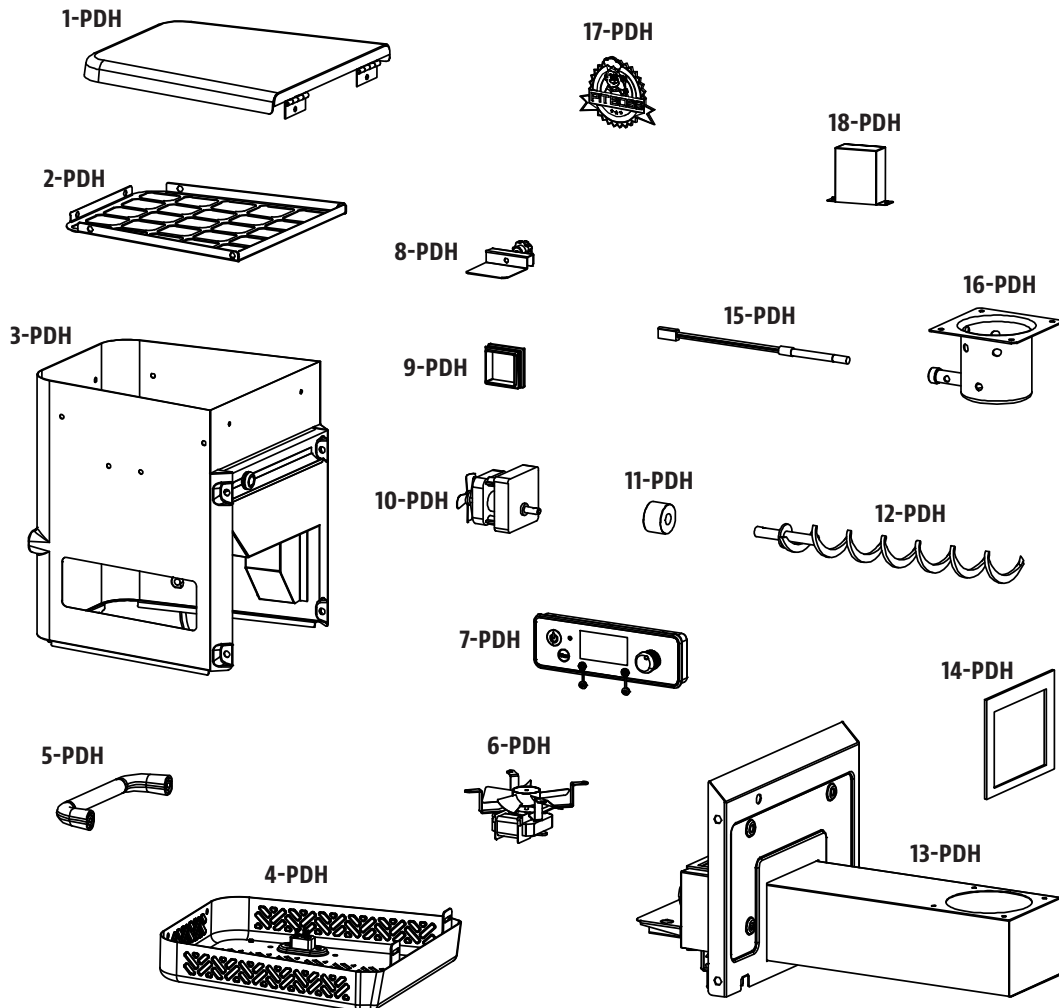


# PB550G RESERVEDELE TIL MAGASINET

Delnr.	Beskrivelse
1-PDH	Lågstop (x1)
2-PDH	Sikkerhedsskærm til magasin (x1)
3-PDH	Magasinkasse (x1)
4-PDH	Magasins adgangspanel (x1)
5-PDH	Magasinhåndtag (x1)
6-PDH	Forbrændingsblæser (x1)
7-PDH	Pit Boss® kontrolpanel (x1)
8-PDH	Plade på udkasterrør (x1)
9-PDH	Dæksel på udkasterrør (x1)

Delnr.	Beskrivelse
10-PDH	Snegls motor (x1)
11-PDH	Nylonbøsning (x1)
12-PDH	Sneglfremføringsenhed (x1)
13-PDH	Sneglkasse (x1)
14-PDH	Magasinkassepakring (x1)
15-PDH	Tænder (x1)
16-PDH	Brændkar (x1)
17-PDH	Navneplade (x1)
18-PDH	Vandtæt afdækning til strømledning (x1)

BEMÆRK: På grund af løbende produktudvikling kan dele være ændret uden varsel.

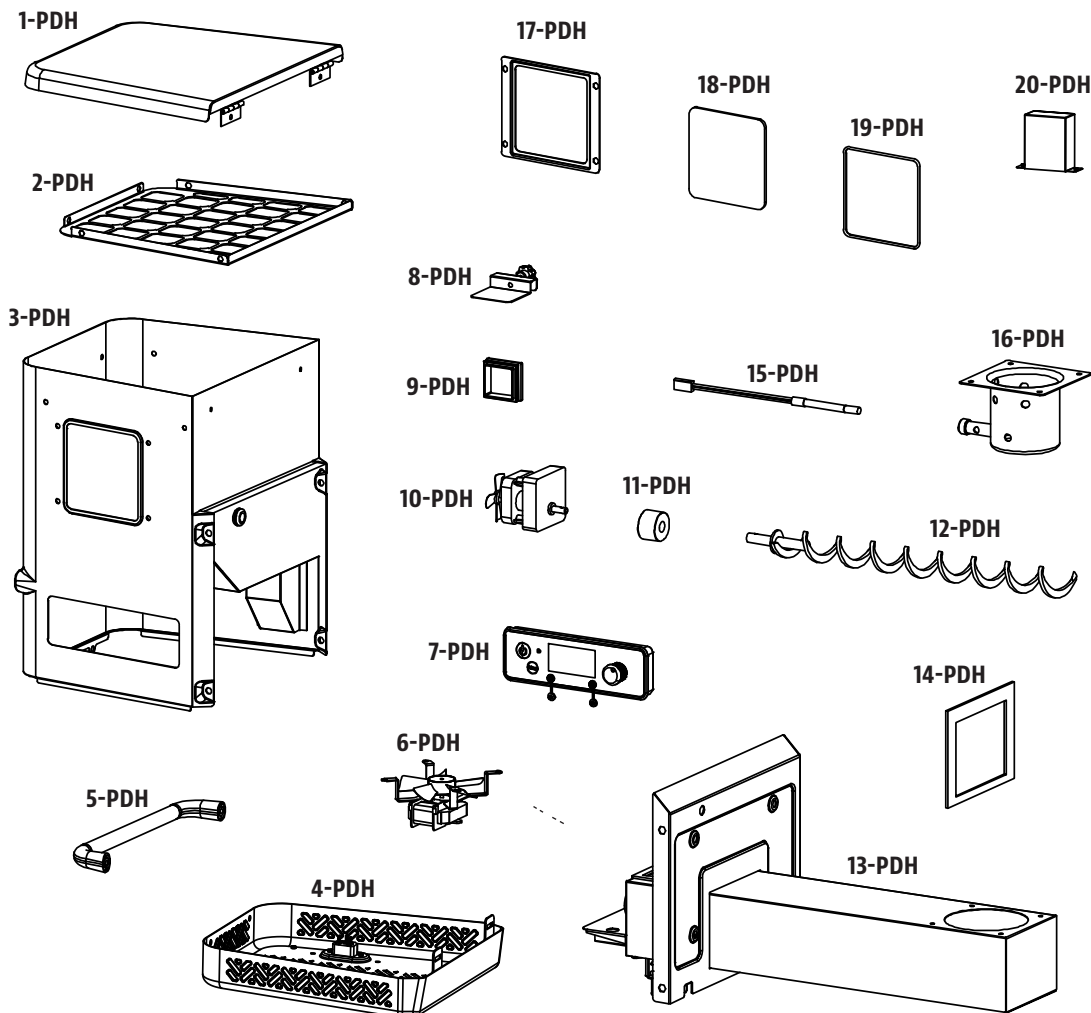


# PB700G / PB850G / PB1150G RESERVEDELE TIL MAGASINET

Delnr.	Beskrivelse
1-PDH	Lågstop (x1)
2-PDH	Sikkerhedsskærm til magasin (x1)
3-PDH	Magasinkasse (x1)
4-PDH	Magasins adgangspanel (x1)
5-PDH	Magasinhåndtag (x1)
6-PDH	Forbrændingsblæser (x1)
7-PDH	Pit Boss® kontrolpanel (x1)
8-PDH	Plade på udkasterrør (x1)
9-PDH	Dæksel på udkasterrør (x1)
10-PDH	Snegls motor (x1)

Delnr.	Beskrivelse
11-PDH	Nylonbøsning (x1)
12-PDH	Sneglfremføringsenhed (x1)
13-PDH	Sneglkasse (x1)
14-PDH	Magasinkassepakring (x1)
15-PDH	Tænder (x1)
16-PDH	Brændkar (x1)
17-PDH	Glasplade (x1)
18-PDH	Glas (x1)
19-PDH	Gummipakning (x1)
20-PDH	Vandtæt afdækning til strømkabel (x1)

BEMÆRK: På grund af løbende produktudvikling kan dele være ændret uden varsel.



DK

DANSK

# GARANTI

## BETINGELSER

Alle træpillegrillenheder fra Pit Boss®, som er fremstillet af Dansons Inc., er omfattet af en begrænset garanti fra salgsdatoen for den oprindelige ejer. Garantidækningen begynder på den oprindelige købsdato, og der kræves dokumentation for købsdatoen eller en kopi af den oprindelige kvittering for at garantien kan håndhæves. Kunden vil blive pålagt eventuelle udgifter til reservedele, fragt og håndtering, hvis der ikke kan fremvises købsdokumentation, og efter garantien er udløbet.

Dansons giver fem (5) års garanti mod defekter og fejl i forarbejdningen på alle dele, og fem (5) års garanti på de elektriske komponenter. Dansons garanterer, at alle dele er fri for defekter i materiale og forarbejdning, så længe den oprindelige køber bruger og ejer enheden. Garantien dækker ikke skader som følge af almindelig slitage som f.eks. ridser, buler, hak, skår eller mindre kosmetiske revner. Disse æstetiske forandringer på grille påvirker ikke dens ydeevne. Dækning af reparation eller udskiftning af enhver del løber ikke ud over den begrænsede garantiperiode på fem (5) år fra købsdatoen.

I garantiperioden er Dansons' ansvar begrænset til at sikre en udskiftning af defekte og/eller ikke-fungerende komponenter. I garantiperioden vil Dansons ikke kræve betaling for reparation eller udskiftning af dele, der returneres. Fragten er forudbetalt, hvis Dansons finder, at delen(e) er defekt(e) efter undersøgelsen. Dansons kan ikke påtage sig betalingen af gebyrer for transport, omkostninger til arbejdskraft eller eksportforpligtelser. Sådan som det er angivet ovenfor, udgår ovennævnte betingelser for garanti, reparation eller udskiftning af dele på den måde og i den periode, der er nævnt ovenfor, Dansons opfyldelse af alle direkte og afledte ansvar og forpligtelser over for dig.

Dansons tager alle forholdsregler for at benytte materialer, der modvirker rustdannelse. Selv med disse foranstaltninger kan disse beskyttelseslag blive ødelagt af forskellige stoffer og forhold uden for Dansons kontrol. Høje temperaturer, overdreven luftfugtighed, klor, industrielle dampe, gødning, sprøjtemidler til græsplæner og salg er nogle af de stoffer, som kan påvirke metallets beskyttelseslag. Af denne grund dækker garantien ikke rust eller oxidering, medmindre dette skyldes konstruktionsfejl i grillens komponenter. Hvis et af ovennævnte tilfælde opstår, skal du se afsnittet om pleje og vedligeholdelse for at forlænge enhedens levetid. Dansons anbefaler at anvende grillovertrækket, når grillen ikke er i brug.

Denne garanti er baseret på almindelig brug og vedligeholdelse i husholdningen, og garantiens dækning gælder ikke, hvis grillen anvendes til kommercielle formål.

## UNDTAGELSER

Der findes ingen skriftlig eller indforstået garanti for Pit Boss®-grillenheders ydeevne, da producenten ingen kontrol har med installationen, betjeningen, rengøringen, vedligeholdelsen og den anvendte type brændsel. Denne garanti gælder ikke og Dansons påtager sig intet ansvar, hvis enheden ikke bliver installeret, betjent, rengjort og vedligeholdt i direkte overensstemmelse med denne brugervejledning. Enhver brug af gas, som ikke er anvist i denne vejledning, kan ophæve garantien. Garantien dækker ikke skader eller fejlfunktion som følge af misbrug, forkert håndtering eller ændringer af enheden.

Hverken Dansons eller den autoriserede Pit Boss®-forhandler påtager sig noget ansvar, juridisk baseret eller på anden vis, for hændelige skader eller følgeskader på ejendom eller person som følge af brugen af dette produkt. Hvis der rejses et erstatningskrav mod Dansons, som er baseret på brud på denne garanti eller nogen anden form for udtrykkelig eller indforstået garanti ifølge lovgivningen, vil producenten under ingen omstændigheder være ansvarlig for nogen særlige, indirekte skader, følgeskader eller nogen anden form for skader, der rækker ud over det oprindelige køb af dette produkt. Alle garantier fra producenten er anført her, og der kan ikke rejses krav mod producenten baseret på nogen anden garanti eller fremstilling.

Nogle lande eller stater tillader ikke udelukkelse eller begrænsning af hændelige skader eller følgeskader, eller begrænsning af indforståede garantier, så de begrænsninger eller udelukker, der er anført i denne begrænsede garanti, gælder muligvis ikke for dig. Denne begrænsede garanti giver dig specifikke juridiske rettigheder, og du kan have andre rettigheder, som varierer fra land til land.



## BESTILLING AF RESERVEDELE

Hvis du vil bestille reservedele, skal du kontakte din lokale Pit Boss®-forhandler eller besøge vores onlinebutik på: [www.pitboss-grills.com](http://www.pitboss-grills.com)

## KONTAKT KUNDESERVICE

Hvis du har spørgsmål eller problemer, kan du kontakte kundeservice mandag til søndag, 04:00-20:00 PST (EN/FR/ES).

**service@pitboss-grills.com | Gratis tlf.: 1-877-303-3134 | Gratis fax: 1-877-303-3135**

## SERVICE PÅ GARANTIEN

Kontakt din nærmeste Pit Boss®-forhandler angående reparationer eller reservedele. Dansons Inc. kræver fremvisning af købsdokumentation for at udføre service på garantien. Derfor skal du gemme din oprindelige salgskvittering eller faktura til eventuel senere brug. Serie- og modelnummeret på din Pit Boss®-gril findes på bagsiden af magasinet. Registrer numrene nedenfor, da mærkatet kan blive slidt eller ulæseligt.

---

MODEL

---

SERIENUMMER

---

KØBSDATO

---

AUTORISERET FORHANDLER

DK

DANSK

# TURVALLISUUSTIEDOT

## **YLEISIMPIÄ LAITETULIPALOJEN AIHEUTTAJIA OVAT PUUTTEELLINEN YLLÄPITO SEKÄ LIIAN PIENET SUOJAETÄISYYDET PALAVIIN MATERIAALEIHIN. ON OLENAISEN TÄRKEÄÄ, ETTÄ TÄTÄ TUOTETTA KÄYTETÄÄN VAIN SEURAAVIEN OHJEIDEN MUKAISESTI.**

Lue ja sisäistä tämä koko ohjekirja ennen kuin yrität koota, käyttää tai asentaa tätä tuotetta. Näin varmistat, että uuden puupellettigrillisi käyttö on mahdollisimman miellyttävää ja ongelmaton. Suosittelemme myös, että säilytät tämän ohjekirjan tulevaisuutta varten.

### VAARAT JA VAROITUKSET

**Sinun on otettava yhteyttä omaan asunto-osakeyhtiösi, rakennus- tai paloviranomaisiin tai muuhun soveltuvaan viranomaiseen tarpeellisten lupien hankkimista varten sekä saadaksesi tietoa asennusta koskevista rajoituksista, kuten grillin asennus palavalle alustalle, tarkastusvaatimukset tai jopa mahdollisuus käyttää tuotetta alueellasi.**

1. Grillin sivuilla on aina oltava 914 mm:n (36 tuumaa) vähimmäisetäisyys palaviin rakenteisiin ja 914 mm:n (36 tuumaa) vähimmäisetäisyys grillin takana. **Älä asenna laitetta palavalle lattialle tai lattialle, joka on suojattu palavilla pinnoilla, ellei asianmukaisia lupia ole saatu toimivaltaisilta viranomaisilta.** Älä käytä tätä laitetta sisätiloissa tai suljetussa, tuulettamattomassa tilassa. Tätä puupellettilaitetta ei saa asettaa yläpuolella olevan palavan katon tai ulokkeen alle. Säilytä grillisi alueella, jolla ei ole palavia materiaaleja, bensiiniä tai muita syttyviä höyryjä tai nesteitä.

**Rasvapolon sattuessa käännä grillin säädin OFF-asentoon ja pidä kansi suljettuna, kunnes palo on sammunut. Irrota virtajohto pistorasiasta. Älä heitä vettä laitteen päälle. Älä yritä tukahduttaa tulta. Kaikkiin luokkiin (luokat ABC) hyväksytyt palosammutin on hyvä olla paikan päällä saatavilla. Hallitsemattoman palon tilanteessa soita palokunnalle.**

2. Pidä sähköjohdot ja polttoaineet etäällä kuumista pinnoista. Älä käytä grilliä sateessa tai vesilähteen lähellä.
3. Kun laite on ollut varastoituna tai käyttämättömänä, tarkista, että arinassa ei ole tukkeumia, pellettisäiliössä vierasesineitä, eikä ilman kulku tuulettimeen, savupiippuun tai takaosan poistoilmareikiin ole estynyt. Puhdista ennen käyttöä. Säännöllisillä huolto- ja ylläpitotoimilla yksikön käyttöikä pitenee. **Jos grilliä säilytetään ulkona sateisen kauden aikana tai erittäin kosteissa olosuhteissa, on huolehdittava siitä, ettei pellettisäiliöön pääse vettä.** Kastuessaan tai altistuessaan erittäin kosteille olosuhteille puupelletit laajenevat merkittävästi, lahoavat ja saattavat tukkia syöttöjärjestelmän. Irrota aina laite virtalähteestä ennen huolto- tai ylläpito-toimenpiteiden suorittamista.

**Älä siirrä grilliä sen ollessa käytössä tai kuuma. Varmista, että tuli on täysin sammunut ja grilli on koskettaessa viileä ennen sen siirtämistä.**

4. Suosittelemme lämmönkestävien grillikintaiden tai pannulappujen käyttöä grilliä käytettäessä. Älä käytä lisävarusteita, joita ei ole määritetty tämän laitteen kanssa käytettäväksi. Älä aseta grillisuojusta tai mitään palavaa grillin alle sen ollessa varastoituna.
5. Jotta sormet, vaatteet tai muut esineet eivät joudu kosketuksiin pellettien syöttöjärjestelmän kanssa, laitteessa on metallinen turvaverkko, joka on kiinnitetty pellettisäiliön sisäosaan. Tätä suojusta ei saa poistaa, ellei asiakaspalvelu tai valtuutettu jälleenmyyjä ohjeista tekemään niin.

**Tätä laitetta ei suositella lapsille tai henkilöille, joilla on heikentyneet fyysiset, sensoriset tai henkiset voimavarat tai joilta puuttuu tarvittava kokemus tai tieto, elleivät he ole heidän turvallisuudestaan vastuussa olevan henkilön suoran valvonnan tai ohjeistuksen alaisena.**

6. Grillin osat saattavat olla erittäin kuumia, mistä voi aiheutua vakavia vammoja. Pidä nuoret lapset ja lemmikit loitolla grillin käytön aikana.
7. Älä suurena sytyttimen reikiä tai paloastioita. Tämän varoituksen noudattamatta jättäminen voi johtaa palovaaraan ja ruumiinvammojen syntymiseen, ja mitätöi takuun.

8. Tuotteessa saattaa olla teräviä reunoja tai ulokkeita. Kosketus näihin voi johtaa vammoihin. Käsittele niitä varoen.

## TUHKAN HÄVITTÄMINEN

Tuhkat tulee asettaa metalliastiaan, jossa on tiivis kansi. Suljettu tuhka-astia tulee asettaa palamattomalle lattialle tai maahan turvallisen etäisyyden päähän palavista materiaaleista odottamaan lopullista hävittämistä. Jos tuhkat hävitetään hautaamalla ne maahan tai jos ne levitetään muutoin paikallisesti, ne tulee säilyttää suljetussa astiassa, kunnes kaikki kekäleet ovat täysin jäähtyneet.

## PUUPELLETTIPOLTOAINE

Tämä pelleteillä toimiva ruuanvalmistuslaite on suunniteltu ja hyväksytty käytettäväksi vain pellettipohjaisella, luonnollisella puupolttoaineella. Minkä tahansa muun tyyppisen polttoaineen käyttö tässä laitteessa mitätöi takuun ja turvallisuuslistauksen. Laitteessa voidaan käyttää vain luonnollisia puupellettejä, jotka on suunniteltu poltettaviksi grilleissä. Älä käytä polttoaineen yhteydessä lisäaineita. Puupelletit ovat erittäin alttiita kosteudelle, ja ne tulee aina säilyttää ilmatiiviissä astiassa. Jos varastoit grilliä käyttämättömänä pitkiä aikoja, suosittelemme, että poistat kaikki pelletit grillin pellettisäiliöstä ja syöttölaitteesta tukkiutumisen estämiseksi.

**Älä käytä spritää, bensiiniä, sytytinnestettä tai kerosiinia grillin tulen sytyttämiseen tai herättämiseen. Pidä kaikki tämänkaltaiset nesteet turvallisen välimatkan päässä laitteesta, kun se on käytössä.**

Tämän ohjekirjan painoon menon aikaan grillien puupelleteille ei ole alan standardia, vaikka useimmat pellettien valmistajat käyttävät samaa standardia kotitalouskäyttöön tarkoitettujen pellettien valmistuksessa. Lisätietoja löytyy osoitteesta [www.pelletheat.org](http://www.pelletheat.org) tai *Pellet Fuels Institute -organisaatiosta*.

Tietoa pellettien laadusta alueellasi sekä eri merkkien laadusta saat paikalliselta jälleenmyyjältäsi. Koska käytettyjen pellettien laatua koskevaa valvontaa ei ole, emme ota mitään vastuuta huonolaatuisen polttoaineen mahdollisesti aiheuttamista vaurioista.

## KREOSOOTTI

Kreosootti eli noki on tervan kaltainen aine. Se tuottaa palaessaan mustaa savua sekä jäännöksiä, jotka ovat myös mustia väriltään. Nokea tai kreosoottia muodostuu, kun laitetta käytetään väärällä tavalla. Esimerkkejä tästä ovat seuraavat: tukos palotuulettimessa, paloalueen puutteellinen puhdistus ja ylläpito, kosteudesta kärsineet pelletit, tai heikko ilma-polttoaine palamisuhde.

On vaarallista käyttää tätä laitetta, jos liekki muuttuu tummaksi tai nokiseksi, tai jos paloastiassa on liikaa pellettejä. Syttyessään kreosootti synnyttää erittäin kuumaa ja hallitsemattoman tulen, joka on samankaltainen kuin rasvatuli. Jos näin tapahtuu, aseta laite OFF-asentoon, anna sen jäähtyä täysin ja tutki sen jälkeen huolto- ja puhdistustarve. Kreosoottia usein kertyy poistoilman alueille.

Jos kreosoottia on muodostunut yksikön sisälle, lämmitä laite alhaiseen lämpötilaan, sammuta se ja pyyhi sitten muodostumat pois käsi-  
pyyhkeellä. Kuten terva, se on helpompi puhdistaa lämpimänä, koska se muuttuu nesteeksi.

## HIILIMONOKSIDI ("HILJAINEN TAPPAJA")

Hiilimonoksidi eli häkä on väritön, hajuton ja mauton kaasu, jota muodostuu kaasua, puuta, propaania, hiiltä tai muuta polttoainetta poltettaessa. Hiilimonoksidi heikentää veren hapenkuljetuskykyä. Alhainen veren happipitoisuus voi johtaa päänsärkyyn, huimaukseen, heikotukseen, pahoinvointiin, oksentamiseen, uneliaisuuteen, sekavuuteen, tajunnan menetykseen tai kuolemaan. Näitä ohjeita seuraamalla voit estää tätä väritöntä, hajutonta kaasua myrkyttämästä sinua, perhettäsi tai muita:

- Käy lääkärissä, jos sinulle tai muille tulee nuhan tai flunssan kaltaisia oireita ruokaa valmistettaessa tai laitteen läheisyydessä oleskellessä. Häkämyrkytys, joka helposti sekoitetaan nuhaan tai flunssaan, havaitaan usein liian myöhään.
- Alkoholin ja huumeiden käyttö lisää häkämyrkytyksen vaikutuksia.

Hiilimonoksidi on erityisen myrkyllistä äidille ja lapselle raskauden aikana, pienille lapsille, vanhuksille, tupakoitsijoille, ja henkilöille, joilla on vereen tai verenkiertojärjestelmään liittyviä ongelmia, kuten anemia tai sydänvika.

## TURVALLISUUSLISTAUS

Noudattaa asetuksia EN 60335-2-102:2016, EN 60335-1:2012 + A11:2014 + A13:2017 + A1: 2021 + A14: 2021 + A2: 2021, EN62233: 2008, EN 55014-1:2017, EN 61000-3-2:2014, EN 61000-3-3:2013, EN 55014-2:2015.



# SISÄLLYSLUETTELO

Turvallisuustiedot .....	162	Vaihto-osat	
Käyttöohjeet		PB550G-grillin vaihto-osat .....	176
Grillausympäristö .....	165	PB700G-grillin vaihto-osat .....	178
Grillin lämpötila-alueet.....	166	PB850G-grillin vaihto-osat .....	180
Tietoa ohjauspaneelista.....	167	PB1150G -grillin vaihto-osat .....	182
Tietoa mittareista .....	168	PB550G-pellettisäiliön vaihto-osat.....	184
Tietoa P-asetuksesta .....	168	PB700G / PB850G / PB1150G-pellettisäiliön vaihto-osat.....	185
Pellettisäiliön alkusytytysmenetelmä.....	168	Takuu	
Ensimmäinen käyttö – grillin alkupoltto.....	169	Ehdot.....	186
Automaattinen käynnistystoiminto .....	169	Poikkeukset .....	186
Manuaalinen käynnistystoiminto .....	169	Vaihto-osien tilaaminen .....	187
Grillin sammuttaminen.....	170	Ota yhteyttä asiakaspalveluun.....	187
Huolto ja ylläpito .....	170	Takuupalvelu .....	187
Vinkkejä ja tekniikoita .....	172		
Vianetsintä .....	173		
Sähköjohtokaavio .....	175		



## TEKIJÄNOIKEUKSIA KOSKEVA HUOMAUTUS

Copyright 2021. Kaikki oikeudet pidätetään. Tämän manuaalin mitään osaa ei saa kopioida, välittää eteenpäin, muuntaa tai tallentaa hakujärjestelmään missään muodossa tai millään tavoin ilman nimenomaista kirjallista lupaa, jonka on myöntänyt

### Dansons

3411 North 5th Avenue, Suite 500, Phoenix, AZ, USA 85013  
sales@pitboss-grills.com | service@pitboss-grills.com  
[www.pitboss-grills.com](http://www.pitboss-grills.com)

### Asiakaspalvelu

Maanantai - sunnuntai klo 04.00 - 20.00 PST (EN/FR/ES)

**Maksuton puhelinnumero Yhdysvaltain alueella: +1-877-303-3134,**

**Maksuton faksinumero Yhdysvaltain alueella: +1-877-303-3135**

# KÄYTTÖOHJEET

Nykyajan elämäntyyliin kuuluu pyrkimys syödä terveellistä ja ravitsevaa ruokaa. Yksi huomioon otettava tekijä on vähentää rasvaa ruokavaliossa. Parhaita tapoja vähentää rasvaa ruokavaliossa on käyttää vähärasvaisia ruuanvalmistustapoja, kuten grillausta. Koska pellettigrilli käyttää luonnollisia puupellettejä, lihat maustuvat maukkaalla puun aromilla, mikä vähentää sokeripitoisten kastikkeiden käytön tarvetta. Tulet huomaamaan, että kaikkialla tässä ohjekirjassa korostetaan ruuan grillaamista ALHAISELLA tai KESKITASON lämpötila-asetuksilla.

## GRILLAUSYMPÄRISTÖ

### 1. GRILLIN SIJAINTI

Kaikkien ulkona käytettävien laitteiden kohdalla ulkoilmaolosuhteilla on suuri vaikutus grillin toimintaan ja täydellisten aterioiden valmistusaikaan.

Kaikkien Pit Boss® -yksiköiden ympärillä tulee olla vähintään 914 mm:n etäisyys palaviin rakenteisiin. Tämä turvaetäisyys on huomioitava aina grillin ollessa käytössä. Tätä laitetta ei saa asettaa yläpuolella olevan palavan katon tai ulokkeen alle. Säilytä grillisi alueella, jolla ei ole palavia materiaaleja, bensiiniä tai muita syttyviä höyryjä tai nesteitä.

### 2. RUUANVALMISTUS KYLMÄLLÄ ILMALLA

Sään viileessä ei tarvitse ajatella, että grillauskausi on ohi! Kuulaan viileä ilma ja savustettujen ruokien taivaallinen aromi parantaa talvisen alakulun.

Nämä ehdotukset auttavat nauttimaan grillistäsi viileämpien kuukausien aikana:

- Jos savustus alhaisella lämpötilalla epäonnistuu, lisää hieman lämpötilaa saman lopputuloksen saavuttamiseksi.
- Ole järjestelmällinen – kerää kaikki tarvitsemasi valmiiksi keittiössä ennen kuin suuntaat ulos. Siirrä grillisi talvella paikkaan, joka ei ole alttiina tuulelle ja suoralle pakkaselle. Tarkista paikalliset säännökset liittyen grillin etäisyyteen talosta ja/tai muista rakenteista. Kokoa kaikki tarvitsemasi tarjottimelle, pukeudu lämpimästi ja ala kokata!
- Pidä silmällä ulkoilman lämpötilaa asettamalla ulkolämpömittari lähelle ruuanvalmistuspaikkaasi. Pidä kirjaa siitä, mitä ruokia olet valmistanut, ulkoilman lämpötilasta ja ruuanvalmistusajasta. Tämä auttaa sinua myöhemmin päättämään, mitä valmistaa ja miten pitkään se kestää.
- Pidennä erittäin kylmällä säällä esilämmitysaikaa ainakin 20 minuutilla.
- Vältä kannen avaamista enempää kuin välttämätöntä. Kylmät tuulenpuuskat voivat viilentää grillin lämpötilan täysin. Ole joustava tarjoiluajaksi suhteen; lisää ylimääräistä valmistusaikaa aina, kun avaat kannen.
- Pidä lämmitettyä lautasta tai kannellista astiaa valmiina niin, että ruoka säilyy lämpimänä sisälle viennin aikana.
- Parhaiten talviseen ruuanvalmistukseen sopivat ruuat, jotka kaipaavat vain vähän huomiota, kuten paistit, kokonaiset broilerit, ribsit ja kalkkuna. Tee ruuanvalmistuksesta vielä helpompaa lisäämällä yksinkertaisia aineksia, kuten juureksia ja perunoita.

### 3. RUUANVALMISTUS KUUMALLA ILMALLA

Kun sää ulkona lämpenee, valmistusaika lyhenee.

Nämä ehdotukset auttavat nauttimaan grillistäsi kuumien kuukausien aikana:

- Säädä ruuanvalmistuslämpötiloja alemmiksi. Näin estät tahattomat tulen leimahdukset.
- Käytä lihalämpömittaria ruokien sisälämpötilan mittaamiseen. Näin estät ruokien ylikypsymisen ja kuivumisen.
- Myös kuumalla säällä on kuitenkin parempi valmistaa ruokaa niin, että grillin kansi on suljettuna.
- Voit pitää ruokia kuumana käärimällä ne folioon ja pitämällä niitä eristetyssä kylmälaukussa. Pakkaa rutistettua sanomalehtipaperia folion ympärille; näin ruoka säilyy kuumana 3 – 4 tunnin ajan.

## GRILLIN LÄMPÖTILA-ALUEET

Ohjauspaneelin lämpötilatiedot eivät välttämättä vastaa tarkoin lämpömittaria. Kaikki alla luetellut lämpötilat ovat arvioita, ja niihin vaikuttavat seuraavat tekijät: ulkopuolisen ympäristön lämpötila, tuulen voimakkuus ja suunta, käytetyn pellettipolttoaineen laatu, kannen avaaminen ja valmistetun ruuan määrä.

- **KORKEA LÄMPÖTILA (205-260°C)**

Tätä lämpötila-aluetta on paras käyttää ruskistamiseen ja grillaamiseen korkeassa lämpötilassa. Käytä yhdessä liekkiparilan (sivulevy) kanssa epäsuoraa tai suoraa liekitystä varten. Kun **liekkiparila on auki**, suoralla liekillä voidaan luoda "raakoja" pihvejä, liekitettyjä vihanneksia, valkosipulipaahtoleipää ja muita herkkuja! Kun **liekkiparila on suljettu**, ilma kiertää rummussa ja luo konvektiolämpöä. Korkeaa lämpötilaa käytetään myös grillin esilämmitykseen, ruuanvalmistusrilöiden polttamiseen ja korkean lämpötilan saavuttamiseen erittäin kylmissä olosuhteissa.

- **KESKITASON LÄMPÖTILA (135-180°C)**

Tämä lämpötila-alue on paras paistamiseen, paahtamiseen ja hitaasti savustetun luomuksen viimeistelyyn. Ruuanvalmistus näissä lämpötiloissa vähentää huomattavasti rasvan leimahtamisen mahdollisuutta. Varmista, että liekkiparilan säädin on suljettu-asennossa niin, että se peittää lovetut reiät. Tämä on mainio lämpötila-alue pekoniin käärittyjen ruokien valmistukseen, tai kun haluat säädön muunneltavuutta.

- **ALHAINEN LÄMPÖTILA (82-125°C)**

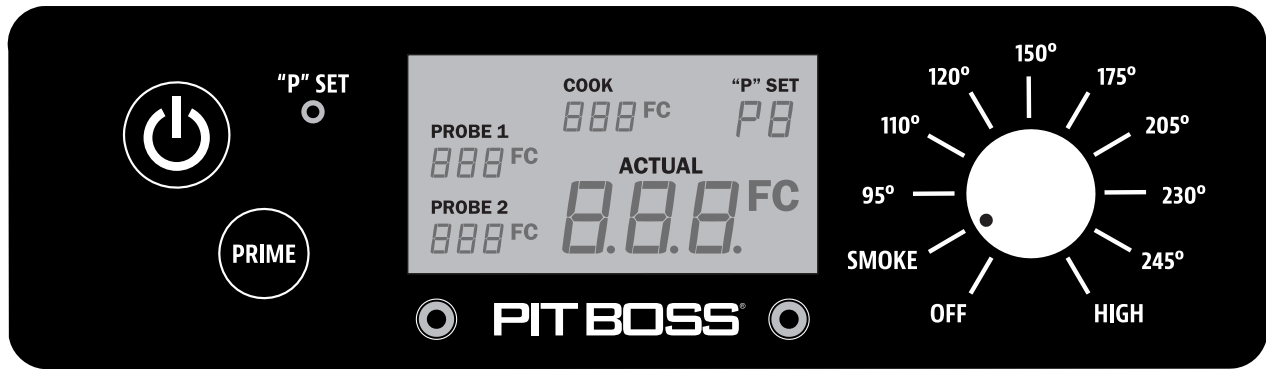
Tätä lämpötila-aluetta käytetään hitaaseen paistamiseen, savustetun maun lisäämiseen ja ruokien pitämiseen lämpimänä. Tuo lisää savun makua ja pidä liha mehukkaana paahtamalla sitä pidempään alhaisessa lämpötilassa. Tätä menetelmää suositellaan isolle kalkkunalle tai kinkulle jouluna tai isolle juhla-aterialle.

Savustus on aidon grillauksen osa-alue, ja se onkin puupellettigrillillä grillaamisen pääasiallinen etu. **Kuumasavustus**, toinen nimi **alhaisella lämpötilalla hitaasti** tapahtuvalle ruuanvalmistukselle, joka tehdään yleensä 82-125°C:n lämpötilassa. Kuumasavustus toimii parhaiten, kun tarvitaan pitkä valmistusaika, kuten isojen liha-, kala- tai siipikarjan lihan määrien ollessa kyseessä.

**VINKKI: Jos haluat lisätä ruuan maukkautta, vaihda SAVUSTUS- (alhaiseen) lämpötilaan heti, kun olet asettanut ruuan grilliin. Näin liha kyllästyy savun maulla.**

Olennaista on kokeilla savustukseen käytettyä aikaa ennen kuin liha on kypsynyt täysin. Jotkut ulkoilmakokit savustavat mieluiten ruuanvalmistuksen lopulla niin, että ruoka säilyy lämpimänä tarjoiluhetkeen asti. Harjoitus tekee mestarin!

## TIETOA OHJAUSPANEELISTA



HALLINTA	KUVAUS
	Paina <b>virtapainiketta</b> käynnistääksesi laite. Painike hehkuu sinisenä, jos se on liitetty virtalähteeseen. Sammuta laite painamalla painiketta uudelleen.
	<b>Lämmönsäätimen</b> avulla voit säätää halutun savustuslämpötilan. Kun laite on liitetty virtalähteeseen ja virtapainiketta on painettu, käännä säädintä ja valitse jokin kymmenestä esiasetetusta lämpötilasta, 82-260°C. Kun säädin käännetään esiasetetun lämpötilan kohdalle, digitaalinen LCD-näyttö syttyy. Laite on nyt käyttövalmis. Kun säädin käännetään kiinni-asentoon, digitaalinen LCD-näyttö on poissa päältä.
	<b>"P"-asetuspainiketta</b> käytetään tekemään valinta kahdeksan hienosäätövalinnan välillä, kun lämmönsäädin on asetettu savustusasetukselle. Muuta "P"-asetusta painamalla painiketta ruuanvalmistustyyliisi ja ruuanvalmistusympäristöön sopivaksi. Painikkeen <u>lyhyt painallus</u> kasvattaa asetuksen P0:sta P7:ään ja toistuu sen jälkeen. Muokkaus on mahdollista vain savustusasetuksen ollessa valittuna. Oletusasetus on "P4". Jos "P"-asetusta muutetaan, valintasi lukitaan (tallennetaan), kunnes tehdään uusi valinta. <b>"P" SET -painiketta</b> käytetään myös <b>lämpötilan muutosnäytin</b> ä, joka muuttaa LCD-näytöllä näkyvän lämpötilalukeman. Pidä painiketta painettuna kaksi sekuntia, jos haluat vaihtaa Celsiuksesta (°C) Fahrenheitiin (°F) tai päinvastoin. Oletusarvo on Celsiuksesta.
	<b>LCD-näyttö</b> toimii yksikkösi tietokeskuksena. LCD-näyttö näyttää halutun paistolämpötilan, todellisen paistolämpötilan ja lihalämpömittarien lämpötilat (jos liitettynä). Jos vain yksi lihalämpömittari on liitettynä, näytetään vain yksi lukema.
	Pidä <b>Prime-painiketta</b> painettuna, jos haluat lisätä pellettejä tulipesään. Tämän painikkeen avulla tuleen voidaan lisätä polttoainetta ennen rumpun kannen avaamista. Näin lämpö palautuu nopeasti. Sitä voidaan myös käyttää savustuksen aikana lisäämään puhtaan savun maukua. Kilpagrillaajien toive.
<b>SMOKE</b>	Hallintapaneelin <b>Smoke-asetus</b> on yksikön käynnistystila. Grilli toimii alhaisimmalla lämpötilallaan ilman, että tuli sammuu.
	Liitännät ohjauspaneelissa ovat <b>lihalämpömittareita</b> varten. Kun lihalämpömittari on liitetty, lämpötila näkyy LCD-näytöllä. Irrota lihalämpömittari liitännästä, kun se ei ole käytössä. <i>Yhteensopiva vain Pit Boss® -lihalämpömittarien kanssa. Lihälämpömittareita myydään myös erikseen.</i>

## TIETOA MITTAREISTA

### • LÄMPÖTILA-ANTURI

Päärummun sisällä vasemmalla seinällä on lämpötila-anturi. Se on pieni, pystysuora ruostumattomasta teräksestä valmistettu anturi. Lämpötila-anturi mittaa yksikön sisäistä lämpötilaa. Kun lämpötilaa säädetään ohjauspaneelista, lämpötila-anturi lukee todellisen lämpötilan yksikön sisällä ja säätää sen haluttuun lämpötilaan.

**TÄRKEÄÄ:** Laitteen lämpötilaan vaikuttaa suuresti ympäröivän ulkoilman sää, käytettyjen pellettien laatu, pellettien maku, ja valmistettavan ruuan määrä.

### • LIHALÄMPÖMITTARI

Lihalämpömittari mittaa grillissä valmistettavan lihan lämpötilaa samalla tavoin kuin keittiön uuni. Liitä lihalämpömittarin anturi lihalämpötilan liitäntään ohjauspaneelissa ja aseta ruostumattomasta teräksestä valmistettu lihalämpömittari lihan paksuimpaan kohtaan. Lämpötila näytetään ohjauspaneelissa. **Varmista, että lihalämpömittari on kunnolla liitetty liitäntään, kokeilemalla, että kuulet sen napsahtavan paikalleen.**

**HUOMAUTUS:** Kun asetat lihalämpömittarin lihaan, varmista, että lihalämpömittari ja sen johdot eivät ole suorassa kosketuksessa liekkiin tai kovaan kuumuuteen. Tämä voi vahingoittaa lihalämpömittaria. Tuo ylimääräinen johto grillin pääosan takana ylhäällä (lähellä grillin kannen saranaa) olevien poistoreikien läpi. Irrota lihalämpömittari liittännästä, kun se ei ole käytössä, ja siirrä se syrjään niin, että se pysyy suojassa ja puhtaana.

## TIETOA "P"-ASETUKSESTA

Kun upotettua "P" SET -painiketta painetaan, LCD-näytöllä näkyvä "P" -asetus välkkyä ja muuttuu seuraavaksi asetukseksi (ylöspäin). P7-asetuksen jälkeen se aloittaa uudelleen asetuksesta P0. "P"-asetuksia on kahdeksan, P0 – P7. Upotettua "P" SET -painiketta voidaan painaa ohutkärkisellä esineellä.

**TÄRKEÄÄ:** Älä paina "P" SET -painiketta liian kovaa, koska siitä saattaa aiheutua vahinkoa. Vain kevyt painallus on tarpeen.

### • "P"-ASETUKSEN KÄYTTÖ SAVUSTUSTILASSA

Aina, kun lämpötilasäädin on asetettu arvolle SMOKE, kuten käynnistysprosessin aikana, kaira toimii manuaalisemmassa ruuanvalmistustilassa verrattuna esiasetettujen lämpötilojen käyttöön. Ensin kaira kääntää ja syöttää pellettejä jatkuvasti neljän minuutin ajan. Neljän minuutin jälkeen kaira alkaa suorittaa syöttövaihetta, joka perustuu digitaalisessa ohjauspaneelissa valittuun "P"-asetukseen. Oletusasetus on P4.

KAIRAVAIHE (sekunteja)		
"P" SET	PÄÄLLÄ	POIS PÄÄLTÄ
P0	18	55
P1	18	70
P2	18	85
P3	18	100
*P4	<b>18</b>	<b>115</b>
P5	18	130
P6	18	140
P7	18	150

\* Tehtaan oletusasetus

## PELETTISÄILIÖN ALKUSYTYTYSMENETELMÄ

Näitä ohjeita tulee noudattaa ensimmäisellä grillin sytytyskerralla ja aina, kun pelletit ovat loppuneet grillin pellettisäiliöstä. Kaira on valmisteltava niin, että pelletit voivat kulkea kairan koko pituudelta ja täyttää tulipesän. **Jos valmistelua ei suoriteta, sytytin aikakatkaistaan ennen, kuin pelletit sytyvät eikä tulta synny.** Valmistelee pellettisäiliö seuraavien ohjeiden avulla:

1. Avaa pellettisäiliön kansi. Varmista, että pellettisäiliössä, tai kairasyöttöjärjestelmän pohjalla tukkimassa sitä, ei ole sinne kuulumattomia esineitä.
2. Poista kaikki ruuanvalmistusosat grillin sisältä. Paikanna tulipesä päärummun pohjalla.
3. Liitä virtajohto virtalähteeseen. Käynnistä yksikkö painamalla **virtapainiketta** ja, käännä **lämmönsäädin** asentoon SMOKE. Tarkista seuraavat asiat:
  - Että kuulet kairan kääntyvän. Vie kätesi tulipesän yläpuolelle ja tunnustele, tunnetko ilman liikkuvan. Älä vie käsiäsi tai sormiasi tulipesän sisään. Tämä voi aiheuttaa vamman.
  - Noin minuutin kuluttua sinun pitäisi haistaa sytyttimen palavan ja alkaa tuntea, että ilma tulipesässä lämpenee. Sytyttimen kärki ei hehku punaisena, mutta se kuumenee erittäin kuumaksi ja polttaa kosketettaessa. Älä koske sytytintä.
4. Kun olet varmistanut, että kaikki sähköiset komponentit toimivat oikein, sammuta laite painalla **virtapainiketta**.



5. Täytä pellettisäiliö luonnollisilla, grillaukseen tarkoitetuilla puupelleteillä.
6. Paina **virtapainiketta** käynnistääksesi laite. Pidä **lämmönsäädin** SMOKE-asennossa. Pidä **Prime-painiketta** painettuna, kunnes näet, että pellettejä tulee grillin sisään kairaputkesta. Kun pellettejä alkaa pudota tulipesään, vapauta **Prime-painike**.
7. Sammuta laite painamalla **virtapainiketta**.
8. Aseta ruuanvalmistusosat takaisin päärumpuun. Grilli on nyt käyttövalmis. (Tarkista ruuanvalmistusosien oikea asennustapa kohdasta *Kokoamisohjeet*.)

## ENSIMMÄINEN KÄYTTÖ – GRILLIN ALKUPOLTTO

Kun pellettisäiliö on valmisteltu ja ennen ensimmäistä grillauskertaa, on tärkeää suorittaa grillin alkupoltto. Käynnistä grilli ja käytä sitä missä tahansa yli 176°C:n lämpötilassa (kansi suljettuna) 30 – 40 minuutin ajan grillin alkupolttoa ja vierasaineiden poistoa varten.

## AUTOMAATTINEN KÄYNNISTYSTOIMINTO

1. Liitä virtajohto maadoitettuun virtalähteeseen. Avaa päärummun kansi. Tarkista, ettei tulipesässä ole mitään tukkimassa syttymistä. Avaa pellettisäiliön kansi. Varmista, että pellettisäiliössä tai kairasyöttöjärjestelmässä ei ole sinne kuulumattomia esineitä. Täytä pellettisäiliö kuivilla luonnollisilla, grillaukseen tarkoitetuilla lehtipuupelleteillä.
2. Varmista, että **lämmönsäädin** on SMOKE-asennossa. Käynnistä laite painamalla **virtapainiketta**. Tämä aktivoi käynnistysprosessin. Kairasyöttöjärjestelmä alkaa pyöriä, sytytin alkaa hehkua, ja tuuletin syöttää ilmaa tulipesään. Grilli alkaa tuottaa savua käynnistysprosessin aikana. Rummun kannen on oltava avoinna käynnistysprosessin aikana. Tiedät, että käynnistysprosessi on alkanut oikein, kun kuulet tulen jylinän ja huomaat, että laite alkaa tuottaa lämpöä.
3. Kun raskas, valkoinen savu on haihtunut, käynnistysvaihe on suoritettu loppuun ja voit aloittaa grillauksen haluamassasi lämpötilassa!

## TOIMINTA SYTYTTIMEN VIKATILANTEESSA

**Jos jostain syystä sähköinen sytytin tai grillin liekki sammuu ruuanvalmistuksen aikana, tarkista seuraavat asiat, tai käynnistä grilli manuaalisella tavalla.**

1. Varmista, että **lämmönsäädin** on poissa päältä ja SMOKE-asennossa. Avaa rummun kansi. Poista ruuanvalmistusosat sen sisältä. Poista kaikki palamattomat pelletit ja tuhka tulipesästä. Vammojen välttämiseksi, älä koske sytyttimeen, koska se voi olla erittäin kuuma.
2. Kun kaikki ruuanvalmistusosat on poistettu ja puhdistettu, käynnistä laite painamalla **virtapainiketta**. Tarkista seuraavat asiat:
  - Tarkista, että sytytin toimii viemällä kätesi tulipesän yläpuolelle ja kokeilemalla, tuleeko sieltä lämpöä.
  - Tarkista, että sytytin työntyy esiin tulipesästä n. 13 mm.
  - Tarkista, että kaira pudottaa pellettejä tulipesään.
  - Varmista, että palotuuletin toimii kuuntelemalla, kuuluuko jylinää.
3. Jos jokin yllä mainituista kohdista ei toimi, noudata kohdan **Vianetsintä** ohjeita.

## MANUAALINEN KÄYNNISTYSTOIMINTO

1. Varmista, että **lämmönsäädin** on SMOKE-asennossa. Liitä virtajohto maadoitettuun virtalähteeseen.
2. Tarkista, ettei tulipesässä ole mitään tukkimassa syttymistä. Avaa pellettisäiliön kansi. Varmista, että pellettisäiliössä tai kairasyöttöjärjestelmässä ei ole sinne kuulumattomia esineitä. Täytä pellettisäiliö kuivilla luonnollisilla, grillaukseen tarkoitetuilla lehtipuupelleteillä.
3. Avaa rummun kansi. Poista ruuanvalmistusosat niin, että tulipesä tulee näkyviin. Aseta runsas kourallinen pellettejä tulipesään. Ruiskauta hyytelöityä sytytinestettä tai muuta soveltuvaa pellettien sytytinainetta, pellettien päälle. Pieni määrä kiinteää, esimerkiksi sahanpurusta, vahasta tai puulastuista tehtyä sytytinainetta sopii myös. Lisää vielä pieni määrä pellettejä tulipesään.

**HUOMAUTUS: Älä käytä spriiä, bensiiniä, sytytinnestettä tai kerosiinia grillin tulen sytyttämiseen tai herättämiseen.**

4. Sytytä tulipesän sisältö pitkän tulitikun tai pitkäkärkisen sytyttimen avulla. Anna sytyttävän aineen palaa 3 – 5 minuutin ajan. Älä yritä lisätä enempää sytyttävää ainetta tulipesään. Tämä voi aiheuttaa vamman.
5. Aseta nopeasti ja varovasti ruuanvalmistusosat päärummun sisälle. Jatka käynnistystä **automaattisen käynnistystoiminnon** toisesta vaiheesta.

## GRILLIN SAMMUTTAMINEN

1. Kun ruuanvalmistus on päättynyt, päärummun ollessa kiinni, sammuta laite painamalla **virtapainiketta** ja käännä **lämmönsäädin** asentoon OFF.

# HUOLTO JA YLLÄPITO

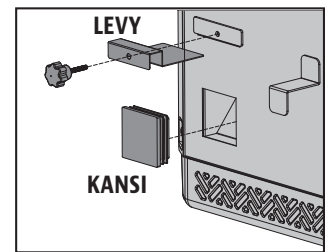
Kaikki Pit Boss® -laitteet antavat useita vuosia maukasta palvelua pienellä puhdistuksen määrällä. Seuraa näitä puhdistus- ja ylläpitovihjeitä grillin huollossa:

### 1. PELLETTISÄILIÖ

- Pellettisäiliössä on puhdistusominaisuus, jonka ansiosta puhdistus ja pellettipolttoainemakujen vaihto on helppoa. Puhdistusta varten paikanna levy ja kourun päällinen pellettisäiliön takapuolella. Aseta puhdas, tyhjä sanko kourun päällisen alle ja poista päällinen. Ruuvaa levy irti, liu'uta ulospäin, ja pelletit tyhjentyvät.

**HUOMAUTUS: Käytä pitkävartista harjaa tai imuria ylimääräisten pellettien, sahanpurun ja roskien poistamiseen niin, että koko pellettisäiliön suoja on täysin puhdas.**

- Kaikkien pellettien poistaminen kairajärjestelmästä on suositeltavaa, jos grilli on käyttämättömänä pitkiä aikoja. Tämä voidaan tehdä yksinkertaisesti käyttämällä grilliä tyhjällä pellettisäiliöllä, kunnes kaikki pelletit ovat tyhjentyneet kairaputkesta.
- Tarkista pellettisäiliön pohjalla oleva tuulettimen sisääntuloventtiili roskien varalta ja puhdista tarvittaessa. Kun pellettisäiliön käyttöpaneeli on poistettu (ks. kaavio kuvassa **Sähköjohtokaavio**), pyyhi varovasti pois tuulettimen lapoihin kertynyt rasva. Tämä varmistaa riittävän ilmanvirtauksen syöttöjärjestelmään.



### 2. MITTARIT

- Mittarien johdoissa olevat mutkat tai taitokset saattavat aiheuttaa vahinkoa. Lihälämpömittari, joka ei ole käytössä, tulee kiertää isolle, väljälle kierukalle.
- Vaikka sekä lämpötila-anturi että lihälämpömittarit ovat ruostumatonta terästä, älä pese niitä astianpesukoneessa tai upota niitä veteen. Sisäisille johdoille aiheutunut vesivahinko voi aiheuttaa oikosulun anturissa ja johtaa virheellisiin lukemiin. Jos anturi on vahingoittunut, se tulee vaihtaa uuteen.

### 3. SISÄPINNAT

- On suositeltavaa, että puhdistat tulipesän aina muutaman käytön jälkeen. Näin varmistat kunnollisen sytytyksen ja vältät kovan roska-aineksen tai tuhkan kertymisen tulipesään.
- Käyttäen pitkäkahvaista grillin puhdistusharjaa, poista kaikki ruoka tai muu kertymä ruuanvalmistusritilöiltä. Paras tapa on tehdä tämä, kun ne ovat vielä lämpimiä edellisestä ruuanvalmistuksesta. Rasvapaloja aiheutuu, kun liikaa roska-ainesta putoaa grillin ruuanvalmistusosien päälle. Puhdista grillin sisäosa säännöllisesti. Rasvapalon sattuessa pidä kansi suljettuna niin, että palo tukahtuu. Jos palo ei sammu nopeasti, poista varovasti ruoka, sammuta grilli ja sulje kansi, kunnes palo on kokonaan sammunut. Ripottele kevyesti ruokasoodaa, jos sitä on saatavilla.
- Tarkista rasva-astia usein ja puhdista tarvittaessa. Huomioi, minkä tyyppistä ruokaa valmistat.

**TÄRKEÄÄ: Korkeasta lämpötilasta johtuen, älä peitä liekkiparilaa tai antureita alumiinifoliolla.**

#### 4. ULKOPINNAT

- Pyyhi grilli jokaisen käytön jälkeen. Käytä lämmintä saippuavettä irrottamaan rasva. Älä käytä uuninpuhdistajaa, hankaavia puhdistusaineita tai hankaavia puhdistusyynyjä grillin ulkopinnoilla. **Takuu ei kata kaikkia maalattuja pintoja**, vaan ne kuuluvat yleisen huollon ja ylläpidon piiriin. Jos maalissa on naarmuja, kulumaa tai lohkeilua, nämä voi korjata korkeita lämpötiloja kestäväällä grillimaalilla.
- Suojaa grillisi vielä paremmin käyttämällä grillinsuojusta! Suojus antaa parhaan suojan säätä ja ulkoilman saasteita vastaan. Kun laite ei ole käytössä tai kun sitä varastoidaan pitkiä aikoja, pidä se suojuksen alla autotallissa tai vajassa.

#### PUHDISTUSVÄLIEN AIKATAULU (NORMAALIKÄYTTÖ)

KOHDE	PUHDISTUSVÄLI	PUHDISTUSTAPA
Päägrillin pohja	5–6 grillauskerran välein	Kauho sisältö pois, imuroi ylimääräiset roskat
Tulipesä	2–3 grillauskerran välein	Kauho sisältö pois, imuroi ylimääräiset roskat
Ruuanvalmistusritilät	Jokaisen grillauskerran jälkeen	Polta ylimääräinen aines, käytä messinkiharjaa
Liekkiparila	5–6 grillauskerran välein	Raaputa päälevy säätimellä, <b>älä pese puhtaaksi</b>
Etuhylly	Jokaisen grillauskerran jälkeen	Hankaustyyny ja saippuavesi
Rasva-astia	Jokaisen grillauskerran jälkeen	Hankaustyyny ja saippuavesi
Kairasyöttöjärjestelmä	Kun pellettipussi on tyhjä	Anna kairan työntää sahanpurut ulos niin, että pellettisäiliö tyhjenee
Pellettisäiliön sähköiset osat	Kerran vuodessa	Pyyhi pölyt sisäosista, pyyhi tuulettimen lavat saippuavedellä
Ilman tuloventtiili	5–6 grillauskerran välein	Pyyhi pölyt, käytä hankaustyynyä ja saippuavettä
Lämpötila-anturi	2–3 grillauskerran välein	Hankaustyyny ja saippuavesi

# VINKKEJÄ JA TEKNIIKOITA

Näiden hyödyllisten vinkkien ja tekniikoiden avulla, jotka ovat tulleet Pit Boss® -laitteiden omistajilta, henkilökunnaltamme ja kaltaisiltasi asiakkailta, voit oppia tuntemaan grillisi paremmin:

## 1. ELINTARVIKETURVALLISUUS

- Pidä kaikki pinnat keittiössä ja ruuanvalmistusalueilla puhtaana. Käytä eri lautasia ja ottimia kypsälle lihalle ja raa'an lihan käsittelyyn ja kuljetukseen. Tämä estää bakteerien ristikontaminaation. Kullakin marinadilla tai valelukastikkeella tulee olla oma ottimensa.
- Pidä kuumat ruuat kuumina (yli 60°C) ja kylmät ruuat kylminä (alle 3°C).
- Marinadia ei pidä koskaan säilyttää myöhempää käyttöä varten. Jos aiot tarjoilla sitä lihan kanssa, varmista, että kiehautat sen ennen tarjoilua.
- Kypsennettyjä ruokia ei tule jättää ulos lämpimään yli tunnin ajaksi. Älä jätä ruokia ulos jääkaapista yli kahdeksi tunniksi.
- Sulata ja marinoi lihat jääkaapissa. Älä sulata lihaa huoneenlämmössä tai pöytätasolla. Bakteerit voivat kasvaa ja lisääntyä nopeasti lämpimissä, kosteissa elintarvikkeissa. Pese kädet huolellisesti kuumassa saippuavedessä ennen ruuanvalmistuksen aloittamista ja tuoreen lihan, kalan ja siipikarjan lihan käsittelyn jälkeen.

## 2. RUUANVALMISTUKSEN VALMISTELU

- Valmistaudu, eli **Mise en Place**. Tällä tarkoitetaan ruokareseptin, polttoaineen, lisätarvikkeiden, ottimien ja kaikkien grillauksessa tarvitsemiesi raaka-aineiden valmistelua ja keräämistä ennen ruuanvalmistuksen aloittamista. Lue myös koko resepti alusta loppuun ennen grillin sytyttämistä.
- Grillille tarkoitettu lattiamatto on hyödyllinen. Koska ruuanvalmistuksessa usein tapahtuu vahinkoja ja ruokaa voi roiskua, grillausmatto suojaa terassia, patiota tai kivitasa rasvatahroilta ja roiskeilta.

## 3. GRILLAUSVINKKEJÄ JA TEKNIIKOITA

- Jos haluat lisää savun makua lihaasi, paahda sitä pidempään ja alhaisemmassa lämpötilassa (tunnetaan myös **low and slow** -grillauksena). Liha sulkee syynsä, kun sen sisälämpötila saavuttaa 49°C. Sumuttaminen on hyvä tapa estää lihaa kuivumasta.
- Ruskistaessasi lihaa, pidä kansi suljettuna. Käytä aina lihalämpömittaria valmistamiesi ruokien sisälämpötilan mittaamiseen. Ruokien savustaminen lehtipuupelleilla tekee lihasta ja siipikarjan lihasta vaaleanpunaista. Valmistuksen jälkeen lihassa näkyvää vaaleanpunaista rengasta kutsutaan **savurenkaaksi**, ja se on ulkokokkien korkealle arvostama.
- Sokeripohjaiset kastikkeet on parasta lisätä grillauksen loppuvaiheessa palamisen ja leimahdusten estämiseksi.
- Jätä avoin tila ruokien ja rummun reunojen välille niin, että lämpö kulkee vapaasti. Täydessä grillissä ruoka tarvitsee pidemmän valmistusajan.
- Käytä pitkävartisia atuloita lihan kääntämiseen ja lastaa burgereiden ja kalan kääntämiseen. Lävistävän välineen kuten haarukan käyttäminen tekee lihaan reiän ja päästää nesteet ulos lihasta.
- Syvässä padassa valmistuvat ruuat vaativat enemmän valmistusaikaa kuin matalassa paistoastiassa.
- On hyvä ajatus asettaa valmiit ruuat lämmitetylle lautaselle niin, että ne pysyvät lämpiminä. Punaisille lihoille, kuten pihveille ja paisteille, on eduksi, jos ne lepäävät useita minutteja ennen tarjoilua. Näin kuumuuden pintaan tuomat lihanesteet ehtivät vetäytyä takaisin lihan keskelle, mikä parantaa makua.

# VIANETSINTÄ

Asianmukainen puhdistus ja ylläpito sekä puhtaan, kuivan ja laadukkaan polttoaineen käyttö estää yleiset toiminnalliset ongelmat Jos Pit Boss® -grillisi ei toimi kunnolla tai jos sitä käytetään harvemmin, seuraavat vianetsintävihjeet voivat olla hyödyksi.

Usein kysytyt kysymykset löydät osoitteesta [www.pitboss-grills.com](http://www.pitboss-grills.com). Voit myös ottaa yhteyttä paikalliseen Pit Boss® valtuutettuun jälleenmyyjäsi tai asiakaspalveluumme.

**VAROITUS: Irrota aina sähköjohto ennen grillin avaamista tarkistusta, puhdistusta, ylläpito- tai huoltotoimenpiteitä varten. Varmista, että grilli on täysin viilentynyt vammojen välttämiseksi.**

ONGELMA	SYY	RATKAISU
Ohjauspaneelissa ei ole virtavaloja	Lämmönsäädin on pois päältä.	Paina virtapainiketta ja varmista, että painike hehkuu sinisenä osoittaen, että laite on kytketty sähköverkkoon. Käännä lämmönsäädin lämpötila-asentoon.
	Ei liitettyä virtalähteeseen	Varmista, että laite on liitetty toimivaan virtalähteeseen. Nollaa suojakatkaisin. Varmista, että vikavirtasuojatusta katkaisimessa on vähintään 10 ampeeria (kohdassa <b>Sähköjohtokaavio</b> näet, mistä sähköosat löytyvät). Varmista, että kaikki johdot ovat kunnolla liitettyjä ja kuivia.
	Sulake palanut ohjauspaneelissa	Poista pellettisäiliön käyttöpaneeli (ks. <b>Sähköjohtokaavio</b> ), paina ohjauspaneelia paikallaan pitävät muovikiekkot paikoilleen ja vapauta pellettisäiliön sisällä oleva säädin vetämällä sitä varovasti. Tarkista, onko sulakkeen johto rikkoutunut tai mustunut. Jos näin on tapahtunut, sulake pitää vaihtaa manuaalisesti.
	Vikavirtasuojattu pistoke on lauennut.	Poista pellettisäiliön käyttöpaneeli (ks. kaavio kohdassa <b>Sähköjohtokaavio</b> ) ja varmista, että kaikki johdot ovat kunnolla liitettyjä ja kuivia. Varmista, että vikavirtasuojatusta pistorasiassa on vähintään 10 ampeerin virta.
	Viallinen ohjauspaneeli	Ohjauspaneeli on vaihdettava. Ota yhteyttä asiakaspalveluun vaihto-osan saamiseksi.
Tuli ei syty tulipesässä	Kairaa ei ole valmisteltu	Ennen laitteen ensimmäistä käyttöä tai aina, kun pellettisäiliö on tyhjentynyt täysin, kaira on valmisteltava niin, että pelletit pääsevät täyttämään kairaputken. Jos valmistelua ei suoriteta, sytytin aikakatkaistaan ennen kuin pelletit saavuttavat tulipesän. Noudata <b>Pellettisäiliön alkusytytysmenetelmän</b> vaiheita.
	Kairan moottori on juuttunut kiinni	Poista ruuanvalmistusosat päärummista. Käynnistä yksikkö painamalla virtapainiketta, käännä lämmönsäädin asentoon SMOKE, ja tarkista kairasyöttöjärjestelmä. Tarkista, että kaira pudottaa pellettejä tulipesään. Jos se ei toimi kunnolla, pyydä neuvoja tai vaihto-osia asiakaspalvelustamme.
	Sytyttimen vikatilanne	Poista ruuanvalmistusosat päärummista. Käynnistä yksikkö painamalla virtapainiketta, käännä lämmönsäädin asentoon SMOKE ja tarkista sytytin. Tarkista sytyttimen toiminta viemällä kätesi tulipesän yläpuolelle ja kokeilemalla, tuleeko sieltä lämpöä. Tarkista, että sytytin työntyy esiin tulipesästä n. 13 mm. Jos se ei toimi kunnolla, noudata <b>manuaalista käynnistystoimintoa</b> jatkaaksesi grillin käyttöä. Ota kuitenkin yhteyttä asiakaspalveluun, jos tarvitset apua tai vaihto-osan.
Vilkkuvat pisteet LCD-näytöllä	Sytytin on päällä	Tämä ei ole grilliin vaikuttava virhe. Toimintoa käytetään osoittamaan, että grilli on kytkettynä sähköverkkoon ja se on käynnistystilassa (sytytin on päällä). Sytytin sammuu viiden minuutin kuluttua. Kun vilkkuvat pisteet katoavat näkyvistä, grilli alkaa säätää valittuun lämpötilaan.
Vilkkuva lämpötila LCD-näytöllä	Grillin lämpötila on alle 65 °C	Tämä ei ole laitteeseen vaikuttava virhe, mutta vilkkuva valo varoittaa tulen sammumisen mahdollisuudesta. Tarkista, että pellettisäiliössä on riittävästi polttoainetta ja ettei syöttöjärjestelmässä ole tukosta. Poista pelletit ja noudata <b>huolto- ja ylläpito-ohjeita</b> . Tarkista grillin lämpötila-anturi ja noudata <b>huolto- ja ylläpito-ohjeita</b> , jos se on likainen. Tarkista, onko tulipesässä tuhkakertymää ja noudata <b>huolto- ja ylläpito-ohjeita</b> , jos tuhkakertymää on. Tarkista tuuletin. Varmista, että se toimii oikein eikä ilman tulo ole estynyt. Noudata <b>huolto- ja ylläpito-ohjeita</b> , jos tuuletin on likainen. Tarkista, että kairamoottori toimii (pyörii) varmistaaksesi, että kairaputkessa ei ole tukosta.
"ErH"-virhekoodi	Laite on ylikuumenut, mahdollisesti rasvapalosta tai liiasta polttoaineesta johtuen.	Sammu laite painamalla virtapainiketta ja anna grillin jäähtyä. Noudata <b>huolto- ja ylläpito-ohjeita</b> . Huollon jälkeen poista pelletit ja varmista, että kaikki osat ovat oikeilla paikoillaan. Kun laite on viilentynyt, käynnistä se painamalla virtapainiketta ja valitse haluttu lämpötila. Jos virhekoodi jää näkyviin, ota yhteyttä asiakaspalveluun.

"Er1"-virhekoodi	Lämpötila-anturin johtoa ei ole kytketty.	Poista pellettisäiliön käyttöpaneeli (ks. kaavio kohdassa <b>Sähköjohtokaavio</b> ) ja tarkista, ovatko lämpötila-anturin johdot vahingoittuneet. Varmista, että lämpötila-anturin liitännät ovat kunnolla kiinni ja oikein liitettyinä ohjauspaneeliin.
"ErP"-virhekoodi	Laitetta ei suljettu oikein, kun se oli viimeksi kytkettynä sähköverkkoon.	Turvallisustoiminto estää automaattisen uudelleenkäynnistyksen. Sulje yksikkö painamalla virtapainiketta, odota kaksi minuuttia ja käynnistä laite sitten uudelleen painamalla virtapainiketta. Käänä lämmönsäädin asentoon SMOKE tai haluttuun lämpötilaan. Jos virhekoodi jää näkyviin, ota yhteyttä asiakaspalveluun.
	Sähkökatkos laitteen ollessa toiminnassa.	
"noP"-virhekoodi	Huonosti toimiva liitäntä liitäntäportissa	Irrota lihalämpömittari ohjauspaneelin liitäntäportista ja liitä uudelleen. Varmista, että lihalämpömittarin sovitin on tiukasti kiinni. Tarkista, onko sovittimen päässä merkkejä vahingoittumisesta. Jos liitäntä ei edelleenkään toimi, ota yhteyttä asiakaspalveluun vaihto-osan hankkimiseksi.
	Vahingoittunut lihalämpömittari	Tarkista, onko lihalämpömittarin johdoissa merkkejä vahingoittumisesta. Jos mittari on vahingoittunut, ota yhteyttä asiakaspalveluun vaihto-osan hankkimiseksi.
	Viallinen ohjauspaneeli	Ohjauspaneeli on vaihdettava. Ota yhteyttä asiakaspalveluun vaihto-osan saamiseksi.
Grillin lämpötila asetuksella SMOKE on liian korkea	"P"-asetus on liian ALHAINEN	Valitse korkeampi "P"-asetus painamalla "P" SET -painiketta.
Grilli ei saavuta tai säilytä tasaista lämpötilaa	Riittämätön ilmanvirtaus tulipesän läpi	Tarkista, onko tulipesässä kertynyttä tuhkaa tai esteitä. Noudata <b>huolto- ja ylläpito-ohjeita</b> , jos laitteessa on tuhkakertymää. Tarkista tuuletin. Varmista, että se toimii oikein eikä ilman tulo ole estynyt. Noudata <b>huolto- ja ylläpito-ohjeita</b> , jos tuuletin on likainen. Tarkista kairamoottori varmistaaksesi, että se toimii ja ettei kairaputkessa ole tukosta. Kun kaikki yllä mainitut vaiheet on suoritettu, käynnistä grilli, aseta lämpötila SMOKE-asentoon ja odota 10 minuuttia. Tarkista, että grillin liekki on kirkas ja eläväinen.
	Polttoaineen puute, huonolaatuinen polttoaine, tukos syöttöjärjestelmässä	Tarkista, onko pellettisäiliössä riittävästi polttoainetta, lisää tarvittaessa. Jos puupelletit ovat huonolaatuisia tai liian pitkiä, syöttöjärjestelmä saattaa tukkeutua. Poista pelletit ja noudata <b>huolto- ja ylläpito-ohjeita</b> .
	Lämpötila-anturi	Tarkista lämpötila-anturin tila. Noudata <b>huolto- ja ylläpito-ohjeita</b> , jos tuuletin on likainen. Ota yhteyttä asiakaspalveluun vaihto-osan saamiseksi, jos se on vahingoittunut.
Grilli tuottaa liikaa savua tai savu on tummaa	Rasvakertymää	Noudata <b>huolto- ja ylläpito-ohjeita</b> .
	Puupellettien laatu	Poista kosteat puupelletit pellettisäiliöstä. Puhdista <b>huolto- ja ylläpito-ohjeiden</b> mukaisesti. Korvaa kuivilla puupelleteillä.
	Tulipesä on tukkeutunut	Poista kosteat puupelletit tulipesästä. Noudata <b>Pellettisäiliön alkusytytysmenetelmän</b> vaiheita.
	Tuulettimen riittämätön ilmansaanti	Tarkista tuuletin. Varmista, että se toimii oikein eikä ilman tulo ole estynyt. Noudata <b>huolto- ja ylläpito-ohjeita</b> , jos tuuletin on likainen.
Usein tapahtuvat leimahdukset	Ruuanvalmistuslämpötila	Kokeile ruuan valmistusta alhaisemmalla lämpötilalla. Rasvalla ei ole räjähtämispistettä. Pidä lämpötilana alle 176 °C, kun valmistat erittäin rasvaista ruokaa.
	Rasvan kertymä ruuanvalmistusosissa	Noudata <b>huolto- ja ylläpito-ohjeita</b> .

# SÄHKÖJOHTOKAAVIO

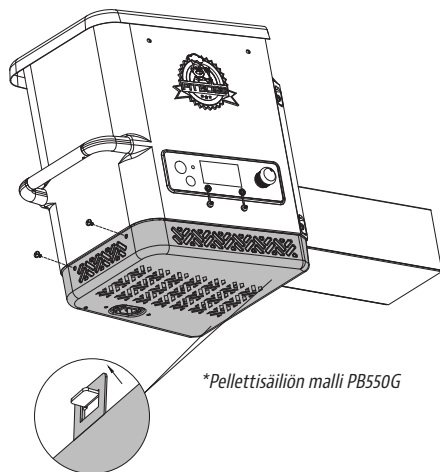
Digitaalinen ohjauspaneelijärjestelmä on herkkää ja arvokasta teknologiaa. Tutki alla olevaa johtokaaviota ja varmista, että virtalähteesi on riittävä tämän laitteen toimintaa varten. Näin suojaudut virtapiikeiltä ja sähkökatkoksilta.

## PB – SÄHKÖISET VAATIMUKSE 220–240 V, 50 Hz, 250 W, MAADOITETTU PISTOKE

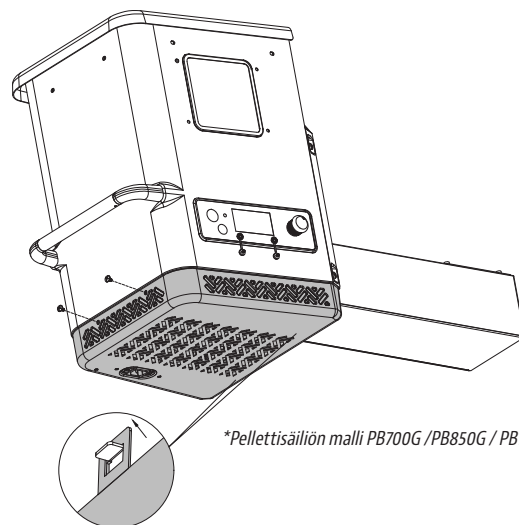
HUOMAUTUS: Sähköiset osat on hyväksytysti testattu tuoteturvallisuuden osalta, ne ovat sertifioituja ja testautoleranssin ±5–10 prosenttia mukaisia.

PAIKANNA JA POISTA KAKSI  
RUUVIA KÄYTTÖPANEELISSA  
PELLETTISÄILIÖN SIVULLA.

IRROTA SÄILIÖN ALAOSA  
JA LIU'UTA SE TAKAISIN  
IRROTAAKSESI SEN LÄPÄSTÄ.



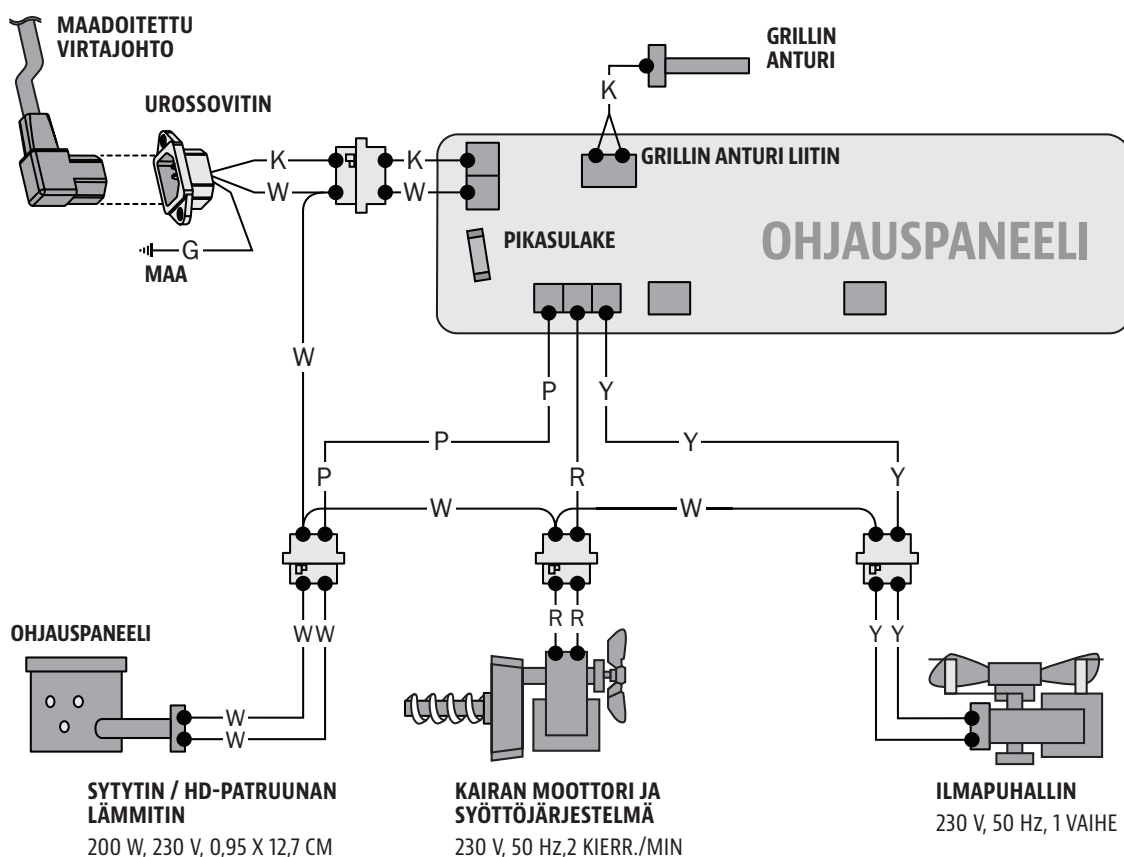
\*Pelletissäiliön malli PB550G



\*Pelletissäiliön malli PB700G / PB850G / PB1150G

## POLTTOAINEEN SYÖTTÖLUOKI- TUS:

2 KG/T  
(4.4 LB/H)



## OPAS

W: VALKOINEN  
Y: KELTAINEN  
P: VIOLETTI  
R: PUNAINEN  
K: MUSTA  
G: VIHREÄN

FI

SUOMI

## PB550G-GRILLIN VAIHTO-OSAT

Osan numero	Kuvaus
1-A	Kannen pidike (x1)
2-A	Kannen kahva (x1)
3-A	Kannen kahvan tiiviste (x2)
4-A	Päärumpu (x1)
5-A	Pellettisäiliö (x1)
6-A	Liekkiparilan säätöpalkki (x1)
7-A	Liekkiparilan säätöpalkin kahva (x1)
8-A	Liekkiparilan säädin (x1)
9-A	Liekkiparilan päälevy (x1)
10-A	Vasen etujalka (x1)
11-A	Vasen takajalka (x1)
12-A	Oikea etujalka (x1)
13-A	Oikea takajalka (x1)
14-A	Vasemman etujalan alaosa (x1)
15-A	Vasemman takajalan alaosa (x1)
16-A	Pyörä (x2)
17-A	Oikea alatukilevy (x1)
18-A	Vasen alatukilevy (x1)
19-A	Lyhyt tukilevy (x2)

Osan numero	Kuvaus
20-A	Pitkä tukilevy eteen/taakse (x2)
21-A	Etuhylly (x1)
22-A	Etuhyllyn oikea pidike (x1)
23-A	Etuhyllyn vasen pidike (x1)
24-A	Rasva-astia (x1)
25-A	Oikea sivupöytä (x1)
26-A	Ruuanvalmistusritilä (x2)
27-A	Lämmitysritilä (x1)
28-A	Paistomittari (x1)
29-A	Virtajohdon nipistin (x1)
30-A	Virtajohto – F-pistoke (x1)
31-A	Virtajohto – G-pistoke (x1)
A	Ruuvi (x18)
B	Aluslevy (x18)
C	Lukkolevy (x18)
D	Ruuvi (x30)
E	Pyörän akselitappi (x2)
F	Pyörän sokkanaula (x2)
G	Pyörän aluslevy (x2)

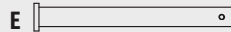
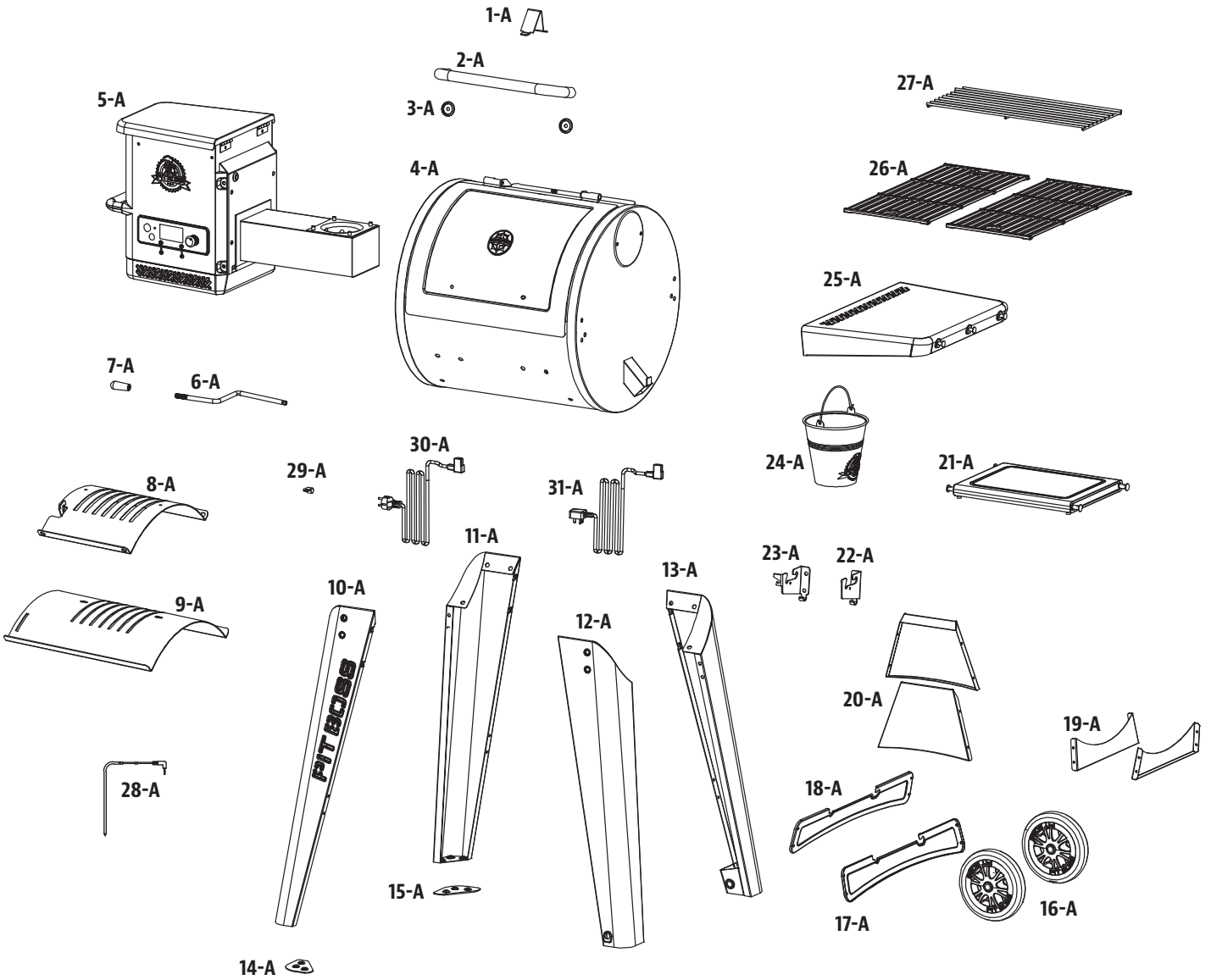
HUOMAUTUS: Jatkuvasta tuotekehityksestä johtuen osat voivat muuttua ilman etukäteisvaroitusta.

Kuvakaavio on seuraavalla sivulla.

MALLI	YKSIKÖ KOOTTUNA (LxKxS)	YKSIKÖN PAINO	RUUANVALMISTUSALUE	LÄMPÖTILA-ALUE	DIGITAALISET OMINAISUUDET
PB PB550G	1227mm x 1195mm x 868mm / 48,3" x 47" x 34,17"	55,7 kg / 12,8 lb	Pääalue - 2580,6 cm <sup>2</sup> / 400 sq. in. Ylähylly - 920 cm <sup>2</sup> / 142,6 sq. in. <b>YHTEENSÄ - 3500,6 cm<sup>2</sup> / 542,6 sq. in.</b>	82-260°C / 180-500°F	Kymmenen lämpötilan esiasetusta, käynnistysprosessi, sähköinen sytytin



# PB550G-GRILLIN VAIHTO-OSAT



## PB700G-GRILLIN VAIHTO-OSAT

Osan numero	Kuvaus
1-A	Kannen pidike (x1)
2-A	Kannen kahva (x1)
3-A	Kannen kahvan tiiviste (x2)
4-A	Päärumpu (x1)
5-A	Pellettisäiliö (x1)
6-A	Liekkiparilan säätöpalkki (x1)
7-A	Liekkiparilan säätöpalkin kahva (x1)
8-A	Liekkiparilan säädin (x1)
9-A	Liekkiparilan päälevy (x1)
10-A	Vasen etujalka (x1)
11-A	Vasen takajalka (x1)
12-A	Oikea etujalka (x1)
13-A	Oikea takajalka (x1)
14-A	Vasemman etujalan alaosa (x1)
15-A	Vasemman takajalan alaosa (x1)
16-A	Pyörä (x2)
17-A	Oikea alatukilevy (x1)
18-A	Vasen alatukilevy (x1)
19-A	Lyhyt tukilevy (x2)
20-A	Pitkä tukilevy eteen (x1)

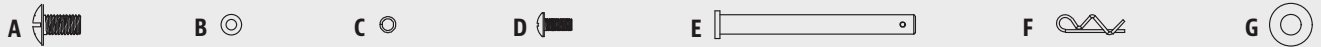
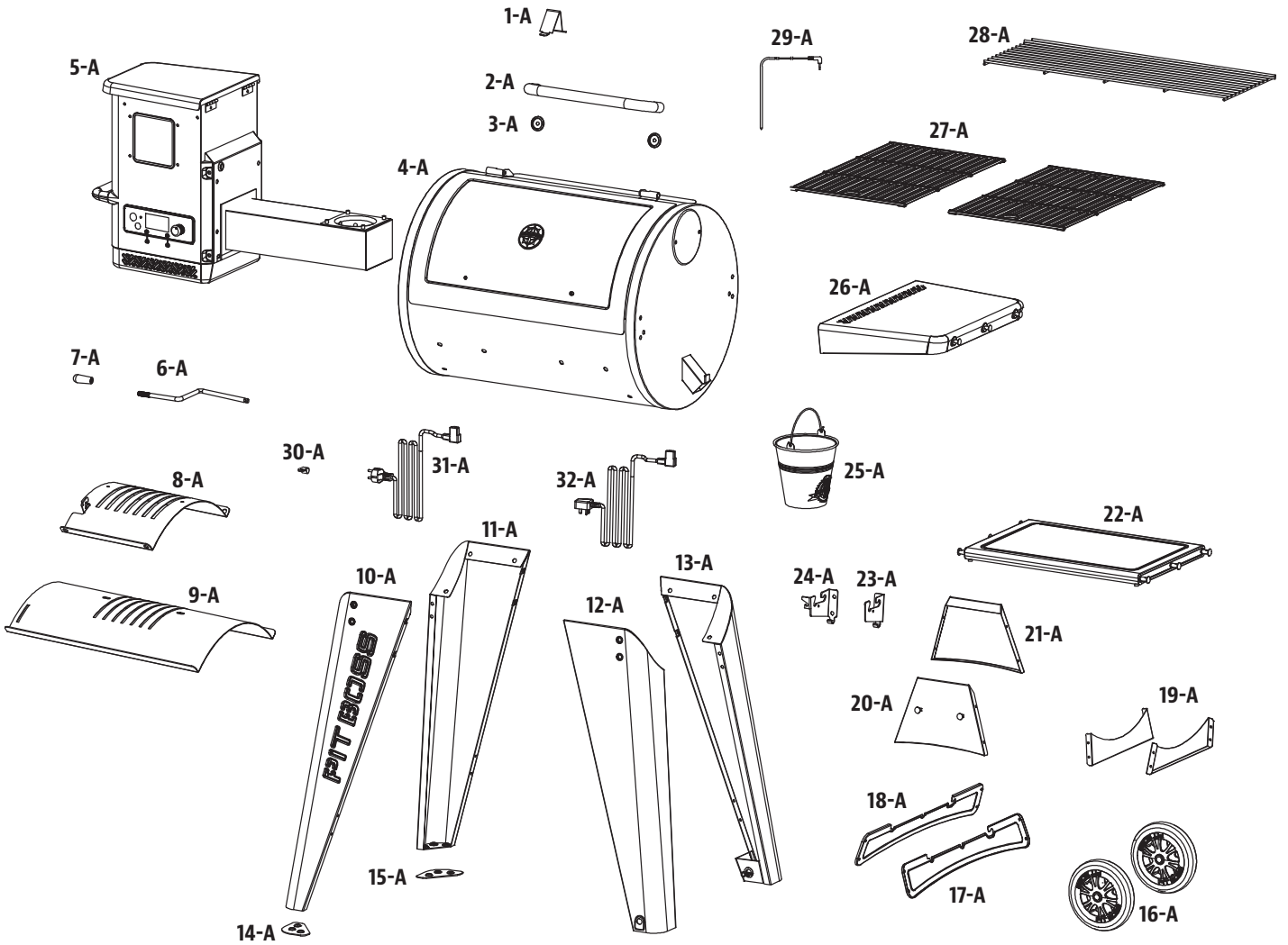
Osan numero	Kuvaus
21-A	Pitkä tukilevy taakse (x1)
22-A	Etuhylly (x1)
23-A	Etuhyllyn oikea pidike (x1)
24-A	Etuhyllyn vasen pidike (x1)
25-A	Rasva-astia (x1)
26-A	Oikea sivupöytä (x1)
27-A	Ruuanvalmistusritilä (x2)
28-A	Lämmitysritilä (x1)
29-A	Paistomittari (x1)
30-A	Virtajohdon nipistin (x1)
31-A	Virtajohto - F-pistoke (x1)
32-A	Virtajohto - G-pistoke (x1)
A	Ruuvi (x18)
B	Aluslevy (x18)
C	Lukkolevy (x18)
D	Ruuvi (x30)
E	Pyörän akselitappi (x2)
F	Pyörän sokkanaula (x2)
G	Pyörän aluslevy (x2)

HUOMAUTUS: Jatkuva tuotekehityksestä johtuen osat voivat muuttua ilman etukäteisvaroitusta.

Kuvakaavio on seuraavalla sivulla.

MALLI	YKSIKKÖ KOOTTUNA (LxKxS)	YKSIKÖN PAINO	RUUANVALMISTUSALUE	LÄMPÖTILA-ALUE	DIGITAALISET OMINAISUUDET
PB PB700G	1388mm x 1195mm x 940mm / 54,6" x 47" x 37"	66,5 kg / 146,61 lb	Pääalue - 3109 cm <sup>2</sup> / 482 sq. in. Ylähylly - 1341 cm <sup>2</sup> / 208 sq. in. <b>YHTEENSÄ - 4450 cm<sup>2</sup> / 690 sq. in.</b>	82-260°C / 180-500°F	Kymmenen lämpötilan esiasetusta, käynnistysprosessi, sähköinen sytytin

# PB700G-GRILLIN VAIHTO-OSAT



# PB850G-GRILLIN VAIHTO-OSAT

Osan numero	Kuvaus
1-A	Kannen pidike (x1)
2-A	Kannen kahva (x1)
3-A	Kannen kahvan tiiviste (x2)
4-A	Päärumpu (x1)
5-A	Pellettisäiliö (x1)
6-A	Liekkiparilan säätöpalkki (x1)
7-A	Liekkiparilan säätöpalkin kahva (x1)
8-A	Liekkiparilan säädin (x1)
9-A	Liekkiparilan päälevy (x1)
10-A	Vasen etujalka (x1)
11-A	Vasen takajalka (x1)
12-A	Oikea etujalka (x1)
13-A	Oikea takajalka (x1)
14-A	Vasemman etujalan alaosa (x1)
15-A	Vasemman takajalan alaosa (x1)
16-A	Kääntöpyörä jarrulla (x2)
17-A	Pyörä (x2)
18-A	Oikea alatukilevy (x1)
19-A	Vasen alatukilevy (x1)
20-A	Lyhyt tukilevy (x2)
21-A	Pitkä tukilevy eteen (x1)

Osan numero	Kuvaus
22-A	Pitkä tukilevy taakse (x1)
23-A	Etuhylly (x1)
24-A	Etuhyllyn oikea pidike (x1)
25-A	Etuhyllyn vasen pidike (x1)
26-A	Rasva-astia (x1)
27-A	Oikea sivupöytä (x1)
28-A	Ruuanvalmistusritilä A (x1)
29-A	Ruuanvalmistusritilä B (x2)
30-A	Lämmitysritilä (x1)
31-A	Paistomittari (x1)
32-A	Virtajohton nipistin (x1)
33-A	Virtajohto – F-pistoke (x1)
34-A	Virtajohto – G-pistoke (x1)
A	Ruuvi (x18)
B	Aluslevy (x18)
C	Lukkolevy (x18)
D	Ruuvi (x30)
E	Ruuvi (x4)
F	Pyörän akselitappi (x2)
G	Pyörän sokkanaula (x2)
H	Pyörän aluslevy (x2)

HUOMAUTUS: Jatkuva tuotekehityksestä johtuen osat voivat muuttua ilman etukäteisvaroitusta.

Kuvakaavio on seuraavalla sivulla.

MALLI	YKSIKKÖ KOOTTUNA (LxKxS)	YKSIKÖN PAINO	RUUANVALMISTUSALUE	LÄMPÖTILA-ALUE	DIGITAALISET OMINAISUUDET
PB PB850G	1472mm x 1195mm x 940mm / 57,9" x 47" x 37"	74,5kg / 164,24 lb	Pääalue - 3825,8 cm <sup>2</sup> / 593 sq. in. Ylähylly - 1845,2 cm <sup>2</sup> / 286 sq. in. <b>YHTEENSÄ - 5,671 cm<sup>2</sup> / 879 sq. in.</b>	82-260°C / 180-500°F	Kymmenen lämpötilan esiasetusta, käynnistysprosessi, sähköinen sytytin



# PB1150G-GRILLIN VAIHTO-OSAT

Osan numero	Kuvaus
1-A	Kannen pidike (x1)
2-A	Kannen kahva (x1)
3-A	Kannen kahvan tiiviste (x2)
4-A	Päärumpu (x1)
5-A	Pellettisäiliö (x1)
6-A	Liekkiparilan säätöpalkki (x1)
7-A	Liekkiparilan säätöpalkin kahva (x1)
8-A	Liekkiparilan säädin (x1)
9-A	Liekkiparilan päälevy (x1)
10-A	Vasen etujalka (x1)
11-A	Vasen takajalka (x1)
12-A	Oikea etujalka (x1)
13-A	Oikea takajalka (x1)
14-A	Vasemman etujalan alaosa (x1)
15-A	Vasemman takajalan alaosa (x1)
16-A	Kääntöpyörä jarrulla (x2)
17-A	Pyörä (x2)
18-A	Oikea alatukilevy (x1)
19-A	Vasen alatukilevy (x1)
20-A	Lyhyt tukilevy (x2)
21-A	Pitkä tukilevy eteen (x1)
22-A	Pitkä tukilevy taakse (x1)

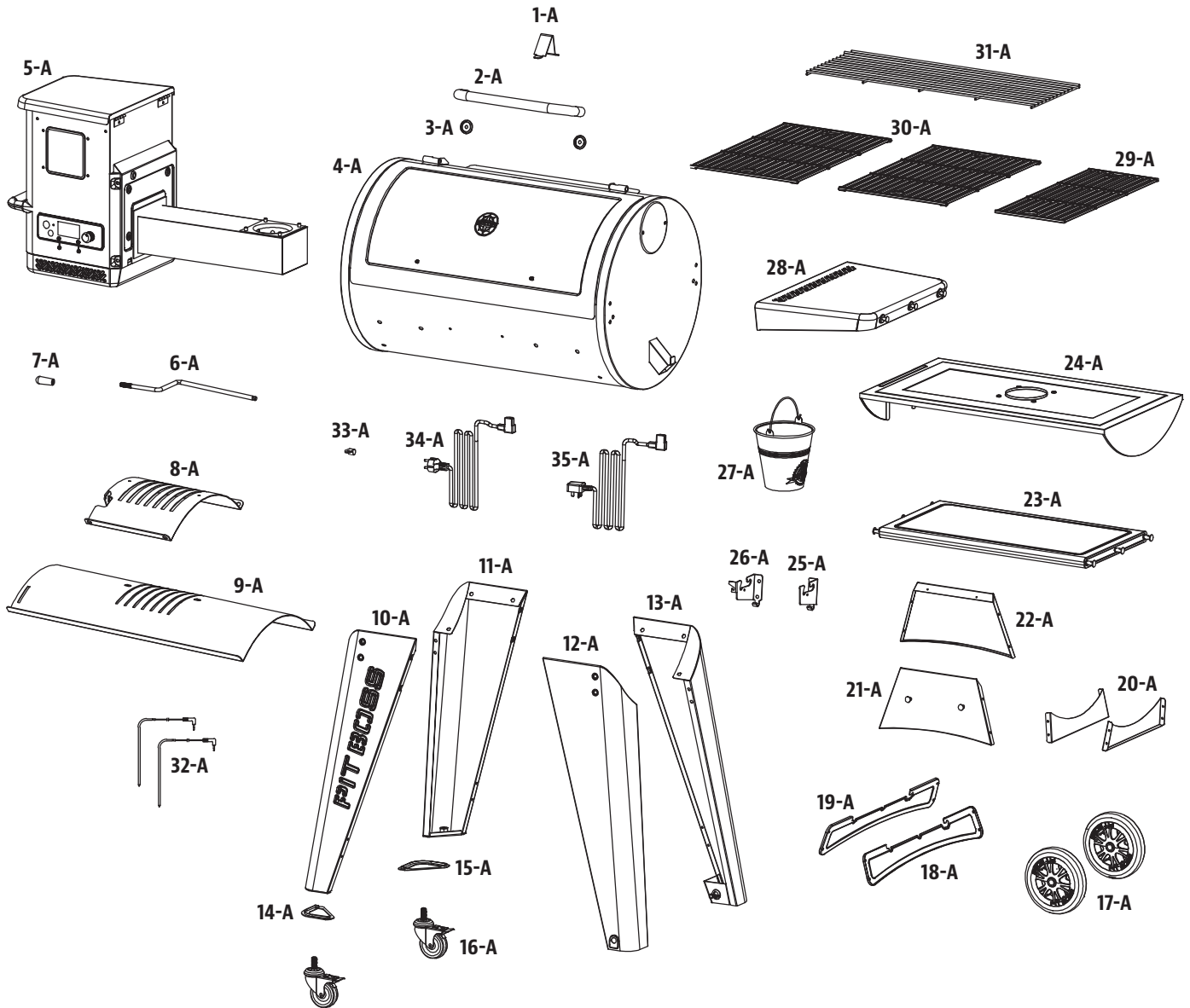
Osan numero	Kuvaus
23-A	Etuhylly (x1)
24-A	Diffuusorilevy (x1)
25-A	Etuhyllyn oikea pidike (x1)
26-A	Etuhyllyn vasen pidike (x1)
27-A	Rasva-astia (x1)
28-A	Oikea sivupöytä (x1)
29-A	Ruuanvalmistusritilä A (x1)
30-A	Ruuanvalmistusritilä B (x2)
31-A	Lämmitysritilä (x1)
32-A	Paistomittari (x2)
33-A	Virtajohton nipistin (x1)
34-A	Virtajohto - F-pistoke (x1)
35-A	Virtajohto - G-pistoke (x1)
A	Ruuvi (x18)
B	Aluslevy (x18)
C	Lukkolevy (x18)
D	Ruuvi (x30)
E	Ruuvi (x6)
F	Pyörän akselitappi (x2)
G	Pyörän sokkanaula (x2)
H	Pyörän aluslevy (x2)

HUOMAUTUS: Jatkuva tuotekehityksestä johtuen osat voivat muuttua ilman etukäteisvaroitusta.

Kuvakaavio on seuraavalla sivulla.

MALLI	YKSIKÖ KOOTTUNA (LxKxS)	YKSIKÖN PAINO	RUUANVALMISTUSALUE	LÄMPÖTILA-ALUE	DIGITAALISET OMINAISUUDET
PB PB1150G	1,622mm x 1,195mm x 940mm / 63.86" x 47" x 37"	84 kg / 185.19 lb	Pääalue - 4587,1 cm <sup>2</sup> / 711 sq. in. Ylähylly - 2883,9 cm <sup>2</sup> / 447 sq. in. <b>YHTEENSÄ - 7471 cm<sup>2</sup> / 1158 sq. in.</b>	82-260°C / 180-500°F	Kymmenen lämpötilan esiasetusta, käynnistysprosessi, sähköinen sytytin

# PB1150G-GRILLIN VAIHTO-OSAT





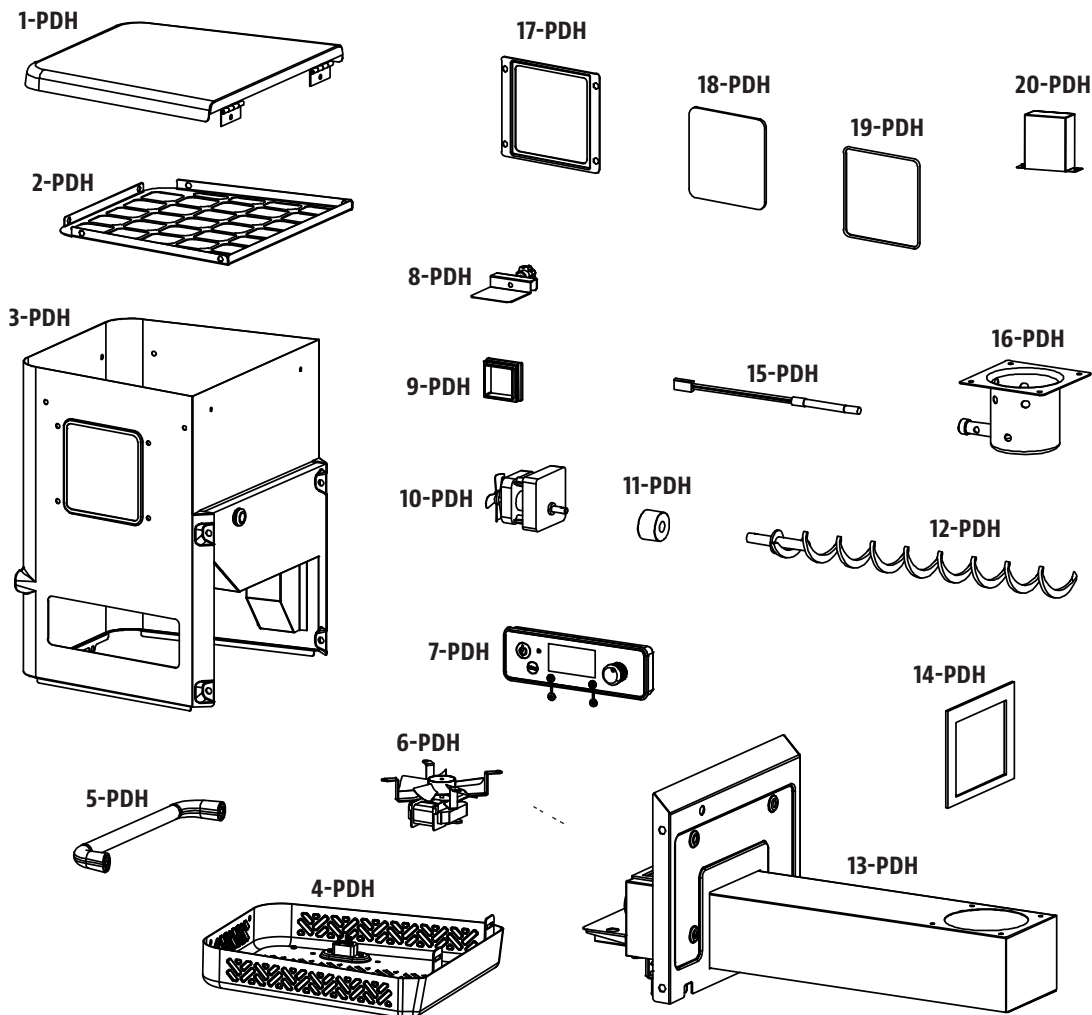


# PB700G / PB850G / PB1150G-PELETTISÄILIÖN VAIHTO-OSAT

Osan numero	Kuvaus
1-PDH	Pellettisäiliön kansi (x1)
2-PDH	Pellettisäiliön turvasuoja (x1)
3-PDH	Pellettisäiliölaatikko (x1)
4-PDH	Pellettisäiliön käyttöpaneeli (x1)
5-PDH	Pellettisäiliön kahva (x1)
6-PDH	Palotuuletin (x1)
7-PDH	Pit Boss® -ohjauspaneeli (x1)
8-PDH	Pudotuskourun levy (x1)
9-PDH	Pudotuskourun kansi (x1)
10-PDH	Kairan moottori (x1)

Osan numero	Kuvaus
11-PDH	Nailonhylsy (x1)
12-PDH	Kairan kierre (x1)
13-PDH	Kairalaatikko (x1)
14-PDH	Pellettisäiliön tiiviste (x1)
15-PDH	Sytytin (x1)
16-PDH	Tulipesä (x1)
17-PDH	Lasilevy (x1)
18-PDH	Lasi (x1)
19-PDH	Kumitiiviste (x1)
20-PDH	Virtajohdon vedenpitävä kansi (x1)

HUOMAUTUS: Jatkuva tuotekehityksestä johtuen osat voivat muuttua ilman etukäteisvaroitusta.



# TAKUU

## EHDOT

Kaikilla Dansons Inc.:n valmistamilla Pit Boss® -puupellettigrilleilla on rajoitettu takuu alkuperäisen omistajan ostopäivästä alkaen. Takuu alkaa alkuperäisenä ostopäivänä ja takuun todentamista varten tarvitaan todiste ostopäivästä tai kopio alkuperäisestä ostokuitista. Asiakkaalta veloitetaan osista ja kuljetuksista sekä käsittelymaksuja, jos he eivät pysty toimittamaan ostotositetta ja sen jälkeen, kun takuu on umpeutunut.

Dansons myöntää viiden (5) vuoden takuun kaikkien osien vikojen ja työn laadun osalta sekä viiden (5) vuoden takuun sähköisille osille. Dansons takaa, että kaikki osat ovat materiaali- ja valmistusvirheettömiä alkuperäisen ostajan käyttö- ja omistusaikana. Takuu ei kata normaalista käytöstä aiheutuvia vahinkoja, kuten naarmuja, kolhuja, lommoja, lohkeamia tai vähäisiä kosmeettisia säröjä. Tällaiset grillin esteettiset muutokset eivät vaikuta sen toimintaan. Mitään osaa ei korjata tai vaihdeta viiden (5) vuoden rajoitetun takuun jälkeen ostopäivästä lukien.

Takuuajana Dansons'in vastuu rajoittuu korvaavan osan tarjoamiseen viallisten tai vioittuneiden osien tilalle. Takuukauden aikana Dansons ei veloita palautettujen osien korjauksesta tai vaihdosta tai esimaksetusta kuljetuksesta, jos Dansons tutkimuksensa perusteella toteaa, että osat ovat viallisia. Dansons ei ole vastuussa kuljetusmaksuista, työkuulumuksista tai vientiveroista. Lukuun ottamatta mitä näissä takuuehdoissa on määrätty, osien korjaaminen tai korvaaminen uudella tässä mainitulla tavalla ja tässä mainitun ajanjakson aikana katsotaan Dansons'in suorien ja välillisten vastuiden ja velvoitteiden täyttämiseksi sinua kohtaan.

Dansons varautuu kaikin tavoin siihen, että se käyttää ruostetta ehkäiseviä materiaaleja. Näistäkin turvatoimista huolimatta suojaavat pinnoitteet voivat pettää johtuen erilaisista aineista ja olosuhteista, jotka eivät ole Dansons'in hallinnassa. Korkeat lämpötilat, korkea kosteus, kloriitti, teolliset kaasut, lannoitteet, nurmikon tuholaismyrkyt ja suola ovat esimerkkejä aineista, jotka voivat vaikuttaa metallipinnoitteisiin. Näistä syistä takuu ei kata ruostetta tai hapettumista ellei grillin osan rakenteellista vikaa. Jos jokin yllä olevista tapahtuu, pyydämme ystävällisesti tutustumaan huolto- ja ylläpitotoimia koskevaan osioon yksikön käyttöiän pidentämiseksi. Dansons suosittelee grillin suojuksen käyttöä, kun grilli ei ole käytössä.

Tämä takuu perustuu normaaliin kotikäyttöön ja huoltoon, eikä kumpikaan rajoitettu takuu ole voimassa, jos grilli on kaupallisessa käytössä.

## POIKKEUKSET

Pit Boss® -grilleilla ei ole kirjallista tai implisiittistä toiminnallisuustakuuta, koska valmistajalla ei ole mahdollisuutta vaikuttaa asennukseen, käyttöön, puhdistukseen, huoltoon tai käytettyyn polttoaineeseen. Tämä takuu ei ole voimassa eikä Dansons hyväksy vastuuta, jos laitetta ei ole asennettu, käytetty, puhdistettu ja huollettu tarkasti tämän omistajan käsikirjan mukaisesti. Sellaisen kaasun käyttö, jota ei ole kuvattu tässä ohjekirjassa, saattaa mitätöidä takuun. Takuu ei kata vahinkoa tai rikkoutumista, joka johtuu väärinkäytöstä, varomattomasta käsittelystä tai muokkauksista.

Dansons tai valtuutettu Pit Boss® -jälleenmyyjä eivät hyväksy juridista tai muuta vastuuta tämän tuotteen käytöstä aiheutuvista satunnaisista tai välillisistä vahingoista omaisuudelle tai henkilöille. Riippumatta siitä, perustuuko vaatimus Dansons'ia vastaan tämän takuun tai muun ilmaistun tai lain edellyttämän takuun rikkomukseen, valmistajan vastuu kaikista erityisistä, epäsuorista, välillisistä tai muista minkä tahansa laatuista vahingoista rajoittuu korkeintaan tämän tuotteen alkuperäiseen ostohintaan. Kaikki valmistajan takuut on ilmaistu tässä asiakirjassa, eikä valmistajaa vastaan voi esittää takuita tai vakuutuksia koskevia vaatimuksia.

Jotkin valtiot eivät salli satunnaisten tai välillisten vahinkojen tai epäsuorien takuiden rajoittamista, joten tässä rajoitetussa takuussa esitetyt rajoitukset eivät mahdollisesti koske sinua. Tämä rajoitettu takuu antaa sinulle määrättyjä juridisia oikeuksia. Sinulla saattaa olla myös muita oikeuksia, jotka vaihtelevat valtiosta toiseen.

## VAIHTO-OSIEN TILAAMINEN

Jos haluat tilata vaihto-osia, ota yhteyttä Pit Boss® -jälleenmyyjään tai vieraile verkkokaupassamme osoitteessa [www.pitboss-grills.com](http://www.pitboss-grills.com)

## OTA YHTEYTTÄ ASIAKASPALVELUUN

Jos sinulla on kysymyksiä tai ongelmia, ota yhteyttä asiakaspalveluumme, joka on avoinna maanantaista sunnuntaihin klo 04.00 - 20.00 PST (EN/FR/ES).

**service@pitboss-grills.com | Maksuton puhelinnumero Yhdysvaltain alueella: +1-877-303-3134 | Maksuton faksinumero Yhdysvaltain alueella: +1-877-303-3135**

## TAKUUPALVELU

Jos tarvitset korjausta tai vaihto-osia, ota yhteyttä lähimpään Pit Boss® -jälleenmyyjään. Dansons Inc. tarvitsee ostotositteen takuuseen perustuvan vaatimuksen käsittelyä varten. Säilytä näin ollen alkuperäinen myyntitosite tai lasku tulevaa käyttöä varten. Pit Boss® -laitteesi sarja- ja mallinumero löytyvät pellettisäiliön takaa. Kirjaa numerot alle, koska etiketti saattaa kulua tai tulla lukukelvottomaksi.

---

MALLI

---

SARJANUMERO

---

OSTOPÄIVÄMÄÄRÄ

---

HYVÄKSYTTY JÄLLEENMYYJÄ

FI

SUOMI

# SIKKERHETSINFORMASJON

**VANLIGE ÅRSAKER TIL BRANN I UTSTYR ER DÅRLIG VEDLIKEHOLD OG MANGEL PÅ NØDVENDIG AVSTAND TIL BRENNBARE MATERIALER. DET ER SVÆRT VIKTIG AT DETTE PRODUKTET BARE BRUKES I HENHOLD TIL INSTRUKSJONENE NEDENFOR.**

Les og forstå hele håndboken før du prøver å sette sammen, bruke eller montere produktet. Dette sikrer at du opplever problemfri og enkel bruk av den nye grillen med trepellets. Vi anbefaler også at du beholder denne håndboken for fremtidig referanse.

## FARER OG ADVARSLER

**Du må kontakte det lokale boligbyggelaget, bygnings- eller brannmyndigheter eller andre aktuelle myndigheter for å innhente de nødvendige tillatelsene eller informasjon om eventuelle monteringsrestriksjoner, for eksempel en grill som monteres på en brennbar overflate, inspeksjonskrav eller til og med muligheten til å bruke apparatet der du bor.**

1. Du må opprettholde en minimumsavstand på 914 mm (36 tommer) fra sidene på grillen til brennbare konstruksjoner, og 914 mm (36 tommer) fra baksiden av grillen til brennbare konstruksjoner. **Ikke monter på brennbare gulv eller gulv som er beskyttet med brennbare overflater, med mindre riktige tillatelser er innhentet fra de aktuelle myndighetene.** Ikke bruk dette apparatet innendørs eller i et lukket område uten ventilasjon. Dette apparatet med trepellets må ikke plasseres under brennbare tak eller overheng. Hold grillen på et område som er åpent og uten brennbare materialer, bensin og andre brennbare damper og væsker.

**Hvis fett tar fyr, må du slå AV grillen og la lokket være på til flammene har sluknet. Ta ut strømledningen fra den tilkoblede kontakten. Ikke hell vann på enheten. Ikke prøv å kvele brannen. Et generelt godkjent brannslukningsapparat (klasse ABC) er nyttig og bør oppbevares på bruksstedet. Ring brannvesenet hvis en ukontrollert brann oppstår.**

2. Hold elektriske strømledninger og drivstoff unna varme overflater. Ikke bruk grillen i regnvær eller i nærheten av andre vannkilder.
3. Når apparatet ikke har vært i bruk på en stund, må du kontrollere om det er obstruksjoner i grillbrønnen, fremmedlegemer i grillbeholderen eller luftblokkeringer rundt vifteinntaket, i pipen eller i de bakre ventilasjonshullene. Rengjør før bruk. Jevnlig stell og vedlikehold er nødvendig for å forlenge enhetens levetid. **Hvis grillen oppbevares utendørs i regn eller høy fuktighet, må du sørge for at det ikke kommer vann inn i grillbeholderen.** Når trepellets blir våte eller eksponeres for høy fuktighet, utvides de voldsomt, brytes ned og kan sette seg fast i matesystemet. Koble alltid fra strømmen før du utfører service eller vedlikehold.

**Ikke flytt på grillen mens den er i bruk eller er varm. Sørg for at ilden har sluknet helt og at grillen er helt kjølig når du berører den, før du flytter den.**

4. Det anbefales å bruke varmeresistente grillvotter eller hansker ved bruk av grillen. Ikke bruk tilbehør som ikke er angitt for bruk med dette apparatet. Ikke plasser et grilltrekk eller noe annet brennbart i oppbevaringsområdet under grillen.
5. Apparatet er utstyrt med en sikkerhetsskjerm i metall, festet på innsiden av grillbeholderen, for å forhindre at fingre, klær eller andre objekter kommer i kontakt med navmatesystemet. Denne skjermen må ikke fjernes, med mindre kundeservice eller en autorisert forhandler ber om det.

**Dette apparatet er ikke anbefalt for barn, personer med reduserte fysiske, følelsesmessige eller mentale funksjoner eller personer uten erfaring og kunnskap, med mindre de er under oppsyn eller får instruksjoner av en person som har ansvaret for deres sikkerhet.**

6. Deler av grillen kan bli svært varme og kan føre til alvorlige skader. Hold små barn og kjæledyr unna mens grillen er i bruk.
7. Ikke forstørr tennerhullene eller brennboksene. Hvis ikke denne advarselen følges, kan det føre til brann og kroppsskade, i tillegg til at garantien blir ugyldig.

8. Produktet kan ha skarpe kanter eller spisser. Kontakt med disse kan føre til skade. Håndteres forsiktig.

## AVHENDING AV ASKE

Aske må legges i en metallbeholder med tett lokk. Den lukkede askebeholderen må plasseres på et ikke-brennbart gulv eller på bakken, langt unna alle brennbare materialer, før endelig avhending. Når aske avhendes ved å begraves i jord, eller spres lokalt på andre måter, må den holdes i en lukket beholder til alt slag er helt kaldt.

## TREPELLETS

Dette matlagingsapparatet med pellets er utformet og godkjent for bruk bare med helt naturlige pellets. Alle andre typer drivstoff som brennes i dette apparatet, gjør garantien og sikkerhetsoppføringen ugyldig. Du må bare bruke helt naturlige trepellets som er laget for brenning i pelletsgrill. Ikke bruk drivstoff med tilsetningsstoffer. Trepellets er svært utsatt for fuktighet og må alltid oppbevares i en lufttett beholder. Hvis du oppbevarer grillen uten å bruke den over tid, anbefaler vi at du tar ut alle pellets fra grillbeholderen og navet for å forhindre at de setter seg fast.

**Ikke bruk sprit, bensin, lighervæske eller parafin til å tenne eller få fart på ilden i grillen. Hold alle slike væsker godt unna apparatet når det er i bruk.**

På trykktidspunktet finnes det ingen bransjestandard for trepellets for grill, men de fleste pelletsfabrikker bruker de samme standardene til å produsere trepellets for hjemmebruk. Du kan finne mer informasjon på [www.pelletheat.org](http://www.pelletheat.org) eller hos **Pellet Fuel Institute**.

Kontakt den lokale forhandleren for informasjon om pellets- og merke kvalitet der du bor. Ettersom det ikke finnes noen kontroll av kvaliteten på pellets som brukes, tar vi ikke ansvar for skader som skyldes drivstoff av dårlig kvalitet.

## KREOSOT

Kreosot, eller sot, er et tjærelignende stoff. Når det brennes, produserer det svart røyk med rester som også er svarte. Sot eller kreosot dannes når apparatet brukes på feil måte, for eksempel med en blokkering i forbrenningsviften, mangel på rengjøring og vedlikehold av brenneområdet, fuktige pellets eller dårlig forbrenning fra luft til drivstoff.

Det er farlig å bruke dette apparatet hvis flammen blir mørk eller sotete, eller hvis brennboksen inneholder for mange pellets. Når kreosoten antennes, fører det til en svært varm og ukontrollert brann som minner om fettbrann. Hvis dette skjer, må du slå AV enheten, la den bli helt kjølig og deretter undersøke den for vedlikehold og rengjøring. Det samler seg vanligvis langs utgangsområdene.

Hvis det har dannet seg kreosot i enheten, må du varme opp enheten på lav temperatur, slå av apparatet og deretter tørke bort alle dannelsene med et håndkle. Akkurat som tjære er det mye enklere å fjerne det når det er varmt, ettersom det da blir flytende.

## KARBONMONOKSID ("DEN STILLE MORDEREN")

Karbonmonoksid er en fargeløs, luktfri og smakløs gass som produseres gjennom brenning av gass, tre, propan, kull eller andre drivstoff. Karbonmonoksid reduserer blodets evne til å transportere oksygen. Lave blodoksygennivåer kan føre til hodepine, svimmelhet, svakhet, kvalme, oppkast, søvnighet, forvirring, bevisstløshet eller dødsfall. Følg disse retningslinjene for å forhindre at denne fargeløse og luktfrie gassen forgifter deg, familien eller andre:

- Kontakt lege hvis du eller andre utvikler forkjølelse eller influensalignende symptomer under matlaging eller i nærheten av apparatet. Karbonmonoksidforgiftning, som enkelt kan feiltolkes som forkjølelse eller influensa, oppdages ofte for sent.
- Inntak av alkohol eller narkotiske stoffer øker effekten av karbonmonoksidforgiftning.

Karbonmonoksid er spesielt giftig for mor og barn under graviditet, spedbarn, eldre, røykere og personer med blod- eller sirkulasjonsproblemer, for eksempel anemi eller hjertesykdommer.

## SIKKERHETSOPPFØRING

Oppfyller EN 60335-2-102:2016, EN 60335-1:2012 + A11:2014 + A13:2017 + A1: 2021 + A14: 2021 + A2: 2021, EN62233: 2008, EN 55014-1:2017, EN 61000-3-2:2014, EN 61000-3-3:2013, EN 55014-2:2015.



# INNHALDSFORTEGNELSE

Sikkerhetsinformasjon.....	188	Reservedeler	
Instruksjoner for bruk		Reservedeler for grill modell PB550G.....	202
Grillomgivelser.....	191	Reservedeler for grill modell PB700G.....	204
Temperaturområder for grill.....	192	Reservedeler for grill modell PB850G .....	206
Forstå kontrollpanelet .....	193	Reservedeler for grill modell PB1150G .....	208
Forstå sondene .....	193	Reservedeler for grill modell PB550G Hopper.....	210
Forstå "P"-innstillingen .....	194	Reservedeler for grill modell PB700G / PB850G / PB1150G Hopper.....	211
Prosedyre for grunning av beholderen.....	194	Garanti	
Første bruk – avbrenning av grillen.....	195	Vilkår .....	212
Prosedyre for automatisk oppstart.....	195	Unntak.....	212
Prosedyre for manuell oppstart .....	195	Bestille reservedeler.....	213
Slå av grillen .....	195	Kontakte kundeservice .....	213
Stell og vedlikehold .....	196	Garantiservice .....	213
Tips og teknikker.....	198		
Feilsøking.....	199		
Diagram over elektriske ledninger .....	201		



## MERKNAD OM OPPHAVSRETT

Copyright 2021. Med enerett. Ingen deler av denne håndboken kan kopieres, overføres, transkriberes eller oppbevares i et hentesystem i noen som helst form eller med noen som helst metoder uten uttrykkelig skriftlig tillatelse fra

### Dansons

3411 North 5th Avenue, Suite 500, Phoenix, AZ, USA 85013  
sales@pitboss-grills.com | service@pitboss-grills.com  
[www.pitboss-grills.com](http://www.pitboss-grills.com)

### Kundeservice

Mandag til og med søndag, 04.00–20.00 PST (EN/FR/ES)

**Avgiftsfritt telefonnummer: 1-877-303-3134, faks: 1-877-303-3135**

# INSTRUKSJONER FOR BRUK

En moderne livsstil innebærer å spise sunn og næringsrik mat, og det er viktig å vurdere en reduksjon av fettinntaket. En av de beste måtene å redusere fettinnholdet i kostholdet på, er å bruke en tilberedningsmåte med lite fett, for eksempel grilling. Ettersom en pelletsgrill bruker naturlige trepellets, blir saltsmaken fra treet innbakt i kjøttet, noe som reduserer behovet for sauser med høyt sukkerinnhold. I denne håndboken vil du legge merke til at vi legger vekt på langvarig grilling av mat på LAV eller MIDDELS temperatur.

## GRILLOMGIVELSER

### 1. ANBEFALT PLASSERING AV GRILLEN

Som for alle andre utendørsenheter, er værforholdene viktig for grillens ytelse og tilberedningstiden som kreves for perfekte måltider.

Alle Pit Boss®-enheter må opprettholde en minimumsavstand på 914 mm (36 tommer) fra brennbare konstruksjoner, og denne avstanden må opprettholdes hver gang grillen er i bruk. Dette apparatet må ikke plasseres under brennbare tak eller overheng. Hold grillen på et område som er uten brennbare materialer, bensin og andre brennbare damper og væsker.

### 2. MATLAGING I KJØLIG VÆR

Selv om det blir kjøligere ute, betyr ikke det at grillsesongen er over! Den friske, kjølige luften og de deilige duftene av røkt mat er balsam for sjelen i vintermånedene.

Følg disse forslagene til hvordan du kan grille i alle de kalde månedene:

- Hvis røyking på lav temperatur ikke fungerer, øker du temperaturen litt for å oppnå samme resultat.
- Vær organisert: hent alt du trenger på kjøkkenet før du går ut. Om vinteren flytter du grillen til et området som er i le for vinden og direkte kulde. Kontroller lokale lover om hvor nært grillen kan stå huset ditt og/eller andre strukturer. Legg alt du trenger å et brett, kle deg godt, og få det gjort!
- Du kan holde oversikt over temperaturen utendørs ved å plassere et utendørstermometer nær tilberedningsområdet. Noter deg hva du har laget, hva temperaturen var utendørs, og hvor lang tid tilberedningen tok. Dette hjelper deg senere når du skal finne ut hva du skal lage, og hvor lang tid det kommer til å ta.
- I veldig kaldt vær må du øke oppvarmingstiden med minst 20 minutter.
- Ikke ta av lokket oftere enn nødvendig. Kalde vindkast kan kjøle grilltemperaturen helt ned. Vær fleksibel med serveringstidspunktet. Legg til ekstra tilberedningstid for hver gang du åpner lokket.
- Ha en varm tallerken eller et tallerkendeksel klart, slik at maten holdes varm på vei inn igjen.
- Mat som egner seg godt for tilberedning om vinteren, er mat som krever lite tilsyn, for eksempel steik, hel kylling, ribbe og kalkun. Gjør tilberedningen av måltidet enda enklere ved å bruke enkelt tilbehør, for eksempel grønnsaker og poteter.

### 3. MATLAGING I VARMT VÆR

Når det blir varmere ute, går tilberedningstiden ned.

Følg disse forslagene til hvordan du kan grille i alle de varme månedene:

- Juster tilberedningstemperaturen nedover. Dette bidrar til å unngå uønsket oppflamming.
- Bruk et steketermometer til å fastsette den innvendige temperaturen i maten. Dette bidrar til å forhindre at kjøttet grilles for lenge og blir tørt.
- Selv i varmt vær er det best å tilberede maten med lokket på.
- Du kan holde maten varm ved å pakke den inn i folie og legge den i en isolert kjøler. Stapp krøllet avisepapir rundt folien, så holder maten seg varm i 3–4 timer.

## TEMPERATUROMRÅDER FOR GRILL

Temperaturavlesningene på kontrollpanelet er ikke nødvendigvis identisk med termometeret. Alle temperaturene nedenfor er omtrentlige og påvirkes av følgende faktorer: omgivelsestemperaturen utendørs, mengden vind og vindretningen, kvaliteten på pelletsen som brukes, løfting av lokket og mengden mat som tilberedes.

- **HØY TEMPERATUR (205–260 °C/401–500 °F)**

Dette området er best når du skal stekte og grille på høy varme. Bruk sammen med flammegrillen (skyveplaten) for tilberedning med indirekte eller direkte flamme. Når **flammegrillen er åpen**, brukes direkte varme til å lage "blå" biffer, i tillegg til flammekyssede grønnsaker, hvitløksbrød eller s'mores! Når **flammegrillen er lukket**, sirkulerer luften rundt sylindren og danner konveksjonsvarme. Høy temperatur brukes også til å forhåndsvarme grillen, brenne av tilberedningsristene og oppnå høy varme i svært kaldt vær.

- **MIDDELS TEMPERATUR (135–180 °C/275–356 °F)**

Dette området passer best til baking, steking og sluttbehandling av retter som er langtidstilberedt med røyk. Matlaging på disse temperaturene reduserer sjansen for fettoppflamming betydelig. Pass på at skyveplaten for flammegrillen er lukket, slik at den dekker sporåpningene. Dette er et utmerket temperaturområde for tilberedning av alt som er surret inn i bacon, eller der du vil ha allsidighet med kontroll.

- **LAV TEMPERATUR (82–125 °C/180–257 °F)**

Dette området brukes til langvarig steking, til å forsterke røykmaken og til å holde maten varm. Tilfør mer røyksmak og hold kjøttet saftig ved å tilberede det lenger på lavere temperatur (også kalt **lavt og sakte**). Dette anbefales for en stor kalkun på nyttårsaften, en saftig skinkesteik til påske eller en stor sommerfest.

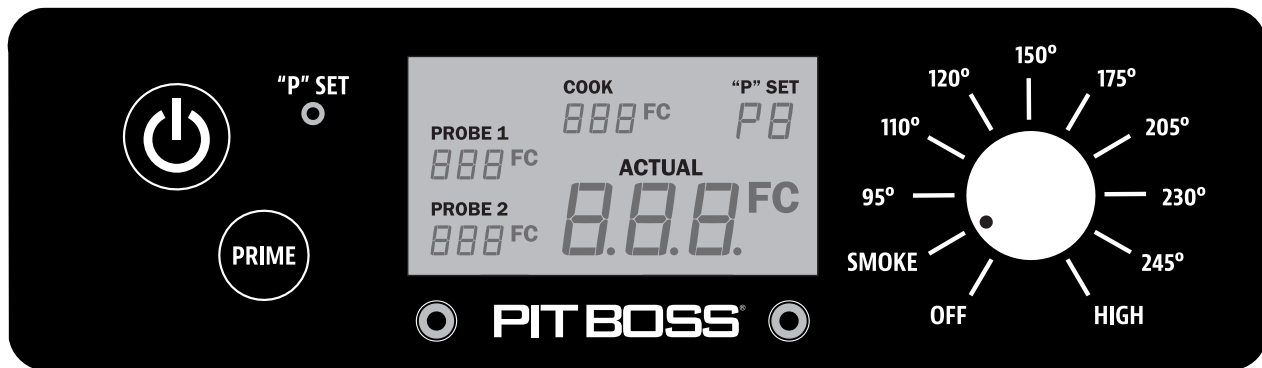
Røyking er en variasjon av ekte grilling og er hovedfordelen med å grille på en grill med trepellets. **Varmrøyking**, et annet navn på **lavt og sakte**, is utføres vanligvis på 82–125 °C/180–257 °F. Varmrøyking fungerer best når lang tilberedningstid er nødvendig, for eksempel store biter kjøtt, fisk eller fjærkre.








**TIPS: Du kan forsterke røykmaken ved å bytte til temperaturinnstillingen SMOKE (lav) like etter at du har lagt maten på grillen. Dette gjør at røyken kan trenge inn i kjøttet.**

Nøkkelen er å eksperimentere med tiden du bruker på røykingen, før måltidet er ferdig tilberedt. Noen utendørskokker foretrekker å røyke på slutten av tilberedningen, slik at maten holder seg varm til den er klar for servering. Øvelse gjør mester!



## FORSTÅ KONTROLLPANELET



KONTROLL	BESKRIVELSE
	Trykk på <b>av/på-knappen</b> for å slå på enheten. Knappen lyser blått hvis enheten er koblet til en strømkilde. Trykk på knappen på nytt for å slå av enheten.
	Du kan bruke <b>knotten for temperaturkontroll</b> til å stille inn ønske røyketemperatur. Når enheten er koblet til en strømkilde og du har trykket på av/på-knappen, vrir du på knotten og velger én av de ti forhåndsdefinerte temperaturene fra 82–260 °C/180–500 °F. Når knotten er stilt på en forhåndsdefinert temperatur, lyser den digitale LCD-skjermen og viser at den er klar til bruk. Når knotten er stilt inn på Off, blir ikke den digitale LCD-skjermen slått på.
	Knappen <b>"P" Set</b> brukes til å velge én av de åtte finjusteringene når knotten for temperaturkontroll er satt til innstillingen Smoke. Trykk på knappen hvis du vil endre "P"-innstillingen etter egen tilberedningsstil og tilberedningsomgivelsene. Hvis du <u>trykker kort</u> på knappen, øker innstillingen fra P0 til P7, før den gjentar dette. Justeringer er bare mulig når innstillingen Smoke er valgt. Standardinnstillingen fra fabrikken er "P4". Hvis "P"-innstillingen blir justert, låses (lagres) preferansen din til du gjør ytterligere justeringer.  Knappen <b>"P" Set</b> brukes også som <b>temperaturbryterkontroll</b> når du vil endre temperaturavlesningen på LCD-skjermen. Trykk på <u>og hold inne</u> knappen i to sekunder for å bytte til Celsius (°C) eller Fahrenheit (°F). Standarden er Celsius.
	<b>LCD-skjermen</b> brukes som informasjonssenter for enheten. LCD-skjermen viser ønsket tilberedningstemperatur, faktisk tilberedningstemperatur og temperaturer i steketermometrene (hvis tilkoblet). Hvis bare ett steketermometer er tilkoblet, vises bare én avlesning.
	Trykk på og hold inne <b>Prime-knappen</b> for å aktivere ekstra mating av pellets til ildgryten. Denne knappen kan brukes til å tilføre mer drivstoff til ilden før du åpner sylindreløkket, noe som gir rask gjenoppbygging av varmen. Den kan også brukes under røyking for å øke intensiteten av den rene røyksmaken. Dette er noe konkurransekokker ønsker seg.
<b>SMOKE</b>	Innstillingen <b>Smoke</b> på knotten for temperaturkontroll er enhetens oppstartsmodus. Grillen drives på laveste temperatur, uten at ilden slukner.
	Innpluggingstilkoblingsporten(e) foran på kontrollpanelet er ment for <b>steketermometer(e)</b> . Når et steketermometer er tilkoblet, vises temperaturen på LCD-skjermen. Når du ikke skal bruke steketermometeret, kobler du det fra tilkoblingsporten. <i>Bare kompatibel med steketermometre av merket Pit Boss®. Ekstra steketermometre selges separat.</i> 

## FORSTÅ SONDENE

### • TEMPERATURSONDE

Du finner temperatursonden på innsiden av hovedsylindren, på den venstre veggen. Den er en liten, loddrett del i rustfritt stål. Temperatursonden måler den innvendige temperaturen i enheten. Når temperaturen justeres på kontrollpanelet, leser temperatursonden av den faktiske temperaturen inni enheten og justerer til ønsket temperatur.

**VIKTIG: Temperaturen i enheten påvirkes i stor grad av været utendørs, kvaliteten på pelletsen du bruker, smaken på pelletsen og mengden mat som tilberedes.**

#### • STEKETERMOMETER

Steketermometeret måler den innvendige temperaturen på kjøttet i grillen, på samme måte som en stekeovn på kjøkkenet. Plugg inn steketermometeradapteren i tilkoblingsporten for steketermometer på kontrolltavlen, og sett termometeret av rustfritt stål inn i den tykkeste delen av kjøttet. Temperaturen vises på kontrollpanelet. **Du merker at steketermometeret er riktig koblet til tilkoblingsporten ved at du føler det og hører at det klikker på plass.**

**MERK: Når du plasserer steketermometeret i kjøttet, må du passe på at termometeret og ledningene på det ikke kommer i kontakt med flammer eller for høy varme. Dette kan skade steketermometeret. Før den overflødig ledningen ut de bakre utgangshullene på hovedgrillen eller på toppen av hovedgrillen (i nærheten av hengselen til grilllokket). Når du ikke skal bruke steketermometeret, kobler du det fra tilkoblingsporten og legger det til siden for å holde det beskyttet og rent.**

## FORSTÅ "P"-INNSTILLINGEN

Når du trykker på den nedfelte knappen "P" SET, begynner "P"-innstillingen på LCD-skjermen å blinke og endres til den neste verdien (oppover). Når P7 er nådd, starter den på nytt på P0. Det er åtte "P"-innstillinger, fra P0 til P7. Den nedfelte "P" SET-knappen kan trykkes inn med en gjenstand med tynn spiss.

**VIKTIG: Ikke trykk for hardt på "P" SET-knappen, da dette kan føre til skade. Du trenger bare å trykke lett.**

#### • BRUKE "P"-INNSTILLINGEN I RØYKEMODUS

Når temperaturknotten er satt til SMOKE, for eksempel oppstartssyklusen, kjøres navet i en mer manuell tilberedningsmodus i stedet for å bruke én av de forhåndsdefinerte temperaturene fra knotten. Først roterer navet kontinuerlig og mater pellets i fire minutter. Etter fire minutter begynner navet å kjøre en matesyklus som er basert på "P"-innstillingen som er valgt på det digitale kontrollpanelet. Standardinnstillingen er P4.

"P" SET	NAVSYKLUS (sekunder)	
	PÅ	AV
P0	18	55
P1	18	70
P2	18	85
P3	18	100
<b>*P4</b>	<b>18</b>	<b>115</b>
P5	18	130
P6	18	140
P7	18	150

**\*Standardinnstillingen fra fabrikken**

## PROSEDYRE FOR GRUNNING AV BEHOLDEREN

Disse instruksjonene må følges første gang grillen tennes, og hver gang grillen går tom for pellets i beholderen. Navet må grunnes slik at pellets kan føres gjennom hele navet og fylle ildgryten. **Hvis den ikke grunnes, blir tenneren tidsavbrutt før pelletsen tennes, og det blir ikke gjort opp ild.** Gjør følgende for å grunne beholderen:

1. Åpne beholderlokket. Kontroller at det ikke er fremmedlegemer i beholderen eller som blokkerer navmatesystemet nederst.
2. Ta ut alle tilberedningskomponenter fra grillens innside. Finn ildgryten nederst i hovedsylinderen.
3. Plugg strømledningen til en strømkilde. Trykk på **av/på-knappen** for å slå på enheten, og vri **temperaturkontrollknotten** til posisjonen SMOKE. Kontroller følgende:
  - At du kan høre at navet går rundt. Hold hånden over ildgryten for å se om du kjenner bevegelse i luften. Ikke hold hånden eller fingre på innsiden av ildgryten. Det kan føre til skader.
  - Etter ca. ett minutt skal du lukte at tenneren brenner og begynne å kjenne at luften blir varmere i ildgryten. Tennertuppen lyser ikke rødt, men blir ekstremt varm og brenner deg. Ikke rør tenneren.
4. Når du har kontrollert at alle elektriske komponenter fungerer som de skal, trykker du på **av/på-knappen** for å slå av enheten.
5. Fyll beholderen med helt naturlige grillpellets av tre.
6. Trykk på **av/på-knappen** for å slå på enheten. Hold **temperaturkontrollknotten** i posisjonen SMOKE. Trykk på og hold inne **Prime-knappen** til du ser pellets på innsiden av grillen fra navrøret. Når pellets begynner å falle ned i ildgryten, slipper du **Prime-knappen**.
7. Trykk på **av/på-knappen** for å slå av enheten.
8. Sett tilberedningskomponentene inn igjen i hovedsylinderen. Grillen er nå klar for bruk. (Se *Monteringsinstruksjoner* for riktig montering av tilberedningskomponenter.)

## FØRSTE BRUK – AVBRENNING AV GRILLEN

Når beholderen er grunnet og før du tilbereder mat på grillen for første gang, er det viktig å gjennomføre en avbrenning av grillen. Start grillen på hvilken som helst temperatur over 176 °C/350 °F (med lokket på) i 30 til 40 minutter for å brenne av grillen og bli kvitt eventuelle fremmedlegemer.

## PROSEDYRE FOR AUTOMATISK OPPSTART

1. Plugg strømledningen til en jordet strømkilde. Åpne lokket på hovedsylinderen. Kontroller at det ikke er noen hindringer for riktig tenning i ildgryten. Åpne beholderlokket. Kontroller at det ikke er fremmedlegemer i beholderen eller navmatesystemet. Fyll beholderen med tørre og helt naturlige pellets av hardt tre.
2. Kontroller at **temperaturkontrollknotten** er i posisjonen SMOKE. Trykk på **av/på-knappen** for å slå på enheten. Dette aktiverer oppstartssyklusen. Navmatesystemet begynner å rotere, tenneren begynner å gløde, og viften forsyner luft til ildgryten. Grillen begynner å produsere røyk mens oppstartssyklusen foregår. Sylinderlokket må være åpent under oppstartssyklusen. Du kan bekrefte at oppstartssyklusen har startet som den skal, ved å lytte etter et ildbrøl og se at varme produseres.
3. Når den tunge, hvite røyken har spredt seg, er oppstartssyklusen fullført, og du er klar til å bruke grillen på ønsket temperatur.

## PROSEDYRE FOR TENNERFEIL

**Hvis den elektriske tenneren av én eller annen grunn svikter eller ilden dør ut i grillen under tilberedning, kontrollerer du trinnene nedenfor eller starter grillen manuelt.**

1. Kontroller at **temperaturkontrollknotten** er av og i posisjonen SMOKE. Åpne sylinderlokket. Ta ut tilberedningskomponentene fra innsiden. Fjern aske og alle pellets som ikke har brent, fra ildgryten. Unngå å berøre tenneren, da den er svært varm og kan skade deg.
2. Når alle tilberedningskomponenter er tatt ut og rengjort, trykker du på **av/på-knappen** for å slå på enheten. Kontroller følgende:
  - Kontroller visuelt at tenneren fungerer ved å holde hånden over ildgryten og kjenne om det er varmt der.
  - Kontroller visuelt at tenneren stikker ca. 13 mm/0,5 tomme inn i ildgryten.
  - Kontroller visuelt at navet slipper pellets ned i ildgryten.
  - Bekreft at forbrenningsviften fungerer ved å lytte etter et ildbrøl.
3. Hvis punktene ovenfor ikke fungerer, følger du instruksjonene for **feilsøking**.

## PROSEDYRE FOR MANUELL OPPSTART

1. Kontroller at **temperaturkontrollknotten** er i posisjonen **SMOKE**. Plugg strømledningen til en jordet strømkilde.
2. Kontroller at det ikke er noen hindringer for riktig tenning i ildgryten. Åpne beholderlokket. Kontroller at det ikke er fremmedlegemer i beholderen eller navmatesystemet. Fyll beholderen med tørre og helt naturlige grillpellets av hardt tre.
3. Åpne sylinderlokket. Ta ut tilberedningskomponentene for å eksponere ildgryten. Legg en generøs håndfull pellets i ildgryten. Sprut en geléaktig tennvæske eller en annen egnet pelletsvæske over pelletsen. En liten mengde fast drivstofftenner, som for eksempel består av sagflis og voks eller spon, kan også brukes. Legg noen pellets til i ildgryten.

**MERK: Ikke bruk sprit, bensin, lightervæske eller parafin til å tenne eller få fart på ilden i grillen.**

4. Tenn innholdet i ildgryten med en lang fyrstikk eller langhalset lighter. La tennvæsken brenne i tre til fem minutter. Ikke prøv å tilføre mer tennvæske i ildgryten. Det kan føre til skader.
5. Sett raskt og forsiktig tilberedningskomponentene på plass i hovedsylinderen. Fortsett oppstarten på trinn to av **prosedyren for automatisk oppstart**.

## SLÅ AV GRILLEN

1. Når tilberedningen er fullført, holder du lokket på hovedsylinderen lukket og trykker på **av/på-knappen** for å slå av enheten. Vri **temperaturkontrollknotten** til OFF.

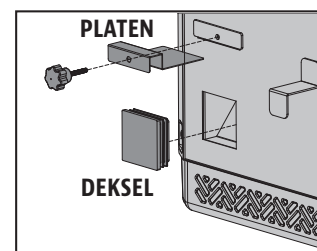
# STELL OG VEDLIKEHOLD

Alle Pit Boss®-enheter gir deg mange års smaksrik bruk hvis du rengjør dem litt. Følg disse tipsene om rengjøring og vedlikehold for å holde grillen i god stand:

## 1. BEHOLDERMONTERING

- Beholderen inkluderer en rengjøringsfunksjon som gir enkel rengjøring og bytte av pellets med ulik smak. Du tømmer den ved å finne platen og dekselet på nedfallssjakten på baksiden av beholderen. Plasser et rent, tomt spann under dekselet på nedfallssjakten, og fjern deretter dekselet. Skru løs platen og skyv den utover, så faller pellets ut.

**MERK: Bruk en børste med langt håndtak eller en liten støvsuger til å fjerne overflødig pellets, sagflis og støv og rengjøre beholderskjermen ordentlig.**



- Det anbefales å fjerne alle pellets fra navsystemet hvis grillen skal stå ubrukt over lengre tid. Dette gjør du enkelt ved å kjøre grillen med tom beholder til alle pellets er tømt fra navrøret.
- Kontroller og fjern eventuelle rester fra ventilen i vifteinntaket, som du finner i bunnen av beholderen. Når tilgangspanelet på beholderen er fjernet (se **diagrammet over elektriske ledninger**), tørker du forsiktig av eventuelle fettoppbygninger direkte på viftebladene. Dette sørger for tilstrekkelig luftstrøm til matesystemet.

## 2. SONDER

- Knekker eller bretter i sondene kan føre til skade. Et steketermometer som ikke er i bruk, bør ruller opp i en stor, løs spole.
- Selv om både temperatursonden og steketermometrene er av rustfritt stål, må du ikke legge dem i oppvaskmaskinen eller senke dem i vann. Vannskader på de innvendige ledningene fører til kortslutning i sonden, slik av avlesningene blir feil. Hvis en sonde blir skadet, må den byttes ut.

## 3. INNVENDIGE OVERFLATER

- Det anbefales å rengjøre ildgryten når du har brukt den et par ganger. Dette sørger for riktig tenning og gjør at du unngår oppbygning av rester eller aske i gryten.
- Bruk en grillrengjøringsbørste med langt håndtak til å fjerne eventuelle matrester eller oppbygninger fra tilberedningsristene. Anbefalt fremgangsmåte er å gjøre dette mens de fortsatt er varme fra tilberedningen. Fettbranner skyldes for mange rester som faller ned på tilberedningskomponentene på grillen. Rengjør innsiden av grillen jevnlig. Hvis du opplever en fettbrann, må du holde grilllokket lukket for å kvele brannen. Hvis brannen ikke slukner raskt, må du forsiktig fjerne maten, slå av grillen og holde lokket lukket til brannen har sluknet helt. Strø på et lett lag av bakepulver, hvis du har det tilgjengelig.
- Kontroller fettbøtten ofte, og rengjør den ved behov. Tenk på hvilken type matlaging du driver med.

**VIKTIG: På grunn av sterk varme må du ikke dekke flammegrillen eller sondene med aluminiumsfolie.**

## 4. UTVENDIGE OVERFLATER

- Tørk av grillen etter hvert bruk. Bruk varmt såpevann til å fjerne fett. Ikke bruk et rengjøringsmiddel for stekeovn, slipende rengjøringsmidler eller slipende rengjøringsputer på utvendige grilloverflater. **Lakkerte overflater er ikke dekket av garantien**, men er en del av generelt vedlikehold og stell. Hvis lakken blir oppripet, slitt eller flasser, kan alle lakkerte overflater etterbehandles med varm grillakk.
- Bruk et grilltrekk til å beskytte grillen helt. Et trekk er den beste beskyttelsen mot værforhold og forurensning i luften. Når enheten ikke er i bruk eller skal oppbevares over lang tid, oppbevarer du den under et trekk i en garasje eller bod.

### TIDSTABELL FOR RENGJØRINGSFREKVENNS (NORMAL BRUK)

ELEMENT	RENGJØRINGSFREKVENNS	RENGJØRINGSMETODE
Bunnen av hovedgrillen	Etter hver 5.-6. grilløkt	Kost ut eller støvsug overflødige rester
Ildgryte	Etter hver 2.-3. grilløkt	Kost ut eller støvsug overflødige rester
Tilberedningsrister	Etter hver grilløkt	Brenn av overflødheter, messingtrådbørste
Flammegrill	Etter hver 5.-6. grilløkt	Skrap hovedplaten med glider, <b>ikke vask ren</b>
Fronthylle	Etter hver grilløkt	Skurepute og såpevann
Fettbøtte	Etter hver grilløkt	Skurepute og såpevann
Navmatesystem	Når pelletsposen er tom	La navet skyvet ut sagflis til beholderen er tom
Elektriske komponenter i beholderen	Én gang i året	Tørk støv innvendig, tørk av viftebladene med såpevann
Luftinntaksventil	Etter hver 5.-6. grilløkt	Tørk støv, skurepute og såpevann
Temperatursonde	Etter hver 2.-3. grilløkt	Skurepute og såpevann

## TIPS OG TEKNIKKER

Følg disse nyttige tipsene og teknikkene fra eiere av Pit Boss®-enheter, våre ansatte og kunder som deg, for å gjøre deg bedre kjent med grillen:

### 1. MATTRYGGHET

- Holdt alt rent på kjøkkenet og i tilberedningsområdet. Bruk andre tallerkener og redskaper til det ferdige kjøttet enn det du brukte til å tilberede eller flytte det rå kjøttet ut til grillen med. Dette hindrer kryssforurensning av bakterier. Hver enkelt marinade eller glassering må ha sitt eget redskap.
- Hold den varme maten varm (over 60 °C/140 °F), og hold den kalde maten kald (under 3 °C/37 °F).
- En marinade må aldri oppbevares for senere bruk. Hvis du også skal servere den til kjøttet, må du passe på å koke den opp før servering.
- Tilberedt mat må ikke stå ute i varmen i over én time. Ikke la kald mat stå uten kjøling i over to timer.
- Tin og mariner kjøtt gjennom kjøling. Ikke tin kjøtt i romtemperatur eller på kjøkkenbenken. Bakterier kan vokse og formere seg raskt i varm, fuktig mat. Vask hendene grundig med varmt såpevann før du begynner å lage mat, og etter at du har håndtert ferskt kjøtt, fisk og fjærkre.

### 2. FORBEREDELSE TIL TILBEREDNING

- Gjør alt klart, også kalt **Mise en Place**. Det betyr at du henter oppskriften, drivstoff, tilbehør, redskaper og alle ingrediensene du trenger ved grillen, før du begynner å tilberede maten. Les også hele oppskriften fra start til slutt før du tenner grillen.
- En grillmatte på gulvet er veldig nyttig. Den kan beskytte terrassegulvet, hellene eller flisene mot mulige fettflekker eller utilsiktet søl som skyldes uhell ved håndteringen av matvarene og spruting fra tilberedningen.

### 3. TIPS OG TEKNIKKER FOR GRILLING

- Du kan tilføre mer røyksmak ved å tilberede det lenger på lavere temperatur (også kalt **lavt og sakte**). Fibrene i kjøttet lukkes når den innvendige temperaturen når 49 °C/120 °F. Glassering, eller fuktighetstilføring, er lurt for å unngå at kjøttet blir tørt.
- Ha lokket på når du steker kjøttet. Bruk alltid et steketermometer til å fastsette den innvendige temperaturen i maten du tilbereder. Røyking av mat med pellets av hardtre gjør at kjøtt og fjærkre blir rosa. Dette rosa båndet (etter tilberedning) kalles en **røykering** og er blir satt svært stor pris på av utendørskokker.
- Det er best å påføre sukkerbaserte sauser mot slutten av tilberedningen for å unngå at kjøttet blir brent, og for å unngå oppflaming.
- La det være et åpent område mellom maten og ytterkantene av sylindren for riktig varmeflyt. Hvis maten ligger tett på grillen, tar tilberedningen lengre tid.
- Bruk en tang med langt håndtak til å snu kjøttet, og bruk en stekespatte til å snu hamburgere og fisk. Hvis du bruker et redskap med tagger, for eksempel en gaffel, lager du hull i kjøttet som gjør at saften renner ut.
- Mat i dype gryter krever lengre tilberedningstid enn et lavt stekebrett.
- Det er lurt å legge ferdig tilberedt mat på en varm tallerken, slik at maten holder seg varm. Rødt kjøtt, for eksempel biffer og steiker, kan med fordel hvile noen minutter før servering. Dette gjør at saften som ble ført mot overflaten av varmen, trekker seg tilbake til midten av kjøttet og tilfører mer smak.

# FEILSØKING

Riktig rengjøring, vedlikehold og bruk av rent, tørt drivstoff av god kvalitet forhindrer vanlige driftsproblemer. Når Pit Boss®-grillen fungerer dårlig, eller brukes sjelden, kan feilsøkingstipsene nedenfor være nyttige.

Du finner vanlige spørsmål på [www.pitboss-grills.com](http://www.pitboss-grills.com). Du kan også kontakte den lokale autoriserte Pit Boss®-forhandleren eller kundeservice hvis du trenger hjelp.

**ADVARSEL: Koble alltid fra den elektriske ledningen før du åpner grillen for inspeksjon, rengjøring, vedlikehold eller service. Pass på at grillen er helt nedkjølt, slik at du unngår skader.**

PROBLEM	ÅRSAK	LØSNING
Ingen lys på kontrollpanelet	Temperaturkontrollknoten er fortsatt av.	Trykk på av/på-knappen, og kontroller at knappen lyser blått. Dette viser at strømmen er tilkoblet. Vri temperaturkontrollknoten til en temperaturinnstilling.
	Ikke koblet til strømkilde	Sørg for at enheten er koblet til en fungerende strømkilde. Nullstill bryteren. Sørg for at GFCI er minimum 10 amp (se <b>diagrammet over elektriske ledninger</b> for tilgang til elektriske komponenter). Kontroller at alle ledningstilkoblinger er faste og tørre.
	Sikring gått på kontrollpanelet	Fjern tilgangspanelet på beholderen (se <b>diagrammet over elektriske ledninger</b> for oversikt), trykk inn plastflikene som holder kontrollpanelet på plass, og trekk kontrolleren forsiktig inn i beholderen for å frigjøre kontrolleren. Kontroller om sikringen har en ødelagt ledning, eller om ledningen har blitt svart. Hvis svaret er ja, må sikringen byttes ut manuelt.
	GFCI-uttaket er utløst.	Fjern tilgangspanelet på beholderen (se <b>diagrammet over elektriske ledninger</b> for oversikt), og se etter skader på ledningene til temperatursonden. Kontroller at GFCI er minimum 10 amp.
	Kontrollpanelet fungerer ikke	Kontrollpanelet må byttes ut. Kontakt kundeservice for reservedeler.
Ildgryten antennes ikke	Navet er ikke grunnet	Før enheten brukes for første gang eller hver gang beholderen tømmes helt, må navet grunnes for at pellets skal fylle navrøret. Hvis det ikke grunnes, blir tenneren tidsavbrutt før pelletsen når ildgryten. Følg <b>prosedyren for grunning av beholderen</b> .
	Navmotoren står fast	Ta ut tilberedningskomponentene fra hovedsylinderen. Trykk på av/på-knappen for å slå på enheten, og vri temperaturkontrollknoten til posisjonen SMOKE. Undersøk navmatesystemet. Kontroller visuelt at navet slipper pellets ned i ildgryten. Hvis det ikke fungerer som det skal, ringer du kundeservice for å få hjelp eller en reservedel.
	Feil i tenner	Ta ut tilberedningskomponentene fra hovedsylinderen. Trykk på av/på-knappen for å slå på enheten, og vri temperaturkontrollknoten til posisjonen SMOKE. Undersøk tenneren. Kontroller visuelt at tenneren fungerer ved å holde hånden over ildgryten og kjenne om det er varmt der. Kontroller visuelt at tenneren stikker ca. 13 mm /0,5 tomme inn i ildgryten. Hvis den ikke fungerer som den skal, følger du <b>prosedyren for manuell oppstart</b> for å fortsette å bruke grillen. Ring kundeservice for å få hjelp eller bestille en reservedel.
Blinkende punkter på LCD-skjermen	Tenneren er på	Dette er ikke en feil som påvirker grillen. Brukes til å vise at enheten har strøm og er i oppstartsmodus (tenneren er på). Tenneren slår seg av etter fem minutter. Når de blinkende punktene forsvinner, begynner grillen å justere seg til valgt temperatur.
Blinkende temperatur på LCD-skjermen	Grilltemperaturen er under 65 °C / 150 °F	Dette er ikke en feil som påvirker enheten. Det brukes imidlertid for å vise at det er fare for at ilden kan slukne. Kontroller at det er tilstrekkelig drivstoff i beholderen, eller se om det er en hindring i matesystemet. Ta ut pelletsen, og følg instruksjonene <b>for stell og vedlikehold</b> . Kontroller grilltemperatursonden, og følg instruksjonene <b>for stell og vedlikehold</b> hvis den er skitten. Kontroller om det har hopet seg opp aske i ildgryten, eller om det er hindringer der, og følg instruksjonene <b>for stell og vedlikehold</b> hvis det er tilfellet. Kontroller viften. Kontroller at den fungerer som den skal, og at luftinntaket ikke er blokkert. Følg instruksjonene <b>for stell og vedlikehold</b> hvis den er skitten. Kontroller navmotoren for å bekrefte at den fungerer (roterer), og pass på at det ikke er noen blokkering i navrøret.

Feilkoden "ErH"	Enheten er overopphetet, kanskje på grunn av fettbrann eller for mye drivstoff.	Trykk på av/på-knappen for å slå av enheten, og la grillen kjøle seg ned. Følg instruksjonene for <b>stell og vedlikehold</b> . Etter vedlikehold tar du ut pelletsen og kontrollerer plasseringen av alle komponentdelene. Når grillen er kjølig, trykker du på av/på-knappen for å slå på enheten. Velg deretter ønsket temperatur. Kontakt kundeservice hvis feilkoden fortsatt vises.
Feilkoden "Er1"	Ledningen til temperatursonden får ikke kontakt.	Fjern tilgangspanelet på beholderen (se <b>diagrammet over elektriske ledninger</b> for oversikt), og se etter skader på ledningene til temperatursonde. Kontroller at molex-kontaktene på temperatursonden er fast tilkoblet, og riktig tilkoblet, til kontrollpanelet.
Feilkoden "ErP"	Enheten ble ikke slått av på riktig måte forrige gang den var koblet til strøm.	Sikkerhetsfunksjonen forhindrer automatisk omstart. Trykk på av/på-knappen for å slå av enheten, vent i to minutter, og trykk deretter på av/på-knappen på nytt for å slå på enheten. Vri temperaturkontrollknotten til SMOKE eller ønsket temperatur. Kontakt kundeservice hvis feilkoden fortsatt vises.
	Strømbrudd mens enheten var i bruk.	
Feilkoden "noP"	Feil tilkobling i tilkoblingsporten	Koble steketermometeret fra tilkoblingsporten på kontrollpanelet, og koble det til på nytt. Sørg for at steketermometeradapteren er fast tilkoblet. Se etter tegn på skader på enden av adapteren. Kontakt kundeservice for reservedeler hvis det fortsatt ikke fungerer.
	Skadet steketermometer	Se etter tegn på skader på ledningene på steketermometeret. Kontakt kundeservice for reservedeler hvis det er skadet.
	Kontrollpanelet fungerer ikke	Kontrollpanelet må byttes ut. Kontakt kundeservice for reservedeler.
Grilltemperaturen for SMOKE er for høy	"P"-innstillingen er for LAV	Trykk på "P" SET-knappen, og øk "P"-innstillingen.
Grillen oppnår ikke stabil temperatur eller klarer ikke å opprettholde den	Utilstrekkelig luftstrøm gjennom ildgryten	Kontroller om det har hopet seg opp aske i ildgryten, eller om det er hindringer i den. Følg instruksjonene for <b>stell og vedlikehold</b> hvis det har hopet seg opp aske. Kontroller viften. Kontroller at den fungerer som den skal, og at luftinntaket ikke er blokkert. Følg instruksjonene for <b>stell og vedlikehold</b> hvis den er skitten. Kontroller navmotoren for å bekrefte at den fungerer, og pass på at det ikke er noen blokkering i navrøret. Når alle trinnene ovenfor er gjennomført, starter du grillen, setter temperaturen til SMOKE og venter i ti minutter. Kontroller at flammen som produseres, er klar og levende.
	Mangel på drivstoff, dårlig kvalitet på drivstoffet, hindring i matesystemet	Kontroller at det er nok drivstoff i beholderen, og fyll på hvis det er lite. Hvis kvaliteten på trepelletsen er dårlig, eller hvis pelletsen er for lang, kan det føre til hindringer i matesystemet. Ta ut pelletsen, og følg instruksjonene <b>for stell og vedlikehold</b> .
	Temperatursonde	Kontroller tilstanden til temperatursonden. Følg instruksjonene <b>for stell og vedlikehold</b> hvis den er skitten. Kontakt kundeservice for reservedeler hvis den er skadet.
Grillen produserer for mye eller misfarget røyk	Fettoppbygning	Følg instruksjonene <b>for stell og vedlikehold</b> .
	Kvalitet på trepellets	Fjern fuktige trepellets fra beholderen. Følg instruksjonene for stell og vedlikehold for å tømme den. Erstatt med tørre trepellets.
	Ildgryten er blokkert	<i>Fjern fuktige trepellets fra ildgryten. Følg prosedyren for grunning av beholderen.</i>
	Utilstrekkelig luftinntak for vifte	<i>Kontroller viften. Kontroller at den fungerer som den skal, og at luftinntaket ikke er blokkert. Følg instruksjonene for stell og vedlikehold hvis den er skitten.</i>
Hyppig oppflaming	Steketemperatur	Forsøk å tilberede på lavere temperatur. Fett har ikke noe flammepunkt. Hold temperaturen under 176 °C / 350 °F når du tilbereder mat med mye fett.
	Fettoppbygning i tilberedningskomponenter	Følg instruksjonene for <b>stell og vedlikehold</b> .



# DIAGRAM OVER ELEKTRISKE LEDNINGER

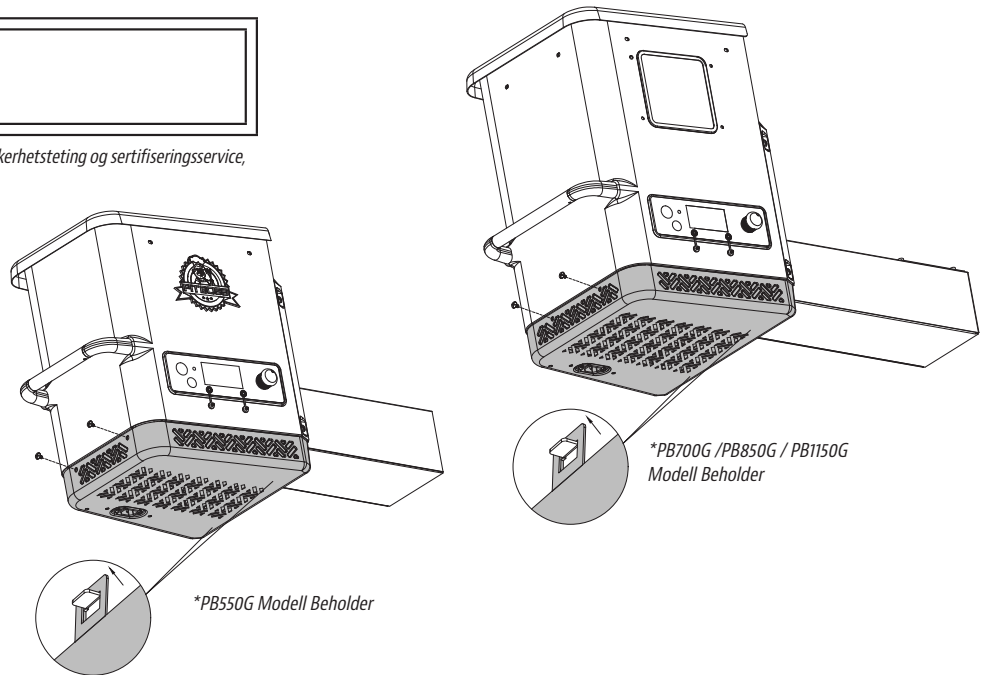
Det digitale kontrollpanelsystemet består av intrikat og verdifull teknologi. Du kan beskytte det mot strømstøt og elektrisk kortslutning ved å sjekke ledningsdiagrammet nedenfor og passe på at strømkilden du bruker, er tilstrekkelig for bruk av enheten.

## PB – ELEKTRISKE KRAV 220-240 V, 50 Hz, 250 W, JORDET PLUGG

MERK: Elektriske komponenter, som har gjennomgått produksikkerhetstesting og sertifiseringservice, overholder en testtoleranse på ± 5-10 prosent.

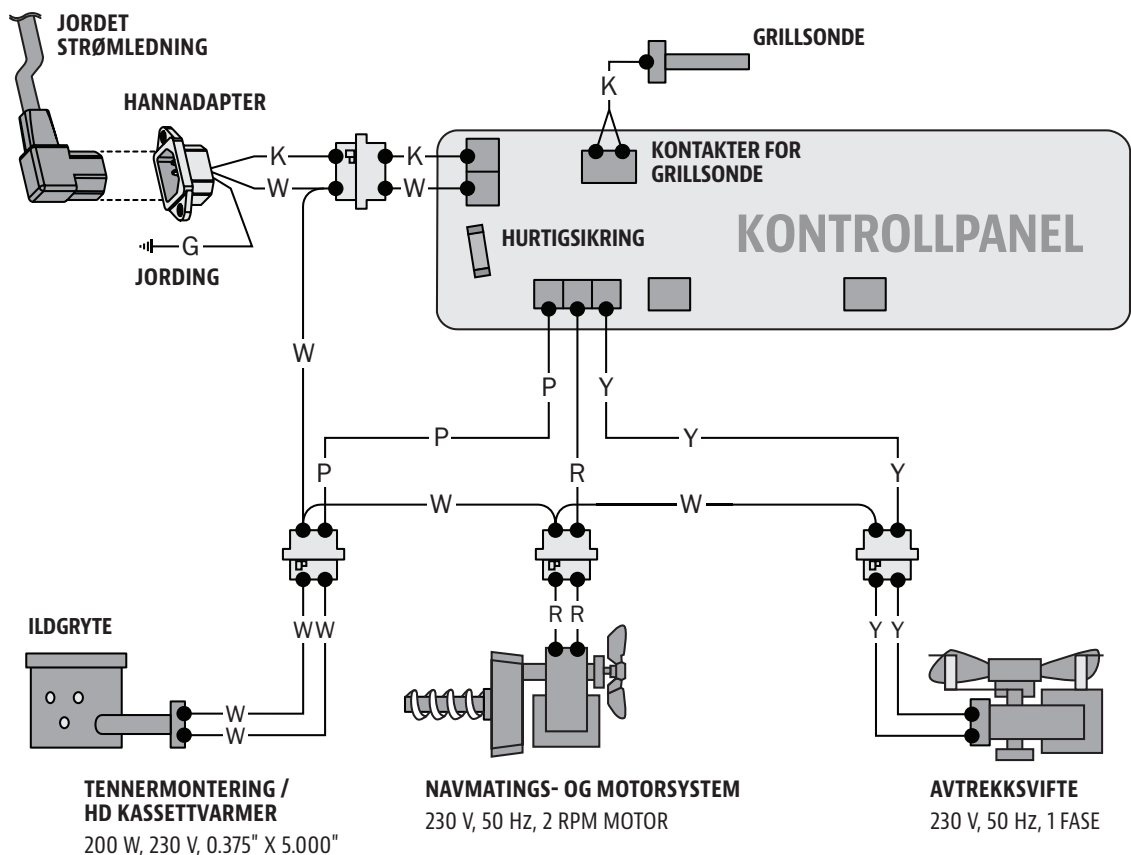
FINN OG LØSNE DE TO SKRUENE PÅ TILGANGSPANELET PÅ SIDEN AV BEHOLDEREN.

SLIPP NEDRE BEHOLDERPANEL NED OG SKYV TILBAKE FOR Å TA UT FRA FLIKEN.



RANGERING FOR DRIVST-OFFINNTAK:  
2 KG/T  
(4,4 PUND/T)

INDEKS  
W: HVIT  
Y: GUL  
P: LILLA  
R: RØD  
K: SVART  
G: GRØNN



NO

NORSK

# RESERVEDELER FOR GRILL MODELL PB550G

Delenr	Beskrivelse
1-A	Lokkstopper (x1)
2-A	Lokkhåndtak (x1)
3-A	Skruerammer for lokkhåndtak (x2)
4-A	Hovedsylinder (x1)
5-A	Beholdermontering (x1)
6-A	Justeringsstang for flammegrillen (x1)
7-A	Håndtak til justeringsstang for flammegrillen (x1)
8-A	Skyveplate for flammegrill (x1)
9-A	Hovedplate for flammegrill (x1)
10-A	Venstre bein foran (x1)
11-A	Venstre bein bak (x1)
12-A	Høyre bein foran (x1)
13-A	Høyre bein bak (x1)
14-A	Justeringsstykke venstre bein fremme (x1)
15-A	Justeringsstykke venstre bein bak (x1)
16-A	Hjul (x2)
17-A	Høyre støtteplate nede (x1)
18-A	Venstre støtteplate nede (x1)
19-A	Kort støtteplate (x2)

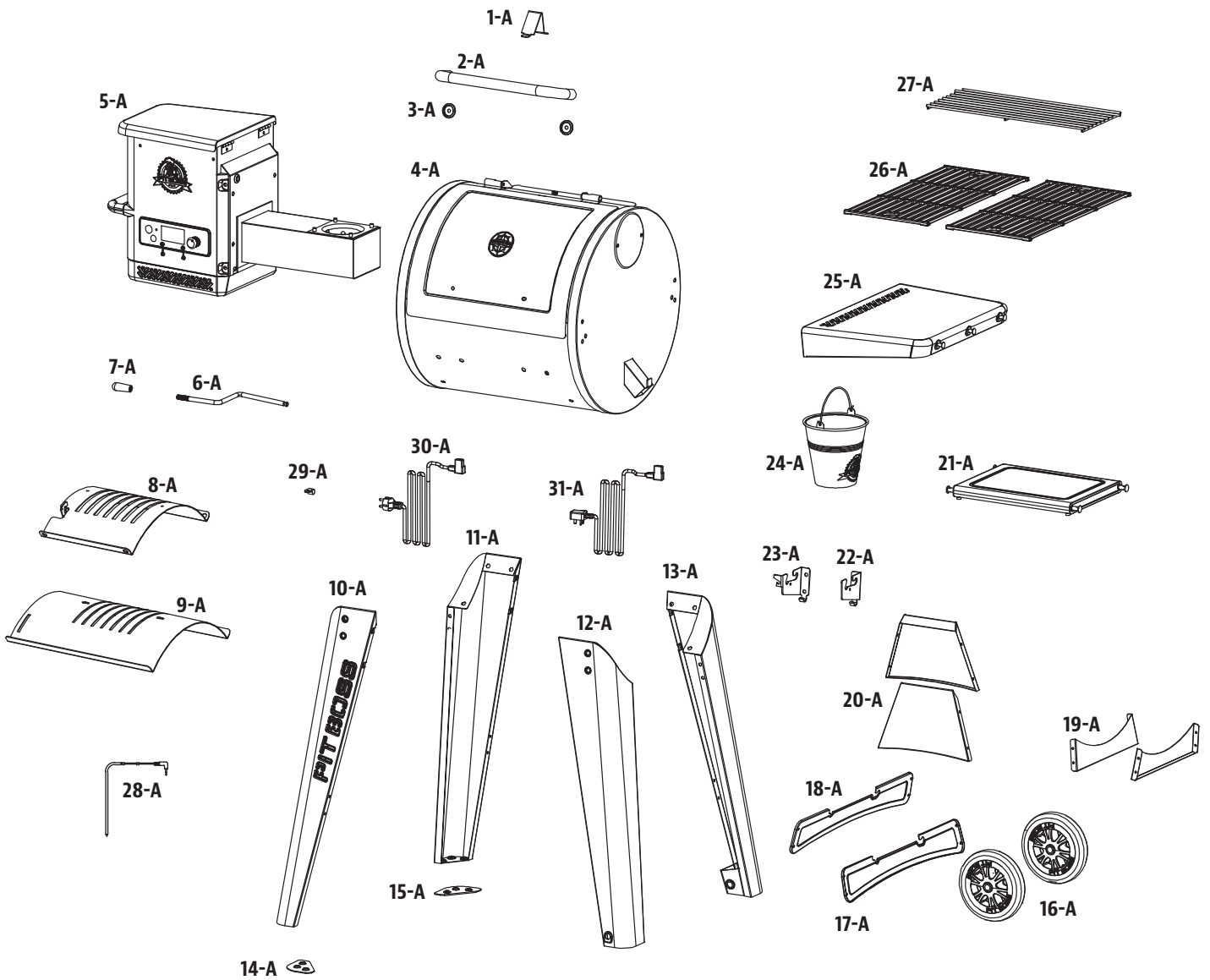
Delenr	Beskrivelse
20-A	Fremre/bakre lang støtteplate (x2)
21-A	Fronthylle (x1)
22-A	Høyre brakett for fronthylle (x1)
23-A	Venstre brakett for fronthylle (x1)
24-A	Fettbøtte (x1)
25-A	Høyre sidebord (x1)
26-A	Tilberedningsrist (x2)
27-A	Varmestativ (x1)
28-A	Steketermometer (x1)
29-A	Strømledningsklips (x1)
30-A	Strømledning – F-plugg (x1)
31-A	Strømledning – G-plugg (x1)
A	Skruer (x18)
B	Skiver (x18)
C	Låseskiver (x18)
D	Skruer (x30)
E	Hjulakselpinner (x2)
F	Hjulsaksespinter (x2)
G	Hjulskiver (x2)

MERK: På grunn av kontinuerlig produktutvikling kan delene endres uten forvarsel.

Illustrasjonsdiagram på neste side.

MODELL	MONTERT ENHET (B x H x D)	EN-HETSVEKT	TILBEREDNINGSSOMRÅDE	TEMP. OMRÅDE	DIGITALE FUNKSJONER
PB PB550G	1227mm x 1195mm x 868mm / 48,3" x 47" x 34,17"	55,7 kg / 122,8 pund	Hoved - 2580,6 cm <sup>2</sup> / 400 kvadrattommer Øvre stativ - 920 cm <sup>2</sup> / 142,6 kvadrattommer <b>TOTALT - 3500,6 cm<sup>2</sup> / 542,6 kvadrattommer</b>	82-260°C / 180-500°F	Ti forhåndsinnstilte temperaturer, oppstarts- og avkjølingssykluser, elektrisk tenner

# RESERVEDELER FOR GRILL MODELL PB550G



NORSK  
NO

# RESERVEDELER FOR GRILL MODELL PB700G

Delenr	Beskrivelse
1-A	Lokkstopper (x1)
2-A	Lokkhåndtak (x1)
3-A	Skruerammer for lokkhåndtak (x2)
4-A	Hovedsylinder (x1)
5-A	Beholdermontering (x1)
6-A	Justeringsstang for flammegrillen (x1)
7-A	Håndtak til justeringsstang for flammegrillen (x1)
8-A	Skyveplate for flammegrill (x1)
9-A	Hovedplate for flammegrill (x1)
10-A	Venstre bein foran (x1)
11-A	Venstre bein bak (x1)
12-A	Høyre bein foran (x1)
13-A	Høyre bein bak (x1)
14-A	Justeringsstykke venstre bein fremme (x1)
15-A	Justeringsstykke venstre bein bak (x1)
16-A	Hjul (x2)
17-A	Høyre støtteplate nede (x1)
18-A	Venstre støtteplate nede (x1)
19-A	Kort støtteplate (x2)
20-A	Fremre lang støtteplate (x1)

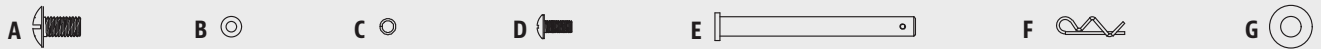
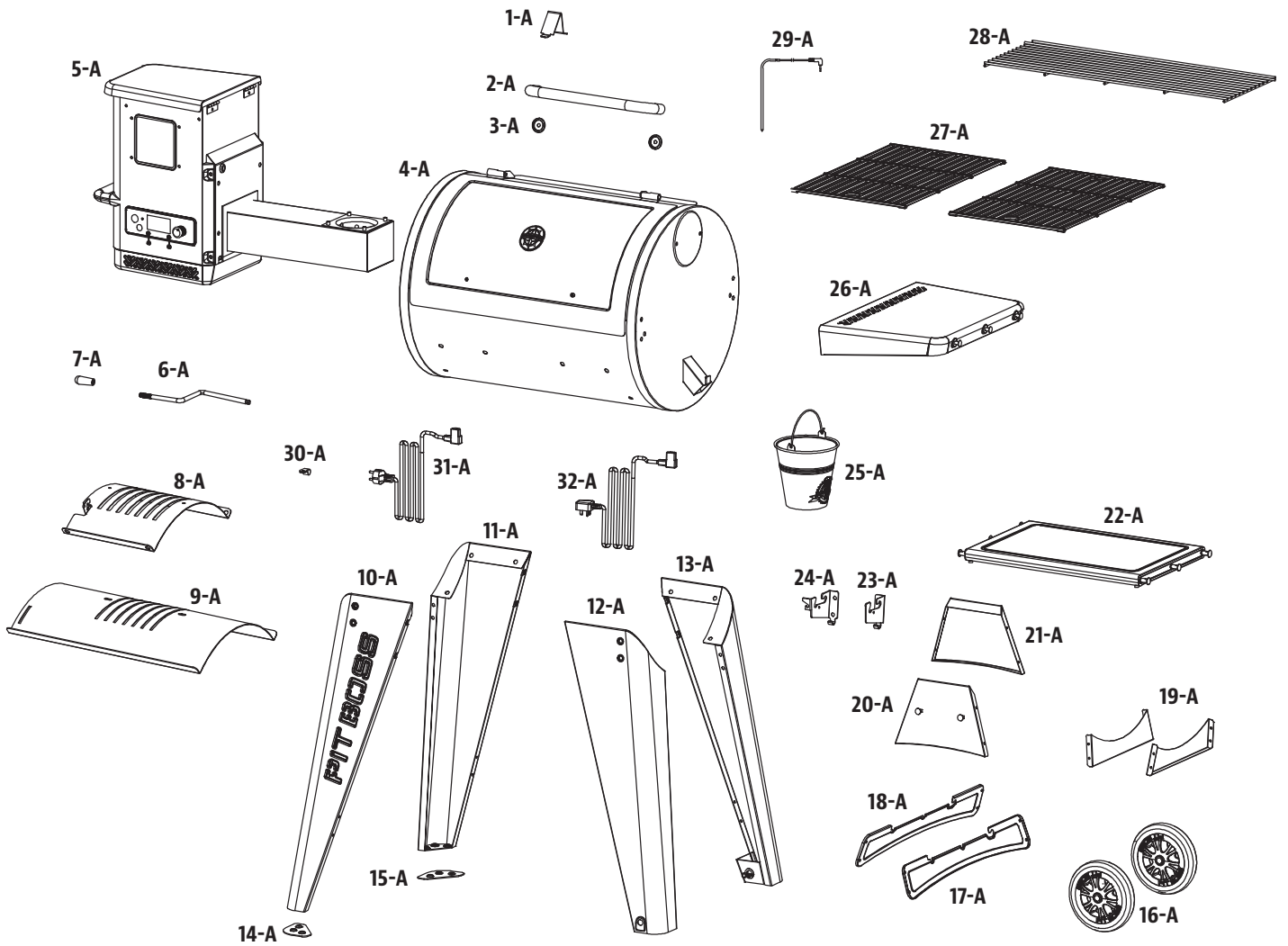
Delenr	Beskrivelse
21-A	Bakre lang støtteplate (x1)
22-A	Fronthylle (x1)
23-A	Høyre brakett for fronthylle (x1)
24-A	Venstre brakett for fronthylle (x1)
25-A	Fettbøtte (x1)
26-A	Høyre sidebord (x1)
27-A	Tilberedningsrist (x2)
28-A	Varmestativ (x1)
29-A	Steketermometer (x1)
30-A	Strømledningsklips (x1)
31-A	Strømledning - F-plugg (x1)
32-A	Strømledning - G-plugg (x1)
A	Skruer (x18)
B	Skiver (x18)
C	Låseskiver (x18)
D	Skruer (x30)
E	Hjulakselpinner (x2)
F	Hjulsaksespinter (x2)
G	Hjulskiver (x2)

MERK: På grunn av kontinuerlig produktutvikling kan delene endres uten forvarsel.

Illustrasjonsdiagram på neste side.

MODELL	MONTERT ENHET (B x H x D)	EN- HETSVEKT	TILBEREDNINGSSOMRÅDE	TEMP. OMRÅDE	DIGITALE FUNKSJONER
PB PB700G	1388mm x 1195mm x 940mm / 54,6" x 47" x 37"	66,5 kg / 146,61 pund	Hoved - 3109 cm <sup>2</sup> / 482 kvadrattommer Øvre stativ - 1341 cm <sup>2</sup> / 208 kvadrattommer <b>TOTALT - 4450 cm<sup>2</sup> / 690 kvadrattommer</b>	82-260°C / 180-500°F	Ti forhåndsinnstilte temperaturer, oppstarts- og avkjølingssykluser, elektrisk tenner

# RESERVEDELER FOR GRILL MODELL PB700G



# RESERVEDELER FOR GRILL MODELL PB850G

Delnr	Beskrivelse
1-A	Lokkstopper (x1)
2-A	Lokkhåndtak (x1)
3-A	Skruerammer for lokkhåndtak (x2)
4-A	Hovedsylinder (x1)
5-A	Beholdermontering (x1)
6-A	Justeringsstang for flammegrillen (x1)
7-A	Håndtak til justeringsstang for flammegrillen (x1)
8-A	Skyveplate for flammegrill (x1)
9-A	Hovedplate for flammegrill (x1)
10-A	Venstre bein foran (x1)
11-A	Venstre bein bak (x1)
12-A	Høyre bein foran (x1)
13-A	Høyre bein bak (x1)
14-A	Justeringsstykke venstre bein fremme (x1)
15-A	Justeringsstykke venstre bein bak (x1)
16-A	Dreielig hjul med brems (x2)
17-A	Hjul (x2)
18-A	Høyre støtteplate nede (x1)
19-A	Venstre støtteplate nede (x1)
20-A	Kort støtteplate (x2)
21-A	Fremre lang støtteplate (x1)

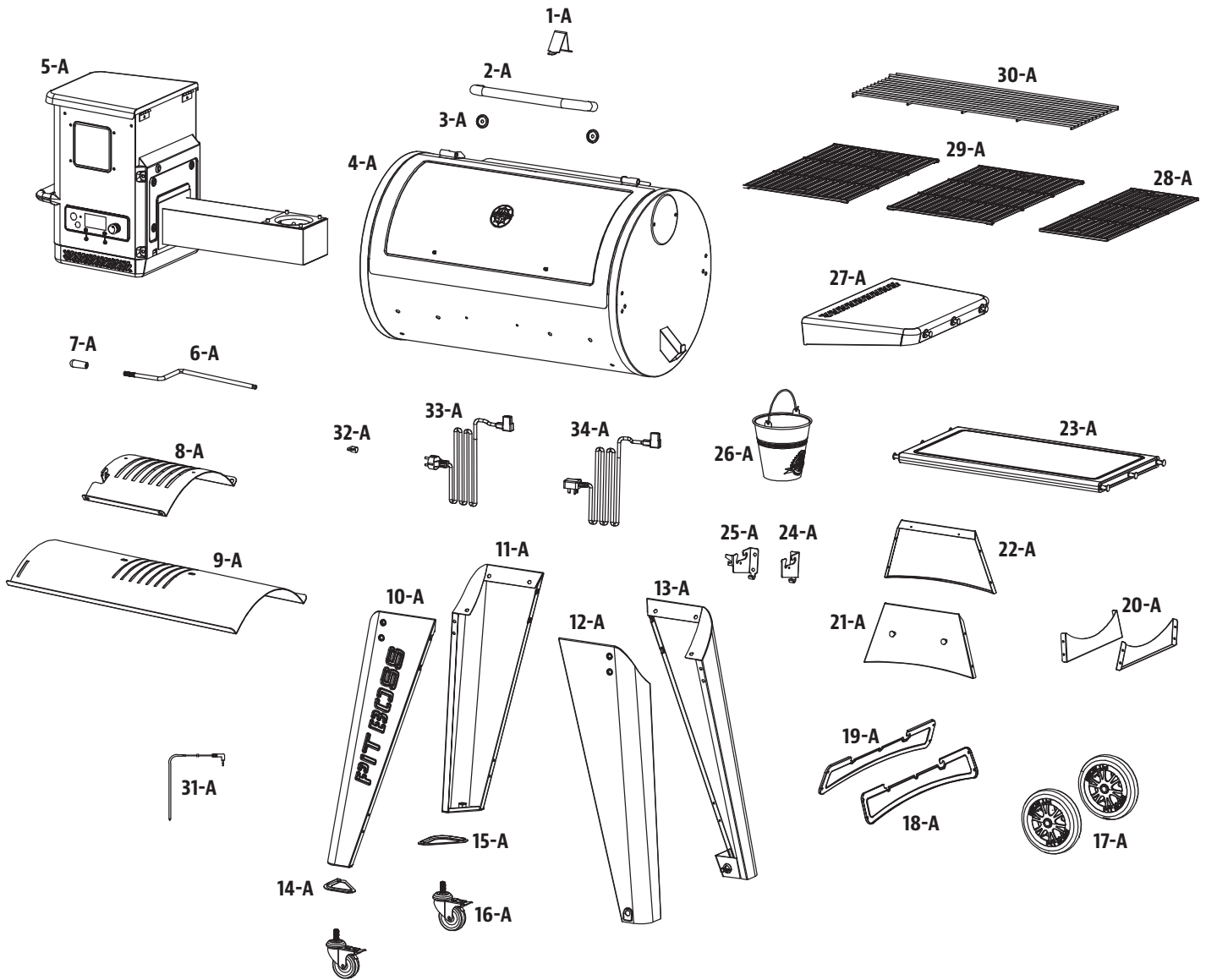
Delnr	Beskrivelse
22-A	Bakre lang støtteplate (x1)
23-A	Fronthylle (x1)
24-A	Høyre brakett for fronthylle (x1)
25-A	Venstre brakett for fronthylle (x1)
26-A	Fettbøtte (x1)
27-A	Høyre sidebord (x1)
28-A	Stekerist A (x1)
29-A	Stekerist B (x2)
30-A	Varmestativ (x1)
31-A	Steketermometer (x1)
32-A	Strømledningsklips (x1)
33-A	Strømledning - F-plugg (x1)
34-A	Strømledning - G-plugg (x1)
A	Skruer (x18)
B	Skiver (x18)
C	Låseskiver (x18)
D	Skruer (x30)
E	Skruer (x4)
F	Hjulakselpinner (x2)
G	Hjulsaksespinter (x2)
H	Hjulskiver (x2)

MERK: På grunn av kontinuerlig produktutvikling kan delene endres uten forvarsel.

Illustrasjonsdiagram på neste side.

MODELL	MONTERT ENHET (B x H x D)	EN- HETSVEKT	TILBEREDNINGSSOMRÅDE	TEMP. OMRÅDE	DIGITALE FUNKSJONER
PB PB850G	1472mm x 1195mm x 940mm / 57,9" x 47" x 37"	74,5kg / 164,24 pund	Hoved - 3825,8 cm <sup>2</sup> / 593 kvadrattommer Øvre stativ - 1845,2 cm <sup>2</sup> / 286 kvadrattommer <b>TOTALT - 5671 cm<sup>2</sup> / 879 kvadrattommer</b>	82-260°C / 180-500°F	Ti forhåndsinnstilte temperaturer, oppstarts- og avkjølingssykluser, elektrisk tenner

# RESERVEDELER FOR GRILL MODELL PB850G



NORSK  
NO

# RESERVEDELER FOR GRILL MODELL PB1150G

Delnr	Beskrivelse
1-A	Lokkstopper (x1)
2-A	Lokkhåndtak (x1)
3-A	Skruerammer for lokkhåndtak (x2)
4-A	Hovedsylinder (x1)
5-A	Beholdermontering (x1)
6-A	Justeringsstang for flammegrillen (x1)
7-A	Håndtak til justeringsstang for flammegrillen (x1)
8-A	Skyveplate for flammegrill (x1)
9-A	Hovedplate for flammegrill (x1)
10-A	Venstre bein foran (x1)
11-A	Venstre bein bak (x1)
12-A	Høyre bein foran (x1)
13-A	Høyre bein bak (x1)
14-A	Justeringsstykke venstre bein fremme (x1)
15-A	Justeringsstykke venstre bein bak (x1)
16-A	Dreielig hjul med brems (x2)
17-A	Hjul (x2)
18-A	Høyre støtteplate nede (x1)
19-A	Venstre støtteplate nede (x1)
20-A	Kort støtteplate (x2)
21-A	Fremre lang støtteplate (x1)
22-A	Bakre lang støtteplate (x1)

Delnr	Beskrivelse
23-A	Fronthylle (x1)
24-A	Spreaderplate (x1)
25-A	Høyre brakett for fronthylle (x1)
26-A	Venstre brakett for fronthylle (x1)
27-A	Fettbøtte (x1)
28-A	Høyre sidebord (x1)
29-A	Stekerist A (x1)
30-A	Stekerist B (x2)
31-A	Varmestativ (x1)
32-A	Steketermometer (x2)
33-A	Strømledningsklips (x1)
34-A	Strømledning - F-plugg (x1)
35-A	Strømledning - G-plugg (x1)
A	Skruer (x18)
B	Skiver (x18)
C	Låseskiver (x18)
D	Skruer (x30)
E	Skruer (x6)
F	Hjulakselpinner (x2)
G	Hjulsaksespilner (x2)
H	Hjulskiver (x2)

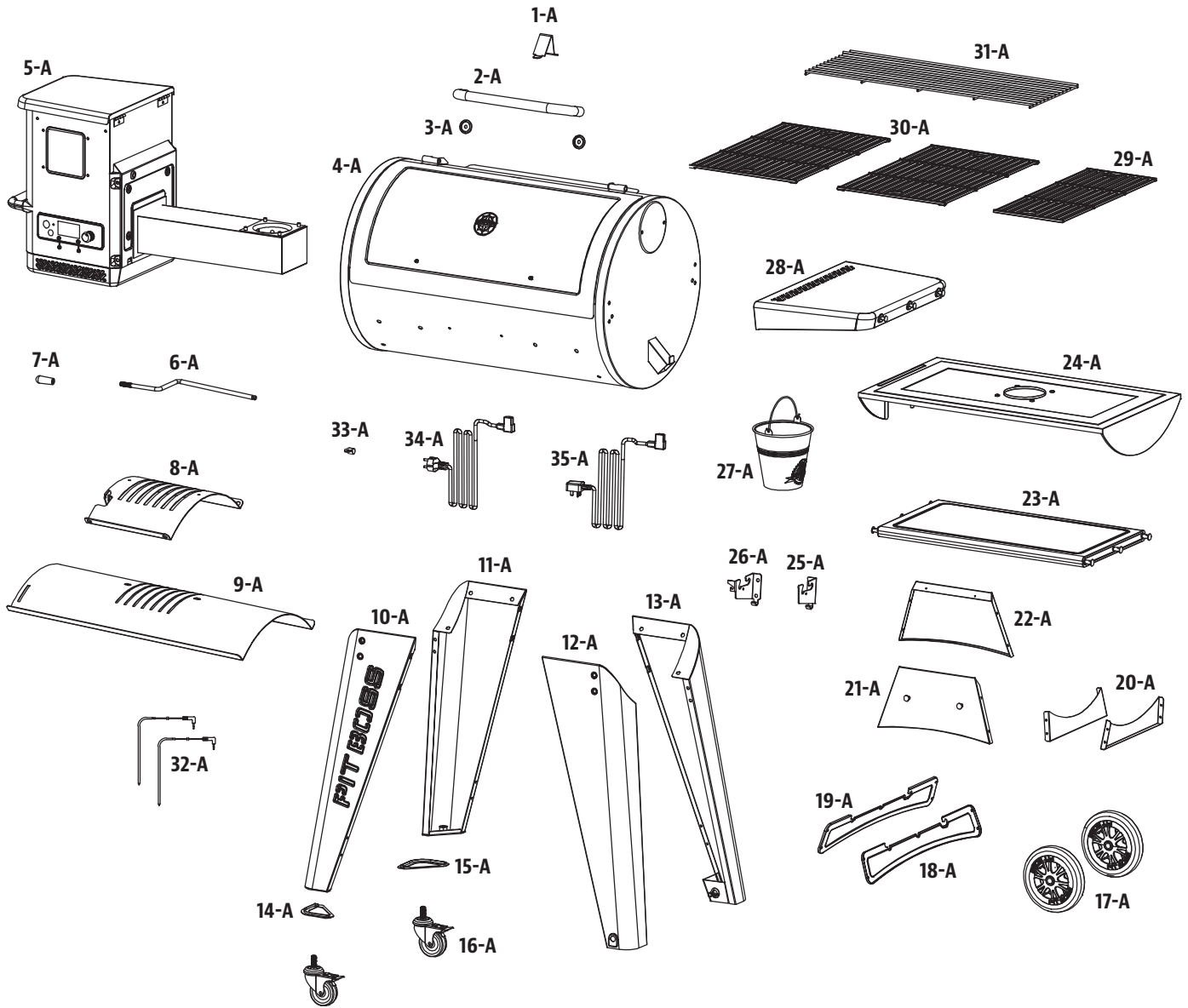
MERK: På grunn av kontinuerlig produktutvikling kan delene endres uten forvarsel.

Illustrasjonsdiagram på neste side.

MODELL	MONTERT ENHET (B x H x D)	EN- HETSVEKT	TILBEREDNINGSOMRÅDE	TEMP. OMRÅDE	DIGITALE FUNKSJONER
PB PB1150G	1622mm x 1195mm x 940mm / 63,86" x 47" x 37"	84 kg / 185,19 pund	Hoved - 4587,1 cm <sup>2</sup> / 711 kvadrattommer Øvre stativ - 2883,9 cm <sup>2</sup> / 447 kvadrattommer <b>TOTALT - 7471 cm<sup>2</sup> / 1158 kvadrattommer</b>	82-260°C / 180-500°F	Ti forhåndsinnstilte temperaturer, oppstarts- og avkjølingssykluser, elektrisk tenner



# RESERVEDELER FOR GRILL MODELL PB1150G



NO

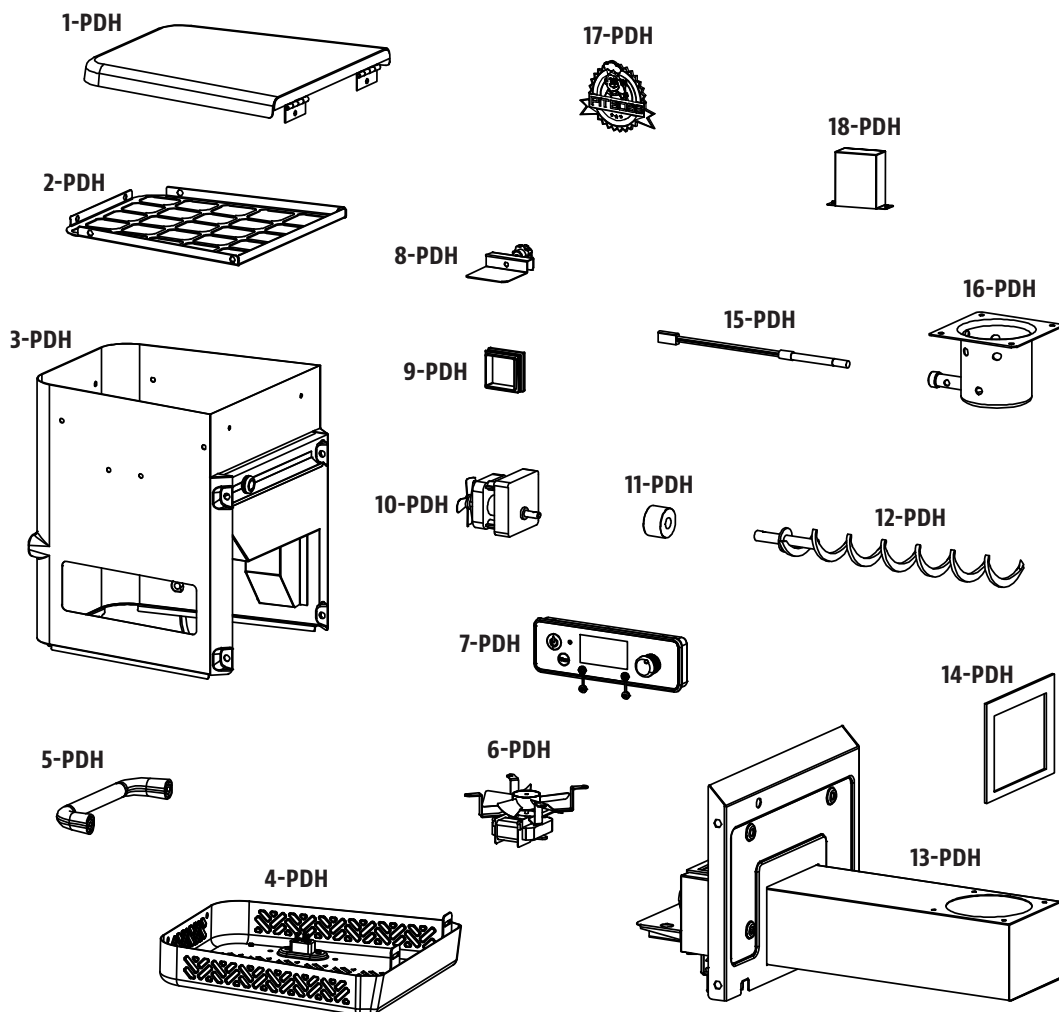
NORSK

# RESERVEDELER FOR GRILL MODELL PB550G BEHOLDER

Delenr	Beskrivelse
1-PDH	Beholderlokk (x1)
2-PDH	Sikkerhetsskjerm for beholder (x1)
3-PDH	Beholderhus (x1)
4-PDH	Tilgangspanel på beholder (x1)
5-PDH	Beholderhåndtak (x1)
6-PDH	Forbrenningsvifte (x1)
7-PDH	Pit Boss®-kontrollpanel (x1)
8-PDH	Plate for nedfallssjakt (x1)
9-PDH	Deksel for nedfallssjakt (x1)

Delenr	Beskrivelse
10-PDH	Navmotor (x1)
11-PDH	Nylonovergang (x1)
12-PDH	Navspiralmontering (x1)
13-PDH	Navhus (x1)
14-PDH	Pakning for beholderhus (x1)
15-PDH	Tenner (x1)
16-PDH	Ildgryte (x1)
17-PDH	Navneskilt (x1)
18-PDH	Vanntett deksel for strømledning (x1)

MERK: På grunn av kontinuerlig produktutvikling kan delene endres uten forvarsel.



NO

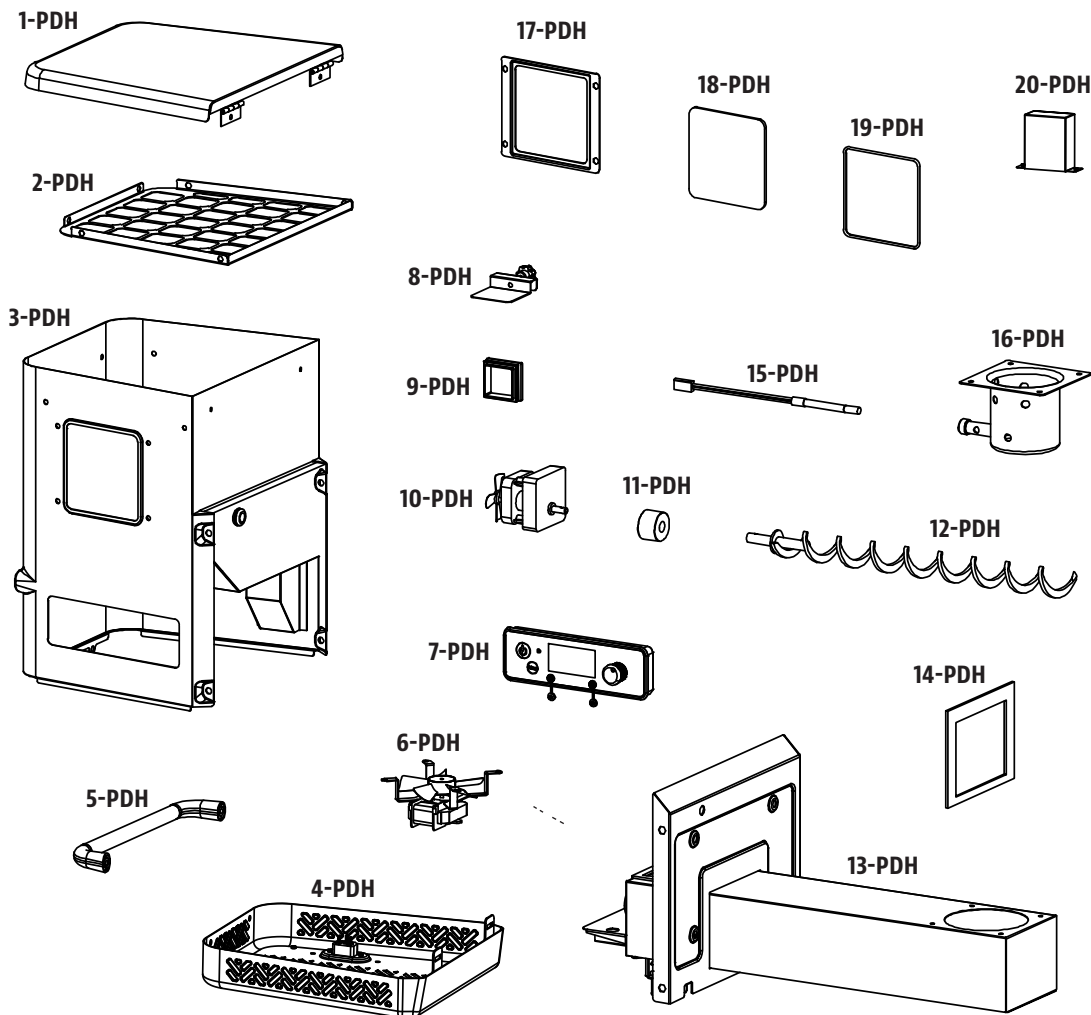
NORSK

# RESERVEDELER FOR BEHOLDER TIL GRILL MODELL PB700G / PB850G / PB1150G

Delenr	Beskrivelse
1-PDH	Beholderlokk (x1)
2-PDH	Sikkerhetsskjerm for beholder (x1)
3-PDH	Beholderhus (x1)
4-PDH	Tilgangspanel på beholder (x1)
5-PDH	Beholderhåndtak (x1)
6-PDH	Forbrenningsvifte (x1)
7-PDH	Pit Boss®-kontrollpanel (x1)
8-PDH	Plate for nedfallssjakt (x1)
9-PDH	Deksel for nedfallssjakt (x1)
10-PDH	Navmotor (x1)

Delenr	Beskrivelse
11-PDH	Nylonovergang (x1)
12-PDH	Navspiralmontering (x1)
13-PDH	Navhus (x1)
14-PDH	Pakning for beholderhus (x1)
15-PDH	Tenner (x1)
16-PDH	Ildgryte (x1)
17-PDH	Glassplate (x1)
18-PDH	Glass (x1)
19-PDH	Gummipakning (x1)
20-PDH	Vanntett deksel for strømledning (x1)

MERK: På grunn av kontinuerlig produktutvikling kan delene endres uten forvarsel.



NO

NORSK

# GARANTI

## VILKÅR

Alle griller med trepellets fra Pit Boss®, produsert av Dansons Inc., leveres med en begrenset garanti fra salgsdatoen fra den opprinnelige eieren. Garantidekningen starter på den opprinnelige kjøpsdatoen, og kjøpsbevis med dato, eller en kopi av den opprinnelige salgskvitteringen, kreves for at garantien skal være gyldig. Kunder må betale avgifter for deler, forsendelse og håndtering hvis de ikke kan levere kjøpsbevis, eller hvis garantien har utløpt.

Dansons gir en garanti på fem (5) år for defekter og utførelse for alle deler, og fem (5) år for elektriske komponenter. Dansons garanterer at alle deler er uten defekter i material og utførelse, så lenge den opprinnelige kjøperen eier og bruker enheten. Garantien gjelder ikke skader som skyldes slitasje, for eksempel riper, bulker, avskallinger eller mindre kosmetiske sprekker. Slike estetiske endringer i grillen har ikke innvirkning på ytelsen. Reparasjon eller erstatning av deler skjer ikke etter den begrensede garantien på fem (5) år fra kjøpsdatoen.

Dansons' forpliktelser i garantiperioden er begrenset til å levere en erstatningsdel for defekte og/eller sviktende komponenter. Så lenge garantien fortsatt er gyldig, krever ikke Danson betaling for reparasjon eller erstatning av deler som returneres, med forhåndsbetalt frakt, hvis Dansons undersøker dem og anser dem som defekte. Dansons har ikke ansvaret for transportavgifter, arbeidskostnader eller eksportgebyrer. Med unntak av det som er angitt i disse garantivilkårene, skal reparasjon eller erstatning av deler med metoden og innenfor tidsrammen som er nevnt her, regnes som at Danson har oppfylt alle utledede forpliktelser og ansvarsområder overfor deg.

Dansons tar alle forholdsregler for å bruke materialer som forsinker rust. Selv med disse tiltakene kan det hende at det beskyttende belegget blir skadet av ulike stoffer og forhold som er utenfor Dansons' kontroll. Høy temperatur, mye fuktighet, klor, industriell røyk, gjødsel, sprøytemidler for plen og salt er noen av stoffene som kan ha innvirkning på metallbelegg. Garantien dekker derfor ikke rust eller oksidering, med mindre grillkomponenten mister strukturell integritet. Hvis noen av forholdene ovenfor skulle oppstå, kan du se delen om stell og vedlikehold for å forlenge enhetens levetid. Dansons anbefaler bruk av et grilltrekk når grillen ikke er i bruk.

Denne garantien er basert på vanlig hjemmebruk og service av grillen, og dekningen av den begrensede garantien gjelder ikke for en grill som brukes i kommersielle sammenhenger.

## UNNTAK

Det finnes ingen skriftlig eller indirekte ytelsesgaranti for Pit Boss®-griller, ettersom produsenten ikke har noen kontroll over monteringen, bruken, rengjøringen, vedlikeholdet eller typen drivstoff som brukes. Denne garantien gjelder ikke, og Dansons tar ikke ansvaret, hvis enheten ikke er montert, brukt, rengjort og vedlikeholdt i nøye samsvar med denne brukerhåndboken. Bruk av gass som ikke er beskrevet i denne håndboken, kan gjøre garantien ugyldig. Garantien dekker ikke skader eller brudd som skyldes misbruk, feil håndtering eller modifikasjoner.

Verken Dansons eller den autoriserte Pit Boss®-forhandleren har noe juridisk ansvar eller andre typer ansvar for tilfeldige skader eller følgeskader på eiendom eller personer som oppstår på grunn av bruk av dette produktet. Uansett om det legges inn et krav mot Dansons som er basert på brudd på denne garantien eller andre typer garantier som er uttrykt eller underforstått i lover og regler, har produsenten ikke noe ansvar for eventuelle spesielle skader, indirekte skader, følgeskader eller andre typer skader av hvilken som helst art utover det opprinnelige kjøpet av dette produktet. Alle garantier fra produsenten er angitt her, og det kan ikke legges inn krav mot produsenten om andre garantier eller fremstillinger.

Enkelte delstater eller land tillater ikke utelukkelse eller begrensning av tilfeldige skader eller følgeskader, eller begrensninger av indirekte garantier, så begrensningene eller utelukkelsene i denne begrensede garantien gjelder kanskje ikke for deg. Denne begrensede garantien gir deg spesifikke juridiske rettigheter, og du kan ha andre rettigheter, som varierer i ulike delstater og land.

## BESTILLE RESERVEDELER

Hvis du vil bestille reservedeler, kontakter du den lokale Pit Boss®-forhandleren eller går til nettbutikken vår på: [www.pitboss-grills.com](http://www.pitboss-grills.com)

## KONTAKTE KUNDESERVICE

Hvis du har spørsmål eller problemer kan du kontakte kundeservice mandag til og med søndag, 04.00–20.00 PST (EN/FR/ES).  
[service@pitboss-grills.com](mailto:service@pitboss-grills.com) | Avgiftsfritt telefonnummer: 1-877-303-3134 | Avgiftsfritt faksnummer: 1-877-303-3135

## GARANTISERVICE

Kontakt den nærmeste Pit Boss®-forhandleren for reparasjon eller reservedeler. Dasons Inc. krever kjøpsbevis for å etablere et garantikrav. Behold derfor den opprinnelige salgskvitteringen eller fakturaen for fremtidig referanse. Serie- og modellnummeret for Pit Boss®-enheten er plassert på baksiden av beholderen. Noter deg numrene nedenfor, ettersom etiketten kan bli slitt og uleselig.

---

MODELL

---

SERIENUMMER

---

KJØPSDATO

---

AUTORISERT FORHANDLER

NO

NORSK

# INFORMACJE DOTYCZĄCE BEZPIECZEŃSTWA

**GŁÓWNYMI PRZYCZYNAMI POŻARÓW URZĄDZEŃ ELEKTRYCZNYCH JEST ZANIEDBANIE CZYNNOŚCI KONSERWACYJNYCH ORAZ NIEZACHOWANIE ODPOWIEDNIEJ ODLEGŁOŚCI OD MATERIAŁÓW ZAPALNYCH. NIEZWYKLE WAŻNE JEST, ABY PRODUKT TEN BYŁ UŻYTKOWANY WYŁĄCZNIE W OPARCIU O ZALECENIA INSTRUKCJI.**

Przed przystąpieniem do montażu, obsługi i instalacji urządzenia należy dokładnie zapoznać się z całą niniejszą instrukcją. Zapewni to przyjemną i bezproblemową obsługę nowego grilla na pellet drzewny. Zalecamy także zachowanie niniejszej instrukcji do wykorzystania w przyszłości.

## ZAGROŻENIA I OSTRZEŻENIA

**W celu uzyskania stosownych pozwoleń, informacji o wymaganiach i ograniczeniach instalacyjnych, np. w przypadku instalacji grilla na powierzchni łatwopalnej, wymagań inspekcyjnych lub nawet informacji o możliwości użytkowania w danym rejonie, musisz skontaktować się z administracją budynku, lokalnym inspektorem nadzoru budowlanego, strażą pożarną lub innym uprawnionym organem.**

1. Konieczne jest zachowanie minimalnej odległości 914 mm (36 cali) pomiędzy elementami zapalnymi a bokami grilla oraz 914 mm (36 cali) pomiędzy tylną częścią grilla a elementami zapalnymi. **Nie instaluj urządzenia na podłożu łatwopalnym lub powierzchni chronionej warstwami łatwopalnymi bez uzyskania odpowiednich zezwoleń od uprawnionych do tego organów.** Nie korzystaj z tego urządzenia w pomieszczeniach lub na obszarze zamkniętym i niewentylowanym. Tego urządzenia na pellet drzewny nie można umieszczać pod łatwopalnym sufitem podwieszanym lub pod okapem dachu. Przechowuj swojego grilla na obszarze wolnym od materiałów zapalnych, benzyny i innych łatwopalnych oparów oraz cieczy.

**W przypadku wystąpienia pożaru wywołanego kontaktem z tłuszczem, wyłącz grill i pozostaw jego pokrywę zamkniętą aż do ugaszenia ognia. Odłącz kabel zasilający od gniazdka. Nie polewaj urządzenia wodą. Nie próbuj tłumić ognia. Zaleca się przechowywać w pobliżu gaśnicę zatwierdzoną dla wielu klas pożarów (klasa ABC). W przypadku wystąpienia pożaru niekontrolowanego, wezwij straż pożarną.**

2. Chroń przewody elektryczne i paliwo przed kontaktem z gorącymi powierzchniami. Nie korzystaj z grilla podczas deszczu lub w pobliżu wody.
3. Po okresie dłuższego przechowywania lub nieużywania urządzenia sprawdź, czy ruszt do spalania pelletu jest drożny, w zbiorniku nie ma ciał obcych, a w pobliżu wlotu wentylatora, komina lub tylnych otworów wentylacyjnych korpusu beczkowego występuje swobodny przepływ powietrza. Wyczyść urządzenie przed użyciem. W celu przedłużenia żywotności urządzenia wymagana jest regularna pielęgnacja i konserwacja. **Jeżeli w sezonie deszczowym lub w okresie dużej wilgotności powietrza grill przechowywany jest na zewnątrz, należy zadbać o to, aby woda nie dostała się do zbiornika.** W wyniku kontaktu z wodą lub w warunkach dużej wilgotności pellet drzewny pęcznieje, ulega rozkładowi i może spowodować zatkanie układu doprowadzającego. Zawsze odłączaj urządzenie od zasilania przed przystąpieniem do jakichkolwiek działań serwisowych lub konserwacyjnych.

**Nie transportuj grilla podczas jego użytkowania lub gdy jest gorący. Przed przeniesieniem urządzenia upewnij się, że ogień jest w pełni zgaszony, a powierzchnia grilla jest całkowicie zimna w dotyku.**

4. Podczas obsługi grilla zaleca się stosowanie żaroodpornych rękawic do grillowania. Nie korzystaj z akcesoriów, które nie są przeznaczone do użytku z tym urządzeniem. Nie umieszczaj pokryw grilla ani żadnych łatwopalnych materiałów w schowku pod grillem.
5. Aby chronić palce, odzież lub inne przedmioty przed kontaktem z układem doprowadzającym podajnika, urządzenie wyposażone jest w metalową osłonę zabezpieczającą, przymocowaną do wnętrza zbiornika. Osłony nie można usuwać, o ile konsultant działu obsługi klienta lub autoryzowany sprzedawca nie zalecą inaczej.

**To urządzenie nie jest zalecane dla dzieci, osób o obniżonej sprawności ruchowej, sensorycznej lub intelektualnej bądź też osób bez odpowiedniego doświadczenia i wiedzy, chyba że są one bezpośrednio nadzorowane lub instruowane przez osobę odpowiedzialną za ich bezpieczeństwo.**

6. Części grilla mogą mocno się nagrzewać i powodować poważne obrażenia. Podczas obsługi urządzenia dzieci oraz zwierzęta nie powinny znajdować się w pobliżu.
7. Nie powiększaj otworów zapalnika lub komór spalania. Niezastosowanie się do tego ostrzeżenia może doprowadzić do pożaru i obrażeń ciała oraz unieważnić gwarancję.
8. Niektóre krawędzie lub elementy produktu mogą być ostre. Styczność może skutkować zranieniem. Zachowaj ostrożność podczas korzystania z urządzenia.

## USUWANIE POPIOŁU

Popiół należy umieścić w metalowym pojemniku ze szczelną pokrywą. Zamknięty pojemnik z popiołem należy umieścić na niepalnej podłodze lub na ziemi, z dala od wszystkich materiałów palnych, do czasu ostatecznego usunięcia. Gdy popiół ma być usunięty przez zakopanie w ziemi lub zutyłizowany na miejscu w inny sposób, należy go przechowywać w zamkniętym pojemniku do czasu całkowitego ostygnięcia.

## PELLET DRZEWNY

To urządzenie na pellet zostało skonstruowane i zatwierdzone do wyłącznego użytku z granulowanym, w pełni naturalnym paliwem drzewnym. Spalanie w tym urządzeniu innego paliwa spowoduje utratę gwarancji i niezachowanie standardów bezpieczeństwa. Konieczne jest używanie wyłącznie w pełni naturalnego pelletu drzewnego, przeznaczonego do spalania w grillach na pellet. Nie należy stosować paliwa z domieszkami. Pellet drzewny jest bardzo wrażliwy na wilgoć i zawsze powinien być przechowywany w szczelnym pojemniku. Jeśli grill nie jest użytkowany przez dłuższy czas, zalecamy usunięcie całego pelletu ze zbiornika i podajnika ślimakowego, aby nie dopuścić do ich zapchania.

**Nie należy stosować spirytusu, benzyny, płynu do zapalniczek ani nafty do rozpalania lub wzniesienia ognia pod grillem. Konieczne jest przechowywanie takich płynów z dala od uruchomionego urządzenia.**

W momencie druku niniejszej instrukcji nie istnieje żaden standard przemysłowy dla pelletu drzewnego do grilla, jednakże w przypadku większości pececiarek stosowane są te same standardy, co do produkcji pelletu drzewnego na użytek domowy. Więcej informacji można uzyskać pod adresem [www.pelletheat.org](http://www.pelletheat.org) lub wyszukując **Pellet Fuel Institute**.

Skontaktuj się z lokalnym sprzedawcą, by uzyskać informacje o jakości pelletu dostępnego w okolicy oraz poznać jego opinię o markach. Ze względu na brak kontroli nad jakością stosowanego pelletu nie ponosimy żadnej odpowiedzialności za szkody spowodowane niską jakością paliwa.

## KREOZOT

Kreozot lub inaczej sadza to substancja podobna do smoły. Podczas spalania wydziela czarny dym oraz pozostawia osad, który także ma barwę czarną. Sadza lub kreozot formuje się, gdy urządzenie użytkowane jest nieprawidłowo, czyli w przypadku: zablokowania wentylatora powietrza do spalania, braku dbania o czystość i konserwację komory spalania, zwilgocenia pelletu lub złego stosunku powietrza do paliwa podczas spalania.

Gdy płomień staje się ciemny i czarny od sadzy lub gdy komora spalania jest przepełniona pelletem, korzystanie z urządzenia jest niebezpieczne. Po zapaleniu kreozotu pojawia się niezwykle gorący i niekontrolowany ogień, podobnie jak w przypadku pożaru wywołanego przez tłuszcz. W takim wypadku należy WYŁĄCZYĆ urządzenie, pozostawić do całkowitego ostygnięcia, a następnie ocenić konieczność konserwacji i czyszczenia. Substancje zwykle gromadzą się wzdłuż obszarów ujścia spalin.

Jeżeli w urządzeniu wytworzył się kreozot, należy rozgrzać je w niskiej temperaturze, wyłączyć, a następnie wytrzeć wszystkie powstałe zabrudzenia ręcznikiem. Podobnie jak w przypadku smoły, o wiele łatwiej go wyczyścić, gdy jest ciepły, ponieważ przybiera on wtedy formę płynną.

## **TLENEK WĘGLA („CICHY ZABÓJCA”)**

Tlenek węgla jest bezbarwnym, bezwonym, pozbawionym smaku gazem wytwarzanym w wyniku spalania gazu, drewna, propanu, węgla drzewnego lub innego paliwa. Zmniejsza on zdolność krwi do transportu tlenu. Niski poziom tlenu we krwi może powodować bóle i zawroty głowy, osłabienie, nudności, wymioty, senność, otępienie lub skutkować utratą przytomności bądź też śmiercią. Postępuj zgodnie z poniższymi wytycznymi, abyś ty, twoja rodzina i inne osoby nie uległy zatruciu w wyniku kontaktu z tym bezbarwnym, bezwonym gazem:

- Należy udać się do lekarza, jeżeli podczas gotowania lub przebywania w bliskiej odległości od urządzenia pojawią się objawy przeziębienia lub grypopodobne. Zatrucie tlenkiem węgla, które można łatwo pomylić z przeziębieniem lub gripą, często stwierdza się zbyt późno.
- Spożywanie alkoholu i zażywanie narkotyków nasila objawy zatrucia.

Tlenek węgla jest szczególnie toksyczny dla matki i dziecka na etapie ciąży, niemowląt, osób starszych, palaczy oraz osób z zaburzeniami krwi lub układu krążenia, takimi jak niedokrwistość lub choroby serca.

## **STANDARDY BEZPIECZEŃSTWA**

Zgodność z EN 60335-2-102:2016, EN 60335-1:2012 + A11:2014 + A13:2017 + A1: 2021 + A14: 2021 + A2: 2021, EN62233: 2008, EN 55014-1:2017, EN 61000-3-2:2014, EN 61000-3-3:2013, EN 55014-2:2015.



### **INFORMACJA O PRAWACH AUTORSKICH**

Copyright 2021. Wszelkie prawa zastrzeżone. Żadna część niniejszej instrukcji nie może być powielana, przesyłana, przepisywana czy też zapisywana w systemach wyszukiwania, niezależnie od formy lub sposobu wykonania tego typu działań, bez wyraźnej zgody pisemnej

### **Dansons**

3411 North 5th Avenue, Suite 500, Phoenix, AZ, USA 85013  
sales@pitboss-grills.com | service@pitboss-grills.com  
**www.pitboss-grills.com**

### **Dział obsługi klienta**

Od poniedziałku do niedzieli, 4-20 PST (EN/FR/ES)

**Bezpłatna infolinia: 1-877-303-3134, Faks: 1-877-303-3135**



# SPIS TREŚCI

Informacje dotyczące bezpieczeństwa .....	214	Części zamienne	
Instruktaż działania		Części zamienne grilla PB550G .....	229
Stosowne otoczenia dla grilla .....	218	Części zamienne grilla PB700G.....	231
Zakres temperatur grilla.....	219	Części zamienne grilla PB850G .....	233
Objaśnienie działania panelu sterowania.....	220	Części zamienne grilla PB1150G.....	235
Objaśnienie działania sond.....	220	Części zamienne zbiornika PB550G .....	237
Objaśnienie ustawienia „P” .....	221	Części zamienne zbiornika PB700G / PB850G / PB1150G .....	238
Procedura uzupełniania zbiornika.....	221	Gwarancja	
Pierwsze użycie — wypalanie grilla.....	222	Warunki .....	239
Procedura automatycznego uruchamiania .....	222	Wyjątki.....	239
Procedura ręcznego uruchamiania.....	222	Zamawianie części zamiennych .....	240
Wyłączanie grilla .....	223	Kontakt do działu obsługi klienta.....	240
Pielęgnacja i konserwacja .....	223	Obsługa gwarancyjna .....	240
Porady i wskazówki.....	225		
Rozwiązywanie problemów .....	226		
Schemat instalacji elektrycznej .....	228		

# INSTRUKCJA DZIAŁANIA

Dzisiejszy styl życia opiera się na dążeniu do utrzymania diety zdrowej i pełnowartościowej, dlatego czynnikiem, który należy wziąć tutaj pod uwagę, jest ograniczenie spożycia tłuszczu. Jednym z najlepszych sposobów na obniżenie ilości tłuszczu w diecie jest stosowanie niskotłuszczowej metody gotowania, takiej jak grillowanie. Ponieważ do grilla na pellet wykorzystuje się naturalny pellet drzewny, intensywny aromat drewna przechodzi do mięsa, zmniejszając potrzebę korzystania z sosów o wysokiej zawartości cukru. W niniejszej instrukcji położono nacisk na powolne grillowanie jedzenia, w temperaturze ustawionej na LOW lub MEDIUM.

## STOSOWNE OTOCZENIE DLA GRILLA

### 1. USTAWIANIE GRILLA

Ze względu na specyfikę urządzeń zewnętrznych, także na działanie grilla i czas potrzebny do przyrządzenia doskonałych posiłków duży wpływ mają warunki pogodowe.

Wszystkie części urządzenia Pit Boss® powinny znajdować się w odległości co najmniej 914 mm (36 cali) od elementów zapalnych i odstęp ten musi być bezwzględnie zachowany podczas pracy grilla. Urządzenia nie można umieszczać pod łatwopalnym sufitem podwieszanym lub pod okapem dachu. Przechowuj swojego grilla na obszarze wolnym od materiałów zapalnych, benzyny i innych łatwopalnych oparów oraz cieczy.

### 2. GOTOWANIE PRZY NISKICH TEMPERATURACH OTOCZENIA

Chłodniejsza aura wcale nie oznacza końca sezonu grillowego! Rześkie, chłodne powietrze i niebiański aromat wędzonych potraw to świetne lekarstwo na zimową depresję.

Skorzystaj z poniższych wskazówek, by korzystać z grilla w zimniejszych miesiącach:

- Jeśli niemożliwe jest wędzenie w niskich temperaturach, nieznacznie ją zwiększ, aby osiągnąć ten sam rezultat.
- Przygotuj się — przed wyjściem na zewnątrz naszykuj w kuchni wszystko, co będzie potrzebne. W sezonie zimowym ustaw grill w miejscu osłoniętym od wiatru i przeszywającego zimna. Dowiedz się, jakie są lokalnie obowiązujące przepisy dotyczące bliskości grilla od domu i/lub innych konstrukcji. Połóż na tacy wszystko, czego potrzebujesz, okryj się starannie i do roboty!
- Aby śledzić na bieżąco temperaturę na zewnątrz, umieść termometr zewnętrzny w bliskim położeniu od strefy gotowania. Prowadź dziennik lub sporządzaj notatki na temat przyrządzanych potraw, temperatury na zewnątrz i czasu gotowania. Będzie to pomocne w późniejszym ustaleniu, co warto gotować i jak długo to zajmuje.
- W bardzo zimne dni przedłuż czas nagrzewania urządzenia o co najmniej 20 minut.
- Nie podnoś pokrywy częściej niż to konieczne. Zimne podmuchy wiatru mogą znacząco obniżyć temperaturę grilla. Podejdź elastycznie do czasu gotowania; wydłuż go za każdym razem, gdy otworzysz pokrywę.
- Przygotuj nagrany talerz lub pokrywkę na naczynie, aby utrzymać jedzenie w ciepłe podczas przenoszenia go z powrotem do środka.
- Idealne do przyrządzania w okresie zimowym są potrawy, które nie wymagają dużego zaangażowania, takie jak pieczenie mięsne, całe kurczaki, żeberka czy indyk. Uprość przygotowywanie posiłków korzystając z prostych produktów, takich jak warzywa i ziemniaki.

### 3. GOTOWANIE PRZY WYSOKICH TEMPERATURACH OTOCZENIA

Gdy powietrze na zewnątrz się ociepla, skraca się czas gotowania.

Skorzystaj z tych kilku wskazówek, by korzystać z grilla w gorących miesiącach:

- Odpowiednio obniż temperatury grillowania. Pomaga to w unikaniu niepożądanych wybuchów ognia.
- Skorzystaj z termosondy do mięsa, aby sprawdzić temperaturę wewnątrz potrawy. Zapobiega to przepieczeniu i nadmiernemu wysuszeniu mięsa.
- Nawet w czasie upałów lepiej jest gotować z opuszczoną pokrywą grilla.
- Możesz utrzymać ciepło potraw, zawijając je w folię i umieszczając w szczelnym opakowaniu termicznym. Upchnij zgniecione gazety dookoła folii i w ten sposób przechowuj jedzenie w ciepłe od 3 do 4 godzin.

## ZAKRES TEMPERATUR GRILLA

Odczyty temperatur na panelu kontrolnym mogą się nie zgadzać w pełni z pomiarami wykonanymi termometrem. Wszystkie poniżej wymienione temperatury są szacunkowe i kształtują je następujące czynniki: zewnętrzna temperatura otoczenia, siła i kierunek wiatru, jakość stosowanego pelletu, częstotliwość otwierania pokrywy i ilość przyrządzanych potraw.

- **WYSOKIE TEMPERATURY (205-260°C/401-500°F)**

Ten zakres temperatur jest najlepszy do smażenia i grillowania na dużym ogniu. Używaj go w połączeniu z płytą do grillowania na ogniu, by zasłaniać lub odsłaniać płomień podczas grillowania. Otwarta **płyta do grillowania na ogniu** pozwala na przygotowywanie bezpośrednio nad ogniem steków „blue” oraz muśniętych płomieniem warzyw, tostów czosnkowych lub s'mores! Gdy **ruszt do grillowania nad ogniem jest zamknięty**, powietrze krąży w korpusie beczkowym, wytwarzając ciepło konwekcyjne. Wysokie temperatury służą także do nagrzewania grilla, wypalania rusztów do grillowania i utrzymania wysokich temperatur w warunkach ekstremalnego zimna.

- **ŚREDNIE TEMPERATURY (135-180°C/275-356°F)**

Ten zakres temperatur jest najlepszy do pieczenia, zapiekania i nadawania ostatecznego smaku powoli wędzonemu jedzeniu. Przyrządzanie potraw w tym zakresie temperatur znacznie zmniejsza ryzyko zapalenia się tłuszczu. Upewnij się, że zasłona płomienia jest w pozycji zamkniętej i zakrywa szczeliny. Idealne temperatury do smażenia wszystkiego, co jest zawinięte w boczek lub gdy lubisz wszechstronność, którą możesz kontrolować.

- **NISKIE TEMPERATURY (82-125°C/180-257°F)**

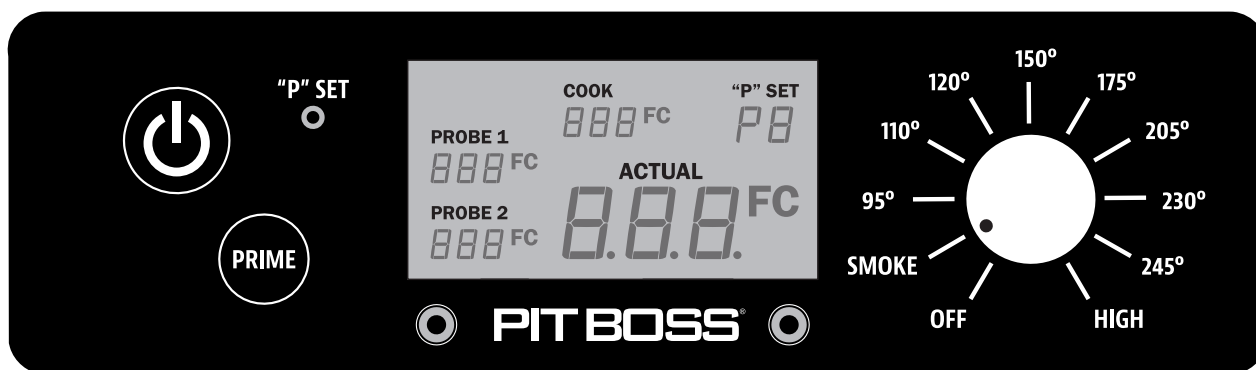
Ten zakres temperatur służy do powolnego pieczenia, intensyfikowania dymnego smaku i utrzymywania ciepła potraw. Uzyskaj bardziej dymny smak potraw i przyrządzaj soczyste mięsa, gotując dłużej i w niższych temperaturach (metoda **powoli i w niskich temperaturach**). Temperatury polecane do przygotowywania dużego indyka na Święto Dziękczynienia, soczystej szynki na Wielkanoc lub wielkiej uczy świętecznej.








Wędzenie to mała odmiana od tradycyjnego grillowania i stanowi tak naprawdę główną zaletę korzystania z grilla na pellet drzewny. **Wędzenie na gorąco**, inna nazwa metody **powolnego gotowania w niskich temperaturach** zwykle odbywa się w temperaturze 82-125°C/180-257°F. Ten typ wędzenia najlepiej sprawdza się, gdy wymagany jest dłuższy czas gotowania, tak jak w przypadku dużych kawałków mięsa, ryb lub drobiu.

**WSKAZÓWKA:** Aby wzmocnić intensywność tego smaku, ustaw pokrętko regulacji temperatury w pozycji **SMOKE (niskie temperatury)** natychmiast po umieszczeniu jedzenia na grillu. Pozwoli to dymnemu aromатовi przeniknąć do mięsa.

Kluczem jest eksperymentowanie z długością wędzenia podczas przygotowywania potrawy. Niektórzy specjaliści od grillowania wolą wędzić pod koniec przygotowywania posiłku, tak aby jedzenie było ciepłe do momentu podania. Praktyka czyni mistrza!

## OBJAŚNIENIE DZIAŁANIA PANELU STEROWANIA



KONTROLKA	OPIS
	Naciśnij <b>przycisk zasilania</b> , aby włączyć urządzenie. Przycisk będzie się świecić na niebiesko po podłączeniu do źródła zasilania. Aby wyłączyć urządzenie, ponownie naciśnij przycisk.
	<b>Pokrętło regulacji temperatury</b> pozwala na ustawienie pożądanej temperatury wędzenia. Po podłączeniu do źródła zasilania i naciśnięciu przycisku zasilania, przekręć pokrętło i wybierz jedno z dziesięciu ustawień temperatury z zakresu 82-260°C/180-500°F. Po ustawieniu pokrętła w pozycji wybranej temperatury, cyfrowy ekran LCD zaświeci się, wskazując, że jest gotowy do pracy. Gdy pokrętło jest wyłączone, cyfrowy ekran LCD także pozostanie wyłączony.
	<b>Przycisk „P” SET</b> służy do wybierania jednego z ośmiu programów, gdy pokrętło regulacji temperatury ustawione jest w pozycji Smoke. Naciśnij przycisk, by zmienić ustawienie „P” zgodnie z preferencjami, w celu dostosowania go do stylu gotowania i otoczenia. Wystarczy <u>krótkie naciśnięcie</u> przycisku, aby przejść przez ustawienia od P0 do P7, a następnie wrócić do początku. Korekty ustawień są możliwe tylko w pozycji Smoke. Domyślnym ustawieniem fabrycznym jest program „P4”. Po naniesieniu zmian w ustawieniach „P” preferencje te zostaną zablokowane (zapisane) do czasu, aż wprowadzone zostaną ponowne korekty.  <b>Przycisk „P” SET</b> służy także jako <b>przełącznik regulacji temperatury</b> , który zmienia sposób wyświetlania temperatury na ekranie LCD. Naciśnij i <u>przytrzymaj</u> przycisk przez dwie sekundy, aby zmienić jednostkę temperatury na Celsius (°C) lub Fahrenheit (°F), stosownie do preferencji. Domyślnym ustawieniem jest Celsius.
	<b>Ekran LCD</b> pełni rolę centrum informacyjnego urządzenia. Wyświetla optymalną temperaturę gotowania, temperaturę rzeczywistą i temperaturę termosondy do mięsa (jeśli jest podłączona). W przypadku podłączenia tylko jednej termosondy do mięsa, wyświetlać się będzie tylko jeden odczyt.
	Naciśnij i przytrzymaj <b>przycisk Prime</b> , aby dorzucić do paleniska dodatkową porcję pelletu. Ma to zastosowanie w razie chęci dodania większej ilości paliwa do ognia przed otwarciem pokrywy korpusu beczkowego, co ma na celu skrócenie czasu utraty ciepła. Może to być także przydatne podczas wędzenia, gdyż zwiększa się w ten sposób intensywność czystego, dymnego smaku. Prośba od kucharzy konkursowych.
<b>SMOKE</b>	<b>Ustawienie Smoke</b> na pokrętle regulacji temperatury to tryb uruchamiania urządzenia. Grill pracuje w najniższych temperaturach, a ogień jest przygaszony.
	Otwór(-ory) przyłączeniowy(e) w przedniej części panelu sterowania służy(ą) do podłączenia <b>termosond(y) do mięsa</b> . Po podłączeniu termosondy temperatura wyświetla się na ekranie LCD. Odłącz termosondę od otworu przyłączeniowego, gdy nie jest używana. <i>Urządzenie jest zgodne wyłącznie z termosondami marki Pit Boss. Dodatkowe termosondy sprzedawane są osobno.</i> 

## OBJAŚNIENIE DZIAŁANIA SOND

### • SONDA TEMPERATURY

Sonda temperatury umiejscowiona jest na lewej ścianie wnętrza korpusu beczkowego. To mały, pionowy kawałek stali nierdzewnej. Sonda mierzy temperaturę wewnątrz urządzenia. Po zmianie temperatury na panelu sterowania sonda odczyta rzeczywistą temperaturę wewnętrzną urządzenia i dostosuje ją do żądanej temperatury.

**WAŻNE:** Temperatura urządzenia jest silnie uzależniona od zewnętrznych warunków pogodowych otoczenia, jakości stosowanego pelletu i jego smaku oraz od ilości przyrządzanego jedzenia.

#### • *TERMOSONDA DO MIĘSA*

Termosonda do mięsa mierzy wewnętrzną temperaturę mięsa na grillu, podobnie jak może to robić kuchenny piekarnik. Gdy podłączysz przejściówkę termosondy do otworu przyłączeniowego na panelu sterowania i wsuniesz końcówkę ze stali nierdzewnej w najgrubszą część mięsa, na panelu sterowania wyświetli się jego temperatura. **Aby upewnić się, że termosonda została prawidłowo podłączona do otworu przyłączeniowego, trzeba poczuć i usłyszeć, jak wskakuje na miejsce.**

**UWAGA:** Upewnij się, że termosonda do mięsa i jej przewód nie mają bezpośredniego kontaktu z ogniem lub nadmiernym ciepłem podczas jej umieszczania w mięsie. Może to skutkować uszkodzeniem termosondy. Przeprowadź zbyt długi przewód przez tylne otwory wylotowe grilla głównego lub przez górną część grilla głównego (przy zawiasach pokrywy). Gdy termosonda do mięsa nie jest używana, odłącz ją od otworu przyłączeniowego i odłóż na bok, by zapewnić jej bezpieczeństwo i utrzymać ją w czystości.

## OBJAŚNIENIE USTAWIENIA „P”

Po naciśnięciu wklęsłego przycisku „P” SET na ekranie LCD zacznie migać ustawienie „P” i włączy się następny w kolejności program (o wyższej wartości). Gdy dojdzie do wartości P7, włączy się z powrotem program P0. Dostępnych jest osiem ustawień „P”, od P0 do P7. Wklęsły przycisk „P” SET można nacisnąć za pomocą przedmiotu o cienkiej końcówce.

**WAŻNE:** Nie naciskaj przycisku „P” SET zbyt mocno, ponieważ może to spowodować jego uszkodzenie. Wystarczy go lekko wcisnąć.

#### • *KORZYSTANIE Z USTAWIENIA „P” W TRYBIE SMOKE*

Za każdym razem, gdy pokrętko regulacji temperatury ustawione jest w pozycji SMOKE, na przykład w cyklu rozruchu, podajnik ślimakowy będzie pracować w trybie ręcznym gotowania zamiast korzystać z gotowych ustawień temperatury. Początkowo podajnik ślimakowy będzie się bez przerwy obracać i dostarczać pellet przez cztery minuty. Po czterech minutach podajnik ślimakowy rozpocznie cykl doprowadzania, zgodnie z wybranym na panelu sterowania programem „P”. Ustawieniem domyślnym jest program P4.

„P” SET	CYKL PODAJNIKA (sekundy)	
	WŁ.	WYŁ.
P0	18	55
P1	18	70
P2	18	85
P3	18	100
<b>*P4</b>	<b>18</b>	<b>115</b>
P5	18	130
P6	18	140
P7	18	150

*\* Ustawienie domyślne*

## PROCEDURA UZUPEŁNIANIA ZBIORNIKA

Do poniższych instrukcji należy się zastosować, gdy grill rozpalany jest po raz pierwszy oraz za każdym razem, gdy w zbiorniku skończy się pellet. Podajnik ślimakowy wymaga uzupełniania, by możliwe było transportowanie pelletu przez całą jego długość i dostarczanie go do paleniska. **W innym wypadku limit czasu zapalnika zostanie przekroczony przed zapłonem pelletu i rozpalenie ognia nie będzie możliwe.** Aby uzupełnić zbiornik, wykonaj następujące działania:

1. Otwórz pokrywę zbiornika. Upewnij się, że w zbiorniku nie ma ciał obcych lub przedmiotów blokujących u dołu układ doprowadzający podajnika.
2. Wyjmij wszystkie elementy do przyrządzania potraw z wnętrza grilla. Zlokalizuj palenisko w dolnej części głównego korpusu beczkowego.
3. Podłącz przewód zasilający do źródła zasilania. Naciśnij **przycisk zasilania**, aby włączyć urządzenie i ustawić **pokrętko regulacji temperatury** w pozycji SMOKE. Upewnij się, że:
  - Słysząc obracanie się elementu ślimakowego podajnika. Po umieszczeniu ręki nad paleniskiem czuć ruch powietrza. Zabronione jest wkładanie ręki lub palców do paleniska. Może to doprowadzić do urazu.
  - Po około minucie pojawi się zapach płonącego zapalnika i będzie można odczuć, że powietrze w palenisku staje się coraz cieplejsze. Końcówka zapalnika nie nagrzej się do czerwoności, ale stanie się bardzo gorąca i będzie płonąć. Zabronione jest dotykanie zapalnika.
4. Po upewnieniu się, że wszystkie części elektroniczne działają prawidłowo, naciśnij **przycisk zasilania**, aby wyłączyć urządzenie.
5. Uzupełnij zbiornik w pełni naturalnym pelletem drzewnym do grilla.

6. Naciśnij **przycisk zasilania**, aby włączyć urządzenie. Pozostaw **pokrętko regulacji temperatury** w pozycji SMOKE. Naciśnij i przytrzymaj **przycisk Prime**, dopóki nie dostrzeżesz wewnątrz grilla dostarczonego przez rurę podajnika ślimakowego pelletu. Gdy w palenisku pojawi się pellet, zwolnij **przycisk Prime**.
7. Naciśnij **przycisk zasilania**, aby wyłączyć urządzenie.
8. Włóż z powrotem wszystkie elementy do gotowania do głównego korpusu beczkowego. Grill jest już gotowy do użytku. (Zobacz *Instrukcje montażu* w celu prawidłowej instalacji elementów do przyrządzania potraw.)

## PIERWSZE UŻYCIE — WYPALANIE GRILLA

Po uzupełnieniu zawartości zbiornika i przed rozpoczęciem grillowania po raz pierwszy, konieczne jest wypalenie grilla. Uruchom i pozostaw grill włączony przez 30-40 minut w temperaturze przekraczającej 176°C/350°F (przy zamkniętej pokrywie), aby go wypalić i usunąć wszystkie substancje obce.

## PROCEDURA AUTOMATYCZNEGO URUCHAMIANIA

1. Podłącz przewód zasilający do źródła zasilania z uziemieniem. Otwórz pokrywę głównego korpusu beczkowego. Upewnij się, że w palenisku nie ma żadnych przeszkód utrudniających prawidłowy zapłon. Otwórz pokrywę zbiornika. Upewnij się, że w zbiorniku lub w układzie doprowadzającym podajnika nie ma ciał obcych. Uzupełnij zbiornik suchym, w pełni naturalnym peliletem drzewnym do grilla.
2. Upewnij się, że **pokrętko regulacji temperatury** jest w pozycji SMOKE. Naciśnij **przycisk zasilania**, aby włączyć urządzenie. Spowoduje to aktywację cyklu rozruchu. Układ doprowadzający podajnika zacznie się obracać, zapalnik rozpocznie nagrzewanie, a wentylator dostarczenie powietrza do paleniska. Podczas trwania cyklu rozruchu grill zacznie wytwarzać dym. Pokrywa korpusu beczki musi być **otwarta** w trakcie tego cyklu. Aby potwierdzić, że cykl rozruchu rozpoczął się w sposób prawidłowy, upewnij się, że słyszysz warkot palnika i czujesz, że wydziela się ciepło.
3. Po rozproszeniu ciężkiego, białego dymu cykl rozruchu zakończy się, a grill będzie gotowy do pracy we wszystkich zakresach temperatur!

## PROCEDURA W PRZYPADKU AWARII ZAPALNIKA

**Jeśli z jakiegoś powodu elektryczny zapalnik przestanie działać lub ogień grilla zgaśnie w trakcie gotowania, wykonaj poniższe działania lub uruchom grill metodą ręczną.**

1. Upewnij się, że **pokrętko regulacji temperatury** jest wyłączone i znajduje się w pozycji SMOKE. Otwórz pokrywę korpusu beczkowego. Wyjmij ze środka elementy do gotowania. Usuń z paleniska cały niespalony pellet i popiół. W celu uniknięcia obrażeń nie dotykaj zapalnika, ponieważ może on być bardzo gorący.
2. Po wyjęciu i wyczyszczeniu wszystkim elementów do gotowania naciśnij **przycisk zasilania**, aby włączyć urządzenie. Upewnij się, że:
  - Po umieszczeniu dłoni nad paleniskiem czujesz ciepło, co świadczy o działaniu zapalnika.
  - Widać, że około 13 mm/0,5 cala powierzchni zapalnika wystaje w palenisku.
  - Widać, że podajnik ślimakowy dostarcza pellet do paleniska.
  - Słychać szorstki warkot, co oznacza, że wentylator powietrza do spalania działa.
3. Jeśli wykryjesz nieprawidłowości, zapoznaj się z instrukcjami **Rozwiązywania problemów**.

## PROCEDURA RĘCZNEGO URUCHAMIANIA

1. Upewnij się, że **pokrętko regulacji temperatury** jest w pozycji **SMOKE**. Podłącz przewód zasilający do źródła zasilania z uziemieniem.
2. Upewnij się, że w palenisku nie ma żadnych przeszkód utrudniających prawidłowy zapłon. Otwórz pokrywę zbiornika. Upewnij się, że w zbiorniku lub w układzie doprowadzającym podajnika nie ma ciał obcych. Uzupełnij zbiornik suchym, w pełni naturalnym peliletem drzewnym do grilla.
3. Otwórz pokrywę korpusu beczkowego. Wyjmij elementy do gotowania, aby odsłonić palenisko. Umieść dużą garść pelletu w palenisku. Wyciśnij na wierzch pelletu rozpałkę żelową lub inną, która może być stosowana do pelletu. Odpowiednia będzie również niewielka ilość innej rozpałki do paliwa stałego, np. taka, która w składzie ma trociny i wosk, a także wióry drzewne. Dodaj do paleniska kolejną niedużą porcję pelletu.

**UWAGA: Nie należy stosować spirytusu, benzyny, płynu do zapalniczek ani nafty do rozpalania lub wzniesienia ognia pod grillem.**

4. Rozpal zawartość paleniska za pomocą długiej zapałki lub zapalniczki z długą końcówką. Pozwól, aby rozpałka paliła się od 3 do 5 minut. Nie próbuj dodawać więcej rozpałki do paleniska. Może to doprowadzić do urazu.
5. Szybko i ostrożnie włóż elementy do gotowania do wnętrza głównego korpusu beczkowego. Kontynuuj proces rozruchu, zaczynając od kroku drugiego **Procedury automatycznego uruchamiania**.

## WYŁĄCZANIE GRILLA

1. Gdy zakończysz gotowanie, pozostaw pokrywę głównego korpusu beczkowego zamkniętą i naciśnij **przycisk zasilania**, aby wyłączyć urządzenie i ustawić  **pokrętko regulacji temperatury** w pozycji OFF.

## PIEŁĘGNACJA I KONSERWACJA

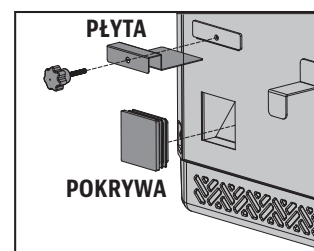
Zakup urządzenia Pit Boss zapewnia możliwość wieloletniego gotowania pełnego smaku przy minimalnym wkładzie w czyszczenie. Zadbaj o stan swojego grilla, korzystając z poniższych wskazówek dotyczących czyszczenia i konserwacji:

### 1. KONSTRUKCJA ZE ZBIORNIKIEM

- Zbiornik jest przystosowany do szybkiego oczyszczania, dlatego jego mycie nie sprawia trudności i możliwa jest całkowita zmiana smaku, który oddaje potrawom pellet. Aby go opróżnić, znajdź w tylnej części zbiornika płytkę i osłonkę rynny zsypanej. Umieść czyste, puste wiadro pod osłonką rynny zsypanej, a następnie zdejmij osłonkę. Gdy wykręcisz płytkę i wysuniesz ją na zewnątrz, pellet zostanie usunięty.

**UWAGA: Użyj szczotki z długim uchwytem lub odkurzacza przemysłowego, aby usunąć nadmiar pelletu, trocin i innych odpadów oraz całkowicie oczyścić wnętrze zbiornika.**

- Zaleca się usunąć cały pellet z systemu podajnika ślimakowego, jeżeli grill nie będzie używany przez dłuższy czas. Można to zrobić poprzez uruchomienie i pozostawienie grilla włączonego przy pustym zbiorniku do momentu pozbycia się całego pelletu z rury podajnika ślimakowego.
- Sprawdź i usuń wszelkie zanieczyszczenia z obszaru wlotowego powietrza tłoczonego przez wentylator, znajdującego się na dnie zbiornika. Po zdjęciu panelu zabezpieczającego zbiornika (zobacz **Schemat elementów elektrycznych**), ostrożnie wytrzyj cały smar, który osadził się bezpośrednio na łopatkach wentylatora. Zapewni to odpowiedni napływ powietrza do układu doprowadzającego.



### 2. SONDY

- Załamania lub zagięcia przewodów sondy mogą spowodować ich uszkodzenie. Nieużywana termosonda do mięs powinna być zwijana w duży, luźny splot.
- Mimo że zarówno sonda temperatury, jak i termosonda do mięs wykonane są ze stali nierdzewnej, nie myj ich w zmywarce ani nie zanurzaj w wodzie. Uszkodzenie wewnętrznych przewodów przez wodę spowoduje zwarcie sondy, czego skutkiem będą błędne odczyty. Jeśli sonda jest uszkodzona, konieczna jest jej wymiana.

### 3. POWIERZCHNIE WEWNĘTRZNE

- Palenisko zaleca się czyścić po kilkukrotnym użyciu. To zapewni odpowiedni zapłon i pozwoli uniknąć gromadzenia się odpadów i popiołu w palenisku.
- Skorzystaj ze szczotki z długim uchwytem do czyszczenia grilla i usuń resztki jedzenia lub pozostałości z rusztów do gotowania. Najlepiej jest to zrobić, gdy grill jest jeszcze ciepły od ostatniego grillowania. Zapalenia tłuszczu spowodowane są zbyt dużą ilością resztek osadzających się na elementach do gotowania grilla. Regularnie czyść wnętrze grilla. W przypadku wystąpienia pożaru wywołanego kontaktem z tłuszczem, pozostaw pokrywę grilla zamkniętą aż do zdławienia ognia. Jeśli ogień nie gaśnie szybko, ostrożnie wyjmij jedzenie, wyłącz grill i zamknij pokrywę, aby ogień całkowicie wygasł. Delikatnie posyp go sodą oczyszczoną, jeśli masz ją do dyspozycji.

- Często sprawdzaj stan wiadra na tłuszcz i czyść go tak często, jak to konieczne. Miej na uwadze czystość, jakie wykonujesz podczas gotowania.

**WAŻNE: Ze względu na wysokie temperatury nie zakrywaj folią aluminiową rusztu do grillowania na ogniu ani sond.**

#### 4. POWIERZCHNIE ZEWNĘTRZNE

- Przetrzyj grill po każdym użyciu. Do usunięcia tłuszczu użyj ciepłej wody z mydłem. Nie korzystaj ze środków do czyszczenia piekarników, środków szorujących ani ściereczek ściernych do czyszczenia zewnętrznej powierzchni grilla. **Gwarancja nie obejmuje powierzchni malowanych**, ponieważ jest to element podlegający konserwacji i wymaga pielęgnacji. W przypadku zadrapań, ścierania się lub łuszczenia powierzchni wszystkie pomalowane elementy można odświeżyć za pomocą odpornej na wysokie temperatury farby do grilla.
- Zamykaj pokrywę grilla, aby zapewnić jego pełną ochronę! Pokrywa to najlepsze zabezpieczenie przed niekorzystnymi warunkami atmosferycznymi i zanieczyszczeniami. Gdy urządzenie nie jest używane lub ma być przez długi czas przechowywane, trzymaj je pod przykryciem w garażu lub w szopie.

#### HARMONOGRAM CZĘSTOTLIWOŚCI CZYSZCZENIA (REGULARNE UŻYTKOWANIE)

ELEMENT	CZĘSTOTLIWOŚĆ CZYSZCZENIA	METODA CZYSZCZENIA
Podstawa grilla głównego	Po 5–6 zastosowaniach grilla	Wybieranie i usuwanie odpadków odkurzaczem przemysłowym
Palenisko	Po 2–3 zastosowaniach grilla	Wybieranie i usuwanie odpadków odkurzaczem przemysłowym
Ruszt do gotowania	Po każdym użyciu grilla	Wypalanie resztek, drucziana szczotka mosiężna
Zasłona grillowania na ogniu	Po 5–6 zastosowaniach grilla	Zeskrobywanie płyty głównej prowadnikiem, <b>nie myć do czysta</b>
Półka przednia	Po każdym użyciu grilla	Zmywaczek i woda z mydłem
Wiadro na tłuszcz	Po każdym użyciu grilla	Zmywaczek i woda z mydłem
Układ doprowadzający podajnika	Po opróżnieniu opakowania pelletu	Podajnik ślimakowy wypycha trociny, pozostawiając pusty zbiornik
Elementy elektryczne zbiornika	Raz na rok	Odkurzenie wnętrza, przetarcie łopatek wentylatora wodą z mydłem
Wlot powietrza wentylatora	Po 5–6 zastosowaniach grilla	Starcie kurzu, zmywaczek i woda z mydłem
Sonda temperatury	Po 2–3 zastosowaniach grilla	Zmywaczek i woda z mydłem



# PORADY I WSKAZÓWKI

Aby dowiedzieć się więcej o swoim grillu, zapoznaj się z udostępnionymi przez właścicieli Pit Bross, naszych pracowników oraz klientów takich jak Ty pomocnymi poradami i wskazówkami:

## 1. BEZPIECZEŃSTWO ŻYWNOŚCI

- Utrzymuj całą kuchnię oraz strefę gotowania w czystości. Po obróbce termicznej używaj innych talerzy i przyborów niż te, które posłużyły do przygotowania lub przeniesienia surowego mięsa na grill. Zapobiegnie to krzyżowemu zanieczyszczeniu bakteriami. Wszystkie marynaty lub sosy do pieczenia powinny mieć osobne naczynia.
- Trzymaj ciepłe potrawy w wysokiej temperaturze (powyżej 60°C/140°F), a zimne w temperaturze niskiej (poniżej 3°C/37°F).
- Marynata nigdy nie powinna być pozostawiana do późniejszego wykorzystania. Jeśli planujesz podawać ją do przyrządzonego mięsa, pamiętaj, aby wcześniej ją zagotować.
- Gotowe potrawy nie powinny być przechowywane w ciepłe dłużej niż godzinę. Nie pozostawiaj ciepłego jedzenia poza lodówką przez czas dłuższy niż dwie godziny.
- Rozmrażaj i marynuj mięso w warunkach chłodniczych. Nie rozmrażaj mięsa w temperaturze pokojowej lub na blacie. W ciepłej i wilgotnej żywności bakterie mogą się szybko rozrastać i namnażać. Przed rozpoczęciem przygotowywania posiłku i po kontakcie z surowym mięsem, rybami i drobiem dokładnie umyj ręce gorącą wodą z mydłem.

## 2. PRZYGOTOWANIE DO GOTOWANIA

- Bądź w gotowości lub **Mise en Place**. Oznacza to naszykowanie przed rozpoczęciem gotowania przepisu, paliwa, akcesoriów, naczyń i wszystkich składników, które będą potrzebne przy grillu. Przeczytaj także cały przepis, od początku do końca, jeszcze przed rozpaleniem grilla.
- Bardzo przydatna jest mata podłogowa pod grill. Ze względu na możliwe wypadki związane z obróbką żywności i rozpryskami podczas gotowania mata podłogowa pod grill chroniłaby taras, patio lub kamienną powierzchnię przed plamami z tłuszczu lub przypadkowym rozlaniem.

## 3. PORADY I WSKAZÓWKI DOTYCZĄCE GRILLOWANIA

- Aby przekazać mięsu więcej dymnego smaku, gotuj je dłużej i w niższych temperaturach (metoda **powoli i w niskich temperaturach**). Białko mięsa ścina się po osiągnięciu wewnętrznej temperatury 49°C/120°F. Zraszanie lub pędzlowanie to świetne metody zabezpieczania mięsa przed wysuszeniem.
- Smażąc mięso, zamykaj pokrywę grilla. Zawsze korzystaj z termosondy do mięsa, aby kontrolować temperaturę przyrządzanej potrawy. Wędzenie żywności z wykorzystaniem pelletu drzewnego pozwala uzyskać różowy kolor mięsa i drobiu. Różowa warstwa mięsa (po przyrządzeniu) określana jest jako **pierścień dymny** i jej walory doceniane są przez specjalistów od grillowania.
- Sosy na bazie cukru najlepiej nakładać pod koniec przyrządzania potrawy, aby zapobiec przypaleniom i wybuchom ognia.
- Pozostaw wolną przestrzeń między produktami spożywczymi a bokami korpusu beczkowego, aby zapewnić prawidłową cyrkulację ciepła. Przyrządzanie dużej ilości jedzenia w tym samym czasie spowoduje wydłużenie czasu grillowania.
- Do obracania mięsa używaj szczypiec z długim uchwytem, a do burgerów i ryb szpatułki. Użycie do mięsa ostrego przyrządu, takiego jak widelec, spowoduje jego przekłucie i utratę soczystości.
- Potrawy w głębokich naczyniach żaroodpornych wymagają dłuższego czasu gotowania niż dania przyrządzane w płytkiej blasze do pieczenia.
- Dobrym pomysłem jest trzymanie gotowych potraw na podgrzanych talerzach, aby nie traciły ciepła. Czerwone mięso, takie jak steki i pieczenie, dużo zyskuje na kilkuminutowym odpoczynku przed podaniem. Umożliwia to sokom, które wypłynęły pod wpływem temperatury, ponownie wnikać do mięsa i nadać mu więcej smaku.

# ROZWIĄZYWANIE PROBLEMÓW

Właściwe czyszczenie, konserwacja i stosowanie czystego, suchego paliwa zapobiega występowaniu typowych problemów z działaniem urządzenia. W przypadku, gdy grill Pit Boss nie działa prawidłowo lub jest rzadko użytkowany, pomocne mogą okazać się poniższe wskazówki dotyczące rozwiązywania problemów.

Odpowiedzi na najczęściej zadawane pytania (FAQ) znajdziesz pod adresem [www.pitboss-grills.com](http://www.pitboss-grills.com). W celu uzyskania pomocy możesz się także skontaktować z lokalnym, autoryzowanym sprzedawcą Pit Boss® lub działem obsługi klienta.

**OSTRZEŻENIE: Zawsze odłączaj przewód elektryczny przed otwarciem grilla, gdy planujesz jego kontrolę, czyszczenie, konserwację lub serwis. Upewnij się, że grill jest całkowicie ostudzony, aby uniknąć obrażeń.**

PROBLEM	PRZYCZYNA	ROZWIĄZANIE
Kontrolki panelu sterowania nie działają	Pokrętko regulacji temperatury jest wyłączone.	Naciśnij przycisk zasilania i upewnij się, że świeci na niebiesko, gdyż oznacza to, że zasilanie jest włączone. Ustaw pokrętko regulacji temperatury w pozycji temperatury.
	Brak połączenia ze źródłem zasilania	Upewnij się, że urządzenie jest podłączone do działającego źródła zasilania. Zresetuj bezpiecznik. Upewnij się, że natężenie w gnieździe GFCI wynosi co najmniej 10 A (zobacz <b>Schemat elementów elektrycznych</b> ), aby zapoznać się z komponentami elektrycznymi). Upewnij się, że wszystkie przewody są prawidłowo podłączone oraz suche.
	Panel sterowania sygnalizuje przepalenie bezpiecznika	Zdejmij panel zabezpieczający zbiornika (zobacz <b>Schemat elementów elektrycznych</b> ), naciśnij plastikowe zaczepy przytrzymujące panel sterowania na miejscu i ostrożnie pociągnij sterownik w głąb zbiornika, aby go zwolnić. Sprawdź, czy w bezpieczniku nie ma uszkodzonego druciku lub czy nie przybrał on czarnej barwy. Jeśli tak, bezpiecznik należy wymienić ręcznie.
	Gniazdo GFCI wyłączyło się.	Zdejmij panel zabezpieczający zbiornika (zobacz <b>Schemat elementów elektrycznych</b> ) i sprawdź, czy wszystkie kable są dobrze podłączone i suche. Upewnij się, że natężenie w gnieździe GFCI wynosi co najmniej 10 A.
	Awaria panelu sterowania	Wymagana jest wymiana panelu sterowania. Skontaktuj się z działem obsługi klienta w sprawie wymiany elementu.
W palenisku nie pali się ogień	Podajnik ślimakowy nie został uzupełniony	Przed pierwszym użyciem urządzenia lub za każdym razem, gdy zbiornik jest pusty konieczne jest napełnienie podajnika ślimakowego, aby w jego rurze zawsze był pellet. W innym wypadku limit czasu zapalnika zostanie przekroczony zanim pellet dotrze do paleniska. Zastosuj się do <b>Procedury uzupełniania zbiornika</b> .
	Silnik podajnika ślimakowego jest zablokowany	Wyjmij z głównego korpusu beczki elementy do gotowania. Naciśnij przycisk zasilania, aby włączyć urządzenie, ustaw pokrętko regulacji temperatury w pozycji SMOKE i przyjrzyj się układowi doprowadzającemu podajnika. Widać, że podajnik ślimakowy dostarcza pellet do paleniska. Jeśli nie działa prawidłowo, skontaktuj się z działem obsługi klienta w celu uzyskania pomocy lub części zapasowej.
	Awaria zapalnika	Wyjmij z głównego korpusu beczki elementy do gotowania. Naciśnij przycisk zasilania, aby włączyć urządzenie, ustaw pokrętko regulacji temperatury w pozycji SMOKE i przyjrzyj się zapalnikowi. Po umieszczeniu dłoni nad paleniskiem czujesz ciepło, co świadczy o działaniu zapalnika. Widać, że około 13 mm / 0,5 cala powierzchni zapalnika wystaje w palenisku. Jeśli nie działa prawidłowo, zastosuj się do <b>Procedury ręcznego uruchamiania</b> , aby nadal korzystać z grilla; skontaktuj się jednak z działem obsługi klienta w celu uzyskania pomocy lub informacji o wymianie elementu.
Migające punkty na ekranie LCD	Włączono zapalnik	Nie jest to błąd, który wpływa na pracę grilla. Oznacza to, że urządzenie jest podłączone do zasilania i znajduje się w trybie rozruchu (zapalnik jest włączony). Zapalnik wyłączy się po pięciu minutach. Gdy migające punkty znikną, grill rozpocznie nagrzewanie się do wybranej temperatury.
Migająca wartość temperatury na ekranie LCD	Temperatura grilla wynosi poniżej 65°C / 150°F	Nie jest to błąd, który wpływa na pracę urządzenia; informuje jednak, że istnieje ryzyko zgaśnięcia ognia. Sprawdź, czy w zbiorniku znajduje się wystarczająca ilość paliwa lub czy nie ma uszkodzeń w układzie doprowadzającym. Usuń pellet i zastosuj się do wskazówek <b>Pielęgnacji i konserwacji</b> . Sprawdź temperaturę wskazywaną przez sondę i zastosuj się do wskazówek <b>Pielęgnacji i konserwacji</b> , jeśli zauważysz brud. Sprawdź, czy w palenisku nie osadził się popiół oraz czy nie ma uszkodzeń i zastosuj się do wskazówek <b>Pielęgnacji i konserwacji</b> w przypadku nagromadzenia popiołu. Sprawdź wentylator. Upewnij się, że działa prawidłowo, a dopływ powietrza nie jest zablokowany. Zastosuj się do wskazówek <b>Pielęgnacji i konserwacji</b> , jeśli zauważysz brud. Sprawdź działanie silnika podajnika ślimakowego, aby potwierdzić jego sprawność (rotację) i upewnić się, że nic nie blokuje jego rury.

Błąd „ErH”	Urządzenie się przegrzało, prawdopodobnie z powodu zapalenia się tłuszczu lub zbyt dużej ilości paliwa.	Naciśnij przycisk zasilania, aby wyłączyć urządzenie i ostudzić grill. Zastosuj się do wskazówek <b>Pielęgnacji i konserwacji</b> . Po wykonaniu czynności konserwacyjnych usuń pellet i upewnij się, że wszystkie części są na odpowiednim miejscu. Gdy urządzenie schłodzi się, naciśnij przycisk zasilania, aby je włączyć, a następnie ustaw wybraną temperaturę. Jeśli nadal wyświetla się błąd, skontaktuj się z działem obsługi klienta.
Błąd „Er1”	Przewód sondy temperatury nie nawiązuje połączenia.	Zdejmij panel zabezpieczający zbiornika (zobacz <b>Schemat elementów elektrycznych</b> ) i sprawdź, czy kable sondy temperatury nie są uszkodzone. Upewnij się, że złącza moxex sondy temperatury są stabilnie i prawidłowo podłączone do panelu sterowania.
Błąd „ErP”	Urządzenie nie zostało ostatnim razem poprawnie odłączone od zasilania. Przerwa w zasilaniu podczas pracy urządzenia.	Funkcja bezpieczeństwa zapobiega automatycznemu restartowi. Naciśnij przycisk zasilania, aby wyłączyć urządzenie, a następnie odczekaj dwie minuty i naciśnij przycisk zasilania, aby je ponownie włączyć. Ustaw pokrętko regulacji temperatury w pozycji SMOKE lub wybranej wartości temperatury. Jeśli nadal wyświetla się błąd, skontaktuj się z działem obsługi klienta.
Błąd „noP”	Nieprawidłowe połączenie z otworem przyłączeniowym	Odłącz termosondę do mięsa od otworu przyłączeniowego na panelu sterowania i podłącz ją ponownie. Upewnij się, że przejściówka termosondy jest stabilnie podłączona. Sprawdź, czy na końcówce przejściówki nie ma śladów uszkodzenia. Jeśli nadal nie działa, skontaktuj się z działem obsługi klienta w sprawie wymiany elementu.
	Uszkodzona termosonda do mięsa	Sprawdź, czy na kablach termosondy do mięsa nie ma śladów uszkodzenia. Jeśli są uszkodzenia, skontaktuj się z działem obsługi klienta w sprawie wymiany elementu.
	Awaria panelu sterowania	Wymagana jest wymiana panelu sterowania. Skontaktuj się z działem obsługi klienta w sprawie wymiany elementu.
Temperatura grilla w trybie SMOKE jest zbyt wysoka	Ustawienie „P” ma wartość zbyt NISKĄ	Naciśnij przycisk „P” SET i ustaw wyższy program.
Grill nie osiągnie ani nie utrzyma stabilnej temperatury	Niewystarczający przepływ powietrza przez palenisko	Sprawdź, czy w palenisku nie osadził się popiół i czy nie ma uszkodzeń. Zastosuj się do wskazówek <b>Pielęgnacji i konserwacji</b> w przypadku nagromadzenia popiołu. Sprawdź wentylator. Upewnij się, że działa prawidłowo, a dopływ powietrza nie jest zablokowany. Zastosuj się do wskazówek <b>Pielęgnacji i konserwacji</b> , jeśli zauważysz brud. Sprawdź działanie silnika podajnika ślimakowego, aby potwierdzić jego sprawność i upewnić się, że nic nie blokuje jego rury. Po wykonaniu wszystkich powyższych kroków, uruchom grill, ustaw temperaturę w pozycji SMOKE i odczekaj 10 minut. Upewnij się, że uzyskany płomień jest jasny i żywy.
	Brak paliwa, słaba jakość paliwa, zator w układzie doprowadzającym	Sprawdź stan zbiornika, aby upewnić się, że ilość paliwa jest wystarczająca i uzupełnij go, jeśli poziom jest niski. Jeśli jakość pelletu drzewnego jest niska lub jego granulki zbyt długie, może to prowadzić do zatoru w układzie doprowadzającym. Usuń pellet i zastosuj się do wskazówek <b>Pielęgnacji i konserwacji</b> .
	Sonda temperatury	Sprawdź stan sondy temperatury. Zastosuj się do wskazówek <b>Pielęgnacji i konserwacji</b> , jeśli zauważysz brud. Skontaktuj się z działem obsługi klienta w sprawie wymiany elementu, jeśli ulegnie uszkodzeniu.
Grill wytwarza zbyt dużo dymu lub kolor dymu jest nieprawidłowy	Osadzanie się tłuszczu	Zastosuj się do wskazówek <b>Pielęgnacji i konserwacji</b> .
	Jakość pelletu drzewnego	Usuń wilgotny pellet drzewny ze zbiornika. Zastosuj się do wskazówek Pielęgnacji i konserwacji, aby go wyczyścić. Wymień na pellet suchy.
	Palenisko jest zablokowane	<i>Usuń wilgotny pellet drzewny z paleniska. Zastosuj się do <b>Procedur uzupełniania zbiornika</b>.</i>
	Niewystarczający dopływ powietrza do wentylatora	Sprawdź wentylator. Upewnij się, że działa prawidłowo, a dopływ powietrza nie jest zablokowany. Zastosuj się do wskazówek Pielęgnacji i konserwacji, jeśli zauważysz brud.
Częste wybuchy ognia	Temperatura gotowania	Przyrządzaj potrawy w niższej temperaturze. Tłuszcz ma określoną temperaturę zapłonu. Utrzymuj temperaturę poniżej 176°C / 350°F, gdy gotujesz z użyciem dużej ilości tłuszczu.
	Osadzanie się tłuszczu na elementach do gotowania	Zastosuj się do wskazówek <b>Pielęgnacji i konserwacji</b> .

# SCHEMAT INSTALACJI ELEKTRYCZNEJ

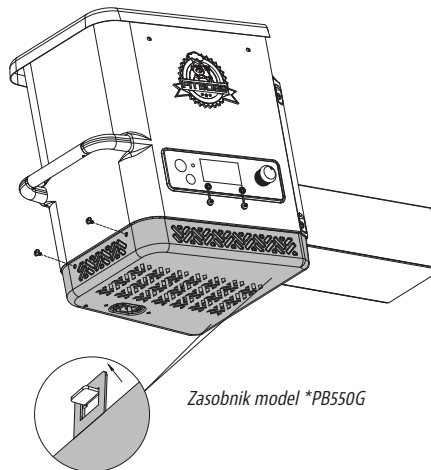
Układ cyfrowego panelu sterowania to technologia skomplikowana i cenna. W celu zabezpieczenia urządzenia przed skokami napięcia i zwarciami zapoznaj się z poniższym schematem instalacji, aby upewnić się, że źródło zasilania urządzenia jest wystarczające do jego działania.

## PB – WYMAGANIA ELEKTRYCZNE 220-240 V, 50 Hz, 250 W, WTYCZKA Z UZIEMIENIEM

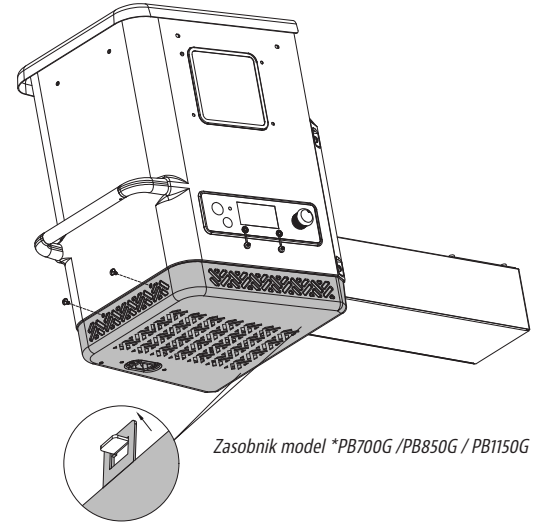
UWAGA: podzespoły elektroniczne, które zostały przetestowane pod kątem bezpieczeństwa i uzyskały certyfikaty, mieszczą się w granicach tolerancji wynoszącej  $\pm 5-10$  procent.

**ZNAJDŹ I WYMIJ  
DWIE ŚRUBY PANELU  
ZABEZPIEZAJĄCEGO  
Z BOKU ZBIORNIKA.**

**ODBLOKUJ DOLNY  
PANEL ZBIORNIKA KU  
DOŁOWI I WSUŃ DO  
TYŁU, ABY GO WYJĄĆ.**

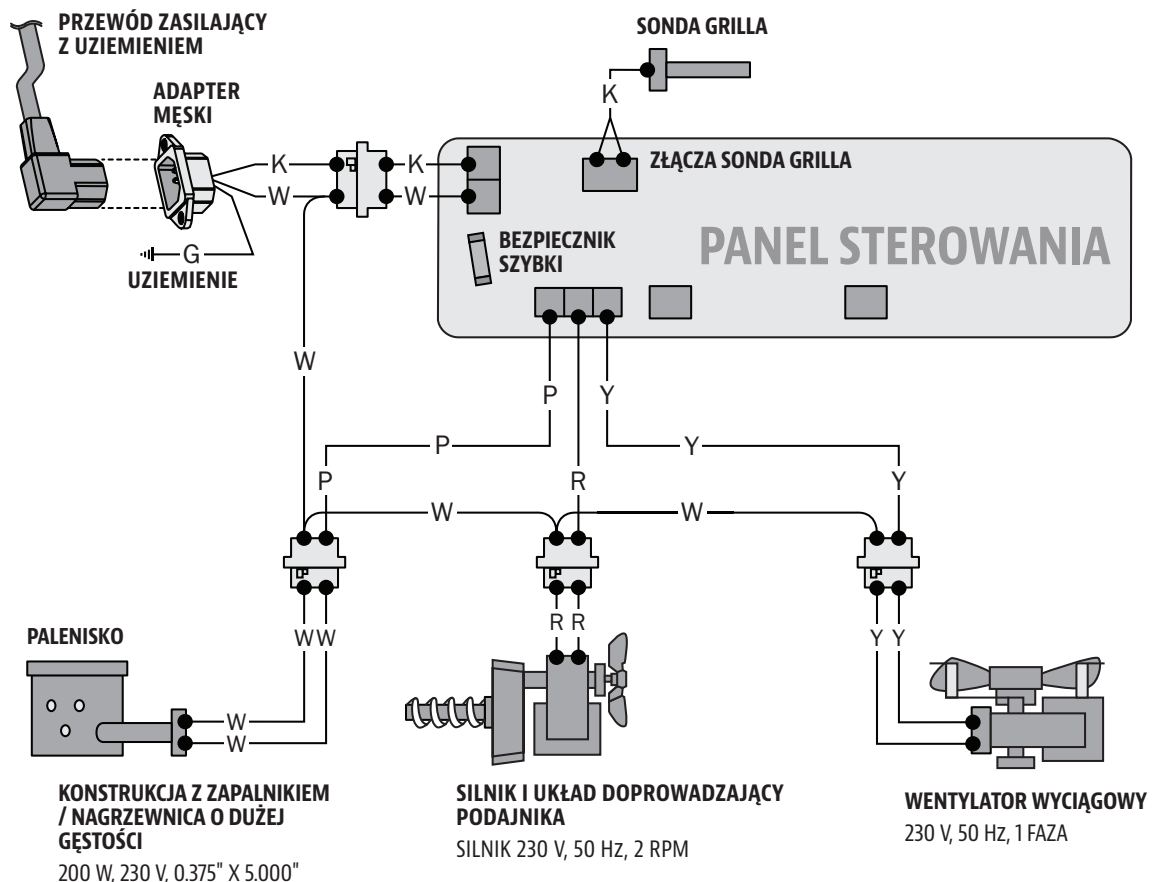


Zasobnik model \*PB550G



Zasobnik model \*PB700G / PB850G / PB1150G

**WSKAŹNIK  
ZUŻYCIA PALIWA:  
2 KG/H  
(4,4 LB/H)**



## CZĘŚCI ZAMIENNE GRILLA PB550G

Nr części	Opis
1-A	Zatrząsk pokrywy (x1)
2-A	Uchwyt pokrywy (x1)
3-A	Zaślepka uchwytu pokrywy (x2)
4-A	Korpus beczkowy (x1)
5-A	Konstrukcja ze zbiornikiem (x1)
6-A	Pręt do regulacji zasłony grillowania na ogniu (x1)
7-A	Uchwyt pręta do regulacji zasłony grillowania na ogniu (x1)
8-A	Zasłona płomienia (x1)
9-A	Płyta główna do grillowania na ogniu (x1)
10-A	Lewa przednia noga (x1)
11-A	Lewa tylna noga (x1)
12-A	Prawa przednia noga (x1)
13-A	Prawa tylna noga (x1)
14-A	Spód lewej przedniej nogi (x1)
15-A	Spód lewej tylnej nogi (x1)
16-A	Kółka (x2)
17-A	Prawa tylna podstawka mocująca (x1)
18-A	Lewa tylna podstawka mocująca (x1)
19-A	Krótka podstawka mocująca (x2)

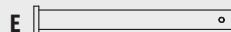
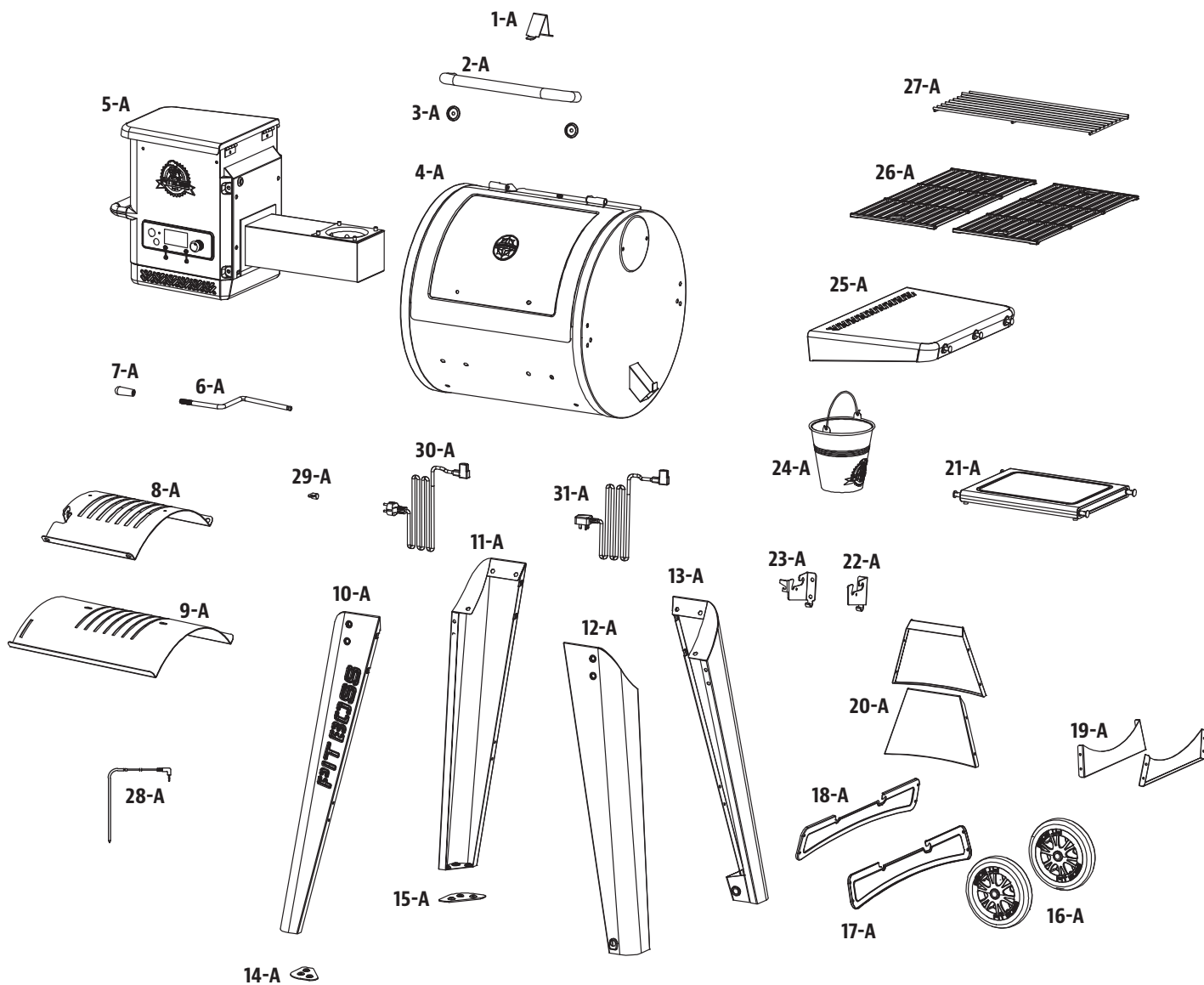
Nr części	Opis
20-A	Przednia / tylna długa podstawka mocująca (x2)
21-A	Półka przednia (x1)
22-A	Prawy wspornik półki przedniej (x1)
23-A	Lewy wspornik półki przedniej (x1)
24-A	Wiadro na tłuszcz (x1)
25-A	Prawy stolik boczny (x1)
26-A	Ruszt do gotowania (x2)
27-A	Ruszt do podgrzewania (x1)
28-A	Termosonda do mięsa (x1)
29-A	Zaczep przewodu zasilającego (x1)
30-A	Przewód zasilający – wtyczka F (x1)
31-A	Przewód zasilający – wtyczka G (x1)
A	Śruba (x18)
B	Podkładka (x18)
C	Podkładka zabezpieczająca (x18)
D	Śruby (x30)
E	Sworznie zwrotnicy do koła (x2)
F	Zawleczeni do koła (x2)
G	Podkładki do koła (x2)

UWAGA: Ze względu na nieustanny rozwój produktu jego części mogą zostać zmienione bez uprzedzenia.

Ilustracja ze schematem na następnej stronie.

MODEL	WYMIARY (SxWxG)	WAGA	STREFA GRILLOWANIA	ZAKRES TEMP.	FUNKCJE CYFROWE
PB PB550G	1227mm x 1195mm x 868mm / 48,3 in. x 47 in. x 34,17 in.	55,7 kg / 122,8 lb	Grill główny- 2580,6 cm <sup>2</sup> / 400 in <sup>2</sup> Ruszt górny- 920 cm <sup>2</sup> / 142,6 in <sup>2</sup> <b>OGÓŁEM - 3500,6 cm<sup>2</sup> / 542,6 in<sup>2</sup></b>	82-260°C / 180-500°F	Dziesięć ustawień temperatury, cykle rozruchu i chłodzenia, zapalnik elektryczny

# CZĘŚCI ZAMIENNE GRILLA PB550G



PL

POLSKIE

## CZĘŚCI ZAMIENNE GRILLA PB700G

Nr części	Opis
1-A	Zatrząsk pokrywy (x1)
2-A	Uchwyt pokrywy (x1)
3-A	Zaślepka uchwytu pokrywy (x2)
4-A	Korpus beczkowy (x1)
5-A	Konstrukcja ze zbiornikiem (x1)
6-A	Pręt do regulacji zasłony grillowania na ogniu (x1)
7-A	Uchwyt pręta do regulacji zasłony grillowania na ogniu (x1)
8-A	Zasłona płomienia (x1)
9-A	Płyta główna do grillowania na ogniu (x1)
10-A	Lewa przednia noga (x1)
11-A	Lewa tylna noga (x1)
12-A	Prawa przednia noga (x1)
13-A	Prawa tylna noga (x1)
14-A	Spód lewej przedniej nogi (x1)
15-A	Spód lewej tylnej nogi (x1)
16-A	Kółka (x2)
17-A	Prawa tylna podstawka mocująca (x1)
18-A	Lewa tylna podstawka mocująca (x1)
19-A	Krótką podstawka mocująca (x2)
20-A	Przednia długa podstawka mocująca (x1)

Nr części	Opis
21-A	Tylna długa podstawka mocująca (x1)
22-A	Półka przednia (x1)
23-A	Prawy wspornik półki przedniej (x1)
24-A	Lewy wspornik półki przedniej (x1)
25-A	Wiadro na tłuszcz (x1)
26-A	Prawy stolik boczny (x1)
27-A	Ruszt do gotowania (x2)
28-A	Ruszt do podgrzewania (x1)
29-A	Termosonda do mięsa (x1)
30-A	Zaczep przewodu zasilającego (x1)
31-A	Przewód zasilający – wtyczka F (x1)
32-A	Przewód zasilający – wtyczka G (x1)
A	Śruba (x18)
B	Podkładka (x18)
C	Podkładka zabezpieczająca (x18)
D	Śruby (x30)
E	Sworznie zwrotnicy do koła (x2)
F	Zawlecзки do koła (x2)
G	Podkładki do koła (x2)

UWAGA: Ze względu na nieustanny rozwój produktu jego części mogą zostać zmienione bez uprzedzenia.

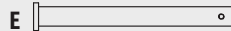
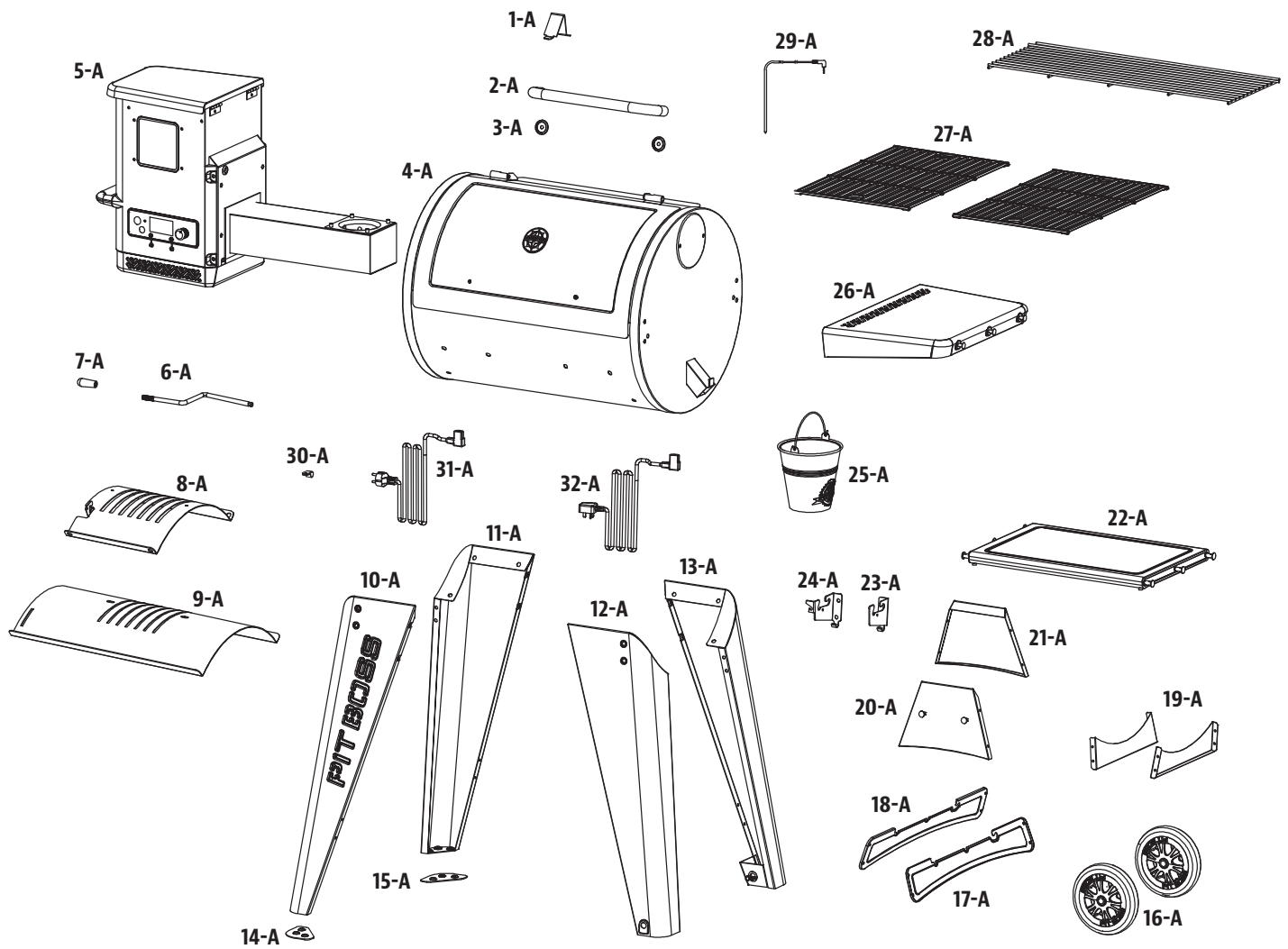
Ilustracja ze schematem na następnej stronie.

MODEL	WYMIARY (SxWxG)	WAGA	STREFA GRILLOWANIA	ZAKRES TEMP.	FUNKCJE CYFROWE
PB PB700G	1388mm x 1195mm x 940mm / 54,6 in. x 47 in. x 37 in.	66,5 kg / 146,61 lb	Grill główny- 3109 cm <sup>2</sup> / 482 in <sup>2</sup> Ruszt górny- 1341 cm <sup>2</sup> / 208 in <sup>2</sup> <b>OGÓŁEM - 4450 cm<sup>2</sup> / 690 in<sup>2</sup></b>	82-260°C / 180-500°F	Dziesięć ustawień temperatury, cykle rozruchu i chłodzenia, zapalnik elektryczny

PL

POLSKIE

# CZĘŚCI ZAMIENNE GRILLA PB700G





## CZĘŚCI ZAMIENNE GRILLA PB850G

Nr części	Opis
1-A	Zatrząsk pokrywy (x1)
2-A	Uchwyt pokrywy (x1)
3-A	Zaślepka uchwytu pokrywy (x2)
4-A	Korpus beczkowy (x1)
5-A	Konstrukcja ze zbiornikiem (x1)
6-A	Pręt do regulacji zastony grillowania na ogniu (x1)
7-A	Uchwyt pręta do regulacji zastony grillowania na ogniu (x1)
8-A	Zasłona płomienia (x1)
9-A	Płyta główna do grillowania na ogniu (x1)
10-A	Lewa przednia noga (x1)
11-A	Lewa tylna noga (x1)
12-A	Prawa przednia noga (x1)
13-A	Prawa tylna noga (x1)
14-A	Spód lewej przedniej nogi (x1)
15-A	Spód lewej tylnej nogi (x1)
16-A	Zestaw kołowy skrętny z hamulcem (x2)
17-A	Kółka (x2)
18-A	Prawa tylna podstawka mocująca (x1)
19-A	Lewa tylna podstawka mocująca (x1)
20-A	Krótką podstawka mocująca (x2)
21-A	Przednia długa podstawka mocująca (x1)

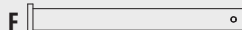
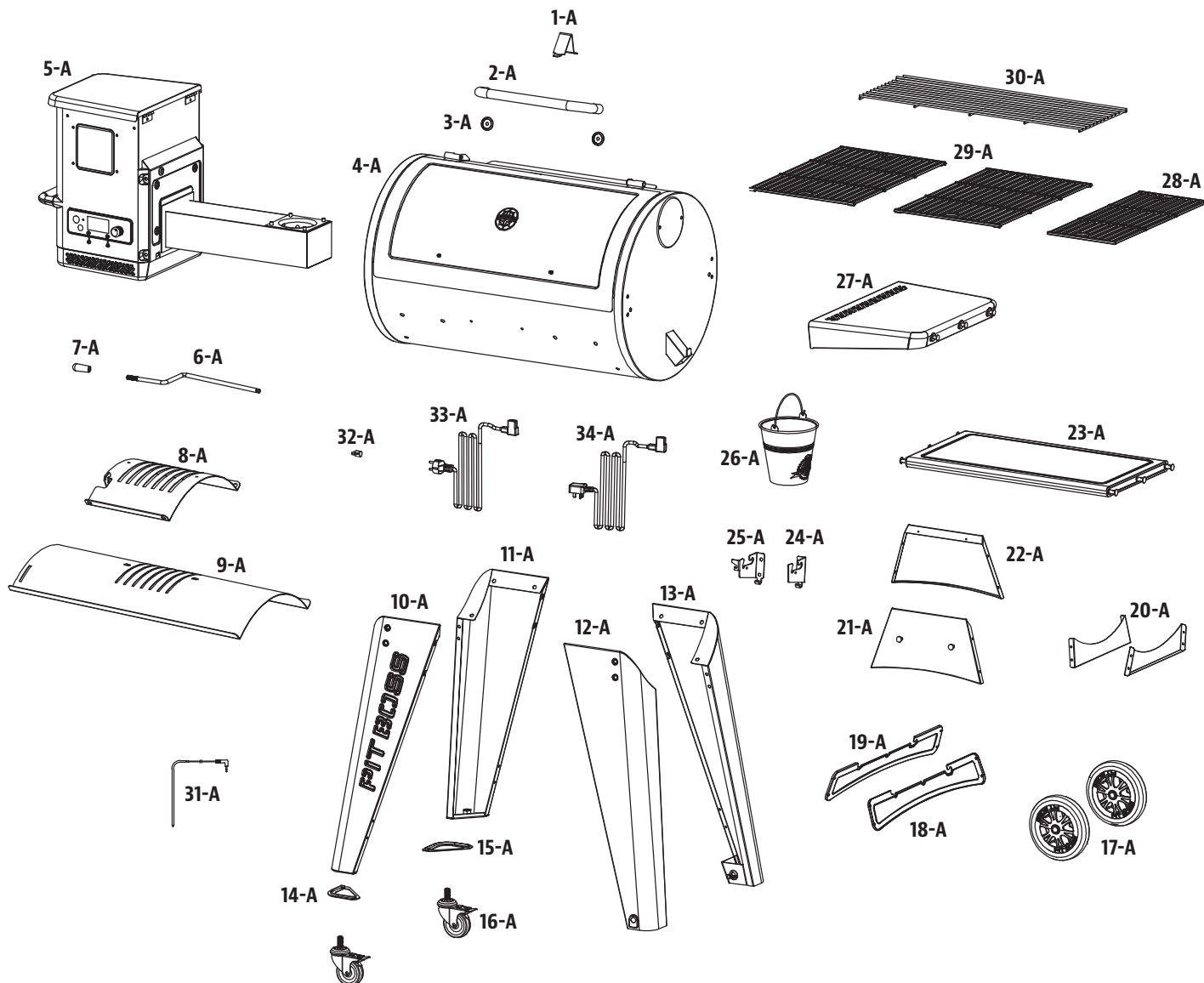
Nr części	Opis
22-A	Tylna długa podstawka mocująca (x1)
23-A	Półka przednia (x1)
24-A	Prawy wspornik półki przedniej (x1)
25-A	Lewy wspornik półki przedniej (x1)
26-A	Wiadro na tłuszcz (x1)
27-A	Prawy stolik boczny (x1)
28-A	Ruszt A do gotowania (x1)
29-A	Ruszt B do gotowania (x2)
30-A	Ruszt do podgrzewania (x1)
31-A	Termosonda do mięsa (x1)
32-A	Zaczep przewodu zasilającego (x1)
33-A	Przewód zasilający – wtyczka F (x1)
34-A	Przewód zasilający – wtyczka G (x1)
A	Śruba (x18)
B	Podkładka (x18)
C	Podkładka zabezpieczająca (x18)
D	Śruby (x30)
E	Śruby (x4)
F	Sworznie zwrotnicy do koła (x2)
G	Zawleczeni do koła (x2)
H	Podkładki do koła (x2)

UWAGA: Ze względu na nieustanny rozwój produktu jego części mogą zostać zmienione bez uprzedzenia.

Ilustracja ze schematem na następnej stronie.

MODEL	WYMIARY (SxWxG)	WAGA	STREFA GRILLOWANIA	ZAKRES TEMP.	FUNKCJE CYFROWE
PB PB850G	1,472mm x 1,195mm x 940mm / 57.9 in. x 47 in. x 37 in.	74.5kg / 164.24 lb	Grill główny- 3825,8 cm <sup>2</sup> / 593 in <sup>2</sup> Ruszt górny- 1845,2 cm <sup>2</sup> / 286 in <sup>2</sup> <b>OGÓŁEM - 5671 cm<sup>2</sup> / 879 in<sup>2</sup></b>	82-260°C / 180-500°F	Dziesięć ustawień temperatury, cykle rozruchu i chłodzenia, zapalnik elektryczny

# CZĘŚCI ZAMIENNE GRILLA PB850G



## CZĘŚCI ZAMIENNE GRILLA PB1150G

Nr części	Opis
1-A	Zatrząsk pokrywy (x1)
2-A	Uchwyt pokrywy (x1)
3-A	Zaślepka uchwytu pokrywy (x2)
4-A	Korpus beczkowy (x1)
5-A	Konstrukcja ze zbiornikiem (x1)
6-A	Pręt do regulacji zasłony grillowania na ogniu (x1)
7-A	Uchwyt pręta do regulacji zasłony grillowania na ogniu (x1)
8-A	Zasłona płomienia (x1)
9-A	Płyta główna do grillowania na ogniu (x1)
10-A	Lewa przednia noga (x1)
11-A	Lewa tylna noga (x1)
12-A	Prawa przednia noga (x1)
13-A	Prawa tylna noga (x1)
14-A	Spód lewej przedniej nogi (x1)
15-A	Spód lewej tylnej nogi (x1)
16-A	Zestaw kołowy skrętny z hamulcem (x2)
17-A	Kółka (x2)
18-A	Prawa tylna podstawka mocująca (x1)
19-A	Lewa tylna podstawka mocująca (x1)
20-A	Krótką podstawka mocująca (x2)
21-A	Przednia długa podstawka mocująca (x1)
22-A	Tylna długa podstawka mocująca (x1)

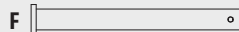
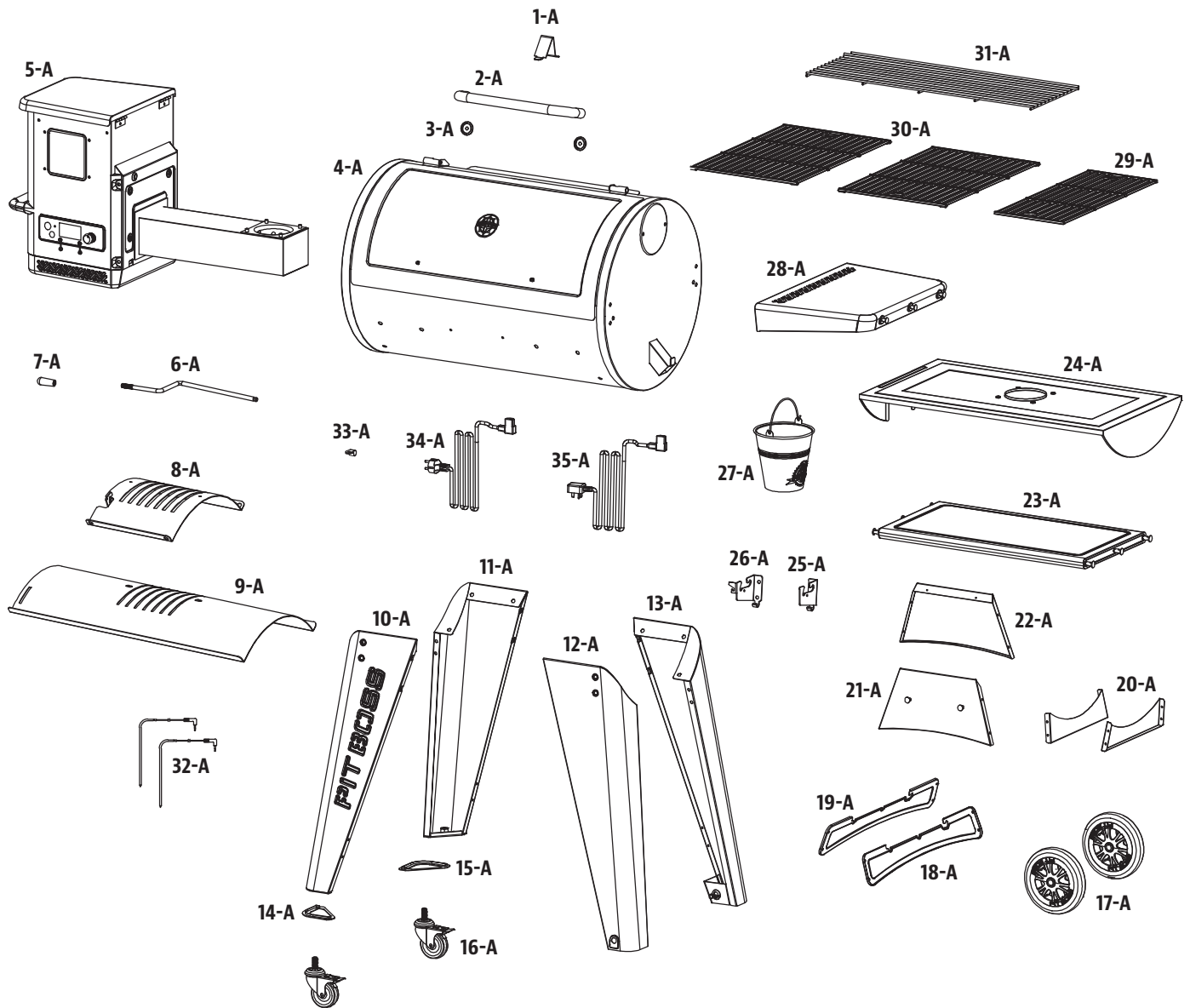
Nr części	Opis
23-A	Półka przednia (x1)
24-A	Płyta dyfuzora (x1)
25-A	Prawy wspornik półki przedniej (x1)
26-A	Lewy wspornik półki przedniej (x1)
27-A	Wiadro na tłuszcz (x1)
28-A	Prawy stolik boczny (x1)
29-A	Ruszt A do gotowania (x1)
30-A	Ruszt B do gotowania (x2)
31-A	Ruszt do podgrzewania (x1)
32-A	Termosonda do mięsa (x2)
33-A	Zaczep przewodu zasilającego (x1)
34-A	Przewód zasilający – wtyczka F (x1)
35-A	Przewód zasilający – wtyczka G (x1)
A	Śruba (x18)
B	Podkładka (x18)
C	Podkładka zabezpieczająca (x18)
D	Śruby (x30)
E	Śruby (x6)
F	Sworznie zwrotnicy do koła (x2)
G	Zawleczeni do koła (x2)
H	Podkładki do koła (x2)

UWAGA: Ze względu na nieustanny rozwój produktu jego części mogą zostać zmienione bez uprzedzenia.

Ilustracja ze schematem na następnej stronie.

MODEL	WYMIARY (SxWxG)	WAGA	STREFA GRILLOWANIA	ZAKRES TEMP.	FUNKCJE CYFROWE
PB PB1150G	1622mm x 1195mm x 940mm / 63,86 in. x 47 in. x 37 in.	84 kg / 185,19 lb	Grill główny- 4587,1 cm <sup>2</sup> / 711 in <sup>2</sup> Ruszt górny- 2883,9 cm <sup>2</sup> / 447 in <sup>2</sup> <b>OGÓŁEM - 7471 cm<sup>2</sup> / 1158 in<sup>2</sup></b>	82-260°C / 180-500°F	Dziesięć ustawień temperatury, cykle rozruchu i chłodzenia, zapalnik elektryczny

# CZĘŚCI ZAMIENNE GRILLA PB1150G

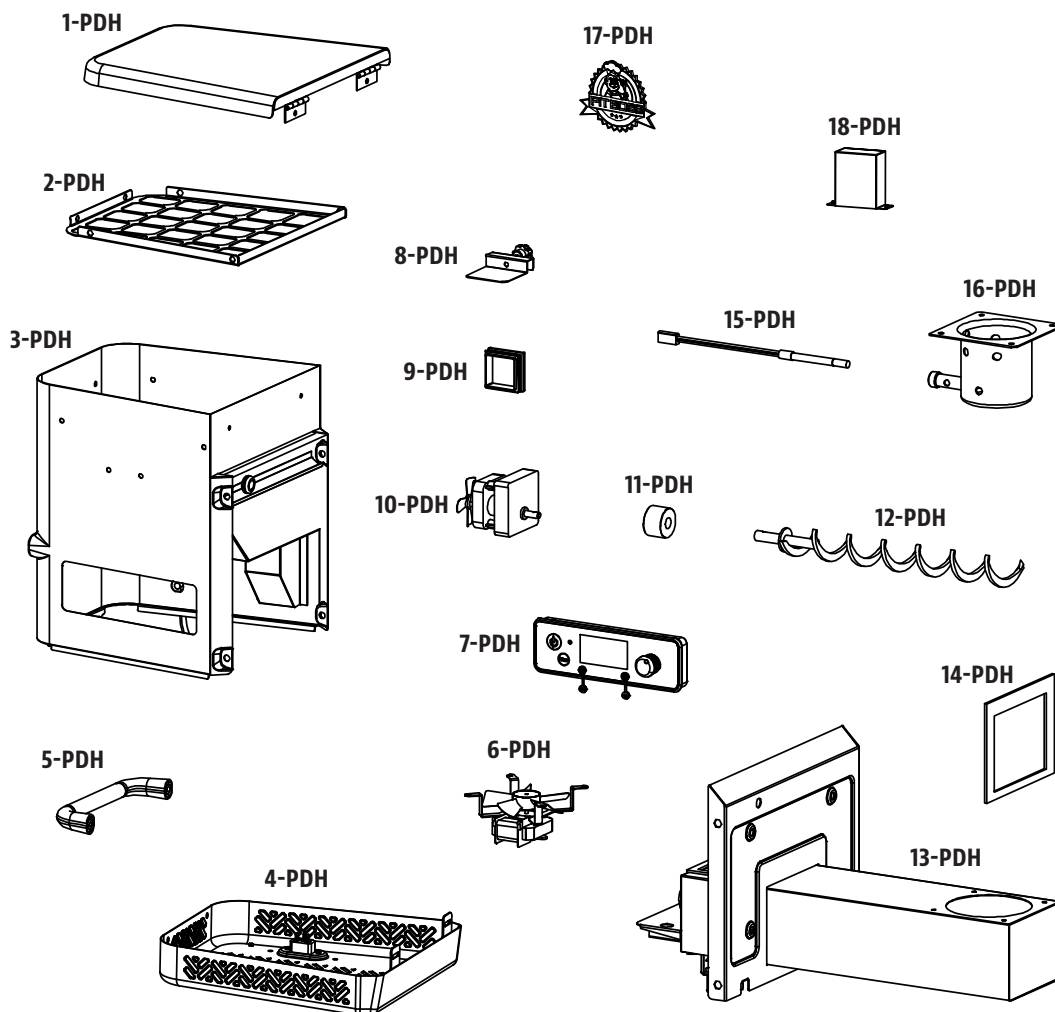


# CZĘŚCI ZAMIENNE ZBIORNIKA PB550G

Nr części	Opis
1-PDH	Pokrywa zbiornika (x1)
2-PDH	Ostona zabezpieczająca zbiornika (x1)
3-PDH	Obudowa zbiornika (x1)
4-PDH	Panel zabezpieczający zbiornika (x1)
5-PDH	Uchwyt zbiornika (x1)
6-PDH	Wentylator powietrza do spalania (x1)
7-PDH	Panel sterowania urządzenia Pit Boss® (x1)
8-PDH	Płytki rynny zsykowej (x1)
9-PDH	Ostłonka rynny zsykowej (x1)

Nr części	Opis
10-PDH	Silnik podajnika ślimakowego (x1)
11-PDH	Tuleja nylonowa (x1)
12-PDH	Spirala ślimakowa (x1)
13-PDH	Obudowa podajnika ślimakowego (x1)
14-PDH	Uszczelka obudowy zbiornika (x1)
15-PDH	Zapalnik (x1)
16-PDH	Palenisko (x1)
17-PDH	Tabliczka znamionowa (x1)
18-PDH	Wodoodporna ostłona przewodu zasilającego (x1)

UWAGA: Ze względu na nieustanny rozwój produktu jego części mogą zostać zmienione bez uprzedzenia.

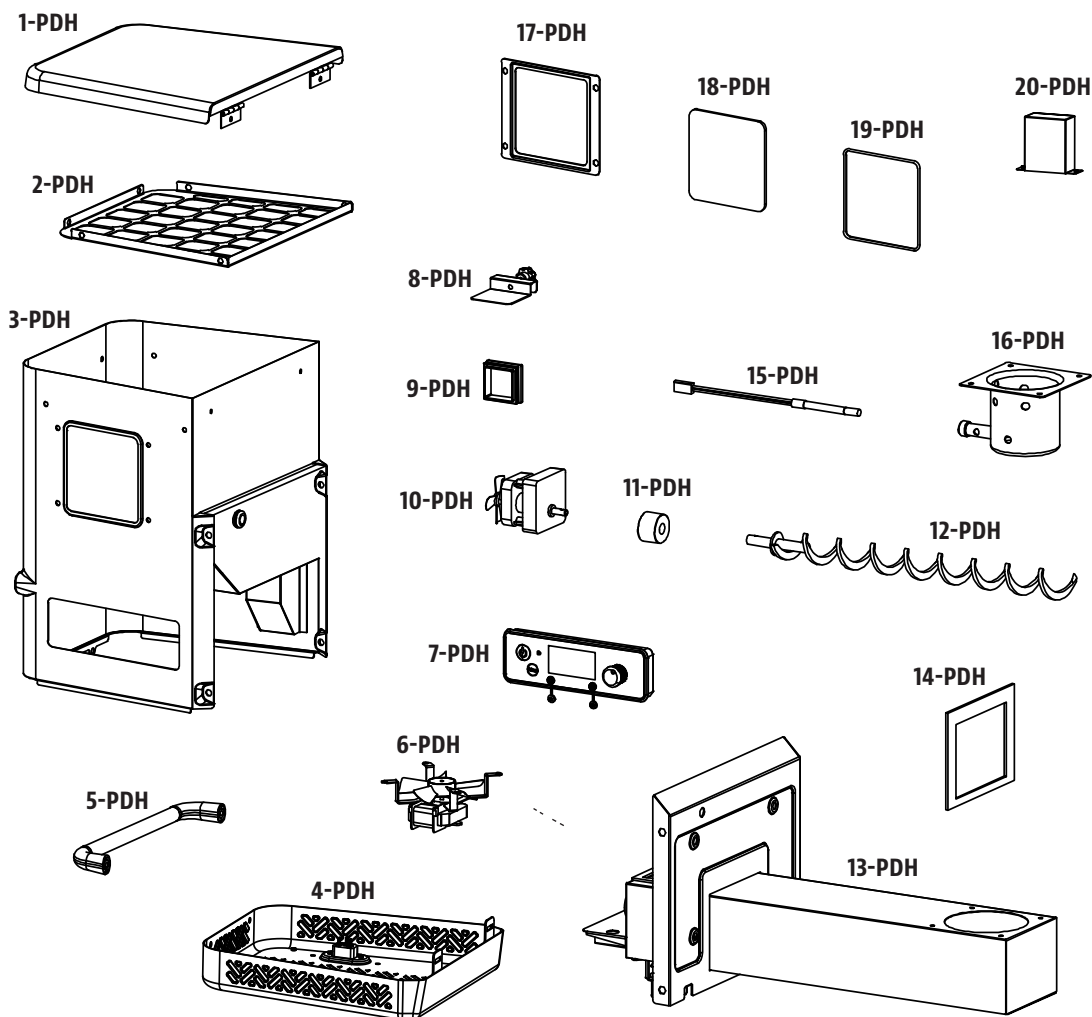


# CZĘŚCI ZAMIENNE ZBIORNIKA PB700G / PB850G / PB1150G

Nr części	Opis
1-PDH	Pokrywa zbiornika (x1)
2-PDH	Ostona zabezpieczająca zbiornika (x1)
3-PDH	Obudowa zbiornika (x1)
4-PDH	Panel zabezpieczający zbiornika (x1)
5-PDH	Uchwyt zbiornika (x1)
6-PDH	Wentylator powietrza do spalania (x1)
7-PDH	Panel sterowania urządzenia Pit Boss® (x1)
8-PDH	Płytki rynny zsypanej (x1)
9-PDH	Ostłonka rynny zsypanej (x1)
10-PDH	Silnik podajnika ślimakowego (x1)

Nr części	Opis
11-PDH	Tuleja nylonowa (x1)
12-PDH	Spirala ślimakowa (x1)
13-PDH	Obudowa podajnika ślimakowego (x1)
14-PDH	Uszczelka obudowy zbiornika (x1)
15-PDH	Zapałnik (x1)
16-PDH	Palenisko (x1)
17-PDH	Płyta szklana (x1)
18-PDH	Szkoło (x1)
19-PDH	Uszczelka gumowa (x1)
20-PDH	Wodoodporna ostona przewodu zasilającego (x1)

UWAGA: Ze względu na nieustanny rozwój produktu jego części mogą zostać zmienione bez uprzedzenia.



# GWARANCJA

## WARUNKI

Wszystkie grille na pellet drzewny Pit Boss produkowane przez firmę Dansons Inc. objęte są ograniczoną gwarancją od daty kupna przez pierwszego właściciela. Okres gwarancji rozpoczyna się w dniu pierwszego zakupu i do potwierdzenia ważności gwarancji wymagane jest zaświadczenie o dacie zakupu lub kopia oryginalnego paragonu. Klienci będą zobowiązani uiszczać opłaty za części, wysyłkę i obsługę, jeśli nie będą w stanie przedstawić dowodu zakupu lub jeśli upłynie okres gwarancji.

Firma Dansons udziela gwarancji usunięcia usterek i wad wykonawczych na okres pięciu (5) lat dla wszystkich części urządzenia i także na okres pięciu (5) lat dla podzespołów elektronicznych. Dansons gwarantuje, że przez cały okres użytkowania urządzenia i dysponowania nim przez pierwszego nabywcę, wszystkie części urządzenia będą wolne od wad materiałowych i wykonawczych. Gwarancja nie obejmuje uszkodzeń spowodowanych zużyciem, w tym zarysowań, wgnieceń, wygięć, odprysków lub drobnych pęknięć. Te zmiany to problem natury estetycznej, który nie ma wpływu na działanie grilla. Naprawa lub wymiana dowolnej części nie wydłuża gwarancji ograniczonej do okresu dłuższego niż pięć (5) lat od daty zakupu.

W okresie obowiązywania gwarancji wyłącznym obowiązkiem firmy Dansons będzie dostarczanie zamienników wadliwych i/lub uszkodzonych komponentów. Firma Dansons nie będzie pobierać opłat za naprawę lub wymianę zwracanych części i opłacony z góry fracht, pod warunkiem, że gwarancja nadal będzie obowiązywać i Dansons uzna te części za wadliwe na podstawie badania. Dansons nie ponosi odpowiedzialności za opłaty transportowe, koszty pracy ani cła wywozowe. O ile niniejsze warunki gwarancji nie stanowią inaczej, naprawa lub wymiana części w sposób i w okresie określonym powyżej będzie tożsama z wypełnieniem wszystkich bezpośrednich i pochodnych zobowiązań Dansons wobec nabywcy urządzenia.

Dansons dokłada wszelkich starań, aby wykorzystywane materiały opóźniały pojawianie się rdzy. Nawet przy takich zabezpieczeniach powłoki ochronne mogą być narażone na działanie różnych substancji i warunków atmosferycznych, na co Dansons nie ma wpływu. Wysokie temperatury, nadmierna wilgotność, chlor, spaliny przemysłowe, nawozy, pestycydy i sól to tylko niektóre z substancji, które mogą mieć wpływ na stan metalowych powłok. Z tego względu gwarancja nie obejmuje rdzewienia ani oksydacji, chyba że nastąpi utrata integralności konstrukcyjnej elementu grilla. W razie wystąpienia jakiegokolwiek z powyższych problemów, prosimy o zapoznanie się z rozdziałem dotyczącym pielęgnacji i konserwacji, które pozwalają na przedłużenie żywotności urządzenia. Dansons zaleca zamykanie pokrywy grilla, gdy nie jest on używany.

Niniejsza gwarancja dotyczy produktu nabytego do normalnego użytku domowego i żadna ograniczona gwarancja nie ma zastosowania w przypadku urządzenia, które używane jest w celach komercyjnych.

## WYJĄTKI

Nie istnieje żadna pisemna ani dorozumiana gwarancja wydajności urządzeń Pit Boss®, ponieważ producent nie ma kontroli nad instalacją, obsługą, pielęgnacją, konserwacją ani rodzajem spalanego paliwa. Niniejsza gwarancja nie będzie miała zastosowania, a firmę Dansons obejmować będzie wyłącznie odpowiedzialność w wypadku, gdy instalacja, obsługa, pielęgnacja i konserwacja nie były przeprowadzane zgodnie z instrukcją użytkownika. Każde niezgodne z niniejszą instrukcją użycie gazu może unieważnić gwarancję. Gwarancja nie obejmuje uszkodzeń ani stłuczeń spowodowanych niewłaściwym użytkowaniem, nieprawidłową obsługą lub wprowadzonymi modyfikacjami.

Ani Dansons, ani autoryzowany sprzedawca Pit Boss®, nie ponoszą odpowiedzialności prawnej ani żaden innej za szkody uboczne lub następne wyrządzone osobom i w majątku, powstałe w wyniku użytkowania tego produktu. Niezależnie od tego, czy roszczenie dotyczy firmy Dansons w oparciu o naruszenie niniejszej gwarancji czy też dowolnego innego rodzaju gwarancji wyrażonej lub dorozumianej przez prawo, producent w żadnym wypadku nie ponosi odpowiedzialności za jakiegokolwiek szczególne, pośrednie, wynikowe lub inne szkody dowolnego typu, które nie powstały w ramach pierwszego zakupu tego produktu. Wszelkie gwarancje producenta są określone w niniejszym dokumencie i nie można dochodzić żadnych roszczeń względem producenta z tytułu żadnej innej gwarancji lub oświadczenia.

Niektóre stany USA nie zezwalają na wyłączenie lub ograniczenie odpowiedzialności za szkody uboczne lub następne, a także na ograniczone gwarancje dorozumiane, dlatego ograniczenia lub wyłączenia określone w niniejszej gwarancji ograniczonej nie wszędzie mają zastosowanie. Niniejsza ograniczona gwarancja zapewnia określone prawa, ale prawa te mogą być różne dla różnych stanów USA.

## ZAMAWIANIE CZĘŚCI ZAMIENNYCH GRILLA

Aby zamówić części zamienne, skontaktuj się z lokalnym sprzedawcą Pit Boss® lub odwiedź nasz sklep internetowy: [www.pitboss-grills.com](http://www.pitboss-grills.com)

## KONTAKT DO DZIAŁU OBSŁUGI KLIENTA

Jeśli masz jakiegokolwiek pytania lub problemy, skontaktuj się z działem obsługi klienta, od poniedziałku do niedzieli, 4-20 PST (EN/FR/ES).

[service@pitboss-grills.com](mailto:service@pitboss-grills.com) | **Bezpłatna infolinia: 1-877-303-3134** | **Bezpłatny faks: 1-877-303-3135**

## OBSŁUGA GWARANCYJNA

W celu naprawy lub zamówienia części zamiennych skontaktuj się z najbliższym sprzedawcą Pit Boss®. Dansons Inc. wymaga dowodu zakupu do ustalenia zasadności roszczenia gwarancyjnego; zachowaj zatem oryginalny paragon lub fakturę, by mieć do nich dostęp w przyszłości. Numer seryjny i model urządzenia Pit Boss znajdują się z tyłu zbiornika. Zapisz te numery poniżej, ponieważ etykieta może z czasem wyblaknąć lub stać się nieczytelna.

---

MODEL

---

NUMER SERYJNY

---

DATA ZAKUPU

---

AUTORYZOWANY SPRZEDAWCA



# SÄKERHETSINFORMATION

**HUVUDSAKLIGA ORSAKER TILL ATT APPARATEN FATTAR ELD ÄR ETT RESULTAT AV DÅLIGT UNDERHÅLL OCH UNDERLÅTENHET ATT HÅLLA SÄKERT AVSTÅND FRÅN BRANDFARLIGA MATERIAL. DET ÄR AV YTTERSTA VIKT ATT DEN HÄR PRODUKTEN ENDAST ANVÄNDS I ENLIGHET MED FÖLJANDE INSTRUKTIONER.**

Läs igenom och se till att du förstår hela bruksanvisningen före du börjar montera, använda eller installera produkten. Det säkerställer att användningen av din nya pelletsgrill blir en behaglig och problemfri upplevelse. Vi rekommenderar även att du sparar bruksanvisningen för framtida bruk.

## FAROR OCH VARNINGAR

**Du måste kontakta ditt lokala bostadsbolag, byggnads- eller brandtjänstemän eller annan relevant myndighet för att få nödvändiga tillstånd och information om installationsbegränsningar, som till exempel avser placering av grillen på en brandfarlig yta, inspektionskrav eller till och med användningsförmåga, för ditt område.**

1. Det krävs ett minsta avstånd på 914 mm (36 tum) mellan brandfarliga konstruktioner och grillens alla sidor. **Installera inte apparaten på brandfarliga golv, eller golv som är skyddade med brandfarliga material utan att giltiga tillstånd erhållits från behörig myndighet.** Använd inte apparaten inomhus eller i ett omslutet utrymme utan ventilation. Placera inte pelletsapparaten under överhängen eller markiser. Placera grillen på en yta som är fri från brandfarliga material, bensin och andra brandfarliga ångor eller vätskor.

**Om det skulle uppstå en fettbrand slår du av grillen och lämnar locket på tills branden har släckts. Dra ut strömssladden från kontaktuttaget. Slå inget vatten över enheten. Försök inte kväva elden. Det är rekommenderat att placera en brandsläckare i klass ABC på plats. Om en okontrollerad brand inträffar ringer du brandkåren.**

2. Håll elsladdar och bränsle på lämpligt avstånd från varma ytor. Använd inte grillen när det regnar eller runt någon vattenkälla.
3. Om grillen har ställts undan eller inte använts under en tid bör du kontrollera att grillgallret inte är tilltäppt, att det inte finns främmande material i pelletstanken och att luftintaget inte är blockerat till fläkten, skorstenen eller de bakre utsugshålen. Rengör före användning. Regelbundet underhåll krävs för att förlänga enhetens livstid. **Om grillen förvaras utomhus under årstider med mycket regn och fuktighet är det viktigt att vara aktsam så att det inte tränger in vatten i pelletstanken.** Om träpellets exponeras för hög fuktighet sväller de och löses upp och kan skapa stopp i matningssystemet. Slå alltid av strömmen innan du utför service och underhåll.

**Flytta inte på grillen under användning eller när den är varm. Se till att lågan är släckt och att grillen är helt avsväljad innan du vidrör eller flyttar den.**

4. Vi rekommenderar att du använder värmebeständiga grillhandskar när du använder grillen. Använd inte tillbehör som inte är avsedda att användas med den här apparaten. Lagg inte grillöverdraget eller något brandfarligt material i förvaringsutrymmet under grillen.
5. För att förebygga att fingrar, kläder och andra objekt kommer i kontakt med inmatningssystemet, är apparaten utrustad med en metallskärm som monteras på insidan av pelletstanken. Den här skärmen får inte tas bort såvida du inte uppmanas av kundtjänst eller en auktoriserad återförsäljare.

**Den här apparaten rekommenderas inte för barn, personer med fysiska, kognitiva eller psykiska funktionshinder, eller utan erfarenhet och kunskap, såvida det inte sker under direkt överinseende eller handledning av en person som ansvarar för säkerheten.**

6. Vissa delar av grillen kan vara mycket heta och orsaka allvarlig skada. Se till att hålla barn och husdjur på lämpligt avstånd under användning.
7. Förstora inte tändarhål eller förbränningskammare. Underlåtenhet att följa den här varningen kan leda till brandrisk och kroppsskada och täcks inte av garantin.
8. Produkten kan ha vassa kanter och hörn. Kontakt kan resultera i kroppsskada. Hantera varsamt.

## BORTSKAFFANDE AV ASKA

Aska ska läggas i en metallbehållare med tättslutande lock. Den förslutna behållaren med aska ska placeras på ett icke-brandfarligt golv eller på marken på säkert avstånd från brandfarliga material i väntan på bortskaffande. Om askan ska avyttras genom att grävas ned eller på annat sätt spridas lokalt, ska den först behållas i behållaren tills den är helt avsväljad.

## BRÄNSLEPELLETS I TRÄ

Den här pelletsapparaten har utformats och godkänts för endast pelletiserat träbränsle. Vid eventuell användning av andra bränsletyper i apparaten upphävs garantin och säkerhetslistningen. Endast pelletiserat träbränsle som är avsett för pelletsgrillar får användas. Använd inte bränsle med tillsatser. Träpellets är mycket känsliga för fukt och ska alltid förvaras i en lufttät behållare. Om du ställer undan grillen under en längre period, rekommenderar vi att du tömmer och rengör pelletstanken och inmatningsenheten för att förebygga stopp.

**Använd inte sprit, olja, bensin, tändvätska eller fotogen för att tända eller få fyr på glöden i grillen. Förvara alla sådana vätskor på lämpligt avstånd när grillen används.**

Vid tidpunkten för tryckning finns ingen branschstandard för grillpellets men de flesta pelletverk använder samma standarder vid tillverkning av träpellets för hushållsbruk. Mer information finns på [www.pelletheat.org](http://www.pelletheat.org) eller hos **Pellet Fuel Institute**.

Kontakta din lokala återförsäljare för information om pelletskvalitet i ditt område och olika varumärken. Eftersom de inte finns någon kvalitetskontroll tar vi inget ansvar för skada som orsakas av dålig bränslekvalitet.

## KREOSOT

Kreosot, eller sot, är en tjärliknande substans. Vid förbränning bildas en svart rök med en rest som också är svart. Sot eller kreosot bildas när apparaten hanteras felaktigt, till exempel: blockering av förbränningsfläkten, underlåtenhet att rengöra och underhålla förbränningsområdet, fuktscadade pellets eller bristande luft/bränsleförbränning.

Det är farligt att använda apparaten om lågan blir mörk, sotig eller om förbränningskammaren är överfylld med pellets. När kreosot tänds skapas en extremt het och okontrollerad eld som liknar fettbrand. Om det skulle inträffa slår du av enheten, låter den svalna och utför sedan underhåll och rengöring. Det byggs ofta upp rester vid utloppsområden.

Om det har bildats kreosot inuti enheten värmer du upp enheten till en låg temperatur, slår av den och torkar sedan ur den med en handduk. Kreosot är lättare att rengöra om enheten är varm eftersom det blir flytande, på samma sätt som tjära.

## KOLMONOXID ("DEN TYSTA MÖRDAREN")

Kolmonoxid är en färglös, luktfri, smaklös gas som bildas vid förbränning av gas, trä, propan, träkol eller annat bränsle. Kolmonoxid begränsar blodets förmåga att ta upp syre. Låga syrenivåer i blodet kan resultera i huvudvärk, yrsel, kraftlöshet, illamående, kräkningar, dåsighet, förvirring, medvetslöshet eller död. Följ de här riktlinjerna för att förhindra att sådan färglös, luktfri gas förgiftar dig, någon i din familj eller andra personer:

- Kontakta läkare om du eller någon annan upplever influensaliknande symptom under grillningen eller i närheten av apparaten. Kolmonoxidförgiftning kan enkelt misstas för förkylning eller influensa och upptäcks ofta försent.
- Alkoholkonsumtion och droganvändning förvärrar effekterna av kolmonoxidförgiftning.

Kolmonoxid är särskilt giftigt för gravida kvinnor och foster, spädbarn, äldre personer, rökare och personer med blodsjukdom eller blodcirkulationsproblem, t.ex. anemi eller hjärtsjukdom.

## SÄKERHETSLISTNING

Uppfyller EN 60335-2-102:2016, EN 60335-1:2012 + A11:2014 + A13:2017 + A1: 2021 + A14: 2021 + A2: 2021, EN62233: 2008, EN 55014-1:2017, EN 61000-3-2:2014, EN 61000-3-3:2013, EN 55014-2:2015.



### MEDDELANDE OM UPPHOVSRÄTT

Upphovsrätt 2021. Alla rättigheter förbehållna. Ingen del av denna bruksanvisning får kopieras, överföras, transkriberas, lagras i ett system, i någon form eller på något sätt, utan uttryckligt skriftligt tillstånd från

#### **Dansons**

3411 North 5th Avenue, Suite 500, Phoenix, AZ, USA 85013  
sales@pitboss-grills.com | service@pitboss-grills.com  
**www.pitboss-grills.com**

#### **Kundtjänst**

Måndag–söndag kl. 04.00–20.00 PST (EN/FR/ES)

**Avgiftsfritt: 1-877-303-3134, Fax: 1-877-303-3135**

SE

SVENSKA

# INNEHÅLLSFÖRTECKNING

Säkerhetsinformation .....	241	Reservdelar	
Användningsinstruktioner		PB550G Reservdelar till grillen.....	256
Grillmiljö .....	245	PB700G Reservdelar till grillen .....	258
Grilltemperaturområden .....	246	PB850G Reservdelar till grillen .....	260
Förstå kontrollpanelen.....	246	PB1150G Reservdelar till grillen.....	262
Förstå sönerna.....	247	PB550G Reservdelar till pelletstanken .....	264
Förstå "P"-inställningen.....	248	PB700G / PB850G / PB1150G Reservdelar till pelletstanken ...	265
Påfyllningsprocedur för pelletstanken .....	248	Garanti	
Första användningen – avbränning av grillen .....	248	Villkor .....	266
Automatisk startprocedur.....	249	Undantag .....	266
Manuell startprocedur .....	249	Beställa reservdelar .....	267
Stänga av grillen.....	249	Kontakta kundtjänst .....	267
Skötsel och underhåll.....	250	Garantiservice .....	267
Tips och tekniker .....	252		
Felsökning.....	253		
Elkabeldiagram.....	255		

# ANVÄNDNINGSPÅSÄTTNING

Dagens livsstil och vår strävan att äta hälsosam och näringsrik mat gör ett minskat fettintag till en viktig faktor. Och ett av de bästa sätten att skära ner på fett är att använda en fettsnål tillagningsmetod, till exempel grillning. Eftersom en pelletsgrill använder naturliga träpellets tränger den ljuvliga träsmaken in i köttet och minskar suget efter söta marinader och såser. Genom hela bruksanvisningen lyfter vi fram vikten av att grilla mat långsamt på LÅG eller MEDELHÖG temperatur.

## GRILLMILJÖ

### 1. VAR GRILLEN SKA PLACERAS

Väderförhållanden spelar en stor roll för hur grillen fungerar och hur lång tid tillagningen tar eftersom den används utomhus.

Alla Pit Boss®-enheter måste ha ett minsta avstånd på 914 mm från brandfarliga konstruktioner och det avståndet måste alltid bibehållas under användning. Apparaten får inte placeras under överhängen eller markiser. Ställ grillen på en yta som är fri från brandfarliga material, bensin och andra brandfarliga ångor eller vätskor.

### 2. GRILLA I KALLT VÄDER

Trots att det blir kallare utomhus betyder det inte att grillsäsongen är över! Den krispiga luften och himmelska rökdoften håller humöret uppe vemodiga vinterdagar.

Här följer några förslag på hur du kan njuta av grillen under de kallare månaderna:

- Om det inte går att röka vid låga temperaturer höjer du temperaturen något för att uppnå samma resultat.
- Organisera – Förbered allt du behöver inomhus i köket innan du ger dig ut i kylan. Se till att grillen står på en plats som är vindstilla och skyddad från direkt kyla. Granska lokala bestämmelser om hur nära ditt hus och/eller andra byggnader som grillen får vara placerad. Lägg allt du behöver på en bricka, klä dig varmt och ge dig ut!
- Sätt en utomhustermometer vid grillen så att du enkelt kan se hur kallt det är. Skriv ner vad du lagar för rätter, i vilken temperatur och hur lång tid det tar. Det hjälper dig att framöver bestämma när och vad du ska grilla och hur lång tid det tar.
- Om det är väldigt kallt ökar du föruppvärmningstiden till minst 20 minuter.
- Undvik att lyfta på locket mer än nödvändigt. Kalla vindpustar kan kyla ner maten helt. Var flexibel och lägg till extra tid för varje gång du lyfter på locket.
- Ha ett uppvärmt underlägg eller lock redo för att hålla maten varm på vägen tillbaka in.
- Perfekt mat att grilla under vintern är det som kräver lite tillsyn, t.ex. en stek, hel kyckling, revbensspjäll och kalkon. Gör det lätt för dig och lägg i olika tillbehör som tillagas samtidigt, t.ex. potatis och grönsaker.

### 3. GRILLA I VARMT VÄDER

I varmare väder tar grillningen kortare tid.

Här följer ett par förslag på hur du kan njuta av grillen under de varmare månaderna:

- Sänk grilltemperaturerna. Det minskar risken för oönskade uppflamningar.
- Använd en kötttermometer för att fastställa innetemperaturen på maten. Det hjälper dig att undvika att grilla för länge så att det blir torrt.
- Även när det är varmt är det bäst att grilla med locket på.
- Du kan hålla maten varm genom att svepa in den i folie och lägga den i en isolerande kylare. Lägg ihopknycklat tidningspapper runt om så håller sig maten varm i 3–4 timmar.

## INTERVALL FÖR GRILLTEMPERATURER

Temperaturavläsningar på kontrollpanelen kanske inte matchar termometern exakt. Alla temperaturer som listas nedan är ungefärliga och påverkas av följande faktorer: omgivande utomhustemperatur, vindstyrka och vindriktning, kvaliteten på pelletbränslet som används, om locket öppnas och mängden mat som grillas.

- **HÖG TEMPERATUR (205–260 °C/401–500 °F)**

I det här intervallet är det lämpligast att steka och grilla på hög värme. Använd tillsammans med flamgrillen (skjutplattan) för indirekt eller direkt flamgrillning. Med **flamgrillen öppen** används en direkt låga för att skapa en blodig biff såväl som sotade grönsaker, vitlöksbröd och annat! När **flamgrillen är stängd** cirkulerar luften runt behållaren vilket resulterar i konvektionsvärme. Hög temperatur används även för att förvärma grillen, bränna av grillgaller och för att uppnå hög temperatur i kalla väderförhållanden.

- **MEDELHÖG TEMPERATUR (135–180 °C/275–356 °F)**

Det här intervallet passar bäst för bakning, stekning och att laga klart långsamt rökta rätter. Grillning på de här temperaturerna minskar risken för att fett ska flamma upp. Se till att flamgrillens skjutreglage är stängt och täcker de öppna spåren. Perfekt intervall för allt som viras in i bacon och där du behöver mångsidighet med kontroll.

- **LÅG TEMPERATUR (82–125 °C/180–257 °F)**

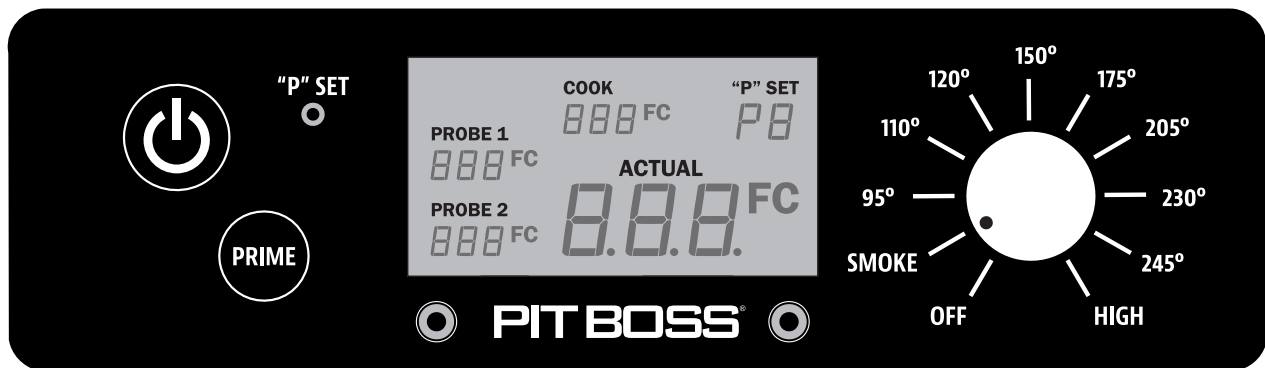
Det här intervallet används för långsam stekning, ökad röksmak och för att hålla mat varm. Tillför mer röksmak och håll köttet saftigt genom att tillaga under längre tid på en lägre temperatur (även känt som **"low and slow"**). Rekommenderas för en saftig skinka till jul eller en stor högtidsfest.

Rökning är en variant på verklig grillning och är den främsta fördelen med en träpelletsgrill. **Basturökning**, ett annat namn på **"low and slow"** sker generellt i 82–125 °C. Basturökning blir bäst när det krävs längre tillagning, t.ex. med stora bitar av kött, fisk och fågel.






**TIPS! Du kan intensifiera smakerna genom att ange temperaturintervallet SMOKE (lågt) direkt efter att maten har lagts på grillen. Det gör det möjligt för röken att tränga in i köttet.**

Nyckeln är att experimentera med olika tidsperioder för rökning innan tillagningen av rätten är klar. Vissa utomhuskockar föredrar att röka vid slutet av tillagningen vilket håller maten varm fram till servering. Övning ger färdighet!

## FÖRSTÅ KONTROLLPANELEN



KONTROLL	BESKRIVNING
	Tryck på <b>strömknappen</b> för att slå på enheten. Knappen lyser blå om enheten är ansluten till en strömkälla. Tryck på knappen igen för att slå av enheten.
	Med <b>temperaturreglaget</b> kan du ställa in önskad röktemperatur. När du har anslutit enheten till en strömkälla och tryckt på strömknappen ställer du in reglaget på en av de tio förinställda temperaturintervallen mellan 82–260 °C. När reglaget vrids till en förinställd temperatur tänds LCD-skärmen upp och visar att tillagningen kan börja. När reglaget är avstängt är LCD-skärmen inaktiv.

<p><b>"P" SET</b></p> 	<p>Knappen <b>"P" Set</b> används för att välja en av de åtta finjusteringarna när temperaturreglaget är inställt på Smoke. Tryck på knappen för att ändra "P"-inställningen om du vill anpassa den efter din grillmiljö och grillmetod. Med en <u>kort tryckning</u> på knappen, ökas inställningen från P0 till P7, och sedan upprepas det. Justeringar är endast möjliga vid inställningen Smoke. Fabriksinställningen är "P4". Om "P"-inställningen justeras låses inställningen (sparas) tills ytterligare justeringar görs.</p> <p>Knappen <b>"P" Set</b> används även som <b>temperaturreglage</b> för att ändra temperaturavläsningen på LCD-skärmen. Tryck på <u>och håll in</u> knappen i två sekunder för att växla mellan Celsius (°C) och Fahrenheit (°F). Standardinställningen är Celsius.</p>
	<p><b>LCD-skärmen</b> används som informationscenter för din enhet. LCD-skärmen visar din önskade grilltemperatur, aktuell grilltemperatur och kötttermometertemperatur (om ansluten). Om endast en kötttermometer är ansluten visas endast en avläsning.</p>
	<p>Tryck på och håll in knappen <b>Prime</b> för att aktivera en extra påfyllning av pellets till förbränningskammaren. Det kan användas för att tillföra mer bränsle till elden innan behållarens lock öppnas, eftersom det gör att värmenivån snabbt återställs. Det kan även användas under rökning för att öka intensiteten av ren röksmak. Något som uppskattas av den kräsne kocken.</p>
<p><b>SMOKE</b></p>	<p>Inställningen <b>Smoke</b> på temperaturreglaget är enhetens startläge. Grillen fungerar på den lägsta temperaturen utan att lågan slocknar.</p>
	<p>Anslutningsportar på kontrollpanelens framsida är avsedda för <b>kötttermometrar</b>. När en kötttermometer är ansluten visas temperaturen på LCD-skärmen. Koppla ur kötttermometern från anslutningsporten när den inte används. <i>Endast kompatibel med Pit Boss®-märkta kötttermometrar. Ytterligare kötttermometer säljs separat.</i></p> 

## FÖRSTÅ TERMOMETRARNA

### • TERMOMETER

Termometern sitter på vänster vägg inuti huvudbehållaren. Det är en liten, vertikal del i rostfritt stål. Termometern mäter temperaturen inuti enheten. När temperaturen justeras på kontrollpanelen avläser termometern den aktuella temperaturen inuti enheten och justerar till önskad temperatur.

**VIKTIGT! Temperaturen i enheten påverkas i hög grad av den omgivande utomhustemperaturen, kvaliteten på pellets, typen av pellets och mängden mat som tillagas.**

### • KÖTTERMOMETER

Termometern mäter temperaturen inuti köttet på grillen på samma sätt som i din vanliga ugn. Anslut kötttermometern till avsedd anslutningsport på kontrollpanelen och stick in termometern i köttets tjockaste del så visas temperaturen på kontrollpanelen. **Säkerställ att termometern är korrekt ansluten genom att känna och höra att den snäpper på plats.**

**OBS! När du sticker i termometern i köttet ska du vara noga med att termometern och tillhörande kabel undviker direkt kontakt med lågan eller hög hetta. Det kan skada termometern. Dra ut kabeln genom de bakre utsugshålen eller genom toppen på huvudgrillen (nära lockets gångjärn). Koppla ur kötttermometern från anslutningsporten när den inte används och lägg den åt sidan för att skydda och hålla den ren.**

## FÖRSTÅ "P"-INSTÄLLNINGEN

När den nedsänkta knappen "P" SET trycks in blinkar inställningen "P" på LCD-skärmen och ändras till nästa värde (uppåt). När P7 har uppnåtts startar den om på P0. Det finns åtta "P"-inställningar från P0 till P7. Den nedsänkta knappen "P" SET kan tryckas in med ett spetsigt objekt.

**VIKTIGT! Tryck inte in knappen "P" SET för hårt eftersom det kan orsaka skada. Det krävs bara en lätt tryckning.**

- **ANVÄNDA "P"-INSTÄLLNINGEN I LÄGET SMOKE**

När temperaturreglaget är inställt på SMOKE, t.ex. vid startcykeln, körs inmatningsenheten i ett mer manuellt läge till skillnad från när någon av de förinställda temperaturerna används. Först körs inmatningsenheten kontinuerligt och matar pellets i fyra minuter. Efter fyra minuter börjar inmatningsenheten köra en matningscykel baserat på "P"-inställningen som har valts på den digitala kontrollpanelen. Standardinställningen är P4.

INMATNINGSCYKEL (sekunder)		
"P" SET	PÅ	AV
P0	18	55
P1	18	70
P2	18	85
P3	18	100
*P4	<b>18</b>	<b>115</b>
P5	18	130
P6	18	140
P7	18	150

\* **Fabriksinställningar**

## PÅFYLLNINGSPROCEDUR FÖR PELLETSTANKEN

Följande instruktioner ska följas den första gången som grillen tänds och varje gång det tar slut på pellets i pelletstanken. Inmatningsenheten måste fyllas på för att pellets ska transporteras längs hela enhetens längd och fylla på förbränningskammaren. **Om den inte fylls på slocknar tändaren innan pelletsen har fattat eld så att lågan uteblir.** Följ de här stegen för att fylla på pelletstanken:

1. Öppna locket på pelletstanken. Se till att det inte finns några främmande föremål i pelletstanken eller något som blockerar inmatningssystemet på botten.
2. Ta bort alla grillkomponenter inuti grillen. Leta upp förbränningskammaren på botten av huvudbehållaren.
3. Anslut strömkabeln i en strömkälla. Tryck på **strömknappen** för att slå på enheten, och vrid **temperaturreglaget** till läget SMOKE. Kontrollera följande:
  - Att du kan höra inmatningsenheten snurra. Håll handen ovanför förbränningskammaren för att känna om det finns ett luftflöde. Stoppa inte in handen eller fingrarna i förbränningskammaren. Det kan orsaka personskada.
  - Efter cirka en minut ska det kännas på doften att tändaren brinner och att luften blir varmare i förbränningskammaren. Toppen på tändaren lyser inte röd men är extremt het och bränns. Vidror inte tändaren.
4. När du har säkerställt att alla elektriska komponenter fungerar som de ska trycker du på **strömknappen** för att slå av enheten.
5. Fyll på pelletstanken med träpellets.
6. Tryck på **strömknappen** för att slå på enheten. Sätt **temperaturreglaget** i läget SMOKE. Tryck på och håll in knappen **Prime** tills du ser pellets från inmatningsröret på insidan grillen. När pellets börjar fyllas på i förbränningskammaren släpper du knappen **Prime**.
7. Tryck på **strömknappen** för att slå av enheten.
8. Installera grillkomponenterna på nytt i huvudbehållaren. Grillen är klar att användas. (Se *Monteringsinstruktioner* för att säkerställa korrekt installation av grillkomponenter.)

## FÖRSTA ANVÄNDNING – AVBRÄNNING AV GRILLEN

När pelletstanken är fylld är det viktigt att genomföra en avbränning av grillen före grillen ska användas första gången. Starta grillen och kör på en temperatur över 176 °C/350 °F (med locket på) i 30–40 minuter för att bränna av grillen och bli av med eventuella främmande material.



## AUTOMATISK STARTPROCEDUR

1. Anslut strömkabeln i en jordad strömkälla. Öppna locket på huvudbehållaren. Kontrollera förbränningskammaren så att inget förhindrar korrekt tändning. Öppna locket på pelletstanken. Se till att det inte finns några främmande föremål i pelletstanken eller inmatningssystemet. Fyll på pelletstanken med torra, naturliga träpellets.
2. Se till att **temperaturreglaget** är i läget SMOKE. Tryck på **strömknappen** för att slå på enheten. Det aktiverar startcykeln. Inmatningssystemet börjar snurra, tändaren börjar glöda och fläkten tillför luft till förbränningskammaren. Grillen börjar producera rök medan startcykeln pågår. Behållarens lock måste hållas öppet under startcykeln. Se till att startcykeln har kommit igång genom att lyssna efter ljudet av en brinnande låga och att det skapas värme.
3. När den tjocka, vita röken har skingrat sig är startcykeln slutförd och nu kan du välja önskad temperatur och börja använda grillen!

## TÄNDNINGSFEL

**Om det inte går att tända med den elektriska tändaren eller om lågan dör under grillningen, kontrollerar du följande steg eller startar grillen manuellt.**

1. Se till att **temperaturreglaget** är avstängt och i läget SMOKE. Öppna locket på behållaren. Ta bort grillkomponenterna från insidan. Ta bort alla oanvända pellets och askan från förbränningskammaren. Undvik att vidröra tändaren eftersom den kan vara extremt het.
2. När alla grillkomponenter har tagits bort och rengjorts trycker du på **strömknappen** för att slå på enheten. Kontrollera följande:
  - Bekräfta att tändaren är igång genom att hålla handen ovanför förbränningskammaren och känna värmen.
  - Bekräfta visuellt att tändaren skjuter ut cirka 13 mm i förbränningskammaren.
  - Bekräfta visuellt att inmatningsenheten matar ner pellets i förbränningskammaren.
  - Bekräfta att förbränningsfläkten fungerar genom att lyssna efter ljudet av en brinnande låga.
3. Om något i ovanstående punkter inte fungerar följer du instruktionerna i **Felsökning**.

## MANUELL STARTPROCEDUR

1. Se till att **temperaturreglaget** är i läget **SMOKE**. Anslut strömkabeln i en jordad strömkälla.
2. Kontrollera förbränningskammaren så att inget förhindrar korrekt tändning. Öppna locket på pelletstanken. Se till att det inte finns några främmande föremål i pelletstanken eller inmatningssystemet. Fyll på pelletstanken med torra, naturliga träpellets.
3. Öppna locket på behållaren. Ta bort grillkomponenterna för att exponera förbränningskammaren. Lägg en handfull pellets i förbränningskammaren. Spruta ett geléartat tändmedel eller annat lämpligt tändmedel över pelletsen. Det går även att använda en liten mängd tändmedel av fast bränsle, till exempel en blandning av sågspån och vax eller träflis. Lägg på ytterligare lite mer pellets i förbränningskammaren.

**OBS! Använd inte sprit, olja, bensin, tändvätska eller fotogen för att tända eller få fyr på glöden i grillen.**

4. Tänd innehållet i förbränningskammaren med en lång tändsticka eller tändare. Låt tändmedlet brinna i 3–5 minuter. Försök inte lägga mer tändmedel i förbränningskammaren. Det kan orsaka personskada.
5. Sätt tillbaka grillkomponenterna snabbt och försiktigt inuti huvudbehållaren. Fortsätt startcykeln med steg två av **Automatisk startprocedur**.

## STÄNGA AV GRILLEN

1. När du har grillat klart med locket på huvudbehållaren stängt, trycker du på **strömknappen** för att stänga av enheten och ställer in **temperaturreglaget** på OFF.

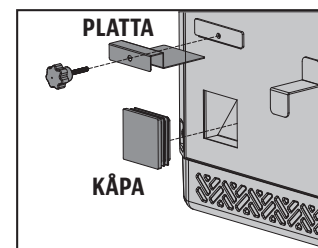
# SKÖTSEL OCH UNDERHÅLL

Alla Pit Boss®-enheter erbjuder många års smakrika upplevelser och minimala rengöringsbehov. Följ de här tipsen för rengöring och underhåll av grillen:

## 1. PELLETSTANKENHETEN

- Pelletstanken inkluderar en rengöringsfunktion som gör det enkelt att rengöra och byta pelletssort. Du tömmer pelletstanken genom att leta upp plattan och höljet för dropprännan på baksidan. Ställ ett rent och tomt kärl under dropprännan och ta sedan bort höljet. Skruva av plattan och dra den utåt så töms tanken på pellets.

**OBS! Använd en borste med långt handtag eller en shop-vac för att ta bort kvarvarande pellets, sågspån och rester för en fullständig rengöring av pelletstanken.**



- Det rekommenderas att du matar ut alla pellets ur inmatningssystemet om grillen ska ställas undan under en längre period. Det gör du genom att helt enkelt köra grillen med en tom pelletstank tills alla pellets har matats ut ur inmatningsröret.
- Rengör botten av pelletstanken från allt damm och skräp från fläktintagsventilen. När åtkomstpanelen för pelletstanken har tagits bort (se **Elkabeldiagram**), torkar du noggrant av fettansamlingar direkt från fläktbladen. Det säkerställer att luftflödet är tillräckligt för matningssystemet.

## 2. TERMOMETRAR

- Trassel och veck på termometerkablar kan orsaka skada. Rulla ihop termometern och kabeln löst när den inte används.
- Trots att båda termometertyperna är i rostfritt stål ska de inte diskas i maskin eller ligga i blöt. Vattenskador på inre ledningar orsakar kortslutning och ger felaktiga avläsningar. Om en termometer skadas ska den bytas ut.

## 3. YTOR PÅ INSIDAN

- Det rekommenderas att du regelbundet rengör förbränningskammaren efter några gångers användning. Det säkerställer korrekt tändning och undviker att skräp eller aska ansamlas i förbränningskammaren.
- Använd en rengöringsborste med långt handtag, ta bort rester av mat eller avlagringar från grillgallren. Det är bäst att utföra rengöringen medan de fortfarande är varma från tidigare användning. Fettbrand orsakas av att för mycket stoft faller ner på grillkomponenterna i grillen. Rengör insidan av grillen regelbundet. Om det skulle uppstå en fettbrand låter du locket vara på för att kväva branden. Om elden inte slocknar snabbt tar du försiktigt ut maten, slår av grillen och stänger locket tills den helt har släckts. Pudra över lite bikarbonat om du har.
- Kontrollera dropphinken ofta och rengör om det behövs. Lägg på minnet vilken typ av grillning du utför.

**VIKTIGT! På grund av hög hetta ska flamgrillen och termometrar inte täckas med aluminiumfolie.**

## 4. YTOR PÅ UTSIDAN

- Torka av grillen efter varje användning. Använd varm tvällösning för att få bort fett. Använd inte ugnsgörare, slipmedel eller slipande rengöringsvampar på utsidan av grillen. **Inga målade ytor täcks av garantin**, utan ingår i allmänna underhålls- och skötselrutiner. Vid sprickor, slitage eller flagor kan ytorna bättras på med värmebeständig färg avsedd för grill.
- Använd ett grillöverdrag som skydd! Ett överdrag är det bästa skyddet mot väderpåverkan och föroreningar. När enheten ställs undan en längre tid ska den stå i garage eller förråd med överdrag.

## TIDSHEMA FÖR RENGÖRINGSFREKVEN (NORMAL ANVÄNDNING)

ARTIKEL	RENGÖRINGSFREKVEN	RENGÖRINGSMETOD
Botten på huvudgrill	Efter 5–6 grilltillfällen	Skyffla ut, använd grovdammsugare för skräp
Förbränningskammare	Efter 2–3 grilltillfällen	Skyffla ut, använd grovdammsugare för skräp
Grillgaller	Efter varje grilltillfälle	Avbränning, borste med mässingstråd
Flamgrill	Efter 5–6 grilltillfällen	Skrapa huvudplattan med skjutreglage, <b>rengör inte genom tvätt</b>
Framhylla	Efter varje grilltillfälle	Skrubbsvamp och tvällösning
Dropphink	Efter varje grilltillfälle	Skrubbsvamp och tvällösning
Inmatningssystem	När pelletssäcken är tom	Låt inmatningsenheten mata ut sågspån, lämna pelletstanken tom
Elektriska komponenter på pelletstanken	En gång om året	Damma av insidan, torka fläktblad med tvällösning
Luftintagsventil	Efter 5–6 grilltillfällen	Damma, skrubbsvamp och tvällösning
Temperatursond	Efter 2–3 grilltillfällen	Skrubbsvamp och tvällösning

# TIPS OCH TEKNIKER

Här följer tips och tekniker som lämnats av Pit Boss®-ägare och kunder som kan vara till hjälp:

## 1. LIVSMEDELSSÄKERHET

- Håll allt rent i köket och grillområdet. Använd inte samma underlägg och redskap för det grillade köttet som när du bär ut och hanterat det råa köttet. Det förebygger korskontaminering av bakterier. Använd separat redskap för varje marinad och sås.
- Håll varm mat varm (över 60 °C/140 °F), och håll kall mat kall (under 3 °C/37 °F).
- En marinad ska aldrig sparas för senare användning. Om du vill servera den tillsammans med köttet ska du vara noga med att först koka upp den.
- Lagad mat ska inte lämnas ute i värmen längre än en timme. Lämna inte varm mat utanför kylskåp längre än två timmar.
- Tina och marinera kött i kylskåp. Tina inte upp kött i rumstemperatur eller på en bänkskiva. Bakterier kan växa och föröka snabbt i varma och fuktiga miljöer. Tvätta händerna noga i varmt vatten och tvällösning innan du börjar grilla och efter att du har hanterat kött, fisk och fågel.

## 2. FÖRBEREDELSE FÖR TILLAGNING

- Var förberedd eller **Mise en Place**. Det innebär att förbereda receptet, bränsle, tillbehör, redskap och alla ingredienser som du behöver, bredvid grillen innan du börjar. Läs även igenom hela receptet, från början till slut, innan du tänder grillen.
- Det är mycket praktiskt att använda grillmatta. En grillmatta skyddar däck, uteplatsen eller stenläggningen från fläckar och spill.

## 3. TIPS OCH TEKNIKER FÖR GRILLNINGEN

- Tillför mer röksmak i köttet genom längre tillagning på lägre temperaturer (även känt som **"low and slow"**). Fibrerna stängs i köttet vid en innetemperatur på 49 °C/120 °F. Undvik att köttet torkar genom att spreja och pensla det.
- Stek köttet med locket nere. Använd alltid en köttermometer för att fastställa innetemperaturen på maten du tillagar. Rökning med träpellets ger kött och fågel en rosa färg. Det rosa bandet (efter tillagning) brukar kallas **rökkring** och prisas högt av utomhuskocken.
- Sockerbaserade såser är bäst lämpade att tillsättas i slutet av tillagningen för att förebygga att det blir bränt eller flamar upp.
- Lämna ett mellanrum mellan maten och kanterna på behållaren för korrekt värmeflöde. Om det blir trångt på grillen tar tillagningen längre tid.
- Använd en uppsättning långa tänger för att vända köttet och en spatel för burgare och fisk. Om du använder ett spetsigt redskap, t.ex. en gaffel, går det hål i köttet så att saften rinner ut.
- Tillagning i en djup gryta tar längre tid än i en lågkantad form.
- Det är en bra idé att lägga färdig mat på ett uppvärmt fat så att den hålls varm. Rött kött, t.ex. en filé eller stek, ska med fördel vila flera minuter före servering. Det gör att saften som trängs upp till ytan av hettan kan rinna tillbaka in i köttet och ge mer smak.

# FELSÖKNING

Lämplig rengöring, underhåll och användning av kvalitativt bränsle förebygger användningsproblem. Om Pit Boss®-grillen fungerar dåligt kan följande felsökning vara till hjälp.

För vanliga frågor och svar går du till [www.pitboss-grills.com](http://www.pitboss-grills.com). Du kan även kontakta en auktoriserad Pit Boss®-återförsäljare eller kundtjänst om du behöver hjälp.

**WARNING! Dra alltid ur sladden innan grillen öppnas för kontroll, rengöring, underhåll eller service. Var noga med att grillen är helt avsvältnad för att undvika skada.**

PROBLEM	ORSAK	LÖSNING
Inga strömlampor på kontrollpanelen	Temperaturreglaget är fortfarande av.	Tryck på strömknappen och se till att knappen lyser blå, vilket visar att det finns en strömanslutning. Vrid temperaturreglaget till en temperaturinställning.
	Ej ansluten till strömkälla	Se till att enheten är ansluten till en fungerande strömkälla. Återställ brytaren. Säkerställ att jordfelsbrytaren är på minst 10 ampere (se <b>Elkabeldiagram</b> för åtkomst till elektriska komponenter). Se till att alla kabelanslutningar sitter i ordentligt och är torra.
	Säkring har gått på kontrollpanelen	Ta bort åtkomstpanelen för pelletstanken (se <b>Elkabeldiagram</b> för illustration), tryck in plastflikarna som håller kontrollpanelen på plats och dra försiktigt i styrenheten inuti pelletstanken för att frigöra den. Kontrollera säkringen och om det finns en trasig ledning eller om ledningen är svart. I så fall måste säkringen bytas manuellt.
	Jordfelsbrytaren har löst ut.	Ta bort åtkomstpanelen för pelletstanken (se <b>Elkabeldiagram</b> för illustration), och se till att alla kabelanslutningar sitter i ordentligt och är torra. Se till att jordfelsbrytaren är på minst 10 ampere.
	Fel på kontrollpanelen	Kontrollpanelen måste bytas ut. Kontakta kundtjänst för reservdelar.
Lågan i förbränningskammaren tänds inte	Inmatningsenheten är inte påfylld	Innan enheten används första gången, eller om pelletstanken är helt tömd, måste inmatningsenheten fyllas på för att pellets ska matas fram i inmatningsröret. Om den inte fylls på slocknar tändaren innan pelletsen har nått fram till förbränningskammaren. Följ <b>Påfyllningsprocedur för pelletstanken</b> .
	Stopp i inmatningsmotorn	Ta bort grillkomponenterna från huvudbehållaren. Tryck på strömknappen för att slå på enheten, ställ in temperaturreglaget på SMOKE och kontrollera inmatningssystemet. Bekräfta visuellt att inmatningsenheten matar ner pellets i förbränningskammaren. Om det inte fungerar som det ska ringer du kundtjänst för hjälp eller reservdelar.
	Tändarfel	Ta bort grillkomponenterna från huvudbehållaren. Tryck på strömknappen för att slå på enheten, ställ in temperaturreglaget på SMOKE och kontrollera tändaren. Bekräfta att tändaren är igång genom att hålla handen ovanför förbränningskammaren och känna värmen. Bekräfta visuellt att tändaren sticker ut cirka 13 mm i förbränningskammaren. Om det inte fungerar korrekt följer du <b>Manuell startprocedur</b> för att fortsätta använda grillen. Du kan även ringa kundtjänst om du behöver hjälp eller en reservdel.
Blinkande punkter på LCD-skärmen	Tändaren är på	Detta är inte ett fel som påverkar grillen. Detta visar att enheten har ström och är i startläge (tändaren är på). Tändaren slås av efter fem minuter. När de blinkande punkterna försvinner justeras grillen till den valda temperaturen.
Blinkande temperatur på LCD-skärmen	Grilltemperaturen är lägre än 65 °C	Detta är inget fel som påverkar enheten, men det används för att visa att det finns risk för att lågan kan slockna. Kontrollera pelletstanken har tillräckligt bränsle eller om matningssystemet är blockerat. Ta bort pelletsen och följ instruktionerna i <b>Skötsel och underhåll</b> . Kontrollera grilltemperatursonden och följ instruktionerna i <b>Skötsel och underhåll</b> om den är smutsig. Kontrollera förbränningskammaren för ansamlingar av aska eller blockeringar och följ instruktionerna för ansamling av aska i <b>Skötsel och underhåll</b> . Kontrollera fläkten. Se till att den fungerar ordentligt och att luftintaget inte är blockerat. Följ instruktionerna i <b>Skötsel och underhåll</b> om den är smutsig. Kontrollera inmatningsmotorn för att bekräfta funktion (rotation), och se till att det inte finns någon blockering i inmatningsröret.

Felkoden "ErH"	Enheten är överhettad, troligen på grund av fettbrand eller överskottsbränsle.	Tryck på strömknappen för att slå av enheten och låta grillen svalna. Följ instruktionerna i <b>Skötsel och underhåll</b> . Efter underhåll tar du bort pelletsen och bekräftar att alla komponenter sitter där de ska. När enheten har svalnat trycker du på strömknappen för att slå på den igen och väljer önskad temperatur. Om felkoden fortfarande visas kontaktar du kundtjänst.
Felkoden "Er1"	Temperatursonden får ingen kontakt.	Ta bort luckan till pelletstanken (se <b>Elkabeldiagram</b> för illustration), och kontrollera om det finns några skador på temperatursondens kablar. Se till att temperatursondens Molex-kontakter sitter i ordentligt och är korrekt anslutna till kontrollpanelen.
Felkoden "ErP"	Enheten stängdes inte av korrekt senaste gången den var ströman-sluten. Strömavbrott under drift.	Säkerhetsfunktionen förhindrar automatisk omstart. Tryck på strömknappen för att slå av enheten, vänta två minuter och tryck sedan på strömknappen för att slå på enheten igen. Vrid temperaturreglaget till SMOKE eller önskad temperatur. Om felkoden fortfarande visas kontaktar du kundtjänst.
Felkoden "noP"	Dålig anslutning vid anslutningsport Skadad köttsond Fel på kontrollpanelen	Koppla bort köttsonden från anslutningsporten på kontrollpanelen och anslut igen. Se till att köttsonden är ordentligt ansluten. Kontrollera om det finns tecken på skada i adapterränd. Om det fortfarande inte fungerar ringer du kundtjänst för reservdel. Kontrollera om det finns tecken på skador på köttsonden. Om den är skadad ringer du kundtjänst för reservdel. Kontrollpanelen måste bytas ut. Kontakta kundtjänst för reservdelar.
Grilltemperaturen på SMOKE är för hög	"P"-inställningen är för låg	Tryck på knappen "P" SET och öka "P"-inställningen.
Grillen uppnår inte eller håller inte rätt temperatur	Otillräckligt luftflöde till förbränningskammaren Brist på bränsle, dålig bränslekvalitet, blockering i matarsystemet Temperatursond	Kontrollera förbränningskammaren och se om det finns ansamlingar av aska eller blockeringar. Följ instruktionerna för ansamling av aska i <b>Skötsel och underhåll</b> . Kontrollera fläkten. Se till att den fungerar ordentligt och att luftintaget inte är blockerat. Följ instruktionerna i <b>skötsel och underhåll</b> om den är smutsig. Kontrollera inmatningsmotorn för att bekräfta att den fungerar, och se till att det inte finns någon blockering i inmatningsröret. När alla stegen ovan har slutförts startar du grillen, ställer in temperaturen på SMOKE och väntar i 10 minuter. Kontrollera att lågan är ljus och levande. Kontrollera att bränslenivån i pelletstanken är tillräcklig eller fyll på om den är låg. Om kvaliteten på träpelletsen är dålig, eller pelletsen är för långa, kan det orsaka blockering i matningssystemet. Ta bort pelletsen och följ instruktionerna i <b>Skötsel och underhåll</b> . Kontrollera temperatursondens status. Följ instruktionerna i <b>skötsel och underhåll</b> om den är smutsig. Kontakta kundtjänst för reservdel om den är skadad.
Grillen producerar för mycket eller missfärgad rök	Fettansamlingar Kvalitet på träpellets Förbränningskammaren är blockerad Otillräckligt luftintag för fläkten	Följ instruktionerna i <b>Skötsel och underhåll</b> . Ta bort fuktiga träpellets från pelletstanken. Följ instruktionerna i <b>Skötsel och underhåll</b> för att rengöra den. Byt ut med torr träpellets. <i>Rensa förbränningskammaren på fuktig träpellets. Följ Påfyllningsprocedur för pelletstanken.</i> <i>Kontrollera fläkten. Se till att den fungerar ordentligt och att luftintaget inte är blockerat. Följ instruktionerna i skötsel och underhåll om den är smutsig.</i>
Frekvent uppflammande	Tillagningstemperatur Fettansamlingar på grillkomponenter	Prova att grilla på en lägre temperatur. Fett har en flampunkt. Håll temperaturen under 176 °C när du grillar mat med mycket fett. Följ instruktionerna i <b>Skötsel och underhåll</b> .

# ELKABELDIAGRAM

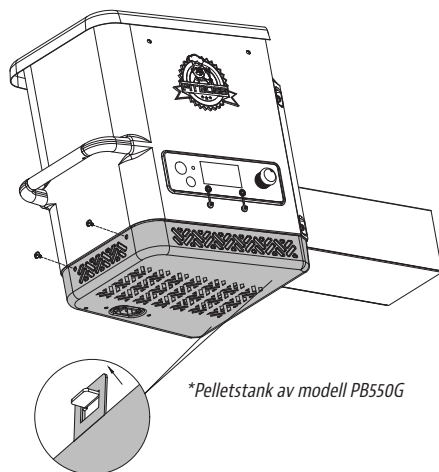
Det digitala kontrollpanelssystemet är en komplicerad och värdefull teknikdel. Kontrollera kabeldiagrammet nedan för att säkerställa att strömkällan är tillräcklig för drift av enheten, för att skydda mot överspänning och kortslutning.

## PB – ELEKTRISKA KRAV 220-240 V, 50 Hz, 250 W, JORDAD KONTAKT

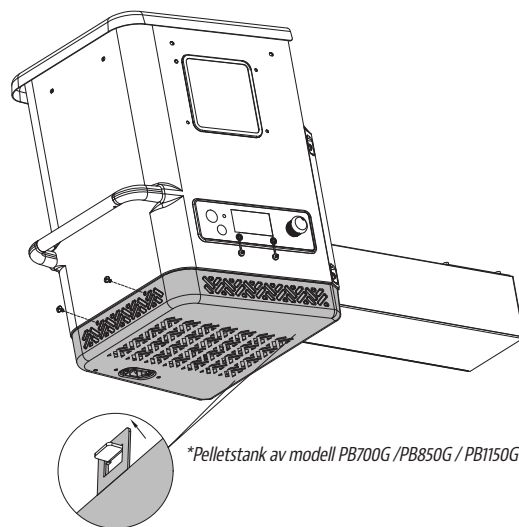
OBS! Elektriska komponenter, som har passerat produktsäkerhetstester och certifieringstjänster, uppfyller en testtolerans på ± 5-10 procent.

LETA UPP OCH TA BORT  
DE TVÅ SKRUVARNA I  
LUCKAN PÅ SIDAN AV  
PELLETSTANKEN.

FRIGÖR PELLETSTANKENS  
LUCKA NEDTILL OCH DRA  
UT DEN UR FLIKEN.



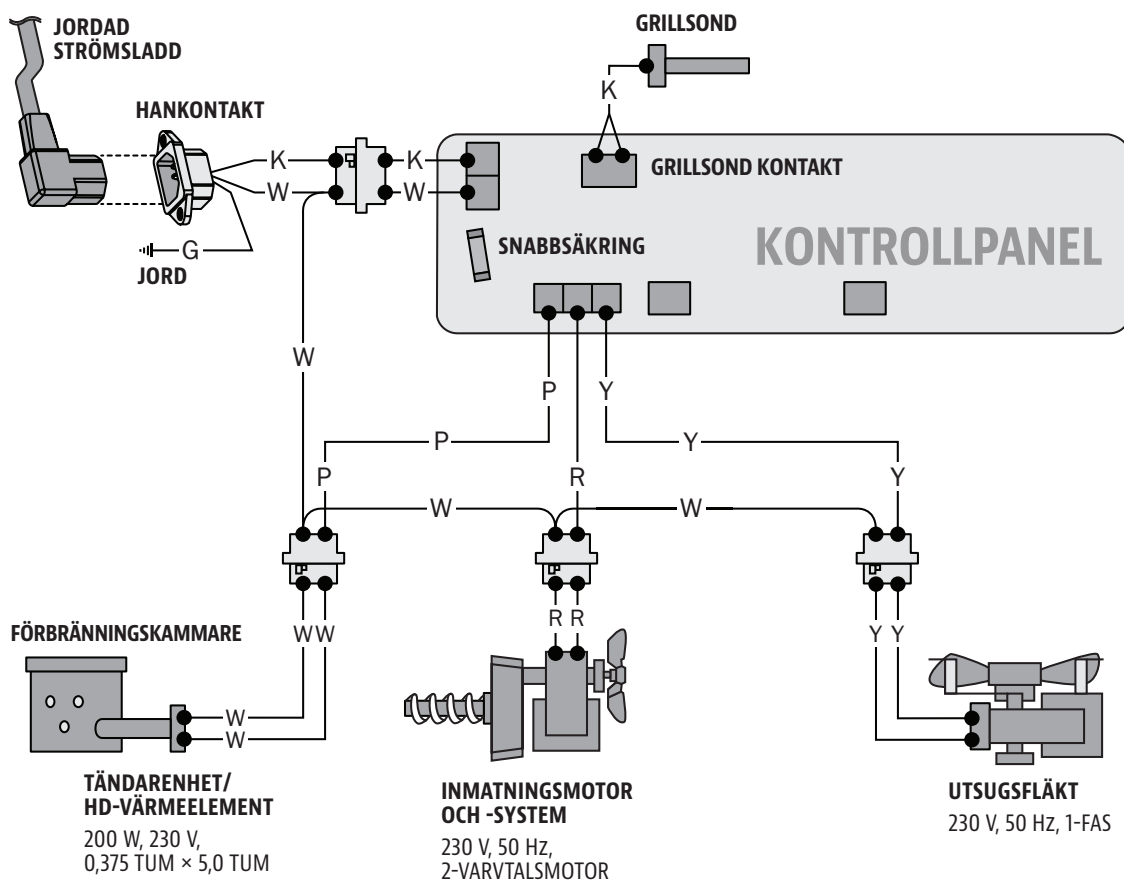
\*Pelletstank av modell PB550G



\*Pelletstank av modell PB700G / PB850G / PB1150G

## BRÄNSLETILL- FÖRSELTAKT:

2 KG/H  
(4,4 LB/H)



## INDEX

W : WHITE  
Y : YELLOW  
P : PURPLE  
R : RED  
K : BLACK  
G : GREEN

SE

SVENSKA

## PB550G RESERVDELAR TILL GRILLEN

Delnr	Beskrivning
1-A	Locklås (× 1)
2-A	Lockhandtag (× 1)
3-A	Lockhandtagets infattning (× 2)
4-A	Huvudbehållare (× 1)
5-A	Pelletstank (× 1)
6-A	Vevstake för flamgrill (× 1)
7-A	Handtag till vevstake för flamgrill (× 1)
8-A	Skjutreglage för flamgrill (× 1)
9-A	Huvudplatta för flamgrill (× 1)
10-A	Vänster framben (× 1)
11-A	Vänster bakben (× 1)
12-A	Höger framben (× 1)
13-A	Höger bakben (× 1)
14-A	Trimdel till vänster framben (× 1)
15-A	Trimdel till vänster bakben (× 1)
16-A	Hjul (× 2)
17-A	Stödplatta höger bak (× 1)
18-A	Stödplatta vänster bak (× 1)
19-A	Kort stödplatta (× 2)

Delnr	Beskrivning
20-A	Lång stödplatta fram/bak (× 2)
21-A	Framhylla (× 1)
22-A	Höger fäste till framhylla (× 1)
23-A	Vänster fäste till framhylla (× 1)
24-A	Dropphink (× 1)
25-A	Höger sidobord (× 1)
26-A	Grillgaller (× 2)
27-A	Uppvärmningsgaller (× 1)
28-A	Köttsond (× 1)
29-A	Klämma för nätkabel (× 1)
30-A	Nätkabel – F-kontakt (× 1)
31-A	Nätkabel – G-kontakt (× 1)
A	Skruv (× 18)
B	Bricka (× 18)
C	Låsbricka (× 18)
D	Skruv (× 30)
E	Sprint till hjulaxel (× 2)
F	Saxsprint till hjul (× 2)
G	Bricka till hjul (× 2)

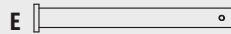
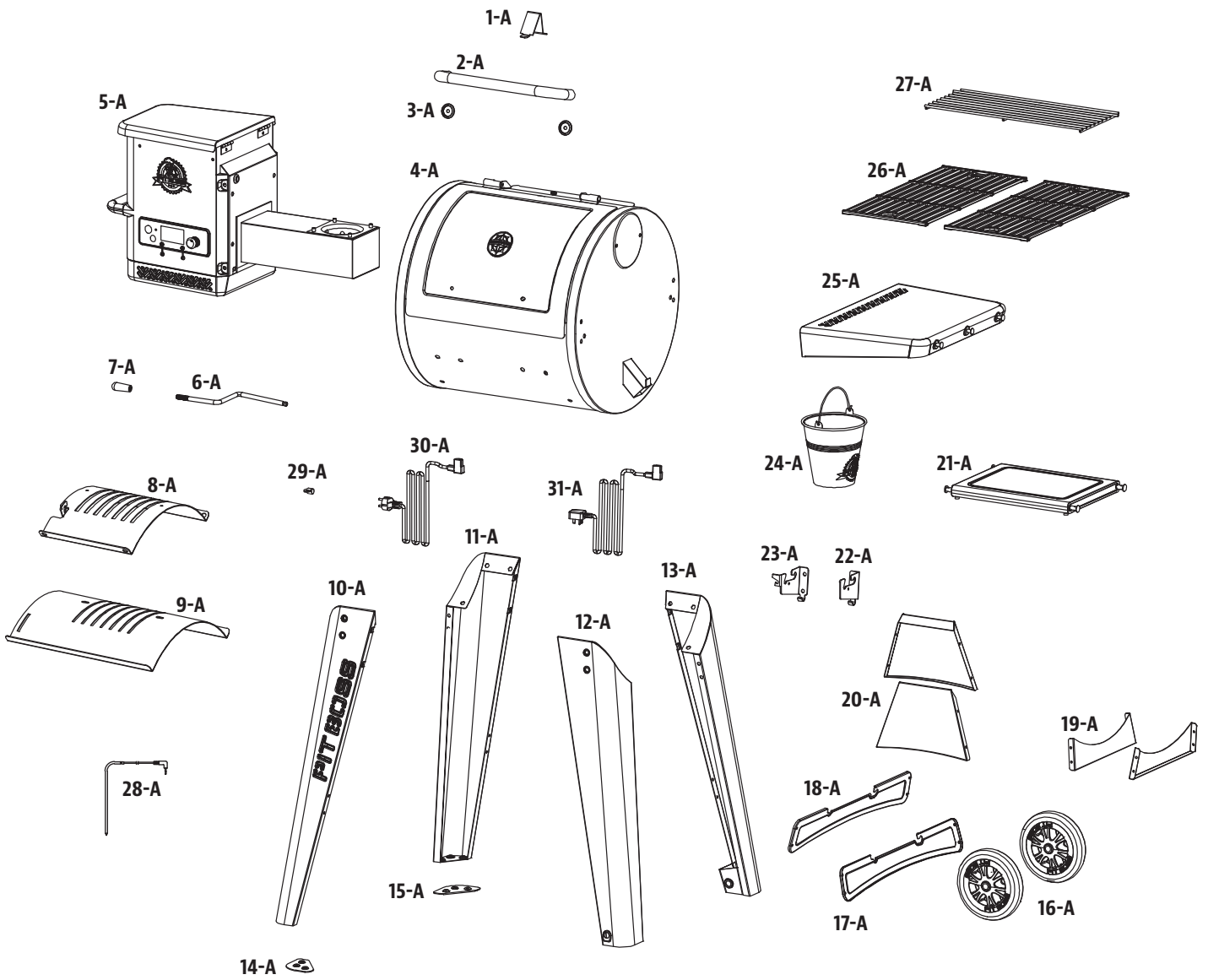
*OBS! På grund av fortlöpande produktutveckling kan delar komma att bytas ut utan föregående meddelande.*

Illustrerande bild på nästa sida.

MODELL	MONTERAD ENHET (B x H x D)	ENHETSVIKT	GRILLOMRÅDE	TEMPERATURINTERVALL	DIGITALA FUNKTIONER
PB PB550G	1227mm x 1195mm x 868mm / 48,3" x 47" x 34,17"	55,7 kg / 122,8 lb	Huvudområde - 2580,6 cm <sup>2</sup> / 400 sq. in. Övre hylla - 920 cm <sup>2</sup> / 142,6 sq. in. <b>TOTALT - 3500,6 cm<sup>2</sup> / 542,6 sq. in.</b>	82-260°C / 180-500°F	Tio förinställda temperaturlägen, start- och nedkylningsprogram, elektrisk tändare



# PB550G RESERVDLAR TILL GRILLEN



# PB700G RESERVDELAR TILL GRILLEN

Delnr	Beskrivning
1-A	Locklås (× 1)
2-A	Lockhandtag (× 1)
3-A	Lockhandtagets infattning (× 2)
4-A	Huvudbehållare (× 1)
5-A	Pelletstank (× 1)
6-A	Vevstake för flamgrill (× 1)
7-A	Handtag till vevstake för flamgrill (× 1)
8-A	Skjutreglage för flamgrill (× 1)
9-A	Huvudplatta för flamgrill (× 1)
10-A	Vänster framben (× 1)
11-A	Vänster bakben (× 1)
12-A	Höger framben (× 1)
13-A	Höger bakben (× 1)
14-A	Trimdel till vänster framben (× 1)
15-A	Trimdel till vänster bakben (× 1)
16-A	Hjul (× 2)
17-A	Stödplatta höger bak (× 1)
18-A	Stödplatta vänster bak (× 1)
19-A	Kort stödplatta (× 2)
20-A	Lång stödplatta fram (× 1)

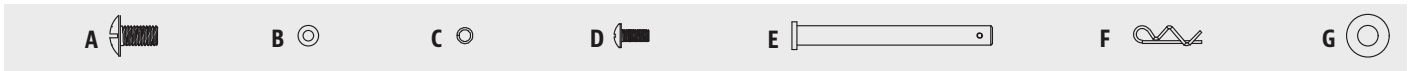
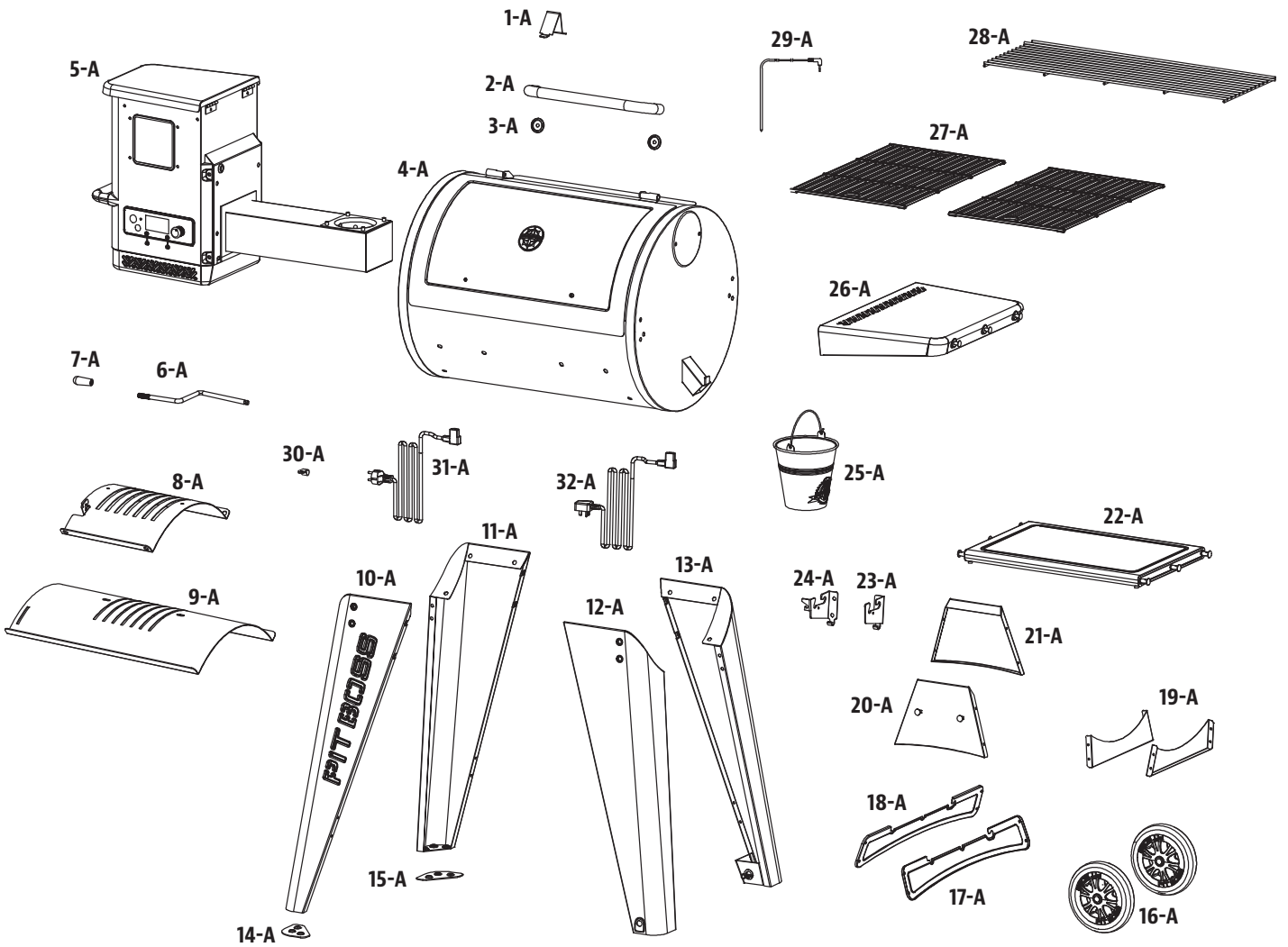
Delnr	Beskrivning
21-A	Lång stödplatta bak (× 1)
22-A	Framhylla (× 1)
23-A	Höger fäste till framhylla (× 1)
24-A	Vänster fäste till framhylla (× 1)
25-A	Dropphink (× 1)
26-A	Höger sidobord (× 1)
27-A	Grillgaller (× 2)
28-A	Uppvärmningsgaller (× 1)
29-A	Köttsond (× 1)
30-A	Klämma för nätkabel (× 1)
31-A	Nätkabel – F-kontakt (× 1)
32-A	Nätkabel – G-kontakt (× 1)
A	Skruv (× 18)
B	Bricka (× 18)
C	Låsbricka (× 18)
D	Skruv (× 30)
E	Sprint till hjulaxel (× 2)
F	Saxsprint till hjul (× 2)
G	Bricka till hjul (× 2)

*OBS! På grund av fortlöpande produktutveckling kan delar komma att bytas ut utan föregående meddelande.*

Illustrerande bild på nästa sida.

MODELL	MONTERAD ENHET (B x H x D)	ENHETSVIKT	GRILLOMRÅDE	TEMPERATURINTERVALL	DIGITALA FUNKTIONER
PB PB700G	1388mm x 1195mm x 940mm / 54,6" x 47" x 37"	66,5 kg / 146,61 lb	Huvudområde - 3109 cm <sup>2</sup> / 482 sq. in. Övre hylla - 1341 cm <sup>2</sup> / 208 sq. in. <b>TOTALT - 4450 cm<sup>2</sup> / 690 sq. in.</b>	82-260°C / 180-500°F	Tio förinställda temperaturlägen, start- och nedkylningsprogram, elektrisk tändare

# PB700G RESERVDLAR TILL GRILLEN



## PB850G RESERVDELAR TILL GRILLEN

Delnr	Beskrivning
1-A	Locklås (× 1)
2-A	Lockhandtag (× 1)
3-A	Lockhandtagets infattning (× 2)
4-A	Huvudbehållare (× 1)
5-A	Pelletstank (× 1)
6-A	Vevstake för flamgrill (× 1)
7-A	Handtag till vevstake för flamgrill (× 1)
8-A	Skjutreglage för flamgrill (× 1)
9-A	Huvudplatta för flamgrill (× 1)
10-A	Vänster framben (× 1)
11-A	Vänster bakben (× 1)
12-A	Höger framben (× 1)
13-A	Höger bakben (× 1)
14-A	Trimdel till vänster framben (× 1)
15-A	Trimdel till vänster bakben (× 1)
16-A	Svänghjul med broms (× 2)
17-A	Hjul (× 2)
18-A	Stödplatta höger bak (× 1)
19-A	Stödplatta vänster bak (× 1)
20-A	Kort stödplatta (× 2)
21-A	Lång stödplatta fram (× 1)

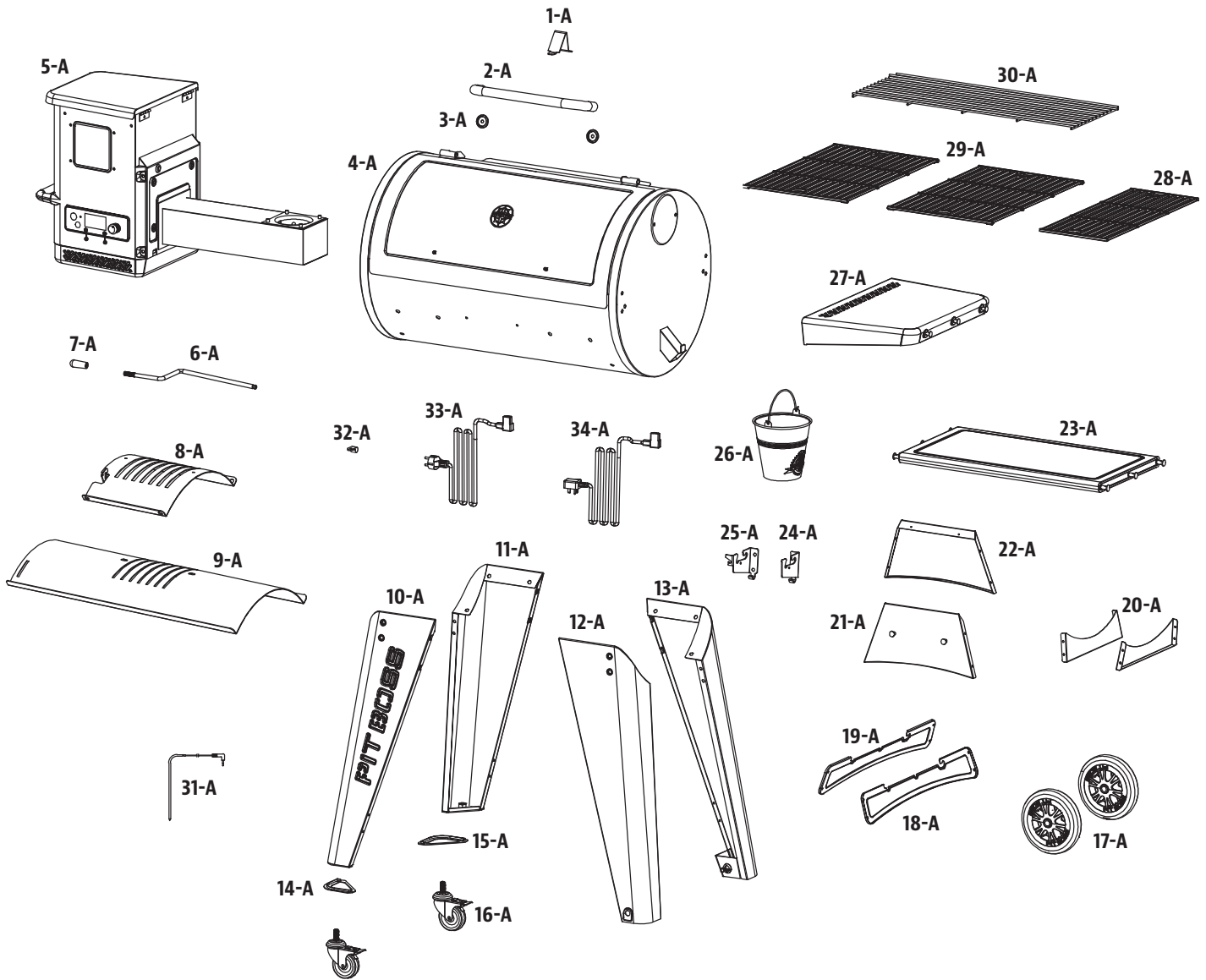
Delnr	Beskrivning
22-A	Lång stödplatta bak (× 1)
23-A	Framhylla (× 1)
24-A	Höger fäste till framhylla (× 1)
25-A	Vänster fäste till framhylla (× 1)
26-A	Dropphink (× 1)
27-A	Höger sidobord (× 1)
28-A	Grillgaller A (× 1)
29-A	Grillgaller B (× 2)
30-A	Uppvärmingsgaller (× 1)
31-A	Köttsond (× 1)
32-A	Klämma för nätkabel (x 1)
33-A	Nätkabel – F-kontakt (x 1)
34-A	Nätkabel – G-kontakt (x 1)
A	Skruv (× 18)
B	Bricka (x 18)
C	Låsbricka (× 18)
D	Skruv (× 30)
E	Skruv (x4)
F	Sprint till hjulaxel (× 2)
G	Saxsprint till hjul (× 2)
H	Bricka till hjul (× 2)

OBS! På grund av fortlöpande produktutveckling kan delar komma att bytas ut utan föregående meddelande.

Illustrerande bild på nästa sida.

MODELL	MONTERAD ENHET (B x H x D)	ENHETSVIKT	GRILLOMRÅDE	TEMPERATURINTERVALL	DIGITALA FUNKTIONER
PB PB850G	1472mm x 1195mm x 940mm / 57,9" x 47" x 37"	74,5kg / 164,24 lb	Huvudområde - 3825.8 cm <sup>2</sup> / 593 sq. in. Övre hylla - 1845.2 cm <sup>2</sup> / 286 sq. in. <b>TOTALT - 5671 cm<sup>2</sup> / 879 sq. in.</b>	82-260°C / 180-500°F	Tio förinställda temperaturlägen, start- och nedkylningsprogram, elektrisk tändare

# PB850G RESERVDELAR TILL GRILLEN



# PB1150G RESERVDELAR TILL GRILLEN

Delnr	Beskrivning
1-A	Locklås (× 1)
2-A	Lockhandtag (× 1)
3-A	Lockhandtagets infattning (× 2)
4-A	Huvudbehållare (× 1)
5-A	Pelletstank (× 1)
6-A	Vevstake för flamgrill (× 1)
7-A	Handtag till vevstake för flamgrill (× 1)
8-A	Skjutreglage för flamgrill (× 1)
9-A	Huvudplatta för flamgrill (× 1)
10-A	Vänster framben (× 1)
11-A	Vänster bakben (× 1)
12-A	Höger framben (× 1)
13-A	Höger bakben (× 1)
14-A	Trimdel till vänster framben (× 1)
15-A	Trimdel till vänster bakben (× 1)
16-A	Svänghjul med broms (× 2)
17-A	Hjul (× 2)
18-A	Stödplatta höger bak (× 1)
19-A	Stödplatta vänster bak (× 1)
20-A	Kort stödplatta (× 2)
21-A	Lång stödplatta fram (× 1)
22-A	Lång stödplatta bak (× 1)

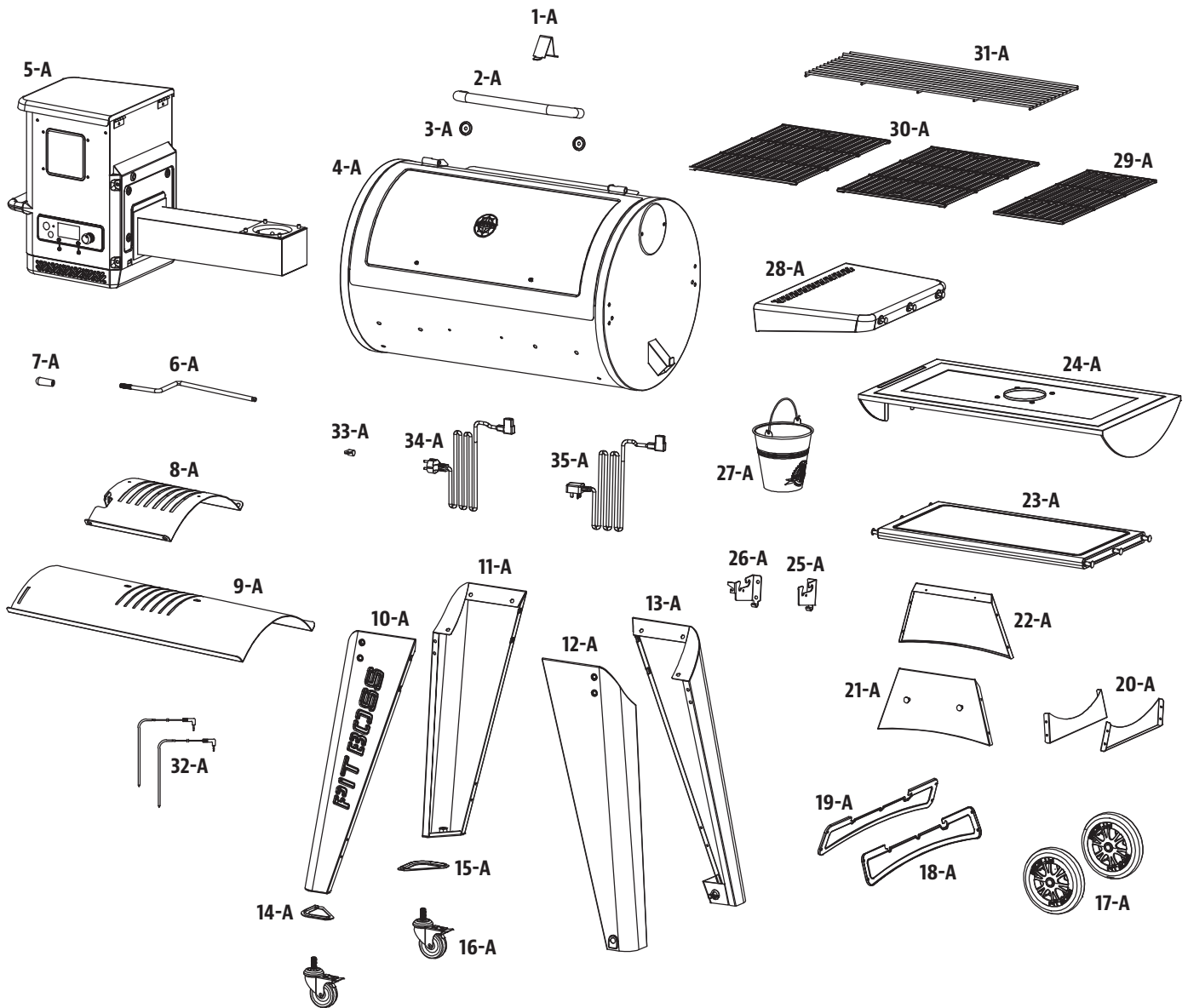
Delnr	Beskrivning
23-A	Framhylla (× 1)
24-A	Diffusorplåt (× 1)
25-A	Höger fäste till framhylla (× 1)
26-A	Vänster fäste till framhylla (× 1)
27-A	Dropphink (× 1)
28-A	Höger sidobord (× 1)
29-A	Grillgaller A (× 1)
30-A	Grillgaller B (× 2)
31-A	Uppvärmingsgaller (× 1)
32-A	Köttsond (× 2)
33-A	Klämma för nätkabel (x 1)
34-A	Nätkabel - F-kontakt (x 1)
35-A	Nätkabel - G-kontakt (x 1)
A	Skruv (× 18)
B	Bricka (x 18)
C	Låsbricka (× 18)
D	Skruv (× 30)
E	Skruv (x6)
F	Sprint till hjulaxel (× 2)
G	Saxsprint till hjul (× 2)
H	Bricka till hjul (× 2)

*OBS! På grund av fortlöpande produktutveckling kan delar komma att bytas ut utan föregående meddelande.*

Illustrerande bild på nästa sida.

MODELL	MONTERAD ENHET (B x H x D)	ENHETSVIKT	GRILLOMRÅDE	TEMPERATURINTERVALL	DIGITALA FUNKTIONER
PB PB1150G	1622mm x 1195mm x 940mm / 63,86" x 47" x 37"	84 kg / 185,19 lb	Huvudområde - 4587,1 cm <sup>2</sup> / 711 sq. in. Övre hylla - 2883,9 cm <sup>2</sup> / 447 sq. in. <b>TOTALT - 7471 cm<sup>2</sup> / 1158 sq. in.</b>	82-260°C / 180-500°F	Tio förinställda temperaturlägen, start- och nedkylningsprogram, elektrisk tändare

# PB1150G RESERVDLAR TILL GRILLEN

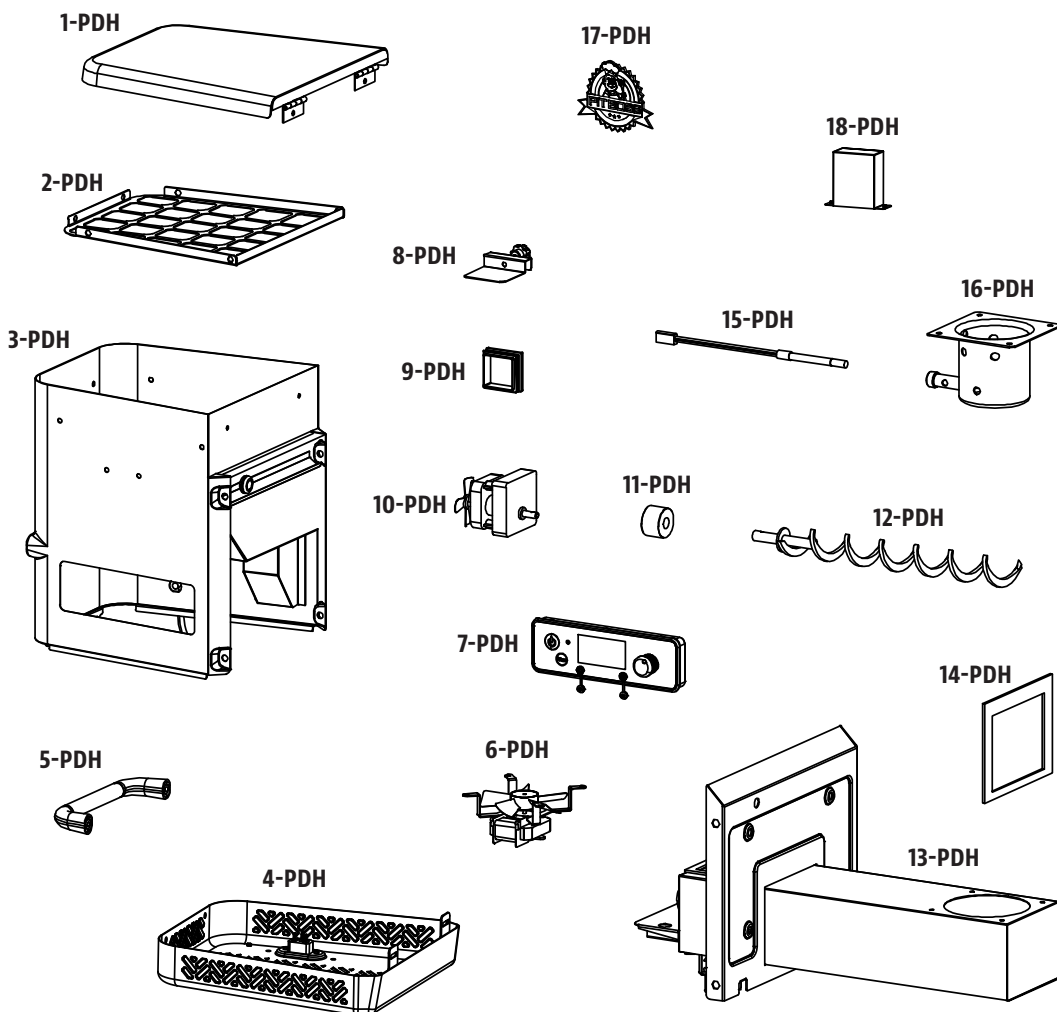


# PB550G RESERVDELAR TILL PELLETSTANKEN

Delnr	Beskrivning
1-PDH	Pelletstankens lock (x 1)
2-PDH	Pelletstankens säkerhetskärm (x 1)
3-PDH	Pelletstankens hölje (x 1)
4-PDH	Pelletstankens lucka (x 1)
5-PDH	Pelletstankens handtag (x 1)
6-PDH	Förbränningsfläkt (x 1)
7-PDH	Pit Boss® -kontrollpanel (x 1)
8-PDH	Dropprännans plåt (x 1)
9-PDH	Dropprännans hölje (x 1)

Delnr	Beskrivning
10-PDH	Inmatningsmotor (x 1)
11-PDH	Nylonbuskning (x 1)
12-PDH	Inmatningsenhet (x 1)
13-PDH	Inmatningshölje (x 1)
14-PDH	Packning för pelletstankens hölje (x 1)
15-PDH	Tändare (x 1)
16-PDH	Förbränningskammare (x 1)
17-PDH	Märkskylt (x 1)
18-PDH	Vattentätt hölje för nätkabel (x 1)

OBS! På grund av fortlöpande produktutveckling kan delar komma att bytas ut utan föregående meddelande.



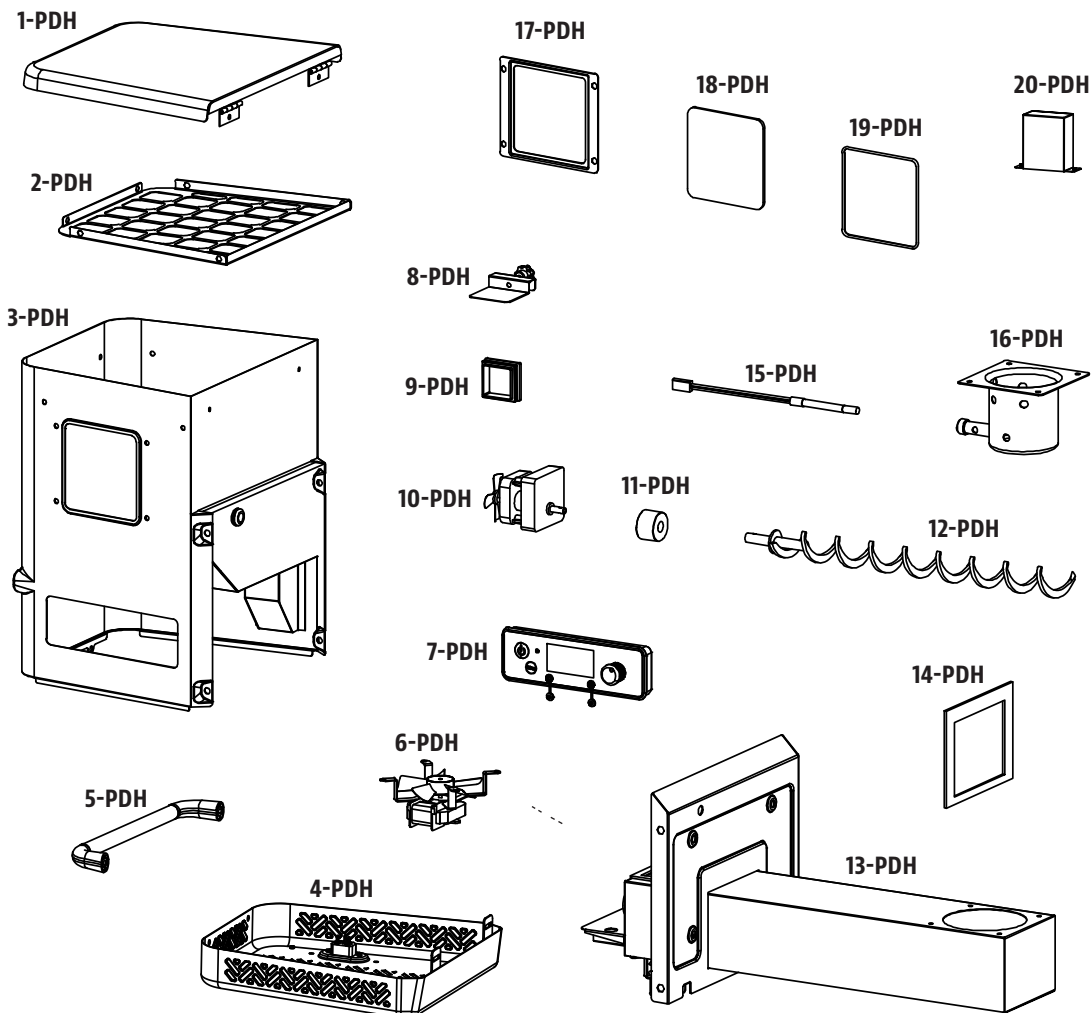


# PB700G / PB850G / PB1150G RESERVDELAR TILL PELLETSTANKEN

Delnr	Beskrivning
1-PDH	Pelletstankens lock (x 1)
2-PDH	Pelletstankens säkerhetsskärm (x 1)
3-PDH	Pelletstankens hölje (x 1)
4-PDH	Pelletstankens lucka (x 1)
5-PDH	Pelletstankens handtag (x 1)
6-PDH	Förbränningsfläkt (x 1)
7-PDH	Pit Boss® -kontrollpanel (x 1)
8-PDH	Dropprännans plåt (x 1)
9-PDH	Dropprännans hölje (x 1)
10-PDH	Inmatningsmotor (x 1)

Delnr	Beskrivning
11-PDH	Nylonbussning (x 1)
12-PDH	Inmatningsenhet (x 1)
13-PDH	Inmatningshölje (x 1)
14-PDH	Packning för pelletstankens hölje (x 1)
15-PDH	Tändare (x 1)
16-PDH	Förbränningskammare (x 1)
17-PDH	Glasplatta (x 1)
18-PDH	Glas (x 1)
19-PDH	Gummipackning (x 1)
20-PDH	Vattentätt hölje för nätkabel (x 1)

OBS! På grund av fortlöpande produktutveckling kan delar komma att bytas ut utan föregående meddelande.



# GARANTI

## VILLKOR

För alla träpelletsgrillar från Pit Boss®, tillverkade av Dansons Inc., medföljer en begränsad garanti från försäljningsdatumet för den ursprungliga ägaren. Garantitäckningen börjar på det ursprungliga inköpsdatumet och det krävs bevis på inköpsdatumet, eller kopia av det ursprungliga försäljningskvittot, för att bekräfta garantin. Kunder är ansvariga för delar, frakt, leverans och hanteringsavgifter om de inte kan bevisa köpet eller efter att garantin har löpt ut.

Dansons har en fem (5) års garanti som omfattar defekter och utförande för alla delar, och fem (5) års garanti som omfattar elektriska komponenter. Dansons garanterar att alla delar är fria från defekter i material och utförande, för hela användningsperioden och den ursprungliga köparens ägandeperiod. Garantin täcker inte skador till följd av slitage, till exempel repor, bucklor, flisor eller mindre kosmetiska sprickor. Dessa estetiska förändringar av grillen påverkar inte dess prestanda. Reparation eller utbyte av någon del sträcker sig inte längre än den begränsade garantin utöver de fem (5) åren från inköpsdatumet.

Under garantiperioden ska Dansons skyldighet begränsas till att tillhandahålla en ersättning för defekta och/eller felaktiga komponenter. Så länge det är inom garantiperioden debiterar Dansons inte för reparation eller utbyte av återlämnade delar, förbetald frakt, om delarna har visat sig vara felaktiga vid undersökningen. Dansons ansvarar inte för transportkostnader, arbetskostnader eller exporttullar. Med undantag för vad som anges i dessa garantivillkor, ska reparation eller utbyte av delar på det sätt som nämnts tidigare utgöra uppfyllandet av alla direkta och härledda ansvar och skyldigheter från Dansons till dig.

Dansons vidtar alla försiktighetsåtgärder för att använda material som är rostbeständiga. Även med dessa skyddsåtgärder kan skyddsbeläggningarna äventyras av olika ämnen och förhållanden utanför Dansons kontroll. Höga temperaturer, överdriven luftfuktighet, klor, industriella ångor, gödselmedel, bekämpningsmedel och salt är några av de ämnen som kan påverka metallbeläggningar. Av dessa skäl täcker garantin inte rost eller oxidation, såvida strukturen på grillkomponenten förloras. Om något av ovanstående inträffar, vänligen se avsnittet för skötsel och underhåll för att förlänga enhetens livslängd. Dansons rekommenderar användning av ett överdragsskydd när grillen inte används.

Denna garanti är baserad på normalt hushållsbruk och service av grillen och ingen begränsad garantitäckning gäller för en grill som används i kommersiellt bruk.

## UNDANTAG

Det finns ingen skriftlig eller underförstådd prestationsgaranti på Pit Boss®-grillar, eftersom tillverkaren inte har någon kontroll över installation, drift, rengöring, underhåll eller typen av bränsle som används. Denna garanti kommer inte att gälla och Dansons har inget ansvar om din apparat inte har installerats, använts, rengjorts och underhålls i strikt överensstämmelse med denna bruksanvisning. All användning av gas som inte anges i denna bruksanvisning kan upphäva garantin. Garantin täcker inte skador eller brott på grund av missbruk, felaktig hantering eller modifieringar.

Varken Dansons, eller en auktoriserad Pit Boss®-återförsäljare, accepterar ansvar, juridiskt eller på annat sätt, indirekt skada eller följdskada på egendom eller personer som har uppstått genom användning av denna produkt. Oavsett om det görs anspråk på Dansons baserat på brott mot denna garanti eller någon annan typ av garanti uttryckt eller underförstådd enligt lag, ska tillverkaren under inga omständigheter vara ansvarig för några särskilda, indirekta, följdskador eller andra skador av någon annan typ utöver det ursprungliga köpet av denna produkt. Alla garantier från tillverkaren anges häri och inget krav ska göras gentemot tillverkaren för någon garanti eller representation.

Vissa stater tillåter inte uteslutning eller begränsning av indirekta skador eller följdskador eller begränsningar av underförstådda garantier, så de begränsningar eller undantag som anges i denna begränsade garanti kanske inte gäller dig. Denna begränsade garanti ger dig specifika lagliga rättigheter och du kan ha andra rättigheter som varierar från stat till stat.

## BESTÄLLA RESERVDELAR

Vill du beställa reservdelar kontaktar du en lokal Pit Boss®-återförsäljare eller besöker vår onlinebutik på: [www.pitboss-grills.com](http://www.pitboss-grills.com)

## KONTAKTA KUNDTJÄNST

Om du har några frågor eller problem kontaktar du kundtjänst måndag–söndag kl. 04.00–20.00 PST (EN/FR/ES).

[service@pitboss-grills.com](mailto:service@pitboss-grills.com) | Avgiftsfritt: 1-877-303-3134 | Avgiftsfri fax: 1-877-303-3135

## GARANTISERVICE

Kontakta närmaste Pit Boss®-återförsäljare för reparation eller reservdelar. Dansons Inc. kräver köpbevis för att upprätta en garantikrav. Behåll därför ditt ursprungliga försäljningskvitto eller fakturan för framtida referens. Serie- och modellnummer för Pit Boss®-enheten finns på baksidan av pelletstanken. Skriv ner och spara numren nedan eftersom etiketten kan nötas eller på annat sätt bli oläslig.

---

MODELL

---

SERIENUMMER

---

INKÖPSDATUM

---

AUKTORISERAD SÄLJARE

SE

SVENSKA

# OHUTUSTEAVE

## **SEADMETE TULEKAHJUDE PEAMISED PÕHJUSED ON HALB HOOLDUS JA TULEOHTLIKE MATERJALIDE HOIDMINE EBAPIISAVAL KAUGUSEL. ON ÄÄRMISELT TÄHTIS, ET SEDA TOODET KASUTATAKSE AINULT VASTAVALT JÄRGMISTELE JUHISTELE.**

Enne toote koostamist, kasutamist või paigaldamist lugege läbi kogu see juhend ja mõistke seda. See tagab uue puitpelletigrilli kõige nauditavama ja muretuma kasutamise. Samuti soovime teil säilitada see juhend edaspidiseks kasutamiseks.

### OHUD JA HOIATUSED

**Vajalike lubade, missiooni või teabe saamiseks paigalduspiirangute kohta, nagu näiteks mis tahes grilli paigaldamise kohta põlevale pinnale, ülevaatusnõuete või isegi kasutamisevõimaluste kohta, peate pöörduma kohaliku omavalitsuse, oma piirkonna ehitus- või tuletõrjemetnike või pädeva asutuse poole.**

1. Tuleohtlike konstruktsioonide kaugus grilli külgedest peab olema vähemalt 914 mm (36 tolli) ja tagaosast 914 mm (36 tolli). **Ärge paigaldage seadet tuleohtlikele põrandatele ega tuleohtlike katetega kaetud põrandatele, välja arvatud juhul, kui pädevad asutused on seda lubanud.** Ärge kasutage seda seadet siseruumides ega suletud ventilatsioonita piirkonnas. Seda puitpelletiseadet ei tohi asetada tuleohtliku lae ega katuse alla. Hoidke oma grilli kohas, kus puuduvad tuleohtlikud materjalid, bensiin ja muud tuleohtlikud aurud ning vedelikud.

**Kui rasv süttib, lülitage grill välja ja katke kaanega, kuni tuli kustub. Eemaldage toitejuhe pistikupesast. Ärge visake seadmele vett. Ärge proovige tuld lämmatada. Kasulik on kohapeal hoida kinnitatud kõigi tuleklasside (klass ABC) tulekustutit. Kui tulekahju väljub kontrolli alt, helistage tuletõrjesse.**

2. Hoidke elektritoitejuhtmeid ja kütust eemal kuumadest pindadest. Ärge kasutage grilli viimas ega veeallikate läheduses.
3. Pärast ladustamist või kasutamise vaheaega kontrollige põletusresti takistuste ja punkrit võrkehade suhtes ning ventilaatori sisselaskeava, korstna ja tagumiste väljalaskeavade ummistusi. Enne kasutamist puhastage. Seadme eluea pikendamiseks on vajalik regulaarne hooldus ja korrashoid. **Kui grilli hoitakse vihmaperioodil või kõrge õhuniiskusega aastaagadel väljas, tuleb jälgida, et punkrisse ei satuks vett.** Märjana või kokkupuutel niiske õhuga puitpelletid paisuvad tugevalt, lagunevad ja võivad etteandesüsteemi ummistada. Enne mis tahes teenindus- või hooldustöid tuleb toide alati lahutada.

**Ärge teisaldage grilli kasutamise ajal või kui grill on kuum. Enne teisaldamist veenduge, et tuli on täiesti kustunud ja grill on puudutades täiesti jahtunud.**

4. Grilli kasutamisel on soovitatav kasutada kuumuskindlaid grillimis- või kaitsekindaid. Ärge kasutage tarvikuid, mis pole selle seadme jaoks ette nähtud. Ärge hoidke hoiukohas grilli all grilli kaant ega tuleohtlikke esemeid.
5. Sõrmede, rõivaste või muude esemete kokkupuute vältimiseks tigukonveierisüsteemiga on seade varustatud metallist turvavõrega, mis on kinnitatud punkri sisse. Seda võret ei tohi eemaldada, v.a klienditeeninduse või volitatud edasimüüja loal.

**Seda seadet ei soovitata kasutada lastel ja isikutel, kellel on piiratud füüsilised, sensoorsed või vaimsed võimed või kellel puuduvad kogemused ja teadmised, välja arvatud juhul, kui nad on nende ohutuse eest vastutava isiku otsese järelevalve all või kui ta neid juhendab.**

6. Grilli osad võivad tugevalt kuumeneda ja tekitada raskeid vigastusi. Hoidke väikelapsed ja lemmikloomad kasutamise ajal eemal.
7. Ärge suurendage süüteseadme auke ega tulekoldeid. Selle hoiatuse eiramine võib põhjustada tulekahjuohu ja kehavigastusi ning tühistab garantii.
8. Tootel võivad olla teravad servad või otsad. Kokkupuude võib vigastada. Käsitsege ettevaatlikult.

## TUHA EEMALDAMINE

Tuhk tuleks panna tihedalt suletava kaanega metallmahutisse. Suletud tuhamahuti tuleks kuni tuha lõpliku kõrvaldamiseni asetada mittesüttivale põrandale või maapinnale, eemale kõigist tuleohtlikest materjalidest. Kui tuhk maetakse maha või hajutatakse lokaalselt muul viisil, tuleks seda hoida suletud mahutis, kuni kõik tuhaosakesed on täiesti jahtunud.

## PUITPELLETIKÜTUS

See pelletiküttega küpsetusseade on ette nähtud ja kinnitatud ainult looduslikule puitpelletikütusele. Mis tahes muu selles seadmes põletatud kütus tühistab garantii ja ohutuskardi toime. Võite kasutada ainult täiesti looduslikke puitpelletteid, mis on ette nähtud põletamiseks pelletigrillides. Ärge kasutage lisanditega kütust. Puitpelletid on niiskuse suhtes väga tundlikud ja neid tuleks alati hoida õhukindlas anumas. Kui hoiate oma grilli pikemat aega kasutuseta, soovime ummistuste vältimiseks eemaldada grilli punkrist ja tigukonveierist kõik pelletid.

**Ärge kasutage grillis tule süütamiseks ja õhutamiseks piiritust, bensiini, tulemasinavedelikku ega petrooleumi. Hoidke kõiki selliseid vedelikke seadme kasutamisel eemal.**

Trükkimise ajal ei ole grillpuitpelletite jaoks tööstusstandardit, ehkki enamus pelletitehaseid kasutavad kodumajapidamises kasutatavate puitpelletite valmistamiseks samu standardeid. Lisateabeks vt [www.pelletheat.org](http://www.pelletheat.org) või *Pelletikütuse instituut*.

Teie piirkonna pelletite kvaliteedi ja brändikvaliteedi kohta saate teavet kohalikult edasimüüjalt. Kuna kasutatavate pelletite kvaliteedi üle puudub kontroll, ei vastuta me halva kütusekvaliteedi põhjustatud kahju eest.

## KREOSOOT

Kreosoot ehk nõgi on tõrvasarnane aine. Põlemisel tekitab see musta suitsu, mille jäägid on ka musta värvi. Nõgi või kreosoot moodustub seadme valel kasutamisel, nt põletusventilaatori ummistuse, põletuspiirkonna puhastamata ja hooldamata jätmise, niiskete pelletite kasutamise või halva õhuvarustuse korral põletamisel.

Selle seadme kasutamine on ohtlik, kui leek muutub tumedaks, tahmaseks või kui tulekolle on pelletitega ületäitunud. Süttimisel tekitab see kreosoot äärmiselt kuumat ja juhimatut tule, mis on sarnane tulega rasva põlemisel. Sel juhul lülitage seade välja, laske täielikult jahtuda, seejärel kontrollige, kas see on korras ja puhastatud. Tavaliselt koguneb see väljalaskepiirkondadesse.

Kui seadmes on moodustunud kreosoot, laske seadmel madalal temperatuuril soojeneda, lülitage seade välja ja pühkige kõik moodustised lapiga ära. Sarnaselt tõrvaga on seda soojana puhastada palju lihtsam, kuna see muutub vedelaks.

## SÜSINIKMONOKSIID ("VAIKNE TAPJA")

Süsinikmonoksiid on värvitu, lõhnatu ja maitsetu gaas, mis moodustub gaasi, puidu, propaani, söe või muu kütuse põletamisel. Süsinikmonoksiid vähendab vere võimet siduda hapnikku. Väike hapnikusisaldus veres võib põhjustada peavalu, pearinglust, nõrkust, iiveldust, oksendamist, unisust, segasust, teadvusekaotust või surma. Järgige neid juhiseid, et see värvitu ja lõhnatu gaas ei mürgitaks teid, teie perekonda ega teisi:

- Pöörduge arsti poole, kui teil või teistel tekivad toiduvalmistamise ajal või seadme läheduses külmetuse või gripilaadsed sümptomid. Süsinikmonooksiidi mürgistus, mille võib kergesti segi ajada külmetuse või gripiga, avastatakse sageli liiga hilja.
- Alkohool ja narkootikumid suurendavad süsinikmonoksiidi mürgituse mõju.

Süsinikmonoksiid on eriti mürgine emale ja lapsele raseduse ajal, imikutele, eakatele, suitsetajatele ning inimestele, kellel on probleeme vere- või vereringesüsteemiga, näiteks aneemia või südamehaigus.

## OHUTUSLOEND

On kooskõlas standarditega EN 60335-2-102:2016, EN 60335-1:2012 + A11:2014 + A13:2017 + A1:2021 + A14:2021 + A2:2021, EN62233:2008, EN 55014-1:2017, EN 61000-3-2:2014, EN 61000-3-3:2013, EN 55014-2:2015.



EE

EESTI KEEL

# SISUKORD

Ohutusteave.....	268	Varuosad	
Kasutusjuhised		Grilli PB550G varuosad .....	282
Grillimiskeskond .....	271	Grilli PB700G varuosad.....	284
Grilli temperatuurivahemikud.....	272	Grilli PB850G varuosad .....	286
Juhtpaneel .....	272	Grilli PB1150G varuosad.....	288
Andurid .....	273	Punkri PB550G varuosad .....	290
„P“-seade.....	274	Punkri PB700G / PB850G / PB1150G varuosad.....	291
Punkri eelkäivitus.....	274	Garantii	
Esimene kasutuskord – grilli puhtakspõletamine .....	274	Tingimused .....	292
Automaatne käivitaminemine.....	274	Erandid.....	292
Käsitsi käivitaminemine.....	275	Varuosade tellimine .....	293
Grilli väljalülitamine.....	275	Klienditeenindusega kontakteerumine .....	293
Korrashoid ja hooldus .....	276	Garantiiteenindus .....	293
Näpunäited ja tehnikad.....	278		
Tõrkeotsing.....	279		
Elektriskeem.....	281		



## AUTORIÕIGUSE TEATIS

Autoriõigus 2021. Kõik õigused kaitstud. Ühtegi selle juhendi osa ei tohi mingil kujul ega mingil viisil kopeerida, edastada, transkribeerida ega salvestada ilma sellekohase kirjaliku loata

### Dansons

3411 North 5th Avenue, Suite 500, Phoenix, AZ, USA 85013  
sales@pitboss-grills.com | service@pitboss-grills.com

[www.pitboss-grills.com](http://www.pitboss-grills.com)

### Klienditeenindus

Esmaspäevast pühapäevani, kell 4 kuni 20 PST (EN/FR/ES)

**Tasuta: 1-877-303-3134, Faks: 1-877-303-3135**

# KASUTUSJUHISED

Tänapäevase elustiili juures, kus süüakse tervislikke ja toitainerikkaid toite, tuleb kaaluda rasva tarbimise vähendamist. Üks paremaid viise rasva vähendamiseks dieedis on madala rasvasisaldusega toidu valmistamise meetod, näiteks grillimine. Kuna pelletigrillis kasutatakse naturaalseid puitpelleteid, jääb lihale rikkalik puidumaitse, mis vähendab vajadust kõrge suhkrusisaldusega kastmete järele. Selles kasutusjuhendis märkate rõhuasetust toidu aeglasele grillimisele MADALAL või KESKMISEL temperatuuril.

## GRILLIMISKESKKOND

### 1. KUHU GRILL ÜLES SEADA

Kõigi väliseadmete puhul mängivad välised ilmastikutingimused suurt rolli teie grilli töös ja küpsetusaegade valikus, mis on vajalikud täiuslike roogade valmistamiseks.

Tuleohtlike konstruktsioonide kaugus Pit Boss® seadmetest peab olema vähemalt 914 mm (36 tolli) ja seda kaugust tuleb seadme käitamisel hoida. Seda seadet ei tohi asetada tuleohtliku lae ega katuse alla. Hoidke oma grilli kohas, kus puuduvad tuleohtlikud materjalid, bensiin ja muud tuleohtlikud aurred ning vedelikud.

### 2. KÜPSETAMINE KÜLMA ILMAGA

Kui õues muutub jahedamaks, ei tähenda see, et grillimishooaeg on läbi! Karge jahe õhk ja suitsutatud toitade taevane aroom aitavad ravida teie talvist nukrust.

Järgige neid soovitusi oma grilli nautimiseks jahedamatel kuudel.

- Kui madalatel temperatuuridel suitsutamine ebaõnnestub, tõstke sama tulemuse saavutamiseks pisut temperatuuri.
- Korraldage - enne suundumist õue seadke kõik vajalik köögis valmis. Talvel viige grill varju tuule ja otsese külma eest. Kontrollige kohalikke norme, mis käsitlevad teie grilli kaugust teie kodust ja/või muudest tarinditest. Pange kõik vajalikud ajad alusele, siduge kokku ja tehke see ära!
- Välistemperatuuri jälgimiseks pange välitermomeeter oma küpsetusala lähedusse. Pidage päevikut või registreerige küpsetisi, välistemperatuuri ja küpsetusaega. See aitab teil hiljem otsustada, mida küpsetada ja kui kaua see võtab aega.
- Väga külma ilmaga pikendage eelsoojendusaega vähemalt 20 minuti võrra.
- Vältige kaane tõstmist rohkem kui see on vajalik. Külmad tuuleiilid võivad teie grilli täiesti maha jahutada. Olge serverimisajaga paindlik; kaane iga avamise korral lisage küpsetusaega.
- Pange soojendatud vaagen või roakate valmis, et hoida oma toit soojana, kui käite vahepeal ära.
- Talviseks küpsetamiseks on ideaalsed toidud sellised, mis nõuavad vähe tähelepanu, näiteks praed, terved kanad, ribid ja kalkun. Tehke toiduvalmistamine veelgi kergemaks, lisades lihtsaid toiduaineid, näiteks köögivilju ja kartuleid.

### 3. KÜPSETAMINE KUUMA ILMAGA

Kui ilm soojeneb, küpsetusaeg lüheneb.

Järgige neid soovitusi oma grilli nautimisel soojadel kuudel.

- Reguleerige küpsetustemperatuur madalamale. See aitab vältida soovimatuid leegitsusi.
- Toidu sisetemperatuuri mõõtmiseks kasutage lihatermomeetrit. See aitab vältida liha üleküpsetamist ja kuivamist.
- Isegi kuuma ilmaga on ikka parem küpsetada suletud grillikaanega.
- Saate toitu soojas hoida, pakkides need fooliumisse ja asetades isoleeritud jahutusasti. Mässige fooliumisse pakitud toidu ümber ajalehepaber, see hoiab toitu soojana 3 kuni 4 tundi.

## GRILLI TEMPERatuurivahemikud

Temperatuurinäit juhtpaneelil ei pruugi täpselt vastata termomeetri näidule. Kõik järgnevas loetletud temperatuurid on ligikaudsed ja neid mõjutavad järgmised tegurid: välisõhu temperatuur, tuule kiirus ja suund, kasutatava pelletikütuse kvaliteet, kaane avamine ja küpsetatava toidu kogus.

- **KÕRGE TEMPERatuurUR (205-260 °C / 401-500 °F)**

Seda vahemikku on kõige parem kasutada suure kuumusega pruunistamiseks ja grillimiseks. Kasutage koos leegihajutiga (kelguplaat) küpsetamiseks hajutatud või otsesel leegil. Avatud **leegihajuti** korral kasutatakse otsest leeki vähe küpsetatud steikide, aga ka leegiga veidi kokkupuutunud köögiviljade, küüslauguleiva ja muu valmistamiseks! Suletud **leegihajuti** korral ringleb õhk trumlis kandes konvektsioonsoojust. Kõrget temperatuuri kasutatakse ka grilli eelsoojendamiseks, küpsetusrestide puhtakspõletamiseks ja tugevaks kuumutamiseks külma ilmaga.

- **KESKMINE TEMPERatuurUR (135-180 °C / 275-356 °F)**

See vahemik sobib kõige paremini küpsetamiseks, röstimiseks ja aeglaselt suitsutatud toidu järevalmistamiseks. Küpsetamine sellisel temperatuuril vähendab tunduvalt rasva süttimise tõenäosust. Veenduge, et leegihajuti kelk on suletud asendis, kattes pilude avad. Suurepärase valik peekonisse mähitud toidu valmistamiseks või siis, kus soovite toiduvalmistamist paindlikult reguleerida.

- **MADAL TEMPERatuurUR (82-125 °C / 180-257 °F)**

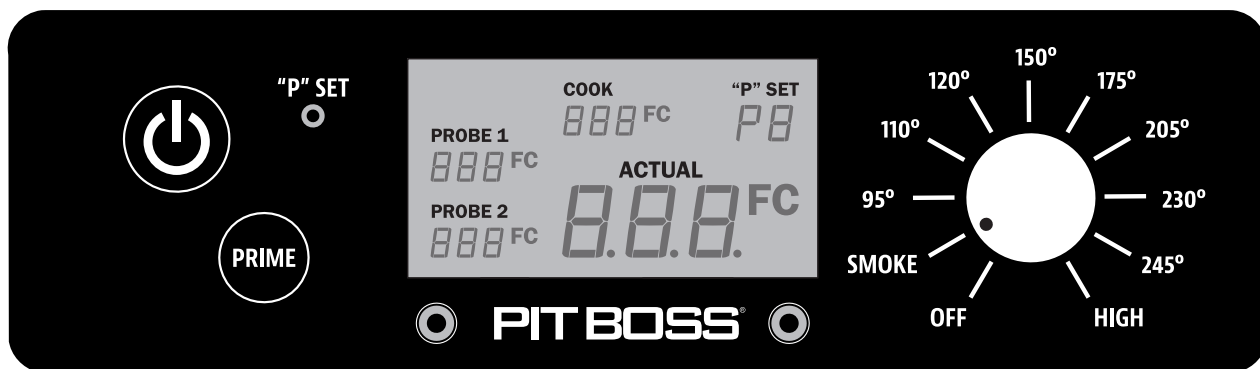
Seda vahemikku kasutatakse aeglaseks röstimiseks, suitsuse maitse tugevdamiseks ja toitude hoidmiseks soojana. Lisage rohkem suitsumaitset ja hoidke liha mahlasemana, küpsetades seda kauem madalamal temperatuuril (nimetatakse ka **madal-aeglane**). Soovitav suure kalkuni küpsetamiseks tänapühadel, mahlaka singi küpsetamiseks lihavõttepühade ajal või suure prae küpsetamiseks pühaderoaks.

Suitsutamine on tõelise grillimise variatsioon ja on tõepoolest puitpelletitega grillimise peamine eelis. **Kuumsuitsutamine**, mida nimetatakse ka **madal-aeglaseks** küpsetamiseks, toimub tavaliselt temperatuuril 82-125°C / 180-257°F. Kuumsuitsutamine toimib kõige paremini siis, kui on vaja pikemat küpsetusaega, näiteks suurte liha-, kala- või linnuliha jaotustükkide korral.

**NÄPUNÄIDE:** selle hõrgu maitse tugevdamiseks lülitage sisse (madal) temperatuurivahemik **SUITS** vahetult pärast toidu asetamist grilli. See võimaldab suitsul tungida läbi liha.

Peamine on katsetada suitsutamise kestust roa valmimiseks. Mõned välikokad eelistavad suitsutada küpsetamise lõpus, hoides toitu soojana kuni serveerimiseni. Harjutamine teeb meistriks!

## JUHTPANEEL



JUHTSEADE	KIRJELDUS
	Vajutage nuppu <b>Toide</b> , et seade sisse lülitada. Kui seade on ühendatud toitega, helendab nupp siniselt. Seadme väljalülitamiseks vajutage nuppu uuesti.



	<p><b>Temperatuuri reguleerimise pöördnupp</b> võimaldab seada vajaliku suitsutamistemperatuuri. Kui seade on ühendatud toitiga ja on vajutatud toitenuppu, keerake pöördnuppu ja valige üks kümnest eelseatud temperatuurist vahemikus 82–260 °C/ 180–500 °F. Kui pöördnupp on keeratud eelseatud temperatuurile, süttib numbriline LCD ekraan, mis näitab, et seade on töövalmis. Kui pöördnupp on välja lülitatud, jääb numbriline LCD ekraan väljalülitatuks.</p>
<p>"P" SET</p> 	<p><b>"P"-seade nuppu</b> kasutatakse kaheksast peenhäälestusastmest ühe valimiseks, kui temperatuuri regulaatori pöördnupp on seatud asendisse Suits. Vajutage seda nuppu, et muuta "P"-seadet vastavalt oma eelistatud küpsetusstiilile ja küpsetuskeskkonnale. Nupu iga <u>lühivajutus</u> kasvatab seadet P0-st kuni P7-ni ja siis kordab järjestust. See reguleerimine on võimalik ainult sätte Suits korral. Tehase vaikesäte on "P4". Kui "P"-seade on kohandatud, lukustatakse teie eelistus (salvestatakse) kuni järgmise reguleerimiseni.</p> <p>Nuppu <b>"P"-seade</b> kasutatakse ka <b>Temperatuurilüliti juhtimiseks</b>, et muuta temperatuurinäitu LCD ekraanil. Vajutage ja hoidke nuppu kaks sekundit, et vastavalt eelistusele lülitada ümber Celsiuse (°C) ja Fahrenheiti (°F) skaalade vahel. Vaikimisi on seatud Celsiuse.</p>
	<p><b>LCD ekraani</b> kasutatakse seadme teabekeskusena. LCD ekraanil kuvatakse soovitud küpsetustemperatuur, tegelik küpsetustemperatuur ja lihasondide temperatuure (kui on ühendatud). Kui on ühendatud ainult üks lihasond, kuvatakse ainult üks näit.</p>
	<p>Vajutage ja hoidke nuppu <b>Eelkäivitus</b>, et lisada tulekoldesse täiendav annus pelletteid. Selle abil saab enne trumlikaane avamist lisada koldesse rohkem kütust, mille tulemusena soojus taastub kiiremini. Seda saab kasutada ka suitsutamise ajal, et suurendada puhta suitsumaitse intensiivsust. Üle võetud võistlevatelt ahjudelt.</p>
<p><b>SMOKE</b></p>	<p>Seade <b>Suits</b> temperatuuri reguleerimise pöördnupul on seadme käivitusrežiim. Grill töötab kustumata madalaimal temperatuuril.</p>
	<p>Pistikupesad juhtpaneeli esiküljel on <b>lihasondi(de)le</b>. Kui lihasond on ühendatud, kuvatakse LCD ekraanil temperatuur. Kui lihasondi ei kasutata, lahutage lihasond ühenduspesast. <i>Ühildub ainult Pit Boss® kaubamärgiga lihasondidega. Täiendavaid lihasonde müüakse eraldi.</i></p> 

## ANDURID

### • TEMPERAATUURIANDUR

Temperatuuriandur asub peatrumli vasakul seinal. See on väike vertikaalne roostevaba terase tükk. Temperatuuriandur mõõdab seadme sisetemperatuuri. Kui temperatuuri reguleeritakse juhtpaneelil, mõõdab temperatuuriandur seadmesisest tegelikku temperatuuri ja reguleerib soovitud temperatuurile.

**TÄHTIS.** Teie seadme temperatuuri mõjutavad oluliselt väliskeskonna ilm, kasutatavate pelletite kvaliteet, pelletite liik ja küpsetatavate toiduainete kogus.

### • LIHASOND

Lihasond mõõdab liha sisetemperatuuri grillis, sarnaselt siseahjuga. Ühendage lihasondi adapter juhtpaneeli lihasondi ühenduspesaga ja sisestage roostevabast terasest lihasond liha kõige paksemasse osasse ning temperatuur kuvatakse juhtpaneelil. **Veendumaks lihasondi korralikus ühenduses pesaga, tunnetage ja kuulake selle klõpsuga sobitumist oma kohale.**

**MÄRKUS.** Lihasondi sisestamisel lihasse veenduge, et lihasond ja lihasondi juhtmed ei satu otsekontakti leegi või liigse kuumusega. See võib lihasondi kahjustada. Viige juhe läbi põhigrilli tagumiste väljalaskeavade või läbi põhigrilli ülaosa (grillikaane hingede lähedal). Kui lihasondi ei kasutata, eemaldage see ühenduspesast ja pange kaitstud ja puhtana kõrvale.

## "P"-SEADE

Kui vajutada süvistatud nuppu "P"-seade, siis LCD ekraanil kuvatav "P"-seade säte vilgub ja lülitub järgmisele väärtusele (suuremale). Pärast jõudmist P7-ni alustatakse uuesti P0-st. "P"-seade sätteid on kaheksa, vahemikus P0 kuni P7. Süvistatud nuppu "P"-seade saab vajutada teravaotsalise esemega.

**TÄHTIS. Ärge vajutage "P"-seade nuppu liiga tugevalt, kuna see võib seadet kahjustada. Vajalik on vaid kerge vajutus.**

### • "P"-SEADE KASUTAMINE REŽIIMIS SUITS

Kui temperatuuri pöördnupp on seatud asendisse SUITS, näiteks käivitustsükli korral, töötab tigukonveier pigem käsitsi küpsetamise režiimis, mitte arvestades eelseatud temperatuuri. Alguses liigub tigukonveier pidevalt ja annab pelletteid ette neli minutit. Nelja minuti pärast alustab tigu etteandetsükli lähtudes numbrilisel juhtpaneelil valitud "P"-seade sättest. Vaikesäte on P4.

TIGUKONVEIERI TSÜKKEL (sekundid)		
"P"- SEADE	SEES	VÄLJAS
P0	18	55
P1	18	70
P2	18	85
P3	18	100
*P4	18	115
P5	18	130
P6	18	140
P7	18	150

\* Tehase vaikesäte

## PUNKRI EELKÄIVITUS

Neid juhiseid tuleks järgida, kui grill süüdatakse esimest korda ja iga kord, kui pelletid saavad grillis otsa. Tigu tuleb käivitada, et pelletid saaksid liikuda kogu teo pikkuses ja täita tulekolde. **Kui seda pole eelkäivitatud, siis enne pelletite süütamist süüteseade ootab ja tuld ei süüta.** Punkri eelkäivitamiseks tehke järgmist.

1. Avage punkri kaas. Veenduge, et punkris pole võõrkehi ja tiguetteandesüsteem põhjas ei ole ummistunud.
2. Eemaldage grilli seest kõik küpsetuskomponendid. Leidke tulekolle peatrumli põhjas.
3. Ühendage toitejuhe toiteallikaga. Seadme sisselülitamiseks vajutage nuppu **Toide** ja keerake **Temperatuuri reguleerimise pöördnupp** asendisse SUITS. Kontrollige järgmist.
  - Kas teo pöörlemist on kuulda. Asetage käsi tulekolde kohale ja kontrollige kas õhk liigub. Ärge pange kätt ega sõrmi tulekoldesse. See võib põhjustada vigastusi.
  - Umbes ühe minuti pärast peaksite tundma süütelõhna ja õhu soojenemist tulekoldes. Süüteseadme ots ei helenda punaselt, kuid läheb väga kuumaks ja põletab. Ärge süüteseadet puudutage.
4. Kui olete veendunud, et kõik elektrikomponendid töötavad õigesti, vajutage nuppu **Toide**, et lülitada seade välja.
5. Täitke punker täislooduslike grillipuitpelletitega.
6. Vajutage nuppu **Toide**, et lülitada seade sisse. Hoidke **Temperatuuri reguleerimise pöördnuppu** asendis SUITS. Vajutage ja hoidke nuppu **Eelkäivitus** kuni näete grilli sees tigukonveierist tulnud pelletteid. Kui pelletid hakkavad kukkuma tulekoldesse, vabastage nupp **Eelkäivitus**.
7. Vajutage nuppu **Toide**, et lülitada seade välja.
8. Paigaldage küpsetuskomponendid uuesti põhitrumlisse. Grill on nüüd kasutamiseks valmis. (Vt jaotist **Koostejuhised**, et tagada küpsetuskomponentide õige paigaldus.)

## ESIMENE KASUTUSKORD - GRILLI PUHTAKSPÕLETAMINE

Pärast punkri eelkäivitust ja enne küpsetamist grilliga esimest korda, on oluline puhastada grill põletamisega. Käivitage grill ja käitage seda temperatuuril üle 176 °C / 350 °F (kinnise kaanega) 30–40 minutit, et grill puhastada põletamisega ja vabaneda võõrainetest.

## AUTOMAATNE KÄIVITAMINE

1. Ühendage toitejuhe maandatud toiteallikaga. Avage peatrumli kaas. Kontrollige tulekollet, et veenduda takistuste puudumises õigeks süütamiseks. Avage punkri kaas. Veenduge, et punkris ja tiguetteandesüsteemis pole võõrkehi. Täitke punker lehtpuust täislooduslike grillipelletitega.
2. Veenduge, et **Temperatuuri reguleerimise pöördnupp** on asendis SUITS. Vajutage nuppu **Toide**, et lülitada seade sisse. See aktiveerib käivitustsükli. Tiguetteandesüsteem hakkab pöörlema, süüteseade hakkab hõõguma ja ventilaator tarnib tulekoldesse õhku. Käivitustsükli hakkab grill suitsu tekitama. Käivitustsükli peab trumli kaas olema avatud. Veendumiseks käivitustsükli õiges alguses kuulake põlemismüha ja pange tähele soojusteket.

3. Kui tugev valge suits kaob, on käivitustsüklil lõppenud ja olete valmis nautima grillimist soovitud temperatuuril!

### TOIMINGUD SÜÜTAMISE NURJUMISE KORRAL

**Kui mingil põhjusel elektriline süütamine ei õnnestu või grilli leek kustub küpsetamise ajal, kontrollige järgmist või käivitage grill käsitsi.**

1. Veenduge, et **Temperatuuri reguleerimise pöördnupp** on välja lülitatud ja asendis SUITS. Avage trumli kaas. Eemaldage seest küpsetuskomponendid. Eemaldage tulekoldest kõik põlemata pelletid ja tuhk. Vigastuste vältimiseks vältige süüteseadme puudutamist, kuna see võib olla väga kuum.
2. Kui kõik küpsetuskomponendid on eemaldatud ja puhastatud, vajutage nuppu **Toide**, et lülitada seade sisse. Kontrollige järgmist.
  - Veenduge visuaalselt süüteseadme töös, asetades käe tulekolde kohale ja tunnetades kuumust.
  - Veenduge visuaalselt, et süüteseadme ulatub tulekoldesse umbes 13 mm / 0,5 tolli pikkuselt.
  - Veenduge visuaalselt, et tigukonveier tarnib tulekoldesse pelleteid.
  - Veenduge põletusventilaatori töös, kuulates põlemismüha.
3. Kui mõni ülaltoodud punktidest ei tööta, järgige jaotise **Tõrkeotsing** juhiseid.

### KÄSITSI KÄIVITAMINE

1. Veenduge, et **Temperatuuri reguleerimise pöördnupp** on asendis **SUITS**. Ühendage toitejuhe maandatud toiteallikaga.
2. Kontrollige tulekollet, et veenduda takistuste puudumises õigeks süütamiseks. Avage punkri kaas. Veenduge, et punkris ja tiguetteandesüsteemis pole võõrkehi. Täitke punker kuivade lehtpuust täislooduslike grillpelletitega.
3. Avage trumli kaas. Eemaldage küpsetuskomponendid, et tulekolle oleks avatud. Asetage suur peotäis graanuleid tulekoldesse. Pritsige pelletitele geelsüüteainet või mõnda muud sobivat pelletisüüteainet. Samuti sobib väike kogus tahkekütuse süüteainet, näiteks saepurust, laastudest ja vahast koosnev süüteaine. Lisage tulekoldesse veel väike kogus pelleteid.

**MÄRKUS. Ärge kasutage grillis tule süütamiseks ja õhutamiseks piiritust, bensiini, tulemasinavedelikku ega petrooleumi.**

4. Süüdake tulekolde sisu, kasutades pikka tikku või pika ninaga tulemasinat. Laske tulealustusel põleda 3–5 minutit. Ärge proovige tulekoldesse lisada rohkem tulealustusmaterjali. See võib põhjustada vigastusi.
5. Pange küpsetuskomponendid kiiresti ja ettevaatlikult tagasi peatrumlisse. Jätkake käivitamist **Automaatse käivitamise** etapiga kaks.

### GRILLI VÄLJALÜLITAMINE

1. Pärast küpsetamise lõppu, kui peatrumli kaas on suletud, vajutage nuppu **Toide**, et lülitada seade välja, ja keerake **Temperatuuri reguleerimise pöördnupp** asendisse VÄLJAS.

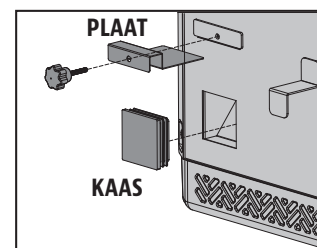
# KORRASHOID JA HOOLDUS

Mis tahes Pit Boss® seade tagab teile paljude aastate jooksul maitsva teenuse minimaalse puhastamisega. Grilli hooldamisel järgige järgmisi puhastus- ja hooldusnõuandeid.

## 1. PUNKRI KOOSTAMINE

- Punkril on puhastusfunktsioon, mis võimaldab lihtsustada puhastamist ja pelletikütuse maitsete muutmist. Tühjendamiseks leidke punkri tagaküljel asuv plaat ja väljalaskekanali kate. Asetage puhas, tühi anum väljalaskekanali kaane alla, seejärel eemaldage kaanetükk. Keerake plaat lahti, libistage väljapoole ja pelletid voolavad välja.

**MÄRKUS. Liigsete pelletite, saepuru ja prahi täielikuks eemaldamiseks punkri sõelalt kasutage pika käepidemega harja või töökoja tolmuimejat.**



- Pelletid on soovitatav tiguetteandesüsteemist eemaldada, kui hoiate oma grilli pikemat aega kasutuseta. Seda saab teha lihtsalt grilli käitamiseks tühja punkriga, kuni kõik pelletid on tigukonveieri torust väljunud.
- Kontrollige ja eemaldage punkri põhjast ventilaatori õhu sisselaskeava praht. Kui punkri pääsupaneel on eemaldatud (vt skeemi jaotises **Elektriskeem**), pühkige hoolikalt ära otse ventilaatori labadele kogunenud rasv. See tagab etteandesüsteemis piisava õhuvoo.

## 2. ANDURID

- Sõlmed ja järsud pained andurjuhtmetes võivad seadet kahjustada. Kasutuseta lihasond tuleks siduda suurde lõtva vihku.
- Ehkki nii temperatuuriandur kui ka lihasondid on roostevabast terasest, ärge pange neid nõudepesumasinasse ega sukeldage vette. Sisejuhtmete veekahjustused tekitavad anduris lühise, mis põhjustab valenäitusid. Kui andur on kahjustatud, tuleks see välja vahetada.

## 3. SISEPINNAD

- Tulekollet on soovitatav puhastada iga mõne kasutuskorra järel. See tagab korraliku süütamise ja hoiab ära kõvenenud prahi või tuha ladestumise tulekoldesse.
- Kasutage pika varrega grillipuhastusharja, eemaldage küpsetusrestidelt kõik toidujäägid või ladestused. Parim tava on seda teha siis, kui nad on eelmisest küpsetamisest veel soojad. Rasvapõlengud on põhjustatud grilli küpsetuskomponentidele kogunenud prahist. Puhastage järjepidevalt oma grilli sisemust. Kui rasv süttib, hoidke grilli kaas tule lämmatamiseks suletuna. Kui tuli ei kustu kiiresti, eemaldage ettevaatlikult toit, lülitage grill välja ja sulgege kaas, kuni tuli on täielikult kustunud. Puistake veidi söögisoodat, kui see on olemas.
- Kontrollige sageli rasvaämbrist ja vajadusel puhastage. Pidage meeles, millist tüüpi küpsetamist toimetate.

**TÄHTIS. Suure kuumuse tõttu ärge katke leegihajutit ega andureid alumiiniumfooliumiga.**

## 4. VÄLISPINNAD

- Pärast iga kasutamist pühkige grill üle. Rasva eemaldamiseks kasutage sooja seebivett. Ärge kasutage grilli välispindadel ahjupuhastusvahendeid, abrasiivseid puhastusvahendeid ega abrasiivseid puhastuslappe. **Kõik värvitud pinnad ei ole garantiiga kaetud**, vaid moodustavad pigem osa üldisest hooldusest ja korrashoiust. Kriimustuste, kulumise või viimistluse koorumise korral võib kõiki värvitud pindu parandada kõrgkuumuselise BBQ-värviga.
- Täieliku kaitse tagamiseks kasutage oma grillil grillikatteid! Kate on parim kaitse ilmastikumõjude ja väliste saasteainete eest. Kui seadet ei kasutata või pikaajalise hoiustamise korral, hoidke seadet garaazis või kuuris katte all.

### PUHASTUSSAGEDUSE TABEL (TAVAKASUTAMINE)

ÜKSUS	PUHASTUSSAGEDUS	PUHASTUSVIIS
Põhigrilli põhi	Iga 5–6 grillimishooaja järel	Eemaldada töökoja tolmuimejaga liigne praht
Tulekolle	Iga 2–3 grillimishooaja järel	Eemaldada töökoja tolmuimejaga liigne praht
Küpsetusrestid	Pärast iga grillimishooaega	Põletada jääkidest puhtaks, messingtraathari
Leegihajuti	Iga 5–6 grillimishooaja järel	Põhiplaati kelguga kraapida, <b>mitte pesta</b>
Eesmine riiul	Pärast iga grillimishooaega	Pesta lapi ja seebiveega
Rasvaämber	Pärast iga grillimishooaega	Pesta lapi ja seebiveega
Teoga etteandesüsteem	Kui puidugraanulite kott on tühi	Lasta tigukonveieril saepuru välja suruda ja jätta punker tühjaks
Punkri elektrikomponendid	Kord aastas	Puhastada sisemus tolmust, pesta seebiveega ventilaatori labad
Õhu sissevõtuava	Iga 5–6 grillimishooaja järel	Eemaldada tolm, pesta lapi ja seebiveega
Temperatuuriandur	Iga 2–3 grillimishooaja järel	Pesta lapi ja seebiveega

# NÄPUNÄITED JA TEHNIKAD

Järgige järgmisi kasulikke näpunäiteid ja tehnikaid, mille on edastanud Pit Boss® omanikud, meie töötajad ja teiega sarnased kliendid, et oma grilli paremini tundma õppida.

## 1. TOIDUOHUTUS

- Hoidke köögis ja toiduvalmistamise piirkonnas kõik puhas. Kasutage küpsetatud liha jaoks taldrükuid ja riistu, mida ei ole kasutatud toore liha ettevalmistamiseks või grillile teisdamiseks. See hoiab ära ristsaastumise bakteritega. Igal marinaadil või hautisekastmel peaksid olema oma valmistusriistad.
- Hoidke sooja toitu kuumana (temperatuuril üle 60 °C / 140 °F) ja külma toitu külmana (temperatuuril alla 3 °C / 37 °F).
- Marinaadi ei tohiks kunagi säilitada hilisemaks kasutamiseks. Kui kavatsete seda liha serveerimiseks kasutada, laske see enne serveerimist kindlasti keema.
- Küpsetatud toitu ei tohiks hoida soojas üle ühe tunni. Ärge hoidke kuuma toitu jahutamata üle kahe tunni.
- Sulatage ja marineerige liha jahutuses. Ärge sulatage liha toatemperatuuril ega laual. Bakterid võivad soojas niiskes toidus kiiresti kasvada ja paljuneda. Enne söögi ettevalmistamist ning pärast toore liha, kala ja linnuliha käsitlemist peske käed hoolikalt sooja seebiveega.

## 2. KÜPSETAMISE ETTEVALMISTAMINE

- Valmistage ette ehk **Mise en Place**. See tähendab toiduretsepti, kütuse, tarvikute, riistade ja kõigi koostisosade ettevalmistamist, mida vajate grilli juures enne küpsetamise algust. Enne grilli süütamist lugege algusest lõpuni läbi ka kogu retsept.
- Väga kasulik on grillimise pörandamatt. Toidukäitlemisõnnetuste ja küpsetuspritsmete korral kaitseks grillimise pörandamatt terrassi, siseõue või kiviplatvormi rasvapekkide ja toiduainete juhusliku mahamineku eest.

## 3. GRILLIMISNIPID JA -TEHNIKAD

- Suitsumaitse lisamiseks lihale küpsetage seda kauem ja madalamal temperatuuril (nimetatakse ka **madal-aeglane**). Lihapoorid sulguvad sisetemperatuuril 49 °C / 120 °F. Niisutamine või määrimine on suurepärased viisid liha kuivamise vältimiseks.
- Pruunistage liha suletud kaanega. Liha küpsetamisel kasutage toidu sisetemperatuuri mõõtmiseks alati lihatermomeetrit. Toitude suitsutamine lehtpuupelletitega muudab liha ja linnuliha roosaks. Roosat riba (pärast küpsetamist) nimetatakse **suitsurõngaks**, mida välikokad hindavad kõrgelt.
- Suhkrupõhiseid kastmeid on kõige parem kasutada küpsetamise lõpus, et vältida põlemist ja leegitsemist.
- Nõuetekohase soojusvoo tagamiseks jätke toidu ja trumli osade vahele vaba ruumi. Toit ülekoormatud grillil vajab rohkem küpsetusaega.
- Liha pööramiseks kasutage pika varrega tangide komplekti ning burgerite ja kalade pööramiseks spaatlit. Liha läbitorkamisel kahvliga voolavad lihamahlad välja.
- Toiduvalmistamine sügavas potis vajab rohkem aega kui madalal küpsetuspannil.
- Toidu hoidmiseks soojana on soovitatav panna küpsetatud toit soojendatud taldrükule. Punasele lihale, näiteks steigile ja veisepraele, tuleb kasuks lasta sellel enne serveerimist mõned minutid seista. See võimaldab kuumusega pinnale jõudnud mahladel liikuda tagasi liha keskele, mis parandab veelgi liha maitset.

# TÕRKEOTSING

Puhta, kuiva ning kvaliteetse kütuse kasutamine ja korralik puhastamine ning hooldamine hoiab ära tavalised käitamisprobleemid. Kui Pit Boss® grill töötab halvasti või kasutate seda harva, võib kasu olla järgmistest tõrkeotsingu võtetest.

KKK-d leiate aadressilt [www.pitboss-grills.com](http://www.pitboss-grills.com). Võite pöörduda ka kohaliku Pit Boss® volitatud edasimüüja poole või võtke abi saamiseks ühendust klienditeenindusega.

**HOIATUS. Enne grilli avamist ülevaatuseks, grilli puhastamist, korrastamist ja hooldust lahutage alati elektritoitejuhe. Vigastuste vältimiseks veenduge, et grill on täiesti jahtunud.**

PROBLEEM	PÕHJUS	LAHENDUS
Juhtpaneelil ei põle märgutuled	Temperatuuri reguleerimise pöördnupp on väljalülitatud asendis.	Vajutage toitenuppu ja veenduge, et nupp helendaks siniselt – see näitab, et elektriühendus on olemas. Keerake temperatuuri reguleerimise pöördnupp temperatuurisättele.
	Puudub ühendus toiteallikaga	Veenduge, et seade oleks ühendatud töötava vooluallikaga. Lähtestage kaitselüliti. Veenduge, et rikkevoolukaitse töövool oleks vähemalt 10 A (vt elektrikomponente jaotises <b>Elektriskeem</b> ). Veenduge, et kõik elektriühendused oleksid kindlalt ühendatud ja kuivad.
	Juhtpaneeli sulavkaitse on läbi põlenud	Eemaldage punkri juurdepääsupaneel (vt skeemi jaotisest <b>Elektriskeem</b> ), vajutage juhtpaneeli paigal hoidvaid plastsakke ja kontrolleri vabastamiseks tõmmake kontrolleri ettevaatlikult punkri sisse. Kontrollige kaitset, kas traat pole katki või kas traat on värvunud mustaks. Kui on, tuleb kaitse käsitsi välja vahetada.
	Pesa rikkevoolukaitse on vallandunud.	Eemaldage punkri pääsupaneel (vt skeemi jaotises <b>Elektriskeem</b> ) ja veenduge, et kõik elektriühendused oleksid kindlalt ühendatud ja kuivad. Veenduge, et rikkevoolukaitse töövool oleks vähemalt 10 A.
	Vigane juhtpaneel	Juhtpaneel tuleb asendada. Varuosa saamiseks pöörduge klienditeeninduse poole.
Tulekoldes tuli ei sütti	Tigukonveierit pole eelkäivitatud	Enne seadme esmakordset kasutamist ja iga kord, kui punker on täiesti tühjenenud, tuleb tigukonveier eelkäivitada, et puidugraanulid saaksid tigukonveieri toru ära täita. Kui seda pole eelkäivitatud, siis enne puidugraanulite süütamist süüteseade ootab puidugraanulite saabumist tulekoldesse. Järgige jaotist <b>Punkri eelkäivitus</b> .
	Tigukonveieri mootor on kinni jäänud	Eemaldage põhitrumlis küpsetuskomponendid. Seadme sisselülitamiseks vajutage toitenuppu, keerake temperatuuri reguleerimise pöördnupp asendisse SUITS ja kontrollige teoga etteandesüsteemi. Veenduge visuaalselt, et tigukonveier tarnib tulekoldesse puidugraanuleid. Kui see ei tööta korralikult, helistage abi või varuosa saamiseks klienditeenindusse.
	Süüteseade ei tööta	Eemaldage põhitrumlis küpsetuskomponendid. Seadme sisselülitamiseks vajutage toitenuppu, keerake temperatuuri reguleerimise pöördnupp asendisse SUITS ja kontrollige süüteseadet. Veenduge visuaalselt süüteseadme töös, asetades käe tulekolde kohale ja tunnetades kuumust. Veenduge visuaalselt, et süüteseade ulatuks tulekoldesse umbes 13 mm / 0,5 tolli pikkuselt. Kui see ei tööta korralikult, järgige jaotist <b>Käsitsi käivitamine</b> , et jätkata grilli kasutamist. Abi või varuosa saamiseks võiksite sellegipoolest klienditeenindusse helistada.
LCD-ekraanil vilguvad punktid	Süüteseade on sisse lülitatud	See ei ole viga, mis grilli mõjutaks. Kasutatakse näitamaks, et seadme toide on sees ja see on käivitusrežiimis (süüteseade on sisse lülitatud). Süüteseade lülitub viie minuti pärast välja. Kui vilkuvad täpid kaovad, hakkab grill end reguleerima soovitud temperatuurile.
Vilkuv temperatuur LCD-ekraanil	Grilli temperatuur on alla 65 °C / 150 °F	See ei ole viga, mis seadet mõjutaks. Küll aga kasutatakse seda selleks, et näidata tule kustumise ohtu. Kontrollige, kas punkris on piisavalt kütust või kas etteandesüsteemis on takistus. Eemaldage puidugraanulid ja järgige jaotise <b>Korrashoid ja hooldus</b> juhiseid. Kontrollige grilli temperatuurianturit ja kui see on must, järgige jaotise <b>Korrashoid ja hooldus</b> juhiseid. Kontrollige, kas tulekoldesse on kogunenud tuhka või takistus, ja kogunenud tuha korral järgige jaotise <b>Korrashoid ja hooldus</b> juhiseid. Kontrollige ventilaatorit. Veenduge, et see töötaks korralikult ja õhu sisselaskeava poleks blokeeritud. Kogunenud mustuse korral järgige jaotise <b>Korrashoid ja hooldus</b> juhiseid. Kontrollige tigukonveieri mootorit, et veenduda mootori töös (pöörlemises), ja vaadake, et tigukonveier ei oleks ummistunud.

Veakood „ErH”	Seade on ülekuumenenud, tõenäoliselt rasva põlemise või liigse kütuse tõttu.	Vajutage seadme väljalülitamiseks toitenuppu ja laske grillil maha jahtuda. Järgige jaotise <b>Korrashoid ja hooldus</b> juhiseid. Pärast hooldust eemaldage puidugraanulid ja veenduge kõigi komponentide õiges asukohas. Kui seade on maha jahtunud, vajutage seadme sisselülitamiseks toitenuppu ja valige soovitud temperatuur. Kui ikka kuvatakse veakood, võtke ühendust klienditeenindusega.
Veakood „Er1”	Puudub ühendus temperatuurianduriga.	Eemaldage punkri juurdepääsupaneel (vt skeemi jaotisest <b>Elektriskeem</b> ) ja kontrollige, kas temperatuurianduri juhtmetel on kahjustusi. Veenduge, et temperatuurianduri Molexi pistikud oleksid juhtpaneeliga korralikult ja õigesti ühendatud.
Veakood „ErP”	Pärast viimast toitega ühendamist ei lülitatud seadet korralikult välja. Elektrikatkestus seadme töötamise ajal.	Turvafunktsioon takistab automaatset taaskäivitust. Seadme väljalülitamiseks vajutage toitenuppu, oodake kaks minutit ja seejärel vajutage seadme sisselülitamiseks uuesti toitenuppu. Keerake temperatuuri reguleerimise pöördnupp asendisse SUITS või soovitud temperatuurile. Kui ikka kuvatakse veakood, võtke ühendust klienditeenindusega.
Veakood „noP”	Halb ühendus ühenduspordis Lihasond on kahjustatud Vigane juhtpaneel	Eemaldage lihasond juhtpaneeli ühenduspordist ja ühendage see uuesti. Veenduge, et lihasondi adapter oleks kindlalt ühendatud. Kontrollige adapteri otsa kahjustusi. Kui viga ikka ei kao, pöörduge varuosa saamiseks klienditeenindusse. Kontrollige, kas lihasondi juhtmed on kahjustunud. Kui leiate kahjustuse, pöörduge varuosa saamiseks klienditeenindusse. Juhtpaneel tuleb asendada. Varuosa saamiseks pöörduge klienditeeninduse poole.
Grilli temperatuur režiimis SUITS on liiga kõrge	”P”-seade on liiga MADAL	Vajutage nuppu ”P”-SEADE ja suurendage ”P”-seadet.
Grill ei saavuta või ei säilita stabiilset temperatuuri	Ebapiisav õhuvool tulekoldes Kütuse puudumine, halb kütusekvaliteet, takistus etteandesüsteemis Temperatuuriandur	Kontrollige, kas tulekoldesse on kogunenud tuhka või takistusi. Kogunenud tuha korral järgige jaotise <b>Korrashoid ja hooldus</b> juhiseid. Kontrollige ventilaatorit. Veenduge, et see töötaks korralikult ja õhu sisselaskeava poleks blokeeritud. Kogunenud mustuse korral järgige jaotise <b>Korrashoid ja hooldus</b> juhiseid. Kontrollige tigukonveieri mootorit, et veenduda mootori töös, ja veenduge, et tigukonveieri toru ei oleks ummistunud. Pärast kõiki ülaltoodud toiminguid käivitage grill, seadke temperatuur režiimi SUITS ja oodake 10 minutit. Veenduge, et tekkinud leek oleks hele ja särav. Kontrollige, kas punkris on piisavalt kütust, ja vajaduse korral lisage juurde. Kui puidugraanulite kvaliteet on halb või kui puidugraanulid on liiga pikad, võib see põhjustada takistuse etteandesüsteemis. Eemaldage puidugraanulid ja järgige jaotise <b>Korrashoid ja hooldus</b> juhiseid. Kontrollige temperatuurianduri olekut. Kogunenud mustuse korral järgige jaotise <b>Korrashoid ja hooldus</b> juhiseid. Kahjustuse korral pöörduge varuosa saamiseks klienditeenindusse.
Grill tekitab ülemäärast või muutunud värvi suitsu	Rasva ladestumine Puidugraanulite kvaliteet Tulekolle on blokeeritud Ebapiisav ventilaatori varustamine õhuga	Järgige jaotise <b>Korrashoid ja hooldus</b> juhiseid. Eemaldage punkrist niisked puidugraanulid. Puhastamiseks järgige jaotise <b>Korrashoid ja hooldus</b> juhiseid. Asendage need kuivade puidugraanulitega. <i>Puhastage tulekolle niisketest puidugraanulitest. Järgige jaotist <b>Punkri eelkäivitus</b>.</i> Kontrollige ventilaatorit. Veenduge, et see töötaks korralikult ja õhu sisselaskeava poleks blokeeritud. Kogunenud mustuse korral järgige jaotise <b>Korrashoid ja hooldus</b> juhiseid.
Sagedased leegitsused	Küpsetustemperatuur Rasva ladestumine küpsetuskomponentidele	Proovige küpsetada madalamal temperatuuril. Rasval ei ole leekpunkti. Rasvast toitu küpsetades hoidke temperatuuri madalamal kui 176 °C / 350 °F. Järgige jaotise <b>Korrashoid ja hooldus</b> juhiseid.



# ELEKTRISKEEM

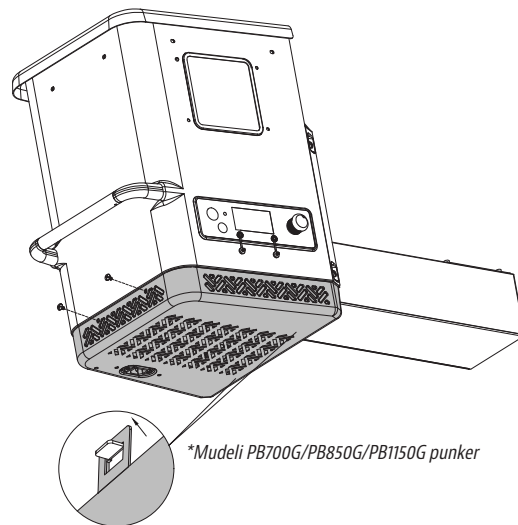
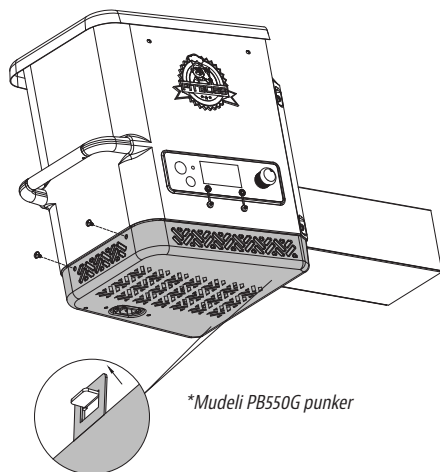
Digitaalne juhtpaneelisüsteem on keeruline ja väärtuslik tehnika. Kaitseks ülepinge ja lühiste eest vaadake allolevat elektriskeemi, et veenduda toiteallika piisavuses seadme tööks.

**PB – ELEKTRINÕUDED**  
220-240 V, 50 Hz, 250 W, MAANDATUD PISTIK

MÄRKUS. Elektrikomponendid, mis on läbinud tooteohutuse katsetuse ja sertifitseerimise, vastavad katsetaluvusele ± 5-10 protsenti.

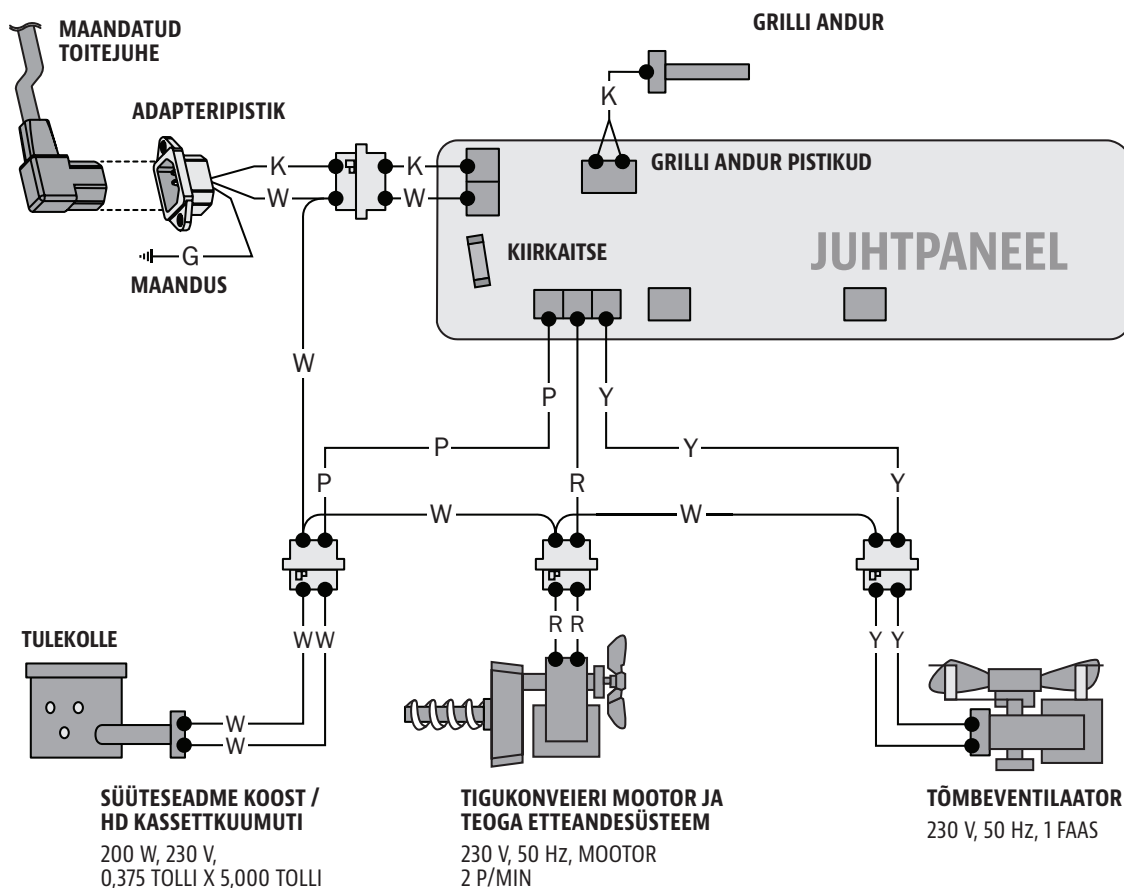
LEIDKE JA EEMALDAGE PUNKRI KÜLJELT PÄÄSUPANEELI KAKS KRUVI.

LASKE PUNKRI PANEELI ALUMINE OSA ALLA JA LIBISTAGE SAKIST VABASTAMISEKS TAGASI.



**KÜTUSE NIMI-TARVE:**  
2 KG/H  
(4,4 NAELA/H)

**REGISTER**  
W : VALGE  
Y : KOLLANE  
P : VIOLETNE  
R : PUNANE  
K : MUST  
G : ROHELINE



EE

EESTI KEEL

# GRILLI PB550G VARUOSAD

Osa nr	Kirjeldus
1-A	Kaanetugi (1 tk)
2-A	Kaane käepide (1 tk)
3-A	Kaane käepideme võru (2 tk)
4-A	Peatrummel (1 tk)
5-A	Punkrikoost (1 tk)
6-A	Leegihajuti kohendamisvarras (1 tk)
7-A	Leegihajuti kohendamisvarda käepide (1 tk)
8-A	Leegihajuti kelk (1 tk)
9-A	Leegihajuti põhiplaat (1 tk)
10-A	Vasak esijalg (1 tk)
11-A	Vasak tagajalg (1 tk)
12-A	Parem esijalg (1 tk)
13-A	Parem tagajalg (1 tk)
14-A	Vasaku esijala kinnitustükk (1 tk)
15-A	Vasaku tagajala kinnitustükk (1 tk)
16-A	Ratas (2 tk)
17-A	Parem alumine tugiplaat (1 tk)
18-A	Vasak alumine tugiplaat (1 tk)
19-A	Lühike tugiplaat (2 tk)

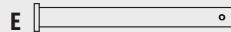
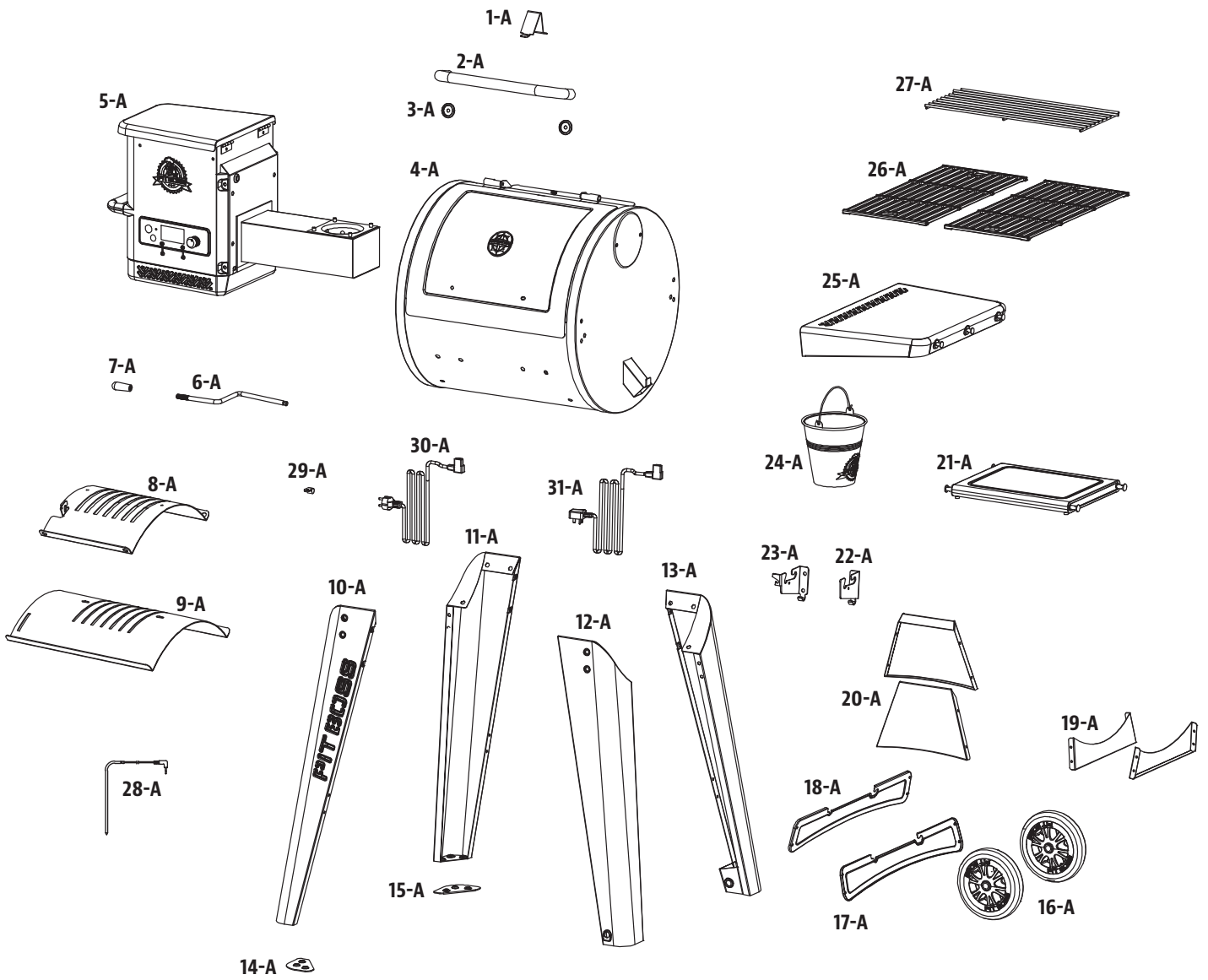
Osa nr	Kirjeldus
20-A	Eesmine/tagumine pikk tugiplaat (2 tk)
21-A	Eesmine riiul (1 tk)
22-A	Eesmise riiuli parempoolne klamber (1 tk)
23-A	Eesmise riiuli vasakpoolne klamber (1 tk)
24-A	Rasvaämber (1 tk)
25-A	Parempoolne küljelaud (1 tk)
26-A	Küpsetusrest (2 tk)
27-A	Sooendusrest (1 tk)
28-A	Lihasond (1 tk)
29-A	Toitekaabli klamber (1 tk)
30-A	Toitekaabel – F-pistik (1 tk)
31-A	Toitekaabel – G-pistik (1 tk)
A	Kruvi (18 tk)
B	Seib (18 tk)
C	Lukustusseib (18 tk)
D	Kruvi (30 tk)
E	Rattatelje tihvt (2 tk)
F	Ratta splint (2 tk)
G	Ratta seib (2 tk)

MÄRKUS. Pideva tootearenduse tõttu võivad osad ilma ette teatamata muutuda.

Joonis on järgmisel lehel.

MUDEL	KOOSTATUD SEADE (LxKxS)	SEADME KAAL	KÜPSETUSALA	TEMPERATU-URIVAHEMIK	NUMBRILISED FUNKTSIOONID
PB PB550G	1227mm x 1195mm x 868mm / 48,3" x 47" x 34,17"	55,7 kg / 122,8 naela	Põhiala - 2580,6 cm <sup>2</sup> / 400 ruuttolli Ülemine raam - 920 cm <sup>2</sup> / 142,6 ruuttolli <b>KOKKU - 3500,6 cm<sup>2</sup> / 542,6 ruuttolli</b>	82-260°C / 180-500°F	Kümme eelseatud temperatuuri, käivitus- ja jahutussüklid, elektrisüüteseade

# GRILLI PB550G VARUOSAD



# GRILLI PB700G VARUOSAD

Osa nr	Kirjeldus
1-A	Kaanetugi (1 tk)
2-A	Kaane käepide (1 tk)
3-A	Kaane käepideme võru (2 tk)
4-A	Peatrummel (1 tk)
5-A	Punkrikoost (1 tk)
6-A	Leegihajuti kohendamisvarras (1 tk)
7-A	Leegihajuti kohendamisvarda käepide (1 tk)
8-A	Leegihajuti kelk (1 tk)
9-A	Leegihajuti põhiplaat (1 tk)
10-A	Vasak esijalg (1 tk)
11-A	Vasak tagajalg (1 tk)
12-A	Parem esijalg (1 tk)
13-A	Parem tagajalg (1 tk)
14-A	Vasaku esijala kinnitustükk (1 tk)
15-A	Vasaku tagajala kinnitustükk (1 tk)
16-A	Ratas (2 tk)
17-A	Parem alumine tugiplaat (1 tk)
18-A	Vasak alumine tugiplaat (1 tk)
19-A	Lühike tugiplaat (2 tk)
20-A	Eesmine pikk tugiplaat (1 tk)

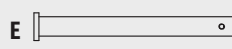
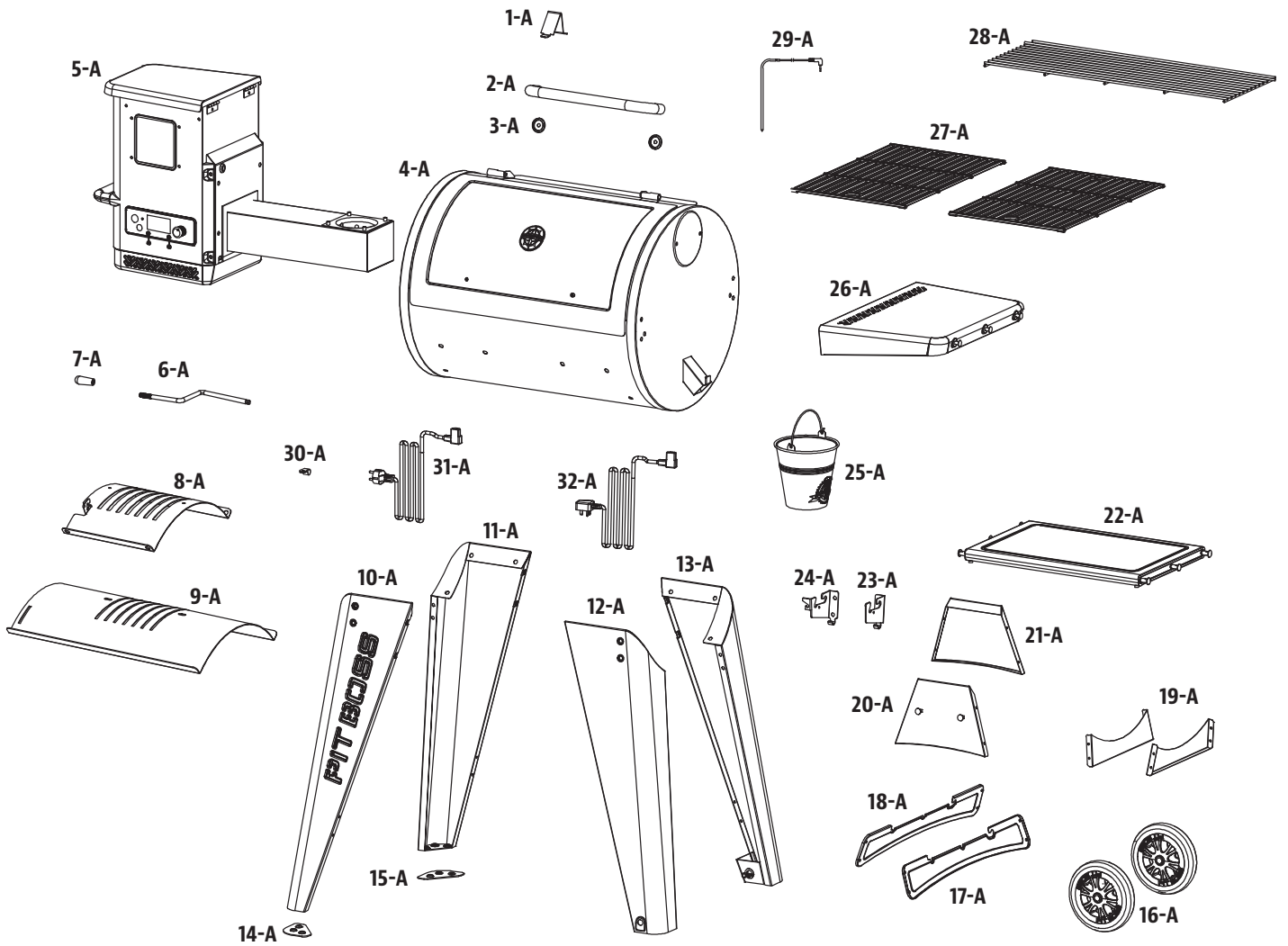
Osa nr	Kirjeldus
21-A	Tagumine pikk tugiplaat (1 tk)
22-A	Eesmine riul (1 tk)
23-A	Eesmise riuli parempoolne klamber (1 tk)
24-A	Eesmise riuli vasakpoolne klamber (1 tk)
25-A	Rasvaämber (1 tk)
26-A	Parempoolne küljelaud (1 tk)
27-A	Küpsetusrest (2 tk)
28-A	Soojendusrest (1 tk)
29-A	Lihasond (1 tk)
30-A	Toitekaabli klamber (1 tk)
31-A	Toitekaabel – F-pistik (1 tk)
32-A	Toitekaabel – G-pistik (1 tk)
A	Kruvi (18 tk)
B	Seib (18 tk)
C	Lukustusseib (18 tk)
D	Kruvi (30 tk)
E	Rattatelje tihvt (2 tk)
F	Ratta splint (2 tk)
G	Ratta seib (2 tk)

MÄRKUS. Pideva tootearenduse tõttu võivad osad ilma ette teatamata muutuda.

Joonis on järgmisel lehel.

MUDEL	KOOSTATUD SEADE (LxKxS)	SEADME KAAL	KÜPSETUSALA	TEMPERATUURIVAHEMIK	NUMBRILISED FUNKTSIOONID
PB PB700G	1388mm x 1195mm x 940mm / 54,6" x 47" x 37"	66,5 kg / 146,61 naela	Põhiala - 3109 cm <sup>2</sup> / 482 ruuttolli Ülemine raam- 1341 cm <sup>2</sup> / 208 ruuttolli <b>KOKKU - 4450 cm<sup>2</sup> / 690 ruuttolli</b>	82-260°C / 180-500°F	Kümme eelseatud temperatuuri, käivitus- ja jahutustsüklid, elektrisüüteseade

# GRILLI PB700G VARUOSAD



# GRILLI PB850G VARUOSAD

Osa nr	Kirjeldus
1-A	Kaanetugi (1 tk)
2-A	Kaane käepide (1 tk)
3-A	Kaane käepideme võru (2 tk)
4-A	Peatrummel (1 tk)
5-A	Punkrikoost (1 tk)
6-A	Leegihajuti kohendamisvarras (1 tk)
7-A	Leegihajuti kohendamisvarda käepide (1 tk)
8-A	Leegihajuti kelk (1 tk)
9-A	Leegihajuti põhiplaat (1 tk)
10-A	Vasak esijalg (1 tk)
11-A	Vasak tagajalg (1 tk)
12-A	Parem esijalg (1 tk)
13-A	Parem tagajalg (1 tk)
14-A	Vasaku esijala kinnitustükk (1 tk)
15-A	Vasaku tagajala kinnitustükk (1 tk)
16-A	Piduriga pöödrullik (2 tk)
17-A	Ratas (2 tk)
18-A	Parem alumine tugiplaat (1 tk)
19-A	Vasak alumine tugiplaat (1 tk)
20-A	Lühike tugiplaat (2 tk)
21-A	Eesmine pikk tugiplaat (1 tk)

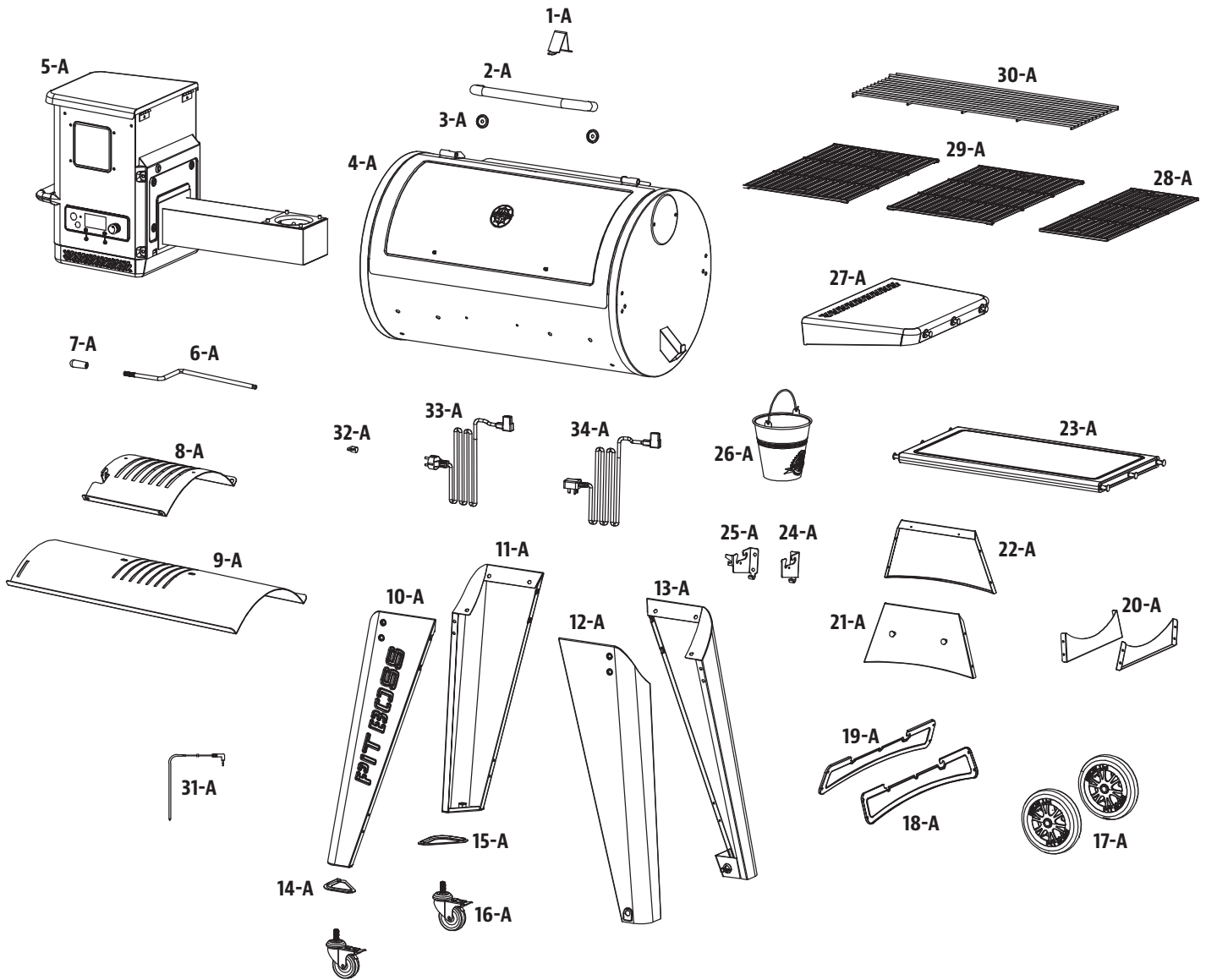
Osa nr	Kirjeldus
22-A	Tagumine pikk tugiplaat (1 tk)
23-A	Eesmine riul (1 tk)
24-A	Eesmise riuli parempoolne klamber (1 tk)
25-A	Eesmise riuli vasakpoolne klamber (1 tk)
26-A	Rasvaämber (1 tk)
27-A	Parempoolne küljelaud (1 tk)
28-A	Küpsetusrest A (1 tk)
29-A	Küpsetusrest B (2 tk)
30-A	Sooendusrest (1 tk)
31-A	Lihasond (1 tk)
32-A	Toitekaabli klamber (1 tk)
33-A	Toitekaabel – F-pistik (1 tk)
34-A	Toitekaabel – G-pistik (1 tk)
A	Kruvi (18 tk)
B	Seib (18 tk)
C	Lukustusseib (18 tk)
D	Kruvi (30 tk)
E	Kruvi (4 tk)
F	Rattatelje tihvt (2 tk)
G	Ratta splint (2 tk)
H	Ratta seib (2 tk)

MÄRKUS. Pideva tootearenduse tõttu võivad osad ilma ette teatamata muutuda.

Joonis on järgmisel lehel.

MUDEL	KOOSTATUD SEADE (LxKxS)	SEADME KAAL	KÜPSETUSALA	TEMPERATU-URIVAHEMIK	NUMBRILISED FUNKTSIOONID
PB PB850G	1472mm x 1195mm x 940mm / 57,9" x 47" x 37"	74,5kg / 164,24 naela	Põhiala - 3825,8 cm <sup>2</sup> / 593 ruuttolli Ülemine raam- 1845,2 cm <sup>2</sup> / 286 ruuttolli <b>KOKKU - 5671 cm<sup>2</sup> / 879 ruuttolli</b>	82-260°C / 180-500°F	Kümme eelseatud temperatuuri, käivitus- ja jahutussüklid, elektrisüüteseade

# GRILLI PB850G VARUOSAD



# GRILLI PB1150G VARUOSAD

Osa nr	Kirjeldus
1-A	Kaanetugi (1 tk)
2-A	Kaane käepide (1 tk)
3-A	Kaane käepideme võru (2 tk)
4-A	Peatrummel (1 tk)
5-A	Punkrikoost (1 tk)
6-A	Leegihajuti kohendamisvarras (1 tk)
7-A	Leegihajuti kohendamisvarda käepide (1 tk)
8-A	Leegihajuti kelk (1 tk)
9-A	Leegihajuti põhiplaat (1 tk)
10-A	Vasak esijalg (1 tk)
11-A	Vasak tagajalg (1 tk)
12-A	Parem esijalg (1 tk)
13-A	Parem tagajalg (1 tk)
14-A	Vasaku esijala kinnitustükk (1 tk)
15-A	Vasaku tagajala kinnitustükk (1 tk)
16-A	Piduriga pöödrullik (2 tk)
17-A	Ratas (2 tk)
18-A	Parem alumine tugiplaat (1 tk)
19-A	Vasak alumine tugiplaat (1 tk)
20-A	Lühike tugiplaat (2 tk)
21-A	Eesmine pikk tugiplaat (1 tk)
22-A	Tagumine pikk tugiplaat (1 tk)

Osa nr	Kirjeldus
23-A	Eesmine riiul (1 tk)
24-A	Hajutiplaat (1 tk)
25-A	Eesmise riiuli parempoolne klamber (1 tk)
26-A	Eesmise riiuli vasakpoolne klamber (1 tk)
27-A	Rasvaämber (1 tk)
28-A	Parempoolne küljelaud (1 tk)
29-A	Küpsetusrest A (1 tk)
30-A	Küpsetusrest B (2 tk)
31-A	Sooendusrest (1 tk)
32-A	Lihasond (2 tk)
33-A	Toitekaabli klamber (1 tk)
34-A	Toitekaabel – F-pistik (1 tk)
35-A	Toitekaabel – G-pistik (1 tk)
A	Kruvi (18 tk)
B	Seib (18 tk)
C	Lukustusseib (18 tk)
D	Kruvi (30 tk)
E	Kruvi (6 tk)
F	Rattatelje tihvt (2 tk)
G	Ratta splint (2 tk)
H	Ratta seib (2 tk)

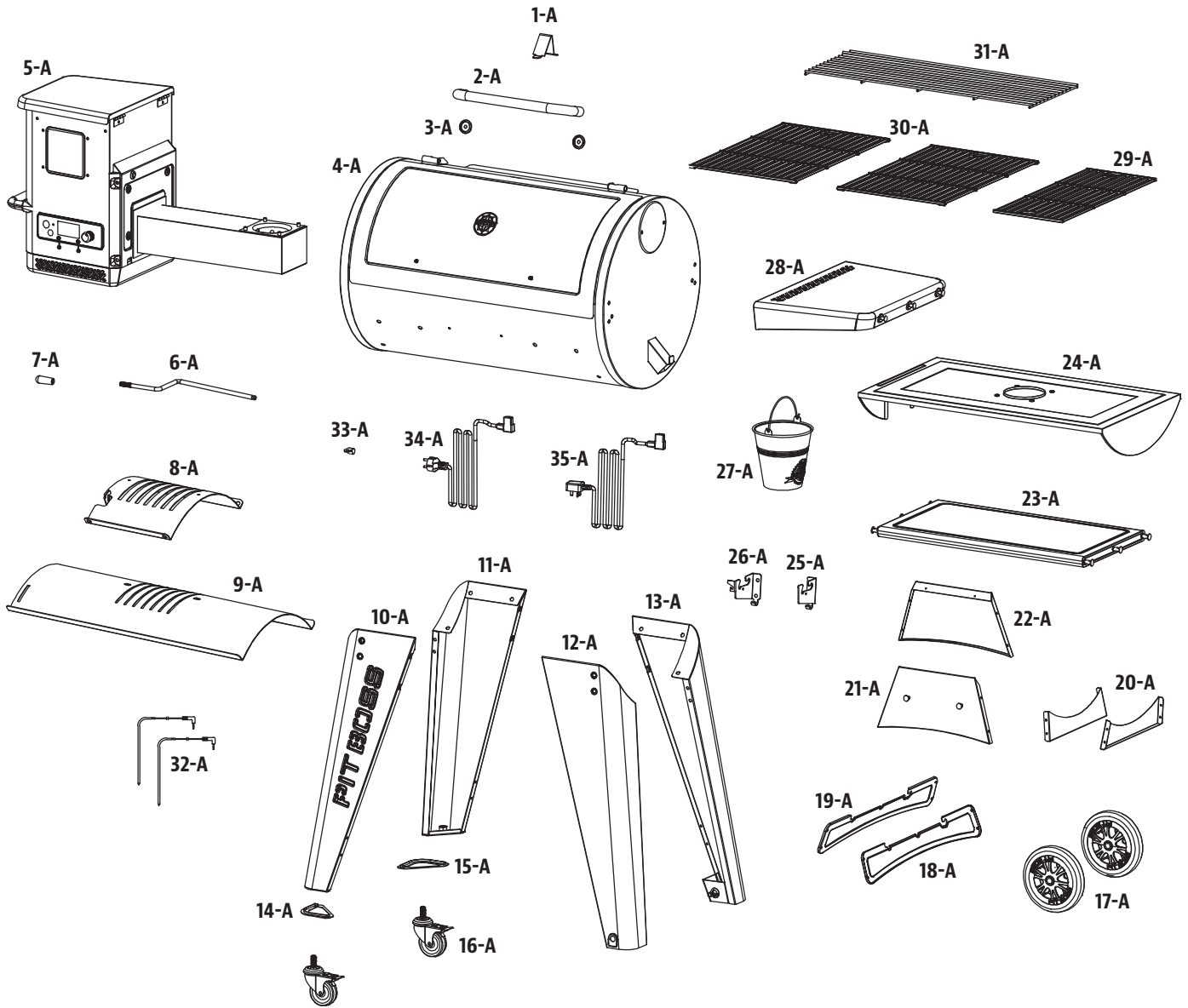
MÄRKUS. Pideva tootearenduse tõttu võivad osad ilma ette teatamata muutuda.

Joonis on järgmisel lehel.

MUDEL	KOOSTATUD SEADE (LxKxS)	SEADME KAAL	KÜPSETUSALA	TEMPERATUURIVAHEMIK	NUMBRILISED FUNKTSIOONID
PB PB1150G	1622mm x 1195mm x 940mm / 63,86" x 47" x 37"	84 kg / 185,19 naela	Põhiala - 4587, cm <sup>2</sup> / 711 ruuttolli Ülemine raam - 2883,9 cm <sup>2</sup> / 447 ruuttolli <b>KOKKU - 7471 cm<sup>2</sup> / 1158 ruuttolli</b>	82-260°C / 180-500°F	Kümme eelseatud temperatuuri, käivitus- ja jahutustsüklid, elektrisüüteseade



# GRILLI PB1150G VARUOSAD

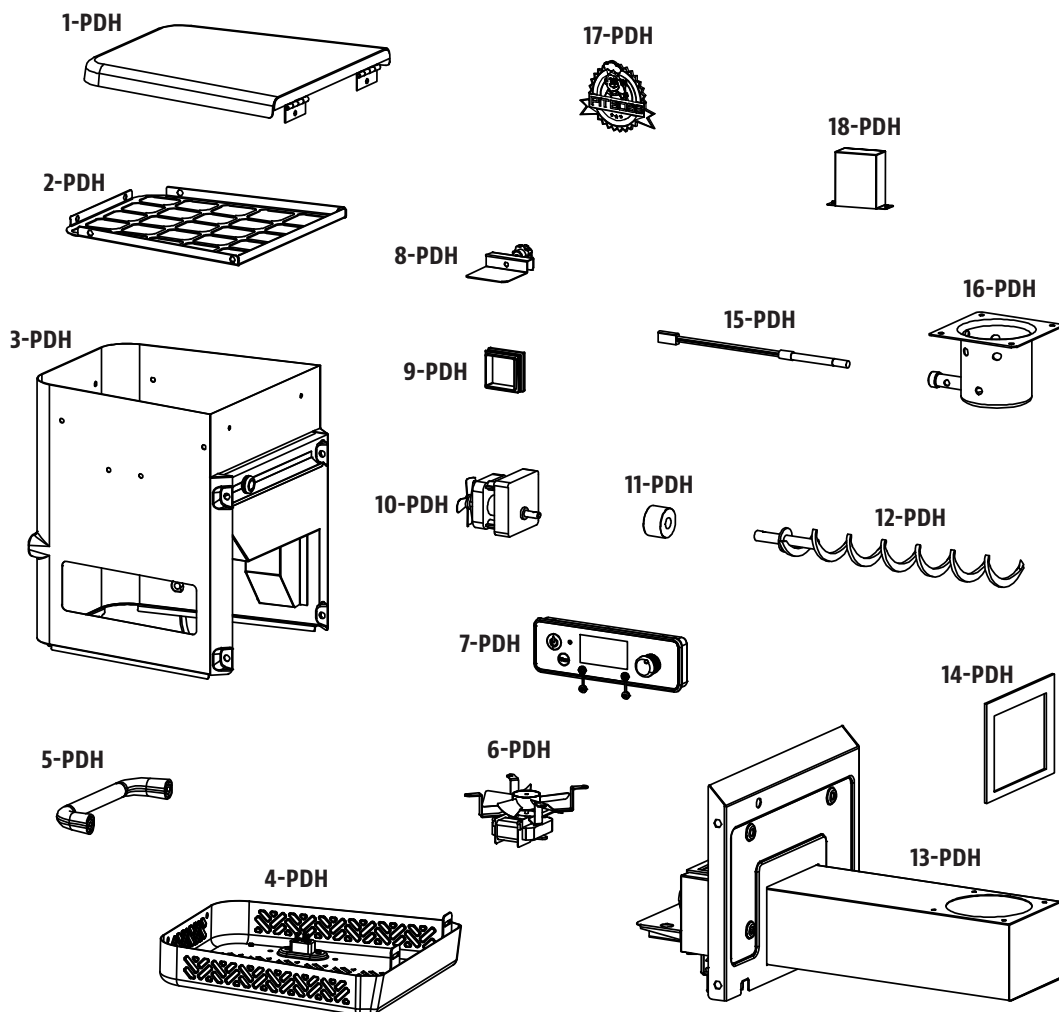


# PUNKRI PB550G VARUOSAD

Osa nr	Kirjeldus
1-PDH	Punkri kaas (1 tk)
2-PDH	Punkri turvavõre (1 tk)
3-PDH	Punkrikasti korpus (1 tk)
4-PDH	Punkri pääsupaneel (1 tk)
5-PDH	Punkri käepide (1 tk)
6-PDH	Põlemisventilaator (1 tk)
7-PDH	Pit Boss® juhtpaneel (1 tk)
8-PDH	Väljalaskekanali plaat (1 tk)
9-PDH	Väljalaskekanali kaas (1 tk)

Osa nr	Kirjeldus
10-PDH	Tigukonveieri mootor (1 tk)
11-PDH	Nailonpuks (1 tk)
12-PDH	Tigukonveieri koost (1 tk)
13-PDH	Tigukonveieri kasti korpus (1 tk)
14-PDH	Punkrikorpuse tihend (1 tk)
15-PDH	Süüteseade (1 tk)
16-PDH	Tulekolle (1 tk)
17-PDH	Nimeplaat (1 tk)
18-PDH	Toitekaabli veekindel kate (1 tk)

MÄRKUS. Pideva tootearenduse tõttu võivad osad ilma ette teatamata muutuda.

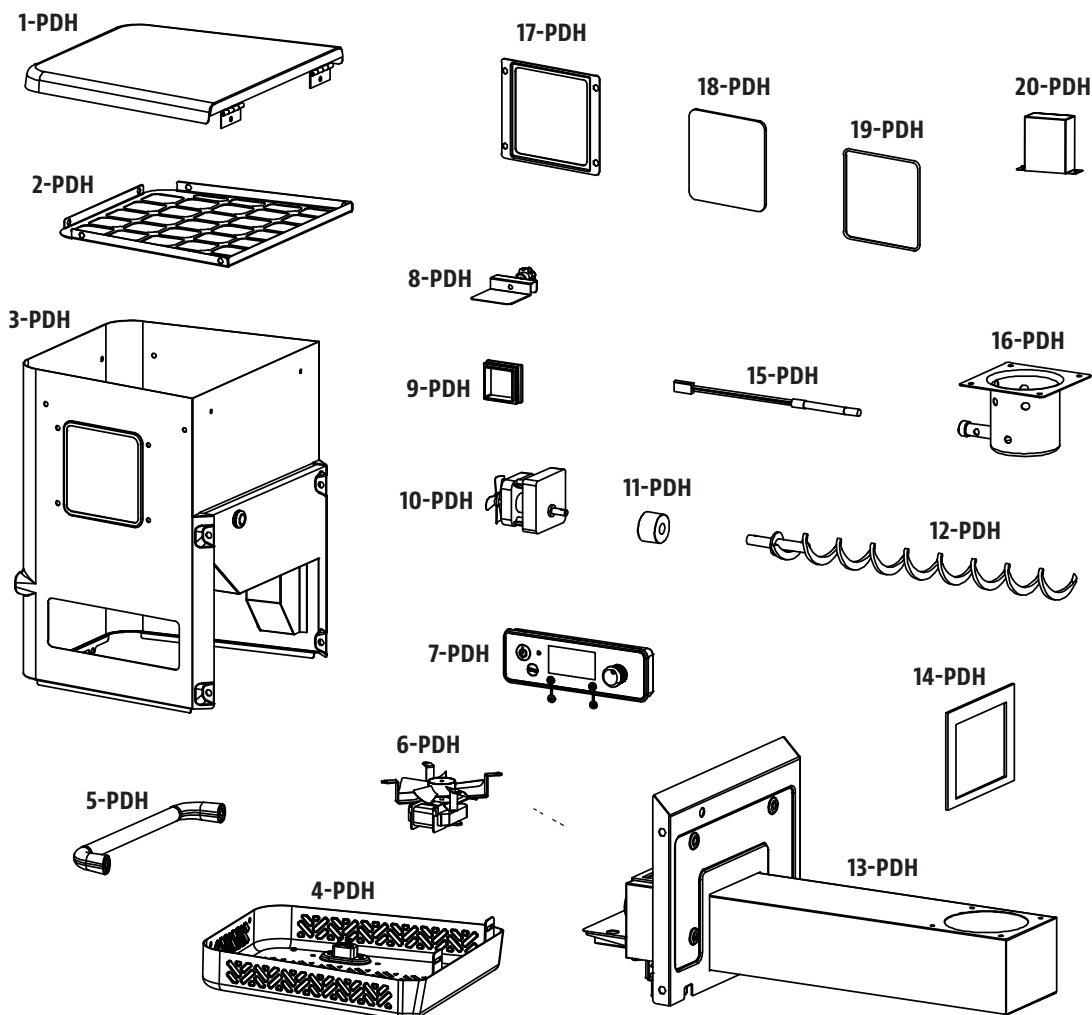


# PUNKRI PB700G / PB850G / PB1150G VARUOSAD

Osa nr	Kirjeldus
1-PDH	Punkri kaas (1 tk)
2-PDH	Punkri turvavõre (1 tk)
3-PDH	Punkrikasti korpus (1 tk)
4-PDH	Punkri pääsupaneel (1 tk)
5-PDH	Punkri käepide (1 tk)
6-PDH	Põlemisventilaator (1 tk)
7-PDH	Pit Boss® juhtpaneel (1 tk)
8-PDH	Väljalaskekanali plaat (1 tk)
9-PDH	Väljalaskekanali kaas (1 tk)
10-PDH	Tigukonveieri mootor (1 tk)

Osa nr	Kirjeldus
11-PDH	Nailonpuks (1 tk)
12-PDH	Tigukonveieri koost (1 tk)
13-PDH	Tigukonveieri kasti korpus (1 tk)
14-PDH	Punkrikorpuse tihend (1 tk)
15-PDH	Süüteseade (1 tk)
16-PDH	Tulekolle (1 tk)
17-PDH	Klaasplaat (1 tk)
18-PDH	Klaas (1 tk)
19-PDH	Kummitihend (1 tk)
20-PDH	Toitekaabli veekindel kate (1 tk)

MÄRKUS. Pideva tootearenduse tõttu võivad osad ilma ette teatamata muutuda.



# GARANTII

## TINGIMUSED

Kõigil Dansons Inc.-i toodetud Pit Boss® puitpelletigrillidel on piiratud garantii alates nende algse omaniku poolt müümise kuupäevast. Garantii kehtivus algab ostmise kuupäevast ning garantii kinnitamiseks on vaja ostukuupäeva tõendit või ostukviitungi originaaleksemplari. Kui klient ei suuda tõendada ostukuupäeva või kui garantii on lõppenud, peab klient tasuma varuosade eest ja katma saate- ja käitlemiskulud.

Dansons annab kõigi osade defektidele, elektrikomponentidele ja tootmisvigadele viieaastase garantii. Dansons annab garantii kõigi osade materjalidefektidele ja tootmispuudustele kogu ajaks, kui seade on originaalostja kasutuses ja omanduses. Garantii ei kata kulumiskahjustusi, näiteks kriimustusi, mülke, killunemisi, koorumisi või väiksemaid kosmeetilisi pragusid. Need muudatused grilli väljanägemises ei mõjuta selle toimimist. Garantii mis tahes osa remondile või asendamisele ei ulatu üle piiratud viieaastase garantiiaja alates ostukuupäevast.

Garantii kehtivusajajooksul piirdub Dansonsi kohustus defektsete ja/või kahjustatud komponentide asendamisega. Garantii perioodi kestel ei võta Dansons tasu ette makstud saatekuludega tagastatud osade remondi või asendamise eest, kui Dansons leiab, et osad (osad) on kontrollimisel defektised. Dansons ei vastuta transporditasude, tööjõukulude ega eksporditollimaksude eest. Kui nendes garantiitingimustes ei ole sätestatud teisiti, tähendab osade parandamine või asendamine eelnevas nimetatud viisil ja ajavahemikul Dansonsi kõigi otseste ja tulenevate vastutuste ja kohustuste täitmist teie ees.

Dansons võtab tarvitusele kõik meetmed roostetamist aeglustavate materjalide kasutamiseks. Isegi nende kaitsemeetmete rakendamise korral võivad kaitsekatted olla ohustatud mitmesugustest ainetest ja tingimustest, mida Dansons ei kontrolli. Kõrge temperatuur, liigne õhuniiskus, kloor, tööstuslikud aurud, väetised, murupestitsiidid ja sool on mõned ainetest, mis võivad metallkatteid mõjutada. Neil põhjustel ei kata garantii roostetamist ega oksüdeerumist, välja arvatud juhul, kui grillikomponent kaotab konstruktsioonilise terviklikkuse. Kui peaks ilmneva mõni ülalnimetatud nähtustest, lugege seadme eluea pikendamiseks korrashoiu- ja hooldusjaotist. Kui grilli ei kasutata, soovib Dansons kasutada grilli katet.

See garantii lähtub grilli tavapärasest kodukasutamisest ja teenindamisest ning ärirakendustes kasutatavale grillile see piiratud garantii ei kehti.

## ERANDID

Pit Boss® grillidel pole kirjalikku ega kaudset toimimisgarantiid, kuna tootjal pole kontrolli paigaldamise, kasutamise, puhastamise, hoolduse ega põletatava kütuse liigi üle. See garantii ei kehti ja Dansons võta endale vastutust, kui teie seadet pole paigaldatud, käitatud, puhastatud ja hooldatud ranges vastavuses selle kasutusjuhendiga. Mistahes gaasi kasutamine, mida selles juhendis pole kirjeldatud, võib garantii tühistada. Garantii ei kata kahjustusi ega purunemisi, mis on põhjustatud väärkasutamisest, väärast käsitlemisest või muudatustest.

Ei Dansons ega volitatud Pit Boss® edasimüüja ei võta endale juriidilist ega muud vastutust selle toote kasutamisest tuleneva vara või inimeste juhusliku või kaudse kahju eest. Olenemata sellest, kas Dansonsi vastu on esitatud nõue selle garantii rikkumise või mõne muu seaduses sätestatud või kaudse garantii rikkumise tõttu, ei vastuta tootja mingil juhul mingit laadi eriliste, kaudsete, tulenevate või muude kahjustuste eest peale selle toote algset ostu. Kõik tootja poolt antud garantiid on esitatud käesolevas dokumendis ning tootja ei kanna vastutust ega esinda mingite muude garantiide alusel.

Mõni osariik ei luba juhuslike või kaudsete kahjude või kaudsete garantiide piiranguid välistada ega piirata, seega ei pruugi selles piiratud garantiis sätestatud piirangud või välistamised teie suhtes kehtida. See piiratud garantii annab teile konkreetseid seaduslikud õigused ja teil võivad olla ka muud õigused, mis on riigiti erinevad.

## VARUOSADE TELLIMINE

Varuosade tellimiseks pöörduge kohaliku Pit Boss® edasimüüja poole või külastage meie veebipoodi aadressil [www.pitboss-grills.com](http://www.pitboss-grills.com)

## VÕTKE ÜHENDUST KLIENDITEENINDUSEGA

Kui teil tekib küsimusi või probleeme, pöörduge klienditeeninduse poole esmaspäevast pühapäevani kell 4 kuni 20 PST (EN/FR/ES).  
**service@pitboss-grills.com | Tasuta: 1-877-303-3134 | Tasuta faks: 1-877-303-3135**

## GARANTIITEENINDUS

Remondiks või varuosade saamiseks pöörduge lähima Pit Boss® edasimüüja poole. Dansons Inc. nõuab garantiinõude kehtestamiseks ostu tõendamist, seetõttu hoidke edaspidiseks alles ostukviitung või arve. Pit Boss® seadme seeria- ja mudelinumbri leiate punkri tagaküljelt. Kirjutage numbrid üles, kuna silt võib kuluda ja muutuda loetamatuks.

---

MUDEL

---

SEERIANUMBER

---

OSTUKUUPÄEV

---

VOLITATUD EDASIMÜÜJA

# DROŠĪBAS INFORMĀCIJA

## **SADZĪVES IERĪČU AIZDEGŠANĀS LIELĀKIE IEMESLI IR NEPIENĀCĪGA APKOPE UN NEPIECIEŠAMĀ ATSTATUMA LĪDZ UGUNSNEDROŠIEM MATERIĀLIEM NEIEVĒROŠANA. IR MAKSIMĀLI SVARĪGI ŠO IZSTRĀDĀJUMU LIETOT TIKAI ATBILSTOŠI TURPMĀK SNIEGTĀJĀM NORĀDĒM.**

Pirms mēģināt samontēt, izmantot vai uzstādīt šo izstrādājumu, lūdzu, izlasiet un izprotiet šo rokasgrāmatu. Tādējādi varat nodrošināt patikamu jaunā koksnes granulu grila ekspluatāciju bez raizēm. Iesakām arī saglabāt šo rokasgrāmatu turpmākām uzziņām.

### APDRAUDĒJUMI UN BRĪDINĀJUMI

**Jums ir jāsaņemas ar vietējo māju asociācijas, būvniecības vai ugunsdzēsības amatpersonām vai iestādi, kurai ir paredzētā jurisdikcija, lai saņemtu nepieciešamās atļaujas, uzdevumus vai informāciju par uzstādījuma ierobežojumiem, piemēram, saistībā ar grila uzstādīšanu uz ugunsnedrošas virsmas, pārbaudes prasībām un pat lietošanas iespēju savā teritorijā.**

1. Jāievēro minimālais atstatums: 914 mm (36 collas) no ugunsnedrošām konstrukcijām līdz grila malām un 914 mm (36 collas) no grila aizmugures līdz ugunsnedrošām konstrukcijām. **Neuzstādiet ierīci uz grīdām, kas ir ugunsnedrošas vai aizsargātas ar ugunsnedrošām virsmām, ja vien neesat saņēmis attiecīgas atļaujas un apstiprinājumus no atbilstīgajām jurisdikcijas iestādēm.** Nelietojiet šo ierīci iekštelpās vai slēgtā, nevēdinātā zonā. Šo koksnes granulu ierīci nedrīkst novietot zem ugunsnedrošiem griestiem vai pārkares. Grilu glabājiet zonā, kurā nav ugunsnedrošu materiālu, benzīna un citu uzliesmojošu izgarojumu un šķidrums.

**Ja aizdegas taukvielas, izslēdziet grilu un atstājiet vāku aizvērtu, līdz uguns ir nodzisis. Atvienojiet strāvas vadu no ligzdas. Nelejiet ūdeni uz ierīces. Nemēģiniet aplāpēt uguni. Lai degšana neizplatītos, izmantojiet visām klasēm (ABC klase) apstiprinātu ugunsdzēsamo aparātu. Nekontrolētas degšanas gadījumā zvaniet ugunsdzēsības dienestam.**

2. Elektrības vadus un kurināmo glabājiet pietiekamā atstatumā no karstām virsmām. Nelietojiet grilu lietū un ūdens avotu tuvumā.
3. Pēc glabāšanas vai nelietošanas perioda pārbaudiet, vai degšanas režģim nav nosprostojumu, vai piltuvē nav svešķermeņu un vai nav nosprostota gaisa piekļuve ap ventilatora ieeju, dūmvadu un cilindra aizmugurējām izplūdes atverēm. Pirms lietošanas notīriet. Lai pagarinātu ierīces darbību, nepieciešama regulāra kopšana un tehniskā apkope. **Ja lietus vai liela mitruma sezonās grils tiek glabāts ārā, jānodrošina, lai ūdens neiekļūtu piltuvē.** Ja koksnes granulas samirkst vai tiek pakļautas augsta mitruma līmeņa ietekmei, tās ievērojami izplešas, sadalās un var nosprostot padeves sistēmu. Vienmēr pirms jebkura servisa vai apkopes darba atvienojiet ierīci no strāvas padeves.

**Transportēšanas laikā grilu nedrīkst izmantot un tas nedrīkst būt karsts. Pirms grila pārvietošanas pārliecinieties, vai tas ir pilnībā nodzisis un atdzisis.**

4. Strādājot ar grilu, ieteicams izmantot karstumizturīgus grila cimds (dūraiņus vai pirkstaiņus). Neizmantojiet piederumus, kas nav norādīti lietošanai ar šo ierīci. Nenovietojiet grila pārsegu vai citus uzliesmojošus priekšmetus glabāšanas vietā zem grila.
5. Lai pirksti, apģērbs vai citi priekšmeti nesaskartos ar vītņveida padeves sistēmu, ierīcei ir uzstādīts metāla drošības siets, kas piestiprināts piltuves iekšpusē. Šo sietu drīkst noņemt vienīgi tad, ja to ir norādījuši klientu apkalpošanas dienesta darbinieki vai pilnvarots dīleris.

**Šo ierīci nav ieteicams izmantot bērniem un personām ar samazinātām fiziskajām, maņu vai garīgajām spējām, ja vien tas nenotiek par viņu drošību atbildīgās personas tiešā uzraudzībā vai pēc šīs personas norādījumiem.**

6. Grila daļas var ļoti sakarst, izraisot nopietnas traumas risku. Ierīces lietošanas laikā tai nedrīkst tuvuoties mazi bērni un mājdzīvnieki.
7. Nepalīeliniet aizdedzināšanas caurumus vai degšanas traukus. Šī brīdinājuma neievērošanas iespējamais rezultāts ir aizdegšanās un traumas, kā arī garantijas atcelšana.

8. Izstrādājumam var būt asas malas vai punkti. Pieskaroties iespējamās traumas. Rīkojieties piesardzīgi.

## ATBRĪVOŠANĀS NO PELNIEM

Pelni jāievieto metāla konteinerā ar stingri aiztaisāmu vāku. Pirms galīgās likvidēšanas aizvērts pelnu konteiners jānovieto uz neuzliesmojošas grīdas vai zemes pietiekamā atstatumā no jebkuriem uzliesmojošiem materiāliem. Ja no pelniem paredzēts atbrīvoties, tos ierokot augsnē vai vietēji izklidējot, tie jāglabā slēgtā konteinerā, līdz visi izdedži ir pilnīgi atdzisuši.

## KOKSNES GRANULU KURINĀMAIS

Šī gatavošanas ierīce, kas izmanto granulas, ir izstrādāta un apstiprināta tikai pilnīgi dabiskam granulētas koksnes kurināmajam. Ja šajā ierīcē tiek dedzināts jebkāds cits kurināmais, garantija un drošības norādījumi vairs nav spēkā. Driest izmantot tikai pilnīgi dabiskas koksnes granulas, kas paredzētas dedzināšanai granulū grilos. Neizmantojiet kurināmo ar piedevām. Koksnes granulas ir ļoti uzņēmīgas pret mitrumu un vienmēr jāglabā hermētiski noslēgtā konteinerā. Ja grils tiek ilgstoši glabāts neizmantots, ieteicams iztīrīt visas granulas no grila piltuves un vītnes, lai novērstu sastrēgumus.

**Iededzināšanai vai degšanas atjaunošanai neizmantojiet spirtu, benzīnu, gāzolinu, šķiltavu šķidrumu vai petroleju. Ierīces lietošanas laikā visus šos šķidrumus glabāiet pietiekamā atstatumā.**

Šī dokumenta drukāšanas laikā nav nozares standarta, kas attiektos uz grila koksnes granulām, tomēr vairumā granulū ražotņu tiek pielietoti vienādi standarti, lai izgatavotu koksnes granulas lietošanai sadzīvē. Papildinformāciju skatiet šeit: [www.pelletheat.org](http://www.pelletheat.org) vai **Pellet Fuel Institute** informācijā.

Sazinieties ar vietējo dileri, lai iegūtu informāciju par granulū kvalitāti savā reģionā un par zīmola kvalitāti. Tā kā nav nekādas izmantoto granulū kvalitātes kontroles, mēs neuzņemamies nekādu atbildību par zemas kvalitātes kurināmā izraisītiem kaitējumiem.

## KREOZOTS

Kreozots jeb sodrēji ir darvai līdzīga viela. Tai degot, rodas melni dūmi ar pārpalikumiem, kas arī ir melnā krāsā. Sodrēji vai kreozots veidojas ierīces nepareizas darbības rezultātā, piemēram, ja ir nosprostots degšanas ventilators, nav veikta degšanas zonas tīrīšana un apkope, granulas ir ietekmējis mitrums vai ir sliktas gaisa-kurināmā maisījums.

Šīs ierīces izmantošana ir bīstama, ja liesma kļūst tumša, melnīgsnēja vai degšanas trauks ir pārpildīts ar granulām. Ja kreozots aizdegas, uguns ir ārkārtīgi karsta un nekontrolēta, līdzīga taukvielu degšanas ugunij. Šādā gadījumā izslēdziet ierīci, ļaujiet tai pilnīgi atdzist, pēc tam pārbaudiet to apkopes un tīrīšanas nolūkos. Kreozots parasti uzkrājas gar izplūdes zonām.

Ja kreozots ir izveidojies ierīces iekšpusē, ļaujiet ierīcei uzsilt zemā temperatūrā, izslēdziet ierīci un pēc tam noslaukiet visus veidojumus ar roku dvieli. Tāpat kā darvu, to vieglāk ir notīrīt siltu, jo tas kļūst šķidr.

## OGLEKĻA MONOKSĪDS („KLUSAIS SLEPKAVA“)

Oglekļa monoksīds ir bezkrāsaina gāze bez aromāta un garšas, tā veidojas gāzes, koka, propāna, kokogļu un cita kurināmā degšanas rezultātā. Oglekļa monoksīds samazina asiņu spēju pārnest skābekli. Ja asinis ir zems skābekļa līmenis, tas var izraisīt galvassāpes, reiboni, vājumu, nelabumu, vemšanu, miegainību, apmulsumu, bezsamaņu vai nāvi. Ievērojiet šīs norādes, lai šī bezkrāsainā gāze bez aromāta neizraisītu saindēšanos jums, jūsu ģimenei vai citiem cilvēkiem:

- Apmeklējiet ārstu, ja jums vai citiem rodas saaukstēšanās vai gripas veida simptomi ēdiena gatavošanas laikā vai ierīces tuvumā. Saindēšanās ar oglekļa monoksīdu, ko kļūdaini var uzskatīt par saaukstēšanos vai gripu, bieži tiek konstatēta pārāk vēlu.
- Alkohola un narkotisku vielu lietošana pastiprina saindēšanos ar oglekļa monoksīdu ietekmi.

Oglekļa monoksīds ir īpaši indīgs mātei un bērnam grūtniecības laikā, zīdaiņiem, gados vecākiem cilvēkiem, smēķētājiem un cilvēkiem ar asinsrites vai cirkulācijas sistēmas problēmām, piemēram, anēmiju vai sirds slimību.

## DROŠĪBAS NORĀDĪJUMI

Atbilst EN 60335-2-102:2016, EN 60335-1:2012 + A11:2014 + A13:2017 + A1: 2021 + A14: 2021 + A2: 2021, EN62233: 2008, EN 55014-1:2017, EN 61000-3-2:2014, EN 61000-3-3:2013, EN 55014-2:2015.



# SATURA RĀDĪTĀJS

Drošības informācija .....	294	Rezerves daļas	
Lietošanas instrukcijas		PB550G grila rezerves daļas.....	308
Grila vide .....	297	PB700G grila rezerves daļas .....	310
Grila temperatūras diapazons.....	298	PB850G grila rezerves daļas .....	312
Informācija par vadības paneli.....	298	PB1150G grila rezerves daļas .....	314
Informācija par zondēm .....	299	PB550G tvertnes rezerves daļas.....	316
Informācija par iestatījumu "P" .....	300	PB700G / PB850G / PB1150G tvertnes rezerves daļas .....	317
Tvertnes uzpildīšanas gaita.....	300	Garantija	
Pirmā lietošanas reize — grila nodedzināšana.....	300	Nosacījumi .....	318
Automātiskās darba sākšanas gaita .....	300	Izņēmumi .....	318
Manuālās darba sākšanas gaita.....	301	Rezerves daļu pasūtīšana.....	319
Grila izslēgšana .....	301	Saziņa ar klientu apkalpošanas nodaļu.....	319
Kopšana un apkope .....	302	Garantijas pakalpojums .....	319
Ieteikumi un metodes.....	304		
Problēmu novēršana .....	305		
Elektroinstalācijas shēma .....	307		



## AUTORTIESĪBU PAZIŅOJUMS

Autortiesības 2021. Visas tiesības paturētas. Nevienam šīs rokasgrāmatas daļu nedrīkst kopēt, pārsūtīt, ierakstīt vai glabāt izgūšanas sistēmā nekādā veidā un ne ar kādiem līdzekļiem bez tiešas rakstiskas atļaujas no

### Dansons

3411 North 5th Avenue, Suite 500, Phoenix, AZ, USA 85013  
sales@pitboss-grills.com | service@pitboss-grills.com  
[www.pitboss-grills.com](http://www.pitboss-grills.com)

### Klientu apkalpošanas dienests

Pirmdien-svētdien no plkst. 4.00 līdz 20.00 pēc PST  
(Klusā okeāna piekrastes joslas laika) (EN/FR/ES)

**Bezmaksas tālrunis: 1-877-303-3134, fakss: 1-877-303-3135**



# EKSPLUATĀCIJAS NORĀDES

Līdz ar mūsdienu dzīves stila tendenci uz veselīgu un uzturvielām bagātu pārtiku, viens no svarīgajiem apsveramajiem faktoriem ir mazāka tauku uzņemšana. Viens no labākajiem veidiem, kā uzturā samazināt tauku daudzumu, ir gatavošana ar mazu taukvielu daudzumu, piemēram, grilēšana. Tā kā granulu grilā tiek izmantotas dabīgas koksnes granulas, gaļa gatavošanas laikā uzņem pikanto koka aromātu, samazinot nepieciešamību pēc mērcēm ar augstu cukura saturu. Visā šajā rokasgrāmatā jūs pamanīsīt, ka akcentēta ir ēdiena lēna grilēšana ar ZEMAS vai VIDĒJAS temperatūras iestatījumiem.

## GRILA VIDE

### 1. KUR UZSTĀDĪT GRILU

Kā visām āra ierīcēm, arī jūsu grilam liela nozīme ir āra laika apstākļiem un gatavošanas ilgumam, kāds nepieciešams, lai pagatavotu nevainojamu maltīti.

Visām Pit Boss® ierīcēm ir jānodrošina vismaz 914 mm (36 collu) atstatums no ugunsnedrošām konstrukcijām, un šis atstatums ir jāuztur grila darbības laikā. Šo ierīci nedrīkst novietot zem ugunsnedrošiem griestiem vai pārkares. Grilu glabājiet zonā, kurā nav ugunsnedrošu materiālu, benzīna un citu uzliesmojošu izgarojumu un šķidrumu.

### 2. GATAVOŠANA AUKSTĀ LAIKĀ

Kaut arī ārā kļūst vēsāks, tas nenozīmē, ka grilēšanas sezona ir beigusies! Spirdzinošais vēsais gaiss un kūpināta ēdiena debešķīgais aromāts palīdzēs aizdzīt ziemas grūtsirdību.

Ievērojiet šos ieteikumus par to, kā izbaudīt grilēšanu vēsākos mēnešos:

- Ja kūpināšana zemā temperatūrā neizdodas, nedaudz paaugstiniet temperatūru, lai sasniegtu tādus pašus rezultātus.
- Organizēšana — pirms došanās ārā sakārtojiet virtuvē visu nepieciešamo. Ziemā pārvietojiet grilu vietā, kur nav vēja un tieša aukstuma. Noskaidrojiet vietējos noteikumus par grila tuvumu jūsu mājām un/vai citām konstrukcijām. Visu nepieciešamo novietojiet uz paplātes, kārtīgi sastipriniet un gatavs!
- Lai labāk sekotu āra temperatūrai, novietojiet āra termometru gatavošanas zonas tuvumā. Atzīmējiet žurnālā vai vēsturē, ko esat gatavojis, āra temperatūru un gatavošanas ilgumu. Tas palīdzēs vēlāk noteikt, ko gatavot un cik ilgs laiks būs nepieciešams.
- Ļoti vēsā laikā palieliniet uzsildīšanas laiku vismaz par 20 minūtēm.
- Neceliet vāku vairāk kā nepieciešams. Aukstas vēja brāzmas var ievērojami pazemināt grila temperatūru. Ēdiena pasniegšanas laikam jābūt elastīgam; pievienojiet papildu gatavošanas laiku ik reizi, kad atverat vāku.
- Sagatavojiet uzsildītu paplāti vai trauka vāku, lai ēdiens neatdzistu, kamēr nonāksiet telpās.
- Ideāli ēdieni gatavošanai ziemā ir tie, kam jāpievērš maz uzmanības, piemēram, cepetis, vesela vista, ribiņas un tītars. Vēl vairāk atvieglotiet maltītes sagatavošanu, pievienojot tādas vienkāršas lietas kā dārzeņus un kartupeļus.

### 3. GATAVOŠANA KARSTĀ LAIKĀ

Kad ārā kļūst siltāks, gatavošanas laiks saīsina.

Ievērojiet šos nedaudzos ieteikumus par to, kā izbaudīt grilēšanu karstos mēnešos:

- Noregulējiet gatavošanas temperatūru uz leju. Tas palīdz izvairīties no nevēlamiem uzliesmojumiem.
- Izmantojiet gaļas termometru, lai noteiktu ēdiena iekšējo temperatūru. Tas palīdz novērst gaļas pārcepšanu un izžūšanu.
- Pat karstā laikā joprojām būtu ieteicams gatavot ar uzliktu grila vāku.
- Ēdienu var uzturēt karstu, to ietinot folijā un ievietojot izolētā dzesētājā. Ap foliju sabāziet saburzītas avizes, lai ēdienu uzturētu karstu 3–4 stundas.

## GRILA TEMPERATŪRAS DIAPAZONI

Temperatūras rādījumi vadības paneli var precīzi neatbilst termometra rādījumam. Visas tālāk norādītās temperatūras ir aptuvenas, un tās ietekmējošie faktori ir āra vides temperatūra, vēja stiprums un virziens, izmantoto granulu kurināmā kvalitāte, vāka atvēršana un gatavotā ēdiena daudzums.

- **AUGSTA TEMPERATŪRA (205–260°C/401–500°F)**

Šo diapazonu vislabāk būtu lietot kaltēšanai un grilēšanai lielā karstumā. Izmantojiet tandēmā ar cepšanas virs liesmas ierīci (slidošo plāksni) tiešai vai netiešai gatavošanai ar liesmu. Ja **cepšanas virs liesmas ierīce ir atvērta**, tiešo liesmu izmanto, lai radītu „zilos” steikus, kā arī apbrūninātus dārzeņus, ķiploku grauzdiņus vai smorus! Ja **cepšanas virs liesmas ierīce ir aizvērta**, gaiss cirkulē ap karkasu, radot konvekcijas karstumu. Augstu temperatūru izmanto arī grila uzkaršēšanai, gatavošanas režģu nodedzināšanai un liela karstuma sasniegšanai īpaši aukstā laikā.

- **VIDĒJA TEMPERATŪRA (135–180°C/275–356°F)**

Šis diapazons ir vislabākais apcepšanai, cepšanai un lēni kūpināta produkta gatavošanas pabeigšanai. Gatavošana šādā temperatūrā ievērojami samazina taukvielu uzliesmošanas iespēju. Pārliecinieties, vai cepšanas virs liesmas ierīces slidnis ir aizvērtā pozīcijā, nosedzot rievotos atvērumus. Lielisks diapazons, lai gatavotu jebko, kas ir ietīts bekonā, vai tad, ja vēlaties daudzpusību ar kontroli.

- **ZEMA TEMPERATŪRA (82–125°C/180–257°F)**

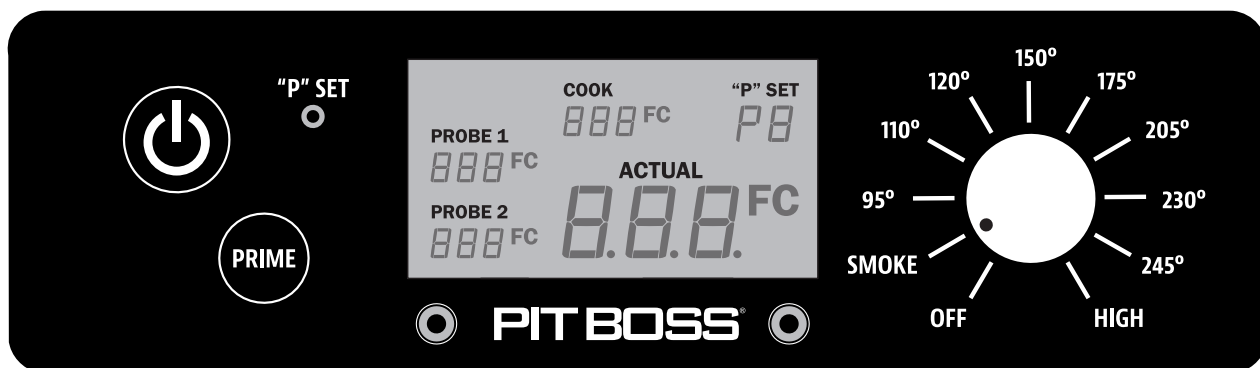
Šo diapazonu izmanto lēnai cepšanai, dūmu aromāta palielināšanai un silta ēdiena uzturēšanai. Iepildiet vēl vairāk dūmu aromāta un uzturiet gaļas sulīgumu, gatavojot ilgāk zemākā temperatūrā (to dēvē arī par **zemo un lēno** gatavošanu). Ieteicams lielam titaram Pateicības dienā, sulīgam šķiņķim Lieldienās vai lielam brīvdienu mielastam.

Kūpināšana ir īstas grilēšanas variācija un patiesi galvenā priekšrocība grilēšanai ar koksnes granulu grilu. **Karstā kūpināšana**, kas ir vēl viens nosaukums **zemajai un lēnajai** gatavošanai, parasti notiek 82–125 °C/180–257 °F temperatūrā. Karstā kūpināšana visefektīvākā ir tad, ja nepieciešams ilgāks gatavošanas laiks, piemēram, lieliem gaļas gabaliem, zivīm vai putniem.







**IETEIKUMS:** lai pikantais aromāts būtu intensīvāks, pārslēdziet uz **DŪMU (zemas) temperatūras diapazonu tūlīt pēc ēdiena novietošanas uz grila. Tas ļauj dūmiem iespieties gaļā.**

Visvairāk ir eksperimentēt ar kūpināšanai atvēlēto laiku, pirms ēdiena gatavošana ir pabeigta. Daži āra gatavošanas šefpavāri izvēlas kūpināšanu gatavošanas beigās, jo tas ļauj ēdienen uzturēt siltu līdz pasniegšanai. Pilnību sasniedz praktizējoties!

## IZPRATNE PAR VADĪBAS PANELI



VADĪBA	APRAKSTS
	Nospiediet <b>barošanas pogu</b> , lai ieslēgtu ierīci. Ja ir izveidots savienojums ar strāvas avotu, poga kvēlo zila. Vēlreiz nospiediet pogu, lai ierīci izslēgtu.

	Ar <b>temperatūras vadības skalu</b> var iestatīt vēlamu kūpināšanas temperatūru. Pēc savienošanas ar barošanas avotu un barošanas pogas nospiešanas pagrieziet skalu un atlasiet jebkuru no desmit temperatūras priekšiestatījumiem (82–260°C/180–500°F). Kad skala ir pagriezta uz temperatūras priekšiestatījumu, iedegas digitālais LCD ekrāns, parādot gatavību darbam. Ja skala ir pagriezta izslēgšanas pozīcijā, digitālais LCD ekrāns paliek izslēgts.
"P" SET 	„P” iestatīšanas pogu izmanto, lai atlasītu vienu no astoņiem precīzajiem pielāgojumiem, kad temperatūras vadības skala tiek iestatīta uz dūmu iestatījumu. Nospiediet pogu, lai mainītu „P” iestatījumu atbilstoši izvēlētajam gatavošanas stilam un gatavošanas videi. <u>Īsi piespiežot</u> pogu, iestatījums pieaug no P0 līdz P7, pēc tam atkārtojas. Regulēšana ir iespējama tikai dūmu iestatījumā. Rūpnīcas noklusējuma iestatījums ir „P4”. Ja „P” iestatījums tiek pielāgots, izvēle tiek fiksēta (saglabāta) līdz nākamajai pielāgošanai.  „P” iestatīšanas pogu lieto arī kā <b>temperatūras slēdža vadību</b> , lai mainītu temperatūras rādījumu LCD ekrānā. Turiet <u>nospiestu</u> pogu divas sekundes, lai pēc izvēles pārslēgtu uz grādiem pēc Celsija (°C) vai Fārenheita (°F). Noklusējums ir iestatīts pēc Celsija.
	<b>LCD ekrānu</b> izmanto kā šīs ierīces informācijas centru. LCD ekrāna tiek parādīta vēlamā gatavošanas temperatūra, faktiskā gatavošanas temperatūra un gaļas zonžu temperatūras (ja izveidots savienojums). Ja ir savienota tikai viena gaļas zonde, tiek parādīts tikai viens mērījums.
	Turiet nospiestu <b>uzpildīšanas pogu</b> , lai aktivizētu granulu papildu padevi uz degšanas trauku. To var izmantot, lai pievienotu papildu kurināmo pirms korpusa vāka atvēršanas, paātrinot karstuma atjaunošanu. To var izmantot arī kūpināšanas laikā, lai palielinātu tīrā dūmu aromāta intensitāti. Pieprasījuši gatavošanas sacensību dalībnieki.
<b>SMOKE</b>	<b>Dūmu iestatījums</b> temperatūras vadības skalā ir iekārtas darba sākšanas režīms. Grils darbojas zemākajā temperatūrā, ugunij nenodziestot.
	Pieslēdzama savienojuma ports(-i) vadības paneļa priekšā ir paredzēts(-i) <b>gaļas zondei(-ēm)</b> . Ja gaļas zonde ir savienota, temperatūra tiek parādīta LCD ekrānā. Ja gaļas zonde netiek lietota, atvienojiet to no savienojuma porta. <i>Saderīga tikai ar Pit Boss® zīmola gaļas zondēm. Papildu gaļas zonde(-s) tiek pārdota(-s) atsevišķi.</i> 

## IZPRATNE PAR ZONDĒM

### • TEMPERATŪRAS ZONDE

Temperatūras zonde atrodas galvenā korpusa iekšpusē pie kreisās sienas. Tā ir maza, vertikāla, no nerūsējošā tērauda izgatavota zonde. Temperatūras zonde mēra ierīces iekšējo temperatūru. Ja temperatūra tiek regulēta vadības panelī, temperatūras zonde nolasa faktisko temperatūru ierīces iekšpusē un pielāgo to līdz nepieciešamajai.

**SVARĪGI: ierīces temperatūru ievērojami ietekmē āra laikapstākļi, izmantoto granulu kvalitāte, granulu aromāts un gatavojamā ēdiena daudzums.**

### • GAĻAS ZONDE

Gaļas zonde mēra gaļas iekšējo temperatūru grilā līdzīgi iekšstelpu cepeškrāsnij. Pieslēdziet gaļas zondes adapteru pie gaļas zondes savienojuma pieslēgvietas vadības panelī, ievietojiet nerūsējošā tērauda gaļas zondi gaļas biezākajā daļā, un vadības panelī tiks parādīta temperatūra. **Lai nodrošinātu gaļas zondes pareizu savienošanu ar savienojuma portu, sajūtiēt un sadzirdiet, ka tā ar klikšķi iegulst vietā.**

**PIEZĪME: ievietojot gaļas zondi gaļā, nodrošiniet, lai gaļas zondei un tās vadiem nebūtu tiešas saskares ar liesmām vai pārmērīgu karstumu, jo tas var izraisīt gaļas zondes bojājumus. Izvadiet lieko vadu ārpus galvenā grila aizmugurējiem izvades caurumiem vai galvenā grila augšu (grila vāka eņģes tuvumā). Ja zonde netiek lietota, atvienojiet to no zondes savienojuma porta un noglabājiet, lai uzturētu aizsargātu un tīru.**

## IZPRATNE PAR „P” IESTATĪJUMU

Ja tiek nospiesta ievirzītā „P” IESTATĪŠANAS poga, LCD ekrānā parādītais „P” iestatījums mirgo un mainās uz nākamo vērtību (augšup). Pēc P7 sasniegšanas, tas atkal sāk no P0. Pavisam ir astoņi „P” iestatījumi diapazonā no P0 līdz P7. Ievirzīto „P” IESTATĪŠANAS pogu var nospiegt ar priekšmetu, kuram ir plāns gals.

**SVARĪGI: nespiediet „P” IESTATĪŠANAS pogu pārāk spēcīgi, jo tā var izraisīt bojājumus. Tā ir jāpiespiež tikai pavisam viegli.**

### • „P” IESTATĪJUMA IZMANTOŠANA DŪMU REŽĪMĀ

Ik reizi, kad temperatūras skalas iestatījums ir SMOKE (Dūmi), piemēram, darba sākšanas ciklā, vītne vairāk darbojas manuālajā gatavošanas režīmā nekā tad, ja tiek izmantota kāda no priekšiestatījuma skalas temperatūrām. Vispirms vītne pastāvīgi griezīsies un pados granulas četras minūtes. Pēc četrām minūtēm vītne sāk palaist padeves ciklu, pamatojoties uz digitālajā vadības panelī atlasīto iestatījumu „P”. Noklusējuma iestatījums ir P4.

„P” IESTATĪJUMS	VĪTNES CIKLS (sekundes)	
	IESLĒGTS	IZSLĒGTS
P0	18	55
P1	18	70
P2	18	85
P3	18	100
*P4	18	115
P5	18	130
P6	18	140
P7	18	150

**\* Rūpnīcas noklusējuma iestatījums**

## PILTUVES UZPILDĪŠANAS PROCEDŪRA

Šie norādījumi ir jāievēro grila pirmajā iededzināšanas reizē un vienmēr, kad grila piltuvē beidzas granulas. Vītne ir jāuzpilda, lai granulas varētu pārvietoties visā tās garumā un uzpildīt degšanas trauku. **Ja tas nav uzpildīts, deglim iestāsies taimauts pirms granulu aizdedzināšanas un degšana nesāksies.** Lai uzpildītu piltuvi, veiciet šīs darbības:

1. Atveriet piltuves vāku. Pārlicinieties, vai piltuvē nav svešķermeņu vai bloķējuma vītnes padeves sistēmas apakšā.
2. Izņemiet visus gatavošanas komponentus no grila iekšpusē. Degšanas trauku novietojiet galvenā karkasa apakšā.
3. Strāvas vadu pieslēdziet strāvas avotam. Nospiediet **barošanas pogu**, lai ierīci ieslēgtu, un pagrieziet **temperatūras vadības skalu** pozīcijā SMOKE (Dūmi). Pārbaudiet šos elementus:
  - Vai ir dzirdama vītnes griešanās. Uzlieciet plaukstu virs degšanas trauka un sajūtiel gaisa kustību. Nelieciet plaukstu vai pirkstus degšanas traukā. Tas var izraisīt traumu.
  - Apmēram pēc minūtes vajadzētu būt jūtāmam degļa degšanas aromātam un gaisa uzsilšanai degšanas traukā. Degļa gals nekvēlo sarkans, bet ārkārtīgi sakarst un deg. Neaizskariet degli.
4. Pārlicinieties, vai visi elektrokomponenti darbojas pareizi, un nospiediet **barošanas pogu**, lai ierīci izslēgtu.
5. Uzpildiet piltuvi ar pilnīgi dabiskām grila koksnes granulām.
6. Nospiediet **barošanas pogu**, lai ieslēgtu ierīci. **Temperatūras vadības skalu** atstājiet pozīcijā SMOKE (Dūmi). Nospiediet un turiet nospiestu **uzpildīšanas pogu**, līdz redzat granulas grila iekšpusē no vītnes caurules. Kad granulas sāk iekrist degšanas traukā, atlaidiet **uzpildīšanas pogu**.
7. Nospiediet **barošanas pogu**, lai izslēgtu ierīci.
8. Ievietojiet gatavošanas komponentus galvenajā karkasā. Tagad grils ir gatavs lietošanai. (Lai nodrošinātu gatavošanas komponentu pareizu uzstādīšanu, skatiet *Montāžas instrukcijas*.)

## PIRMĀ LIETOŠANA — GRILA NODEDZINĀŠANA

Pēc piltuves uzpildīšanas un pirms pirmās gatavošanas ar grilu ir svarīgi veikt grila nodedzināšanu. Ieslēdziet grilu un darbiniet to jebkurā temperatūrā virs 176°C/350°F (ar vāku uz leju) 30–40 minūtes, lai grilu nodedzinātu un atbrīvotos no svešķermeņiem.

## AUTOMĀTISKĀS PALAIDES PROCEDŪRA

1. Strāvas vadu pieslēdziet iezemētam strāvas avotam. Atveriet galvenā karkasa vāku. Pārbaudiet, vai degšanas traukā nav traucējumu pareizai aizdedzināšanai. Atveriet piltuves vāku. Pārlicinieties, vai piltuvē vai vītnes padeves sistēmā nav svešķermeņu. Uzpildiet piltuvi ar sausām, pilnīgi dabiskām grila cietkoksnes granulām.

2. Pārlicinieties, vai **temperatūras vadības skala** ir pozīcijā SMOKE (Dūmi). Nospiediet **barošanas pogu**, lai ieslēgtu ierīci. Tādējādi tiks aktivizēts darba sākšanas cikls. Sāk griezties vītnes padeves sistēma, iekvēlojas deglis, un ventilators padod gaisu uz degšanas trauku. Kamēr notiek darba sākšanas cikls, grils sāk veidot dūmus. Darba sākšanas cikla laika karkasa vākam jāpaliek atvērtam. Lai pārlicinātos, vai cikls ir sāksis pareizi, paklausieties degšanas troksni un vērojiet, vai rodas karstums.
3. Kad smagie, baltie dūmi ir izkļiedēti, darba sākšanas cikls ir pabeigts un grilu var izmantot nepieciešamajā temperatūrā!

### PROCEDŪRA DEĢĻA ATTEICES GADĪJUMĀ

**Ja elektriskajam grilam kāda iemesla dēļ rodas atteice vai grila liesma gatavošanas laikā nodziest, veiciet turpmāk norādītās darbības vai iedarbiniet grilu, izmantojot manuālo metodi.**

1. Pārlicinieties, vai **temperatūras vadības skala** ir izslēgta un pozīcijā SMOKE (Dūmi). Atveriet korpusa vāku. Izņemiet gatavošanas komponentus no iekšpusēs. Izņemiet visas nesadedzušās granulas un pelnus no degšanas trauka. Izvairieties no pieskaršanās deglim, lai negūtu traumas, jo tas var ārkārtīgi sakarst.
2. Kad visi gatavošanas komponenti ir noņemti un notīrīti, nospiediet **barošanas pogu**, lai ieslēgtu ierīci. Pārbaudiet šos elementus:
  - Vizuāli pārlicinieties, vai deglis darbojas, uzliekot roku virs degšanas trauka un sajūtot karstumu.
  - Vizuāli pārbaudiet, vai deglis izvirs degšanas traukā apmēram 13 mm/0,5 collas.
  - Vizuāli pārbaudiet, vai granulas no vītnes krīt degšanas traukā.
  - Pārlicinieties, vai darbojas dedzināšanas ventilators, klausoties degšanas skaņu.
3. Ja kaut kas no iepriekš minētā nenotiek, skatiet **traucējumu meklēšanas** instrukcijas.

### MANUĀLĀS PALAIDES PROCEDŪRA

1. Pārlicinieties, vai **temperatūras vadības skala** ir pozīcijā SMOKE (Dūmi). Strāvas vadu pieslēdziet iezemētam strāvas avotam.
2. Pārbaudiet, vai degšanas traukā nav traucējumu pareizai aizdedzināšanai. Atveriet piltuves vāku. Pārlicinieties, vai piltuvē vai vītnes padeves sistēmā nav svešķermeņu. Uzpildiet piltuvi ar sausām, pilnīgi dabiskām grila cietkoksnes granulām.
3. Atveriet karkasa vāku. Izņemiet gatavošanas komponentus, lai atsegtu degšanas trauku. Degšanas traukā ielieciet lielu sauju granulu. Uzšļāciet gelveida degšanas līdzekli vai citu piemērotu granulu aizdedzināšanas līdzekli granulu augšpusē. Piemērots ir arī ciets kurināmā aizdedzināšanas līdzeklis nelielā daudzumā, piemēram, izveidots no zāģskaidām un vaska vai no koka skaidām. Pievienojiet degšanas traukā vēl nedaudz granulu.

**PIEZĪME: iededzināšanai vai degšanas atjaunošanai neizmantojiet spirtu, benzīnu, gāzolinu, šķiltavu šķidrums vai petroleju.**

4. Aizdedziniet degšanas trauka saturu ar garu sērkokciņu vai šķiltavām, kurām ir pagarinājums. Ļaujiet iekuriem degt 3–5 minūtes. Nemēģiniet degšanas traukā pievienot papildu iekurus. Tas var izraisīt traumu.
5. Ātri un uzmanīgi nomainiet gatavošanas komponentus galvenajā korpusā. Turpiniet sākšanas ciklu ar **automātiskās darba sākšanas procedūras** otro soli.

### GRILA IZSLĒGŠANA

1. Kad gatavošana ir pabeigta un galvenā korpusa vāks paliek aizvērts, nospiediet **barošanas pogu**, lai ierīci izslēgtu, un **temperatūras vadības skalu** pārslēdziet pozīcijā OFF (Izslēgts).

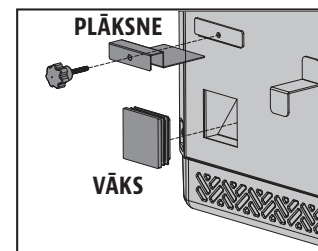
# KOPŠANA UN APKOPE

Jebkura Pit Boss® ierīce nodrošinās daudzus aromātiskas kalpošanas gadus ar minimālu tīrīšanu. Kopjot grilu, ievērojiet šos ieteikumus par tīrīšanu un apkopi:

## 1. PILTUVES MONTĀŽA

- Piltuve iekļauj iztīrīšanas funkciju, lai atvieglotu granulu kurināmā aromātu iztīrīšanu un nomaiņu. Lai iztukšotu, atrodiēt plāksni un nolaižamā kanāla vāku piltuves aizmugurē. Novietojiet tīru, tukšu spaini zem nolaižamā kanāla vāka, pēc tam noņemiet vāka daļu. Atskrūvējiet plāksni, izbīdiet to uz āru, un granulas tiks iztukšotas.

**PIEZĪME: izmantojiet birsti ar garu rokturi vai industriālo putekļsūcēju, lai aizvāktu liekās granulas, zāģu skaidas un gružus, nodrošinot pilnīgu iztīrīšanu caur piltuves sietu.**



- Ja grils netiks lietots ilgāku laiku, ieteicams izvākt visas granulas no vītnes sistēmas. To var izdarīt, vienkārši darbinot grilu ar tukšu piltuvi, līdz visas granulas ir iztukšotas no vītnes caurules.
- Pārbaudiet un iztīriet visus gružus no ventilatora gaisa ieplūdes atveres, kas atrodas piltuves apakšā. Kad piltuves piekļuves panelis ir noņemts (skatiet shēmu šeit: **Elektroinstalācijas shēma**), rūpīgi noslaukiet visus taukvielu uzkrājumus no ventilatora lāpstiņām. Tādējādi tiek nodrošināta pietiekama gaisa plūsma uz padeves sistēmu.

## 2. ZONDES

- Zondes vadu savijumi vai locījumi var izraisīt bojājumus. Ja gaļas zonde netiek lietota, tā jāsaritina lielā, vaļīgā spolē.
- Kaut arī temperatūras zonde un gaļas zonde ir izgatavotas no nerūsošā tērauda, nelieciet tās trauku mazgājamā mašīnā un neiegremdējiet ūdenī. Ūdens radīs bojājumus iekšējiem vadiem izraisīs zondes issavienojumu un līdz ar to nepareizus rādījumus. Ja zonde ir bojāta, tā jānomaina.

## 3. IEKŠĒJĀS VIRSMAS

- Ieteicams iztīrīt degšanas trauku ik pēc dažām lietošanas reizēm. Tādējādi tiek nodrošināta pareiza aizdedzināšana un var izvairīties no lieliem grūžu vai pelnu uzkrājumiem degšanas traukā.
- Izmantojiet grila tīrīšanas birsti ar garu rokturi un noņemiet visu pārtiku un uzkrājumus no gatavošanas režģiem. Vislabāk to būtu darīt, kamēr tie vēl ir silti kopš iepriekšējās gatavošanas. Taukvielu degšanas iemesls ir pārāk liels nokritušu netīrumu apjoms uz grila gatavošanas komponentiem. Regulāri iztīriet grila iekšpusi. Ja aizdegušās taukvielas, turiet grila vāku aizvērtu, lai apslāpētu degšanu. Ja uguns tik drīz nenodziest, uzmanīgi izņemiet pārtiku, izslēdziet grilu un aizveriet vāku, līdz uguns ir pilnīgi nodzisusi. Uzberiet nedaudz dzeramās sodas (ja pieejama).
- Bieži pārbaudiet un, ja nepieciešams, iztīriet taukvielu spaini. Paturiet prātā savu gatavošanas veidu.

**SVARĪGI: liela karstuma dēļ nepārklājiet ierīci cepšanai ar liesmu vai zondes ar alumīnija foliju.**

## 4. ĀRĒJĀS VIRSMAS

- Noslaukiet savu grilu pēc katras lietošanas. Notīriet taukvielas ar siltu ziepjūdeni. Ārējām grila virsmām neizmantojiet cepeškrāsns tīrīšanas līdzekli, abrazīvus tīrīšanas līdzekļus un abrazīvas tīrīšanas drānas. **Garantija neattiecas uz krāsotajām virsmām;** uz tām attiecas vispārēja apkope un uzturēšana. Ja krāsa ir saskrāpēta vai nodilusi vai notiek apdares atslāņošanās, visas krāsotās virsmas var pielabot, izmantojot lielam karstumam paredzētu grila krāsu.
- Izmantojiet grila vāku, lai grilam nodrošinātu pilnu aizsardzību! Vāks ir vislabākā aizsardzība pret laikapstākļu ietekmi un āra piesārņotājiem. Ja grils netiek lietots vai tiek novietots ilgstošai glabāšanai, glabājiet to zem vāka garāžā vai šķūnī.

### TĪRĪŠANAS BIEŽUMA GRAFIKS (NORMĀLAI LIETOŠANAI)

ELEMENTS	TĪRĪŠANAS BIEŽUMS	TĪRĪŠANAS METODE
Grila pamatdaļas apakša	Ik pēc 5–6 grilēšanas reizēm	Izgrābiet liekos gružus vai iztīriet tos ar industriālo putekļsūcēju
Degšanas trauks	Ik pēc 2–3 grilēšanas reizēm	Izgrābiet liekos gružus vai iztīriet tos ar industriālo putekļsūcēju
Gatavošanas režģi	Pēc katras grilēšanas	Nodedziniet lieko, izmantojiet misiņa stieplu suku
Ierīce cepšanai liesmās	Ik pēc 5–6 grilēšanas reizēm	Noskrāpējiet galveno plāksni un slīdni, <b>nenomazgājiet to</b>
Priekšējais plaukts	Pēc katras grilēšanas	Beršanas vīkšķis un ziepjūdens
Taukvielu spainis	Pēc katras grilēšanas	Beršanas vīkšķis un ziepjūdens
Vītnes padeves sistēma	Kad granulu maiss ir tukšs	Ļaujiet vītnei izgrūst zāģskaidas, atstājot tvertni tukšu
Tvertnes elektrokomponenti	Vienreiz gadā	Iztīriet putekļus iekšpusē un noslaukiet ventilatora lāpstiņas ar ziepjūdeni
Gaisa ieplūdes ventilācijas atvere	Ik pēc 5–6 grilēšanas reizēm	Putekļi, beršanas vīkšķis un ziepjūdens
Temperatūras zonde	Ik pēc 2–3 grilēšanas reizēm	Beršanas vīkšķis un ziepjūdens

# IETEIKUMI UN METODES

Lai labāk iepazītu savu grilu, ievērojiet šos noderīgos padomus un metodes, kas nākušas no Pit Boss® īpašniekiem, mūsu personāla un jums līdzīgiem klientiem.

## 1. PĀRTIKAS DROŠĪBA

- Uzturiet tīrību virtuvē un gatavošanas zonā. Pagatavotajai gaļai izmantojiet citas plāksnes un piederumus, nevis tos, ko lietojāt neapstrādātas gaļas sagatavošanai vai pārvietošanai no grila. Tādējādi tiek novērsta baktēriju savstarpējā pārnešana. Katrai marinādei vai cepeša pārliešanas mērcei ir nepieciešams savs piederums.
- Karsto ēdienu uzturiet karstu (virs 60°C/140°F), bet auksto — vēsu (zem 3°C/37°F).
- Marinādi nekad nevajag taupīt vēlākai lietošanai. Ja vēlaties to pasniegt kopā ar gaļu, pirms pasniegšanas noteikti uzvāriet.
- Pagatavoto ēdienu nevajadzētu atstāt karstumā ilgāk kā vienu stundu. Karsto ēdienu neatstājiet ārpus ledusskapja ilgāk kā divas stundas.
- Atkausējiet un marinējiet gaļu ledusskapī. Neatkausējiet gaļu istabas temperatūrā vai uz darba virsmas. Siltā, mitrā pārtikā var ātri augt un vairoties baktērijas. Pirms ēdiena gatavošanas un pēc darba ar svaigu gaļu, zivīm un putniem rūpīgi nomazgājiet rokas ar karstu ziepjūdeni.

## 2. SAGATAVOŠANĀS ĒDIENA GATAVOŠANAI

- Sagatavojieties jeb **Mise en Place**. Tas attiecas uz gatavošanas receptes, kurināmā, piederumu, instrumentu un visu nepieciešamo sastāvdaļu sagatavošanu pie grila, pirms sākat gatavot ēdienu. Turklāt pirms grila iededzināšanas izlasiet arī visu recepti no sākuma līdz beigām.
- Ļoti noderīgs ir grila grīdas paklājiņš. Tā kā rīkojoties ar pārtiku ne vienmēr viss izdodas nevainojami, turklāt gatavojot rodas šļakatas, grila grīdas paklājiņš aizsargā grīdu, iekšējo pagalmu un akmeņu platformu no iespējamo tauku plankumu rašanās vai nejaušām šļakatām.

## 3. GRILĒŠANAS IETEIKUMI UN METODES

- Lai gaļa uzņemtu vairāk dūmu aromāta, gatavojiet ilgāk un zemākā temperatūrā (dēvē arī par **zemo un lēno** gatavošanu). Kad gaļas iekšējā temperatūra sasniedz 49°C/120°F, tā aizver savas šķiedras. Smidzināšana un slacināšana ir lielisks paņēmieni, kā gaļu pasargāt no izžūšanas.
- Apcepot gaļu, vākam vienmēr jābūt uzliktam. Vienmēr izmantojiet gaļas termometru, lai noteiktu gatavojamā ēdiena iekšējo temperatūru. Ēdiena kūpināšanā izmantojot cietkoksnes granulas, gaļa un putni kļūst sārti. Sārto joslu (pēc gatavošanas) dēvē par **dūmu gredzenu**, un to augstu vērtē āra šefpavāri.
- Mērces uz cukura bāzes vislabāk būtu lietot neilgi pirms gatavošanas beigām, lai izvairītos no degšanas un uzliesmojumiem.
- Atstājiet atklātu vietu starp pārtiku un korpusa kājām, lai nodrošinātu pienācīgu siltuma plūsmu. Ēdiens uz pārblīveta grila būs jāgatavo ilgāk.
- Gaļas apgriešanai izmantojiet garas kņabiles, bet burgeru un zivju apgriešanai — lāpstīņu. Ar durstīšanas instrumenta, piemēram, dakšiņas, palīdzību var sadurstīt gaļu, ļaujot izplūst tās sulai.
- Ēdiena gatavošanai kastroļos ir nepieciešams ilgāks laiks nekā seklās pannās.
- Gatavo ēdienu būtu labi novietot uz uzkarsētas plāksnes, lai uzturētu tā siltumu. Sarkanās gaļas, piemēram, steiku un cepešu, kvalitāte uzlabojas, ja tie pirms pasniegšanas var nostāvēties dažas minūtes. Tādējādi sulas, kas ir nonākušas virspusē karstuma ietekmē, var viegli atgriezties gaļas centrā, papildinot aromātu.



# PROBLĒMU NOVĒRŠANA

Pienācīga tīrīšana, apkope, kā arī tīra, sausa, kvalitatīva kurināmā izmantošana novērš vispārējas ekspluatācijas problēmas. Ja Pit Boss grils darbojas slikti vai tiek reti izmantots, var noderēt tālāk sniegtie ieteikumi problēmu novēršanai.

BUJ, lūdzu, skatiet šeit: [www.pitboss-grills.com](http://www.pitboss-grills.com). Varat arī sazināties ar vietējo Pit Boss® pilnvaroto dīleri vai klientu apkalpošanas dienestu, lai saņemtu palīdzību.

**BRĪDINĀJUMS: pirms grila atvēršanas pārbaudes, tīrīšanas, apkopes vai servisa darbu nolūkos vienmēr atvienojiet elektrības vadu. Lai negūtu traumas, pārliedzieties, vai grils ir pilnīgi atdzisis.**

PROBLĒMA	CĒLONIS	RISINĀJUMS
Vadības paneli nedeg barošanas gaismas	Temperatūras vadības skala joprojām ir izslēgta.	Nospiediet barošanas pogu un pārliedzieties, ka tā deg zilā krāsā, kas norāda, ka ir izveidots strāvas savienojums. Pagrieziet temperatūras vadības skalu uz temperatūras iestatījumu.
	Nav savienojuma ar strāvas avotu	Pārliedzieties, ka iekārta ir pievienota strādājošam strāvas avotam. Atiestatiet slēgiekārtu. Pārliedzieties, ka GFCI nodrošina vismaz 10 A jaudu (piekļuvi elektrokomponentiem skatiet <b>elektroinstalācijas shēmā</b> ). Pārliedzieties, ka visi vadu savienojumi ir stingri piestiprināti un sausi.
	Vadības paneli izdedzis drošinātājs	Noņemiet tvertnes piekļuves paneli (sk. <b>elektroinstalācijas shēmu</b> ), iespiediet plastmasas izciļņus, kas notur vietā vadības paneli, un uzmanīgi velciet kontrolleri tvertnes iekšpusē, lai to atbrīvotu. Pārbaudiet, vai drošinātāja vads nav pārrauts vai kļuvis melns. Ja tā ir, drošinātājs jānomaina manuāli.
	Atslēgusies GFCI izeja.	Noņemiet tvertnes piekļuves paneli (sk. <b>elektroinstalācijas shēmu</b> ) un pārliedzieties, ka visi vadu savienojumi ir stingri piestiprināti un sausi. Pārliedzieties, ka GFCI nodrošinājums ir vismaz 10 A.
	Vadības paneļa kļūme	Jānomaina vadības panelis. Sazinieties ar klientu apkalpošanas nodaļu par rezerves daļu.
Neiedegas uguns degšanas traukā	Nav uzpildīta vitne	Pirms ierīces pirmās lietošanas un ik reizi, kad piltuve ir pilnīgi iztukšota, vitne jāuzpilda tā, lai granulas pilnībā piepildītu vitnes cauruli. Ja tā nav uzpildīta, deglim iestājas taimauts, pirms granulas sasniedz degšanas trauku. Ievērojiet <b>piltuves uzpildīšanas procedūru</b> .
	Iesprūdis vitnes motors	Izņemiet gatavošanas komponentus no galvenā karkasa. Nospiediet barošanas pogu, lai ierīci ieslēgtu, pagrieziet temperatūras vadības skalu pozīcijā SMOKE (Dūmi) un pārbaudiet vitnes padeves sistēmu. Visuāli pārbaudiet, vai granulas no vitnes krit degšanas traukā. Ja tā nedarbojas pareizi, sazinieties ar klientu apkalpošanas dienestu, lai saņemtu palīdzību.
	Degļa atteice	Izņemiet gatavošanas komponentus no galvenā karkasa. Nospiediet barošanas pogu, lai ierīci ieslēgtu, pagrieziet temperatūras vadības skalu pozīcijā SMOKE (Dūmi) un pārbaudiet degli. Visuāli pārliedzieties, vai deglis darbojas, uzliekot roku virs degšanas trauka un sajūtot karstumu. Visuāli pārbaudiet, vai deglis izvērās degšanas traukā apmēram 13 mm/0,5 collas. Ja tas nedarbojas pareizi, veiciet <b>manuālo darba sākšanas procedūru</b> , lai turpinātu grila izmantošanu, tomēr sazinieties ar klientu apkalpošanas dienestu, lai saņemtu palīdzību vai rezerves daļu.
	Nepietiekama gaisa plūsma caur degšanas trauku	Pārbaudiet, vai degšanas traukā nav pelnu uzkrājumu vai nosprostojumu. Izpildiet kopšanas un apkopes norādījumus par pelnu uzkrāšanos. Pārbaudiet ventilatoru. Pārliedzieties, vai tas darbojas pienācīgi un gaisa ieplūde nav bloķēta. Ja tas ir netīrs, izpildiet <b>kopšanas un apkopes</b> norādījumus.
Mirgojoši punkti LCD ekrānā	Ieslēgts deglis	Šī nav grilu ietekmējoša kļūda. To izmanto, lai parādītu, ka ierīce saņem strāvu un ir darba sākšanas režīmā (deglis ieslēgts). Deglis izslēgsies pēc piecām minūtēm. Pēc mirgojošo punktu pazušanas grils sāks pielāgoties atlasītajai nepieciešamajai temperatūrai.
Mirgojoša temperatūra LCD ekrānā	Grila temperatūra ir zem 65°C/150°F	Šī nav ierīci ietekmējoša kļūda, tomēr to izmanto, lai parādītu, ka pastāv uguns nodzišanas risks. Pārbaudiet, vai piltuvē pietiek kurināmā un vai padeves sistēmā nav nosprostojumu. Izņemiet granulas un izpildiet <b>kopšanas un apkopes</b> norādījumus. Pārbaudiet grila temperatūras zondi un, ja tā ir netīra, izpildiet <b>kopšanas un apkopes</b> norādījumus. Pārbaudiet, vai degšanas traukā nav pelnu uzkrājumu vai nosprostojumu, un izpildiet <b>kopšanas un apkopes</b> norādījumus par pelnu uzkrājumiem. Pārbaudiet ventilatoru. Pārliedzieties, vai tas darbojas pienācīgi un gaisa ieplūde nav bloķēta. Ja tas ir netīrs, izpildiet <b>kopšanas un apkopes</b> norādījumus. Pārbaudiet vitnes motora darbību (griešanos) un pārliedzieties, vai vitnes caurulē nav nosprostojumu.

Kļūdas kods „ErH”	Ierīce pārkarusi, iespējams, taukvielu degšanas vai lieka kurināmā dēļ.	Nospiediet barošanas pogu, lai izslēgtu ierīci, un ļaujiet grilam atdzist. Izpildiet <b>kopšanas un apkopes</b> norādījumus. Pēc apkopes izņemiet granulas un pārbaudiet visu komponentu daļu novietojumu. Pēc atdzišanas nospiediet barošanas pogu, lai ierīci ieslēgtu, un pēc tam atlasiet nepieciešamo temperatūru. Ja joprojām tiek rādīts kļūdas kods, sazinieties ar klientu apkalpošanas dienestu.
Kļūdas kods „Er1”	Temperatūras zondes vads neizveido savienojumu.	Noņemiet piltuves piekļuves paneli (skatiet diagrammu <b>elektroinstalācijas shēmā</b> ) un pārbaudiet, vai temperatūras zondes vadiem nav bojājumu. Pārbaudiet, vai temperatūras zondes Molex savienotāji ir pievienoti stingri un vai tie ir pareizi savienoti ar vadības paneli.
Kļūdas kods „ErP”	Kad ierīce ir pievienota strāvas padevei, tā neizslēdzas pareizi. Enerģijas padeves pārtraukums ierīces darbības laikā.	Drošības funkcija novērs automātisku restartēšanu. Nospiediet barošanas pogu, lai ierīci izslēgtu, pagaidiet divas minūtes, pēc tam nospiediet barošanas pogu, lai ierīci atkal ieslēgtu. Pagrieziet temperatūras vadības skalu pozīcijā SMOKE (Dūmi) vai uz nepieciešamo temperatūru. Ja joprojām tiek rādīts kļūdas kods, sazinieties ar klientu apkalpošanas dienestu.
Kļūdas kods „noP”	Slikts savienojums pie savienojuma porta Bojāta gaļas zonde Vadības paneļa kļūme	Atvienojiet gaļas zondi no vadības paneļa savienojuma porta un atkal pievienojiet. Pārlicinieties, vai gaļas zondes adapters ir stingri pievienots. Pārbaudiet, vai adaptera galam nav bojājumu pazīmju. Ja kļūme saglabājas, sazinieties ar klientu apkalpošanas dienestu par rezerves daļu. Pārbaudiet, vai gaļas zondes vadiem nav bojājumu pazīmju. Bojājumu gadījumā sazinieties ar klientu apkalpošanas dienestu par rezerves daļu. Jānomaina vadības panelis. Saizinieties ar klientu apkalpošanas dienestu par rezerves daļu.
Grila temperatūra režīmā SMOKE (Dūmi) ir pārāk augsta	Pārāk ZEMS „P” iestatījums	Nospiediet „P” IESTATĪŠANAS pogu un palieliniet „P” iestatījumu.
Grils nesasniedz vai neuztur stabilu temperatūru	Nepietiekama gaisa plūsma caur degšanas trauku Trūkst kurināmā, zema kurināmā kvalitāte, nosprostojumi padeves sistēmā Temperatūras zonde	Pārbaudiet, vai degšanas traukā nav pelnu uzkrājumu vai nosprostojumu. Izpildiet <b>kopšanas un apkopes</b> norādījumus par pelnu uzkrāšanos. Pārbaudiet ventilatoru. Pārlicinieties, vai tas darbojas pienācīgi un gaisa ieplūde nav bloķēta. Ja tas ir netīrs, izpildiet <b>kopšanas un apkopes</b> norādījumus. Pārbaudiet vītnes motora darbību un pārlicinieties, vai vītnes caurulē nav nosprostojumu. Kad iepriekš minētās darbības ir veiktas, ieslēdziet grilu, iestatiet temperatūru uz SMOKE (Dūmi) un pagaidiet 10 minūtes. Pārbaudiet, vai liesma ir spilgta un vibrējoša. Apskatiet piltuvi, lai pārlicinātos, vai kurināmā līmenis ir pietiekams, un, ja tas ir zems, pievienojiet kurināmo. Ja koksnes granulām ir zema kvalitāte vai granulas ir pārāk garas, tās var izraisīt nosprostojumu padeves sistēmā. Izņemiet granulas un izpildiet <b>kopšanas un apkopes</b> norādījumus. Pārbaudiet temperatūras zondes stāvokli. Ja tas ir netīrs, izpildiet <b>kopšanas un apkopes</b> norādījumus. Bojājumu gadījumā sazinieties ar klientu apkalpošanas dienestu par rezerves daļu.
Grilam ir pārmērīgi vai bezkrāsaini dūmi	Taukvielu uzkrāšanās Koksnes granulū kvalitāte Nosprostots degšanas trauks Nepietiekama gaisa ieplūde ventilatoram	Izpildiet <b>kopšanas un apkopes</b> norādījumus. Izņemiet no piltuves mitrās koksnes granulas. Izpildiet <b>kopšanas un apkopes</b> norādījumus par iztīrīšanu. Aizstājiet tās ar sausām koksnes granulām. Iztīriet no degšanas trauka pelnus un citus netīrumus. Ievērojiet <b>piltuves uzpildīšanas procedūru</b> . Pārbaudiet ventilatoru. Pārlicinieties, vai tas darbojas pienācīgi un gaisa ieplūde nav bloķēta. Ja tas ir netīrs, izpildiet <b>kopšanas un apkopes</b> norādījumus.
Bieži uzliesmojumi	Gatavošanas temperatūra Taukvielu uzkrāšanās uz gatavošanas komponentiem	Mēģiniet gatavot zemākā temperatūrā. Taukvielām ir sava uzliesmošanas temperatūra. Ja gatavojat pārtiku ar augstu tauku saturu, uzturiet temperatūru zem 176°C/350°F. Izpildiet <b>kopšanas un apkopes</b> norādījumus.

# ELEKTROINSTALĀCIJAS SHĒMA

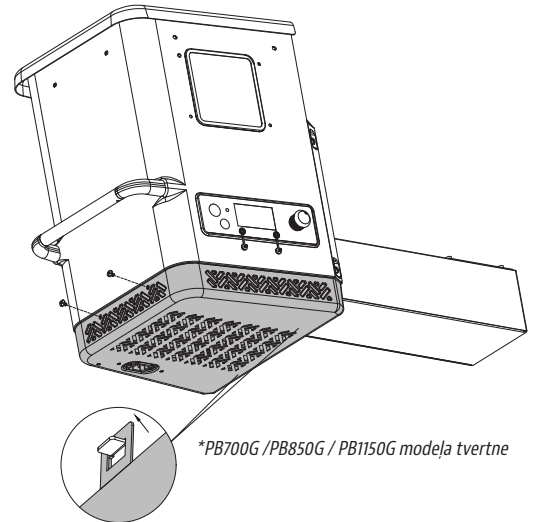
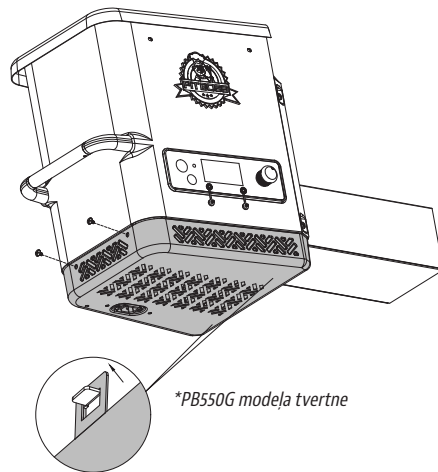
Digitālā vadības panela sistēma ir komplicēta un vērtīga tehnoloģijas vienība. Lai nodrošinātu aizsardzību pret strāvas pārspriegumiem un elektrības issavienojumiem, skatiet tālāk elektroinstalācijas shēmu; pārliecinieties, vai barošanas avots ir pietiekams ierīces darbībai.

## PB — ELEKTRĪBAS PRASĪBAS 220-240 V, 50 Hz, 250 W, IEZEMĒTS SPRAUDNIS

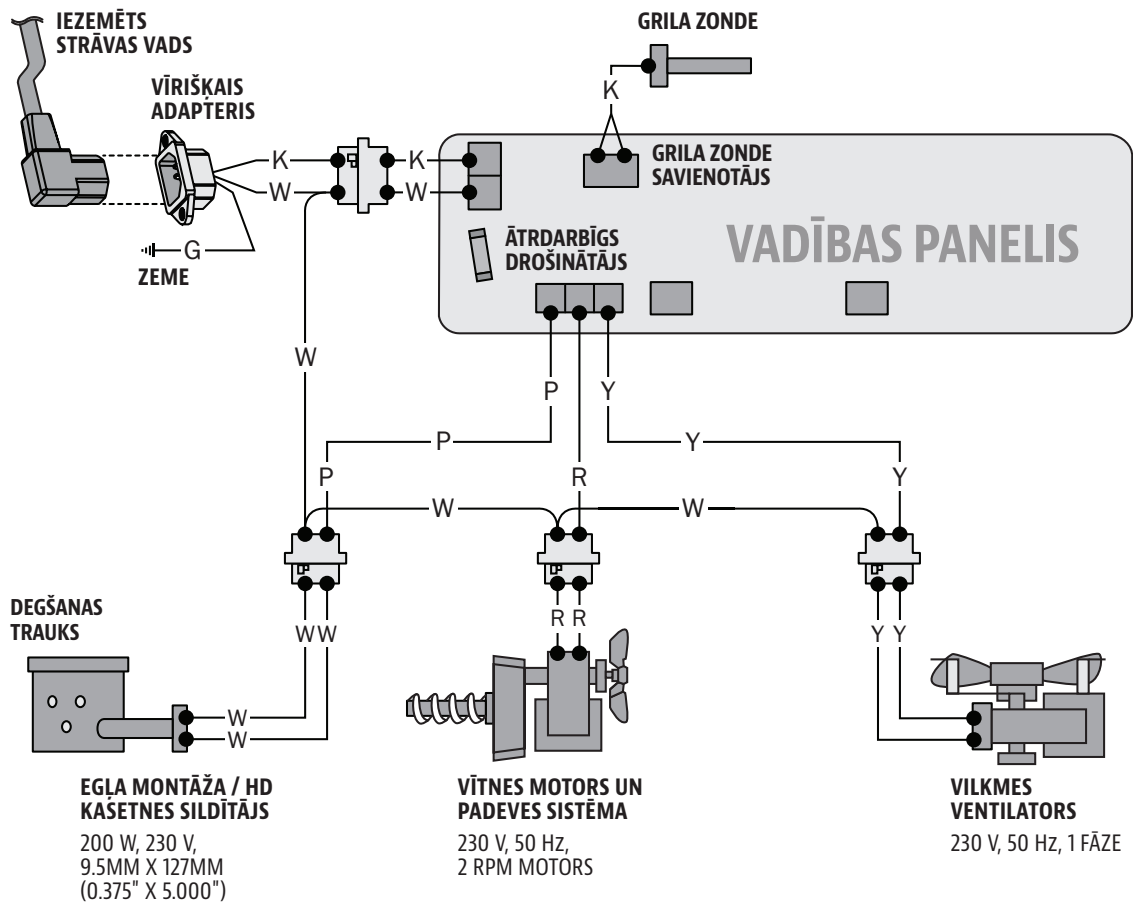
PIEZĪME: elektrokomponenti, kuriem ir veikti apstiprināti drošības testēšanas un sertifikācijas pakalpojumi, ir atbilstoši ar testēšanas pielaidi ± 5-10%.

ATRODIET UN IZŅĒMIET  
DIVAS PIEKĻUVES PANĒLA  
SKRŪVES TVERTNES SĀNĀ.

PALAIDIET APAKŠĒJO  
TVERTNES PANĒLI LEJUP UN  
BĪDIET TO ATPAKĀL, LĪDZ TAS  
ATLEC NO IZCIĻŅA.



## KURINĀMĀ IEVADES NOMINĀLS: 2 KG/H (4,4 MĀRCIŅAS/H)



## PB550G GRILA REZERVES DAĻAS

Daļas Nr.	Apraksts
1-A	Vāka aizturis (x1)
2-A	Vāka rokturis (x1)
3-A	Vāka roktura slīpā mala (x2)
4-A	Galvenais karkass (x1)
5-A	Tvertnes montāža (x1)
6-A	Regulators cepšanai liesmās (x1)
7-A	Regulatora rokturis cepšanai liesmās (x1)
8-A	Slīdnis cepšanai liesmās (x1)
9-A	Galvenā plāksne cepšanai liesmās (x1)
10-A	Priekšējā kreisā kāja (x1)
11-A	Aizmugurējā kreisā kāja (x1)
12-A	Priekšējā labā kāja (x1)
13-A	Aizmugurējā labā kāja (x1)
14-A	Priekšējās kreisās kājas apdares plāksne (x1)
15-A	Aizmugurējās kreisās kājas apdares plāksne (x1)
16-A	Ritenis (x2)
17-A	Apakšējā labā atbalsta plāksne (x1)
18-A	Apakšējā kreisā atbalsta plāksne (x1)
19-A	Īsā atbalsta plāksne (x2)

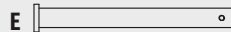
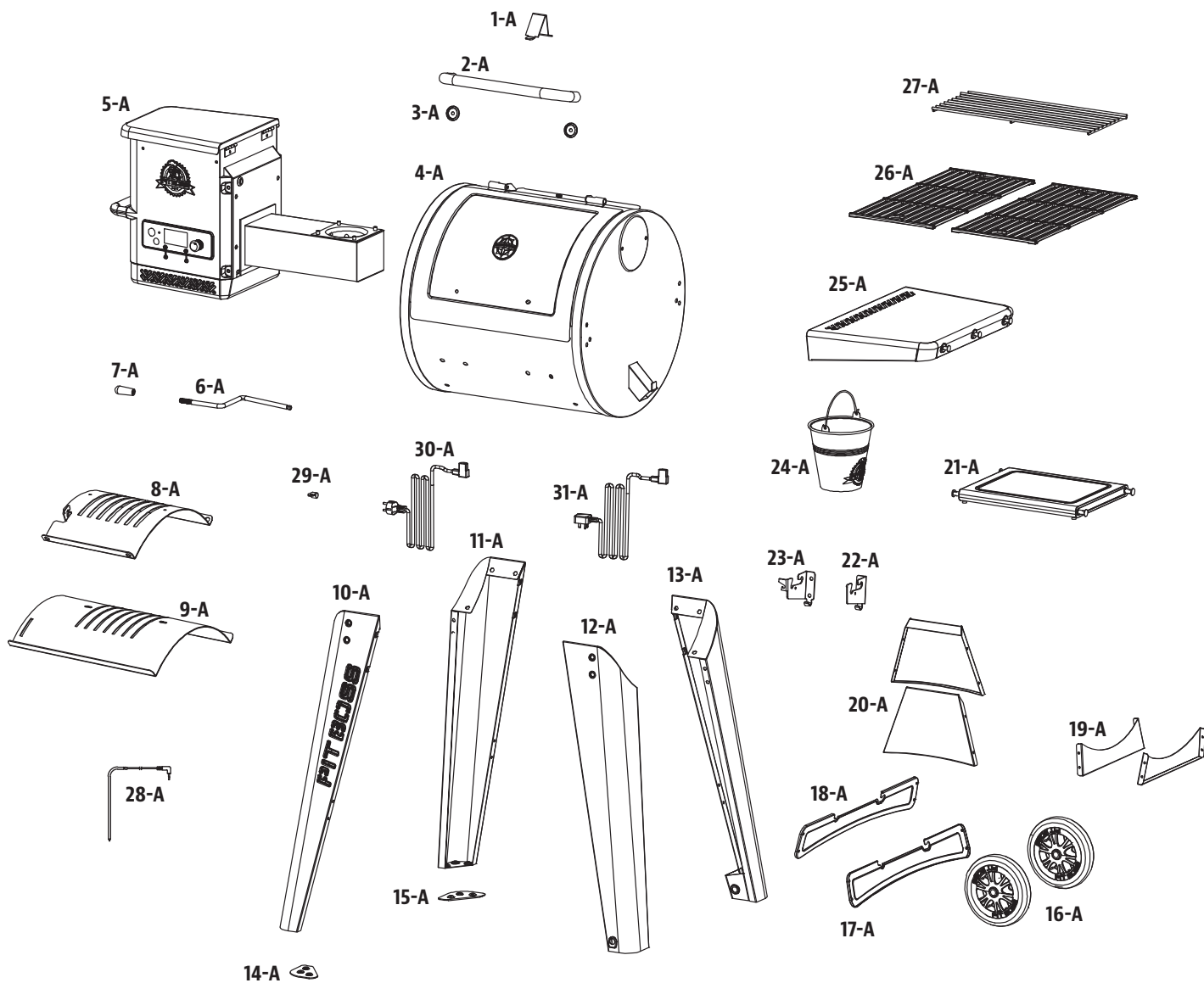
Daļas Nr.	Apraksts
20-A	Priekšējā/aizmugurējā garā atbalsta plāksne (x2)
21-A	Priekšējais plaukts (x1)
22-A	Priekšējā plaukta labais kronšteins (x1)
23-A	Priekšējā plaukta kreisais kronšteins (x1)
24-A	Taukvielu spainis (x1)
25-A	Labais sānu plaukts (x1)
26-A	Gatavošanas režģis (x2)
27-A	Sildīšanas palīknis (x1)
28-A	Gaļas zonde (x1)
29-A	Strāvas vada saspraude (x1)
30-A	Strāvas vads — F kontaktdakša (x1)
31-A	Strāvas vads — G kontaktdakša (x1)
A	Skrūve (x18)
B	Paplāksne (x18)
C	Fiksācijas paplāksne (x18)
D	Skrūve (x30)
E	Riteņa ass tapa (x2)
F	Riteņa šķelttapa (x2)
G	Riteņa paplāksne (x2)

PIEZĪME. Izstrādājums tiek pastāvīgi uzlabots, tādēļ daļas var tikt mainītas bez iepriekšēja paziņojuma.

Shematiskais attēls ir sniegts nākamajā lapā.

MODELIS	SAMONTĒTA IERĪCE (PxAxD)	IERĪCES SVARS	GATAVOŠANAS ZONA	TEMP. DIAPAZONS	DIGITĀLĀS FUNKCIJAS
PB PB550G	1227mm x 1195mm x 868mm / 48,3" x 47" x 34,17"	55,7 kg / 122,8 mārc	Galvenā - 2580,6 cm <sup>2</sup> / 400 kvadrātcollas Augšējais plaukts - 920 cm <sup>2</sup> / 142,6 kvadrātcollas <b>KOPĀ - 3500,6 cm<sup>2</sup> / 542,6 kvadrātcollas</b>	82-260°C / 180-500°F	Desmit temperatūras priekšiestatījumi, palāides un dzesēšanas cikli, elektriskais deglis

# PB550G GRILA REZERVES DAĻAS



## PB700G GRILA REZERVES DAĻAS

Daļas Nr.	Apraksts
1-A	Vāka aizturis (x1)
2-A	Vāka rokturis (x1)
3-A	Vāka roktura slīpā mala (x2)
4-A	Galvenais karkass (x1)
5-A	Tvertnes montāža (x1)
6-A	Regulators cepšanai liesmās (x1)
7-A	Regulatora rokturis cepšanai liesmās (x1)
8-A	Slīdnis cepšanai liesmās (x1)
9-A	Galvenā plāksne cepšanai liesmās (x1)
10-A	Priekšējā kreisā kāja (x1)
11-A	Aizmugurējā kreisā kāja (x1)
12-A	Priekšējā labā kāja (x1)
13-A	Aizmugurējā labā kāja (x1)
14-A	Priekšējās kreisās kājas apdares plāksne (x1)
15-A	Aizmugurējās kreisās kājas apdares plāksne (x1)
16-A	Ritenis (x2)
17-A	Apakšējā labā atbalsta plāksne (x1)
18-A	Apakšējā kreisā atbalsta plāksne (x1)
19-A	Īsā atbalsta plāksne (x2)
20-A	Priekšējā garā atbalsta plāksne (x1)

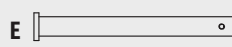
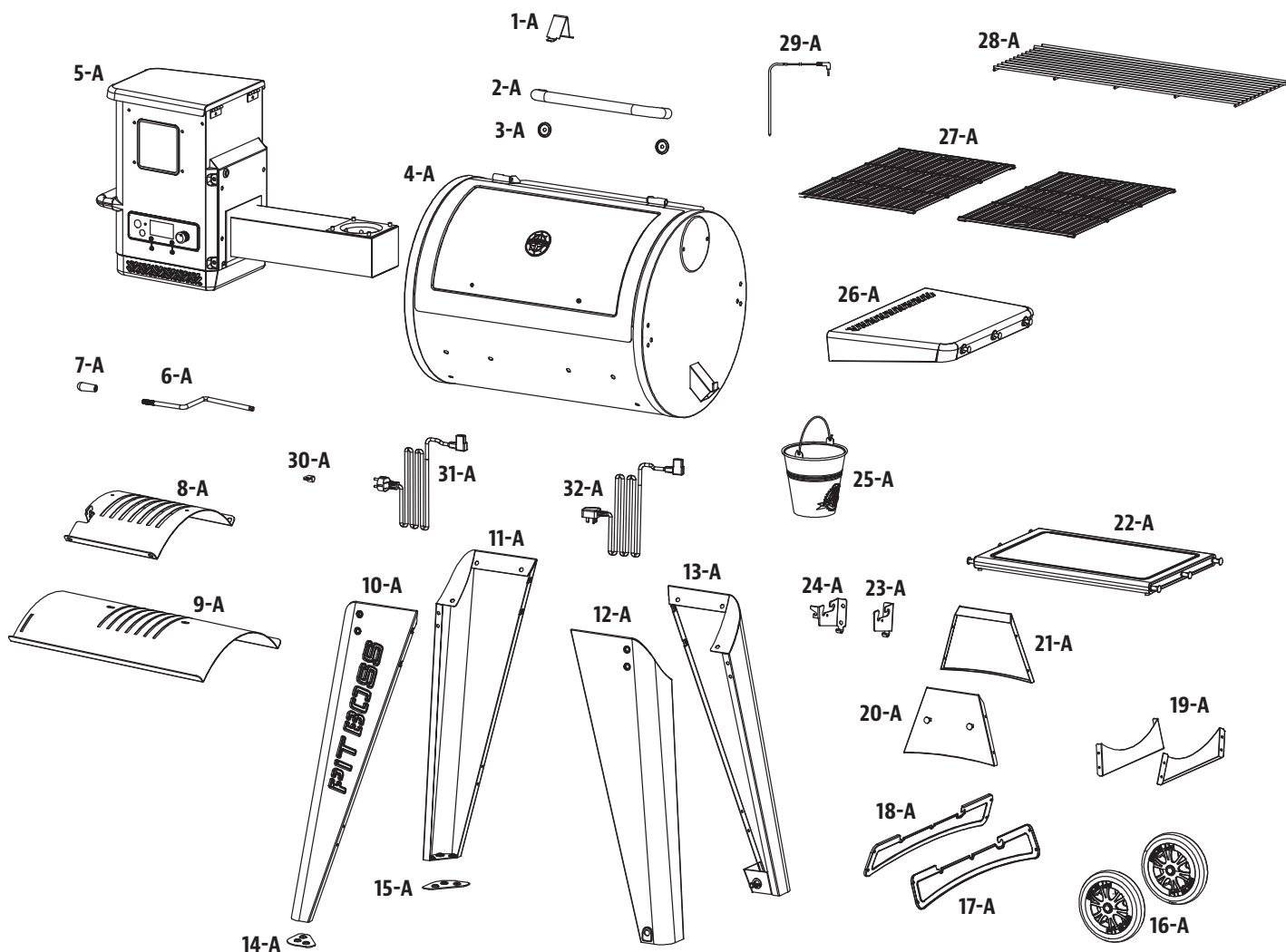
Daļas Nr.	Apraksts
21-A	Aizmugurējā garā atbalsta plāksne (x1)
22-A	Priekšējais plaukts (x1)
23-A	Priekšējā plaukta labais kronšteins (x1)
24-A	Priekšējā plaukta kreisais kronšteins (x1)
25-A	Taukvielu spainis (x1)
26-A	Labais sānu plaukts (x1)
27-A	Gatavošanas režģis (x2)
28-A	Sildīšanas paliktnis (x1)
29-A	Gaļas zonde (x1)
30-A	Strāvas vada saspraude (x1)
31-A	Strāvas vads — F kontaktdakša (x1)
32-A	Strāvas vads — G kontaktdakša (x1)
A	Skrūve (x18)
B	Paplāksne (x18)
C	Fiksācijas paplāksne (x18)
D	Skrūve (x30)
E	Riteņa ass tapa (x2)
F	Riteņa šķelttapa (x2)
G	Riteņa paplāksne (x2)

PIEZĪME. Izstrādājums tiek pastāvīgi uzlabots, tādēļ daļas var tikt mainītas bez iepriekšēja paziņojuma.

Schematisks attēls ir sniegts nākamajā lapā.

MODELIS	SAMONTĒTA IERĪCE (PxAxD)	IERĪCES SVARS	GATAVOŠANAS ZONA	TEMP. DIAPAZONS	DIGITĀLĀS FUNKCIJAS
PB PB700G	1388mm x 1195mm x 940mm / 54,6" x 47" x 37"	66,5 kg / 146,8 mārc	Galvenā - 3109 cm <sup>2</sup> / 482 kvadrātcollas Augšējais plaukts - 1341 cm <sup>2</sup> / 208 kvadrātcollas <b>KOPĀ - 4450 cm<sup>2</sup> / 690 kvadrātcollas</b>	82-260°C / 180-500°F	Desmit temperatūras priekšiestatījumi, palaišanas un dzesēšanas cikli, elektriskais deglis

# PB700G GRILA REZERVES DAĻAS



## PB850G GRILA REZERVES DAĻAS

Daļas Nr.	Apraksts
1-A	Vāka aizturis (x1)
2-A	Vāka rokturis (x1)
3-A	Vāka roktura slīpā mala (x2)
4-A	Galvenais karkass (x1)
5-A	Tvertnes montāža (x1)
6-A	Regulators cepšanai liesmās (x1)
7-A	Regulatora rokturis cepšanai liesmās (x1)
8-A	Slīdnis cepšanai liesmās (x1)
9-A	Galvenā plāksne cepšanai liesmās (x1)
10-A	Priekšējā kreisā kāja (x1)
11-A	Aizmugurējā kreisā kāja (x1)
12-A	Priekšējā labā kāja (x1)
13-A	Aizmugurējā labā kāja (x1)
14-A	Priekšējās kreisās kājas apdares plāksne (x1)
15-A	Aizmugurējās kreisās kājas apdares plāksne (x1)
16-A	Grozāmais ritenītis ar bremzēm (x2)
17-A	Ritenis (x2)
18-A	Apakšējā labā atbalsta plāksne (x1)
19-A	Apakšējā kreisā atbalsta plāksne (x1)
20-A	Īsā atbalsta plāksne (x2)
21-A	Priekšējā garā atbalsta plāksne (x1)

Daļas Nr.	Apraksts
22-A	Aizmugurējā garā atbalsta plāksne (x1)
23-A	Priekšējais plaukts (x1)
24-A	Priekšējā plaukta labais kronšteins (x1)
25-A	Priekšējā plaukta kreisais kronšteins (x1)
26-A	Taukvielu spainis (x1)
27-A	Labais sānu plaukts (x1)
28-A	Gatavošanas režģis A (x1)
29-A	Gatavošanas režģis B (x2)
30-A	Sildišanas paliktņi (x1)
31-A	Gaļas zonde (x1)
32-A	Strāvas vada saspraude (x1)
33-A	Strāvas vads — F kontaktdakša (x1)
34-A	Strāvas vads — G kontaktdakša (x1)
A	Skrūve (x18)
B	Paplāksne (x18)
C	Fiksācijas paplāksne (x18)
D	Skrūve (x30)
E	Skrūve (x4)
F	Riteņa ass tapa (x2)
G	Riteņa šķelttapa (x2)
H	Riteņa paplāksne (x2)

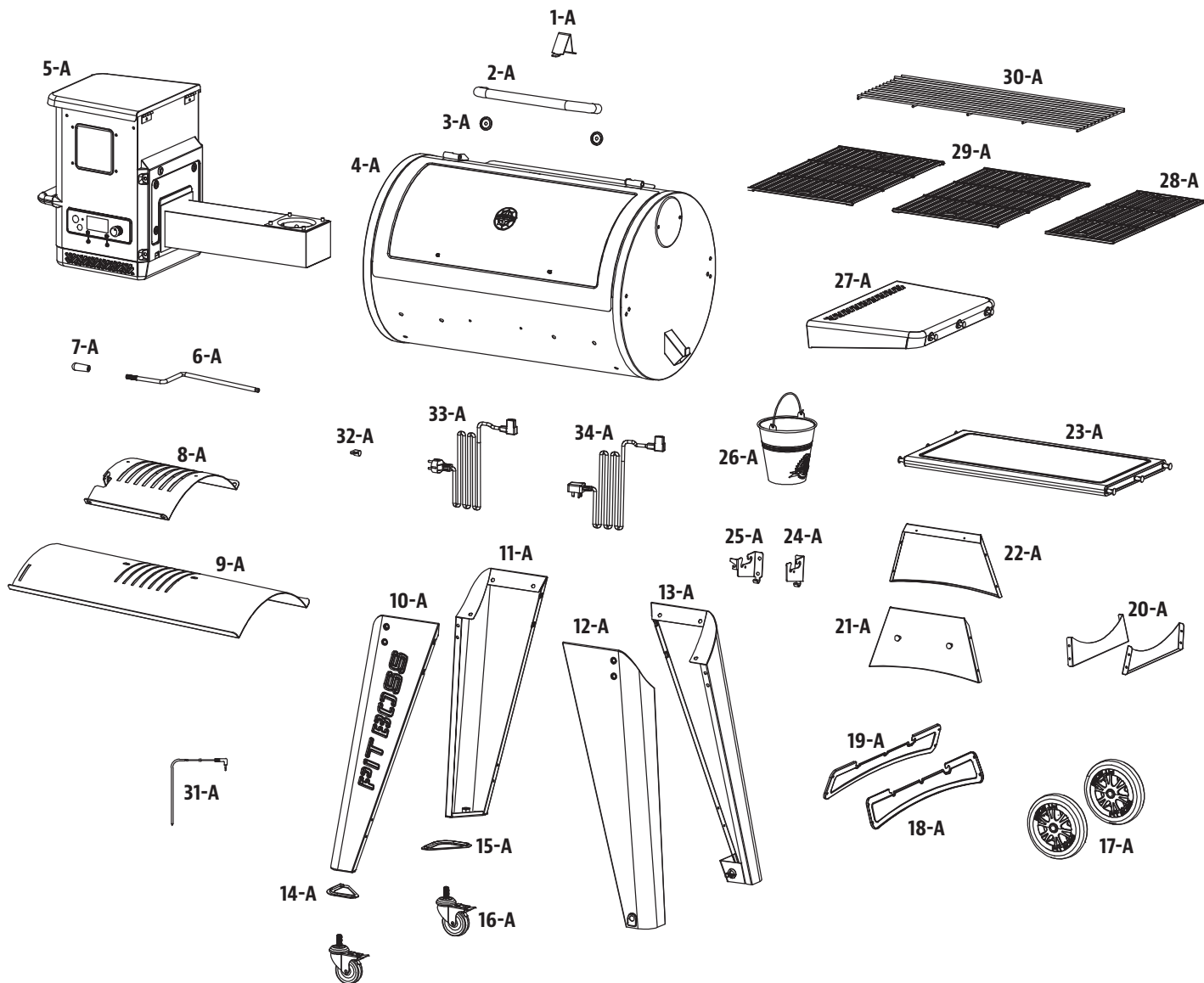
PIEZĪME. Izstrādājums tiek pastāvīgi uzlabots, tādēļ daļas var tikt mainītas bez iepriekšēja paziņojuma.

Shematiskais attēls ir sniegts nākamajā lapā.

MODELIS	SAMONTĒTA IERĪCE (PxAxD)	IERĪCES SVARS	GATAVOŠANAS ZONA	TEMP. DIAPAZONS	DIGITĀLĀS FUNKCIJAS
PB PB850G	1472mm x 1195mm x 940mm / 57,9" x 47" x 37"	74,5kg / 164,24 mārc	Galvenā - 3825,8 cm <sup>2</sup> / 593 kvadrātcollas Augšējais plaukts - 1845,2 cm <sup>2</sup> / 286 kvadrātcollas <b>KOPĀ - 5671 cm<sup>2</sup> / 879 kvadrātcollas</b>	82-260°C / 180-500°F	Desmit temperatūras priekšiestatījumi, palāides un dzesēšanas cikli, elektriskais deglis



# PB850G GRILA REZERVES DAĻAS



# PB1150G GRILA REZERVES DAĻAS

Daļas Nr.	Apraksts
1-A	Vāka aizturis (x1)
2-A	Vāka rokturis (x1)
3-A	Vāka roktura slīpā mala (x2)
4-A	Galvenais karkass (x1)
5-A	Tvertnes montāža (x1)
6-A	Regulators cepšanai liesmās (x1)
7-A	Regulatora rokturis cepšanai liesmās (x1)
8-A	Slidnis cepšanai liesmās (x1)
9-A	Galvenā plāksne cepšanai liesmās (x1)
10-A	Priekšējā kreisā kāja (x1)
11-A	Aizmugurējā kreisā kāja (x1)
12-A	Priekšējā labā kāja (x1)
13-A	Aizmugurējā labā kāja (x1)
14-A	Priekšējās kreisās kājas apdares plāksne (x1)
15-A	Aizmugurējās kreisās kājas apdares plāksne (x1)
16-A	Grozāmais ritenītis ar bremzēm (x2)
17-A	Ritenis (x2)
18-A	Apakšējā labā atbalsta plāksne (x1)
19-A	Apakšējā kreisā atbalsta plāksne (x1)
20-A	Īsā atbalsta plāksne (x2)
21-A	Priekšējā garā atbalsta plāksne (x1)
22-A	Aizmugurējā garā atbalsta plāksne (x1)

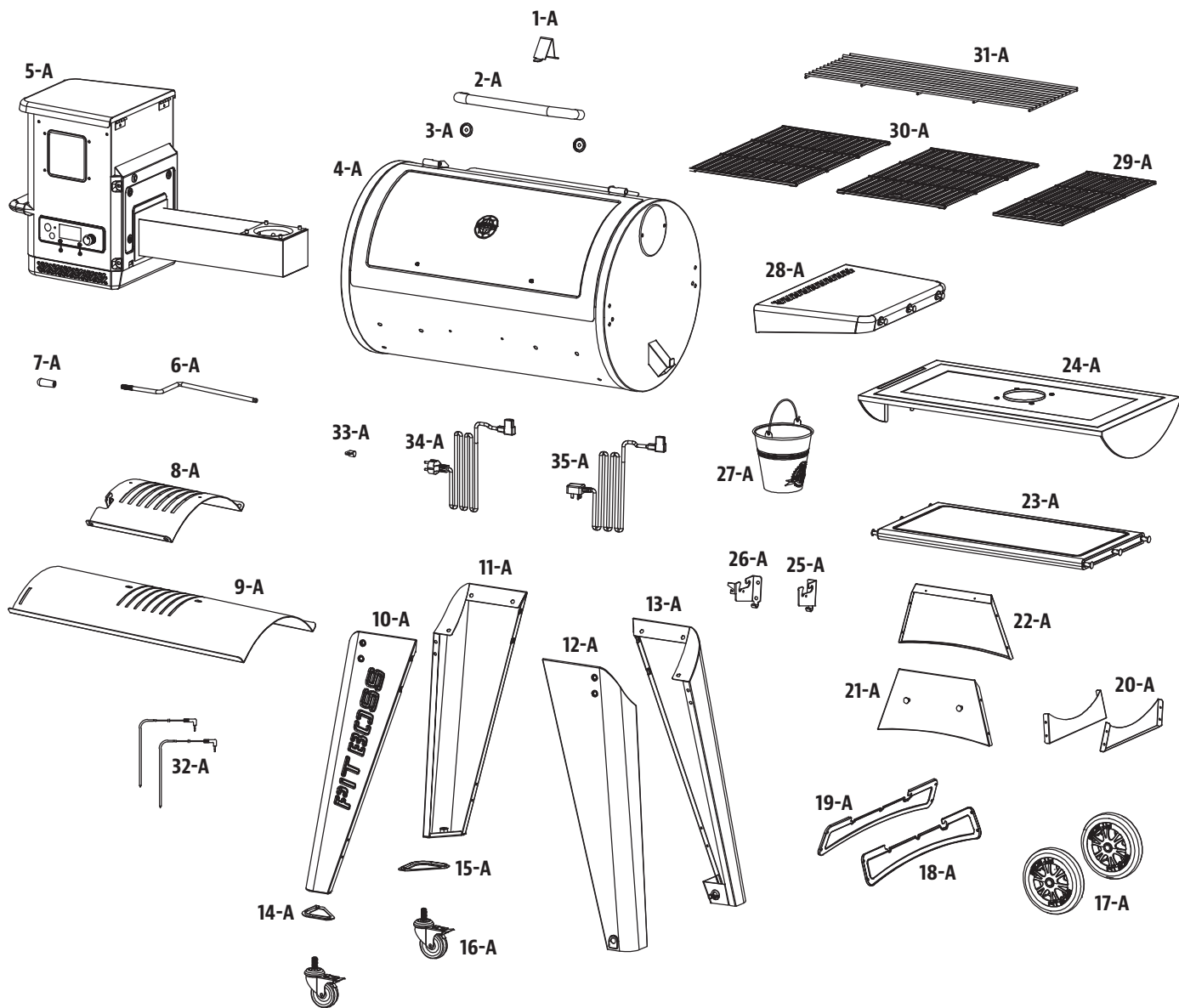
Daļas Nr.	Apraksts
23-A	Priekšējais plaukts (x1)
24-A	Izkliedētāja plāksne (x1)
25-A	Priekšējā plaukta labais kronšteins (x1)
26-A	Priekšējā plaukta kreisais kronšteins (x1)
27-A	Taukvielu spainis (x1)
28-A	Labais sānu plaukts (x1)
29-A	Gatavošanas režģis A (x1)
30-A	Gatavošanas režģis B (x2)
31-A	Sildīšanas paliktņi (x1)
32-A	Gaļas zonde (x2)
33-A	Strāvas vada saspraude (x1)
34-A	Strāvas vads — F kontaktdakša (x1)
35-A	Strāvas vads — G kontaktdakša (x1)
A	Skrūve (x18)
B	Paplāksne (x18)
C	Fiksācijas paplāksne (x18)
D	Skrūve (x30)
E	Skrūve (x6)
F	Riteņa ass tapa (x2)
G	Riteņa šķelttapa (x2)
H	Riteņa paplāksne (x2)

PIEZĪME. Izstrādājums tiek pastāvīgi uzlabots, tādēļ daļas var tikt mainītas bez iepriekšēja paziņojuma.

Shematiskais attēls ir sniegts nākamajā lapā.

MODELIS	SAMONTĒTA IERĪCE (PxAxD)	IERĪCES SVARS	GATAVOŠANAS ZONA	TEMP. DIAPAZONS	DIGITĀLĀS FUNKCIJAS
PB PB1150G	1622mm x 1195mm x 940mm / 63,86" x 47" x 37"	84 kg / 185,19 mārc	Galvenā - 4587,1 cm <sup>2</sup> / 711 kvadrātcollas Augšējais plaukts - 2883,9 cm <sup>2</sup> / 447 kvadrātcollas <b>KOPĀ - 7471 cm<sup>2</sup> / 1158 kvadrātcollas</b>	82-260°C / 180-500°F	Desmit temperatūras priekšiestatījumi, palaides un dzesēšanas cikli, elektriskais deglis

# CHĘCI ZAMIENNE GRILLA PB1150G

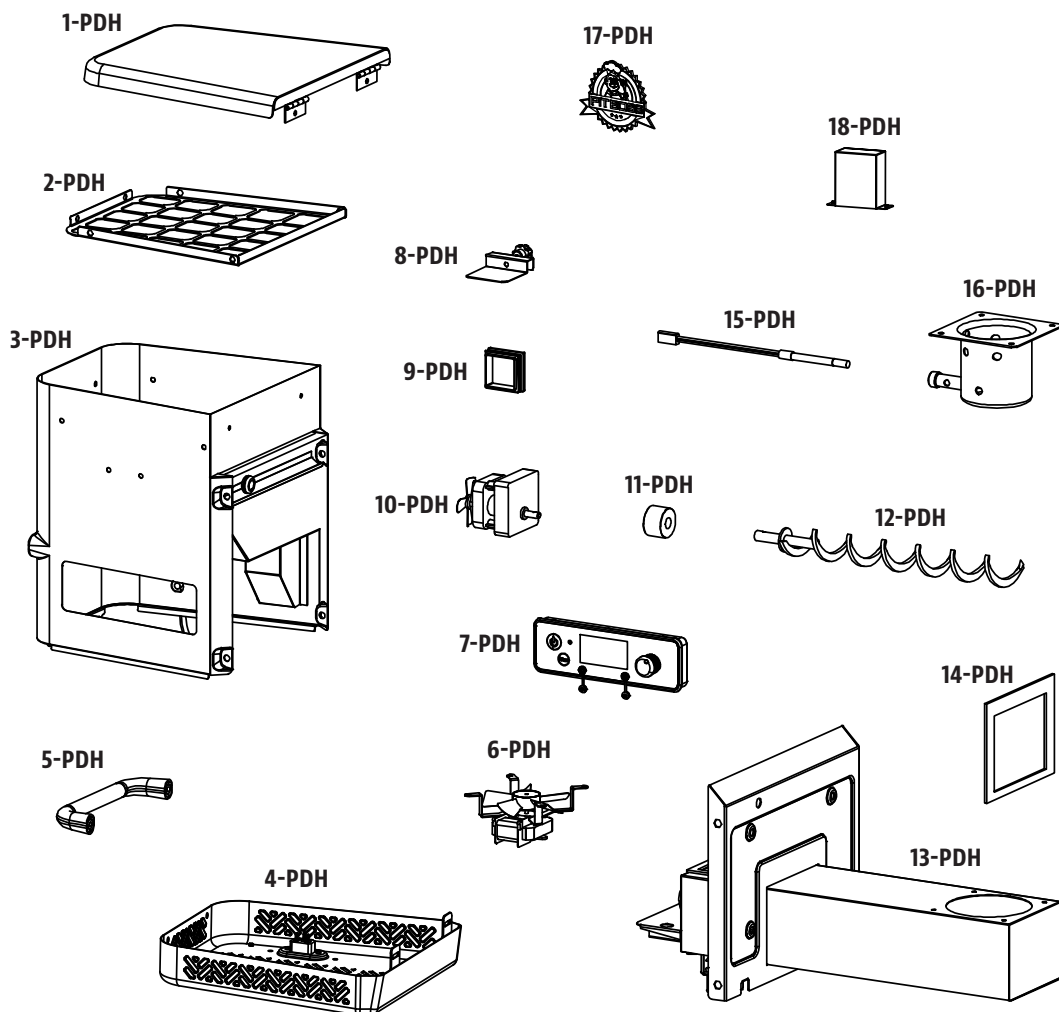


# PB550G TVERTNES REZERVES DAĻAS

Daļas Nr.	Apraksts
1-PDH	Tvertnes vāks (x1)
2-PDH	Tvertnes drošības siets (x1)
3-PDH	Tvertnes kārbas korpuss (x1)
4-PDH	Tvertnes piekļuves panelis (x1)
5-PDH	Tvertnes rokturis (x1)
6-PDH	Degšanas ventilators (x1)
7-PDH	Pit Boss® vadības panelis (x1)
8-PDH	Nolaižamā kanāla plāksne (x1)
9-PDH	Nolaižamā kanāla vāks (x1)

Daļas Nr.	Apraksts
10-PDH	Vītnes motors (x1)
11-PDH	Neilona ievads (x1)
12-PDH	Vītnes posmu montāža (x1)
13-PDH	Vītnes kārbas korpuss (x1)
14-PDH	Tvertnes korpusa paplāksne (x1)
15-PDH	Deglis (x1)
16-PDH	Degšanas trauks (x1)
17-PDH	Nosaukuma plāksne (x1)
18-PDH	Strāvas vada ūdensizturīgais vāks (x1)

PIEZĪME. Izstrādājums tiek pastāvīgi uzlabots, tādēļ daļas var tikt mainītas bez iepriekšēja paziņojuma.

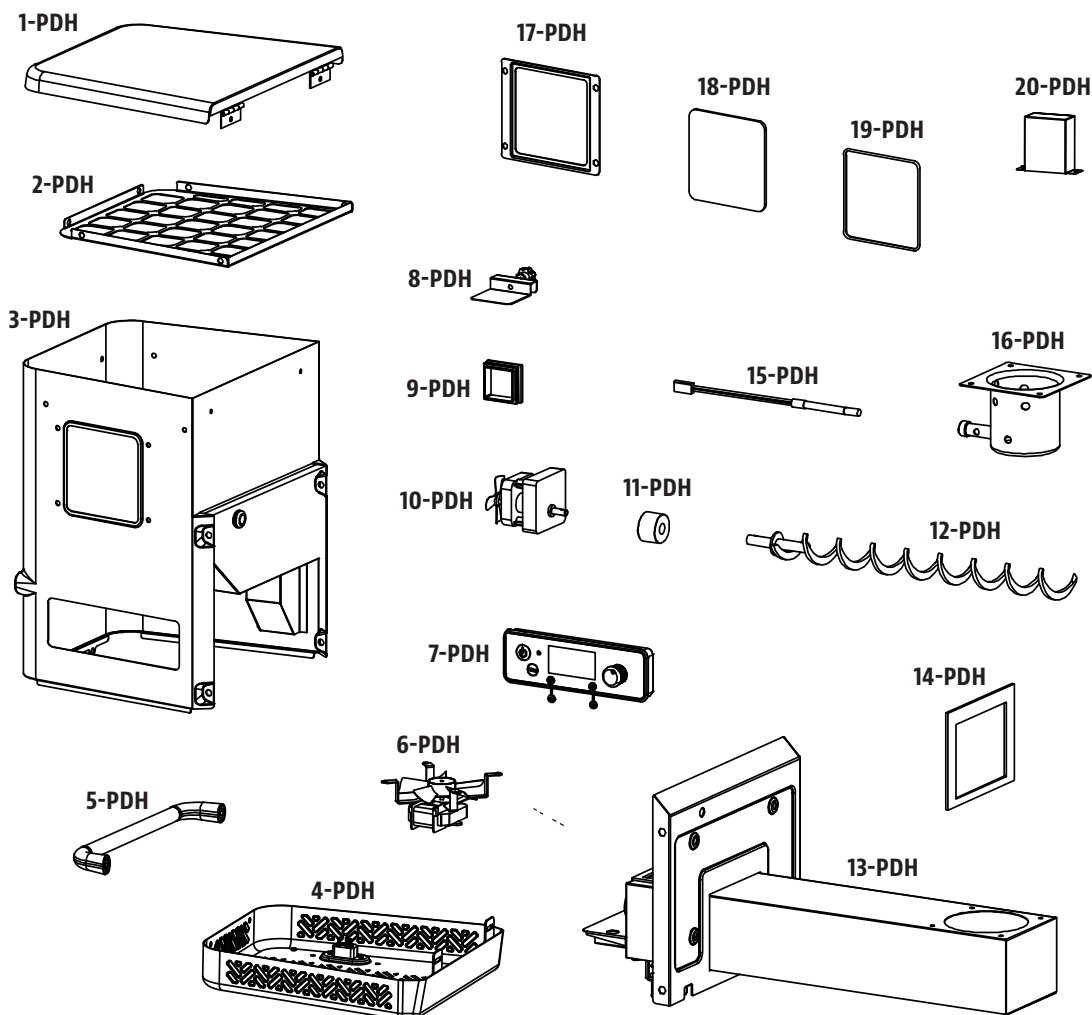


# PB700G / PB850G / PB1150G TVERTNES REZERVES DAĻAS

Daļas Nr.	Apraksts
1-PDH	Tvertnes vāks (x1)
2-PDH	Tvertnes drošības siets (x1)
3-PDH	Tvertnes kārbas korpuss (x1)
4-PDH	Tvertnes piekļuves panelis (x1)
5-PDH	Tvertnes rokturis (x1)
6-PDH	Degšanas ventilators (x1)
7-PDH	Pit Boss® vadības panelis (x1)
8-PDH	Nolaižamā kanāla plāksne (x1)
9-PDH	Nolaižamā kanāla vāks (x1)
10-PDH	Vītnes motors (x1)

Daļas Nr.	Apraksts
11-PDH	Neilona ievads (x1)
12-PDH	Vītnes posmu montāža (x1)
13-PDH	Vītnes kārbas korpuss (x1)
14-PDH	Tvertnes korpusa paplāksne (x1)
15-PDH	Deglis (x1)
16-PDH	Degšanas trauks (x1)
17-PDH	Stikla plāksne (x1)
18-PDH	Stikls (x1)
19-PDH	Gumijas blīve (x1)
20-PDH	Strāvas vada ūdensizturīgais vāks (x1)

PIEZĪME. Izstrādājums tiek pastāvīgi uzlabots, tādēļ daļas var tikt mainītas bez iepriekšēja paziņojuma.



# GARANTĪJA

## NOSACĪJUMI

Visiem Pit Boss® koksnes granulu griliem, kuru ražotājs ir Dansons Inc., ierobežota garantija tiek nodrošināta no pārdošanas datuma sākotnējam īpašniekam. Garantijas segums sākas pirkuma sākotnējā datumā, un garantijas apstiprināšanai ir nepieciešams pirkuma datuma pierādījums vai oriģinālā pārdošanas rēķina kopija. Ja klienti nevar nodrošināt pirkuma apliecinājumu vai ir beigusies garantija, klientiem tiek piemērota maksa par daļām, sūtīšanu un apstrādi.

Dansons nodrošina piecu (5) gadu garantiju pret visu daļu defektiem un izstrādi, kā arī piecu (5) gadu garantiju elektrokomponentiem. Dansons garantē, ka nevienai daļai nebūs materiāla un izstrādes defektu sākotnējā pircēja izmantošanas un piederības periodā. Garantija neaptver nolietojuma un nodiluma izraisītus bojājumus, piemēram, skrāpējumus, iespiedumus, iesitumus, robus vai sīkas kosmētiskas plaisas. Šis grila estētiskā izskata izmaiņas neietekmē tā veiktspēju. Nevienas daļas remonta vai nomaiņas garantija nepārsniedz ierobežoto garantiju, kas ir pieci (5) gadi kopš pirkuma datuma.

Garantijas termiņa laikā Dansons saistības attiecas tikai uz tādu komponentu nomaiņas nodrošināšanu, kuriem ir konstatēts defekts un/vai radusies atteice. Garantijas perioda laikā Dansons nepiemēro maksu par atgriezto daļu remontu vai nomaiņu (ar sūtīšanas priekšapmaksu), ja pārbaudes laikā Dansons konstatē, ka daļai(-ām) ir defekts. Dansons neuzņemas atbildību par transportēšanas izmaksām, darba izmaksām un eksporta nodevām. Izņemot šajos garantijas nosacījumos norādīto, daļu remonts vai nomaiņa šeit iepriekš minētajā veidā un laika periodā aptver visu tiešo un atvasināto Dansons saistību un pienākumu pret jums izpildi.

Dansons veic visus piesardzības pasākumus, lai izmantotu materiālus, kas aizkavē rūsēšanu. Tomēr pat ar šo aizsardzību aizsargpārklājumus var nelabvēlīgi ietekmēt dažādas vielas un apstākļi, kas nav Dansons kontrolē. Augsta temperatūra, pārmērīgs mitrums, hlors, industriālie izgarojumi, mēslojums, zālāja pesticīdi un sāļi ir tikai dažas no vielām, kas var ietekmēt metāla pārklājumus. Šo iemeslu dēļ garantija neattiecas uz rūsū vai oksidāciju, ja vien grila komponentam nav zudusi struktūras viengabalainība. Ja rodas kādi no iepriekš minētajiem apstākļiem, lūdzu, skatiet kopšanas un apkopes sadaļu, lai uzzinātu, kā paildzināt ierīces darbību. Dansons iesaka izmantot grila pārsegu, kad grils netiek lietots.

Šīs garantijas pamatā ir grila normāla izmantošana sadzīvē un apkalpošanā, un ierobežotās garantijas segums neattiecas uz grilu, kas tiek izmantots komerciāliem nolūkiem.

## IZŅĒMUMI

Pit Boss® griliem nav ne rakstiskas, ne netiešas snieguma garantijas, jo ražotājs nevar kontrolēt uzstādīšanu, ekspluatāciju, tīrīšanu, apkopi un dedzinātā kurināmā veidu. Šī garantija netiek piemērota un Dansons neuzņemas atbildību, ja jūsu ierīce nav uzstādīta, ekspluatēta, tīrīta un uzturēta stingrā atbilstībā šai lietotāja rokasgrāmatai. Ja notiek jebkāda šajā rokasgrāmatā nenorādīta gāzes izmantošana, tas var būt garantijas anulēšanas iemesls. Garantija neattiecas uz bojājumiem un lūzumiem, ko izraisījusi nepienācīga vai nepareiza izmantošana vai modifikācijas.

Ne Dansons, ne pilnvarots Pit Boss® dīleris neuzņemas ne juridisku, ne arī kādu citu atbildību par nejaušiem vai izrietošiem kaitējumiem īpašumam vai personām, kas izriet no šī izstrādājuma izmantošanas. Ja pret Dansons tiek iesniegta prasība, kuras pamatā ir šīs garantijas vai jebkura cita veida tiešas vai netiešas ar likumu noteiktas garantijas pārkāpums, ražotājs nekādā gadījumā neuzņemas atbildību ne par kādiem tiešiem, netiešiem, izrietošiem vai citiem jebkāda rakstura kaitējumiem, kas pārsniedz šī izstrādājuma sākotnējo pirkumu. Visas ražotāja garantijas ir izklāstītas šeit, un ražotājam nevar tikt iesniegtas nekādas prasības par garantiju vai pārstāvību.

Dažās valstīs nav atļauts izslēgt vai ierobežot netiešos vai izrietošos kaitējumus, tāpēc šajā ierobežotajā garantijā izklāstītie ierobežojumi var neattiekties uz jums. Šī ierobežotā garantija jums piešķir specifiskas likumīgās tiesības, un jums var būt citas tiesības, kas dažādās valstīs atšķiras.

## REZERVES DAĻU PASŪTĪŠANA

Lai pasūtītu rezerves daļas, lūdzu, sazinieties ar vietējo Pit Boss® dileri vai apmeklējiet mūsu tiešsaistes veikalu šeit: [www.pitboss-grills.com](http://www.pitboss-grills.com)

## SAZINĀTIET AR KLIENTU APKALPOŠANAS DIENESTU

Ja jums ir jautājumi vai problēmas, sazinieties ar klientu apkalpošanas dienestu pirmdien-svētdien no plkst. 4.00 līdz 20.00 pēc PST (Klusā okeāna piekrastes joslas laika) (EN/FR/ES).

[service@pitboss-grills.com](mailto:service@pitboss-grills.com) | **Bezmaksas tālrunis: 1-877-303-3134** | **Bezmaksas fakss: 1-877-303-3135**

## GARANTIJAS PAKALPOJUMS

Par remontu vai rezerves daļām sazinieties ar tuvāko Pit Boss® dileri. Garantijas prasības noteikšanai saskaņā ar Dansons Inc. prasībām ir nepieciešams pirkuma apliecinājums, tāpēc saglabājiet savu sākotnējo pirkuma čeku vai rēķinu turpmākām atsaucēm. Sava Pit Boss® sērijas un modeļa numuru varat atrast piltuves aizmugurē. Pierakstiet šos numurus zemāk, jo etiķete var nolietoties vai kļūt nesalasāma.

---

MODELIS

---

SĒRIJAS NUMURS

---

PIRKUMA DATUMS

---

PILNVAROTĀIS DĪLERIS

# SAUGOS INFORMACIJA

## **PAGRINDINĖS PRIETAISO GAISRŲ PRIEŽASTYS – PRASTA TECHNINĖ PRIEŽIŪRA IR SAUGAUS ATSTUMO IKI DEGIŲ MEDŽIAGŲ NEIŠLAIKYMAS. YPAČ SVARBU, KAD ŠIS PRODUKTAS BŪTŲ NAUDOJAMAS TIK PAGAL TOLIAU PATEIKTAS INSTRUKCIJAS.**

Perskaitykite ir supraskite visą vadovą prieš bandydami surinkti, eksploatuoti arba montuoti gaminį. Taip užtikrinsite maloniausią ir sklandžiausią savo naujojo medžio granulėmis kūrenamos kepsninės eksploatavimą. Taip pat patariame saugoti šį vadovą, jei prireiktų ateityje.

### **PAVOJAI IR ĮSPĖJIMAI**

**Susisiekite su vietos namų asociacijos, pastato arba priešgaisrinės apsaugos pareigūnais ar kompetentinga institucija, kad gautumėte jūsų regione reikiamus leidimus, misiją arba informacijos apie montavimo apribojimus, pvz., kepsninė montuojama ant degaus paviršiaus, patikros reikalavimus arba galimybę naudoti prietaisą.**

1. Nuo degių konstrukcijų iki kepsninės šonų ir nuo kepsninės galo iki degių konstrukcijų reikia išlaikyti mažiausiai 914 mm (36 col.) tarpą. **Nemontuokite prietaiso ant degių grindų arba grindų, apsaugotų degiomis dangomis, nebent iš kompetentingos institucijos gavote tinkamus leidimus.** Nenaudokite šio prietaiso viduje arba uždaroje, nevedinamoje srityje. Šio medžio granulėmis kūrenamo prietaiso negalima pastatyti po kabančiomis degiomis lubomis arba iškyša. Laikykite savo kepsninę vietoje, kurioje nėra degių medžiagų, benzino ir kitų degių garų ir skysčių.

**Užsidegus riebalams, IŠJUNKITE kepsninę ir nenuimkite dangčio, kol liepsna užges. Atjunkite maitinimo laidą nuo prijungto lizdo. Nepilkite vandens ant prietaiso. Nebandykite nuslopinti ugnies. Netoliese laikykite universalų (ABC klasės) patvirtintą gesintuvą. Įvykus nekontroliuojamam gaisrui, susisiekite su priešgaisrine tarnyba.**

2. Laikykite elektros laidus ir degalus atokiau nuo šildymo paviršių. Nenaudokite kepsninės lietuje arba netoli vandens šaltinių.
3. Jei ilgą laiką laikėte arba nenaudojote prietaiso, patikrinkite, ar grotelėse nėra kliūčių, piltuve – pašalinių objektų ir ar niekas neblokuoja ventiliatoriaus oro įleidimo angos, kamino arba cilindro gale esančių išmetamųjų angų. Prieš naudodami nuvalykite. Reguliari priežiūra ir techninė priežiūra pailgina jūsų prietaiso naudojimo trukmę. **Jei kepsninė laikoma lauke lietingo arba didelės drėgmės sezono metu, būtina užtikrinti, kad vanduo nepatenka į piltuvą.** Sušlapusios arba sudrėkusios medžio granulės išsiplės, pradės irti ir gali užkirsti tiekimo sistemą. Visada atjunkite nuo maitinimo prieš atlikdami techninės priežiūros darbus.

**Netransportuokite kepsninės, kai ją naudojate arba jei ji karšta. Prieš judindami įsitinkite, kad ugnis visiškai užgesusi ir kepsninė visiškai atvėsusi.**

4. Naudojant kepsninę, rekomenduojama mėvėti karščiui atsparias orkaitės pirštines. Nenaudokite priedų, neskirtų naudoti su šiuo prietaisu. Nedėkite kepsninės dangčio arba degaus objekto į daiktų laikymo vietą, esančią po kepsnine.
5. Kad pirštai, rūbai arba kiti objektai nepaliestų sraigtinės tiekimo sistemos, prietaise įrengtas metalinis saugos skydelis. Jis pritvirtintas prie piltuvo vidaus. Šio skydelio negalima pašalinti, nebent tai nurodė klientų aptarnavimo tarnyba arba įgaliotas pardavėjas.

**Šio prietaiso nerekomenduojama naudoti vaikams, mažesnių fizinių, jutiminių ar psichinių gebėjimų asmenims arba asmenims, kuriems trūksta patirties ir žinių, nebent juos tiesiogiai prižiūri arba instruktuoja už jų saugumą atsakingas asmuo.**

6. Kepsninės dalys gali labai įkaisti, todėl galima rimtai susižaloti. Naudojant neleiskite greta stovėti vaikams ir augintiniams.
7. Nedidinkite uždegiklio angų arba ugnies indų. Nesilaikant šio įspėjimo, gali kilti gaisro pavojus ir galima susižaloti. Taip pat jūsų garantija nebegalios.
8. Gaminiai gali turėti aštrių briaunų ar kitų vietų. Palietus galima susižeisti. Elkitės atsargiai.



## PELENŲ ŠALINIMAS

Pelenus reikėtų dėti į metalinę talpą su sandariu dangčiu. Uždarą pelenų talpą reikėtų pastatyti ant nedegių grindų arba žemės, gerokai atokiau nuo visų degių medžiagų, kol pelenus išmesite. Kai pelenai šalinami užkasant juos žemėje arba kitaip išbarstant, jie turi būti laikomi uždaroje talpoje, kol visi cilindrai visiškai atvės.

## MEDŽIO GRANULĖS (KURAS)

Šis granulėmis kūrenamas prietaisas skirtas ir patvirtintas naudoti tik visiškai natūralų medžio granulių kurą. Kūrendami šį prietaisą su bet kokios kitos rūšies kuru, anuliuosite garantiją ir saugos sąrašą. Turite naudoti tik visiškai natūralias medžio granules, skirtas granulėmis kūrenamoms kepsninėms. Nenaudokite kuro su priedais. Medžio granulės greitai sudrėksta ir turi būti visada laikomos sandarioje talpoje. Jei laikote kepsninę nenaudojamą ilgą laiką, rekomenduojame pašalinti visas granules iš kepsninės piltuvo ir sraigto, kad sistema neužsikimštų.

**Nenaudokite spirito, benzino, gazolino, degiojo skysčio arba žibalo kepsninės uždegimui arba ugnies atkūrimui. Kai prietaisą naudojate, visus tokius skysčius laikykite atokiau nuo prietaiso.**

Dokumento spausdinimo metu kepsninės medžio granulėms nebuvo taikomas joks pramonės standartas, nors daugelis granulių gamyklų naudoja tuos pačius standartus medžio granulėms buitiniam naudojimui gaminti. Išsamesnės informacijos ieškokite [www.pelletheat.org](http://www.pelletheat.org) arba kreipkitės į „*Pellet Fuel Institute*“.

Susisiekite su savo vietos pardavėju dėl granulių kokybės jūsų regione ir norėdami informacijos apie prekės ženklo kokybę. Kadangi naudojamų granulių kokybės nekontroliuojame, neprisiimame jokios atsakomybės už žalą, kurią sukelia prasta kuro kokybė.

## KREOZOTAS

Kreozotas arba suodžiai yra į degutą panaši medžiaga. Degdama ji išskiria juodus dūmus su juodais likučiais. Suodžiai arba kreozotas susiformuoja, kai prietaisas yra netinkamai naudojamas, pavyzdžiui, užsiblokavus ventiliatoriui, nevalant ir neprižiūrint degimo srities, sudrėkus granulėms arba prasto oro ir degalų degimo.

Šį prietaisą pavojinga naudoti, jei liepsna tampa tamsi, suodina arba jei ugnies indas per daug pripildomas granulėmis. Užsidegus kreozotui, liepsna yra labai karšta ir nekontroliuojama, panašiai kaip užsidegus riebalams. Taip įvykus, išjunkite prietaisą, leiskite jam visiškai atvėsti, tuomet atlikite techninę priežiūrą ir valymą. Paprastai ši medžiaga kaupiasi aplink išmetimo angas.

Jei kreozotas susiformavo prietaise, leiskite jam įkaisti nustačius žemą temperatūrą, išjunkite prietaisą, tuomet nuvalykite susikaupusią medžiagą rankšluosčiu. Kaip ir degutą, šią medžiagą žymiai lengviau valyti, kai ji šilta, kadangi ji suskystėja.

## ANGLIES MONOKSIDAS („TYLUSIS ŽUDIKAS“)

Anglies monoksidas yra bespalvės, bekvapės, beskonės dujos, kurios susiformuoja degant dujoms, medienai, propanui, akmens anglims arba kitam kurui. Anglies monoksidas mažina kraujo gebėjimą pernešti deguonį. Mažas deguonies kiekis kraujyje gali lemti galvos skausmą, svaigulį, silpnumą, pykinimą, vėmimą, mieguistumą, sutrikimą, sąmonės netekimą arba mirtį. Laikykitės šių nurodymų, kad neapsinuodytumėte šiomis bespalvėmis, bekvapėmis dujomis ir jomis neapsinuodytų jūsų artimieji ir kiti asmenys:

- Kreipkitės į gydytoją, jei jūs arba kiti asmenys pajaučiate peršalimo arba gripo simptomus gamindami šiuo prietaisu arba būdami netoli jo. Apsinuodijimas anglies monoksidu (lengvai supainiojamas su peršalimu arba gripu) dažnai nustatomas per vėlai.
- Apsinuodijimo anglies monoksidu poveikis sustiprėja vartojant alkoholį arba narkotikus.

Anglies monoksidas ypač nuodingas motinai ir vaikui nėštumo metu, kūdikiams, pagyvenusiems, rūkantiems ir žmonėms, turintiems kraujo arba kraujotakos sistemos sutrikimų, pvz., sergantiems anemija arba širdies liga.

## SAUGOS SĄRAŠAS

Atitinka EN 60335-2-102:2016, EN 60335-1:2012 + A11:2014 + A13:2017 + A1: 2021 + A14: 2021 + A2: 2021, EN62233: 2008, EN 55014-1:2017, EN 61000-3-2:2014, EN 61000-3-3:2013, EN 55014-2:2015.



# TURINYS

Saugos informacija .....	320	Atsarginės dalys	
Naudojimo instrukcijos		PB550G kepsninės atsarginės dalys .....	334
Kepsninės aplinka.....	323	PB700G kepsninės atsarginės dalys .....	336
Kepsninės temperatūros intervalai.....	324	PB850G kepsninės atsarginės dalys .....	338
Valdymo plokštės veikimo supratimas .....	324	PB1150G kepsninės atsarginės dalys .....	340
Zondų veikimo supratimas .....	325	PB550G piltuvo atsarginės dalys.....	342
„P“ nustatymo veikimo supratimas.....	326	PB700G / PB850G / PB1150G piltuvo atsarginės dalys.....	343
Piltuvo pildymo tvarka.....	326	Garantija	
Naudojimas pirmą kartą – kepsninės nudeginimas.....	326	Sąlygos.....	344
Automatinio paleidimo procedūra .....	326	Išimtys .....	344
Rankinio paleidimo procedūra .....	327	Atsarginių dalių užsakymas .....	345
Kepsninės išjungimas .....	327	Susisiekimas su klientų aptarnavimo tarnyba .....	345
Techninė priežiūra.....	328	Garantinis aptarnavimas .....	345
Patarimai ir metodai .....	330		
Gedimų diagnostika ir šalinimas .....	331		
Elektros laidų schema .....	333		



## PASTABA DĖL AUTORIAUS TEISIŲ

Autoriaus teisės 2021 m. Visos teisės saugomos. Jokios šio vadovo dalies negalima kopijuoti, perduoti, perrašyti, saugoti paieškos sistemoje bet kokia forma arba bet kokiomis priemonėmis be aiškaus rašytinio leidimo

### Dansons

3411 North 5th Avenue, Suite 500, Phoenix, AZ, USA 85013  
sales@pitboss-grills.com | service@pitboss-grills.com  
[www.pitboss-grills.com](http://www.pitboss-grills.com)

### Klientų aptarnavimo tarnyba

Pirmadienis–sekmadienis 4:00–20:00 val. PST (EN/FR/ES)

**Nemokamas telefonas: 1-877-303-3134, faksas: 1-877-303-3135**

# NAUDOJIMO INSTRUKCIJOS

Atsižvelgiant į šiandienos gyvenimo būdą, kuriuo siekiama valgyti sveiką ir maistingą maistą, reikia apsvarstyti šį veiksnį – suvartojamo riebalų kiekio mažinimo svarba. Vienas geriausių būdų sumažinti riebalų kiekį mityboje – naudoti mažai riebalų naudojančią gaminimo būdą, pvz., kepimą ant grotelių. Kadangi granulėmis kūrenamoje kepsninėje naudojamos natūralios medžio granulės, malonus medienos kvapas įsigeria į mėsą, taip sumažėja noras vartoti daug cukraus turinčius padažus. Pastebėsite, kad šiame vadove pabrėžiama kepti maistą nustačius LOW (žema) arba MEDIUM (vidutinė) temperatūros nustatymus.

## KEPSNINĖS APLINKA

### 1. KUR PASTATYTI KEPSNINĘ

Kaip ir visiems lauko prietaisams, jūsų kepsninei ir kepimo laikui labai svarbios oro sąlygos.

Visi „Pit Boss“ prietaisai turi būti 914 mm (36 col.) atstumu nuo degių konstrukcijų ir šis atstumas turi būti išlaikytas, kai kepsninė naudojama. Šio prietaiso negalima statyti po kabančių degių lubų arba iškyšos. Laikykite savo kepsninę vietoje, kurioje nėra degių medžiagų, benzino ir kitų degių garų bei skysčių.

### 2. KEPIMAS ŠALTU ORU

Atšalę orai nereiškia, kad kepimo ant grotelių sezonas baigėsi! Gaivus vėsus oras ir dieviškas rūkyto maisto aromatas padės įveikti žiemos melancholiją.

Vadovaukitės šiais pasiūlymais norėdami mėgautis kepsnine šaltesniu oru:

- Jei rūkymas nepavyksta esant žemai temperatūrai, šiek tiek ją padidinkite, kad gautumėte tokius pačius rezultatus.
- Susitvarkykite – pasiruoškite viską, ko reikia, virtuvėje prieš išeidami į lauką. Žiemą perkelkite kepsninę į vietą, apsaugotą nuo vėjo ir tiesioginio šalčio. Patikrinkite vietos reglamentus, kad išsiaiškintumėte, kokių atstumu jūsų kepsninė turi būti pastatyta nuo namų ir (arba) kitų konstrukcijų. Padėkite viską ant padėklo, gerai išdėliokite ir gaminkite!
- Norėdami lengvai stebėti lauko temperatūrą, šalia gaminimo zonos įrenkite lauko termometrą. Užsirašykite, ką kepėte, lauko temperatūrą ir kepimo laiką. Tai vėliau padės nustatyti, ką kepėte ir kiek laiko tai užtruko.
- Labai šaltu oru pašildymo trukmę pailginkite bent 20 minučių.
- Nekilnokite dangčio dažniau nei reikia. Šalto vėjo gūšiai gali visiškai atvėsinti kepsninės temperatūrą. Įsidėmėkite, kad kepimas gali užtrukti ilgiau. Kiekvieną kartą atidarę dangtį, pridėkite papildomą kepimo laiką.
- Pasiruoškite šildomą lėkštę arba lėkštės dangtį, kad maistas išliktų šiltas, kol eisite į vidų.
- Žiemą geriausia kepti maistą, kuriam nereiškia daug dėmesio, pvz., kepsnius, visus viščiukus, šonkaulius ir kalakutieną. Kad valgio ruošimas būtų dar lengvesnis, pridėkite tokį paprastą garnyrą kaip daržovės ir bulvės.

### 3. KEPIMAS KARŠTU ORU

Šiltėjant orui kepimo laikas mažės.

Vadovaukitės šiais pasiūlymais norėdami mėgautis kepsnine karštu oru:

- Sumažinkite kepimo temperatūrą. Tokiu būdu išvengsite nepageidaujamo įsiliepsnojimo.
- Mėsos termometru nustatykite maisto vidaus temperatūrą. Tai padeda išvengti mėsos perkepimo ir išdžiūvimo.
- Net karštu oru geriausia kepti su uždarytu kepsninės dangčiu.
- Galite išlaikyti maistą karštą įvynioję jį į foliją ir įdėję į izoliuotą šaltkrepsį. Aplink foliją dėkite suglamžytus laikraščius, taip maistas išliks karštas 3–4 val.

## KEPSNINĖS TEMPERATŪROS INTERVALAI

Temperatūros rodmenys valdymo skydelyje gali tiksliai nesutapti su termometro rodmenimis. Visos toliau nurodytos temperatūros yra apytikslės ir joms gali turėti įtakos šie veiksniai: išorės aplinkos temperatūra, vėjo stiprumas ir kryptis, naudojamo granuliu kuro kokybė, atidarytas dangtis ir kepamo maisto kiekis.

- **AUKŠTA TEMPERATŪRA (205–260 °C (401–500 °F))**

Šį intervalą geriausia naudoti skrudinant ir kepat pasirinkus aukštą temperatūrą. Naudokite kartu su kepsninės plokštė (slankiojančia plokštė) norėdami kepti pasirinkę netiesioginę arba tiesioginę liepsną. Atidarius **kepsninės plokštė**, tiesioginė liepsna padės iškepti pusžalius kepsnius, apskrudusias daržoves, česnakinį skrebutį arba zefyrus! Kai **kepsninės plokštė uždaryta**, oras cirkuliuoja aplink cilindrą, tokiu būdu susiformuoja konvekcija. Aukšta temperatūra taip pat naudojama kepsninei pašildyti, kepimo grotelėms nudeginti ir dideliame karščiui pasiekti esant labai šaltam orui.

- **VIDUTINĖ TEMPERATŪRA (135–180 °C (275–356 °F))**

Šį intervalą geriausia rinkti kepat, skrudinant ir užbaigiant lėto rūkymo maisto kepimą. Kepant pasirinkus šią temperatūrą, itin sumažės riebalų užsiliepsnojimo rizika. Įsitikinkite, kad kepsninės slankiojanti plokštė yra uždaryta ir uždengia angas. Šis intervalas puikiai tinka kepat bet ką, suvyniotą kiaulienoje, arba kai norite universalesnio valdymo.

- **ŽEMA TEMPERATŪRA (82–125 °C (180–257 °F))**

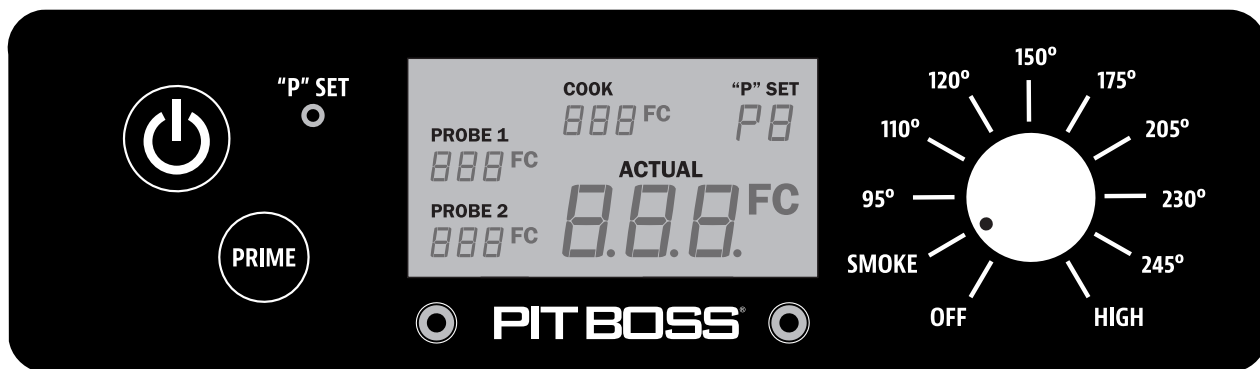
Šis intervalas skirtas lėtai skrudinti, stiprinti rūkyto maisto skonį ir maistui šiltai laikyti. Sustiprinkite rūkyto maisto skonį ir išlaikykite mėsos sultingumą kepdami ilgiau žemesnėje temperatūroje (taip pat vadinama **ilgesniu kepimu**). Rekomenduojama kepat didelį kalakutą padėkos dienai, sultingą kumpį Velykoms arba ruošiant didelę šventinę puotą.

Rūkymas yra tikro kepimo ant grotelių variacija ir yra ištis pagrindinis kepimo ant medžio granulėmis kūrenamos kepsninės privalumas. **Karštas rūkymas**, kitas **ilgesnio kepimo** pavadinimas, paprastai atliekamas 82–125 °C (180–257 °F) temperatūroje. Karštas rūkymas labiausiai tinka, kai reikalingas ilgesnis kepimo laikas, pvz., kepat didelius mėsos, žuvies arba vištienos pjautus.








**PATARIMAS.** Norėdami sustiprinti malonų kvapą, pasirinkite **SMOKE (rūkymas) (žemos) temperatūros intervalą iškart padėję maistą ant grotelių.** Taip dūmai įsigers į mėsą.

Svarbu eksperimentuoti su rūkymo trukme, kol maistas baigs kepti. Kai kurie lauko virėjai rūko maistą kepimo pabaigoje, tokiu būdu maistas išlieka šiltas iki patiekimo. Praktika padeda tobulėti!

## VALDYMO PLOKŠTĖS VEIKIMO SUPRATIMAS



VALDIKLIS	APRAŠYMAS
	Paspauskite <b>maitinimo mygtuką</b> prietaisui įjungti. Mygtukas švies mėlynai, kai maitinimo šaltinis bus prijungtas. Dar kartą paspauskite mygtuką norėdami išjungti prietaisą.

	<p><b>Temperatūros valdymo ratukas</b> leidžia nustatyti pageidaujama rūkymo temperatūrą. Kai maitinimo šaltinis prijungtas ir paspaustas maitinimo mygtukas, pasukite ratuką ir rinkitės iš dešimties iš anksto nustatytų temperatūrų nuo 82 iki 260 °C (180–500 °F). Kai ratukas pasuktas ties išankstiniu temperatūros nustatymu, skaitmeninis LCD ekranas pradės šviesti ir rodyti, kad yra paruoštas naudoti. Kai ratukas išjungtas, skaitmeninis LCD ekranas lieka išjungtas.</p>
	<p><b>„P“ nustatymo mygtukas</b> naudojamas norint pasirinkti vieną iš aštuonių tikslų nustatymų, kai temperatūros valdymo ratukas nustatytas ties rūkymo nustatymu. Spauskite mygtuką norėdami keisti „P“ nustatymą, kad pritaikytumėte prie kepimo stiliaus ir aplinkos. <u>Trumpai paspaudus</u> mygtuką, nustatymas padidėja nuo P0 iki P7, tuomet kartojasi. Reguluoti galima tik pasirinkus rūkymo nustatymą. Numatytasis gamyklinis nustatymas yra „P4“. Jei „P“ nustatymas sureguliuotas, jūsų pasirinkimas bus užfiksuotas (įrašytas) iki kito reguliavimo.</p> <p><b>„P“ nustatymo mygtukas</b> taip pat naudojamas kaip <b>temperatūros matavimo skalės keitimo valdiklis</b> norint pakeisti temperatūros rodmenį LCD ekrane. Paspauskite ir <u>laikykite nuspaudę</u> mygtuką dvi sekundes norėdami perjungti temperatūros rodytą Celsijumi (°C) arba Farenheitu (°F). Numatytasis nustatymas – Celsijumi.</p>
	<p><b>LCD ekrane</b> pateikiama jūsų prietaiso informacija. LCD ekrane rodoma pageidaujama kepimo temperatūra, tiksli kepimo temperatūra ir mėsos zondo temperatūra (jei jis prijungtas). Jei prijungtas tik vienas mėsos zondas, bus rodomas tik vienas rodmuo.</p>
	<p>Paspauskite ir laikykite nuspaudę <b>pildymo mygtuką</b> norėdami suaktyvinti papildomą granulių tiekimą į ugnies indą. Tai galima atlikti norint įpilti daugiau kuro į ugnį prieš atidarant cilindro dangtį, tokiu būdu šilumos atgavimo trukmė bus greitesnė. Šį mygtuką taip pat galima naudoti rūkant, norint padidinti švaraus dūmų skonio intensyvumą. Funkcija įdiegta iš konkuruojančių kepsninių.</p>
	<p><b>Rūkymo nustatymas</b>, esantis ant temperatūros valdymo ratuko, yra prietaiso paleidimo režimas. Kepsninė veikia žemiausioje temperatūroje, neužgęstant liepsnai.</p>
	<p>Valdymo plokštės priekyje esantis (-ys) jungties lizdas (-ai) skirti <b>mėsos zondui (-ams)</b>. Prijungus mėsos zondą, temperatūra rodoma LCD ekrane. Jei nenaudojate, atjunkite mėsos zondą nuo jungties lizdo. <i>Suderinama tik su „Pit Boss“ prekės ženklo mėsos zondais. Papildomą (-us) mėsos zondą (-us) galima įsigyti atskirai.</i></p> 

## ZONDŲ VEIKIMO SUPRATIMAS

### • TEMPERATŪROS ZONDAS

Temperatūros zondą rasite pagrindiniame cilindre, ant kairės sienos. Tai mažas, vertikalus nerūdijančiojo plieno įrankis. Temperatūros zondas matuoja prietaiso vidaus temperatūrą. Kai temperatūra reguliuojama valdymo plokštėje, temperatūros zondas išmatuos faktinę prietaiso vidaus temperatūrą ir sureguliuos pageidaujamą temperatūrą.

**SVARBU.** Jūsų prietaiso temperatūrą labai veikia oro sąlygos, naudojamų granulių kokybė, granulių aromatas ir kepamo maisto kiekis.

### • MĒSOS ZONDAS

Mėsos zondas matuoja ant grotelių kepamos mėsos vidaus temperatūrą, panašiai kaip temperatūros zondas. Prijunkite mėsos zondo adapterį prie mėsos zondo jungties lizdo, esančio ant valdymo plokštės, ir įkiškite nerūdijančiojo plieno mėsos zondą į storiausią mėsos dalį. Temperatūra bus rodoma valdymo plokštėje. **Mėsos zondą tinkamai prijungus prie jungties lizdo pasigirsta spragtelėjimas.**

**PASTABA.** Kai kišate mėsos zondą į mėsą, įsitikinkite, kad jis ir jo laidai tiesiogiai neliečia ugnies arba karštų paviršių. To nepaisant mėsos zondas gali sugesti. Laidą perkiškite per galines pagrindinio korpuso išmetimo angas arba pagrindinio korpuso viršų (šalia kepsninės dangčio vyrio). Kai nenaudojate, atjunkite jį nuo mėsos zondo jungties lizdo, saugiai padėkite į šoną ir laikykite švarų.

## „P“ NUSTATYMO VEIKIMO SUPRATIMAS

Paspaudus „P“ NUSTATYMO mygtuką, LCD ekrane rodomas „P“ nustatymas pradės mirksėti ir pasikeis į kitą vertę (aukštyn). Pasiekus P7, vėl bus grįžta prie P0. Yra aštuoni „P“ nustatymai – nuo P0 iki P7. „P“ NUSTATYMO mygtuką galima paspausti naudojant ploną objektą.

**SVARBU. Nespauskite „P“ NUSTATYMO mygtuko per smarkiai, kadangi galite jį sugadinti. Užtenka jį paspausti lengvai.**

### • „P“ NUSTATYMO NAUDOJIMAS RŪKYMO REŽIME

Kai temperatūros ratukas nustatytas ties SMOKE (rūkymas), pvz., paleidimo ciklo metu, sraigtas veiks labiau rankiniu kepimo režimu nei naudojant vieną išankstinių temperatūrų. Pirmiausia, sraigtas nuolat suksis ir tieks granules keturias minutes. Praėjus keturioms minutėms, sraigtas pradės tiekimo ciklą pagal „P“ nustatymą, pasirinktą skaitmeninėje valdymo plokštėje. Numatytasis nustatymas yra P4.

„P“ NUST.	SRAIGTO CIKLAS (sekundės)	
	IJ.	IŠJ.
P0	18	55
P1	18	70
P2	18	85
P3	18	100
*P4	18	115
P5	18	130
P6	18	140
P7	18	150

\* Numatytasis gamyklinis nustatymas

## PILTUVO PILDYMO PROCEDŪRA

Šiomis instrukcijomis reikia vadovautis pirmą kartą uždegus kepsninę ir kiekvieną kartą, kai kepsninės piltuve nebėra granuliu. Sraigtas turi būti pildomas, kad granulės keliautų per visą sraigą ir užpildytų ugnies indą. **Nepripildžius uždegiklis nustos veikti neuždegus granuliu, todėl nebus jokios liepsnos.** Pildykite piltuvą atlikdami šiuos veiksmus:

1. Atidarykite piltuvo dangtį. Įsitikinkite, kad piltuve nėra jokių pašalinių objektų ir niekas neblokuoja apačioje esančios sraigtinės tiekimo sistemos.
2. Išimkite visus kepimo komponentus iš kepsninės. Raskite ugnies indą, esantį pagrindinio cilindro apačioje.
3. Prijunkite kištuko laidą prie maitinimo šaltinio. Paspauskite **maitinimo mygtuką**, kad įjungtumėte prietaisą, ir pasukite **temperatūros valdymo ratuką** į padėtį SMOKE (rūkymas). Patikrinkite šiuos dalykus:
  - Ar girdite, kaip sukasi sraigtas. Padėkite ranką virš ugnies indo ir patikrinkite, ar jaučiate oro judėjimą. Nekiškite rankos arba pirštų į ugnies indą. Kitaip susižalosite.
  - Praėjus maždaug minutei, užuosite degantį uždegiklį ir pradėsite jausti ugnies inde šiltėjantį orą. Uždegiklis nešviečia raudonai, tačiau labai įkaista ir gali nudeginti. Nelieskite uždegiklio.
4. Patikrinę, kad visi elektros komponentai veikia teisingai, paspauskite **maitinimo mygtuką** ir išjunkite prietaisą.
5. Įpilkite į piltuvą natūralių medžio granuliu.
6. Paspauskite **maitinimo mygtuką** ir įjunkite prietaisą. **Temperatūros valdymo ratukas** turi likti padėtyje SMOKE (rūkymas). Paspauskite ir laikykite nuspaudę **Pildymo mygtuką**, kol matysite granules kepsninėje iš sraigto vamzdžio. Granulėms pradėjus kristi į ugnies indą, atleiskite **pildymo mygtuką**.
7. Paspauskite **maitinimo mygtuką** ir išjunkite prietaisą.
8. Sumontuokite kepimo komponentus į pagrindinį cilindrą. Dabar galite naudoti kepsninę. (Žr. *surinkimo instrukcijas* norėdami užtikrinti, kad kepimo komponentai tinkamai sumontuoti.)

## NAUDOJIMAS PIRMĄ KARTĄ – KEPSNINĖS NUDEGINIMAS

Pripildžius piltuvą ir prieš kepančią kepsninę pirmą kartą, svarbu atlikti kepsninės nudeginimą. Įjunkite kepsninę ir leiskite veikti pasirinktą bet kokią temperatūrą virš 176 °C (350 °F) (nuleidus dangtį) 30–40 min., kad nudegintumėte kepsninę ir pašalintumėte bet kokias pašalines medžiagas.

## AUTOMATINĖ PALEIDIMO PROCEDŪRA

1. Prijunkite maitinimo laidą prie įžeminto maitinimo šaltinio. Atidarykite pagrindinio cilindro dangtį. Patikrinkite, ar ugnies inde nėra jokių kliūčių, kad jis būtų tinkamai uždegtas. Atidarykite piltuvo dangtį. Įsitikinkite, kad piltuve arba sraigtinėje tiekimo sistemoje nėra jokių pašalinių objektų. Įpilkite į piltuvą sausų ir visiškai natūralių kietmedžio granuliu.
2. Įsitikinkite, kad **temperatūros valdymo ratukas** nustatytas padėtyje SMOKE (rūkymas). Paspauskite **maitinimo mygtuką** ir įjunkite prietaisą. Taip suaktyvinsite paleidimo ciklą. Sraigtinė tiekimo sistema pradės suktis, uždegiklis pradės šviesti ir

ventiliatorius tiek orą į ugnies indą. Vykdamt paleidimo ciklą, kepsninė pradės išskirti dūmus. Cilindro dangtis turi likti atidarytas vykstant paleidimo ciklui. Norėdami patikrinti, ar paleidimo ciklas prasidėjo tinkamai, paklauskite, ar girdite užimo garsą, ir pastebite skleidžiamą šilumą.

3. Tirštiesiems baltiems dūmams išsisklaidžius, paleidimo ciklas baigtas ir galite naudoti kepsninę pasirinkę pageidaujamą temperatūrą!

### PROCEDŪRA SUGEDUS UŽDEGIKLIUI

**Jei kepat dėl bet kokios priežasties jūsų elektrinis uždegiklis sugenda arba kepsninės liepsna užgęsta, atlikite tolesnius veiksmus arba paleiskite kepsninę rankiniu būdu.**

1. Įsitinkite, kad **temperatūros valdymo ratukas** išjungtas ir nustatytas padėtyje SMOKE (rūkymas). Atidarykite cilindro dangtį. Išimkite kepimo komponentus. Išimkite visas nesudegusias granules ir pelenus iš ugnies indo. Nelieskite uždegiklio, kad nesusižeistumėte, kadangi jis gali būti itin įkaitęs.
2. Kai visi kepimo komponentai išimti ir nuvalyti, paspauskite **maitinimo mygtuką** ir įjunkite prietaisą. Patikrinkite šiuos dalykus:
  - Vizualiai patvirtinkite, kad uždegiklis veikia padėdami rankas virš ugnies indo ir pajausdami šilumą.
  - Vizualiai patvirtinkite, kad uždegiklis išsikišęs maždaug 13 mm (0,5 col.) ugnies inde.
  - Vizualiai patvirtinkite, kad sraigtas meta granules į ugnies indą.
  - Ventiliatoriaus veikimą patvirtinsite pasiklausydami, ar girdite užimą.
3. Jei vienas iš pateiktų punktų neatitinka, vadovaukitės **gedimų diagnostikos ir šalinimo** instrukcijomis.

### RANKINIO PALEIDIMO PROCEDŪRA

1. Įsitinkite, kad **temperatūros valdymo ratukas** nustatytas padėtyje SMOKE (rūkymas). Prijunkite maitinimo laidą prie įžeminto maitinimo šaltinio.
2. Patikrinkite, ar ugnies inde nėra jokių kliūčių, kad jis būtų tinkamai uždegtas. Atidarykite piltuvo dangtį. Įsitinkite, kad piltuve arba sraigtinėje tiekimo sistemoje nėra jokių pašalinių objektų. Įpilkite į piltuvą sausų, visiškai natūralių kietmedžio granulių.
3. Atidarykite cilindro dangtį. Išimkite kepimo komponentus, kad matytumėte ugnies indą. Įdėkite gerą saują granulių į ugnies puodą. Užpilkite šiek tiek uždegimo skysčio arba kitos atitinkamos granulių uždegimo priemonės ant granulių. Taip pat galima naudoti nedidelį kiekį kieto kuro uždegimo priemonės, pvz., pagamintos iš pjuvenų ir vaško arba medienos drožlių. Įdėkite dar šiek tiek granulių į ugnies indą.

**PASTABA. Nenaudokite spirito, benzino, gazolino, degiojo skysčio arba žibalo kepsninės uždegimui arba ugnies atkūrimui.**

4. Uždekite ugnies indo turinį ilgą degtuku arba žiebtuvėliu. Leiskite uždegimo priemonei degti 3–5 minutes. Nebandykite pridėti daugiau uždegimo priemonės į ugnies indą. Kitaip susižalosite.
5. Greitai ir atsargiai įdėkite kepimo komponentus į pagrindinį cilindrą. Tęskite paleidimą atlikdami antrąjį **automatinio paleidimo procedūros** veiksmą.

### KEPSNINĖS IŠJUNGIMAS

1. Baigę kepti, kai pagrindinio korpuso dangtis dar uždarytas, paspauskite **maitinimo mygtuką** ir išjunkite prietaisą. Nustatykite **temperatūros valdymo ratuką** padėtyje OFF (išjungta).

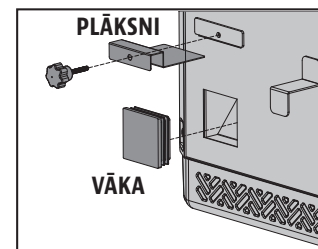
# KOPŠANA UN APKOPE

Jebkura Pit Boss® ierīce nodrošinās daudzus aromātiskas kalpošanas gadus ar minimālu tīrīšanu. Kopjot grilu, ievērojiet šos ieteikumus par tīrīšanu un apkopi:

## 1. PILTUVES MONTĀŽA

- Piltuve iekļauj iztīrīšanas funkciju, lai atvieglotu granulu kurināmā aromātu iztīrīšanu un nomaiņu. Lai iztukšotu, atrodiēt plāksni un nolaižamā kanāla vāku piltuves aizmugurē. Novietojiet tīru, tukšu spaini zem nolaižamā kanāla vāka, pēc tam noņemiet vāka daļu. Atskrūvējiet plāksni, izbīdiet to uz āru, un granulas tiks iztukšotas.

**PIEZĪME: izmantojiet birsti ar garu rokturi vai industriālo putekļsūcēju, lai aizvāktu liekās granulas, zāģu skaidas un gruzus, nodrošinot pilnīgu iztīrīšanu caur piltuves sietu.**



- Ja grils netiks lietots ilgāku laiku, ieteicams izvākt visas granulas no vītnes sistēmas. To var izdarīt, vienkārši darbinot grilu ar tukšu piltuvi, līdz visas granulas ir iztukšotas no vītnes caurules.
- Pārbaudiet un iztīriet visus gruzus no ventilatora gaisa ieplūdes atveres, kas atrodas piltuves apakšā. Kad piltuves piekļuves panelis ir noņemts (skatiet shēmu šeit: **Elektroinstalācijas shēma**), rūpīgi noslaukiet visus taukvielu uzkrājumus no ventilatora lāpstiņām. Tādējādi tiek nodrošināta pietiekama gaisa plūsma uz padeves sistēmu.

## 2. ZONDES

- Zondes vadu savijumi vai locījumi var izraisīt bojājumus. Ja gaļas zonde netiek lietota, tā jāsaritina lielā, vaļīgā spolē.
- Kaut arī temperatūras zonde un gaļas zonde ir izgatavotas no nerūsošā tērauda, nelieciet tās trauku mazgājamā mašīnā un neiegremdējiet ūdenī. Ūdens radīs bojājumus iekšējiem vadiem izraisīs zondes issavienojumu un līdz ar to nepareizus rādījumus. Ja zonde ir bojāta, tā jānomaina.

## 3. IEKŠĒJĀS VIRSMAS

- Ieteicams iztīrīt degšanas trauku ik pēc dažām lietošanas reizēm. Tādējādi tiek nodrošināta pareiza aizdedzināšana un var izvairīties no lieliem gruzu vai pelnu uzkrājumiem degšanas traukā.
- Izmantojiet grila tīrīšanas birsti ar garu rokturi un noņemiet visu pārtiku un uzkrājumus no gatavošanas režģiem. Vislabāk to būtu darīt, kamēr tie vēl ir silti kopš iepriekšējās gatavošanas. Taukvielu degšanas iemesls ir pārāk liels nokritušu netīrumu apjoms uz grila gatavošanas komponentiem. Regulāri iztīriet grila iekšpusi. Ja aizdegušās taukvielas, turiet grila vāku aizvērtu, lai apslāpētu degšanu. Ja uguns tik drīz nenodziest, uzmanīgi izņemiet pārtiku, izslēdziet grilu un aizveriet vāku, līdz uguns ir pilnīgi nodzisusi. Uzberiet nedaudz dzeramās sodas (ja pieejama).
- Bieži pārbaudiet un, ja nepieciešams, iztīriet taukvielu spaini. Paturiet prātā savu gatavošanas veidu.

**SVARĪGI: liela karstuma dēļ nepārklājiet ierīci cepšanai ar liesmu vai zondes ar alumīnija foliju.**

## 4. ĀRĒJĀS VIRSMAS

- Noslaukiet savu grilu pēc katras lietošanas. Notīriet taukvielas ar siltu ziepjūdeni. Ārējām grila virsmām neizmantojiet cepeškrāsns tīrīšanas līdzekli, abrazīvus tīrīšanas līdzekļus un abrazīvas tīrīšanas drānas. **Garantija neattiecas uz krāsotajām virsmām;** uz tām attiecas vispārēja apkope un uzturēšana. Ja krāsa ir saskrāpēta vai nodilusi vai notiek apdares atslāņošanās, visas krāsotās virsmas var pielabot, izmantojot lielam karstumam paredzētu grila krāsu.
- Izmantojiet grila vāku, lai grilam nodrošinātu pilnu aizsardzību! Vāks ir vislabākā aizsardzība pret laikapstākļu ietekmi un āra piesārņotājiem. Ja grils netiek lietots vai tiek novietots ilgstošai glabāšanai, glabājiet to zem vāka garāžā vai šķūnī.



### TĪRĪŠANAS BIEŽUMA GRAFIKS (NORMĀLAI LIETOŠANAI)

DALIS	VALYMO DAŽNIS	VALYMO BŪDAS
Pagrindinio korpuso apačia	Kas 5–6 kepimus	Išsemkite ir išsiurbkite atliekų perteklių „Shop-Vac“ siurbliu
Ugnies indas	Kas 2–3 kepimus	Išsemkite ir išsiurbkite atliekų perteklių „Shop-Vac“ siurbliu
Kepimo grotelės	Po kiekvieno kepimo	Nudeginkite likučius, nuvalykite žalvariniu šepėčiu
Kepsninės plokštė	Kas 5–6 kepimus	Nugrandykite pagrindinę plokštę ir slankiojančią plokštę, <b>neplaukite</b>
Priekinė lentyna	Po kiekvieno kepimo	Šveitimo kempinėle ir muiluotas vanduo
Riebalų surinkimo kibirėlis	Po kiekvieno kepimo	Šveitimo kempinėle ir muiluotas vanduo
Sraigtinė tiekimo sistema	Ištuštinus granulių maišą	Leiskite sraigtui išstumti pjuvenas, kol piltuve nieko nebeliks
Piltuvo elektriniai komponentai	Kartą per metus	Išvalykite dulkes iš vidaus, nuvalykite ventiliatoriaus mentes muiluotu vandeniu
Oro įsiurbimo anga	Kas 5–6 kepimus	Nuvalykite dulkes, naudokite šveitimo kempinėle ir muiluotą vandenį
Temperatūros zondas	Kas 2–3 kepimus	Šveitimo kempinėle ir muiluotas vanduo

# IETEIKUMI UN METODES

Lai labāk iepazītu savu grilu, ievērojiet šos noderīgos padomus un metodes, kas nākušas no Pit Boss® īpašniekiem, mūsu personāla un jums līdzīgiem klientiem.

## 1. PĀRTIKAS DROŠĪBA

- Uzturiet tīrību virtuvē un gatavošanas zonā. Pagatavotajai gaļai izmantojiet citas plāksnes un piederumus, nevis tos, ko lietojāt neapstrādātas gaļas sagatavošanai vai pārvietošanai no grila. Tādējādi tiek novērsta baktēriju savstarpējā pārnešana. Katrai marinādei vai cepeša pārliešanas mērcei ir nepieciešams savs piederums.
- Karsto ēdienu uzturiet karstu (virs 60°C/140°F), bet auksto — vēsu (zem 3°C/37°F).
- Marinādi nekad nevajag taupīt vēlākai lietošanai. Ja vēlaties to pasniegt kopā ar gaļu, pirms pasniegšanas noteikti uzvāriet.
- Pagatavoto ēdienu nevajadzētu atstāt karstumā ilgāk kā vienu stundu. Karsto ēdienu neatstājiet ārpus ledusskapja ilgāk kā divas stundas.
- Atkausējiet un marinējiet gaļu ledusskapī. Neatkausējiet gaļu istabas temperatūrā vai uz darba virsmas. Siltā, mitrā pārtikā var ātri augt un vairoties baktērijas. Pirms ēdiena gatavošanas un pēc darba ar svaigu gaļu, zivīm un putniem rūpīgi nomazgājiet rokas ar karstu ziepjūdeni.

## 2. SAGATAVOŠANĀS ĒDIENA GATAVOŠANAI

- Sagatavojieties jeb **Mise en Place**. Tas attiecas uz gatavošanas receptes, kurināmā, piederumu, instrumentu un visu nepieciešamo sastāvdaļu sagatavošanu pie grila, pirms sākat gatavot ēdienu. Turklāt pirms grila iededzināšanas izlasiet arī visu recepti no sākuma līdz beigām.
- Ļoti noderīgs ir grila grīdas paklājiņš. Tā kā rīkojoties ar pārtiku ne vienmēr viss izdodas nevainojami, turklāt gatavojot rodas šļakatas, grila grīdas paklājiņš aizsargā grīdu, iekšējo pagalmu un akmeņu platformu no iespējamo tauku plankumu rašanās vai nejaušām šļakatām.

## 3. GRILĒŠANAS IETEIKUMI UN METODES

- Lai gaļa uzņemtu vairāk dūmu aromāta, gatavojiet ilgāk un zemākā temperatūrā (dēvē arī par **zemo un lēno** gatavošanu). Kad gaļas iekšējā temperatūra sasniedz 49°C/120°F, tā aizver savas šķiedras. Smidzināšana un slacināšana ir lielisks paņēmieni, kā gaļu pasargāt no izžūšanas.
- Apcepot gaļu, vākam vienmēr jābūt uzliktam. Vienmēr izmantojiet gaļas termometru, lai noteiktu gatavojamā ēdiena iekšējo temperatūru. Ēdiena kūpināšanā izmantojot cietkoksnes granulas, gaļa un putni kļūst sāti. Sārto joslu (pēc gatavošanas) dēvē par **dūmu gredzenu**, un to augstu vērtē āra šefpavāri.
- Mērces uz cukura bāzes vislabāk būtu lietot neilgi pirms gatavošanas beigām, lai izvairītos no degšanas un uzliesmojumiem.
- Atstājiet atklātu vietu starp pārtiku un korpusa kājām, lai nodrošinātu pienācīgu siltuma plūsmu. Ēdiens uz pārblīveta grila būs jāgatavo ilgāk.
- Gaļas apgriešanai izmantojiet garas kņabiles, bet burgeru un zivju apgriešanai — lāpstiņu. Ar durstīšanas instrumenta, piemēram, dakšiņas, palīdzību var sadurstīt gaļu, ļaujot izplūst tās sulai.
- Ēdiena gatavošanai kastroļos ir nepieciešams ilgāks laiks nekā seklās pannās.
- Gatavo ēdienu būtu labi novietot uz uzkarsētas plāksnes, lai uzturētu tā siltumu. Sarkanās gaļas, piemēram, steiku un cepešu, kvalitāte uzlabojas, ja tie pirms pasniegšanas var nostāvēties dažas minūtes. Tādējādi sulas, kas ir nonākušas virspusē karstuma ietekmē, var viegli atgriezties gaļas centrā, papildinot aromātu.

# PROBLĒMU NOVĒRŠANA

Pienācīga tīrīšana, apkope, kā arī tīra, sausa, kvalitatīva kurināmā izmantošana novērš vispārējas ekspluatācijas problēmas. Ja Pit Boss grils darbojas slikti vai tiek reti izmantots, var noderēt tālāk sniegtie ieteikumi problēmu novēršanai.

BUJ, lūdzu, skatiet šeit: [www.pitboss-grills.com](http://www.pitboss-grills.com). Varat arī sazināties ar vietējo Pit Boss® pilnvaroto dīleri vai klientu apkalpošanas dienestu, lai saņemtu palīdzību.

**BRĪDINĀJUMS: pirms grila atvēršanas pārbaudes, tīrīšanas, apkopes vai servisa darbu nolūkos vienmēr atvienojiet elektrības vadu. Lai negūtu traumas, pārliecinieties, vai grils ir pilnīgi atdzisis.**

PROBLĒMA	CĒLONIS	RISINĀJUMS
Vadības paneli nedeg barošanas gaismas	Temperatūras vadības skala joprojām ir izslēgta.	Paspauskrite maitinimo mygtukā ir ņisitinkinkite, kad ņis ņviečia mēlynai. Tai rodo, kad energija tiekama. Nustatykite temperatūros valdymo ratukā ties temperatūros nustatymu.
	Nav savienojuma ar strāvas avotu	ņsitinkinkite, kad prietaisais prijungtas prie veikiančio maitinimo ņaltinio. Nustatykite pertraukiklņ ņis naujo. ņsitinkinkite, kad GFCI naudoja mažiausiai 10 A srovę (kaip pasiekti elektros komponentus, ņr. <b>elektros laidų schema</b> ). ņsitinkinkite, kad visi laidai tvirtai prijungti ir yra sausi.
	Vadības paneli izdedzis drošinātājs	Nuimkite piltuvo prieigos plokštę (ņr. <b>elektros laidų schema</b> ), ņspauskrite plastikines ašeles, laikančias valdymo plokštę, ir atsargiai traukrite valdiklņ, esantņ piltuve, kad ņj atlaisvintumėte. Patikrinkite, ar saugiklio laidas nēra nutrūkęs arba pajuodęs. ņei yra, saugiklņ reikia pakeisti rankiniu būdu.
	Atslęsusies GFCI izeja.	Nuimkite piltuvo prieigos plokštę (ņr. <b>elektros laidų schema</b> ) ir ņsitinkinkite, kad kad visi laidai tvirtai prijungti ir yra sausi. ņsitinkinkite, kad GFCI naudoja mažiausiai 10 A srovę.
	Vadības paneļa kļūme	Valdymo plokštę reikia pakeisti. Dēl atsarginēs dalies susisiekitie su klientų aptarnavimo tarnyba.
Liepsna ugnies inde neužsidega	Sraigtas nēra pripildytas	Prieš naudodami prietaisą pirmą kartą arba piltuvui visiškai ištuštėjus, sraigta reikia pripildyti, kad granulēs užpildytų sraigto vamzdņ. Nepripildžius uždegiklis nustos veikti granulėms dar nepasiekus ugnies indo. Vadovaukitės <b>piltuvo pildymo procedūra</b> .
	Sraigto variklis užstrigęs	ņšimkite kepimo komponentus iš pagrindinio cilindro. Paspauskrite maitinimo mygtukā ir ņjunkite prietaisą, pasukite temperatūros valdymo ratukā ņ padėtņ SMOKE (rūkymas) ir patikrinkite sraigtinę tiekimo sistemą. Vizualiai patvirtinkite, kad sraigtas meta granules ņ ugnies indą. ņei ņi veikia netinkamai, susisiekitie su klientų aptarnavimo tarnyba dēl pagalbos arba atsarginēs dalies.
	Uždegiklio gedimas	ņšimkite kepimo komponentus iš pagrindinio cilindro. Paspauskrite maitinimo mygtukā ir ņjunkite prietaisą, pasukite temperatūros valdymo ratukā ņ padėtņ SMOKE (rūkymas) ir patikrinkite uždegiklņ. Vizualiai patvirtinkite, kad uždegiklis veikia padėdami rankas virš ugnies indo ir pajausdami ņilumą. Vizualiai patvirtinkite, kad uždegiklis išsikišęs mažiaug 13 mm (0,5 col.) ugnies inde. ņei ņis veikia netinkamai, vadovaukitės <b>rankinio paleidimo procedūra</b> , kad galėtumėte toliau naudotis kepsnine, tačiau susisiekitie su klientų aptarnavimo tarnyba dēl atsarginēs dalies.
Mirgojoši punkti LCD ekrānā	Ieslēgts deglis	Ši nav grilu ietekmējoša kļūda. To izmanto, lai parādītu, ka ierice saņem strāvu un ir darba sākšanas režimā (deglis ieslēgts). Deglis izslēgsies pēc piecām minūtēm. Pēc mirgojošo punktu pazušanas grils sāks pielāgoties atlasītajai nepieciešamajai temperatūrai.
Mirgojoša temperatūra LCD ekrānā	Grila temperatūra ir zem 65°C/150°F	Ši nav ierici ietekmējoša kļūda, tomēr to izmanto, lai parādītu, ka pastāv uguns nodzišanas risks. Pārbaudiet, vai piltuvē pietiek kurināmā un vai padeves sistēmā nav nosprostojumu. ņņemiet granulas un izpildiet <b>kopšanas un apkopes</b> norādījumus. Pārbaudiet grila temperatūras zondi un, ņa tā ir netīra, izpildiet <b>kopšanas un apkopes</b> norādījumus. Pārbaudiet, vai deģšanas traukā nav pelnu uzkrājumu vai nosprostojumu, un izpildiet <b>kopšanas un apkopes</b> norādījumus par pelnu uzkrājumiem. Pārbaudiet ventilatoru. Pārliecinieties, vai tas darbojas pienācīgi un gaisa ieplūde nav bloķēta. ņa tas ir netīrs, izpildiet <b>kopšanas un apkopes</b> norādījumus. Pārbaudiet vitnes motora darbību (griešanas) un pārliecinieties, vai vitnes caurulē nav nosprostojumu.

Kļūdas kods „ErH”	Ierīce pārkarusi, iespējams, taukvielu degšanas vai lieka kurināmā dēļ.	Nospiediet barošanas pogu, lai izslēgtu ierīci, un ļaujiet grilam atdzist. Izpildiet <b>kopšanas un apkopes</b> norādījumus. Pēc apkopes izņemiet granulas un pārbaudiet visu komponentu daļu novietojumu. Pēc atdzišanas nospiediet barošanas pogu, lai ierīci ieslēgtu, un pēc tam atlasiet nepieciešamo temperatūru. Ja joprojām tiek rādīts kļūdas kods, sazinieties ar klientu apkalpošanas dienestu.
Kļūdas kods „Er1”	Temperatūras zondes vads neizveido savienojumu.	Noņemiet piltuves piekļuves paneli (skatiet diagrammu <b>elektroinstalācijas shēmā</b> ) un pārbaudiet, vai temperatūras zondes vadiem nav bojājumu. Pārbaudiet, vai temperatūras zondes Molex savienotāji ir pievienoti stingri un vai tie ir pareizi savienoti ar vadības paneli.
Kļūdas kods „ErP”	Kad ierīce ir pievienota strāvas padevei, tā neizslēdzas pareizi. Energijas padeves pārtraukums ierīces darbības laikā.	Drošības funkcija novērš automātisku restartēšanu. Nospiediet barošanas pogu, lai ierīci izslēgtu, pagaidiet divas minūtes, pēc tam nospiediet barošanas pogu, lai ierīci atkal ieslēgtu. Pagrieziet temperatūras vadības skalu pozīcijā SMOKE (Dūmi) vai uz nepieciešamo temperatūru. Ja joprojām tiek rādīts kļūdas kods, sazinieties ar klientu apkalpošanas dienestu.
Kļūdas kods „noP”	Slikts savienojums pie savienojuma porta Bojāta gaļas zonde Vadības paneļa kļūme	Atvienojiet gaļas zondi no vadības paneļa savienojuma porta un atkal pievienojiet. Pārlicinieties, vai gaļas zondes adapters ir stingri pievienots. Pārbaudiet, vai adaptera galam nav bojājumu pazīmju. Ja kļūme saglabājas, sazinieties ar klientu apkalpošanas dienestu par rezerves daļu. Pārbaudiet, vai gaļas zondes vadiem nav bojājumu pazīmju. Bojājumu gadījumā sazinieties ar klientu apkalpošanas dienestu par rezerves daļu. Jānomaina vadības panelis. Saņemiet ar klientu apkalpošanas dienestu par rezerves daļu.
Grila temperatūra režīmā SMOKE (Dūmi) ir pārāk augsta	Pārāk ZEMS „P” iestatījums	Nospiediet „P” IESTATĪŠANAS pogu un palieliniet „P” iestatījumu.
Grils nesasniedz vai neuztur stabilu temperatūru	Nepietiekama gaisa plūsma caur degšanas trauku Trūkst kurināmā, zema kurināmā kvalitāte, nosprostojami padeves sistēmā Temperatūras zonde	Pārbaudiet, vai degšanas traukā nav pelnu uzkrājumu vai nosprostojumu. Izpildiet <b>kopšanas un apkopes</b> norādījumus par pelnu uzkrāšanos. Pārbaudiet ventilatoru. Pārlicinieties, vai tas darbojas pienācīgi un gaisa ieplūde nav bloķēta. Ja tas ir netīrs, izpildiet <b>kopšanas un apkopes</b> norādījumus. Pārbaudiet vītnes motora darbību un pārlicinieties, vai vītnes caurulē nav nosprostojumu. Kad iepriekš minētās darbības ir veiktas, ieslēdziet grilu, iestatiet temperatūru uz SMOKE (Dūmi) un pagaidiet 10 minūtes. Pārbaudiet, vai liesma ir spilgta un vibrējoša. Apskatiet piltuvi, lai pārlicinātos, vai kurināmā līmenis ir pietiekams, un, ja tas ir zems, pievienojiet kurināmo. Ja koksnes granulām ir zema kvalitāte vai granulas ir pārāk garas, tās var izraisīt nosprostojumu padeves sistēmā. Izņemiet granulas un izpildiet <b>kopšanas un apkopes</b> norādījumus. Pārbaudiet temperatūras zondes stāvokli. Ja tas ir netīrs, izpildiet <b>kopšanas un apkopes</b> norādījumus. Bojājumu gadījumā sazinieties ar klientu apkalpošanas dienestu par rezerves daļu.
Grilam ir pārmērīgi vai bezkrāsaini dūmi	Taukvielu uzkrāšanās Koksnes granulu kvalitāte Nosprostots degšanas trauks Nepietiekama gaisa ieplūde ventilatoram	Izpildiet <b>kopšanas un apkopes</b> norādījumus. Izņemiet no piltuves mitrās koksnes granulas. Izpildiet <b>kopšanas un apkopes</b> norādījumus par iztīrīšanu. Aizstājiet tās ar sausām koksnes granulām. Iztīriet no degšanas trauka pelnus un citus netīrumus. Ievērojiet <b>piltuves uzpildīšanas procedūru</b> . Pārbaudiet ventilatoru. Pārlicinieties, vai tas darbojas pienācīgi un gaisa ieplūde nav bloķēta. Ja tas ir netīrs, izpildiet <b>kopšanas un apkopes</b> norādījumus.
Bieži uzliesmojumi	Gatavošanas temperatūra Taukvielu uzkrāšanās uz gatavošanas komponentiem	Mēģiniet gatavot zemākā temperatūrā. Taukvielām ir sava uzliesmošanas temperatūra. Ja gatavojat pārtiku ar augstu tauku saturu, uzturiet temperatūru zem 176°C/350°F. Izpildiet <b>kopšanas un apkopes</b> norādījumus.

# ELEKTROINSTALACIJAS SHĖMA

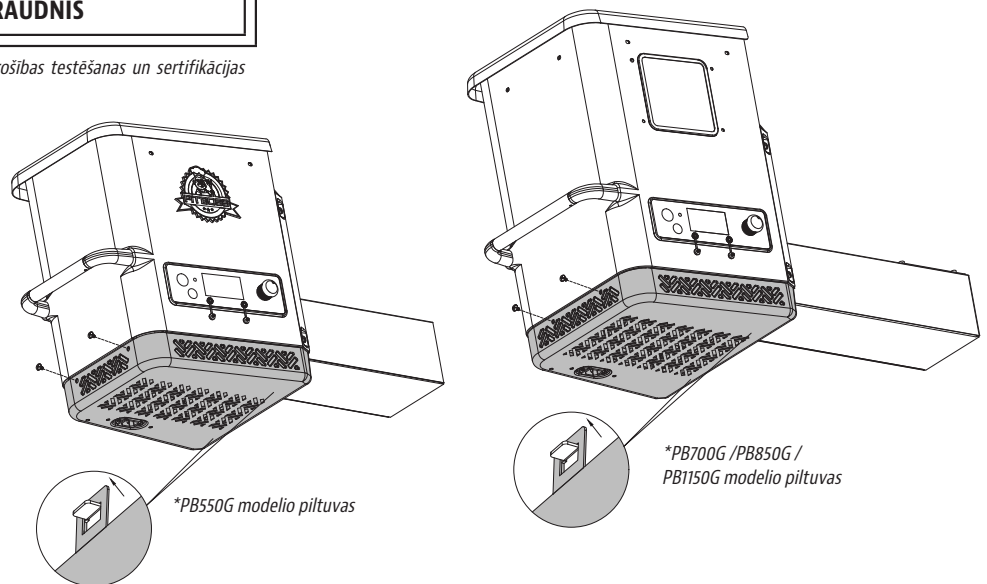
Digitālā vadības paneļa sistēma ir komplicēta un vērtīga tehnoloģijas vienība. Lai nodrošinātu aizsardzību pret strāvas pārspriegumiem un elektrības issavienojumiem, skatiet tālāk elektroinstalācijas shēmu; pārliecinieties, vai barošanas avots ir pietiekams ierīces darbībai.

## PB — ELEKTRĪBAS PRASĪBAS 220-240 V, 50 Hz, 250 W, IEZEMĒTS SPRAUDNIS

PIEZĪME: elektrokomponenti, kuriem ir veikti apstiprināti drošības testēšanas un sertifikācijas pakalpojumi, ir atbilstoši ar testēšanas pielaidi ± 5-10%.

**RASKITE IR IŠIMKITE KETURIS  
VARŽTUS IŠ PRIEIGOS PLOKŠTĒS,  
ESANČIOS PILTUVU ŠONE.**

**ATLAISVINKITE APATINĒ PILTUVU  
PLOKŠTĒ, PATRAUKDAMI ŽEMYN  
IR PASLINKDAMI ATGAL, KAD  
NUKABINTUMĒTE NUO AŠELĒS.**



\*PB550G modelio piltuvas

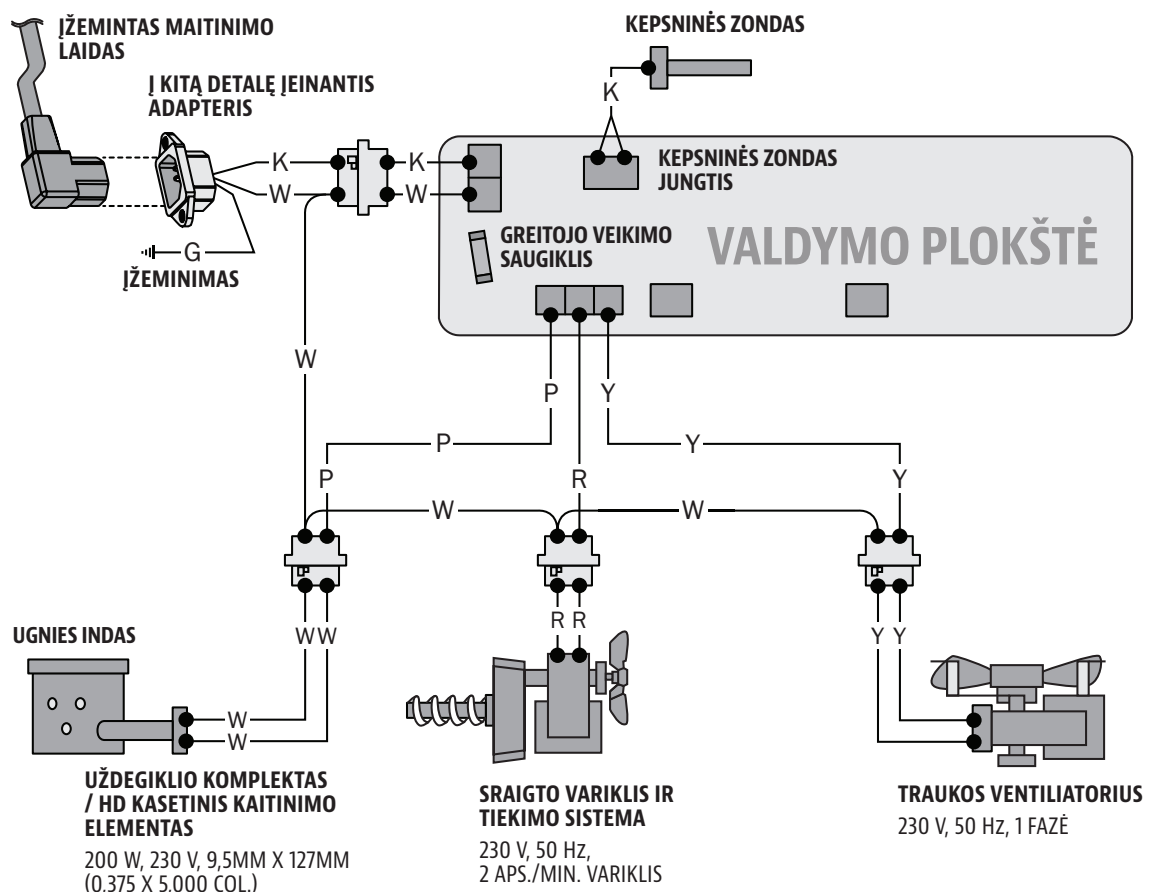
\*PB700G /PB850G /  
PB1150G modelio piltuvas

## KURO PADAVIMO SRAUTAS:

2 KG/H  
(4,4 LB/H)

## RODYKLĖ

W: BALTAS  
Y: GELTONAS  
P: VIOLETINIS  
R: RAUDONAS  
K: JUODAS  
G: ŽALIAS



## PB550G KEPSNINĖS ATSARGINĖS DALYS

Dalis Nr.	Aprašymas
1-A	Dangčio fiksatorius (1)
2-A	Dangčio rankena (1)
3-A	Dangčio rankenos apšadas (2)
4-A	Pagrindinis cilindras (1)
5-A	Piltuvo komplektas (1)
6-A	Kepsninės plokštės reguliavimo sklendė (1)
7-A	Kepsninės plokštės reguliavimo sklendės rankenėlė (1)
8-A	Kepsninės slankiojanti plokštė (1)
9-A	Kepsninės pagrindinė plokštė (1)
10-A	Kairioji priekinė koja (1)
11-A	Kairioji galinė koja (1)
12-A	Dešinioji priekinė koja (1)
13-A	Dešinioji galinė koja (1)
14-A	Kairiosios priekinės kojos apdailos detalė (1)
15-A	Kairiosios galinės kojos apdailos detalė (1)
16-A	Ratas (2)
17-A	Dešinioji apatinė atraminė plokštė (1)
18-A	Kairioji apatinė atraminė plokštė (1)
19-A	Trumpa atraminė plokštė (2)

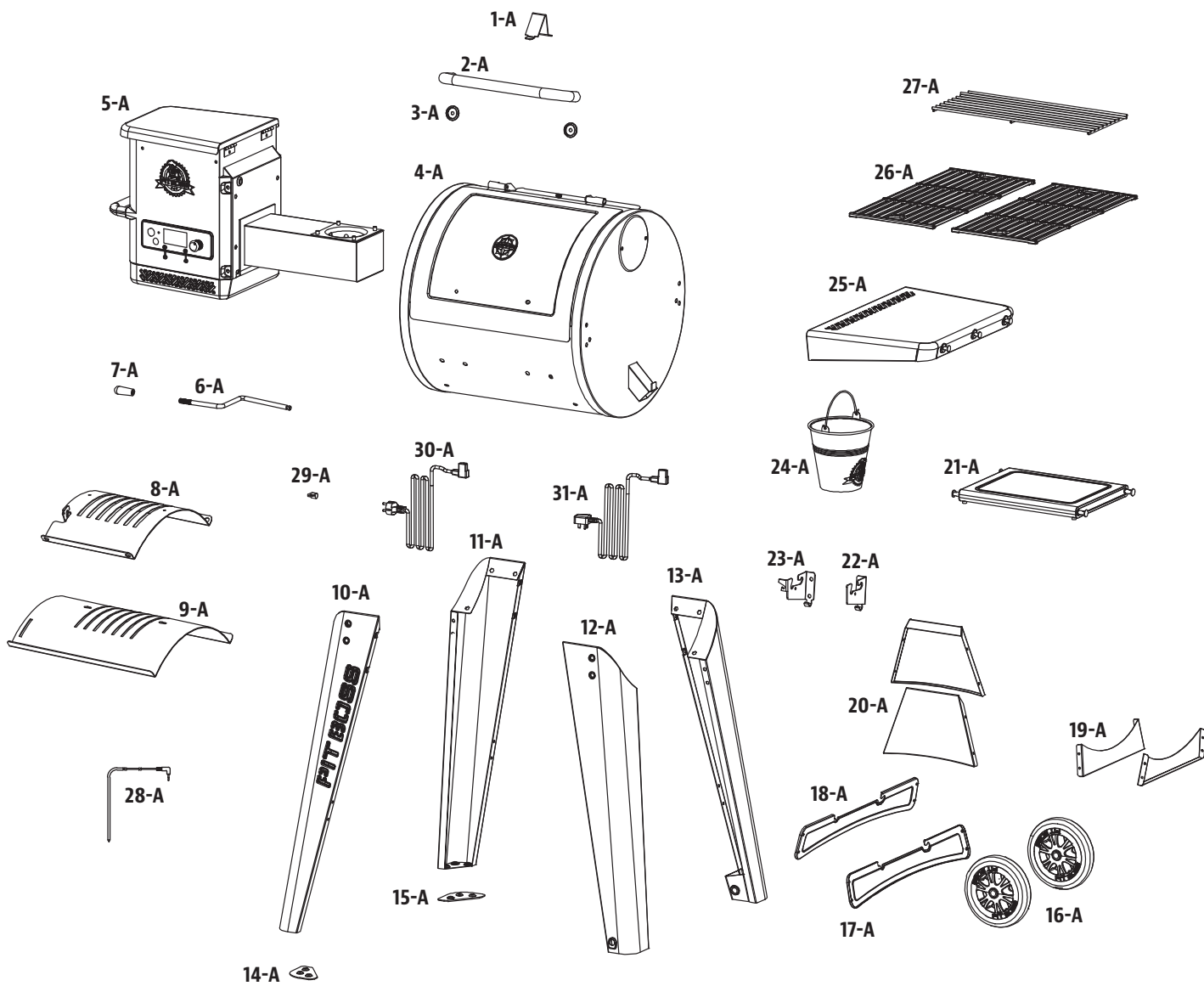
Dalis Nr.	Aprašymas
20-A	Priekinė / galinė ilga atraminė plokštė (2)
21-A	Priekinė lentyna (1)
22-A	Dešinysis priekinės lentynos laikiklis (1)
23-A	Kairysis priekinės lentynos laikiklis (1)
24-A	Riebalų surinkimo kibirėlis (1)
25-A	Staliukas, skirtas tvirtinti dešinėje pusėje (1)
26-A	Kepimo grotelės (2)
27-A	Šildymo lentyna (1)
28-A	Mėsos zondas (1)
29-A	Maitinimo laido spaustukas (x1)
30-A	Maitinimo laidas – F kištukas (x1)
31-A	Maitinimo laidas – G kištukas (x1)
A	Varžtas (18)
B	Poveržlė (18)
C	Fiksavimo poveržlė (18)
D	Varžtas (30)
E	Rato ašies kaištis (2)
F	Rato kaištis (2)
G	Rato poveržlė (2)

PASTABA. Dėl nuolatinio gaminių tobulinimo dalys gali keistis nepranešus.

Diagramos iliustracija kitame puslapyje.

MODELIS	SURINKTAS PRIETAISAS (PxAxG)	PRIETAISO SVORIS	KEPIMO PLOTAS	TEMP. DIAPAZONAS	SKAITMENINĖS FUNKCIJOS
PB PB550G	1227mm x 1195mm x 868mm / 48,3" x 47" x 34,17"	55.7 kg / 122.8 lb	Pagrindinis - 2580,6 cm <sup>2</sup> / 400 kv. col. Viršutinė lentyna - 920 cm <sup>2</sup> / 142,6 kv. col. <b>IŠ VISO - 3500,6 cm<sup>2</sup> / 542,6 kv. col.</b>	82-260°C / 180-500°F	Dešimt išankstinių temperatūros nustatymų, paleidimo ir atvėsimo ciklai, elektrinis uždegiklis

# PB550G KEPSNINĒS ATSARGINĒS DALYS



## PB700G KEPSNINĖS ATSARGINĖS DALYS

Dalis Nr.	Aprašymas
1-A	Dangčio fiksatorius (1)
2-A	Dangčio rankena (1)
3-A	Dangčio rankenos apšadas (2)
4-A	Pagrindinis cilindras (1)
5-A	Piltuvo komplektas (1)
6-A	Kepsninės plokštės reguliavimo sklendė (1)
7-A	Kepsninės plokštės reguliavimo sklendės rankenėlė (1)
8-A	Kepsninės slankiojanti plokštė (1)
9-A	Kepsninės pagrindinė plokštė (1)
10-A	Kairioji priekinė koja (1)
11-A	Kairioji galinė koja (1)
12-A	Dešinioji priekinė koja (1)
13-A	Dešinioji galinė koja (1)
14-A	Kairiosios priekinės kojos apdailos detalė (1)
15-A	Kairiosios galinės kojos apdailos detalė (1)
16-A	Ratas (2)
17-A	Dešinioji apatinė atraminė plokštė (1)
18-A	Kairioji apatinė atraminė plokštė (1)
19-A	Trumpa atraminė plokštė (2)
20-A	Priekinė ilgoji atraminė plokštė (1)

Dalis Nr.	Aprašymas
21-A	Galinė ilgoji atraminė plokštė (1)
22-A	Priekinė lentyna (1)
23-A	Dešinysis priekinės lentynos laikiklis (1)
24-A	Kairysis priekinės lentynos laikiklis (1)
25-A	Riebalų surinkimo kibirėlis (1)
26-A	Staliukas, skirtas tvirtinti dešinėje pusėje (1)
27-A	Kepimo grotelės (2)
28-A	Šildymo lentyna (1)
29-A	Mėsos zondas (1)
30-A	Maitinimo laido spaustukas (x1)
31-A	Maitinimo laidas – F kištukas (x1)
32-A	Maitinimo laidas – G kištukas (x1)
A	Varžtas (18)
B	Poveržlė (18)
C	Fiksavimo poveržlė (18)
D	Varžtas (30)
E	Rato ašies kaištis (2)
F	Rato kaištis (2)
G	Rato poveržlė (2)

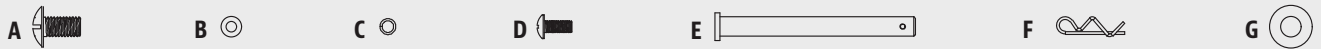
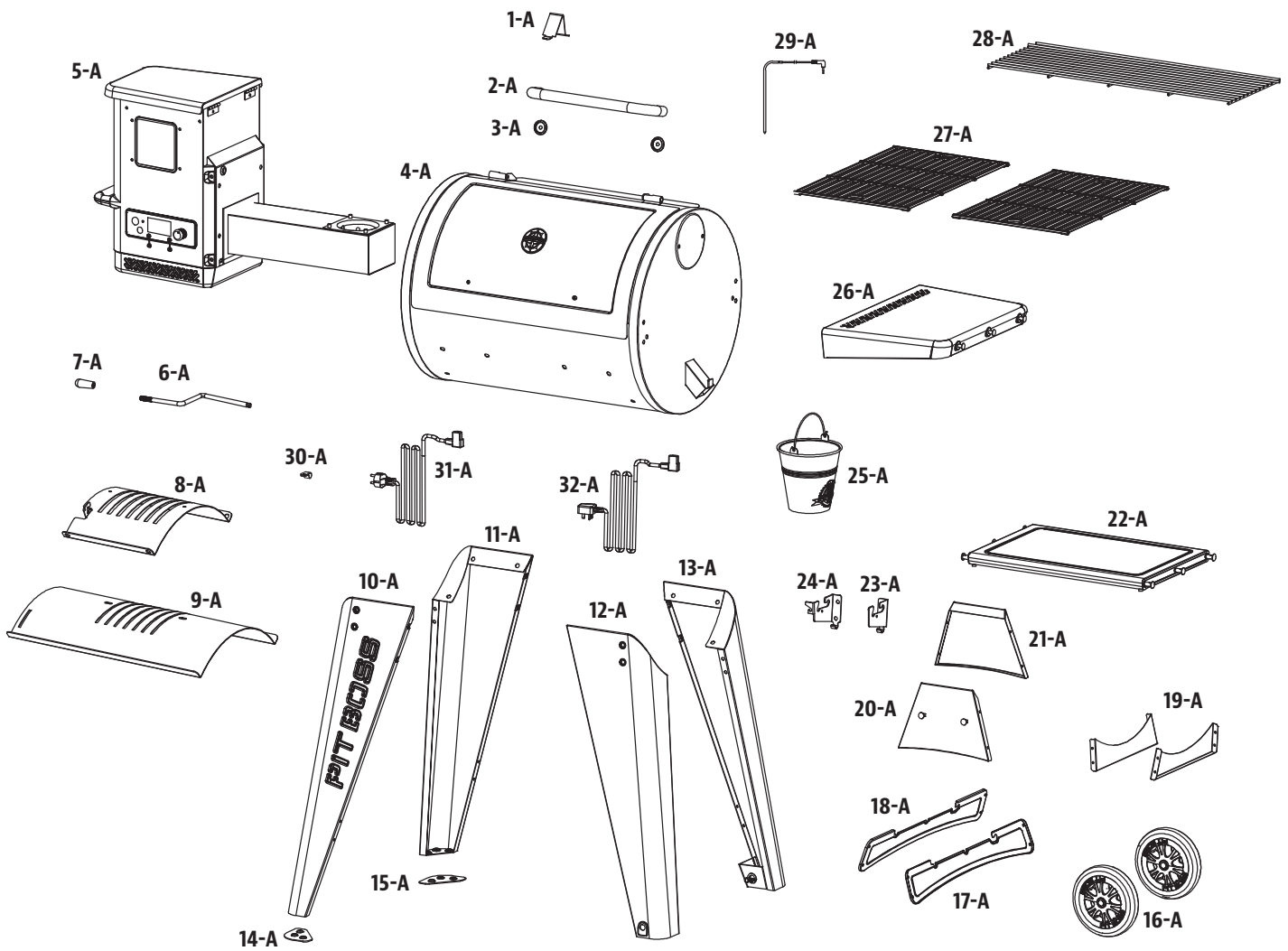
PASTABA. Dėl nuolatinio gaminio tobulinimo dalys gali keistis nepranešus.

Diagramos iliustracija kitame puslapyje.

MODELIS	SURINKTAS PRIETAISAS (PxAxG)	PRIETAISO SVORIS	KEPIMO PLOTAS	TEMP. DIAPAZONAS	SKAITMENINĖS FUNKCIJOS
PB PB700G	1388mm x 1195mm x 940mm / 54,69" x 47" x 37"	66,5 kg / 146.8 lb	Pagrindinis - 3109 cm <sup>2</sup> / 482 kv. col. Viršutinė lentyna - 1341 cm <sup>2</sup> / 208 kv. col. <b>IŠ VISO - 4450 cm<sup>2</sup> / 690 kv. col.</b>	82-260°C / 180-500°F	Dešimt išankstinių temperatūros nustatymų, paleidimo ir atvėsimo ciklai, elektrinis uždegiklis



# PB700G KEPSNINĒS ATSARGINĒS DALYS



## PB850G KEPSNINĖS ATSARGINĖS DALYS

Dalis Nr.	Aprašymas
1-A	Dangčio fiksatorius (1)
2-A	Dangčio rankena (1)
3-A	Dangčio rankenos apšadas (2)
4-A	Pagrindinis cilindras (1)
5-A	Piltuvo komplektas (1)
6-A	Kepsninės plokštės reguliavimo sklendė (1)
7-A	Kepsninės plokštės reguliavimo sklendės rankenėlė (1)
8-A	Kepsninės slankiojanti plokštė (1)
9-A	Kepsninės pagrindinė plokštė (1)
10-A	Kairioji priekinė koja (1)
11-A	Kairioji galinė koja (1)
12-A	Dešinioji priekinė koja (1)
13-A	Dešinioji galinė koja (1)
14-A	Kairiosios priekinės kojos apdailos detalė (1)
15-A	Kairiosios galinės kojos apdailos detalė (1)
16-A	Pasukamas ratukas su stabdžiu (2)
17-A	Ratas (2)
18-A	Dešinioji apatinė atraminė plokštė (1)
19-A	Kairioji apatinė atraminė plokštė (1)
20-A	Trumpa atraminė plokštė (2)
21-A	Priekinė ilgoji atraminė plokštė (1)

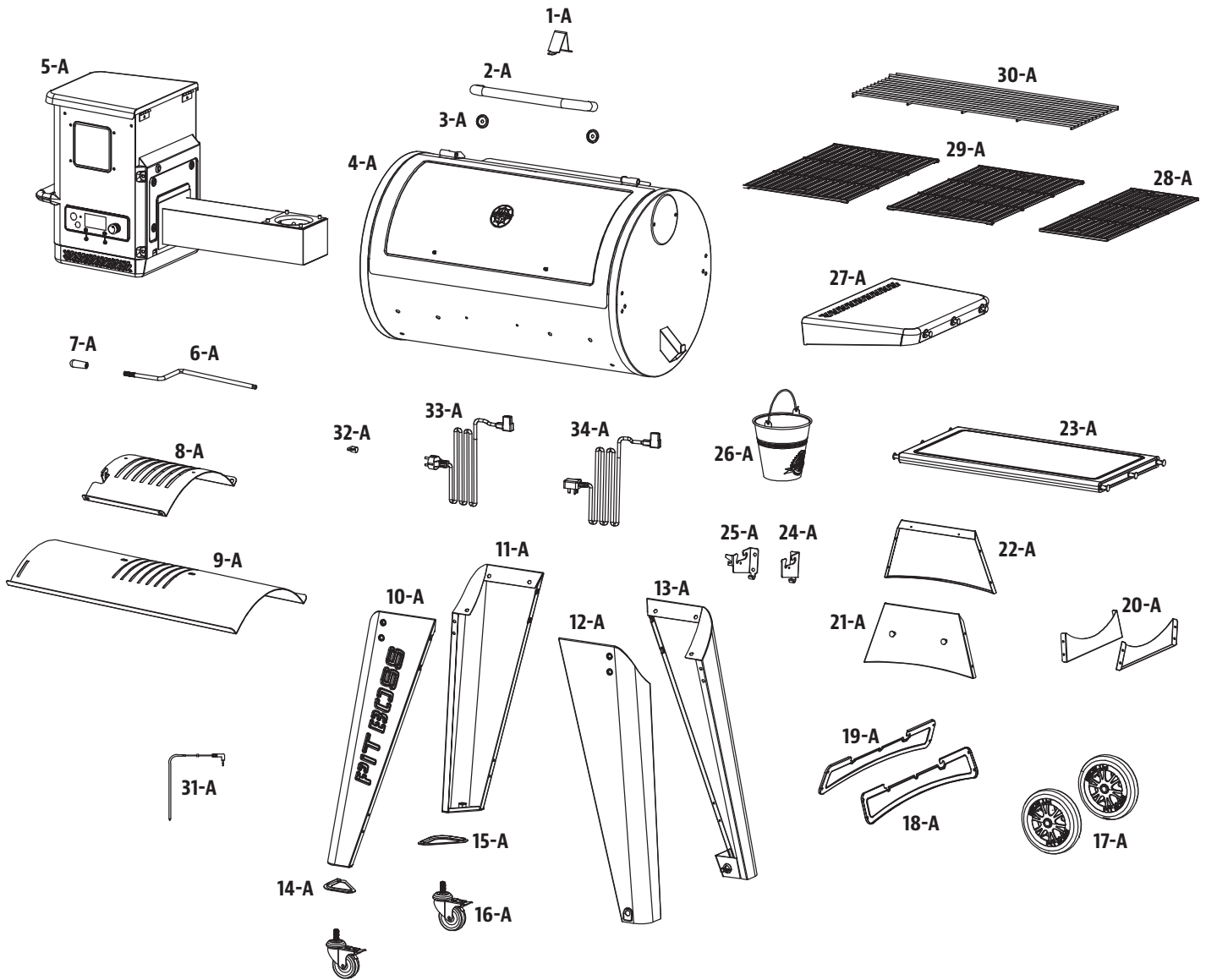
Dalis Nr.	Aprašymas
22-A	Galinė ilgoji atraminė plokštė (1)
23-A	Priekinė lentyna (1)
24-A	Dešinysis priekinės lentynos laikiklis (1)
25-A	Kairysis priekinės lentynos laikiklis (1)
26-A	Riebalų surinkimo kibirėlis (1)
27-A	Staliukas, skirtas tvirtinti dešinėje pusėje (1)
28-A	Kepimo grotelės A (1)
29-A	Kepimo grotelės B (2)
30-A	Šildymo lentyna (1)
31-A	Mėsos zondas (1)
32-A	Maitinimo laido spaustukas (x1)
33-A	Maitinimo laidas – F kištukas (x1)
34-A	Maitinimo laidas – G kištukas (x1)
A	Varžtas (18)
B	Poveržlė (18)
C	Fiksavimo poveržlė (18)
D	Varžtas (30)
E	Varžtas (4)
F	Rato ašies kaištis (2)
G	Rato kaištis (2)
H	Rato poveržlė (2)

PASTABA. Dėl nuolatinio gaminių tobulinimo dalys gali keistis nepranešus.

Diagramos iliustracija kitame puslapyje.

MODELIS	SURINKTAS PRIETAISAS (PxAxG)	PRIETAISO SVORIS	KEPIMO PLOTAS	TEMP. DIAPAZONAS	SKAITMENINĖS FUNKCIJOS
PB PB850G	1472mm x 1195mm x 940mm / 57,9" x 47" x 37"	74,5kg / 164,24 lb	Pagrindinis - 3825,8 cm <sup>2</sup> / 593 kv. col. Viršutinė lentyna - 1845,2 cm <sup>2</sup> / 286 kv. col. <b>IŠ VISO - 5671 cm<sup>2</sup> / 879 kv. col.</b>	82-260°C / 180-500°F	Dešimt išankstinių temperatūros nustatymų, paleidimo ir atvėsimos ciklai, elektrinis uždegiklis

# PB850G KEPSNINĒS ATSARGINĒS DAĻYS



## PB1150G KEPSNINĖS ATSARGINĖS DALYS

Dalis Nr.	Aprašymas
1-A	Dangčio fiksatorius (1)
2-A	Dangčio rankena (1)
3-A	Dangčio rankenos apsodas (2)
4-A	Pagrindinis cilindras (1)
5-A	Piltuvo komplektas (1)
6-A	Kepsninės plokštės reguliavimo sklendė (1)
7-A	Kepsninės plokštės reguliavimo sklendės rankenėlė (1)
8-A	Kepsninės slankiojanti plokštė (1)
9-A	Kepsninės pagrindinė plokštė (1)
10-A	Kairioji priekinė koja (1)
11-A	Kairioji galinė koja (1)
12-A	Dešinioji priekinė koja (1)
13-A	Dešinioji galinė koja (1)
14-A	Kairiosios priekinės kojos apdailos detalė (1)
15-A	Kairiosios galinės kojos apdailos detalė (1)
16-A	Pasukamas ratukas su stabdžiu (2)
17-A	Ratas (2)
18-A	Dešinioji apatinė atraminė plokštė (1)
19-A	Kairioji apatinė atraminė plokštė (1)
20-A	Trumpa atraminė plokštė (2)
21-A	Priekinė ilgoji atraminė plokštė (1)
22-A	Galinė ilgoji atraminė plokštė (1)

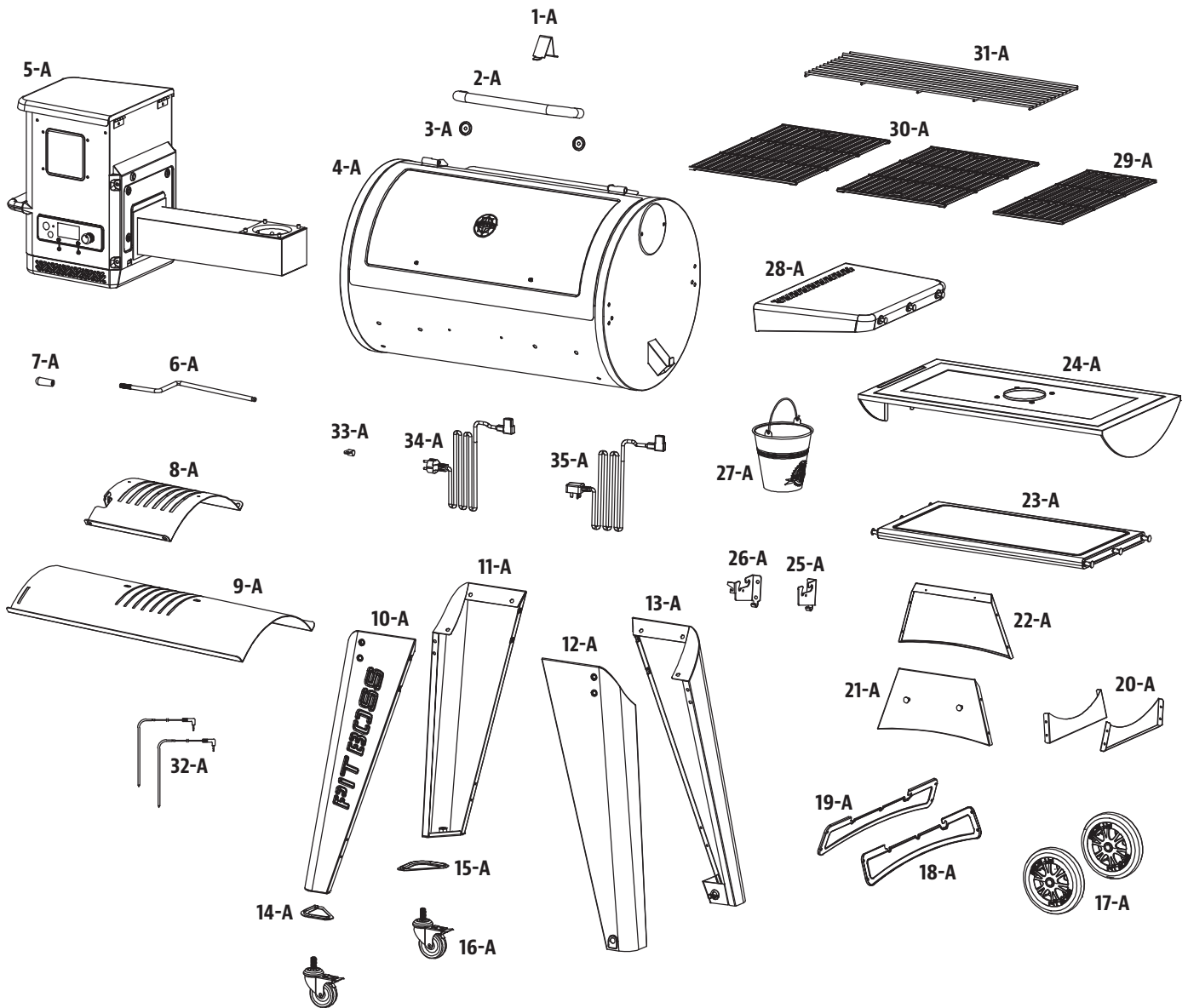
Dalis Nr.	Aprašymas
23-A	Priekinė lentyna (1)
24-A	Skaldytuvo plokštė (1)
25-A	Dešinysis priekinės lentynos laikiklis (1)
26-A	Kairysis priekinės lentynos laikiklis (1)
27-A	Riebalų surinkimo kibirėlis (1)
28-A	Staliukas, skirtas tvirtinti dešinėje pusėje (1)
29-A	Kepimo grotelės A (1)
30-A	Kepimo grotelės B (2)
31-A	Šildymo lentyna (1)
32-A	Mėsos zondas (2)
33-A	Maitinimo laido spaustukas (x1)
34-A	Maitinimo laidas – F kištukas (x1)
35-A	Maitinimo laidas – G kištukas (x1)
A	Varžtas (18)
B	Poveržlė (18)
C	Fiksavimo poveržlė (18)
D	Varžtas (30)
E	Varžtas (6)
F	Rato ašies kaištis (2)
G	Rato kaištis (2)
H	Rato poveržlė (2)

PASTABA. Dėl nuolatinio gaminių tobulinimo dalys gali keistis nepranešus.

Diagramos iliustracija kitame puslapyje.

MODELIS	SURINKTAS PRIETAISAS (PxAxG)	PRIETAISO SVORIS	KEPIMO PLOTAS	TEMP. DIAPAZONAS	SKAITMENINĖS FUNKCIJOS
PB PB1150G	1622mm x 1195mm x 940mm / 63,86" x 47" x 37"	84 kg / 185,19 lb	Pagrindinis - 4587,1 cm <sup>2</sup> / 711 kv. col. Viršutinė lentyna - 2883,9 cm <sup>2</sup> / 447 kv. col. <b>IŠ VISO - 7471 cm<sup>2</sup> / 1158 kv. col.</b>	82-260°C / 180-500°F	Dešimt išankstinių temperatūros nustatymų, paleidimo ir atvėsimo ciklai, elektrinis uždegiklis

# PB1150G KEPSNINĖS ATSARGINĖS DALYS

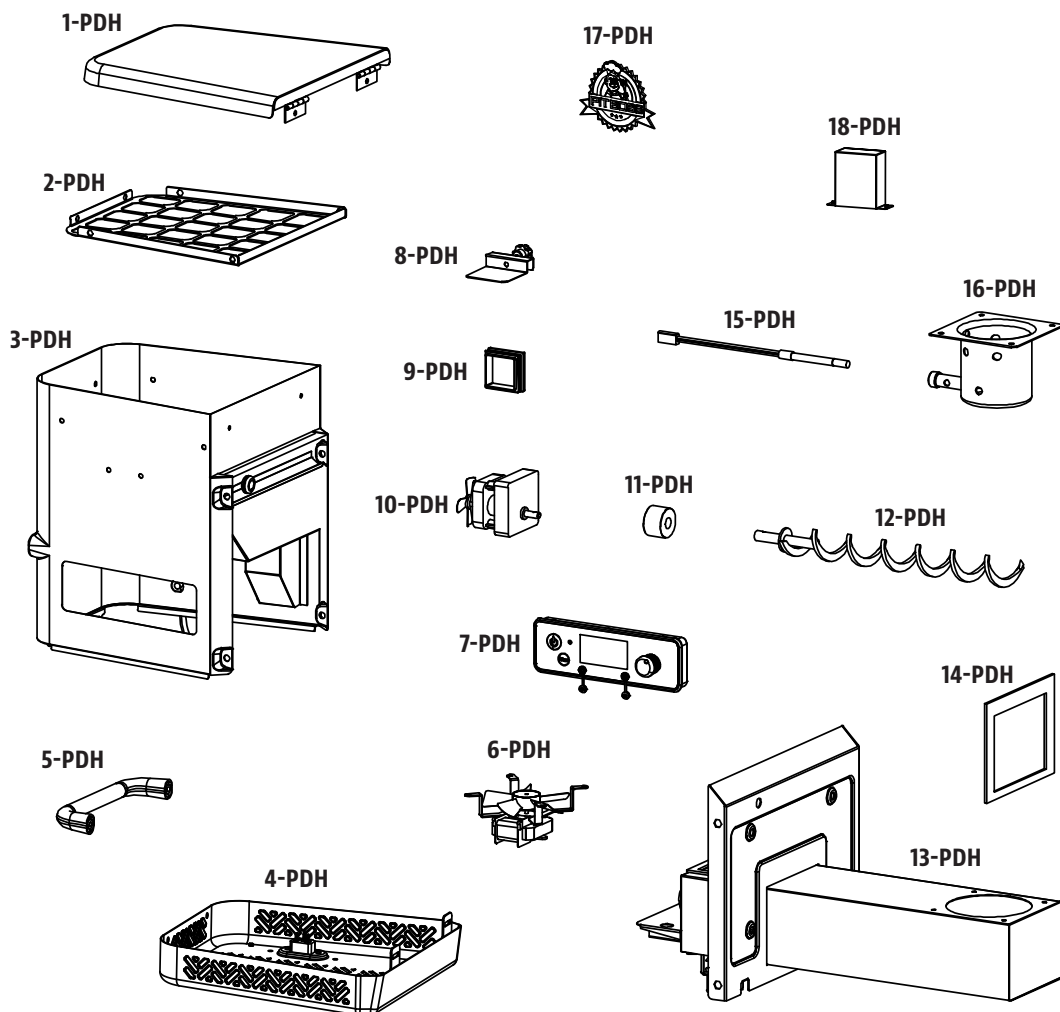


# PB550G PILTUVO ATSARGINĖS DALYS

Dalis Nr.	Aprašymas
1-PDH	Piluvo dangtis (x1)
2-PDH	Piluvo saugos skydelis (x1)
3-PDH	Piluvo dėžės korpusas (x1)
4-PDH	Piluvo prieigos plokštė (x1)
5-PDH	Piluvo rankena (x1)
6-PDH	Ventiliatorius (x1)
7-PDH	„Pit Boss“ valdymo plokštė (x1)
8-PDH	Latako plokštelė (x1)
9-PDH	Latako dangtelis (x1)

Dalis Nr.	Aprašymas
10-PDH	Sraigto variklis (x1)
11-PDH	Nailoninė įvorė (x1)
12-PDH	Sraigto įvijos komplektas (x1)
13-PDH	Sraigto dėžės korpusas (x1)
14-PDH	Piluvo korpuso tarpiklis (x1)
15-PDH	Uždegiklis (x1)
16-PDH	Ugnies indas (x1)
17-PDH	Pavadinimo plokštelė (x1)
18-PDH	Vandens nepraleidžiantis maitinimo laido dangtelis (x1)

PASTABA. Dėl nuolatinio gaminio tobulinimo dalys gali keistis nepranešus.

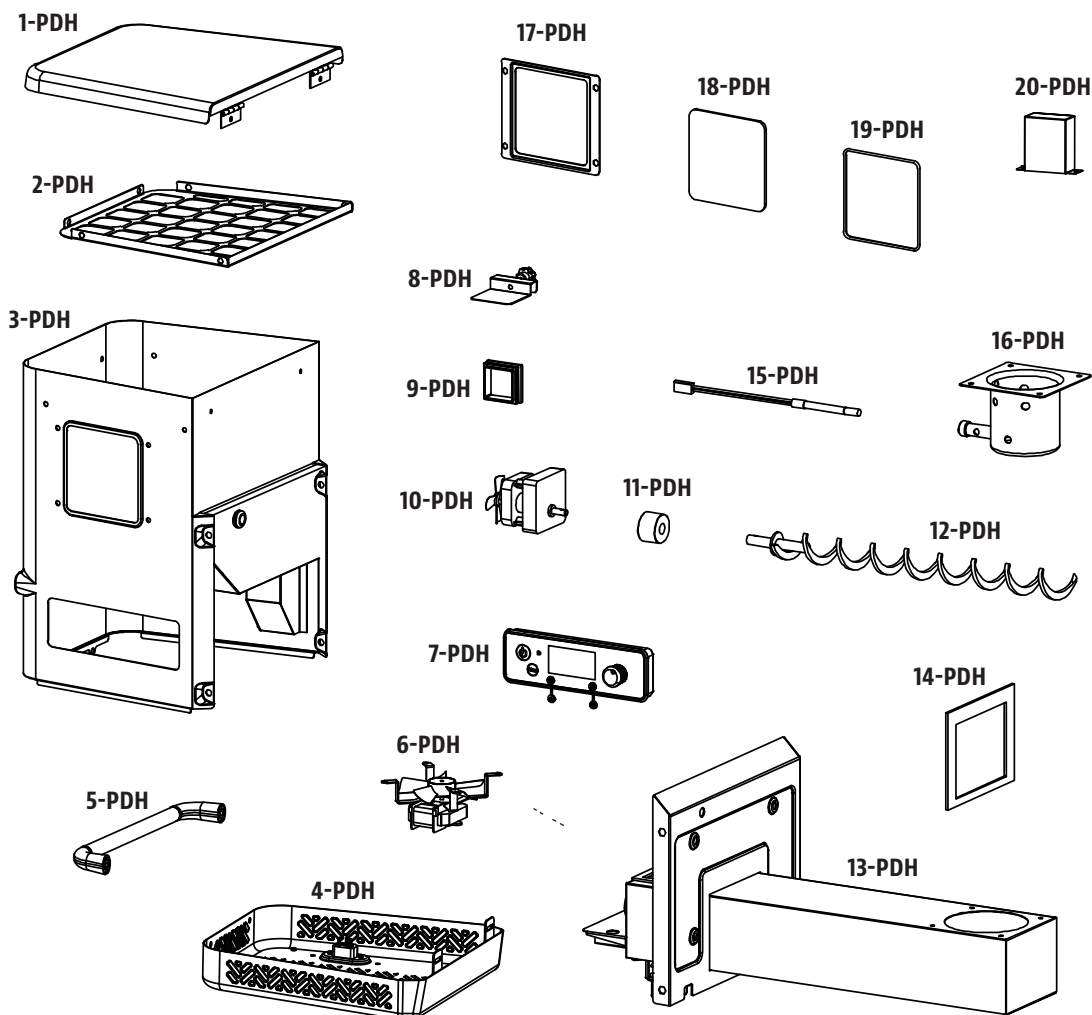


# PB700G / PB850G / PB1150G PILTUVO ATSARGINĖS DALYS

Dalis Nr.	Aprašymas
1-PDH	Piltuvo dangtis (x1)
2-PDH	Piltuvo saugos skydelis (x1)
3-PDH	Piltuvo dėžės korpusas (x1)
4-PDH	Piltuvo prieigos plokštė (x1)
5-PDH	Piltuvo rankena (x1)
6-PDH	Ventiliatorius (x1)
7-PDH	„Pit Boss“ valdymo plokštė (x1)
8-PDH	Latako plokštelė (x1)
9-PDH	Latako dangtelis (x1)
10-PDH	Sraigto variklis (x1)

Dalis Nr.	Aprašymas
11-PDH	Nailoninė įvorė (x1)
12-PDH	Sraigto įvijos komplektas (x1)
13-PDH	Sraigto dėžės korpusas (x1)
14-PDH	Piltuvo korpuso tarpiklis (x1)
15-PDH	Uždegiklis (x1)
16-PDH	Ugnies indas (x1)
17-PDH	Stiklinė plokštė (x1)
18-PDH	Stiklas (x1)
19-PDH	Guminis sandariklis (x1)
20-PDH	Vandens nepraleidžiantis maitinimo laido dangtelis (x1)

PASTABA. Dėl nuolatinio gaminio tobulinimo dalys gali keistis nepranešus.



# GARANTĪJA

## NOSACĪJUMI

Visiem Pit Boss® koksnes granulu griliem, kuru ražotājs ir Dansons Inc., ierobežota garantija tiek nodrošināta no pārdošanas datuma sākotnējam īpašniekam. Garantijas segums sākas pirkuma sākotnējā datumā, un garantijas apstiprināšanai ir nepieciešams pirkuma datuma pierādījums vai oriģinālā pārdošanas rēķina kopija. Ja klienti nevar nodrošināt pirkuma apliecinājumu vai ir beigusies garantija, klientiem tiek piemērota maksa par daļām, sūtīšanu un apstrādi.

Dansons nodrošina piecu (5) gadu garantiju pret visu daļu defektiem un izstrādi, kā arī piecu (5) gadu garantiju elektrokomponentiem. Dansons garantē, ka nevienai daļai nebūs materiāla un izstrādes defektu sākotnējā pircēja izmantošanas un piederības periodā. Garantija neaptver nolietojuma un nodiluma izraisītus bojājumus, piemēram, skrāpējumus, iespiedumus, iesitumus, robus vai sīkas kosmētiskas plaisas. Šis grila estētiskā izskata izmaiņas neietekmē tā veiktspēju. Nevienas daļas remonta vai nomaiņas garantija nepārsniedz ierobežoto garantiju, kas ir pieci (5) gadi kopš pirkuma datuma.

Garantijas termiņa laikā Dansons saistības attiecas tikai uz tādu komponentu nomaiņas nodrošināšanu, kuriem ir konstatēts defekts un/vai radusies atteice. Garantijas perioda laikā Dansons nepiemēro maksu par atgriezto daļu remontu vai nomaiņu (ar sūtīšanas priekšapmaksu), ja pārbaudes laikā Dansons konstatē, ka daļai(-ām) ir defekts. Dansons neuzņemas atbildību par transportēšanas izmaksām, darba izmaksām un eksporta nodevām. Izņemot šajos garantijas nosacījumos norādīto, daļu remonts vai nomaiņa šeit iepriekš minētajā veidā un laika periodā aptver visu tiešo un atvasināto Dansons saistību un pienākumu pret jums izpildi.

Dansons veic visus piesardzības pasākumus, lai izmantotu materiālus, kas aizkavē rūsēšanu. Tomēr pat ar šo aizsardzību aizsargpārklājumus var nelabvēlīgi ietekmēt dažādas vielas un apstākļi, kas nav Dansons kontrolē. Augsta temperatūra, pārmērīgs mitrums, hlors, industriālie izgarojumi, mēslojums, zālāja pesticīdi un sāļi ir tikai dažas no vielām, kas var ietekmēt metāla pārklājumus. Šo iemeslu dēļ garantija neattiecas uz rūsū vai oksidāciju, ja vien grila komponentam nav zudusi struktūras viengabalainība. Ja rodas kādi no iepriekš minētajiem apstākļiem, lūdzu, skatiet kopšanas un apkopes sadaļu, lai uzzinātu, kā paildzināt ierīces darbību. Dansons iesaka izmantot grila pārsegu, kad grils netiek lietots.

Šīs garantijas pamatā ir grila normāla izmantošana sadzīvē un apkalpošanā, un ierobežotās garantijas segums neattiecas uz grilu, kas tiek izmantots komerciāliem nolūkiem.

## IZŅĒMUMI

Pit Boss® griliem nav ne rakstiskas, ne netiešas snieguma garantijas, jo ražotājs nevar kontrolēt uzstādīšanu, ekspluatāciju, tīrīšanu, apkopi un dedzinātā kurināmā veidu. Šī garantija netiek piemērota un Dansons neuzņemas atbildību, ja jūsu ierīce nav uzstādīta, ekspluatēta, tīrīta un uzturēta stingrā atbilstībā šai lietotāja rokasgrāmatai. Ja notiek jebkāda šajā rokasgrāmatā nenorādīta gāzes izmantošana, tas var būt garantijas anulēšanas iemesls. Garantija neattiecas uz bojājumiem un lūzumiem, ko izraisījusi nepienācīga vai nepareiza izmantošana vai modifikācijas.

Ne Dansons, ne pilnvarots Pit Boss® dīleris neuzņemas ne juridisku, ne arī kādu citu atbildību par nejaušiem vai izrietošiem kaitējumiem īpašumam vai personām, kas izriet no šī izstrādājuma izmantošanas. Ja pret Dansons tiek iesniegta prasība, kuras pamatā ir šīs garantijas vai jebkura cita veida tiešas vai netiešas ar likumu noteiktas garantijas pārkāpums, ražotājs nekādā gadījumā neuzņemas atbildību ne par kādiem tiešiem, netiešiem, izrietošiem vai citiem jebkāda rakstura kaitējumiem, kas pārsniedz šī izstrādājuma sākotnējo pirkumu. Visas ražotāja garantijas ir izklāstītas šeit, un ražotājam nevar tikt iesniegtas nekādas prasības par garantiju vai pārstāvību.

Dažās valstīs nav atļauts izslēgt vai ierobežot netiešos vai izrietošos kaitējumus, tāpēc šajā ierobežotajā garantijā izklāstītie ierobežojumi var neattiekties uz jums. Šī ierobežotā garantija jums piešķir specifiskas likumīgās tiesības, un jums var būt citas tiesības, kas dažādās valstīs atšķiras.



## REZERVES DAĻU PASŪTĪŠANA

Lai pasūtītu rezerves daļas, lūdzu, sazinieties ar vietējo Pit Boss® dileri vai apmeklējiet mūsu tiešsaistes veikalu šeit: [www.pitboss-grills.com](http://www.pitboss-grills.com)

## SAZINĀTIES AR KLIENTU APKALPOŠANAS DIENESTU

Ja jums ir jautājumi vai problēmas, sazinieties ar klientu apkalpošanas dienestu pirmdien-svētdien no plkst. 4.00 līdz 20.00 pēc PST (Klusā okeāna piekrastes joslas laika) (EN/FR/ES).

[service@pitboss-grills.com](mailto:service@pitboss-grills.com) | **Bezmaksas tālrunis: 1-877-303-3134** | **Bezmaksas fakss: 1-877-303-3135**

## GARANTIJAS PAKALPOJUMS

Par remontu vai rezerves daļām sazinieties ar tuvāko Pit Boss® dileri. Garantijas prasības noteikšanai saskaņā ar Dansons Inc. prasībām ir nepieciešams pirkuma apliecinājums, tāpēc saglabājiet savu sākotnējo pirkuma čeku vai rēķinu turpmākām atsaucēm. Sava Pit Boss® sērijas un modeļa numuru varat atrast piltuves aizmugurē. Pierakstiet šos numurus zemāk, jo etiķete var nolietoties vai kļūt nesalasāma.

---

MODELIS

---

SĒRIJAS NUMURS

---

PIRKUMA DATUMS

---

PILNVAROTAIS DĪLERIS



## IMPORTANT

### DO NOT RETURN PRODUCT TO STORE

For all questions, comments, or inquiries, please contact Dansons directly. Our Customer Service department is available Monday through Sunday, 4am - 8pm PST (EN/FR/ES).

**TOLL FREE: 1-877-303-3134**

**TOLL FREE FAX: 1-877-303-3135**

## IMPORTANT

### NE RETOURNEZ PAS LE PRODUIT AU MAGASIN

Pour toute questions, commentaires ou demandes de renseignements, veuillez communiquer avec Dansons directement. Le service à la clientèle est ouvert du lundi au dimanche, de 4 h à 20 h HP (ANG / FR / ES).

**NUMÉRO SANS FRAIS : 1-877-303-3134**

**TÉLÉCOPIEUR SANS FRAIS : 1-877-303-3135**

## ¡¡IMPORTANTE!

### NO DEVUELVA EL PRODUCTO A LA TIENDA

Para el preguntas, comentarios o consultas, por favor contactar Dansons directamente. Nuestro departamento de servicio al cliente está disponible lunes a viernes de 4:00 a.m. a 8:00 p.m. tiempo del Pacífico.

**LLAMADA GRATUITA: 1-877-303-3134**

**FAX GRATUITO: 1-877-303-3135**

## WICHTIG

### PRODUKT NICHT INS LAGER ZURÜCKSCHICKEN

Bei Fragen, Kommentaren oder Anfragen wenden Sie sich bitte direkt an Dansons. Unsere Kundendienstabteilung ist montags bis sonntags von 4 bis 20 Uhr PST (EN/FR/ES) erreichbar.

**GEBÜHRENFREI: 1-877-303-3134**

**GEBÜHRENFREIES FAX: 1-877-303-3135**

## IMPORTANTE

### NON RESTITUIRE QUESTO PRODOTTO AL NEGOZIO

Per ogni domanda, commento o richiesta, rivolgersi direttamente a Dansons. Il nostro ufficio per l'Assistenza alla clientela è a d disposizione da lunedì a domenica, dalle 4 alle 20, fuso orario Pacifico (inglese/francese/spagnolo).

**NUMERO VERDE: 1-877-303-3134**

**NUMERO VERDE FAX: 1-877-303-3135**

MADE IN CHINA | FABRIQUÉ EN CHINE | HECHO EN CHINA  
IN CHINA HERGESTELLT | FABBRICATO IN CINA



780210427UMV

