

ASSEMBLY GUIDE | GUIDE D'ASSEMBLAGE GUÍA DE MONTAJE | MONTAGEANLEITUNG | GUIDA DI MONTAGGIO



PIT BOSS® NAVIGATOR

MODEL / MODÈLE / MODELO / MODELL / MODELLO : PB850G
PART / PIÈCE / PARTE / TEIL / PARTE : 10615



WOOD PELLET GRILL & SMOKER

IMPORTANT, READ CAREFULLY, RETAIN FOR FUTURE REFERENCE. MANUAL MUST BE READ BEFORE OPERATING!

FUMOIR ET GRIL À GRANULÉS DE BOIS

IMPORTANT, PRENEZ CONNAISSANCE DE CE DOCUMENT ET CONSERVEZ-LE POUR RÉFÉRENCE ULTÉRIEURE. VOUS DEVEZ LIRE CE GUIDE AVANT D'UTILISER LE BARBECUE!

PARRILLA Y AHUMADOR DE PELLETS DE MADERA

IMPORTANTE, LEER DETENIDAMENTE, CONSERVAR PARA REFERENCIA FUTURA. LEA EL MANUAL ANTES DEL USO!

WARNING: PLEASE READ THE ENTIRE MANUAL BEFORE INSTALLATION AND USE OF THIS ELECTRIC, PELLET FUEL-BURNING APPLIANCE. FAILURE TO FOLLOW THESE INSTRUCTIONS COULD RESULT IN PROPERTY DAMAGE, BODILY INJURY OR EVEN DEATH. CONTACT LOCAL BUILDING OR FIRE OFFICIALS ABOUT RESTRICTIONS AND INSTALLATION INSPECTION REQUIREMENTS IN YOUR AREA.

AVERTISSEMENT : VEUILLEZ LIRE L'INTÉGRALITÉ DU MANUEL AVANT L'INSTALLATION ET L'UTILISATION DE CET APPAREIL ÉLECTRIQUE À COMBUSTION DE GRANULÉS DE BOIS. LE NON-RESPECT DE CES INSTRUCTIONS PEUT ENTRAÎNER DES DOMMAGES MATÉRIELS, DES DOMMAGES CORPORELS OU MÊME LA MORT. CONTACTEZ LES AUTORITÉS LOCALES COMPÉTENTES CONCERNANT LES RESTRICTIONS ET LES EXIGENCES D'INSPECTION EN VIGUEUR DANS VOTRE RÉGION.

ADVERTENCIA: LEA TODO EL MANUAL ANTES DE INSTALAR Y USAR ESTA UNIDAD QUE FUNCIONA CON ELECTRICIDAD Y COMBUSTIÓN DE PELLETS. SI NO SE SIGUEN ESTAS INSTRUCCIONES, PUEDEN PRODUCIRSE DAÑOS MATERIALES, LESIONES CORPORALES O INCLUSO LA MUERTE. PARA CONSULTAR LAS RESTRICCIONES Y REQUISITOS DE INSPECCIÓN DE LAS INSTALACIONES DE SU ZONA, PÓNGASE EN CONTACTO CON LOS ENCARGADOS DE EDIFICIO O EL DEPARTAMENTO DE BOMBEROS.

ACHTUNG: BITTE LESEN SIE DIE GESAMTE ANLEITUNG SORGFÄLTIG DURCH, BEVOR SIE DIESER ELEKTRISCHE, PELLETBEFEUERTER GERÄT INSTALLIEREN UND BENUTZEN. DIE NICHTBEACHTUNG DIESER ANWEISUNGEN KANN ZU SACHSCHÄDEN, KÖRPERVERLETZUNGEN ODER SOGAR ZUM TOD FÜHREN. WENDEN SIE SICH AN LOKALE BAU- ODER BRANDSCHUTZBEHÖRDEN, UM INFORMATIONEN ÜBER EINSCHRÄNKUNGEN UND ANFORDERUNGEN AN DIE INSTALLATIONSINSPEKTION IN IHRER NÄHE ZU ERHALTEN.

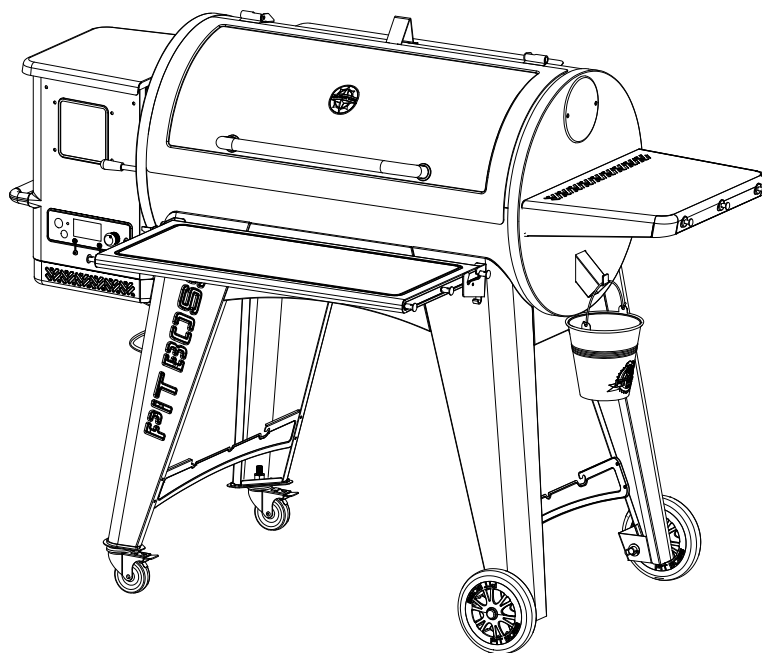
AVVERTENZA: LEGGERE L'INTERO MANUALE PRIMA DELL'INSTALLAZIONE E DELL'USO DI QUESTA APPARECCHIATURA ELETTRICA PER LA COMBUSTIONE DI PELLET. LA MANCATA OSSERVANZA DELLE ISTRUZIONI PUÒ CAUSARE DANNI ALLA PROPRIETÀ, LESIONI FISICHE O MORTE. CONTATTARE LE AUTORITÀ LOCALI COMPETENTI PER L'EDILIZIA O I VIGILI DEL FUOCO PER INFORMAZIONI SULLE RESTRIZIONI E SUI REQUISITI DI ISPEZIONE DEGLI IMPIANTI NELLA PROPRIA ZONA.

HOLZPELLET-GRILL UND SMOKER

WICHTIG: AUFMERKSAM LESEN UND GUT AUFBEWAHREN BITTE UNBEDINGT VOR GEBRAUCH DIE BEDIENUNGSANLEITUNG SORGFÄLTIG DURCHLESEN!

GRIGLIA A PELLETTI DI LEGNO CON AFFUMICATORE

IMPORTANTE: LEGGERE ATTENTAMENTE E CONSERVARE PER RIFERIMENTO FUTURO. LEGGERE IL MANUALE PRIMA DELL'USO.



For outdoor and household use only. Not for commercial use.
Réservé à l'usage extérieur et résidentiel uniquement. Non destiné à un usage commercial.
Solo para uso doméstico y en el exterior. No apto para uso comercial.
Bitte nur im Freien und privat nutzen. Nicht für die gewerbliche Anwendung geeignet.
Solo per uso domestico ed esterno. Non per uso commerciale.



COPYRIGHT NOTICE

Copyright 2021. All right reserved. No part of this manual may be copied, transmitted, transcribed, stored in a retrieval system, in any form or by any means without expressed written permission of,

Dansons

3411 North 5th Avenue, Suite 500, Phoenix, AZ, USA 85013
sales@pitboss-grills.com | service@pitboss-grills.com

www.pitboss-grills.com

Customer Service

Monday through Sunday, 4am - 8pm PST (EN/FR/ES)

Toll-Free: 1-877-303-3134, Fax: 1-877-303-3135

TABLE OF CONTENTS

- Parts & Specs..... 3
- Assembly Preparation..... 5
- Assembly Instructions
 - Securing Feet To Support Legs..... 5
 - Securing Support Plates and Caster Wheels..... 5
 - Securing Support Plates and Wheels..... 6
 - Securing Support Plate To Support Legs For Wheels..... 6
 - Securing Support Plate To Support Legs For Casters..... 6
 - Mounting Main Barrel To The Cart..... 7
 - Securing Support Plates To The Grill..... 7
 - Installing The Lid Stopper 7
 - Installing The Lid Handle..... 8
 - Installing The Flame Broiler Components..... 8
 - Installing Flame Broiler Adjusting Bar..... 8
 - Installing The Side Shelf 9
 - Securing The Front Shelf Brackets..... 9
 - Installing The Front Shelf 9
 - Installing The Grill Cooking Components 10
 - Installing Grease Bucket 10
 - Connecting To A Power Source..... 10

PARTS & SPECS

Part#	Description
1	Lid Stopper (x1)
2	Lid Handle (x1)
3	Lid Handle Bezel (x2)
4	Main Barrel/Hopper Assembly (x1)
5	Flame Broiler Adjusting Bar (x1)
6	Flame Broiler Adjusting Bar Handle (x1)
7	Flame Broiler Slider (x1)
8	Flame Broiler Main Plate (x1)
9	Left Front Leg (x1)
10	Left Back Leg (x1)
11	Right Front Leg (x1)
12	Right Back Leg (x1)
13	Left Front Leg Trim Piece (x1)
14	Left Back Leg Trim Piece (x1)
15	Swivel Caster with Brake (x2)
16	Wheel (x2)
17	Right Bottom Support Plate (x1)
18	Left Bottom Support Plate (x1)
19	Short Support Plate (x2)
20	Front Long Support Plate (x1)
21	Back Long Support Plate (x1)
22	Front Shelf (x1)
23	Front Shelf Bracket Right (x1)
24	Front Shelf Bracket Left (x1)
25	Grease Bucket (x1)
26	Right Side Table (x1)
27	Cooking Grid A (x1)
28	Cooking Grid B (x2)
29	Warming Rack (x1)
30	Meat Probe (x1)

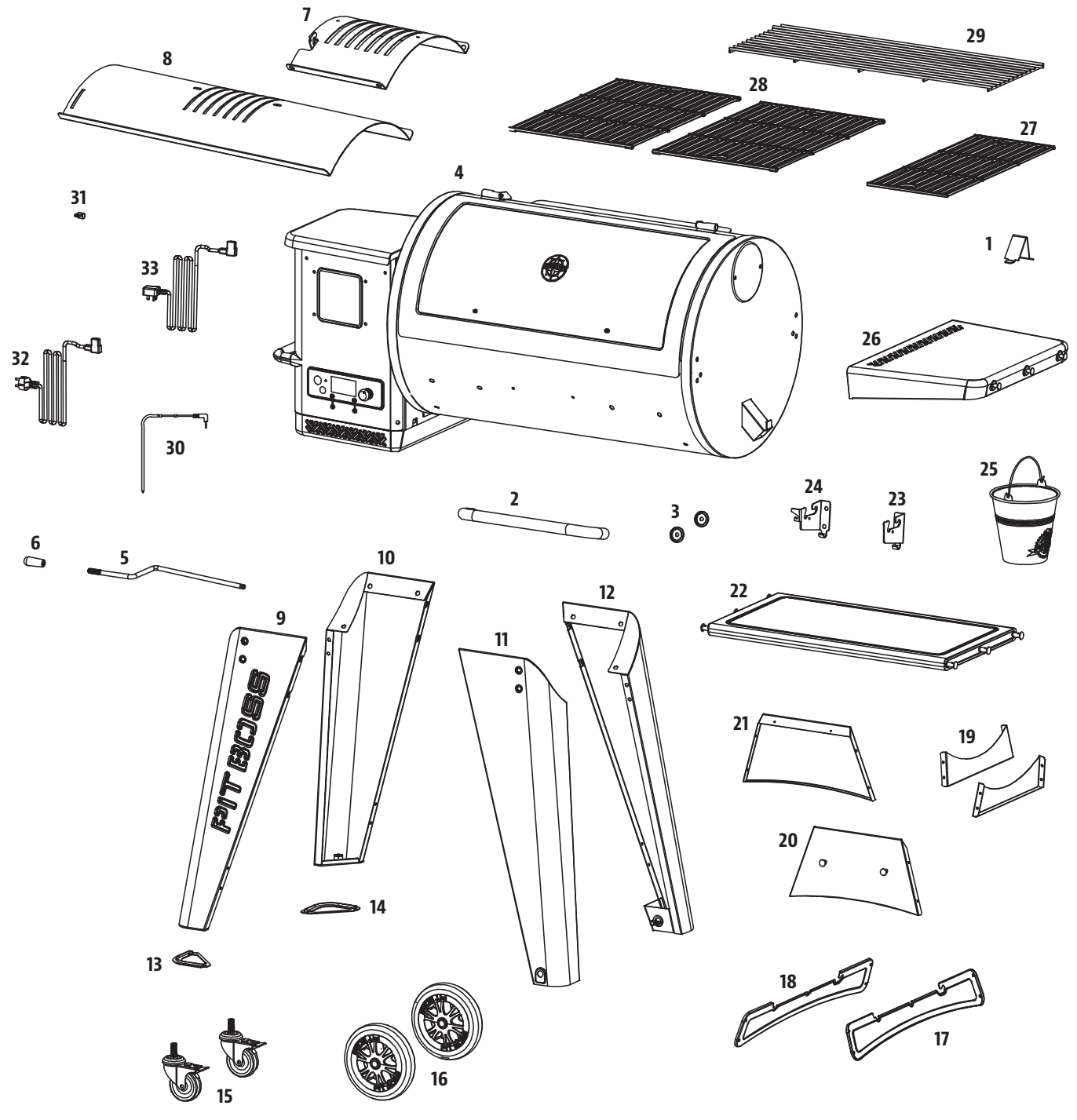
Part#	Description
31	Power Cord Clip (x1)
32	Power Cord - F Plug (x1)
33	Power Cord - G Plug (x1)
A	Screw (x18)
B	Washer (x18)
C	Locking Washer (x18)
D	Screw (x30)
E	Screw (x4)
F	Wheel Axle Pin (x2)
G	Wheel Cotter Pin (x2)
H	Wheel Washer (x2)

NOTE: Due to ongoing product development, parts are subject to change without notice. Contact Customer Service if parts are missing when assembling the unit.

PB – ELECTRIC REQUIREMENTS
220-240 V, 50 Hz, 250 W, GROUNDED PLUG

Diagram Illustration on next page.

MODEL	UNIT ASSEMBLED (WxHxD)	UNIT WEIGHT	COOKING AREA	TEMP. RANGE	DIGITAL FEATURES
PB PB850G	1,472mm x 1,195mm x 940mm / 57.9" x 47" x 37"	74.5 kg / 164.24 lb	Main - 3,825.8 cm ² / 593 sq. in. Upper Rack - 1,845.2 cm ² / 286 sq. in. TOTAL - 5,671 cm² / 879 sq. in.	82-260°C / 180-500°F	Ten temperature presets, start-up and cool-down cycles, electric igniter



ASSEMBLY PREPARATION

Parts are located throughout the shipping carton, including underneath the grill. Inspect the grill, parts, and hardware blister pack after removing from the protective shipping carton. Discard all packaging materials from inside and outside of the grill before assembly, then review and inspect all parts by referencing the parts list. If any part is missing or damaged, do not attempt to assemble. Shipping damage is not covered under warranty. Contact your dealer or Pit Boss® Customer Service for parts: Monday through Sunday, 4am - 8pm PST (EN/FR/ES).

service@pitboss-grills.com | Toll-Free: 1-877-303-3134 | Toll-Free Fax: 1-877-303-3135

IMPORTANT: To ease installation and avoid injury, use two people when assembling this appliance.

Tools required for assembly: screwdriver and level. *Tools not included.*



ASSEMBLY INSTRUCTIONS

IMPORTANT: It is advised to read each step entirely before starting assembly on instructions. Do not tighten screws completely until all screws for that step have been installed. Hardware combination involving a locking washer and washer should be installed with the locking washer closest to the head of the screw.

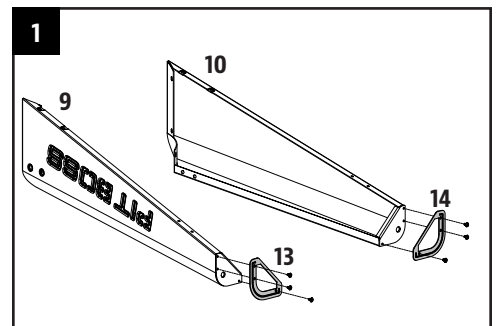
1. SECURING FEET TO SUPPORT LEGS

Parts Required:

- 1 x Left Front Leg (#9)
- 1 x Left Back Leg (#10)
- 1 x Left Front Leg Trim Piece (#13)
- 1 x Left Back Leg Trim Piece (#14)
- 6 x Screw (#D)

Installation:

- Use three screws to attach the Left Front Leg Trim Piece to the Left Front Leg for locking caster wheel. Continue to install the Left Back Leg for locking caster wheel and Left Back Leg Trim Piece.



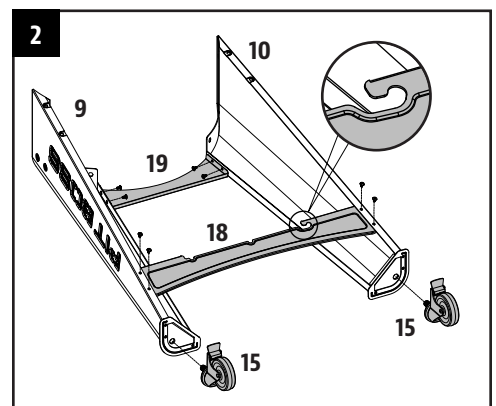
2. SECURING SUPPORT PLATES AND CASTER WHEELS

Parts Required:

- 1 x Left Front Leg (#9)
- 1 x Left Back Leg (#10)
- 1 x Left Bottom Support Plate (#18)
- 1 x Short Support Plate (#19)
- 2 x Swivel Caster with Brake (#15)
- 8 x Screw (#D)

Installation:

- Install one Short Support Plate to the side of the unit between of a Front and Back Support Legs using four screws. Repeat the same installation to mount the Bottom Support Plate to the same legs.
- Insert each Locking Caster Wheel into the Bottom of each Support Leg by hand-tightening into the hole. Ensure the Locking Caster Wheel is inserted completely by ensuring it cannot rotate any further.



NOTE: Make sure Bottom Support Plate is facing up with correct direction.

3. SECURING SUPPORT PLATES AND WHEELS

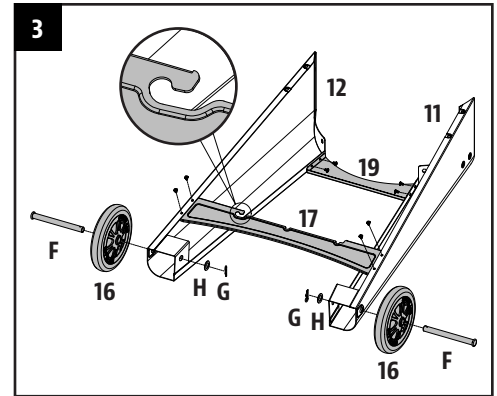
Parts Required:

- 1 x Right Front Leg (#11)
- 1 x Right Back Leg (#12)
- 1 x Right Bottom Support Plate (#17)
- 1 x Short Support Plate (#19)
- 2 x Wheel (#16)
- 8 x Screw (#D)
- 2 x Wheel Axle Pin (#F)
- 2 x Wheel Cotter Pin (#G)
- 2 x Wheel Washer (#H)

Installation:

- Install one Short Support Plate to the side of the unit between of a Front and Back Support Legs using four screws. Repeat the same installation to mount the Bottom Support Plate to the same legs.
- Attach the large Wheel to the Support Leg by inserting the Wheel Axle Pin through the Wheel Support Leg hole, then secure using the Wheel Cotter Pin. Repeat installation for other Wheel on the same side.

NOTE: Make sure Bottom Support Plate is facing up with correct direction.



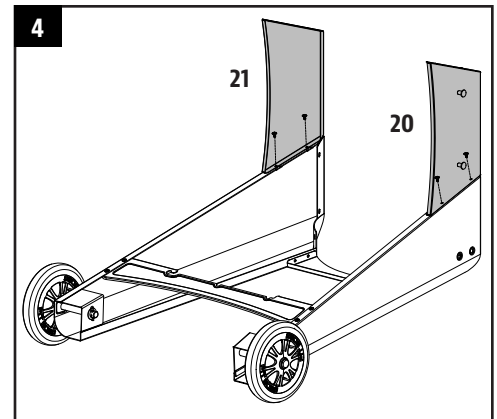
4. SECURING SUPPORT PLATE TO SUPPORT LEGS FOR WHEELS

Parts Required:

- 1 x Front Long Support Plate (#20)
- 1 x Back Long Support Plate (#21)
- 4 x Screw (#D)

Installation:

- Secure one Long Support Plate to one Support Leg for Wheel using two screws. Ensure the flat side of the Support Plate is facing outwards. Repeat the same installation to mount the other Long Support Plate to the other Support Leg.



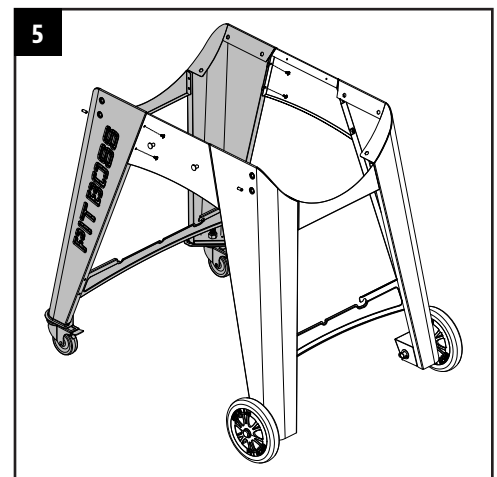
5. SECURING SUPPORT PLATE TO SUPPORT LEGS FOR CASTERS

Parts Required:

- 4 x Screw (#D)

Installation:

- Next, Secure the Long Support Plates to the Support Legs for Caster Wheel. Secure using two screws for each plate.



6. MOUNTING MAIN BARREL TO THE CART

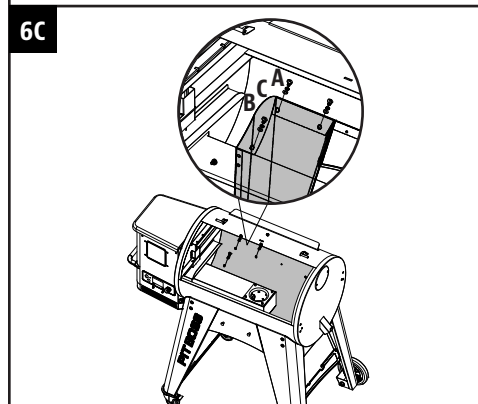
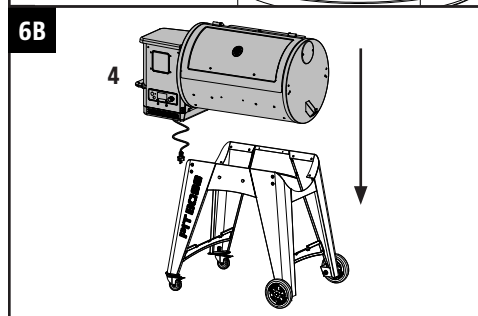
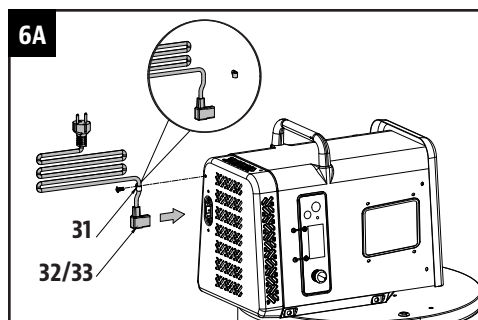
Parts Required:

- 1 x Main Barrel (#4)
- 12 x Screw (#A)
- 12 x Washer (#B)
- 12 x Locking Washer (#C)
- 1 x Power Cord (#32 or #33)
- 1 x Cable Clip (#31)

Installation:

NOTE: There are two Power Cords supplied. Select the Power Cord that is required for your region.

- Place the cable clips on the correct power cord. Insert the power cord into the grove at the bottom of the hopper. Secure the cable clip to the bottom of the hopper with the previously installed screw. Note Illustration 6A.
- Prepare the Main Barrel to be mounted to the Cart. Carefully, lift the Cart into an upright position with the wheels on the bottom. Position the Cart next to the Main Barrel, with both facing the same direction. Lock the Caster Wheels on the Cart. Using a second person, prepare to lift the Main Barrel onto the Cart. With one person lifting from the hopper side, and the other person lifting from the opposing barrel end, carefully lift the Main Barrel, and slowly lower onto the Cart. Note illustration 6B.
- Next, open the Main Barrel lid. Adjust the rotation as needed to align the screw holes of the Main Barrel to the Cart. Once placed, secure each leg to the Main Barrel using three screws, washers, and locking washers. Note illustration 6C.



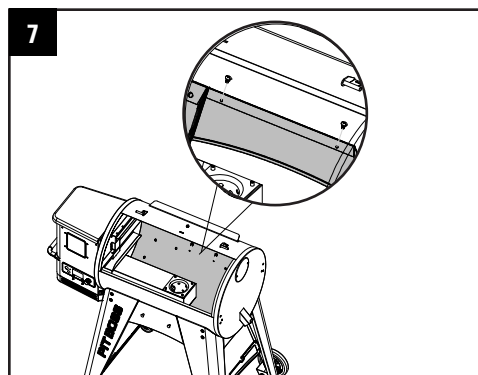
7. SECURING SUPPORT PLATES TO THE GRILL

Parts Required:

- 4 x Screw (#E)

Installation:

- Secure each Long Support Plate to the Main Barrel using two screws.



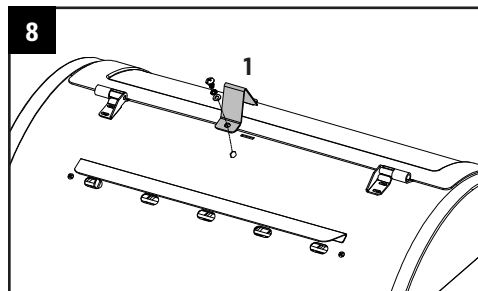
8. INSTALLING THE LID STOPPER

Parts Required:

- 1 x Lid Stopper (#1)

Installation:

- Secure the Lid Stopper onto the top of the Main Barrel using the pre-installed screw on top of the Main Barrel.



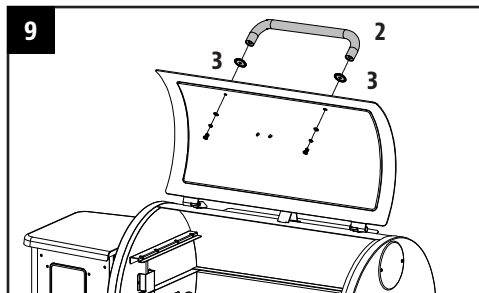
9. INSTALLING THE LID HANDLE

Parts Required:

- 1 x Lid Handle (#2)
- 2 x Lid Handle Bezel (#3)

Installation:

- Remove the pre-installed screws from the Lid Handle. From inside the barrel lid, insert one screw protrude to the outside. Add a Bezel on the screw. Then hand-tighten the screw (from the inside) into the Lid Handle. Repeat for other side.



10. INSTALLING THE FLAME BROILER COMPONENTS

Parts Required:

- 1 x Flame Broiler Main Plate (#8)
- 1 x Flame Broiler Slider (#7)

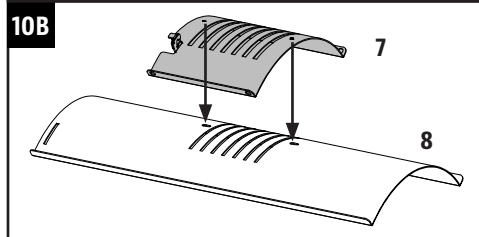
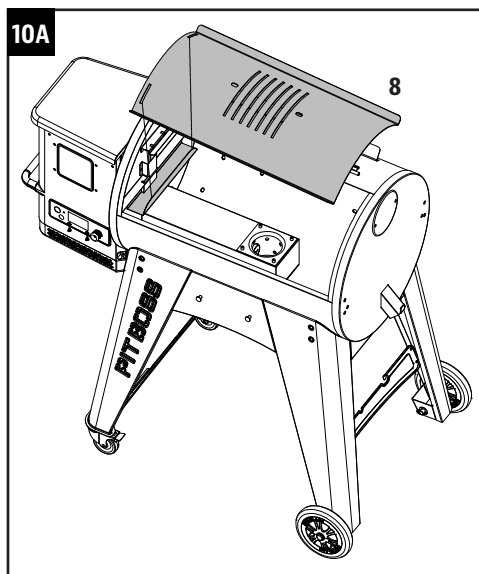
Installation:

- Insert the Flame Broiler Main Plate into the main grill. Rest the Flame Broiler Main Plate on the built-in ledge (on the inside right) of the Main Grill that directs grease towards the grease bucket spout. Slide the entire piece to the left side, and the two slots on the Flame Broiler Main Plate will fit into the rounded ledge above the burn pot. It will sit slightly at a downward angle. Note illustration 10A.

IMPORTANT: If the Main Plate is resting on the base of the Barrel, it is installed incorrectly. Poor installation may result in damage to your Main Grill Barrel.

- Place the Flame Broiler Slider on top of the Flame Broiler Main Plate covering the slotted openings. Ensure the raised tab is on the left and the two pins at the bottom of the Flame Broiler Slider place into the holes of the Flame Broiler Main Plate to easily adjust for direct and indirect flame when cooking. Both flame broiler parts are lightly coated with oil to avoid rusting when shipped. Note illustration 10B.

NOTE: To maintain the searing and grilling performance of your cooking grids, regular care and maintenance is required. See Owner's Manual.



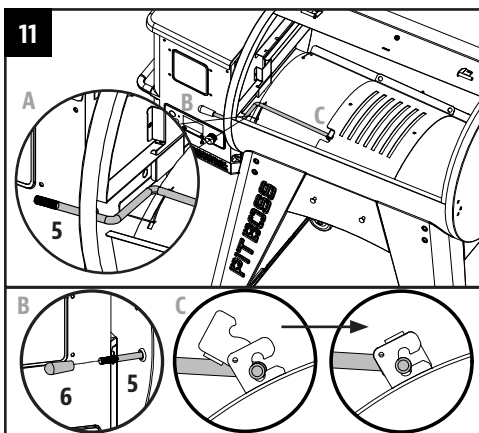
11. INSTALLING FLAME BROILER ADJUSTING BAR

Parts Required:

- 1 x Flame Broiler Adjusting Bar (#5)
- 1 x Flame Broiler Adjusting Bar Handle (#6)

Installation:

- Insert the Flame Broiler Adjusting Bar through the opening hole on the left side of the Main Barrel. Add the Flame Broiler Adjusting Bar Handle on the end outside the Barrel. Next, slide the notched end of the Adjusting Bar into the locking tab on the Flame Broiler Slider, giving you adjustable access to the Flame Broiler Slider on the Main Plate.



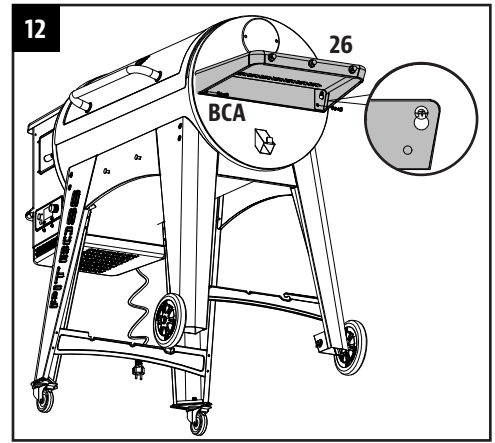
12. INSTALLING THE SIDE SHELF

Parts Required:

- 1 x Side Table (#26)
- 2 x Screw (#A)
- 2 x Washer (#B)
- 2 x Locking Washer (#C)

Installation:

- Loosen the two pre-installed screws from the side of the Main Barrel. Hook up the Side Shelf on the screws first then secure the two pre-loosened screws into place.
- From underneath, secure the Side Shelf to the side panel of the Main Barrel using two screws, washers, and locking washers.



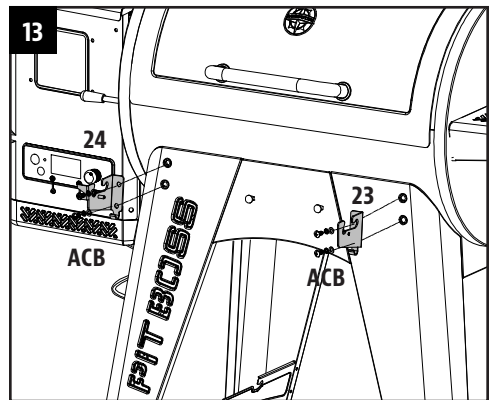
13. SECURING THE FRONT SHELF BRACKETS

Parts Required:

- 1 x Front Shelf Bracket Right (#23)
- 1 x Front Shelf Bracket Left (#24)
- 4 x Screw (#A)
- 4 x Washer (#B)
- 4 x Locking Washer (#C)

Installation:

- Secure each Front Shelf Support Bracket onto the Front Support Leg by using two screws, washers and locking washers.



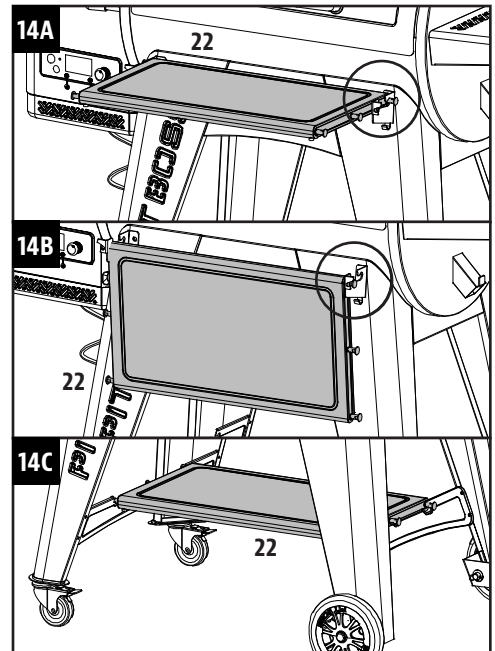
14. INSTALLING THE FRONT SHELF

Parts Required:

- 1 x Front Shelf (#22)

Installation:

- Place the Front Shelf on the Front Shelf Support Brackets. Note illustration 14A as unfolded Front Shelf.
- Note illustration 14B as folded Front Shelf.
- Front Shelf can also be placed on the Bottom Support Plates and be used as Bottom Plate. Note illustration 14C.



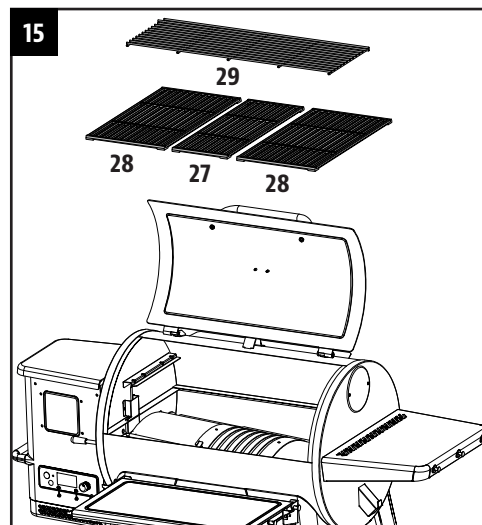
15. INSTALLING THE GRILL COOKING COMPONENTS

Parts Required:

- 1 x Cooking Grid A (#27)
- 2 x Cooking Grid B (#28)
- 1 x Porcelain-Coated Steel Upper Warming Rack (#29)

Installation:

- Place the Cooking Grids, side by side, on the grid ledge inside the Main Grill.
- Place the Upper Cooking Rack on the upper ledge inside the Main Grill. The Warming Rack will lock into place.



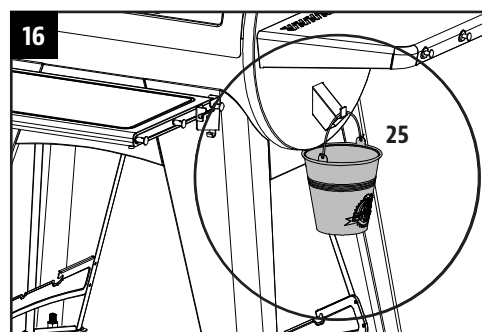
16. INSTALLING THE GREASE BUCKET

Parts Required:

- 1 x Grease Bucket (#25)

Installation:

- Place the Grease Bucket on the spout hook on the end of the Main Barrel. Ensure it is level to avoid grease spills.
- The unit is now completely assembled.



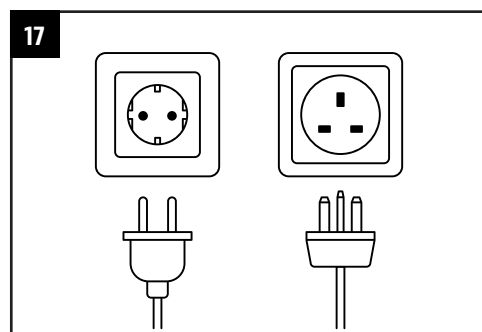
17. CONNECTING TO A POWER SOURCE

NOTE: Before plugging your Pit Boss® into any electrical outlet, ensure the temperature dial is in the OFF position.

- **STANDARD OUTLET**
This appliance requires 220-240 volts, 50hz, 250w service. It must be a grounded plug.

IMPORTANT: Disconnect unit from power source when not in use.

IMPORTANT: Refer to Owner's Manual for Operating Instructions





DÉCLARATION CONCERNANT LES DROITS D'AUTEUR

Copyright 2021. Tous droits réservés. Aucune partie de ce manuel ne peut être copiée, transmise, transcrite ou stockée dans un système d'archivage, sous quelque forme ou par quelque moyen que ce soit, sans l'autorisation expresse écrite de :

Dansons

3411 North 5th Avenue, Suite 500, Phoenix, AZ, USA 85013
sales@pitboss-grills.com | service@pitboss-grills.com
www.pitboss-grills.com

Service clients

Du lundi au dimanche, de 4 h à 20 h HP (EN/FR/ES)

Numéro gratuit : 1-877-303-3134, Fax : 1-877-303-3135

TABLE DES MATIÈRES

Pièces et spécifications	12
Préparation de l'assemblage	14
Instructions d'assemblage	
Fixation des pieds aux pieds de support	14
Fixation des plaques de support et des roulettes pivotantes	15
Fixation des plaques de support et des roues	15
Fixation de la plaque de support aux pieds de support des roues	16
Fixation de la plaque de support aux pieds de support pour roulettes	16
Montage du corps principal sur le chariot	16
Fixation des plaques de support au gril	17
Installation du butoir pour couvercle	17
Installation de la poignée du couvercle	17
Installation des composants du diffuseur de chaleur	18
Installation de la barre de réglage du grilloir à flamme ...	18
Installation de l'étagère latérale	19
Fixation des supports de l'étagère avant	19
Installation de l'étagère avant	19
Installation des composants de cuisson du gril	20
Installation du seau à graisse	20
Connexion à une source d'alimentation	20

FR

FRANÇAIS

PIÈCES ET SPÉCIFICATIONS

FR
FRANÇAIS

N°	Description
1	Butoir pour couvercle (x 1)
2	Poignée pour couvercle (x 1)
3	Bague de la poignée pour couvercle (x 2)
4	Assemblage corps principal / trémie (x 1)
5	Barre de réglage du grilloir à flamme (x 1)
6	Poignée de la barre de réglage du grilloir à flamme (x 1)
7	Plaque coulissante du diffuseur de chaleur (x 1)
8	Plaque principale du diffuseur de chaleur (x 1)
9	Pied avant gauche (x 1)
10	Pied arrière gauche (x 1)
11	Pied avant droit (x 1)
12	Pied arrière droit (x 1)
13	Pièce de garniture pour pied avant gauche (x 1)
14	Pièce de garniture pour pied arrière gauche (x 1)
15	Roue pivotante avec frein (x 2)
16	Roue (x 2)
17	Plaque de maintien inférieure droite (x 1)
18	Plaque de maintien inférieure gauche (x 1)
19	Plaque de maintien courte (x 2)
20	Plaque de maintien longue avant (x 1)
21	Plaque de maintien longue arrière (x 1)
22	Étagère avant (x 1)
23	Support pour étagère avant droit (x 1)
24	Support pour étagère avant gauche (x 1)
25	Seau à graisse (x 1)
26	Plateau latéral droit (x 1)
27	Grille de cuisson A (x 1)
28	Grille de cuisson B (x 2)
29	Support chauffant (x 1)
30	Sonde de cuisson (x 1)

N°	Description
31	Clip du cordon d'alimentation (x1)
32	Cordon d'alimentation - fiche F (x1)
33	Cordon d'alimentation - fiche G (x1)
A	Vis (x 18)
B	Rondelle (x 18)
C	Rondelle de blocage (x 18)
D	Vis (x 30)
E	Vis (x 4)
F	Goupille cannelée pour roue (x 2)
G	Goupille bêta pour roue (x 2)
H	Rondelle pour roue (x 2)

REMARQUE: de par le développement continu du produit, des pièces peuvent faire l'objet de modifications sans préavis. Contactez le service clients si des pièces manquent lors de l'assemblage de l'appareil.

PB – EXIGENCES ÉLECTRIQUES
PRISE DE TERRE DE 220-240 V, 50 Hz ET 250 W

Illustration à la page suivante.

MODÈLE	APPAREIL MONTÉ (L x H x P)	POIDS DE L'APPAREIL	ZONE DE CUISSON	PLAGE DE TEMPÉRATURE	FONCTIONS NUMÉRIQUES
PB PB850G	1472 mm x 1195 mm x 940 mm / 57,9 po x 47 po x 37 po	74,5 kg / 164,24 lb	Principale - 3825,8 cm ² / 593 po ² Grille supérieure - 1 845,2 cm ² / 286 po ² TOTAL - 5 671 cm² / 879 po²	82 à 260 °C/ 180 à 500 °F	Dix préréglages de température, cycles de démarrage et de refroidissement, allumeur électrique

PRÉPARATION DE L'ASSEMBLAGE

Les pièces se trouvent partout dans le carton d'expédition, y compris sous le gril. Inspectez le gril, les pièces et le sachet de quincaillerie après les avoir retirés du carton d'expédition. Débarrassez-vous de tous les emballages intérieurs et extérieurs du gril avant de procéder à l'assemblage, puis passez en revue et inspectez toutes les pièces en vous référant à la liste. Si une pièce manque ou est endommagée, ne procédez pas à l'assemblage. Les dégâts liés à l'envoi ne sont pas couverts par la garantie. Contactez votre revendeur ou le service clients de Pit Boss® concernant ces pièces : du lundi au dimanche, de 4 h à 20 h HNP (EN/FR/ES).

service@pitboss-grills.com | Numéro gratuit : 1-877-303-3134 | Fax : 1-877-303-3135

IMPORTANT : pour faciliter l'installation et éviter des blessures, il est recommandé de mettre deux personnes à contribution lors de l'assemblage de l'appareil.

Outils nécessaires pour l'assemblage : un tournevis et un niveau. *Ces outils ne sont pas fournis.*



INSTRUCTIONS D'ASSEMBLAGE

IMPORTANT : nous vous conseillons de lire entièrement chaque étape avant de procéder à l'assemblage conformément aux instructions. Ne serrez pas totalement les vis avant que toutes les vis de cette étape soient installées. L'assemblage de pièces impliquant une rondelle de blocage et une rondelle doit être effectué en plaçant la rondelle de blocage le plus près possible de la tête de la vis.

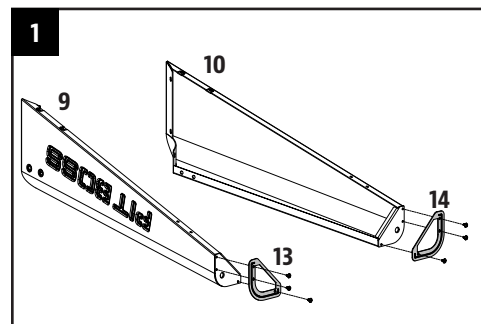
1. FIXATION DES PIEDS AUX PIEDS DE SUPPORT

Pièces nécessaires :

- 1 x Pied avant gauche (n° 9)
- 1 x Pied arrière gauche (n° 10)
- 1 x Pièce de garniture pour pied avant gauche (n° 13)
- 1 x Pièce de garniture pour pied arrière gauche (n° 14)
- 6 x Vis (n° D)

Installation:

- Utilisez trois vis pour fixer la pièce de garniture de le pied avant gauche au pied avant gauche pour roulette pivotante à frein. Continuez à installer le pied arrière gauche de la roulette pivotante à frein et la garniture de pied arrière gauche.



2. FIXATION DES PLAQUES DE SUPPORT ET DES ROULETTES PIVOTANTES

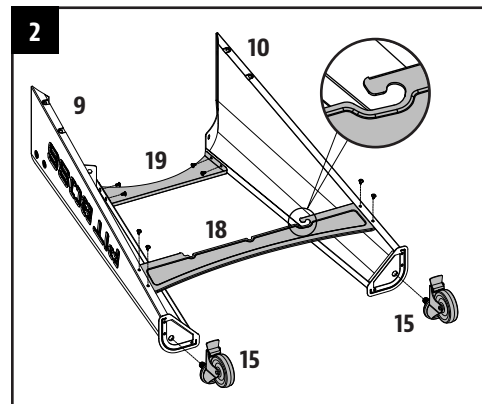
Pièces nécessaires :

- 1 x Pied avant gauche (n° 9)
- 1 x Pied arrière gauche (n° 10)
- 1 x Plaque de maintien inférieure gauche (n° 18)
- 1 x Plaque de maintien courte (n° 19)
- 2 x Roue pivotante avec frein (n° 15)
- 8 x Vis (n° D)

Installation:

- Installez une plaque de support courte sur le côté de l'unité entre les pieds de support avant et arrière à l'aide de quatre vis. Répétez le processus pour monter la plaque de support inférieure sur les mêmes pieds.
- Insérez chaque roulette pivotante à frein au bas de chaque pied de support, en les serrant manuellement dans le trou. Vérifiez que la roulette pivotante à frein est totalement insérée, en vous assurant qu'elle ne peut plus tourner.

REMARQUE : Assurez-vous que la plaque de support inférieure est orientée vers le haut et dans la bonne direction.



3. FIXATION DES PLAQUES DE SUPPORT ET DES ROUES

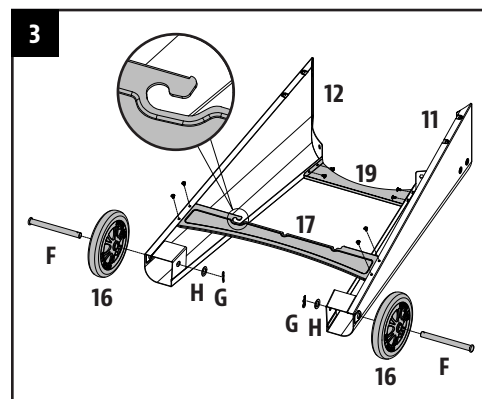
Pièces nécessaires :

- 1 x Pied avant droit (n° 11)
- 1 x Pied arrière droit (n° 12)
- 1 x Plaque de maintien inférieure droite (n° 17)
- 1 x Plaque de maintien courte (n° 19)
- 2 x Roue (n° 16)
- 8 x Vis (n° D)
- 2 x Goupille cannelée pour roue (n° F)
- 2 x Goupille bêta pour roue (n° G)
- 2 x Rondelle pour roue (n° H)

Installation:

- Installez une plaque de support courte sur le côté de l'unité entre les pieds de support avant et arrière à l'aide de quatre vis. Répétez le processus pour monter la plaque de support inférieure sur les mêmes pieds.
- Montez la grande roue au pied de support en insérant la goupille de l'essieu des roues à travers la roue, le pied de support, puis fixez le tout en utilisant la goupille fendue de la roue. Répétez le processus pour l'autre roue du même côté.

REMARQUE : Assurez-vous que la plaque de support inférieure est orientée vers le haut et dans la bonne direction.



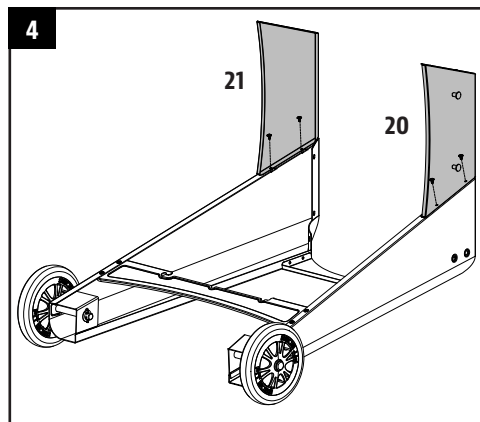
4. FIXATION DE LA PLAQUE DE SUPPORT AUX PIEDS DE SUPPORT DES ROUES

Pièces nécessaires :

- 1 x Plaque de maintien longue avant (n° 20)
- 1 x Plaque de maintien longue arrière (n° 21)
- 4 x Vis (n° D)

Installation:

- Fixer une plaque de support longue sur un pied de support pour roue à l'aide de deux vis. Assurez-vous que le côté plat de la plaque de support est orienté vers l'extérieur. Répétez la même procédure pour monter la plaque de support longue sur l'autre pied de support.



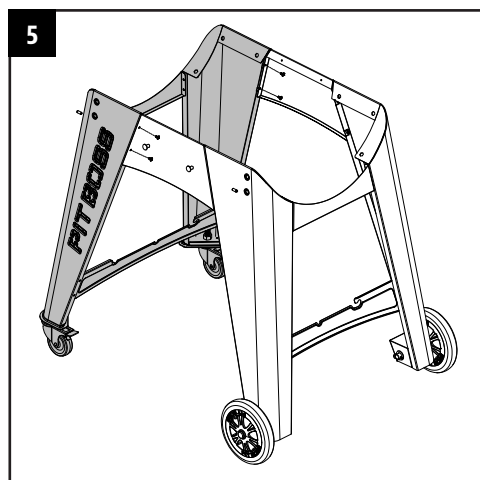
5. FIXATION DE LA PLAQUE DE SUPPORT AUX PIEDS DE SUPPORT POUR ROULETTES

Pièces nécessaires :

- 4 x Vis (n° D)

Installation:

- Ensuite, fixez les plaques de support longues sur les pieds de support de la roulette pivotante. Fixez-les à l'aide de deux vis pour chaque plaque.



6. MONTAGE DU CORPS PRINCIPAL SUR LE CHARIOT

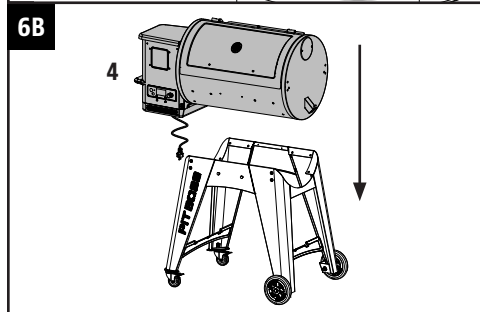
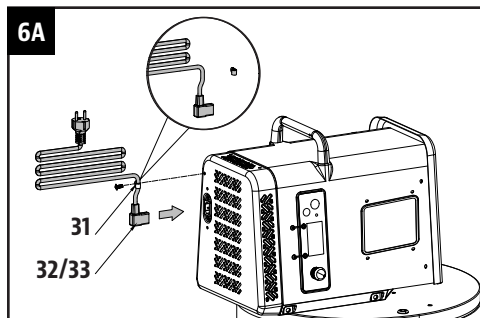
Pièces nécessaires :

- 1 x Assemblage corps principal / trémie (n° 4)
- 12 x Vis (n° A)
- 12 x Rondelle (n° B)
- 12 x Rondelle de blocage (n° C)
- 1 x Cordon d'alimentation (n° 32 ou n° 33)
- 1 x Pincettes de câble (n° 31)

Installation:

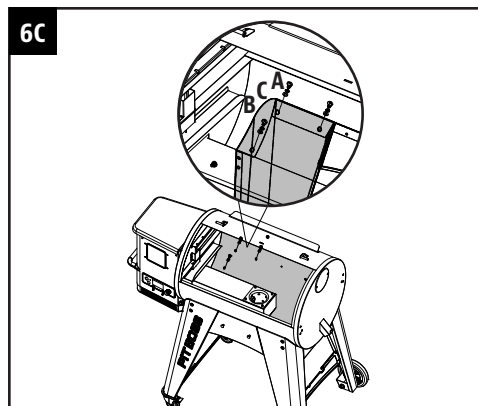
REMARQUE: Deux cordons d'alimentation sont fournis. Sélectionnez le cordon d'alimentation requis pour votre région.

- Placez les pincettes de câble sur le bon cordon d'alimentation. Insérez le cordon d'alimentation dans la rainure au fond de la trémie. Fixez le serre-câble au fond de la trémie à l'aide de la vis précédemment installée. Consultez l'illustration 6A.
- Préparez le corps principal à monter sur le chariot. Placez soigneusement le chariot dans une position verticale, avec les roulettes sur le sol. Placez le chariot à côté du corps principal, les deux étant orientés dans la même direction. Verrouillez les roulettes pivotantes sur le chariot. Avec l'aide d'une deuxième personne, préparez-vous à soulever le corps principal pour le placer sur le chariot. Avec une personne soulevant le corps principal à partir du côté de la trémie et l'autre personne le soulevant à partir du côté opposé, soulevez



le corps principal avec précaution et descendez lentement sur le chariot. Consultez l'illustration 6B.

- Ouvrez ensuite le couvercle du corps principal. Au besoin, tournez le corps principal pour aligner ses trous de vis sur le chariot. Une fois le tout en place, fixez chaque pied au corps principal à l'aide de trois vis, de rondelles de blocage et de rondelles. Consultez l'illustration 6C.



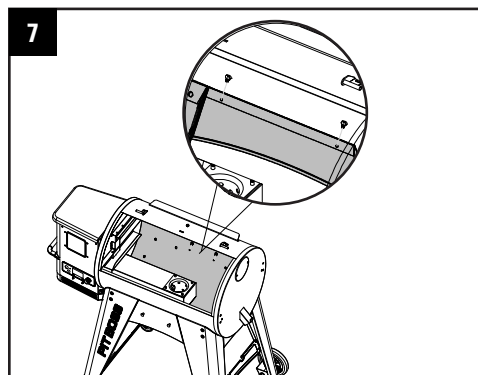
7. FIXATION DES PLAQUES DE SUPPORT AU GRIL

Pièces nécessaires :

4 x Vis (n° E)

Installation:

- Fixez chaque plaque de support longue au corps principal à l'aide de deux vis.



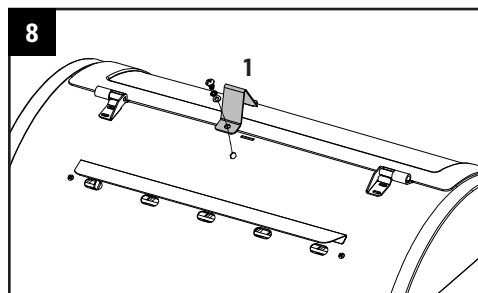
8. INSTALLATION DU BUTOIR POUR COUVERCLE

Pièces nécessaires :

1 x Butoir pour couvercle (n° 1)

Installation:

- Attachez le butoir pour couvercle en haut du corps principal à l'aide des vis préinstallées qui se trouvent sur le dessus du corps principal.



9. INSTALLATION DE LA POIGNÉE DU COUVERCLE

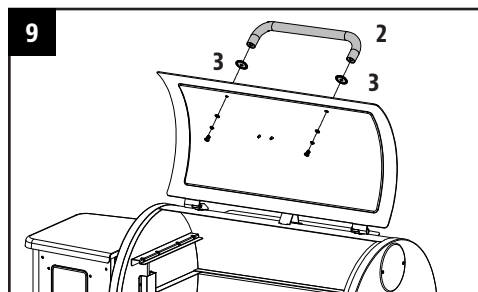
Pièces nécessaires :

1 x Poignée pour couvercle (n° 2)

2 x Bague de la poignée pour couvercle (n° 3)

Installation:

- Retirez les vis préinstallées de la poignée du couvercle. De l'intérieur du couvercle du corps, insérez une vis afin qu'elle dépasse de l'autre côté. Ajoutez une bague à la vis. Ajoutez une bague sur la vis, puis serrez-la à la main (de l'intérieur) dans la poignée du couvercle. Répétez l'opération pour l'autre côté.



10. INSTALLATION DES COMPOSANTS DU DIFFUSEUR DE CHALEUR

Pièces nécessaires :

- 1 x Plaque principale du diffuseur de chaleur (n° 8)
- 1 x Plaque coulissante du diffuseur de chaleur (n° 7)

Installation:

- Insérez la plaque principale du diffuseur de chaleur dans le gril principal. Posez la plaque principale du grilloir à flamme sur le rebord intégré (à l'intérieur à droite) du gril principal qui dirige la graisse vers le seau à graisse. Faites coulisser toute la pièce sur le côté gauche, et les deux fentes sur la plaque principale du grilloir à flamme s'ajusteront dans le rebord arrondi au-dessus du pot de combustion. Il adoptera un angle légèrement incliné vers le bas. Consultez l'illustration 10A.

IMPORTANT : si la plaque principale repose sur la base du corps, c'est qu'elle est mal installée. Une mauvaise installation peut endommager votre appareil.

- Placez la plaque coulissante du diffuseur de chaleur au-dessus de la plaque principale du diffuseur de chaleur, recouvrant les fentes. Assurez-vous que la languette surélevée se trouve à gauche, et que les deux broches au bas de la plaque coulissante du diffuseur de chaleur se placent dans les trous de la plaque principale du diffuseur de chaleur, pour s'adapter facilement à la flamme directe et indirecte lors de la cuisson. Les deux plaques du diffuseur de chaleur sont légèrement recouvertes d'huile pour éviter l'apparition de rouille lors de l'envoi. Consultez l'illustration 10B.

REMARQUE : pour conserver les performances de cuisson et de grillage de vos grilles de cuisson, une maintenance et un entretien réguliers sont nécessaires. Reportez-vous au manuel d'utilisation.

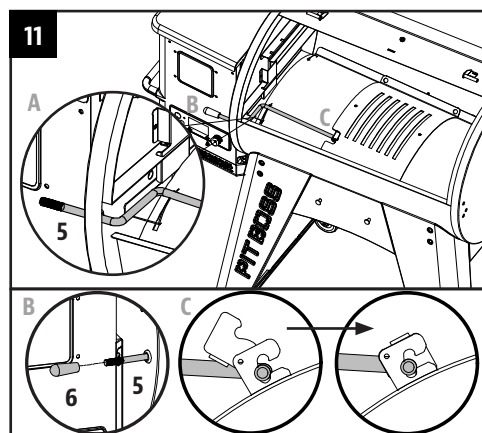
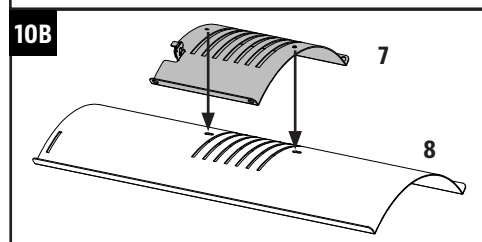
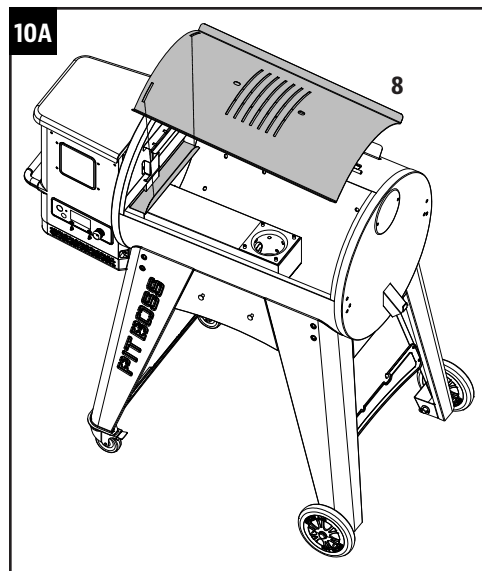
11. INSTALLATION DE LA BARRE DE RÉGLAGE DU GRILLOIR À FLAMME

Pièces nécessaires :

- 1 x Barre de réglage du grilloir à flamme (n° 5)
- 1 x Poignée de la barre de réglage du grilloir à flamme (n° 6)

Installation:

- Insérez la barre de réglage du grilloir à flamme dans le trou situé sur le côté gauche du corps principal. Ajoutez la poignée de réglage du grilloir à flamme à l'extrémité à l'extérieur du baril. Glissez ensuite l'extrémité crantée de la barre de réglage dans la languette de verrouillage de la glissière du grilloir à flamme, ce qui vous donne un accès facile à la glissière du grilloir à flamme de la plaque principale.



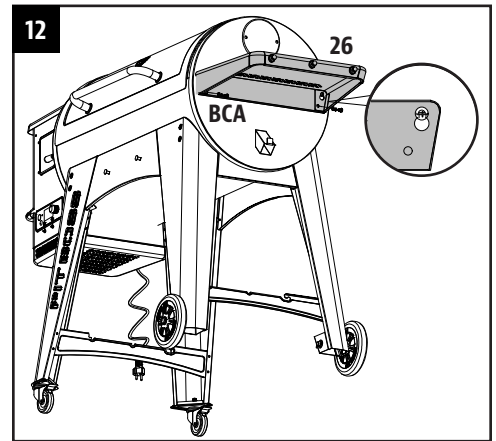
12. INSTALLATION DE L'ÉTAGÈRE LATÉRALE

Pièces nécessaires :

- 1 x Plateau latéral droit (n° 26)
- 2 x Vis (n° A)
- 2 x Rondelle (n° B)
- 2 x Rondelle de blocage (n° C)

Installation:

- Desserrez les deux vis préinstallées sur le côté du corps principal. Montez d'abord l'étagère latérale sur les vis, puis fixez les deux vis dévissées en place.
- En passant par le dessous, fixez l'étagère latérale au panneau latéral du corps principal à l'aide de deux vis, de rondelles de blocage et de rondelles.



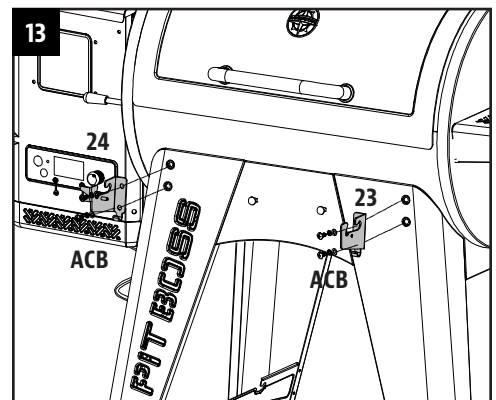
13. FIXATION DES SUPPORTS DE L'ÉTAGÈRE AVANT

Pièces nécessaires :

- 1 x Support pour étagère avant droit (n° 23)
- 1 x Support pour étagère avant gauche (n° 24)
- 4 x Vis (n° A)
- 4 x Rondelle (n° B)
- 4 x Rondelle de blocage (n° C)

Installation:

- Fixez chaque support de support d'étagère avant sur le pied de support avant gauche à l'aide de deux vis, rondelles et rondelles de blocage.



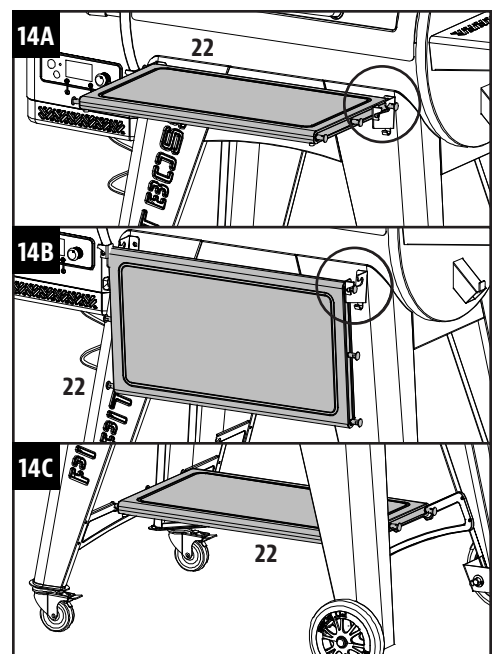
14. INSTALLATION DE L'ÉTAGÈRE AVANT

Pièces nécessaires :

- 1 x Étagère avant (n° 22)

Installation:

- Placez l'étagère avant sur les supports d'étagère avant. Reportez-vous à l'illustration 14A montrant une étagère avant dépliée.
- Reportez-vous à l'illustration 14B montrant une étagère avant pliée.
- L'étagère avant peut également être placée sur les plaques de support inférieures et être utilisée comme plateau inférieur. Consultez l'illustration 14C.



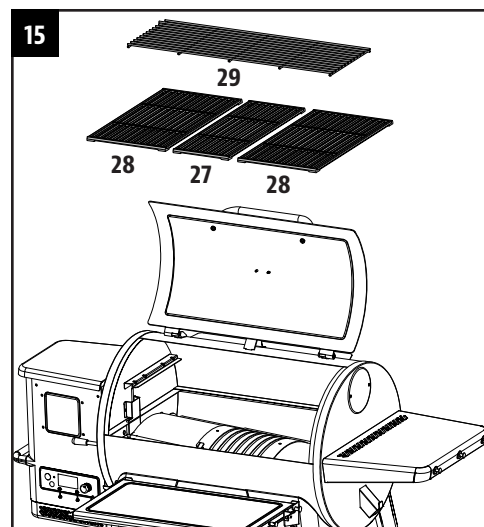
15. INSTALLATION DES COMPOSANTS DE CUISSON DU GRIL

Pièces nécessaires :

- 1 x Grille de cuisson A (n° 27)
- 2 x Grille de cuisson B (n° 28)
- 1 x Support chauffant (n° 29)

Installation:

- Placez les grilles de cuisson côte à côte, sur le rebord de grille à l'intérieur du gril principal.
- Placez la grille de cuisson supérieure sur le rebord supérieur à l'intérieur du gril principal. Le support chauffant se verrouille en place.



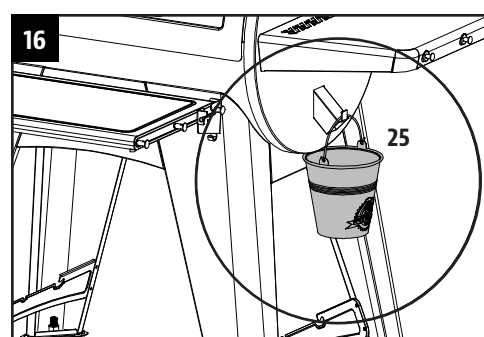
16. INSTALLATION DU SEAU À GRAISSE

Pièces nécessaires :

- 1 x Seau à graisse (n° 25)

Installation:

- Place the Grease Bucket on the spout hook on the end of the Main Barrel. Ensure it is level to avoid grease spills.
- L'appareil est désormais entièrement assemblé.



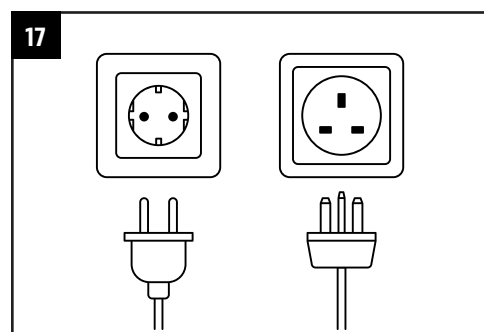
17. CONNEXION À UNE SOURCE D'ALIMENTATION

REMARQUE : avant de brancher votre Pit Boss® à une prise électrique, veillez à ce que la molette de contrôle de température soit sur la position OFF.

• PRISE STANDARD

Cet appareil fonctionne à 220-240 V, 50 Hz, 250 W. Il doit s'agir d'une prise de terre.

IMPORTANT : déconnectez l'appareil de la source l'alimentation lorsque vous ne l'utilisez pas.



IMPORTANT : consultez le manuel de l'utilisateur pour les instructions d'utilisation.



AVISO DE COPYRIGHT

Copyright 2021. Todos los derechos reservados. Ninguna parte de este manual podrá copiarse, transmitirse, transcribirse, almacenarse en un sistema de recuperación, de ninguna forma ni por cualquier medio sin la autorización expresa por escrito de:

Dansons

3411 North 5th Avenue, Suite 500, Phoenix, AZ, USA 85013
sales@pitboss-grills.com | service@pitboss-grills.com

www.pitboss-grills.com

Atención al cliente

De lunes a domingo, de 4:00 a 20:00, PST (EN/FR/ES)

Llamada gratuita: 1-877-303-3134, Fax: 1-877-303-3135

ÍNDICE

Piezas y especificaciones	22
Preparación del montaje	24
Instrucciones de montaje	
Sujeción de los pies a las patas de soporte.....	24
Sujeción de las placas de soporte y las ruedas pivotantes	25
Sujeción de las placas de soporte y las ruedas.....	25
Sujeción de la placa de soporte a las patas de soporte para ruedas.....	26
Sujeción de la placa de soporte a las patas de soporte para ruedas pivotantes	26
Montaje del tambor principal al carro	26
Sujeción de las placas de soporte a la parrilla	27
Instalación del tapón de la tapa	27
Instalación del asa de la tapa	27
Instalación de los componentes de la parrilla	27
Instalación del regulador de la parrilla	28
Instalación del estante lateral.....	28
Sujeción de los soportes de los estantes delanteros	29
Instalación del estante delantero.....	29
Instalación de los componentes de cocina a la parrilla	29
Instalación del recogegrasa	30
Conexión a una fuente de alimentación	30

ES

ESPAÑOL

PIEZAS Y ESPECIFICACIONES

N.º	Descripción
1	Tapón de la tapa (x1)
2	Asa de la tapa (x1)
3	Bisel de asa de la tapa (x2)
4	Conjunto de tambor principal/tolva (x1)
5	Regulador de la parrilla (x1)
6	Asa del regulador de la parrilla (x1)
7	Guía de la parrilla (x1)
8	Placa principal de la parrilla (x1)
9	Pata delantera izquierda (x1)
10	Pata trasera izquierda (x1)
11	Pata delantera derecha (x1)
12	Pata trasera derecha (x1)
13	Remate de la pata delantera izquierda (x1)
14	Remate de la pata trasera izquierda (x1)
15	Ruedas pivotantes con freno (x2)
16	Rueda (x2)
17	Placa de soporte inferior derecha (x1)
18	Placa de soporte inferior izquierda (x1)
19	Placa de soporte corta (x2)
20	Placa de soporte delantera larga (x1)
21	Placa de soporte trasera larga (x1)
22	Estante delantero (x1)
23	Soporte del estante delantero derecho (x1)
24	Soporte del estante delantero izquierdo (x1)
25	Recogegrasa (x1)
26	Mesa lateral derecha (x1)
27	Rejilla para cocinar A (x1)
28	Rejilla para cocinar B (x2)
29	Bandeja para calentar (x1)
30	Termómetro de carne (x1)

N.º	Descripción
31	Clip para cable de alimentación (x1)
32	Cable de alimentación: enchufe F (x1)
33	Cable de alimentación: enchufe G (x1)
A	Tornillos (x18)
B	Arandelas (x18)
C	Arandelas de retención (x18)
D	Tornillos (x30)
E	Tornillos (x4)
F	Clavija de eje de rueda (x2)
G	Clavija de la rueda (x2)
H	Arandelas de rueda (x2)

NOTA: debido a que el producto está en desarrollo constante, las piezas están sujetas a cambios sin previo aviso. Póngase en contacto con el equipo de Atención al Cliente si durante el montaje de la unidad observa que falta alguna pieza.

PB – REQUISITOS ELÉCTRICOS
ENCHUFE CON CONEXIÓN A TIERRA DE 220-240 V, 50 Hz, 250 W

Ilustración en la página siguiente.

MODELO	UNIDAD MONTADA (AxAxP)	PESO DE LA UNIDAD	ÁREA DE COCINA	RANGO DE TEMP.	CARACTERÍSTICAS DIGITALES
PB PB850G	1472mm x 1195mm x 940mm / 57,9 pu x 47 pu x 37 pu	74,5 kg / 164,24 lb	Principal - 3825,8 cm ² / 593 pu. cu. Bandeja superior- 1845,2 cm ² / 286 pu. cu. TOTAL - 5671 cm² / 879 pu. cu.	82-260°C / 180-500°F	Diez preajustes de temperatura, ciclos de arranque y enfriamiento, sistema de ignición eléctrica

PREPARACIÓN DEL MONTAJE

Las piezas están incluidas en el embalaje de envío, incluso debajo de la parrilla. Inspeccione las piezas, de la parrilla, y en el blíster del equipo una vez retirado el embalaje de envío protector. Tire todos los materiales de embalaje dentro y fuera de la barbacoa antes de proceder al montaje, y revise e inspeccione todas las piezas cotejándolas con la lista de piezas. Si alguna pieza falta o está dañada, no intente realizar el montaje. Los daños causados por el envío no están cubiertos por la garantía. Póngase en contacto con su distribuidor o con la Atención al cliente de Pit Boss para piezas: lunes a viernes de 4 a 20 h. PST (EN/FR/ES).

service@pitboss-grills.com | Llamada gratuita: 1-877-303-3134 | Fax gratuito: 1-877-303-3135

IMPORTANTE: para facilitar la instalación, el uso de dos personas es útil (pero no necesario) a la hora de montar esta unidad.

Herramientas necesarias para el montaje: destornillador y nivel. *No se incluyen herramientas.*



INSTRUCCIONES DE MONTAJE

IMPORTANTE: se aconseja leer cada paso en su totalidad antes de comenzar el montaje según las instrucciones. **No apriete los tornillos por completo hasta que no se hayan instalado todos los tornillos de ese paso.** La combinación de cerrajería compuesta por una arandela de retención y una arandela debe instalarse con la arandela de retención más cerca del tornillo.

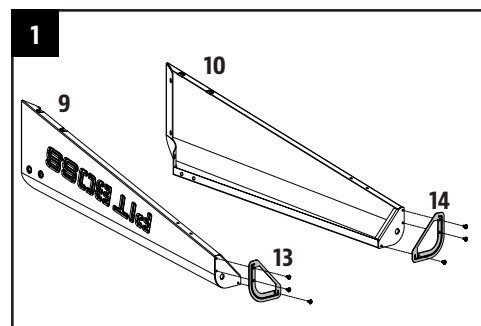
1. SUJECCIÓN DE LOS PIES A LAS PATAS DE SOPORTE

Piezas necesarias:

- 1 x Pata delantera izquierda (#9)
- 1 x Pata trasera izquierda (#10)
- 1 x Remate de la pata delantera izquierda (#13)
- 1 x Remate de la pata trasera izquierda (#14)
- 6 x Tornillos (#D)

Instalación:

- Use tres tornillos para sujetar el remate de la pata delantera izquierda a la pata delantera izquierda para la rueda pivotante de cierre. A continuación, instale la pata trasera izquierda de la rueda pivotante de cierre y el remate de la pata trasera izquierda.



2. SUJECIÓN DE LAS PLACAS DE SOPORTE Y LAS RUEDAS PIVOTANTES

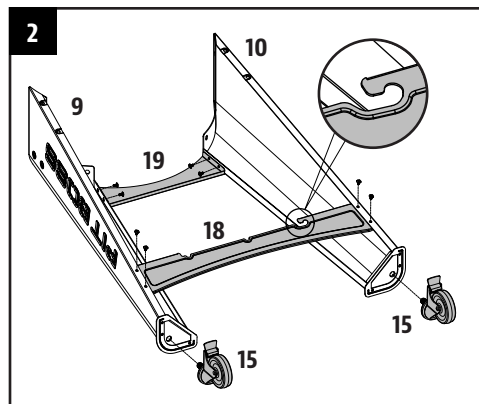
Piezas necesarias:

- 1 x Pata delantera izquierda (#9)
- 1 x Pata trasera izquierda (#10)
- 1 x Placa de soporte inferior izquierda (#18)
- 1 x Placa de soporte corta (#19)
- 2 x Ruedas pivotantes con freno (#15)
- 8 x Tornillos (#D)

Instalación:

- Instale una placa de soporte corta al lado de la unidad, entre las patas de soporte delanteras y traseras, usando cuatro tornillos. Repita la misma instalación para montar la placa de soporte inferior a las mismas patas.
- Inserte cada rueda pivotante de cierre en la parte inferior de cada pata de soporte, ajustándola a mano en el orificio. Asegúrese de que la rueda pivotante de cierre haya quedado totalmente insertada, de forma que no pueda girar más.

NOTA: Asegúrese de que la placa de soporte inferior quede orientada hacia arriba en la dirección correcta.



3. SUJECIÓN DE LAS PLACAS DE SOPORTE Y LAS RUEDAS

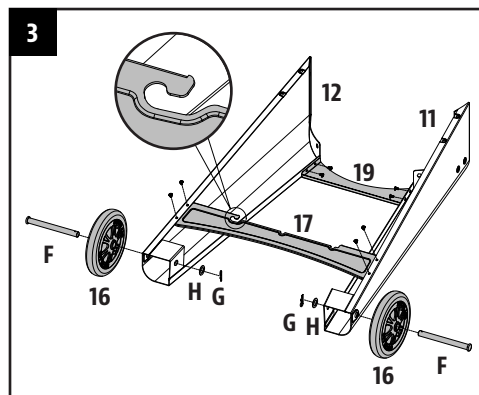
Piezas necesarias:

- 1 x Pata delantera derecha (#11)
- 1 x Pata trasera derecha (#12)
- 1 x Placa de soporte inferior derecha (#17)
- 1 x Placa de soporte corta (#19)
- 2 x Rueda (#16)
- 8 x Tornillos (#D)
- 2 x Clavija de eje de rueda (#F)
- 2 x Clavija de la rueda (#G)
- 2 x Arandelas de rueda (#H)

Instalación:

- Instale una placa de soporte corta al lado de la unidad, entre las patas de soporte delanteras y traseras, usando cuatro tornillos. Repita la misma instalación para montar la placa de soporte inferior a las mismas patas.
- Monte la rueda grande a la pata de soporte insertando la clavija de eje de la rueda a través de la rueda y el orificio de la pata, y luego sujétela con la clavija de la rueda. Repita la instalación para la otra rueda del mismo lado.

NOTA: Asegúrese de que la placa de soporte inferior quede orientada hacia arriba en la dirección correcta



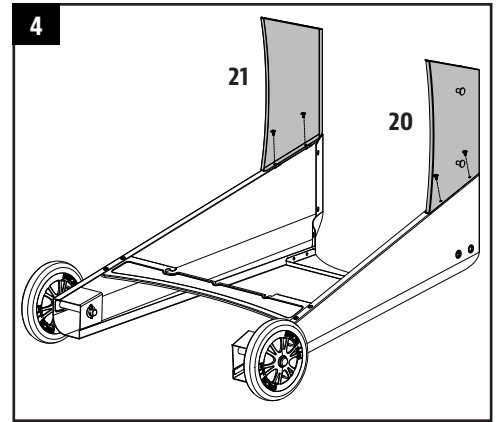
4. SUJECIÓN DE LA PLACA DE SOPORTE A LAS PATAS DE SOPORTE PARA RUEDAS

Piezas necesarias:

- 1 x Placa de soporte delantera larga (#20)
- 1 x Placa de soporte trasera larga (#21)
- 4 x Tornillos (#D)

Instalación:

- Fije una placa de soporte larga a una pata de soporte para ruedas usando dos tornillos. Asegúrese de que el lado plano de la placa de soporte quede orientado hacia fuera. Repita la misma instalación para montar la otra placa de soporte larga en la otra pata de soporte.



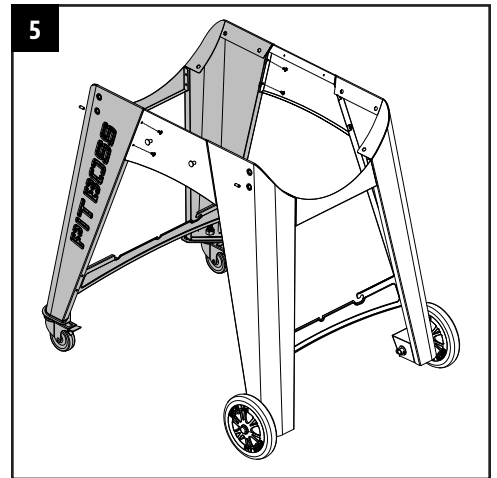
5. SUJECIÓN DE LA PLACA DE SOPORTE A LAS PATAS DE SOPORTE PARA RUEDAS PIVOTANTES

Piezas necesarias:

- 4 x Tornillos (#D)

Instalación:

- A continuación, fije las placas de soporte largas a las patas de soporte de la rueda pivotante. Sujételas usando dos tornillos en cada placa.



6. MONTAJE DEL TAMBOR PRINCIPAL AL CARRO

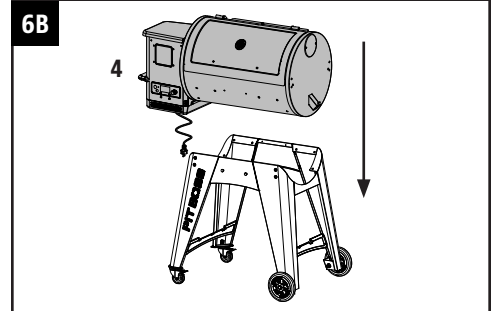
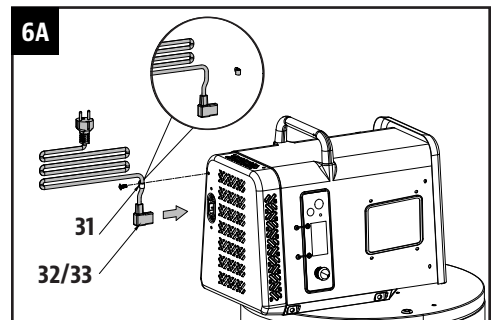
Piezas necesarias:

- 1 x Conjunto de tambor principal/tolva (#4)
- 12 x Tornillos (#A)
- 12 x Arandelas (#B)
- 12 x Arandelas de retención (#C)
- 1 x Cable de alimentación (#32 o #33)
- 1 x Sujetacables (#31)

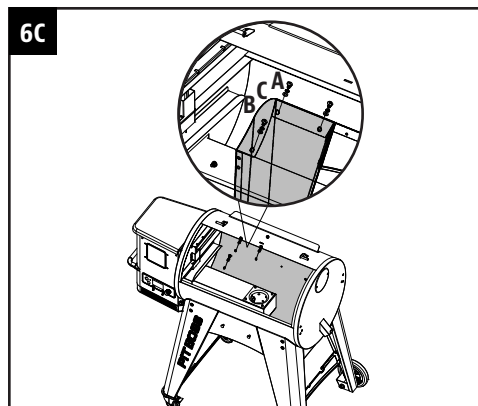
Instalación:

NOTA: Se suministran dos cables de alimentación. Seleccione el cable de alimentación que se requiere para su región.

- Coloque el sujetacables en el cable de alimentación correcto. Inserte el cable de alimentación en la ranura de la parte inferior de la tolva. Fije el sujetacables a la parte inferior de la tolva con el tornillo instalado anteriormente. Consulte la ilustración 6A.
- Prepare el tambor principal para montarlo en el carro. Con cuidado, ponga el carro de pie con las ruedas en la parte inferior. Coloque el carro junto al tambor principal y asegúrese de que ambas piezas queden orientadas en la misma dirección. Bloquee las ruedas pivotantes del carro. Con la ayuda de otra persona, prepárese para levantar el tambor principal sobre el carro. Para ello, una persona debe levantar el tambor por el lado de la tolva y la otra por el extremo opuesto; levante el tambor principal con cuidado y bájelo lentamente sobre el carro. Consulte la ilustración 6B.



- A continuación, abra la tapa del tambor principal. Ajuste la rotación según sea necesario para alinear los orificios de los tornillos del tambor principal con los del carro. Después de colocar el tambor, sujete cada una de sus patas usando tres tornillos, arandelas y arandelas de retención. Consulte la ilustración 6C.



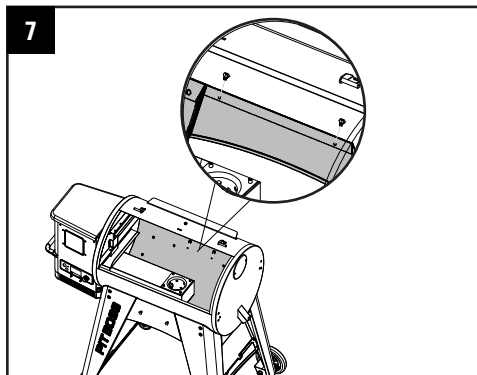
7. SUJECIÓN DE LAS PLACAS DE SOPORTE A LA PARRILLA

Piezas necesarias:

4 x Tornillos (#E)

Instalación:

- Fije con dos tornillos cada placa de soporte larga al tambor principal.



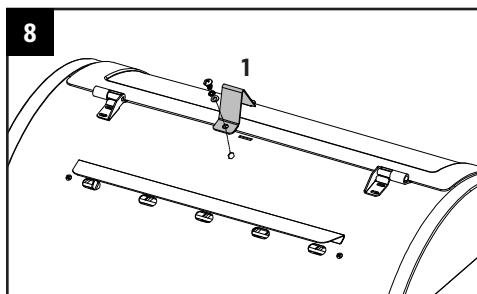
8. INSTALACIÓN DEL TAPÓN DE LA TAPA

Piezas necesarias:

1 x Tapón de la tapa (#1)

Instalación:

- Fije el tapón de la tapa sobre el tambor principal usando el tornillo preinstalado en la parte superior del tambor principal.



9. INSTALACIÓN DEL ASA DE LA TAPA

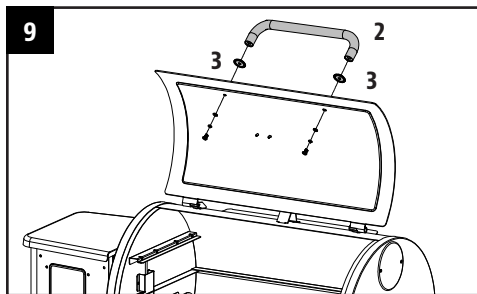
Piezas necesarias:

1 x Asa de la tapa (#2)

2 x Bisel de asa de la tapa (#3)

Instalación:

- Saque los tornillos preinstalados del asa de la tapa. Desde dentro de la tapa del tambor, coloque un tornillo hasta que sobresalga hacia el exterior. Añada un bisel al tornillo. A continuación, apriete el tornillo a mano (desde dentro) en el asa de la tapa. Repita estos pasos en el otro lado.



10. INSTALACIÓN DE LOS COMPONENTES DE LA PARRILLA

Piezas necesarias:

- 1 x Placa principal de la parrilla (#8)
- 1 x Guía de la parrilla (#7)

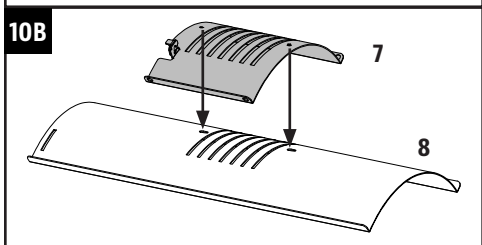
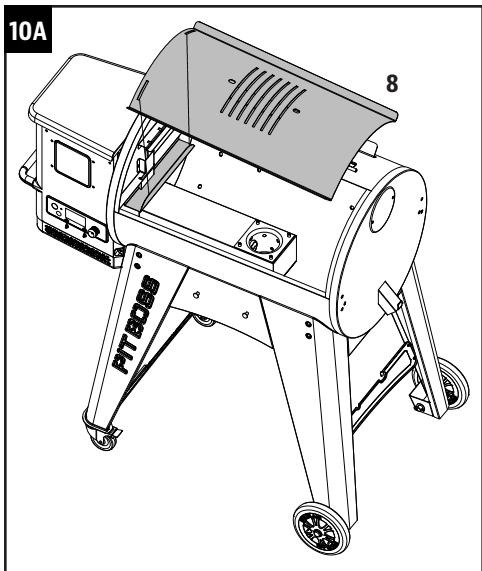
Instalación:

- Inserte la placa principal de la parrilla en la parrilla principal. Apoye la placa principal de la parrilla en el saliente integrado (lado derecho interior) de la parrilla principal que dirige la grasa hacia la boquilla del recoge-grasa. Deslice toda la pieza hacia la izquierda y las dos ranuras de la placa principal de la parrilla encajarán en el saliente redondeado encima del foso del quemador. Se inclinará ligeramente hacia abajo. Consulte la ilustración 10A.

IMPORTANTE: Si la placa principal está apoyada en la base del tambor, se instaló de forma incorrecta. Una instalación incorrecta puede provocar daños en el tambor principal de la parrilla.

- Coloque la guía de la parrilla sobre la placa principal de la parrilla, cubriendo las aperturas ranuradas. Asegúrese de que la pestaña levantada esté a la izquierda y que las dos clavijas de la parte inferior de la guía de la parrilla encajen en los orificios de la placa principal de la parrilla para ajustarla fácilmente a las llamas directas e indirectas durante el asado. NOTA: Las piezas de la parrilla tienen una fina capa de aceite para evitar la corrosión durante el envío. Consulte la ilustración 10B.

NOTA: Para mantener óptima la capacidad de dorar y asar de las rejillas para cocinar, se requiere de un cuidado y mantenimiento frecuentes. Consulte el Manual del Propietario.



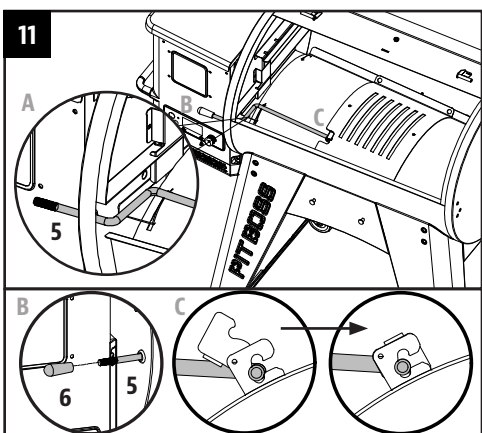
11. INSTALACIÓN DEL REGULADOR DE LA PARRILLA

Piezas necesarias:

- 1 x Regulador de la parrilla (#5)
- 1 x Asa del regulador de la parrilla (#6)

Instalación:

- Inserte el regulador de la parrilla a través del orificio de apertura del lado izquierdo del tambor principal. Añada el asa del regulador de la parrilla en el extremo que queda fuera del tambor. A continuación, deslice el extremo del regulador que tiene una muesca en la pestaña de bloqueo de la guía de la parrilla; esto le permite acceder a la guía de la parrilla de la placa principal para ajustarla.



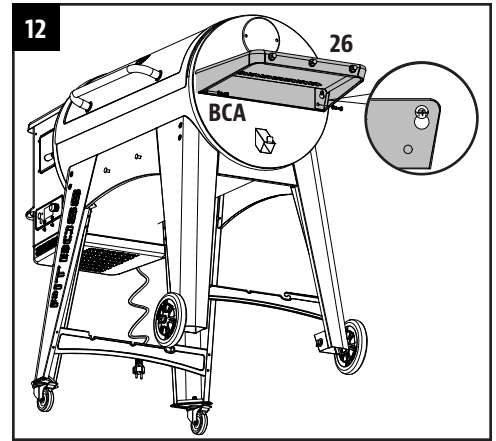
12. INSTALACIÓN DEL ESTANTE LATERAL

Piezas necesarias:

- 1 x Mesa lateral derecha (#26)
- 2 x Tornillos (#A)
- 2 x Arandelas (#B)
- 2 x Arandelas de retención (#C)

Instalación:

- Afloje los dos tornillos preinstalados del lado del tambor principal. Primero, enganche el estante lateral sobre los tornillos en primer lugar, y luego apriete los dos tornillos previamente aflojados en su lugar.
- Desde la parte inferior, sujete el estante lateral al panel lateral del tambor principal usando dos tornillos, arandelas de retención y arandelas.



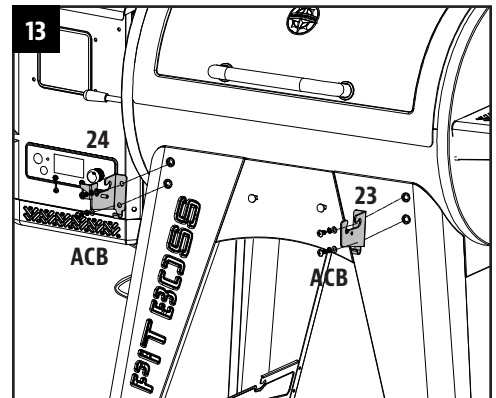
13. SUJECIÓN DE LOS SOPORTES DE LOS ESTANTES DELANTEROS

Piezas necesarias:

- 1 x Soporte del estante delantero derecho (#23)
- 1 x Soporte del estante delantero izquierdo (#24)
- 4 x Tornillos (#A)
- 4 x Arandelas (#B)
- 4 x Arandelas de retención (#C)

Instalación:

- Fije cada soporte del estante delantero a la pata de soporte delantera usando dos tornillos, arandelas y arandelas de retención.



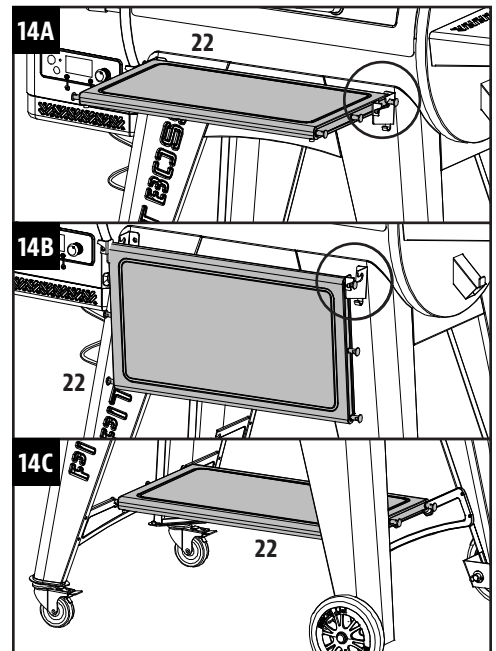
14. INSTALACIÓN DEL ESTANTE DELANTERO

Piezas necesarias:

- 1 x Estante delantero (#22)

Instalación:

- Coloque el estante delantero en los soportes para el estante delantero. Consulte el estante delantero desplegado en la ilustración 14A a modo de referencia.
- Consulte el estante delantero plegado en la ilustración 14B a modo de referencia.
- También es posible colocar el estante delantero en las placas de soporte inferiores y utilizarlo como placa inferior. Consulte la ilustración 14C.



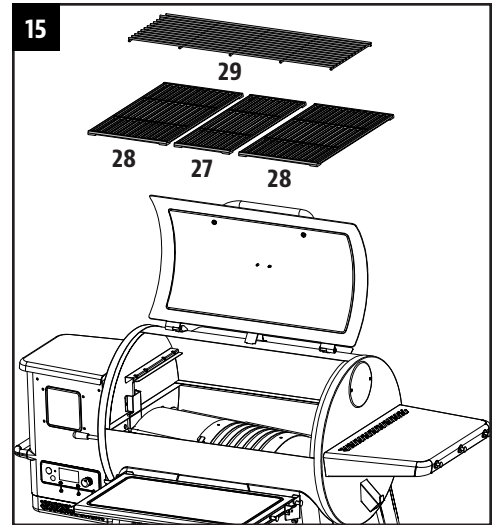
15. INSTALACIÓN DE LOS COMPONENTES DE COCINA A LA PARRILLA

Piezas necesarias:

- 1 x Rejilla para cocinar A (#27)
- 2 x Rejilla para cocinar B (#28)
- 1 x Bandeja para calentar (#29)

Instalación:

- Coloque las rejillas para cocinar, una al lado de la otra, sobre el saliente de la rejilla dentro de la parrilla principal.
- Coloque la rejilla para cocinar superior sobre el saliente superior de dentro de la parrilla principal. La bandeja para calentar quedará bloqueada en su lugar.



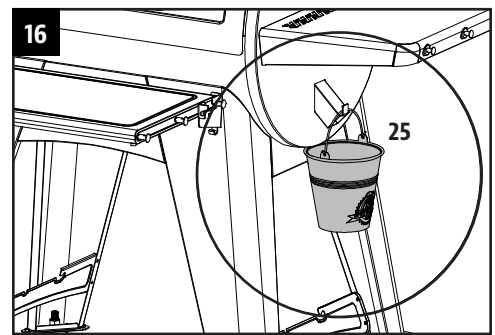
16. INSTALACIÓN DEL RECOGEGRASA

Piezas necesarias:

- 1 x Recogegrasa (#25)

Instalación:

- Coloque el recogegrasa en el caño del extremo del tambor principal. Asegúrese de que esté nivelado para evitar el derramamiento de grasa.
- La unidad está montada por completo.

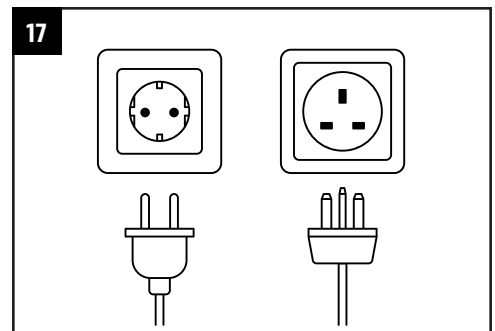


17. CONEXIÓN A UNA FUENTE DE ALIMENTACIÓN

NOTA: Antes de enchufar la parrilla Pit Boss® en cualquier toma eléctrica, asegúrese de que el dial de control de la temperatura esté en la posición OFF (Apagado).

- *TOMA ESTÁNDAR*
Este aparato requiere un suministro de 220 - 240 V, 50 Hz, 250 W. El enchufe debe ser con conexión a tierra.

IMPORTANTE: Desconecte la unidad de la fuente de alimentación cuando no esté en uso.



IMPORTANTE: Consulte las instrucciones de uso en el Manual del Propietario



HINWEISE ZUM COPYRIGHT

Copyright 2021. Alle Rechte vorbehalten. Kein Teil dieses Handbuchs darf ohne ausdrückliche schriftliche Genehmigung von Danson kopiert, übertragen, transkribiert, in einem Abrufsystem gespeichert oder in irgendeiner Form

Dansons

3411 North 5th Avenue, Suite 500, Phoenix, AZ, USA 85013
sales@pitboss-grills.com | service@pitboss-grills.com
www.pitboss-grills.com

Kundendienst

Von Montag bis Sonntag von 04.00 bis 20.00 Uhr PST (EN/FR/ES)
Gebührenfreie Hotline: +1-877-303-3134, Fax: +1-877-303-3135

INHALTSVERZEICHNIS

Teile und Spezifikationen	32
Montagevorbereitung	34
Montageanleitung	
Anbringung der Füße, um die Beine zu stabilisieren	34
Anbringung der Stützplatten und Feststellrollen.....	35
Anbringung der Stützplatten und Räder	35
Anbringung der Stützplatten für die Räderbeine	36
Anbringung der Stützplatten für die Beine mit Feststellrollen	36
Montage des Barrels auf den Wagen	36
Anbringung der Stützplatten am Grill.....	37
Montage des Deckelstoppers.....	37
Montage des Deckelhalters	37
Montage der einzelnen Bratrostteile	38
Montage der Einstellstange für den Bratrost	38
Montage der seitlichen Ablage.....	39
Sicherung der vorderen Ablagehalterungen.....	39
Montage der vorderen Ablage.....	39
Montage der einzelnen Teile des Grillkochers.....	40
Montage des Fetteimers	40
Anschluss an die Stromversorgung.....	40

DE

DEUTSCHE

TEILE UND SPEZIFIKATIONEN

Teile- nummer	Beschreibung
1	Deckelstopper (x1)
2	Deckelgriff (x1)
3	Blende Deckelgriff (x2)
4	Barrel (großes Stahlrohr)/Montage des Schornsteins (x1)
5	Einstellstange für den Bratrost (x1)
6	Einstellstangenhalter für den Bratrost (x1)
7	Schieberegler für den Bratrost (x1)
8	Große Platte für den Bratrost (x1)
9	Linkes Vorderbein (x1)
10	Linkes Hinterbein (x1)
11	Rechtes Vorderbein (x1)
12	Rechtes Hinterbein (x1)
13	Linkes vorderes Beinverkleidungsstück (x1)
14	Linkes hinteres Beinverkleidungsstück (x1)
15	Lenkrolle mit Bremse (x2)
16	Rad (x2)
17	Rechte untere Stützplatte (x1)
18	Linkere untere Stützplatte (x1)
19	Kurze Stützplatte (x2)
20	Vordere lange Stützplatte (x1)
21	Hintere lange Stützplatte (x1)
22	Vordere Ablage (x1)
23	Halterung der vorderen Ablage rechts (x1)
24	Halterung der vorderen Ablage links (x1)
25	Fetteimer (x1)
26	Tisch rechts (x1)
27	Grillrost A (x1)
28	Grillrost B (x2)

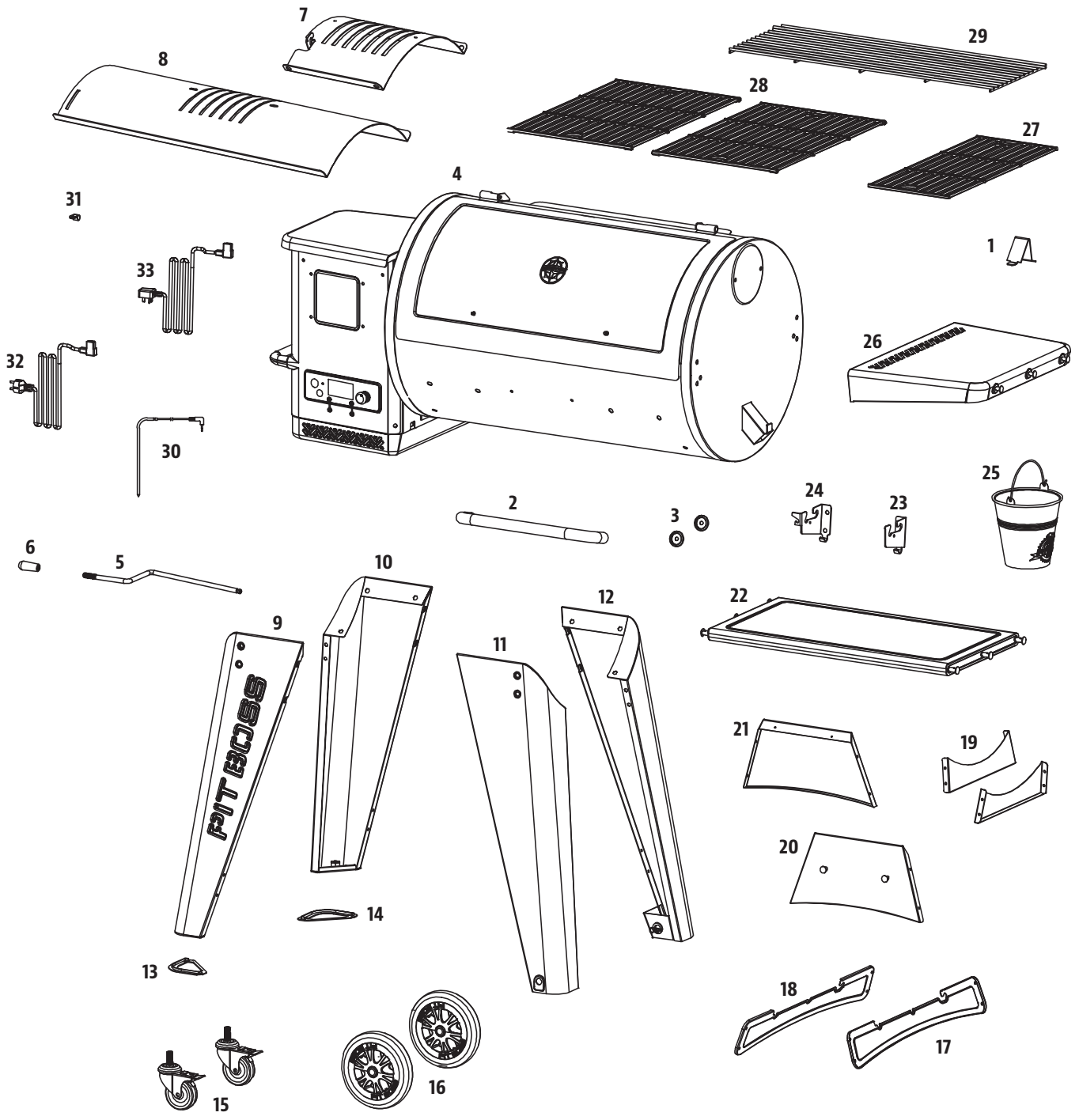
Teile- nummer	Beschreibung
29	Warmhalterost (x1)
30	Fleischthermometer (x1)
31	Netzkabelclip (x1)
32	Netzkabel – F-Stecker (x1)
33	Netzkabel – G-Stecker (x1)
A	Schraube (x18)
B	Unterlegscheibe (x18)
C	Sicherungsscheibe (x18)
D	Schraube (x30)
E	Schraube (x4)
F	Radachsenbolzen (x2)
G	Radsteckerstift (x2)
H	Radunterlegscheibe (x2)

HINWEIS: Aufgrund der kontinuierlichen Produktweiterentwicklung können Teile ohne Ankündigung geändert werden. Wenden Sie sich an den Kundenservice, falls bei der Montage des Geräts Teile fehlen sollten.

PB – ELEKTRISCHE ANFORDERUNGEN
220-240 V, 50 Hz, 250 W, GEERDETES NETZKABEL

Diagrammdarstellung auf der nächsten Seite.

MODELL	ZUSAMMENGEBAUTE EINHEIT (BxHxT)	GEWICHT DER EINHEIT	GARFLÄCHE	TEMPERA- TURBEREICH	DIGITALE FUNKTIONALITÄTEN
PB PB850G	1472mm x 1195mm x 940mm / 57,9" x 47" x 37"	74,5 kg / 164,24 lb	Haupt - 3825,8 cm ² / 593 sq. in. Oberes Gitter - 1845,2 cm ² / 286 sq. in. GESAMT - 5671 cm² / 879 sq. in.	82-260°C / 180-500°F	Zehn Temperaturstufen, Startzyklus, elektrischer Anzünder



MONTAGEVORBEREITUNG

Die Teile sind im gesamten Versandkarton verteilt, auch unter dem Grill. Überprüfen Sie den Grill, die Teile und die Blisterverpackung um die Metallteile, nachdem Sie diese aus dem schützenden Versandkarton genommen haben. Entfernen Sie vor der Montage alle Verpackungsmaterialien von der Innenseite und Außenseite des Grills, überprüfen Sie dann alle Teile und inspizieren Sie diese anhand der Stückliste. Falls Teile fehlen oder beschädigt sind, versuchen Sie nicht, den Grill zusammenzubauen. Transportschäden werden nicht von der Garantie abgedeckt. Ersatzteile erhalten Sie bei Ihrem Händler oder dem Pit Boss® Kundendienst: Von Montag bis Sonntag von 04.00 bis 20.00 Uhr PST (EN/FR/ES)

service@pitboss-grills.com | gebührenfreie Hotline: +1-877-303-3134 | gebührenfreies Fax: +1-877-303-3135

WICHTIG: Um die Montage zu vereinfachen, ist es hilfreich (aber nicht notwendig), das Gerät mit zwei Personen zusammenzubauen.

Für die Montage erforderliche Werkzeuge: Schraubenzieher und Wasserwaage. *Werkzeuge sind nicht enthalten.*



MONTAGEANLEITUNG

WICHTIG: Wir empfehlen, jeden Schritt sorgfältig durchzulesen, bevor Sie mit der Montage beginnen. Achten Sie darauf, die Schrauben nicht zu fest zu ziehen, bevor alle Schrauben, die für diesen Schritt erforderlich sind, montiert wurden. Die Verbindung aus Sicherungsscheibe und Unterlegscheibe sollte so installiert werden, dass die Sicherungsscheibe dem Schraubenkopf am nächsten ist.

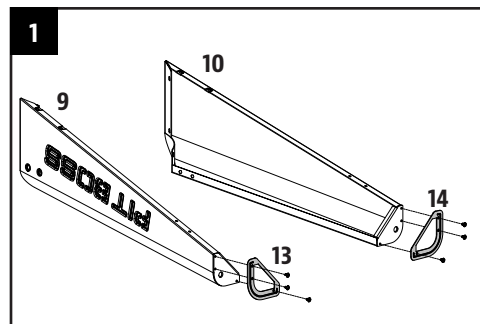
1. ANBRINGUNG DER FÜSSE, UM DIE BEINE ZU STABILISIEREN

Erforderliche Teile:

- 1 x Linkes Vorderbein (#9)
- 1 x Linkes Hinterbein (#10)
- 1 x Linkes vorderes Beinverkleidungsstück (#13)
- 1 x Linkes hinteres Beinverkleidungsstück (#14)
- 6 x Schraube (#D)

Montage:

- Verwenden Sie drei Schrauben, um das linke vordere Beinverkleidungsstück an das linke vordere Bein anzubringen und so die Feststellrolle zu arretieren. Montieren Sie danach das linke hintere Bein mit Feststellrolle und das linke hintere Beinverkleidungsstück.



2. ANBRINGUNG DER STÜTZPLATTEN UND FESTSTELLROLLEN

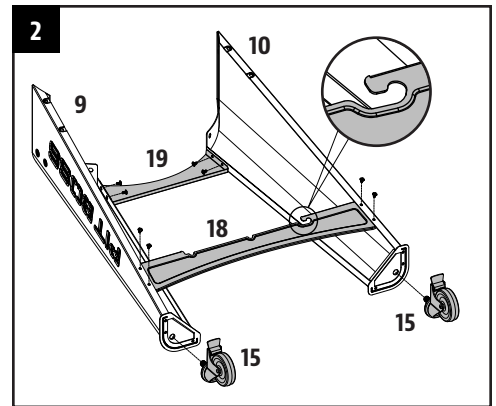
Erforderliche Teile:

- 1 x Linkes Vorderbein (#9)
- 1 x Linkes Hinterbein (#10)
- 1 x Linkere untere Stützplatte (#18)
- 1 x Kurze Stützplatte (#19)
- 2 x Lenkrolle mit Bremse (#15)
- 8 x Schraube (#D)

Montage:

- Montieren Sie eine kurze Stützplatte an der Seite des Grills zwischen einem vorderen und einem hinteren Stützbein mit vier Schrauben. Wiederholen Sie den Vorgang, um die untere Stützplatte an dieselben Beine zu montieren.
- Setzen Sie jede Feststellrolle durch festes Anziehen in das Loch an der Unterseite der einzelnen Stützbeine ein. Achten Sie darauf, dass die Feststellrolle vollständig eingeführt ist, indem Sie sicherstellen, dass sie sich nicht weiter drehen lässt.

HINWEIS: Achten Sie darauf, dass die untere Stützplatte richtig eingesetzt ist.



3. ANBRINGUNG DER STÜTZPLATTEN UND RÄDER

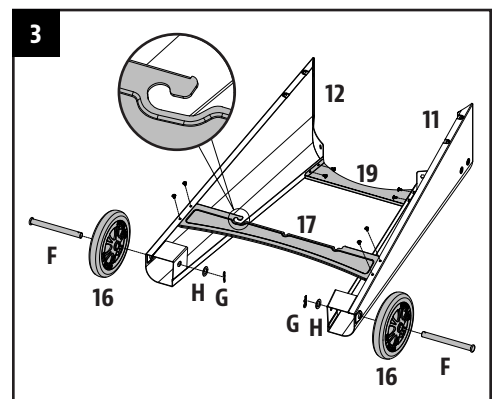
Erforderliche Teile:

- 1 x Rechtes Vorderbein (#11)
- 1 x Rechtes Hinterbein (#12)
- 1 x Rechte untere Stützplatte (#17)
- 1 x Kurze Stützplatte (#19)
- 2 x Rad (#16)
- 8 x Schraube (#D)
- 2 x Radachsenbolzen (#F)
- 2 x Radsteckerstift (#G)
- 2 x Radunterlegscheibe (#H)

Montage:

- Montieren Sie eine kurze Stützplatte an der Seite des Grills zwischen einem vorderen und einem hinteren Stützbein mit vier Schrauben. Wiederholen Sie den Vorgang, um die untere Stützplatte an dieselben Beine zu montieren.
- Befestigen Sie das große Rad am Stützbein, indem Sie den Achsenbolzen durch das Loch im Radstützbein stecken und dann mit dem Radsteckerstift sichern. Wiederholen Sie den Vorgang auf der anderen Seite.

HINWEIS: Achten Sie darauf, dass die untere Stützplatte richtig eingesetzt ist.



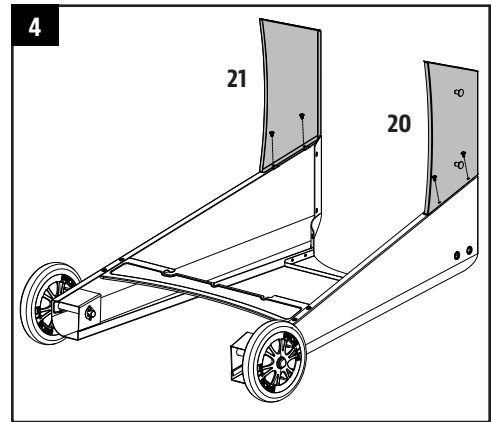
4. ANBRINGUNG DER STÜTZPLATTEN FÜR DIE RÄDERBEINE

Erforderliche Teile:

- 1 x Fvordere lange Stützplatte (#20)
- 1 x Hintere lange Stützplatte (#21)
- 4 x Schraube (#D)

Montage:

- Befestigen Sie eine lange Stützplatte mit zwei Schrauben an einem Stützbein für das Rad. Achten Sie dabei darauf, dass die flache Seite der Stützplatte nach außen weist. Wiederholen Sie den Vorgang, um die andere lange Stützplatte an das andere Stützbein anzubringen.



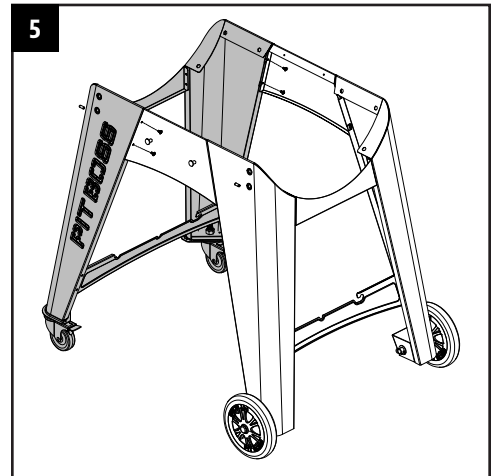
5. ANBRINGUNG DER STÜTZPLATTEN FÜR DIE BEINE MIT FESTSTELLROLLEN

Erforderliche Teile:

- 4 x Schraube (#D)

Montage:

- Danach bringen Sie die langen Stützplatten an die Stützbeine der Lenkrolle an. Jede Platte wird dabei mit zwei Schrauben gesichert.



6. MONTAGE DES BARRELS AUF DEN WAGEN

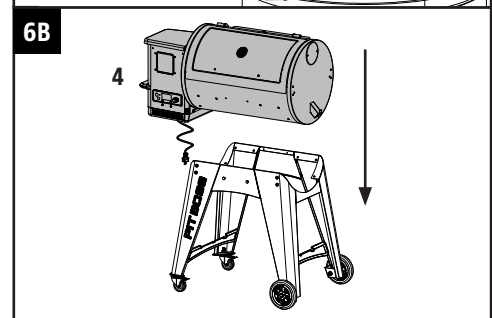
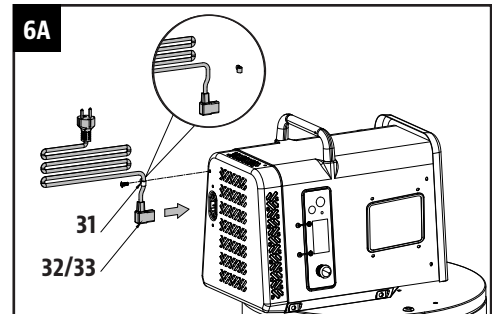
Erforderliche Teile:

- 1 x Barrel (großes Stahlrohr)/Montage des Schornsteins (#4)
- 12 x Schraube (#A)
- 12 x Unterlegscheibe (#B)
- 12 x Sicherungsscheibe (#C)
- 1 x Netzkabel (#32 oder #33)
- 1 x Kabelklemmen (#31)

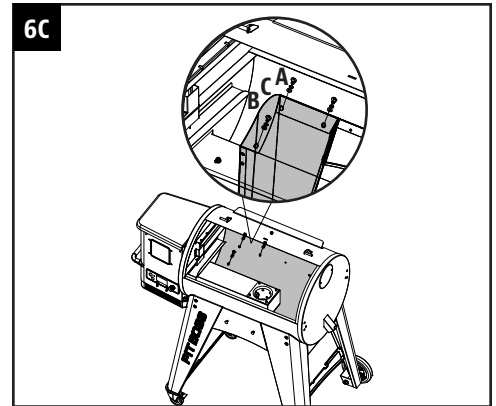
Montage:

HINWEIS: Es werden zwei Netzkabel mitgeliefert. Wählen Sie das richtige Netzkabel für Ihre Region aus.

- Stecken Sie die Kabelklemmen in das richtige Netzkabel. Stecken Sie das Netzkabel in die Nut am Boden der Pelletkammer. Befestigen Sie die Kabelklemme mit der zuvor installierten Schraube am Boden der Pelletkammer. Beachten Sie dazu auch Zeichnung 6A.
- Bereiten Sie die Montage des Barrels auf den Wagen vor. Heben Sie dafür den Wagen vorsichtig an, die Räder sollten dabei nach unten zeigen. Stellen Sie den Wagen direkt neben den Barrel, beide sollten dabei in dieselbe Richtung weisen. Arretieren Sie die Feststellrollen am Wagen. Mithilfe einer zweiten Person bereiten Sie sich darauf vor, den Barrel auf den Wagen zu heben. Dabei hebt eine Person an der Schornsteinseite und die andere das andere Ende des Barrels an und setzt ihn vorsichtig auf dem Wagen ab. Beachten Sie dazu auch Zeichnung 6B.



- Öffnen Sie danach den Deckel des Barrels. Drehen Sie den Barrel so weit als nötig, um die Schraubenlöcher des Barrels mit denen des Wagens auszurichten. Sobald die richtige Position erreicht ist, bringen Sie jedes der Beine mit drei Schrauben, Unterlegscheiben und Sicherungsscheiben am Barrel an. Beachten Sie dazu auch Zeichnung 6C.



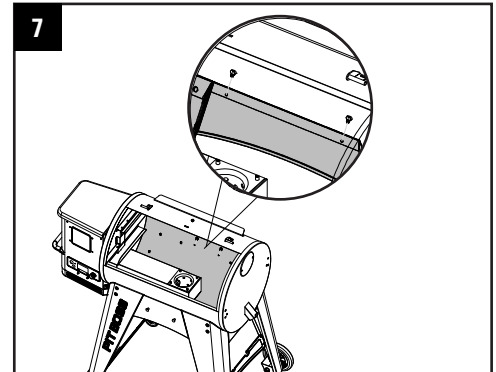
7. ANBRINGUNG DER STÜTZPLATTEN AM GRILL

Erforderliche Teile:

- 4 x Schraube (#E)

Montage:

- Befestigen Sie jede der langen Stützplatten mit zwei Schrauben am Barrel.



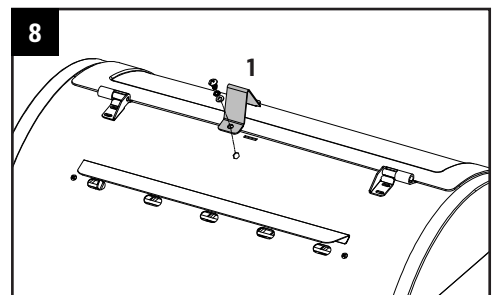
8. MONTAGE DES DECKELSTOPPERS

Erforderliche Teile:

- 1 x Deckelstopper (#1)

Montage:

- Befestigen Sie den Deckelstopper auf der Oberseite des Barrels mit der vormontierten Schraube auf der Oberseite des Barrels.



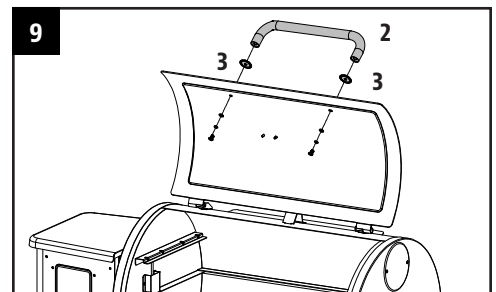
9. MONTAGE DES DECKELHALTERS

Erforderliche Teile:

- 1 x Deckelgriff (#2)
- 2 x Blende Deckelgriff (#3)

Montage:

- Entfernen Sie die vorinstallierten Schrauben vom Deckelhalter. Führen Sie dann auf der Innenseite des Barrel-Deckels eine Schraube ein, bis sie außen zu sehen ist. Bringen Sie die Blende an der Schraube an. Dann ziehen Sie die Schraube von Hand (und von innen) am Deckelhalter an. Wiederhole den Vorgang an der anderen Seite.



10. MONTAGE DER EINZELNEN BRATROSTTEILE

Erforderliche Teile:

- 1 x Große Platte für den Bratrost (#8)
- 1 x Schieberegler für den Bratrost (#7)

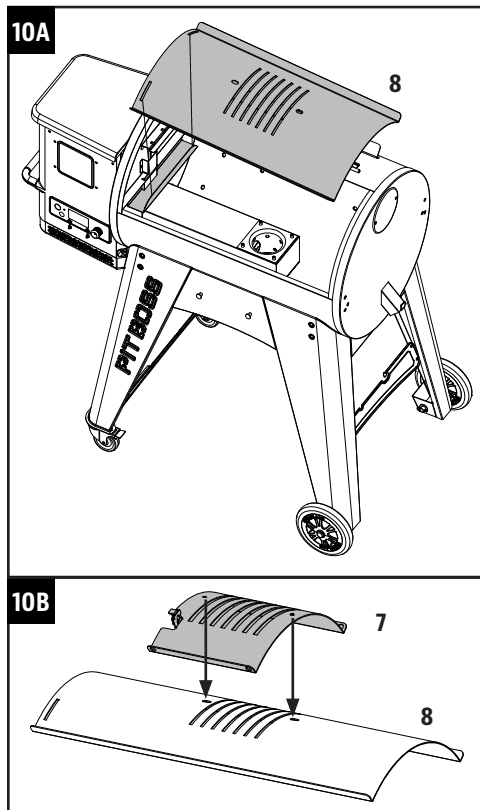
Montage:

- Setzen Sie die Hauptplatte des Bratrostes in den Hauptgrill ein. Legen Sie die Hauptplatte des Bratrostes auf die eingebaute Leiste (innen rechts) des Hauptgitters, die das Fett zum Auslauf des Fetteimers leitet. Schieben Sie das gesamte Teil nach links. Die beiden Schlitze auf der Hauptplatte des Bratrostes passen in die abgerundete Kante über der Feuerkammer. Sie ist dabei leicht nach unten geneigt. Beachten Sie dazu auch Zeichnung 10A.

WICHTIG: Wenn die Hauptplatte auf dem Grund des Barrels aufliegt, ist sie falsch montiert. Eine nicht ordnungsgemäße Montage kann das Gerät beschädigen.

- Platzieren Sie den Schieber des Bratrostes auf der Hauptplatte des Bratrostes. Dabei werden die Schlitze abgedeckt. Vergewissern Sie sich, dass sich die überstehende Lasche links befindet und die beiden Stifte an der Unterseite des Bratrostschiebers in die Löcher der Hauptplatte des Bratrostes einsetzen, um später beim Kochen einfach einstellen zu können, ob man direkte oder indirekte Hitze bevorzugt. Beide Teile des Bratrostes wurden leicht mit Öl eingerieben, um zu verhindern, dass sie während des Versandes Rost ansetzen. Beachten Sie dazu auch Zeichnung 10B.

HINWEIS: Um die Brenn- und Grilleistung Ihrer Garroste zu erhalten, ist eine regelmäßige Pflege und Wartung erforderlich. Siehe Anleitung im Handbuch.



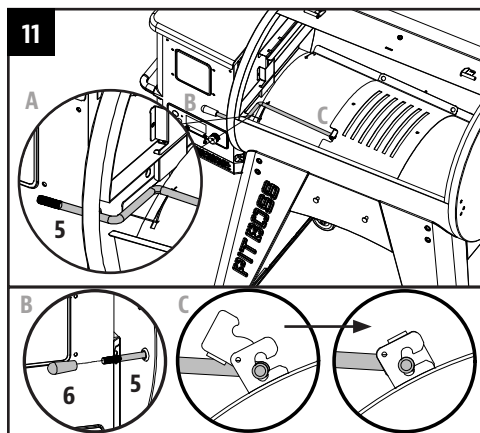
11. MONTAGE DER EINSTELLSTANGE FÜR DEN BRATROST

Erforderliche Teile:

- 1 x Einstellstange für den Bratrost (#5)
- 1 x Einstellstangenhalter für den Bratrost (#6)

Montage:

- Stecken Sie die Einstellschiene für den Bratrost durch das Öffnungsloch auf der linken Seite des Barrels. Bringen Sie den Einstellstangenhalter für den Bratrost an dem Ende außerhalb des Barrels an. Schieben Sie anschließend das gekerbte Ende der Einstellstange in die Verriegelungslasche des Bratrostschiebers, sodass Sie den Bratrostschieber auf der Hauptplatte problemlos einstellen können.



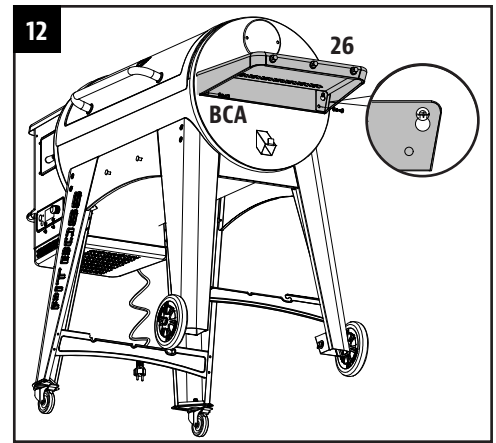
12. MONTAGE DER SEITLICHEN ABLAGE

Erforderliche Teile:

- 1 x Tisch rechts (#26)
- 2 x Schraube (#A)
- 2 x Unterlegscheibe (#B)
- 2 x Sicherungsscheibe (#C)

Montage:

- Lösen Sie die beiden vorinstallierten Schrauben an der Seite des Barrels. Hängen Sie zuerst die seitliche Ablagefläche an den Schrauben ein und ziehen Sie dann die beiden zuvor gelösten Schrauben fest.
- Befestigen Sie die seitliche Ablagefläche mit zwei Schrauben, Unterlegscheiben und Sicherungsscheiben von unten an der Seitenwand des Barrels.



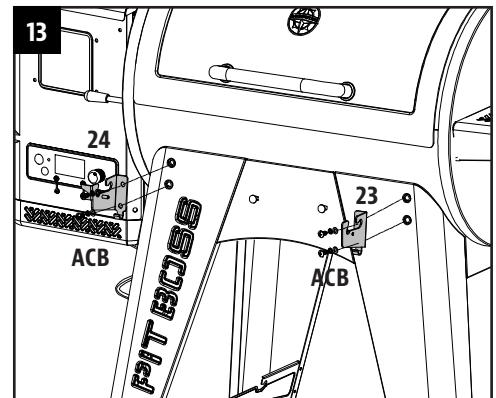
13. SICHERUNG DER VORDEREN ABLAGEHALTERUNGEN

Erforderliche Teile:

- 1 x Halterung der vorderen Ablage rechts (#23)
- 1 x Halterung der vorderen Ablage links (#24)
- 4 x Schraube (#A)
- 4 x Unterlegscheibe (#B)
- 4 x Sicherungsscheibe (#C)

Montage:

- Befestigen Sie die vordere Ablageflächenhalterung mit zwei Schrauben, Unterlegscheiben und Sicherungsscheiben am vorderen Stützbein.



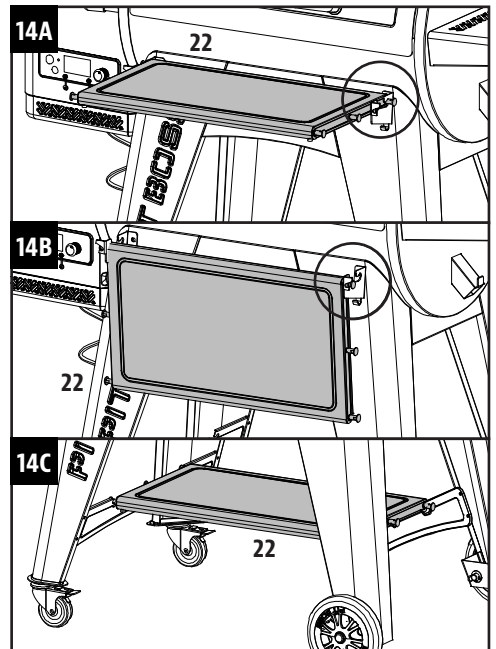
14. MONTAGE DER VORDEREN ABLAGE

Erforderliche Teile:

- 1 x Vordere Ablage (#22)

Montage:

- Legen Sie die vordere Ablagefläche auf die vorderen Ablageflächenhalterungen. Beachten Sie dazu auch Zeichnung 14A (hochgeklappte vordere Ablagefläche).
- Beachten Sie dazu auch Zeichnung 14B (heruntergeklappte vordere Ablagefläche).
- Die vordere Ablagefläche kann auch auf die unteren Stützplatten angebracht werden und so als Ablagefläche unten genutzt werden. Beachten Sie dazu auch Zeichnung 14C.



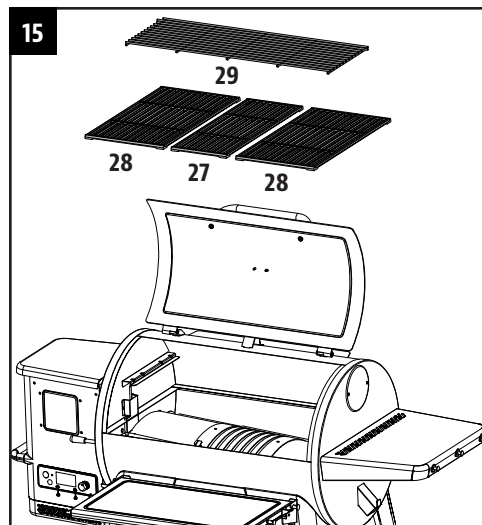
15. MONTAGE DER EINZELNEN TEILE DES GRILLKOCHERS

Erforderliche Teile:

- 1 x Grillrost A (#27)
- 2 x Grillrost B (#28)
- 1 x Warmhalterost (#29)

Montage:

- Legen Sie die Garroste nebeneinander auf die Gitterleiste im Inneren des Hauptgrills.
- Legen Sie den oberen Garguthalter auf die obere Leiste im Inneren des Hauptgrills. Der Warmhalterost rastet ein.



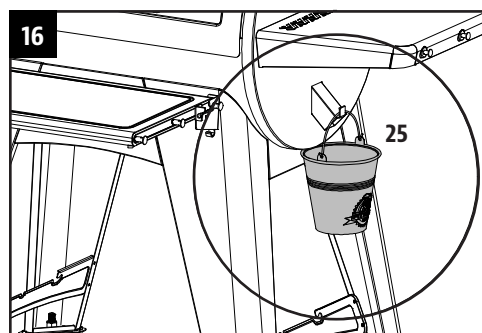
16. MONTAGE DES FETTEIMERS

Erforderliche Teile:

- 1 x Fetteimer (#25)

Montage:

- Montieren Sie den Fetteimer am Auslaufhaken am Ende des Barrels. Achten Sie darauf, dass er so angebracht ist, dass kein Fett auslaufen kann.
- Die Einheit ist jetzt vollständig montiert.

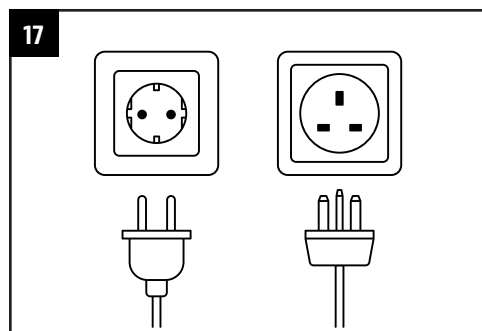


17. ANSCHLUSS AN DIE STROMVERSORGUNG

HINWEIS: Bevor Sie Ihren Pit Boss® an den Strom anschließen, achten Sie bitte darauf, dass das Temperaturread auf OFF (AUS) gestellt ist.

- **STANDARD-STECKDOSE**
Dieses Gerät benötigt 220-240 Volt, 50hz, 250w Stromanschluss. Es muss ein geerdeter Stecker sein.

WICHTIG: Trennen Sie das Gerät, wenn es nicht verwendet wird, von der Stromquelle.



WICHTIG: Hinweise zum Betrieb finden Sie im Handbuch des Gerätes.



AVVISO SUL COPYRIGHT

Copyright 2021. Tutti i diritti riservati. Nessuna parte del presente manuale può essere copiata, trasmessa, trascritta, memorizzata in un sistema di recupero dati, in qualsiasi forma o con qualsiasi mezzo senza espressa autorizzazione scritta di

Dansons

3411 North 5th Avenue, Suite 500, Phoenix, AZ, USA 85013
sales@pitboss-grills.com | service@pitboss-grills.com
www.pitboss-grills.com

Servizio clienti

Da lunedì a domenica, dalle 4 alle 20 PST (EN/FR/ES)
Numero verde: 1-877-303-3134, Fax: 1-877-303-3135

SOMMARIO

Parti e specifiche	42
Operazioni preliminari al montaggio	44
Istruzioni di montaggio	
Fissaggio dei piedini alle gambe di supporto	44
Fissaggio delle piastre di supporto e delle ruote girevoli	45
Fissaggio delle piastre di supporto e delle ruote	45
Fissaggio della piastra di supporto alle gambe di supporto delle ruote	46
Fissaggio della piastra di supporto alle gambe di supporto delle ruote girevoli	46
Montaggio della camera principale al carrello	46
Fissaggio delle piastre di supporto alla griglia	47
Installazione della chiusura del coperchio	47
Installazione della maniglia del coperchio	47
Installazione dei componenti del parafiamma	47
Installazione della barra di regolazione del parafiamma	48
Installazione del ripiano laterale	48
Fissaggio delle staffe del ripiano anteriore	49
Installazione del ripiano anteriore	49
Installazione dei componenti di cottura della griglia	50
Installazione del secchiello di raccolta grasso	50
Collegamento a una fonte di alimentazione	50

IT

ITALIANO

PARTI E SPECIFICHE

N. parte	Descrizione
1	Chiusura del coperchio (x1)
2	Maniglia del coperchio (x1)
3	Corona per maniglia coperchio (x2)
4	Gruppo camera principale/tramoggia (x1)
5	Barra di regolazione del parafiamma (x1)
6	Pomello della barra di regolazione del parafiamma (x1)
7	Elemento scorrevole del parafiamma (x1)
8	Piastra principale del parafiamma (x1)
9	Gamba di supporto anteriore sinistra (x1)
10	Gamba di supporto posteriore sinistra (x1)
11	Gamba di supporto anteriore destra (x1)
12	Gamba di supporto posteriore destra (x1)
13	Pezzo di raccordo per gamba di supporto anteriore sinistra (x1)
14	Pezzo di raccordo per gamba di supporto posteriore sinistra (x1)
15	Ruota girevole con freno (x2)
16	Ruota (x2)
17	Piastra di supporto inferiore destra (x1)
18	Piastra di supporto inferiore sinistra (x1)
19	Piastra di supporto corta (x2)
20	Piastra di supporto lunga anteriore (x1)
21	Piastra di supporto lunga posteriore (x1)
22	Ripiano anteriore (x1)
23	Staffa destra del ripiano anteriore (x1)
24	Staffa sinistra del ripiano anteriore (x1)
25	Secchiello di raccolta grasso (x1)
26	Ripiano lato destro (x1)
27	Griglia di cottura A (x1)

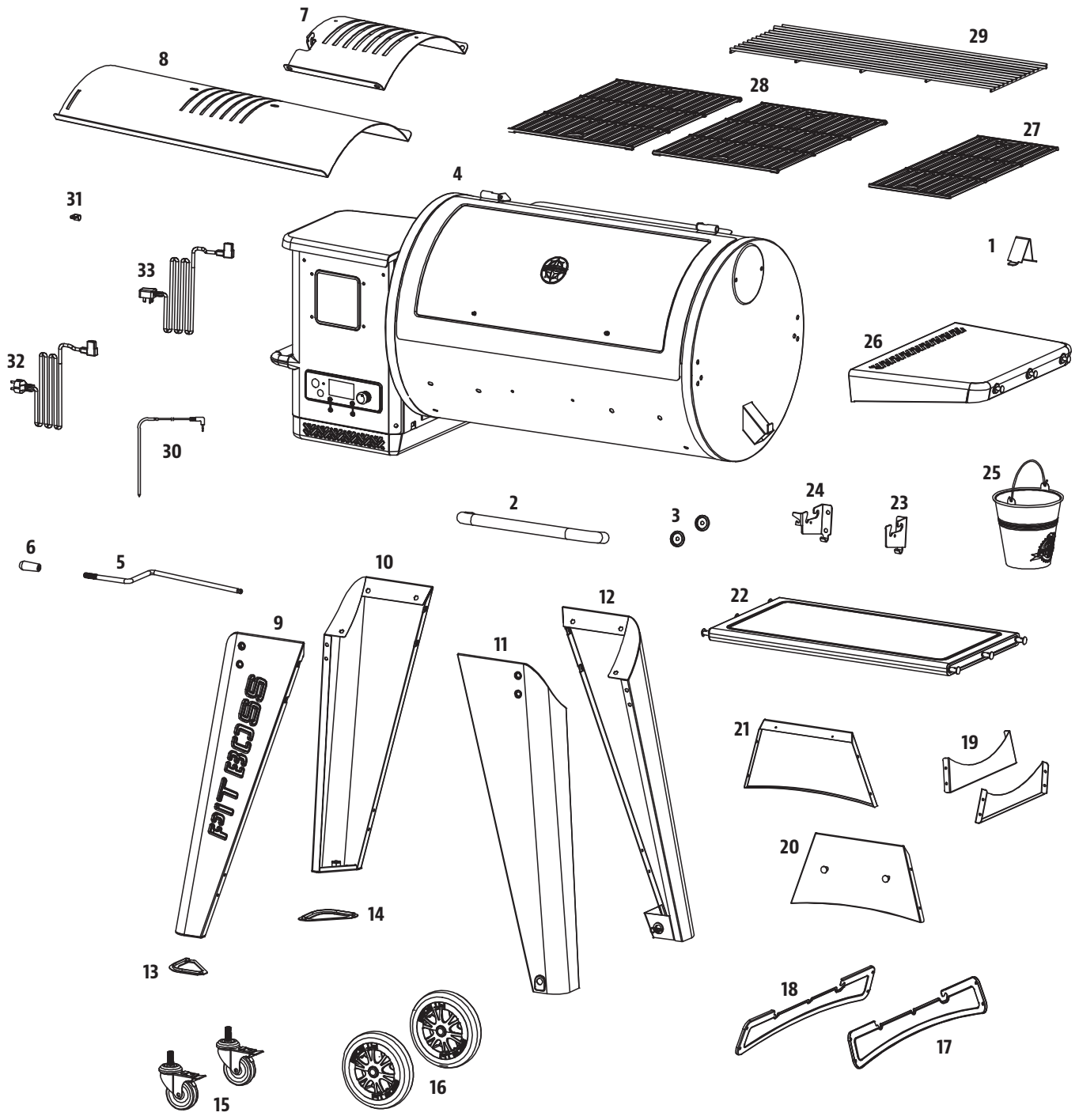
N. parte	Descrizione
28	Griglia di cottura B (x2)
29	Rastrelliera per riscaldare il cibo (x1)
30	Sonda carni (x1)
31	Copiglia cavo di alimentazione (x1)
32	Cavo di alimentazione - Spina F (x1)
33	Cavo di alimentazione - Spina G (x1)
A	Vite (x18)
B	Rondella (x18)
C	Rondella di bloccaggio (x18)
D	Vite (x30)
E	Vite (x4)
F	Perno asse ruota (x2)
G	Copiglia ruota (x2)
H	Rondella ruota (x2)

NOTA: per lo sviluppo continuo del prodotto, le parti sono soggette a modifiche senza preavviso. Contattare il Servizio clienti se le parti sono mancanti durante l'assemblaggio dell'unità.

PB - REQUISITI ELETTRICI
220-240 V, 50 Hz, 250 W, SPINA CON MESSA A TERRA

Illustrazione a diagramma nella pagina successiva.

MODELLO	UNITÀ ASSEMBLATA (LxAxP)	PESO UNITARIO	AREA COTTURA	INTERVALLO TEMP.	FUNZIONI DIGITALI
PB PB850G	1472mm x 1195mm x 940mm / 57,9" x 47" x 37"	74,5 kg / 164,24 lb	Corpo principale - 3825,8 cm ² / 593 sq. in. Rastrelliera superiore - 1845,2 cm ² / 286 sq. in. TOTALE - 5671 cm² / 879 sq. in.	82-260°C / 180-500°F	Dieci preimpostazioni di temperatura, ciclo di avvio, dispositivo di accensione elettrico



OPERAZIONI PRELIMINARI AL MONTAGGIO

Le parti si trovano in tutto il cartone di spedizione, anche sotto la griglia. Ispezionare la griglia, le parti e la confezione blister della viteria dopo la rimozione dal cartone di spedizione di protezione. Eliminare tutti i materiali di imballaggio all'interno e all'esterno della griglia prima del montaggio, quindi esaminare e ispezionare tutte le parti facendo riferimento all'elenco dei componenti. Se una parte è mancante o danneggiata, non tentare di assemblare il prodotto. I danni di spedizione non sono coperti dalla garanzia. Per le parti di ricambio, contattare il rivenditore o il Servizio clienti Pit Boss dal lunedì alla domenica, dalle 4 alle 20 PST (EN/FR/ES).

service@pitboss-grills.com | Numero verde (telefono): 1-877-303-3134 | Numero verde (fax): 1-877-303-3135

IMPORTANTE: per facilitare l'installazione, la presenza di due persone è utile (ma non necessaria) durante l'assemblaggio dell'unità.

Strumenti necessari per il montaggio: cacciavite e livella. *Strumenti non inclusi.*



IT

ITALIANO

ISTRUZIONI DI MONTAGGIO

IMPORTANTE: prima di iniziare le operazioni di montaggio in base alle istruzioni, si consiglia di leggere interamente ogni passaggio. Non serrare completamente le viti fino a quando non siano state inserite tutte le viti per quel passaggio. La viteria che comprende una rondella di sicurezza e un'altra rondella deve essere installata con la rondella di sicurezza più vicina alla testa della vite.

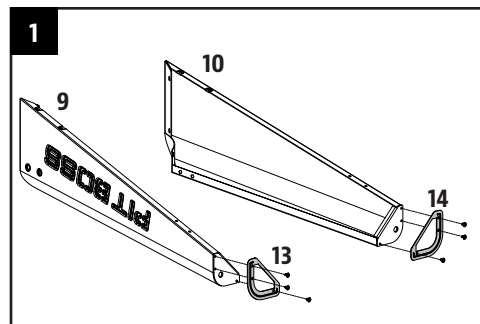
1. FISSAGGIO DEI PIEDINI ALLE GAMBE DI SUPPORTO

Parti necessarie:

- 1 x Gamba di supporto anteriore sinistra (#9)
- 1 x Gamba di supporto posteriore sinistra (#10)
- 1 x Pezzo di raccordo per gamba di supporto anteriore sinistra (#13)
- 1 x Pezzo di raccordo per gamba di supporto posteriore sinistra (#14)
- 6 x Vite (#D)

Installazione:

- Utilizzare tre viti per fissare il pezzo di raccordo anteriore sinistro alla gamba di supporto anteriore sinistra per la ruota girevole bloccabile. Continuare a installare la gamba di supporto anteriore sinistra per la ruota girevole bloccabile e il pezzo di raccordo per la gamba di supporto posteriore sinistra.



2. FISSAGGIO DELLE PIASTRE DI SUPPORTO E DELLE RUOTE GIREVOLI

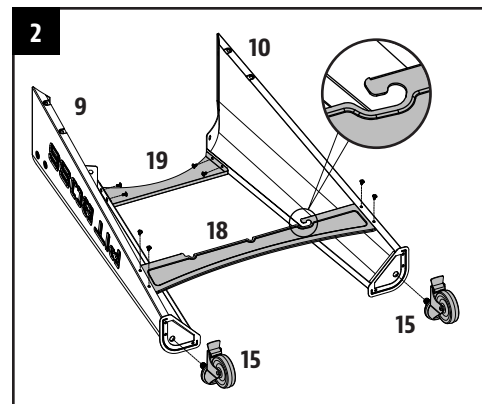
Parti necessarie:

- 1 x Gamba di supporto anteriore sinistra (#9)
- 1 x Gamba di supporto posteriore sinistra (#10)
- 1 x Piastra di supporto inferiore sinistra (#18)
- 1 x Piastra di supporto corta (#19)
- 2 x Ruota girevole con freno (#15)
- 8 x Vite (#D)

Installazione:

- Installare una piastra di supporto corta al lato dell'unità tra le gambe di supporto anteriore e posteriore utilizzando quattro viti. Ripetere la stessa procedura di installazione per montare la piastra di supporto inferiore alle stesse gambe di supporto.
- Inserire ciascuna delle ruote girevoli bloccabili nella parte inferiore delle gambe di supporto serrandole a mano nel foro. Assicurarsi che la ruota girevole sia inserita completamente verificando che non possa ruotare ulteriormente.

NOTA: assicurarsi che la piastra di supporto inferiore sia rivolta nella direzione corretta.



3. FISSAGGIO DELLE PIASTRE DI SUPPORTO E DELLE RUOTE

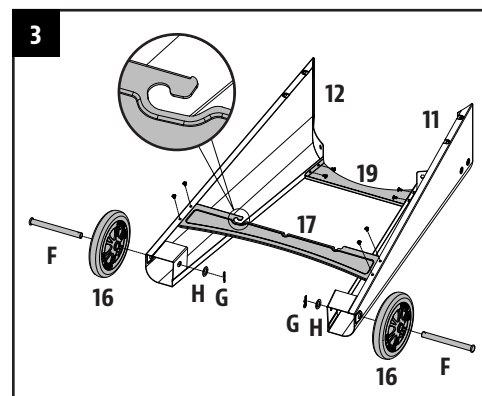
Parti necessarie:

- 1 x Gamba di supporto anteriore destra (#11)
- 1 x Gamba di supporto posteriore destra (#12)
- 1 x Piastra di supporto inferiore destra (#17)
- 1 x Piastra di supporto corta (#19)
- 2 x Ruota (#16)
- 8 x Vite (#D)
- 2 x Perno asse ruota (#F)
- 2 x Copiglia ruota (#G)
- 2 x Rondella ruota (#H)

Installazione:

- Installare una piastra di supporto corta al lato dell'unità tra le gambe di supporto anteriore e posteriore utilizzando quattro viti. Ripetere la stessa procedura di installazione per montare la piastra di supporto inferiore alle stesse gambe di supporto.
- Fissare la ruota grande alla gamba di supporto inserendo il perno dell'asse della ruota nel foro della gamba di supporto della ruota e infine fissare il perno con la copiglia. Ripetere l'installazione per l'altra ruota sullo stesso lato.

NOTA: assicurarsi che la piastra di supporto inferiore sia rivolta nella direzione corretta.



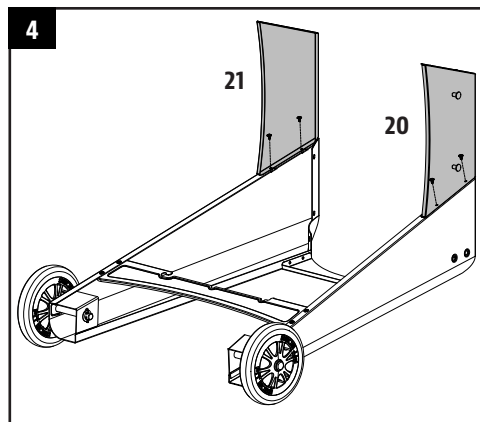
4. FISSAGGIO DELLA PIASTRA DI SUPPORTO ALLE GAMBE DI SUPPORTO DELLE RUOTE

Parti necessarie:

- 1 x Piastra di supporto lunga anteriore (#20)
- 1 x Piastra di supporto lunga posteriore (#21)
- 4 x Vite (#D)

Installazione:

- Fissare una piastra di supporto lunga a una delle gambe di supporto delle ruote utilizzando due viti. Assicurarsi che la superficie piana della piastra di supporto sia rivolta verso l'esterno. Ripetere la stessa procedura di installazione per montare l'altra piastra di supporto lunga all'altra gamba di supporto.



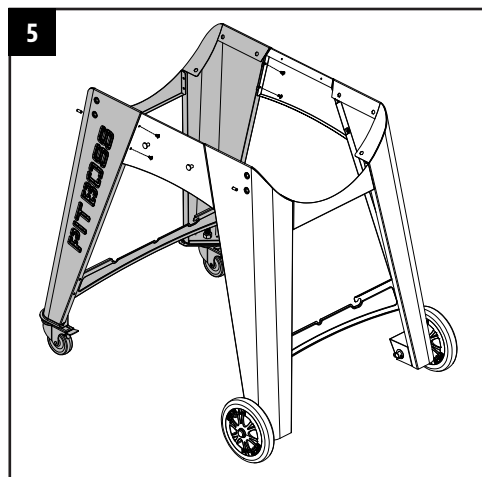
5. FISSAGGIO DELLA PIASTRA DI SUPPORTO ALLE GAMBE DI SUPPORTO DELLE RUOTE GIREVOLI

Parti necessarie:

- 4 x Vite (#D)

Installazione:

- Quindi, fissare le piastre di supporto lunghe alle gambe di supporto delle ruote girevoli. Effettuare il fissaggio utilizzando due viti per ciascuna piastra.



6. MONTAGGIO DELLA CAMERA PRINCIPALE AL CARRELLO

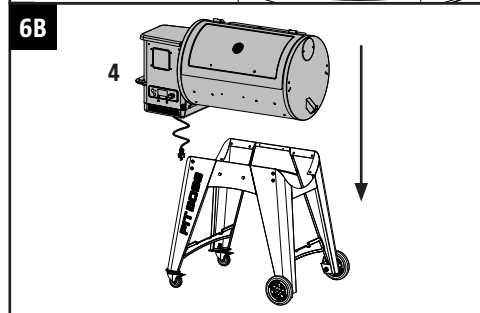
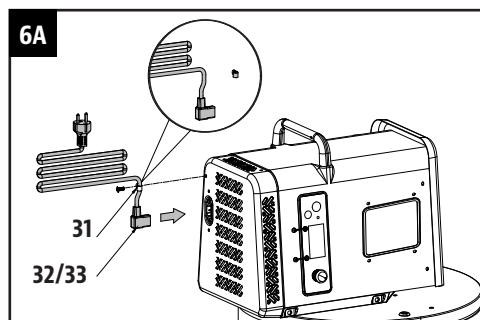
Parti necessarie:

- 1 x Gruppo camera principale/tramoggia (#4)
- 12 x Vite (#A)
- 12 x Rondella (#B)
- 12 x Rondella di bloccaggio (#C)
- 1 x Cavo di alimentazione (#32 o #33)
- 1 x Fermacavi (#31)

Installazione:

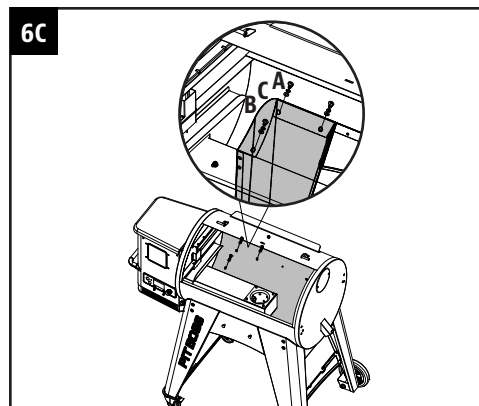
NOTA: vengono forniti due cavi di alimentazione. Selezionare il cavo di alimentazione richiesto per l'area geografica di utilizzo.

- Posiziona i fermacavi sul cavo di alimentazione corretto. Posiziona i fermacavi sul cavo di alimentazione corretto. Inserisci il cavo di alimentazione nel boschetto sul fondo della tramoggia. Fissa il fermacavo sul fondo della tramoggia con la vite precedentemente installata. Osservare la figura 6A.
- Preparare la camera principale per il montaggio al carrello. Sollevare con cautela il carrello in posizione verticale con le ruote nella parte inferiore. Posizionare il carrello accanto alla camera principale, entrambi rivolti nella stessa direzione. Bloccare le ruote girevoli del carrello. Con l'aiuto di una seconda persona, prepararsi a sollevare la camera principale sul carrello. Con una persona che esegue l'operazione di sollevamento sul lato della tramoggia



e l'altra che esegue la stessa operazione all'estremità opposta della camera, sollevare con cautela la camera principale e posizionarla lentamente sul carrello. Osservare la figura 6B.

- Aprire quindi il coperchio della camera principale. Regolare la rotazione per allineare i fori delle viti della camera principale al carrello. Dopo il posizionamento, fissare ogni gamba di supporto alla camera principale utilizzando tre viti, rondelle e rondelle di sicurezza. Osservare la figura 6C.



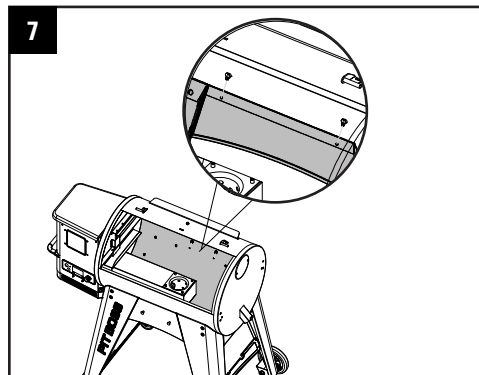
7. FISSAGGIO DELLE PIASTRE DI SUPPORTO ALLA GRIGLIA

Parti necessarie:

4 x Vite (#E)

Installazione:

- Fissare ciascuna piastra di supporto lunga alla camera principale utilizzando due viti.



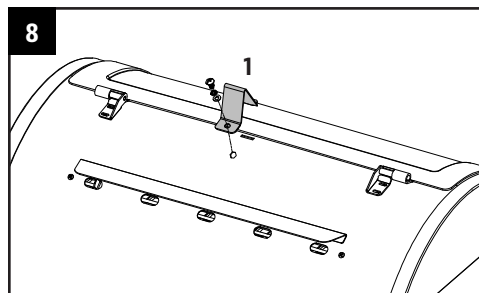
8. INSTALLAZIONE DELLA CHIUSURA DEL COPERCHIO

Parti necessarie:

1 x Chiusura del coperchio (#1)

Installazione:

- Fissare la chiusura del coperchio sulla parte superiore della camera principale utilizzando la vite preinstallata sulla parte superiore della camera principale.



9. INSTALLAZIONE DELLA MANIGLIA DEL COPERCHIO

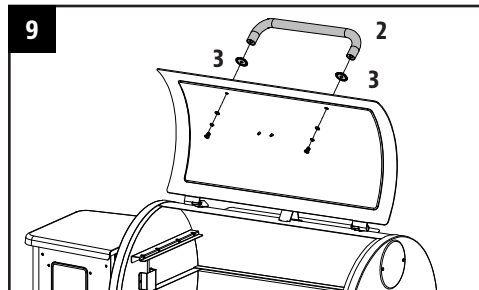
Parti necessarie:

1 x Maniglia del coperchio (#2)

2 x Corona per maniglia coperchio (#3)

Installazione:

- Rimuovere le viti preinstallate dalla maniglia del coperchio. Dall'interno del coperchio della camera, inserire una vite in modo che sporga verso l'esterno. Applicare una corona alla vite. Quindi serrare manualmente la vite (dall'interno) sulla maniglia del coperchio. Ripetere sull'altro lato.



10. INSTALLAZIONE DEI COMPONENTI DEL PARAFIAMMA

Parti necessarie:

- 1 x Piastra principale del parafiamma (#8)
- 1 x Elemento scorrevole del parafiamma (#7)

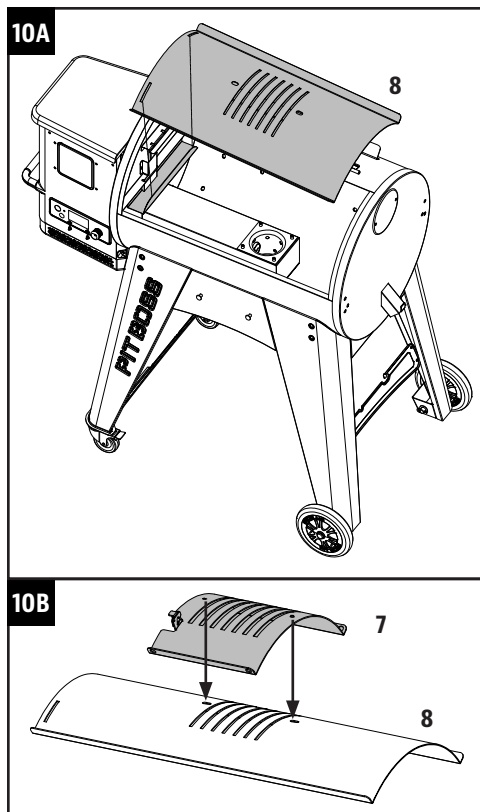
Installazione:

- Inserire la piastra principale del parafiamma nella griglia principale. Appoggiare la piastra principale del parafiamma sulla sporgenza (all'interno a destra) della griglia principale che fa defluire il grasso verso il secchiello di raccolta del grasso. Far scorrere tutto il pezzo a sinistra. Le due fessure sulla piastra principale del parafiamma si inseriranno nella sporgenza arrotondata al di sopra il recipiente di combustione. La parte si troverà in posizione leggermente angolata verso il basso. Osservare la figura 10A.

IMPORTANTE: se la piastra principale è appoggiata sulla base della camera, non è installata correttamente. Un'installazione non corretta potrebbe provocare danni alla camera principale della griglia.

- Posizionare l'elemento scorrevole del parafiamma sopra la piastra principale del parafiamma, coprendo le aperture. Assicurarsi che la linguetta sollevata sia a sinistra e che i due perni nella parte inferiore dell'elemento scorrevole del parafiamma siano inseriti nei fori della piastra principale del parafiamma in modo che sia possibile regolare facilmente la fiamma diretta e indiretta durante la cottura. Entrambe le parti del parafiamma sono leggermente oliate per evitare la formazione di ruggine durante la spedizione. Osservare la figura 10B.

NOTA: per mantenere le prestazioni di rosolatura e cottura della griglia, sono necessarie cura e manutenzione regolari. Consultare il Manuale dell'utente.



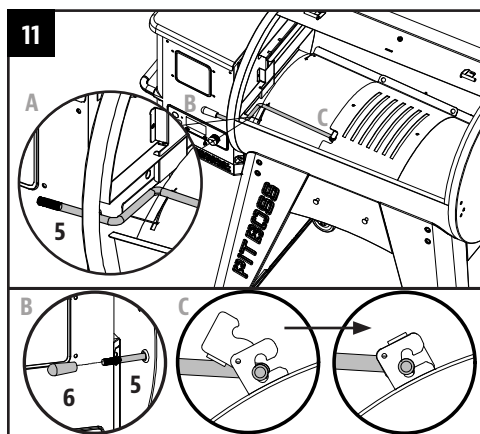
11. INSTALLAZIONE DELLA BARRA DI REGOLAZIONE DEL PARAFIAMMA

Parti necessarie:

- 1 x Barra di regolazione del parafiamma (#5)
- 1 x Pomello della barra di regolazione del parafiamma (#6)

Installazione:

- Inserire la barra di regolazione del parafiamma attraverso il foro di apertura sul lato sinistro della camera principale. Aggiungere il pomello della barra di regolazione del parafiamma sul lato esterno della camera. Successivamente, far scorrere l'estremità dentellata della barra di regolazione nella linguetta di bloccaggio sull'elemento scorrevole del parafiamma che fornisce un accesso regolabile all'elemento scorrevole del parafiamma sulla piastra principale.



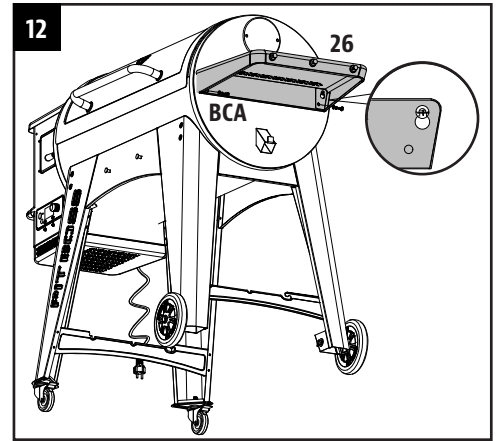
12. INSTALLAZIONE DEL RIPIANO LATERALE

Parti necessarie:

- 1 x Ripiano lato destro (#26)
- 2 x Vite (#A)
- 2 x Rondella (#B)
- 2 x Rondella di bloccaggio (#C)

Installazione:

- Allentare le due viti preinstallate sul lato della camera principale. Agganciare prima il ripiano laterale alle viti, quindi serrare le due viti precedentemente allentate.
- Dal basso, fissare il ripiano laterale al pannello laterale della camera principale utilizzando due viti, rondelle e rondelle di sicurezza.



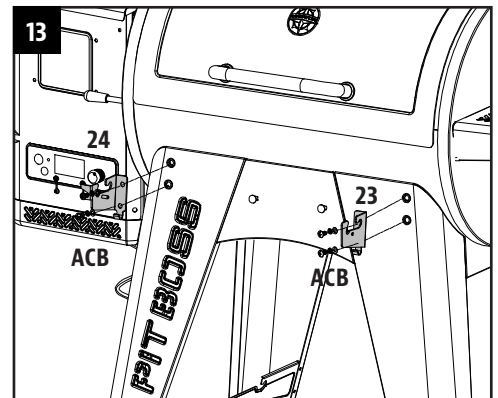
13. FISSAGGIO DELLE STAFFE DEL RIPIANO ANTERIORE

Parti necessarie:

- 1 x Staffa destra del ripiano anteriore (#23)
- 1 x Staffa sinistra del ripiano anteriore (#24)
- 4 x Vite (#A)
- 4 x Rondella (#B)
- 4 x Rondella di bloccaggio (#C)

Installazione:

- Fissare le staffe di supporto del ripiano anteriore alle gambe di supporto anteriori utilizzando due viti, rondelle di sicurezza e rondelle.



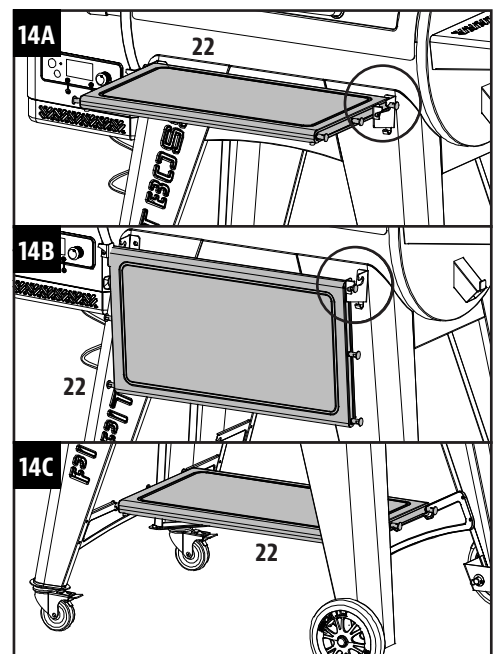
14. INSTALLAZIONE DEL RIPIANO ANTERIORE

Parti necessarie:

- 1 x Ripiano anteriore (#22)

Installazione:

- Posizionare il ripiano anteriore sulle relative staffe di supporto. Osservare la figura 14A con il ripiano anteriore in posizione orizzontale.
- Osservare la figura 14B con il ripiano anteriore in posizione verticale.
- Il ripiano anteriore può anche essere posizionato sulle piastre di supporto inferiori ed essere usato come piastra inferiore. Osservare la figura 14C.



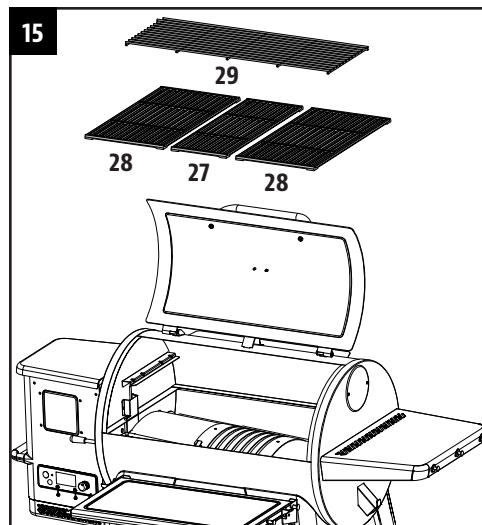
15. INSTALLAZIONE DEI COMPONENTI DI COTTURA DELLA GRIGLIA

Parts Required:

- 1 x Griglia di cottura A (#27)
- 2 x Griglia di cottura B (#28)
- 1 x Rastrelliera per riscaldare il cibo (#29)

Installation:

- Posizionare le griglie di cottura affiancate sul bordo della griglia all'interno della griglia principale.
- Posizionare la rastrelliera di cottura superiore sul bordo superiore all'interno della griglia principale. La rastrelliera per riscaldare il cibo si bloccherà nella posizione corretta.



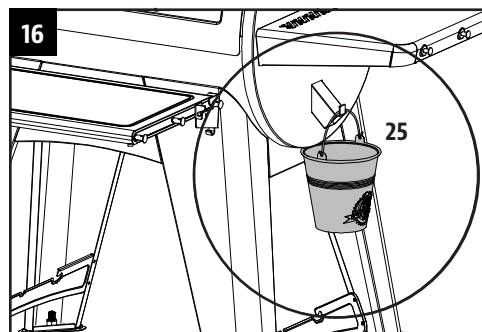
16. INSTALLAZIONE DEL SECCHIELLO DI RACCOLTA GRASSO

Parti necessarie:

- 1 x Secchiello di raccolta grasso (#25)

Installazione:

- Posizionare il secchiello di raccolta grasso sul gancio del beccuccio all'estremità della camera principale. Assicurarsi che sia a livello per evitare fuoriuscite di grasso.
- L'unità è ora completamente assemblata.



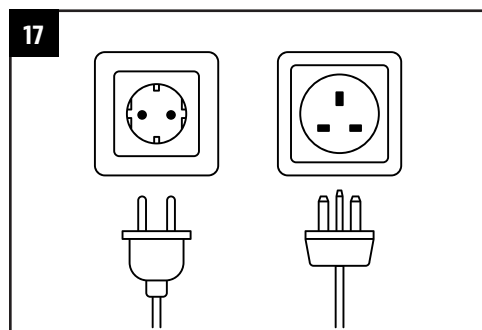
17. COLLEGAMENTO A UNA FONTE DI ALIMENTAZIONE

NOTA: prima di collegare l'unità Pit Boss® a una presa elettrica, assicurarsi che la manopola di regolazione della temperatura si trovi in posizione OFF.

• PRESA STANDARD

Questo apparecchio deve essere alimentato con 220-240 volt, 50 Hz, 250 W. Richiede un connettore con messa a terra.

IMPORTANTE: scollegare l'unità dalla fonte di alimentazione quando non è in uso.



IMPORTANTE: per le istruzioni operative, consultare il Manuale dell'utente



BEMÆRKNING OM OPHAVSRET

Copyright 2021 Alle rettigheder forbeholdes. Ingen del af denne vejledning må kopieres, overføres, transskriberes, gemmes i et overførselssystem i nogen form eller på nogen måde uden udtrykkelig skriftlig tilladelse fra

Dansons

3411 North 5th Avenue, Suite 500, Phoenix, AZ, USA 85013
sales@pitboss-grills.com | service@pitboss-grills.com
www.pitboss-grills.com

Kundeservice

Mandag til søndag kl. 04.00-20.00 PST (EN/FR/ES)
Gratis tlf.: +1-877-303-3134, fax: +1-877-303-3135

INDHOLDSFORTEGNELSE

Dele og specifikationer	52
Klargøring af montage	54
Monteringsvejledning	
Fastgørelse af fødder til støtteben.....	54
Fastgørelse af støtteplader og møbelhjul.....	55
Fastgørelse af støtteplader og hjul.....	55
Fastgørelse af støtteplade til støtteben til hjul.....	56
Fastgørelse af støtteplade til støtteben til møbelhjul.....	56
Montering af hovedtønde på vogn	56
Fastgørelse af støtteplader til grillen.....	57
Montering af lågstop	57
Montering af låghåndtag.....	57
Montering af grilllågskomponenter	58
Montering af justeringsstang til grilllæg	58
Montering af sidehylde	58
Fastgørelse af beslag til forreste hylde	59
Montering af forreste hylde.....	59
Montering af grillens tilberedelseskomponenter	59
Montering af fedtspand	60
Tilslutning til en strømkilde	60

DK

DANSK

DELE OG SPECIFIKATIONER

Delnr.	Beskrivelse
1	Lågstop (x1)
2	Låghåndtag (x1)
3	Låghåndtagsring (x2)
4	Hovedtønde/magasinenhed (x1)
5	Justeringsstang til grilllæg (x1)
6	Håndtag til justeringsstang til grilllæg (x1)
7	Skyderplade i grilllæg (x1)
8	Hovedplade i grilllæg (x1)
9	Forreste venstre ben (x1)
10	Bagerste venstre ben (x1)
11	Forreste højre ben (x1)
12	Bagerste højre ben (x1)
13	Fod til forreste venstre ben (x1)
14	Fod til bagerste venstre ben (x1)
15	Drejehjul med bremse (x2)
16	Hjul (x2)
17	Nederste højre støtteplade (x1)
18	Nederste venstre støtteplade (x1)
19	Kort støtteplade (x2)
20	Lang støtteplade forrest (x1)
21	Lang støtteplade bagerst (x1)
22	Forreste hylde (x1)
23	Beslag til forreste hylde (højre) (x1)
24	Beslag til forreste hylde (venstre) (x1)
25	Fedtspand (x1)
26	Højre sidebord (x1)
27	Stegerist A (x1)
28	Stegerist B (x2)
29	Opvarmningsstativ (x1)
30	Stegetermometer (x1)

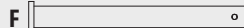
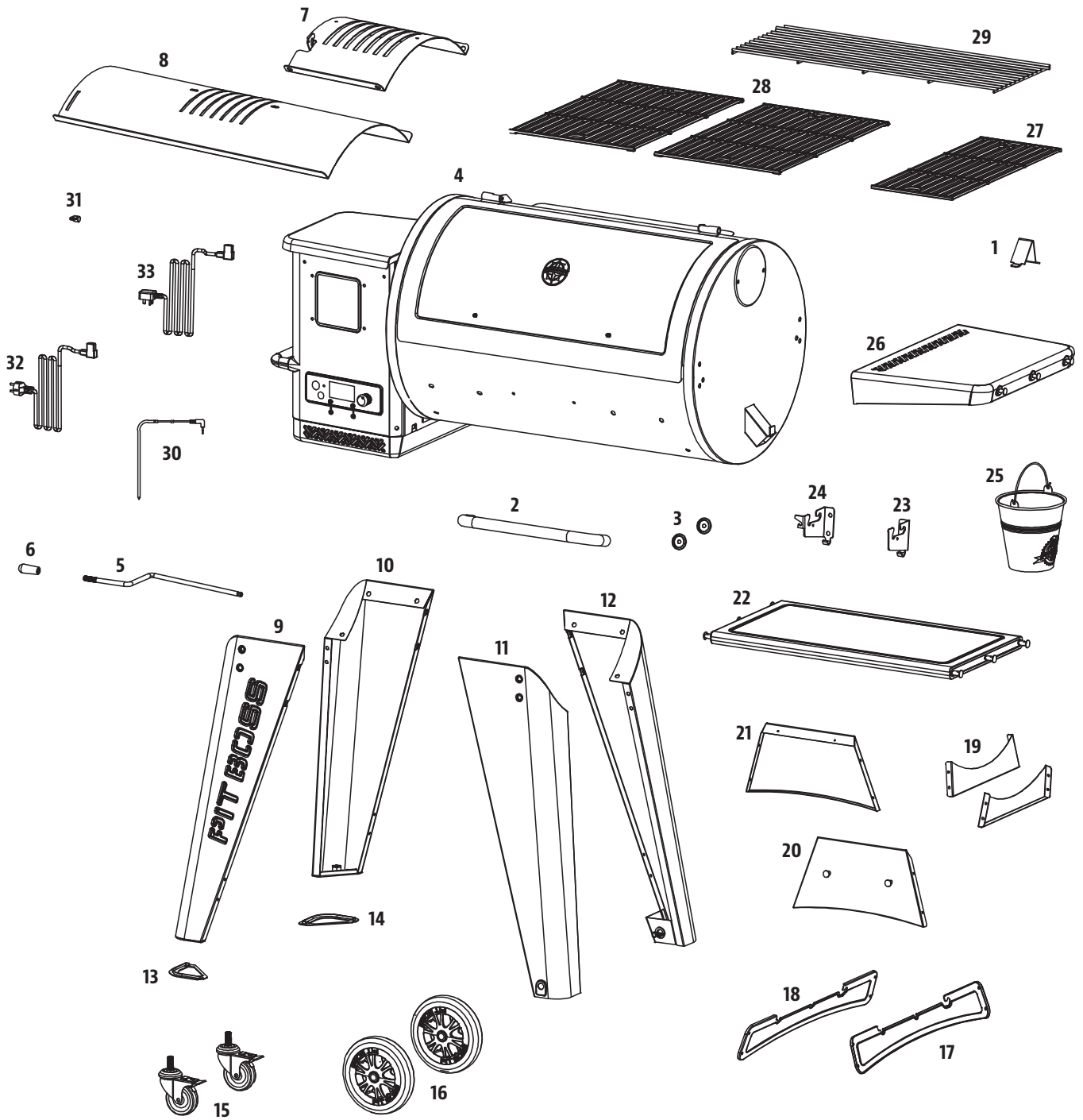
Delnr.	Beskrivelse
31	Strømkabelklemme (x1)
32	Strømkabel – F-stik (x1)
33	Strømkabel – G-stik (x1)
A	Skruer (x18)
B	Spændeskive (x18)
C	Fjederskive (x18)
D	Skruer (x30)
E	Skruer (x4)
F	Hjulakselstift (x2)
G	Hjulsplitt (x2)
H	Hjulspændeskive (x2)

BEMÆRK: På grund af løbende produktudvikling kan dele være ændret uden varsel. Kontakt kundeservice, hvis der mangler dele ved montering af enheden.

PB – STRØMKRAV
220-240 V, 50 Hz, 250 W, JORDFORBUNDET STIK

Illustreret skema på næste side.

MODEL	MONTERET ENHED (B x H x D)	ENHEDS VÆGT	STEGEOMRÅDE	TEMP. INTERVAL	DIGITALE FUNKTIONER
PB PB850G	1472mm x 1195mm x 940mm / 57,9" x 47" x 37"	74,5 kg / 164,24 lb	Hoveddel - 3825,8 cm ² / 593 sq. in. Overdel - 1845,2 cm ² / 286 sq. in. / ALT - 5671 cm ² / 879 sq. in.	82-260°C / 180-500°F	Ti forudindstillede temperaturer, opstartscyklus, elektrisk tænder



KLARGØRING AF MONTAGE

Delene er fordelt i forsendelsesemballagen, også under grillen. Kontrollér grillen, dele og hardwareblisterpakke efter udtagning fra den beskyttende fragtkasse. Bortskaf al emballage inde i og omkring grillen, før den samles. Gennemgå og kontroller alle dele ud fra den medfølgende liste over dele. Hvis en del mangler eller er beskadiget, må du ikke forsøge at montere den. Skader som følge af fragten dækkes ikke af garantien. Kontakt din forhandler eller Pit Boss-kundeservice angående dele: mandag til søndag, 04:00-20:00 PST (EN/FR/ES).

service@pitboss-grills.com | Gratis tlf.: 1-877-303-3134 | Gratis fax: 1-877-303-3135

VIGTIGT: Det er en fordel at være to personer ved montering af denne enhed (dog ikke nødvendigt).

Krævede værktøjer ved montering: skruetrækker og vaterpas. *Værktøj er ikke inkluderet.*



MONTERINGSVEJLEDNING

VIGTIGT: Det anbefales at læse hvert trin helt igennem, før du påbegynder monteringen ifølge anvisningerne. Undgå at tilspænde skruerne helt, indtil alle skruer for det pågældende trin er skruet i. Hardwaren omfatter en fjederskive og en spændeskive, som skal bruges sammen med fjederskiven tættest på skruens hoved.

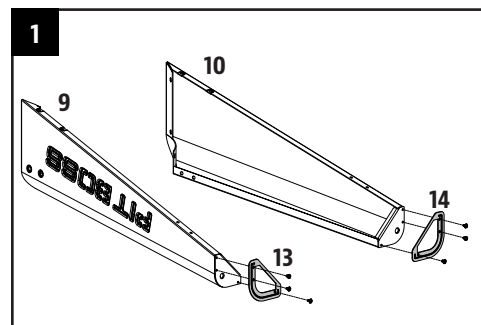
1. FASTGØRELSE AF FØDDER TIL STØTTEBEN

Krævede dele:

- 1 x Forreste venstre ben (#9)
- 1 x Bagerste venstre ben (#10)
- 1 x Fod til forreste venstre ben (#13)
- 1 x Fod til bagerste venstre ben (#14)
- 6 x Skruer (#D)

Montering:

- Brug tre skruer til at fastgøre foden til forreste venstre ben til det forreste venstre ben, hvor møbelhjulet med lås skal sidde. Gå videre til fastgørelsen af foden til bagerste venstre ben til det bagerste venstre ben, hvor møbelhjulet med lås skal sidde.



2. FASTGØRELSE AF STØTTEPLADER OG MØBELHJUL

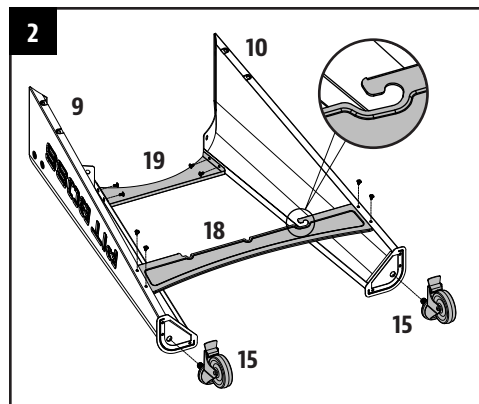
Krævede dele:

- 1 x Forreste venstre ben (#9)
- 1 x Bagerste venstre ben (#10)
- 1 x Nederste venstre støtteplade (#18)
- 1 x Kort støtteplade (#19)
- 2 x Drejhjul med bremse (#15)
- 8 x Skrue (#D)

Montering:

- Montér en kort støtteplade på siden af enheden mellem et af de forreste og et af de bagerste støtteben ved hjælp af fire skrue. Gentag den samme montering for at fastgøre den nederste støtteplade til de samme ben.
- Indfør hvert møbelhjul med lås i bunden af hvert støtteben, og skru derefter hjulene fast med håndkraft. Sørg for, at møbelhjulene med lås er skruet helt fast.

BEMÆRK: Sørg for, at den nederste støtteplade peger opad og i den rigtige retning.



3. FASTGØRELSE AF STØTTEPLADER OG HJUL

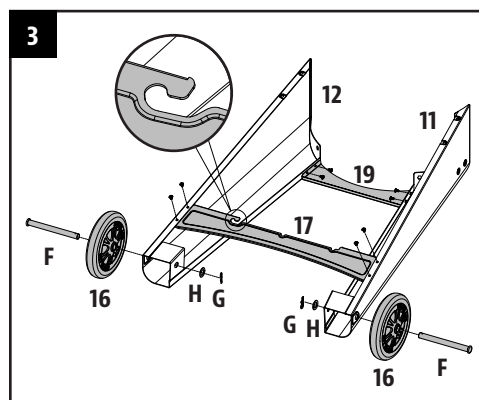
Krævede dele:

- 1 x Forreste højre ben (#11)
- 1 x Bagerste højre ben (#12)
- 1 x Nederste højre støtteplade (#17)
- 1 x Kort støtteplade (#19)
- 2 x Hjul (#16)
- 8 x Skrue (#D)
- 2 x Hjulakselstift (#F)
- 2 x Hjulsplit (#G)
- 2 x Hjulspændeskive (#H)

Montering:

- Montér en kort støtteplade på siden af enheden mellem et af de forreste og et af de bagerste støtteben ved hjælp af fire skrue. Gentag den samme montering for at fastgøre den nederste støtteplade til de samme ben.
- Fastgør det store hjul til støttebenet ved at indføre hjulakselstiften gennem hjulet og derefter hullet i støttehjulet. Fastgør til sidst hjulet med hjulsplitten. Gentag monteringen for det andet ben på samme side.

BEMÆRK: Sørg for, at den nederste støtteplade peger opad og i den rigtige retning.



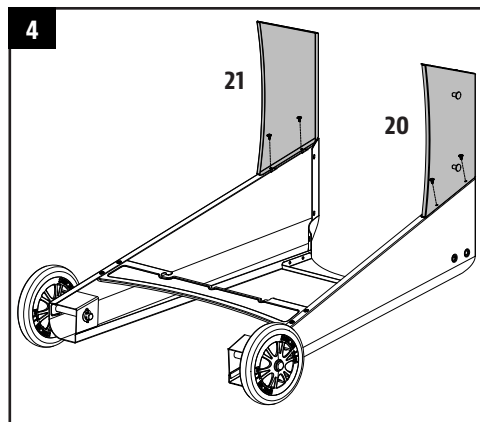
4. FASTGØRELSE AF STØTTEPLADE TIL STØTTEBEN TIL HJUL

Krævede dele:

- 1 x Lang støtteplade forrest (#20)
- 1 x Lang støtteplade bagerst (#21)
- 4 x Skrue (#D)

Montering:

- Fastgørelse en lang støtteplade til et støtteben til hjul ved hjælp af to skruer. Sørg for, at den flade side af støttepladen vender udad. Gentag den samme montering for at fastgøre den anden lange støtteplade til det andet støtteben.



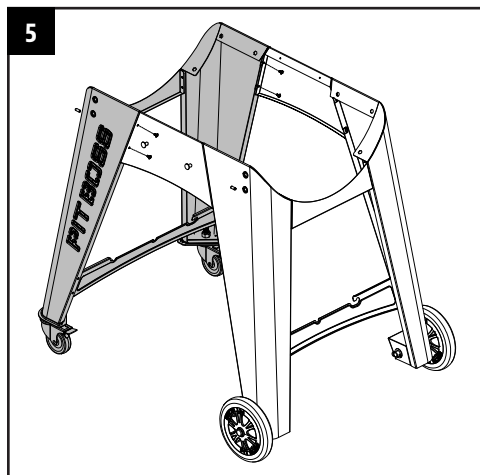
5. FASTGØRELSE AF STØTTEPLADE TIL STØTTEBEN TIL MØBELHJUL

Krævede dele:

- 4 x Skrue (#D)

Montering:

- Fastgør derefter de lange støtteplader til støttebenene med møbelhjul. Fastgør hver plade ved hjælp af to skruer.



6. MONTERING AF HOVEDTØNDE PÅ VOGN

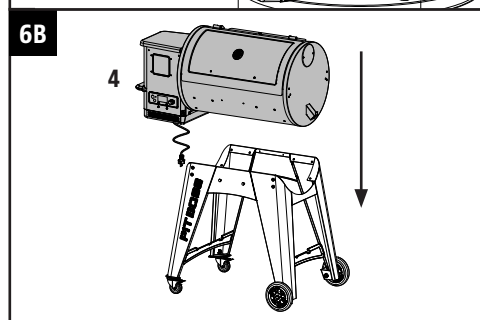
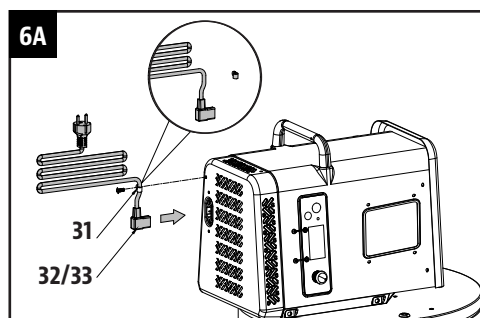
Krævede dele:

- 1 x Hovedtønde/magasinenhed (#4)
- 12 x Skrue (#A)
- 12 x Spændeskive (#B)
- 12 x Fjederskive (#C)
- 1 x Strømkabel (#32 eller #33)
- 1 x Kabelklemmerne (#31)

Montering:

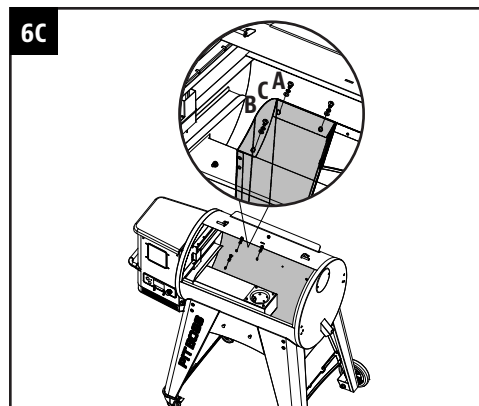
BEMÆRK: Der leveres to strømkabler. Vælg det strømkabel, der kræves til din region.

- Placer kabelklemmerne på den korrekte strømledning. Indsæt strømkablet i bunden af tragten. Fastgør kabelklemmen til bunden af tragten med den tidligere installerede skrue. Bemærk illustration 6A.
- Gør hovedtønden klar til at blive monteret på vognen. Løft forsigtigt vognen op i stående position med hjulene nederst. Placer vognen ved siden af hovedtønden, så de begge peger samme vej. Lås møbelhjulene på vognen. Find en anden person, der kan hjælpe dig, og gør jer klar til at løfte hovedtønden over på vognen. Den ene af jer stiller sig på magasinsiden, mens den anden placerer sig på den modsatte side af tønden, og når I er klar, løfter I forsigtigt hovedtønden, hvorefter I langsomt sænker den ned på



vognen. Bemærk illustration 6B.

- Åbn derefter låget på hovedtønden. Drej hovedtønden, så dens skruehuller passer til vognen. Når den korrekte placering er opnået, skal hvert ben fastgøres til hovedtønden ved hjælp af tre skruer, spændeskiver og fjederskiver. Bemærk illustration 6C.



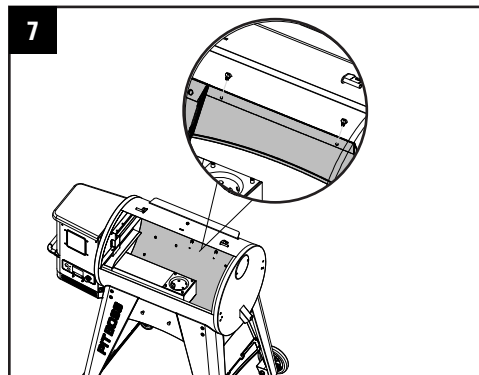
7. FASTGØRELSE AF STØTTEPLADER TIL GRILLEN

Krævede dele:

4 x Skruer (#E)

Montering:

- Fastgør de lange støtteplader til hovedtønden ved hjælp af to skruer.



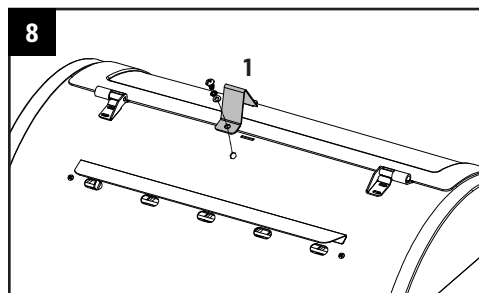
8. MONTERING AF LÅGSTOP

Krævede dele:

1 x Lågstop (#1)

Montering:

- Fastgør lågstoppet på toppen af hovedtønden ved hjælp af den formonterede skrue oven på hovedtønden.



9. MONTERING AF LÅGHÅNDTAG

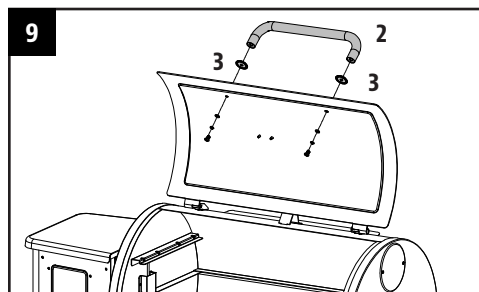
Krævede dele:

1 x Låghåndtag (#2)

2 x Låghåndtagsringl (#3)

Montering:

- Fjern de formonterede skruer fra låghåndtaget. Fra indersiden af tøndens låg skal du indføre en skrue, så den stikker frem på ydersiden. Læg en ring over skruen. Skru derefter skruen (fra indersiden) ind i låghåndtaget med



håndkraft. Gentag på den anden side.

10. MONTERING AF GRILLÅGSKOMPONENTER

Krævede dele:

- 1 x Hovedplade i grillåge (#8)
- 1 x Skyderplade i grillåge (#7)

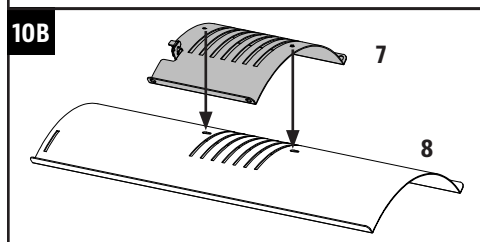
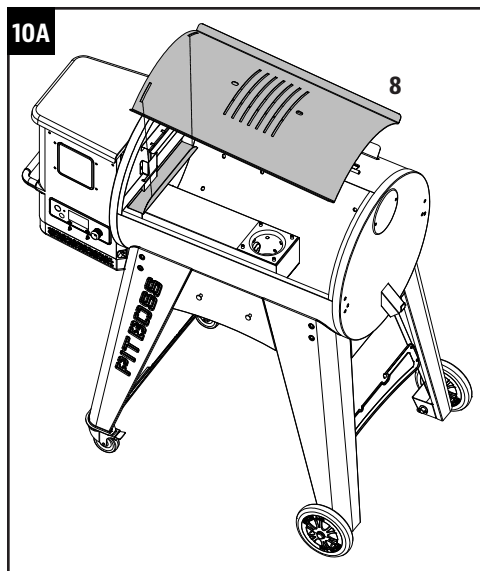
Montering:

- Indfør grillågets hovedplade i hovedtønden. Lad lågets hovedplade hvile på den indbyggede afsats (indvendigt i højre side) i hovedtønden, hvor fedtstoffet føres mod fedtspandens tud. Skub hele stykket til venstre, så de to riller på grillågets hovedplade passer ind i den afrundede afsats over brændekarret. Den vil vippe en smule nedad. Bemærk illustration 10A.

VIGTIGT: Hvis hovedpladen sidder i bunden af tønden, er den ikke monteret korrekt. Forkert montering kan resultere i beskadigelse af hovedtønden.

- Placér grillågets skyderplade oven på hovedpladen, så den dækker ventilationsåbningerne. Sørg for, at den forhøjede tap er til venstre, og at de to stifter på bunden af grillågets skyderplade passer til hullerne på hovedpladen, så du let kan justere mellem direkte eller indirekte varme under madlavningen. Begge dele af grillåget er belagt med et tyndt olielag for at undgå, at det rustner under fragten. Bemærk illustration 10B.

BEMÆRK: For at bevare stegeristenes egenskaber til at brune og grille er det nødvendigt at efterse og vedligeholde dem regelmæssigt. Se brugervejledningen.



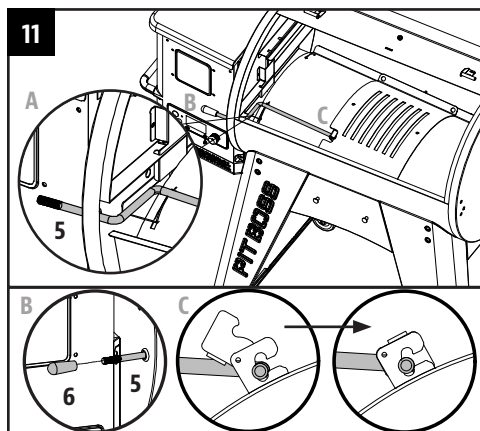
11. MONTERING AF JUSTERINGSSTANG TIL GRILLÅG

Krævede dele:

- 1 x Justeringsstang til grillåge (#5)
- 1 x Håndtag til justeringsstang til grillåge (#6)

Montering:

- Indfør justeringsstangen til grillåget i hullet på venstre side af hovedtønden. Fastgør håndtaget til justeringsstangen til grillåget på den ende af stangen, der er uden for tønden. Skub derefter den anden ende af justeringsstangen ind i låsetappen på grillågets skyderplade, så du kan tilgå og justere skyderpladen på hovedpladen.



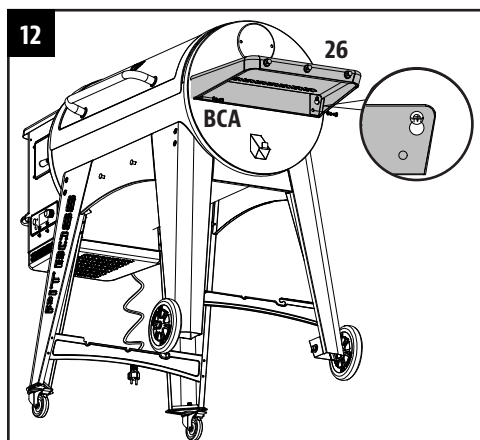
12. MONTERING AF SIDEHYLDE

Krævede dele:

- 1 x Højre sidebord (#26)
- 2 x Skrue (#A)
- 2 x Spændeskive (#B)
- 2 x Fjederskive (#C)

Montering:

- Løsn de to formonterede skruer på siden af hovedtønden. Slut først sidehylden til skrueene, og skru derefter de to forløsnede skruer på plads.
- Fastgør sidehylden til hovedtøndens sidepanel nedefra ved hjælp af to



skruer, spændeskiver og fjederskiver.

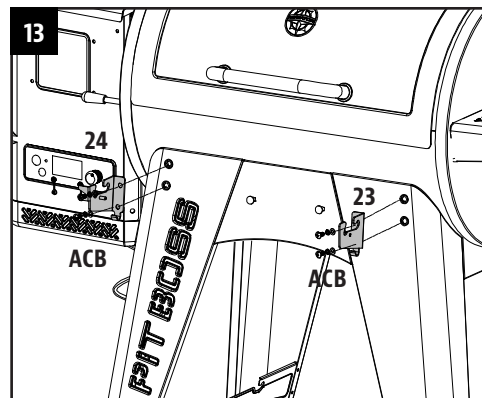
13. FASTGØRELSE AF BESLAG TIL FORRESTE HYLDE

Krævede dele:

- 1 x Beslag til forreste hylde (højre) (#23)
- 1 x Beslag til forreste hylde (venstre) (#24)
- 4 x Skrue (#A)
- 4 x Spændeskive (#B)
- 4 x Fjederskive (#C)

Montering:

- Fastgør beslagene til den forreste hylde til de forreste støtteben ved hjælp af to skruer, spændeskiver og fjederskiver.



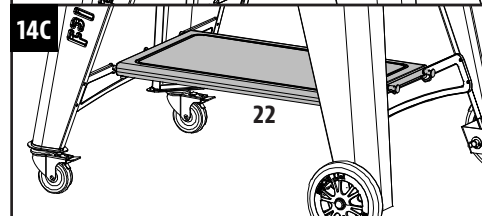
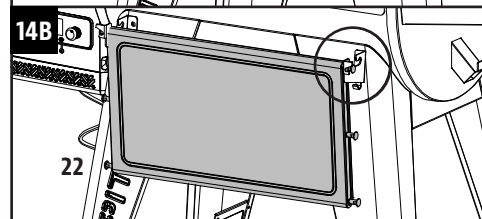
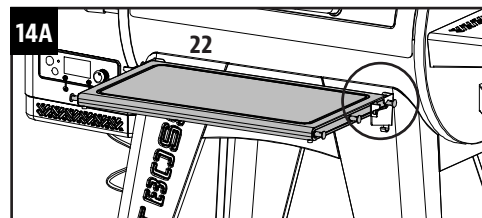
14. MONTERING AF FORRESTE HYLDE

Krævede dele:

- 1 x Forreste hylde (#22)

Montering:

- Placér den forreste hylde på beslagene. Bemærk illustration 14A, hvor den forreste hylde er slået ned.
- Bemærk illustration 14B, hvor den forreste hylde er slået op.
- Den forreste hylde kan også placeres på de nederste støtteplader og bruges som underhylde. Bemærk illustration 14C.



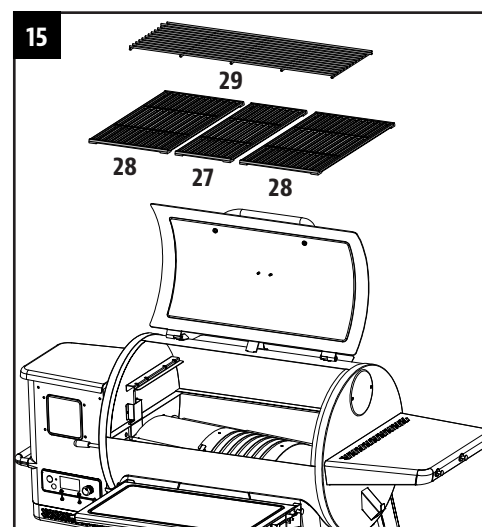
15. MONTERING AF GRILLENS TILBEREDELSESKOMPONENTER

Krævede dele:

- 1 x Stegerist A (#27)
- 2 x Stegerist B (#28)
- 1 x Opvarmningsstativ (#29)

Montering:

- Placér stegeristene ved siden af hinanden på ristafsatsen inde i hovedtønden.
- Placér det øverste stegerstativ på den øverste afsats inde i hovedtønden. Opvarmningsstativet fastlåses.



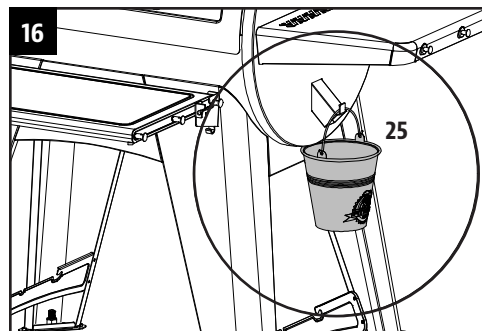
16. MONTERING AF FEDTSPAND

Krævede dele:

1 x Fedtspand (#25)

Montering:

- Placer fedtspanden på tudens krog på enden af hovedtønden. Sørg for at spanden hænger lige, så fedtet ikke hældes ud af den.
- Enheden er nu færdigmonteret.



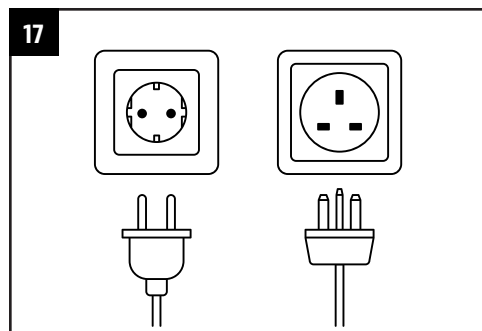
17. TILSLUTNING TIL EN STRØMKILDE

BEMÆRK: Før du tilslutter din Pit Boss® til en stikkontakt, skal du sikre, at temperaturstyringsknappen er indstillet til positionen OFF (Sluk).

- *STANDARDEFFEKT*
Driften af denne enhed kræver 220-240 V, 50 Hz, 250 W. Den bruger et jordforbundet stik.

VIGTIGT: Kobl enheden fra strømkilden, når den ikke er i brug.

VIGTIGT: Se brugervejledningen for yderligere betjeningsvejledning.





TEKIJÄNOIKEUKSIA KOSKEVA HUOMAUTUS

Copyright 2021. Kaikki oikeudet pidätetään. Tämän manuaalin mitään osaa ei saa kopioida, välittää eteenpäin, muuntaa tai tallentaa hakujärjestelmään missään muodossa tai millään tavoin ilman nimenomaista kirjallista lupaa, jonka on myöntänyt

Dansons

3411 North 5th Avenue, Suite 500, Phoenix, AZ, USA 85013
sales@pitboss-grills.com | service@pitboss-grills.com
www.pitboss-grills.com

Asiakaspalvelu

maanantaista sunnuntaihin klo 04.00–20.00 PST (EN/FR/ES)
Maksuton Yhdysvaltain alueella: +1-877-303-3134,
Faksi: +1-877-303-3135

SISÄLLYSLUETTELO

Osat ja tekniset tiedot.....	62
Kokoamisen valmistelu.....	64
Kokoamisohjeet	
Jalkojen kiinnittäminen tukijalkoihin.....	64
Tukilevyjen ja kääntöpyörien kiinnittäminen.....	65
Tukilevyjen ja pyörien kiinnittäminen.....	65
Tukilevyn kiinnittäminen tukijalkoihin pyöriä varten	66
Tukilevyn kiinnittäminen tukijalkoihin kääntöpyöriä varten	66
Päärummun kiinnittäminen koriin	66
Tukilevyjen kiinnittäminen grilliin	67
Kannen pidikkeen asentaminen	67
Kannen kahvan asentaminen	67
Liekkiparilan osien asentaminen	68
Liekkiparilan säätöpalkin asentaminen	68
Sivuhyllyn asentaminen	68
Etuhyllyn pidikkeiden kiinnittäminen.....	69
Etuhyllyn asentaminen.....	69
Grillin osien asentaminen.....	69
Rasva-astian asentaminen	70
Virtalähteeseen liittäminen.....	70

OSAT JA TEKNISET TIEDOT

Osan numero	Kuvaus
1	Kannen pidike (x1)
2	Kannen kahva (x1)
3	Kannen kahvan tiiviste (x2)
4	Päärumpu / Pellettisäiliökokonaisuus (x1)
5	Liekkiparilan säätöpalkki (x1)
6	Liekkiparilan säätöpalkin kahva (x1)
7	Liekkiparilan säädin (x1)
8	Liekkiparilan päälevy (x1)
9	Vasen etujalka (x1)
10	Vasen takajalka (x1)
11	Oikea etujalka (x1)
12	Oikea takajalka (x1)
13	Vasemman etujalan alaosa (x1)
14	Vasemman takajalan alaosa (x1)
15	Kääntöpyörä jarrulla (x2)
16	Pyörä (x2)
17	Oikea alatukilevy (x1)
18	Vasen alatukilevy (x1)
19	Lyhyt tukilevy (x2)
20	Pitkä tukilevy eteen (x1)
21	Pitkä tukilevy taakse (x1)
22	Etuhylly (x1)
23	Etuhyllyn oikea pidike (x1)
24	Etuhyllyn vasen pidike (x1)
25	Rasva-astia (x1)
26	Oikea sivupöytä (x1)
27	Ruuanvalmistusritilä A (x1)
28	Ruuanvalmistusritilä B (x2)
29	Lämmitysritilä (x1)
30	Paistomittari (x1)

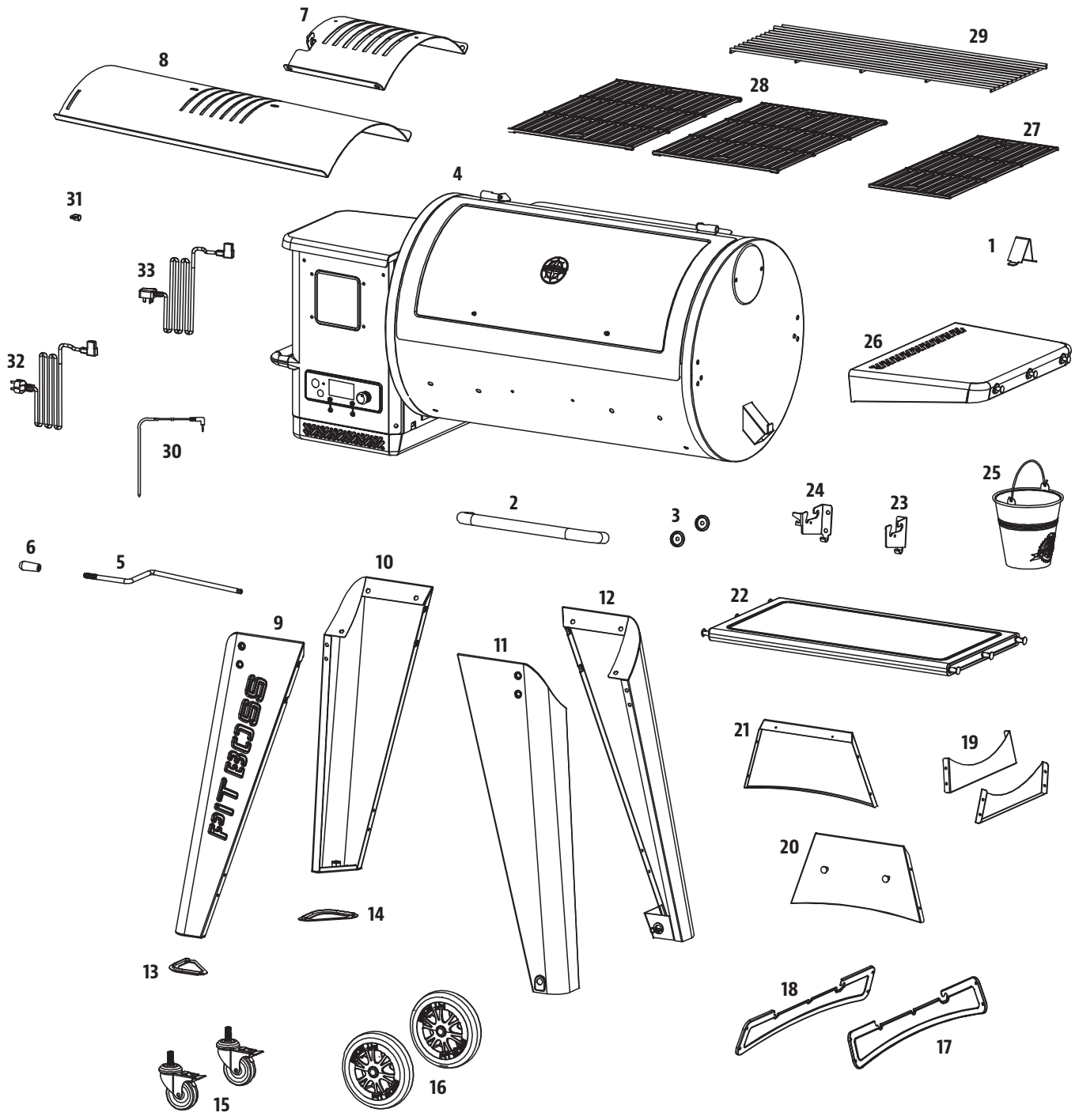
Osan numero	Kuvaus
31	Virtajohton nipistin (x1)
32	Virtajohto – F-pistoke (x1)
33	Virtajohto – G-pistoke (x1)
A	Ruuvi (x18)
B	Aluslevy (x18)
C	Lukkolevy (x18)
D	Ruuvi (x30)
E	Ruuvi (x4)
F	Pyörän akselitappi (x2)
G	Pyörän sokkanaula (x2)
H	Pyörän aluslevy (x2)

HUOMAUTUS: Jatkuvasta tuotekehityksestä johtuen osat voivat muuttua ilman etukäteisvaroitusta. Ota yhteyttä asiakaspalveluumme, jos osia puuttuu kokoamisvaiheessa.

PB - SÄHKÖISET VAATIMUKSET
220-240 V, 50 Hz, 250 W, MAADOITETTU PISTOKE

Kuvakaavio on seuraavalla sivulla.

MALLI	YKSIKKÖ KOOTTUNA (LxKxS)	YKSIKÖN PAINO	RUUANVALMISTUSALUE	LÄMPÖTILA-ALUE	DIGITAALISET OMINAISUUDET
PB PB850G	1472mm x 1195mm x 940mm / 57,9" x 47" x 37"	74,5 kg / 164,24 lb	Pääalue - 3825,8 cm ² / 593 sq. in. Ylähylly - 1845,2 cm ² / 286 sq. in. YHTEENSÄ - 5,671 cm² / 879 sq. in.	82-260°C / 180-500°F	Kymmenen lämpötilan esiasetusta, käynnistysprosessi, sähköinen sytytin



KOKOAMISEN VALMISTELU

Osia on kaikkialla kuljetuslaatikossa, myös grillin alla. Tarkista grillin, osat ja laitteen kuplapakkaus, kun olet poistanut suojaavan kuljetuslaatikon. Poista kaikki paketointimateriaalit grillin sisältä ja ulkoa ennen kokoamista, ja tutki ja tarkista kaikki osat vertaamalla niitä osaluetteloon. Jos jokin osa puuttuu tai on vahingoittunut, älä yritä koota laitetta. Takuu ei kata kuljetusvahinkoja. Ota yhteyttä Pit Boss -asiakaspalveluun koskien osia: avoimna maanantaista sunnuntaihin klo 04.00 - 20.00 PST (EN/FR/ES).

service@pitboss-grills.com | Maksuton puhelinnumero Yhdysvaltain alueella: +1-877-303-3134

Maksuton faksinumero Yhdysvaltain alueella: +1-877-303-3135

TÄRKEÄÄ: Tämän laitteen asennusta helpottaa, jos sen tekee kaksi henkilöä, mutta se ei ole välttämätöntä.

Kokoamisessa tarvittavat työkalut: ruuvitaltta ja vesivaaka. *Työkalut eivät sisälly lähetykseen.*



KOKOAMISOHJEET

TÄRKEÄÄ: Suosittelemme, että luet kunkin vaiheen kokonaan ennen kokoamisvaiheen aloittamista. Älä kiristä ruuveja loppuun asti ennen kuin kaikki kyseiseen vaiheeseen kuuluvat ruuvit on asennettu. Helayhdistelmässä, jossa on lukkolaatta ja aluslevy tulee asentaa siten, että lukkolaatta on lähinnä ruuvin päätä.

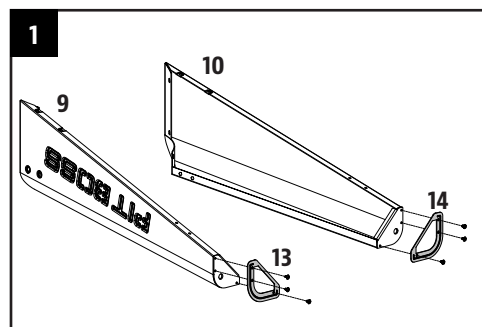
1. JALKOJEN KIINNITTÄMINEN TUKIJALKOIHIN

Tarvittavat osat:

- 1 x Vasen etujalka (#9)
- 1 x Vasen takajalka (#10)
- 1 x Vasemman etujalan alaosa (#13)
- 1 x Vasemman takajalan alaosa (#14)
- 6 x Ruuvi (#D)

Asennus:

- Käytä kolmea ruuvia kiinnittääksesi vasemman etujalan alaosan vasempaan etujalkaan, jotta kääntöpyörä lukittuu paikalleen. Jatka vasemman takajalan ja vasemman takajalan alaosan asentamiseen kääntöpyörän lukitsemiseksi paikalleen.



2. TUKILEVYJEN JA KÄÄNTÖPYÖRIEN KIINNITTÄMINEN

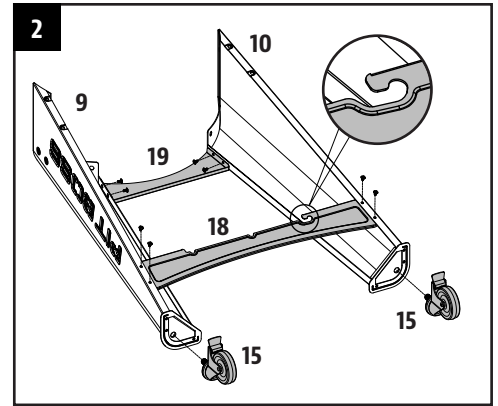
Tarvittavat osat:

- 1 x Vasen etujalka (#9)
- 1 x Vasen takajalka (#10)
- 1 x Vasen alatukilevy (#18)
- 1 x Lyhyt tukilevy (#19)
- 2 x Kääntöpyörä jarrulla (#15)
- 8 x Ruuvi (#D)

Asennus:

- Asenna yksi lyhyt tukilevy yksikön sivuun etummaisten ja takimmaisten tukijalkojen väliin neljällä ruuvilla. Toista sama asennusvaihe kiinnittääksesi alemman tukilevyn samoihin jalkoihin.
- Kiinnitä lukittuvat kääntöpyörät tukijalkojen pohjaan kiristämällä ne reikiin käsin. Varmista, että lukittuva kääntöpyörä on tukevasti paikallaan tarkistamalla, ettei se voi kääntyä enempää.

HUOMAUTUS: Varmista, että alimmainen tukilevy osoittaa ylöspäin oikeassa suunnassa.



3. TUKILEVYJEN JA PYÖRIEN KIINNITTÄMINEN

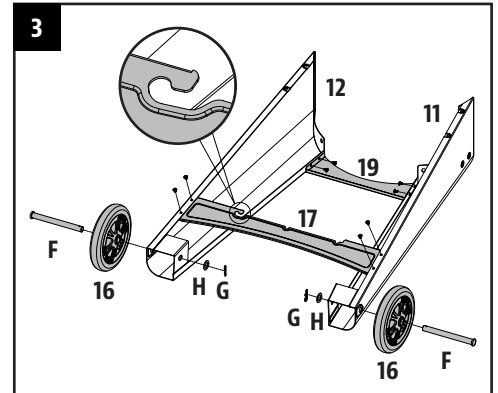
Tarvittavat osat:

- 1 x Oikea etujalka (#11)
- 1 x Oikea takajalka (#12)
- 1 x Oikea alatukilevy (#17)
- 1 x Lyhyt tukilevy (#19)
- 2 x Pyörä (#16)
- 8 x Ruuvi (#D)
- 2 x Pyörän akselitappi (#F)
- 2 x Pyörän sokkanaula (#G)
- 2 x Pyörän aluslevy (#H)

Asennus:

- Asenna yksi lyhyt tukilevy yksikön sivuun etummaisten ja takimmaisten tukijalkojen väliin neljällä ruuvilla. Toista sama asennusvaihe kiinnittääksesi alemman tukilevyn samoihin jalkoihin.
- Liitä iso pyörä tukijalkaan työntämällä pyörän akselitappi pyörän tukijalassa olevan reiän läpi. Kiinnitä lopuksi pyörän sokkanaulalla. Asenna toinen pyörä samalle sivulle samalla tavalla.

HUOMAUTUS: Varmista, että alimmainen tukilevy osoittaa ylöspäin oikeassa suunnassa.



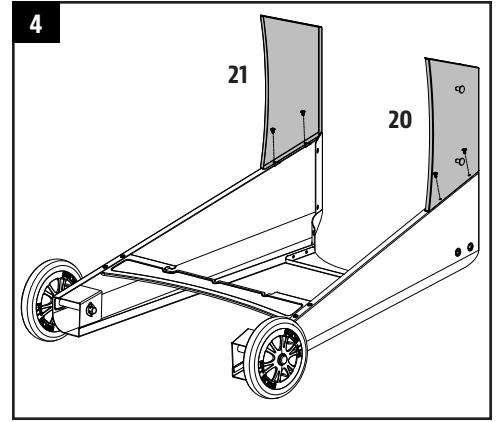
4. TUKILEVYN KIINNITTÄMINEN TUKIJALKOIHIN PYÖRIÄ VARTEN

Tarvittavat osat:

- 1 x Pitkä tukilevy eteen (#20)
- 1 x Pitkä tukilevy taakse (#21)
- 4 x Ruuvi (#D)

Asennus:

- Kiinnitä yksi pitkä tukilevy pyörän tukijalkaan kahdella ruuvilla. Varmista, että tukilevyn tasainen puoli osoittaa ulospäin. Toista sama asennusvaihe kiinnittäaksesi toisen pitkän tukilevyn toiseen tukijalkaan.



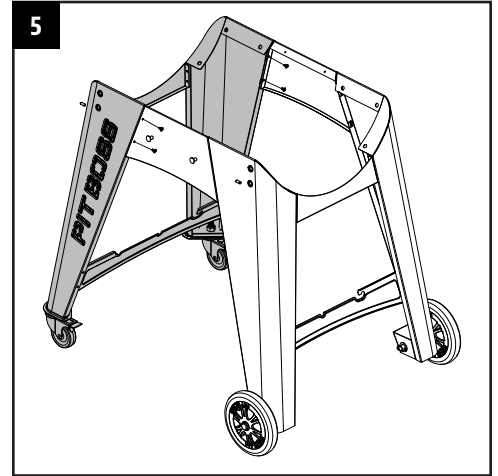
5. TUKILEVYN KIINNITTÄMINEN TUKIJALKOIHIN KÄÄNTÖPYÖRIÄ VARTEN

Tarvittavat osat:

- 4 x Ruuvi (#D)

Asennus:

- Kiinnitä seuraavaksi pitkät tukilevyt kääntöpyörät sisältäviin tukijalkoihin. Kiinnitä käyttämällä kahta ruuvia molemmille levyille.



6. PÄÄRUMMUN KIINNITTÄMINEN KORIIIN

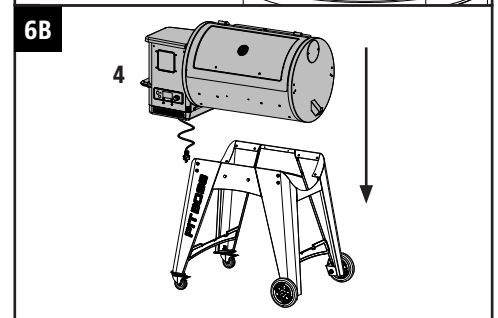
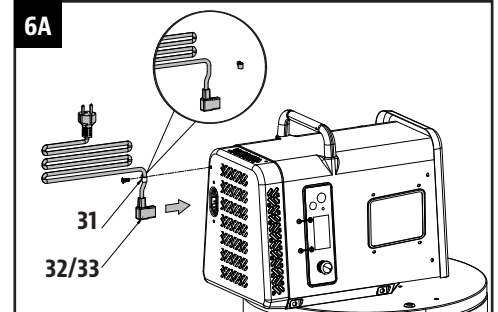
Tarvittavat osat:

- 1 x Päärumpu / Pellettisäiliökokonaisuus (#4)
- 12 x Ruuvi (#A)
- 12 x Aluslevy (#B)
- 12 x Lukkolevy (#C)
- 1 x Virtajohto (#32 tai #33)
- 1 x Kaapelikiinnikkeet (#31)

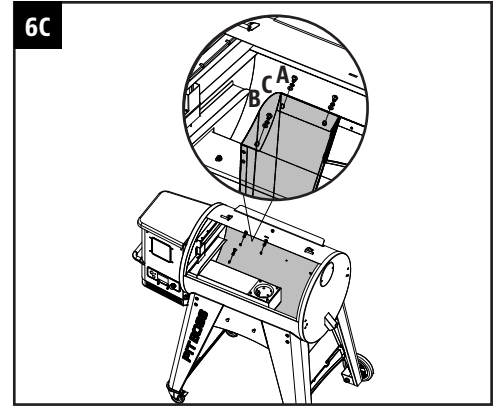
Asennus:

HUOMAUTUS: Mukana toimitetaan kaksi virtajohtoa. Valitse alueellasi tarvittava virtajohto.

- Kiinnitä virtajohto pellettisäiliön pohjassa olevaan syvennykseen. Kiinnitä virtajohdon pidike pellettisäiliön pohjaan aiemmin asennetulla ruuvilla. Katso kuva 6A.
- Valmistele päärumpu kiinnitettäväksi koriin. Nosta kori varovaisesti yläasentoon siten, että renkaat ovat alhaalla. Aseta kori päärummun viereen siten, että molemmat osoittavat samaan suuntaan. Lukitse korissa olevat kääntöpyörät. Valmistaudu nostamaan päärumpu korin päälle kahden henkilön voimin. Nostakaa päärumpu varovaisesti ylös ja laskekaa se hitaasti korin päälle siten, että toinen henkilö nostaa pellettisäiliön puolelta ja toinen rummun toiselta puolelta. Katso kuva 6B.



- Avaa seuraavaksi päärummun kansi. Säädä asentoa tarvittaessa siten, että päärummun ruuvien reiät osuvat koriin. Kun päärumpu on paikallaan, kiinnitä jokainen jalka siihen kolmen ruuvin, aluslevyn ja lukkolevyn avulla. Katso kuva 6C.



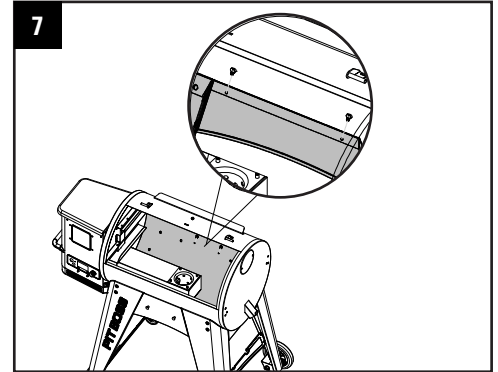
7. TUKILEVYJEN KIINNITTÄMINEN GRILLIIN

Tarvittavat osat:

4 x Ruuvi (#E)

Asennus:

- Kiinnitä pitkät tukilevyt päärumpuun kahdella ruuvilla.



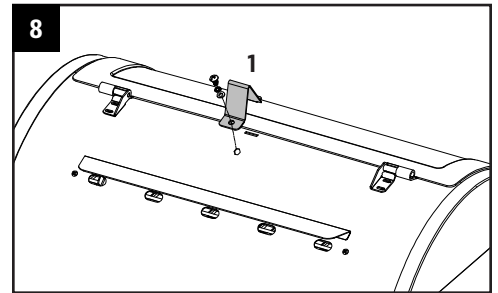
8. KANNEN PIDIKKEEN ASENTAMINEN

Tarvittavat osat:

1 x Kannen pidike (#1)

Asennus:

- Kiinnitä kannen pidike päärummun päälle kyseiseen kohtaan esiasennetun ruuvin avulla.



9. KANNEN KAHVAN ASENTAMINEN

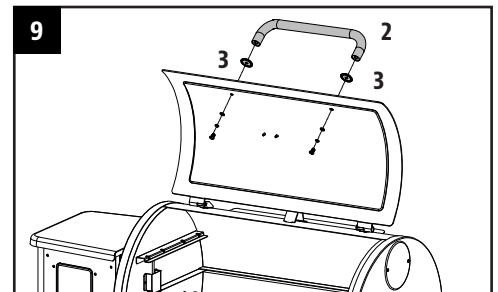
Tarvittavat osat:

1 x Kannen kahva (#2)

2 x Kannen kahvan tiiviste (#3)

Asennus:

- Irrota kannen kahvasta esiasennetut ruuvit. Aseta rummun kannen sisäpuolelta käsin yksi ruuvi niin, että se työntyy esiin ulkopuolelle. Lisää ruuviin tiiviste. Kiristä ruuvi sitten käsin (sisäpuolelta) kannen kahvaan. Toista sama toiselle puolelle.



10. LIEKKIPARILAN OSIEN ASENTAMINEN

Tarvittavat osat:

- 1 x Liekkiparilan päälevy (#8)
- 1 x Liekkiparilan säädin (#7)

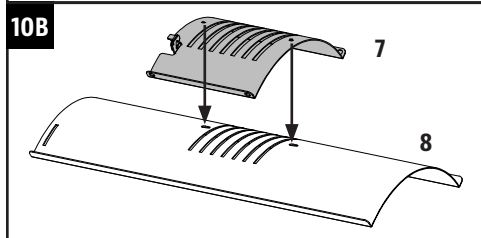
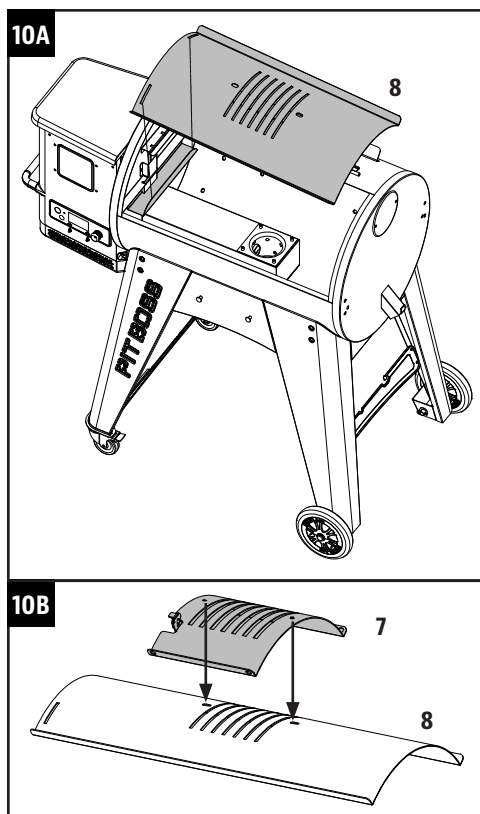
Asennus:

- Aseta liekkiparilan päälevy grillin pääosaan. Aseta liekkiparilan päälevy grillin pääosan oikealle puolelle rakennetun reunan päälle. Tämä reuna ohjaa rasvan rasva-astian nokkaa kohti. Liu'uta koko osa vasemmalle, jolloin liekkiparilan päälevyissä olevat kaksi aukkoa sopivat paloastian yläpuolella olevaan pyöristettyyn kielekkeeseen. Se asettuu paikalleen aavistukseen alaspäin kallistuvassa kulmassa. Katso kuva 10A.

TÄRKEÄÄ: Jos päälevy on rummun pohjalla, se on asennettu väärin. Virheellinen asennus saattaa vaurioittaa grillin päärumpua.

- Aseta liekkiparilan säädin liekkiparilan päälevyn päälle siten, että se peittää lovetut reiät. Varmista, että ulkoneuva läppä on vasemmalla ja että liekkiparilan säätimessä olevat kaksi tappia osuvat liekkiparilan päälevyissä oleviin reikiin, jotta suoran tai epäsuoran liekin valinta on helppoa ruuanvalmistuksen aikana. Molemmat liekkiparilan osat on käsitelty kevyesti öljyllä ruostumisen estämiseksi kuljetuksen aikana. Katso kuva 10B.

HUOMAUTUS: Ruuanvalmistusritilöiden ruskistus- ja grillausominaisuuksien ylläpitämiseksi tarvitaan säännöllistä huoltoa ja ylläpitoa. Katso omistajan käyttöopas.



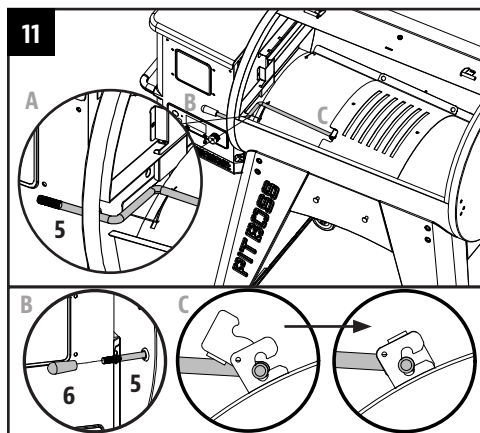
11. LIEKKIPARILAN SÄÄTÖPALKIN ASENTAMINEN

Tarvittavat osat:

- 1 x Liekkiparilan säätöpalkki (#5)
- 1 x Liekkiparilan säätöpalkin kahva (#6)

Asennus:

- Aseta liekkiparilan säätöpalkki päärummun vasemmalla puolella olevan aukon läpi. Lisää liekkiparilan säätöpalkin kahva rummun ulkopuolella olevaan päähän. Liu'uta seuraavaksi säätöpalkin epätasainen pää liekkiparilan säätimen lukitusläppään, jotta pääset joustavasti käsiksi päälevyn liekkiparilan säätimeen.



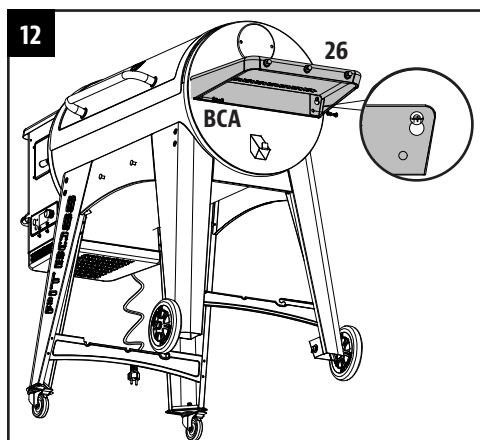
12. SIVUHYLLYN ASENTAMINEN

Tarvittavat osat:

- 1 x Oikea sivupöytä (#26)
- 2 x Ruuvi (#A)
- 2 x Aluslevy (#B)
- 2 x Lukkolevy (#C)

Asennus:

- Irrota kaksi päärummun sivuun esiasennettua ruuvia. Kiinnitä ensin sivuhylly ruuveihin, ja kiristä sitten kaksi irrotettua ruuvia paikalleen.
- Kiinnitä sivuhylly päärummun sivupaneeliin alta käsin kahden ruuvin, aluslevyn ja lukkolevyn avulla.



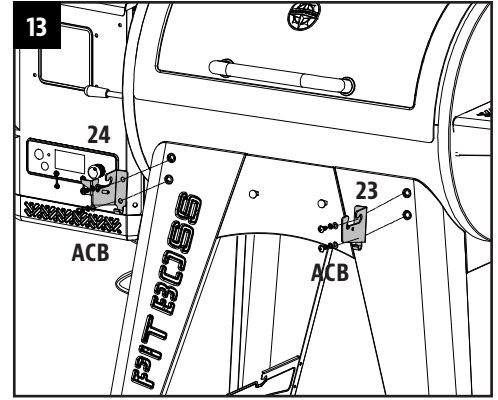
13. ETUHYLLYN PIDIKKEIDEN KIINNITTÄMINEN

Tarvittavat osat:

- 1 x Etuhyllyn oikea pidike (#23)
- 1 x Etuhyllyn vasen pidike (#24)
- 4 x Ruuvi (#A)
- 4 x Aluslevy (#B)
- 4 x Lukkolevy (#C)

Asennus:

- Kiinnitä etuhyllyn tukipidikkeet etummaiseen tukijalkaan kahden ruuvin, aluslevyn ja lukkolevyn avulla.



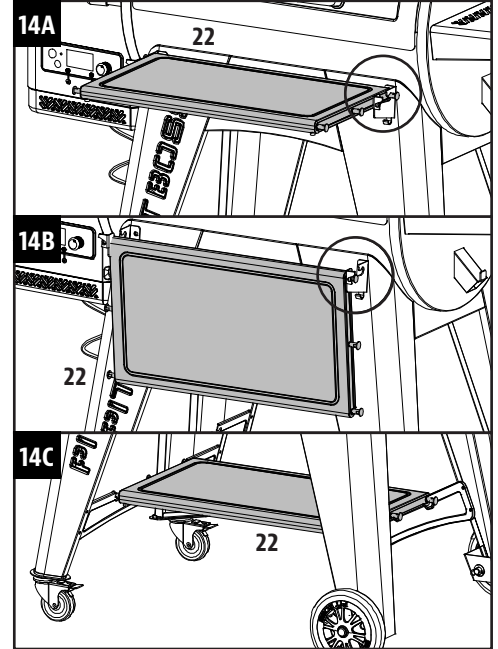
14. ETUHYLLYN ASENTAMINEN

Tarvittavat osat:

- 1 x Etuhyllä (#22)

Asennus:

- Aseta etuhyllä sen tukipidikkeiden päälle. Katso kuva 14A, jossa etuhyllä on taitettu esiin.
- Katso kuva 14B, jossa etuhyllä on taitettu pois tieltä.
- Etuhyllä voidaan kiinnittää myös alimmaisten tukilevyjen päälle, jolloin sitä voi käyttää alahyllynä. Katso kuva 14C.



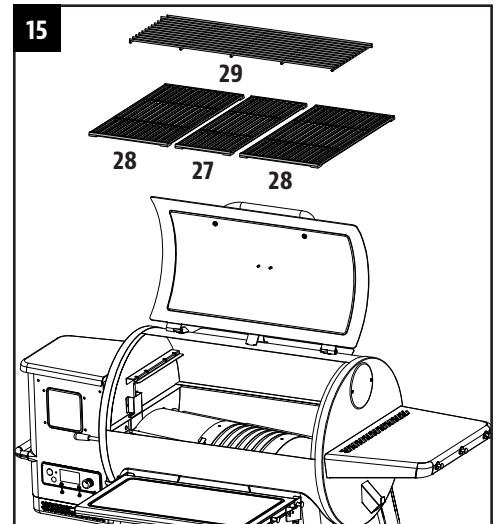
15. GRILLIN OSIEN ASENTAMINEN

Tarvittavat osat:

- 1 x Ruuanvalmistusritilä A (#27)
- 2 x Ruuanvalmistusritilä B (#28)
- 1 x Lämmitysritilä (#29)

Asennus:

- Aseta ruuanvalmistusritilät vierekkäin grillin pääosan sisällä olevien ritiläreunojen päälle.
- Aseta ylempi ruuanvalmistusteline grillin pääosan sisällä olevan yläreunan päälle. Lämmitysritilä lukittuu paikalleen.



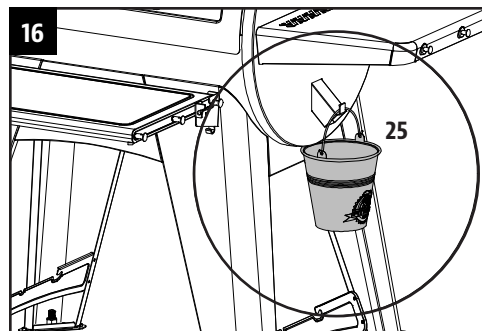
16. RASVA-ASTIAN ASENTAMINEN

Tarvittavat osat:

1 x Rasva-astia (#25)

Asennus:

- Aseta rasva-astia päärummun päässä olevaan hakaan. Varmista, että se on suorassa rasvan läikkymisen estämiseksi.
- Laitteen kokoaminen on nyt valmis.



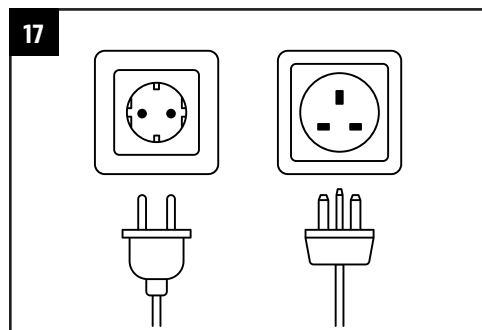
17. VIRTALÄHTEESEEN LIITTÄMINEN

HUOMAUTUS: Ennen kuin liität Pit Boss® -laitteesi sähköpistorasiaan, varmista, että lämmönsäädin on OFF-asennossa.

- *STANDARDIPISTORASIA*
Tämä laite vaatii 220–240 V, 50 Hz, 250 W virran. Siinä on oltava maadoitettu pistoke.

TÄRKEÄÄ: Irrota laite virtalähteestä, kun se ei ole käytössä.

TÄRKEÄÄ: Katso käyttöohjeet omistajan käyttöoppaasta.





MERKNAD OM OPPHAVSRETT

Copyright 2021. Med enerett. Ingen deler av denne håndboken kan kopieres, overføres, transkriberes eller oppbevares i et hentesystem i noen som helst form eller på noen måte uten uttrykkelig skriftlig tillatelse fra

Dansons

3411 North 5th Avenue, Suite 500, Phoenix, AZ, USA 85013
sales@pitboss-grills.com | service@pitboss-grills.com
www.pitboss-grills.com

Kundeservice

Mandag til og med søndag 04.00–20.00 PST (EN/FR/ES)

Avgiftsfritt telefonnummer: 1-877-303-3134,

Avgiftsfritt faksnummer: 1-877-303-3135

INNHOLDSFORTEGNELSE

Deler og spesifikasjoner	72
Klargjøring for montering.....	74
Monteringsinstruksjoner	
Feste føtter til støttebeina	74
Feste støtteplater og styrehjul	74
Feste støtteplater og hjul.....	75
Feste støtteplate til støttebein for hjul.....	75
Feste støtteplate til støttebein for hjul.....	75
Montere hovedsylindren til vognen.....	76
Feste støtteplater til grillen.....	76
Montere lokkstopperen	76
Montere lokkhåndtaket.....	77
Montere komponentene for flammegrillen.....	77
Montere justeringsstang for flammegrillen	77
Montere sidehyllen.....	78
Feste braketter for fronthyllen.....	78
Montere fronthyllen.....	78
Montere tilberedningskomponentene for grillen	79
Montere fettbøtte	79
Koble til en strømkilde.....	79

DELER OG SPESIFIKASJONER

Delenr	Beskrivelse
1	Lokkstopper (x1)
2	Lokkhåndtak (x1)
3	Skruerammer for lokkhåndtak (x2)
4	Hovedsylinder/holdermontering (x1)
5	Justeringsstang for flammegrillen (x1)
6	Håndtak til justeringsstang for flammegrillen (x1)
7	Skyveplate for flammegrill (x1)
8	Hovedplate for flammegrill (x1)
9	Venstre bein foran (x1)
10	Venstre bein bak (x1)
11	Høyre bein foran (x1)
12	Høyre bein bak (x1)
13	Justeringsstykke venstre bein foran (x1)
14	Justeringsstykke venstre bein bak (x1)
15	Dreielig hjul med brems (x2)
16	Hjul (x2)
17	Høyre støtteplate nede (x1)
18	Venstre støtteplate nede (x1)
19	Kort støtteplate (x2)
20	Fremre lang støtteplate (x1)
21	Bakre lang støtteplate (x1)
22	Fronthylle (x1)
23	Høyre brakett for fronthylle (x1)
24	Venstre brakett for fronthylle (x1)
25	Fettbøtte (x1)
26	Høyre sidebord (x1)
27	Stekerist A (x1)
28	Stekerist B (x2)
29	Varmehylle (x1)
30	Steketermometer (x1)

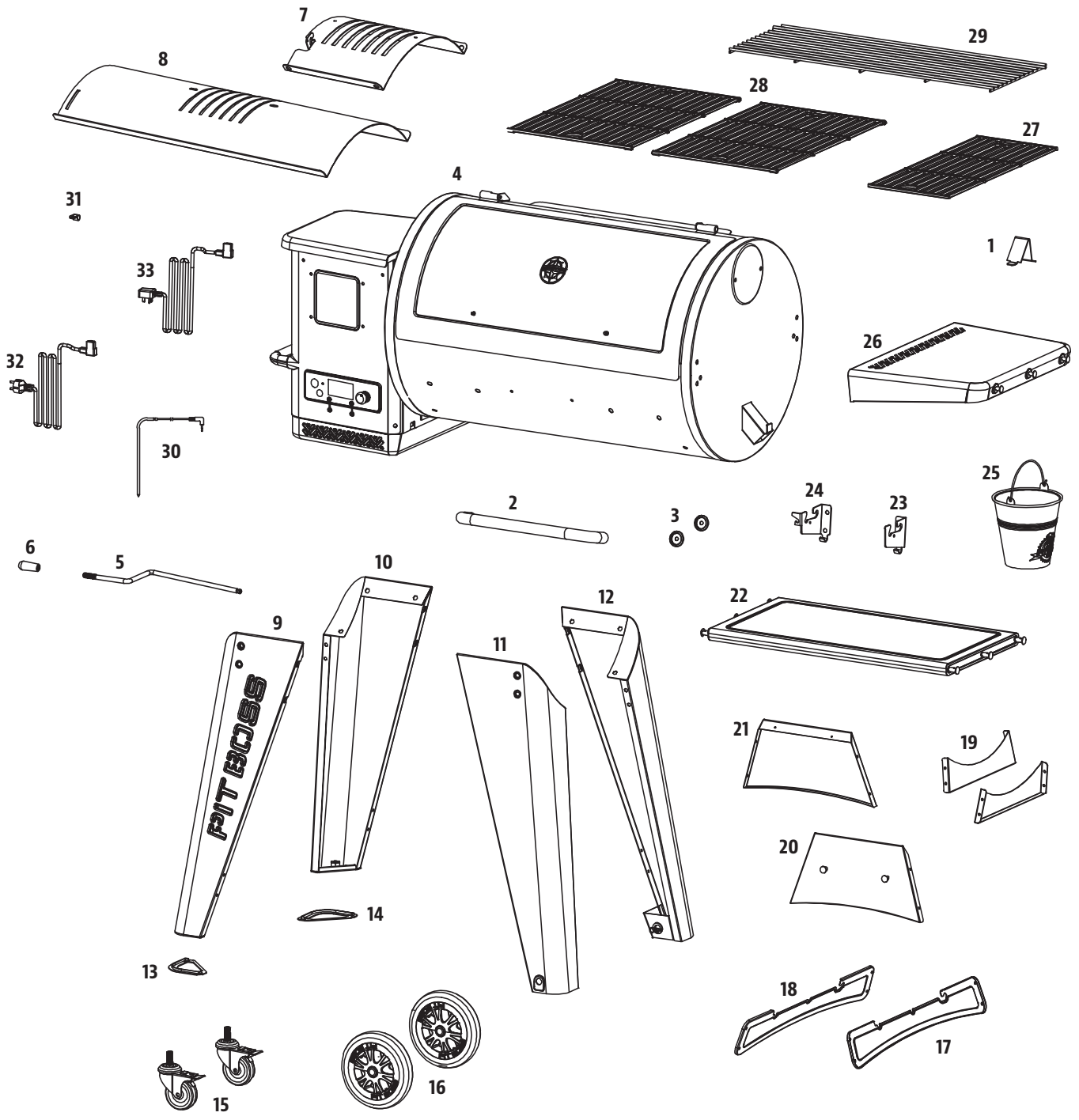
Delenr	Beskrivelse
31	Strømledningsklips (x1)
32	Strømledning – F-plugg (x1)
33	Strømledning – G-plugg (x1)
A	Skruer (x18)
B	Skiver (x18)
C	Låseskiver (x18)
D	Skruer (x30)
E	Skruer (x4)
F	Hjulakselpinner (x2)
G	Hjulsaks splinter (x2)
H	Hjulskiver (x2)

MERK: På grunn av kontinuerlig produktutvikling kan delene endres uten forvarsel. Kontakt kundeservice hvis deler mangler ved montering av enheten.

PB – ELEKTRISKE KRAV
220-240 V, 50 Hz, 250 W, JORDET PLUGG

Illustrasjonsdiagram på neste side.

MODELL	MONTERT ENHET (B x H x D)	ENHETSVEKT	TILBEREDNINGSSOMRÅDE	TEMP. OMRÅDE	DIGITALE FUNKSJONER
PB PB850G	1472mm x 1195mm x 940mm / 57,9" x 47" x 37"	74,5 kg / 164,24 pund	Hoved - 3825,8 cm ² / 593 kvadrattommer Øvre stativ - 1845,2 cm ² / 286 kvadrattommer TOTALT - 5671 cm² / 879 kvadrattommer	82-260°C / 180-500°F	Ti forhåndsinnstilte temperaturer, oppstarts- og avkjølingssykluser, elektrisk tenner



KLARGJØRING FOR MONTERING

Delene er plassert i hele forsendelsesesken, inkludert under grillen. Undersøk grillen, delene og plastpakken når du har tatt alt ut av den beskyttende forsendelsesesken. Fjern all emballasje fra inn- og utsiden av grillen før montering. Se deretter gjennom og undersøk alle delene ved å referere til delelisten. Hvis deler mangler eller er skadet, må du ikke prøve å montere enheten. Forsendelseskader er ikke dekket av garantien. Kontakt forhandleren eller Pit Boss® kundeservice for deler: mandag til og med søndag, 04.00–20.00 PST (EN/FR/ES).

service@pitboss-grills.com | Avgiftsfritt telefonnummer: 1-877-303-3134

Avgiftsfritt faksnummer: 1-877-303-3135

VIKTIG: For å forenkle montering og unngå personskade under monteringen, bør den utføres av to personer.

Nødvendige verktøy for montering: skrujern og vater. *Verktøy følger ikke med.*



MONTERINGSINSTRUKSJONER

VIKTIG: Du bør lese hvert enkelt trinn i sin helhet før du begynner montering etter instruksjonene. Ikke stram skruene helt før alle skruer for trinnet er montert. Enhetskombinasjoner som involverer en låseskive og skive, skal monteres med låseskiven nærmest skruhodet.

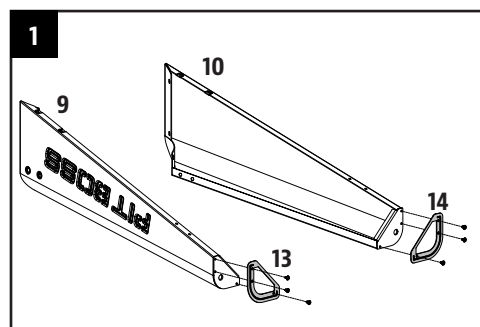
1. FESTE FØTTER TIL STØTTEBEINA

Nødvendige deler:

- 1 x Venstre bein foran (#9)
- 1 x Venstre bein bak (#10)
- 1 x Justeringsstykke venstre bein foran (#13)
- 1 x Justeringsstykke venstre bein bak (#14)
- 6 x Skruer (#D)

Montering:

- Bruk tre skruer for å feste venstre fremre beins trimdel til venstre fremre bein for låsehjul. Fortsett å installere det bakre venstre beinet for låsehjulet og trimdelen for bakre venstre bein.



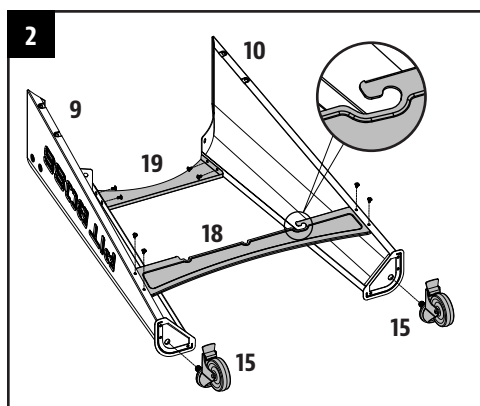
2. FESTE STØTTEPLATER OG STYREHJUL

Nødvendige deler:

- 1 x Venstre bein foran (#9)
- 1 x Venstre bein bak (#10)
- 1 x Venstre støtteplate nede (#18)
- 1 x Kort støtteplate (#19)
- 2 x Dreielig hjul med brems (#15)
- 8 x Skruer (#D)

Montering:

- Monter en kort støtteplate med fire skruer til siden av enheten, mellom fremre og bakre støttebein. Gjenta samme montering for å feste nedre støtteplate til de samme beina.
- Sett hvert låsehjul inn i bunnen av hvert støttehjul ved å håndstramme dem inn i hullet. Påse at låsehjulet er ført helt inn ved å sikre at det ikke kan roteres ytterligere.



MERK: Forsikre deg om at den nedre støtteplaten vender oppover i riktig retning.

3. FESTE STØTTEPLATER OG HJUL

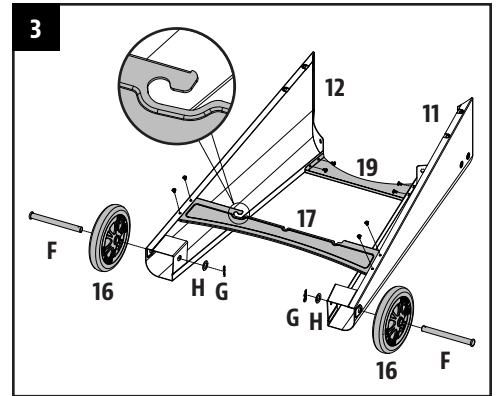
Nødvendige deler:

- 1 x Høyre bein foran (#11)
- 1 x Høyre bein bak (#12)
- 1 x Høyre støtteplate nede (#17)
- 1 x Kort støtteplate (#19)
- 2 x Hjul (#16)
- 8 x Skruer (#D)
- 2 x Hjulakselpinner (#F)
- 2 x Hjulaksespinter (#G)
- 2 x Hjulskiver (#H)

Montering:

- Monter en kort støtteplate med fire skruer til siden av enheten, mellom fremre og bakre støttebein. Gjenta samme montering for å feste nedre støtteplate til de samme beina.
- Fest det store hjulet til støttebeinet ved å sette inn hjulakselpinne gjennom hullet i hjulets støttebein, og fest til slutt med hjulaksespinter. Gjenta monteringen for det andre hjulet på samme side.

MERK: Forsikre deg om at den nedre støtteplaten vender oppover i riktig retning.



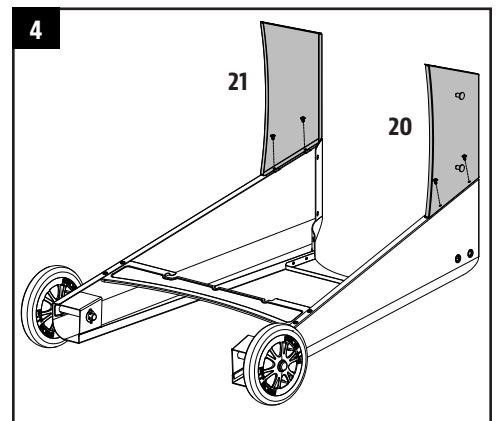
4. FESTE STØTTEPLATE TIL STØTTEBEIN FOR HJUL

Nødvendige deler:

- 1 x Fremre lang støtteplate (#20)
- 1 x Bakre lang støtteplate (#21)
- 4 x Skruer (#D)

Montering:

- Feste en lang støtteplate med to skruer til et støttebein for hjul. Pass på at den flate overflaten på støtteplaten vender utover. Gjenta samme montering for å feste den andre lange støtteplaten til det andre støttebeinet.



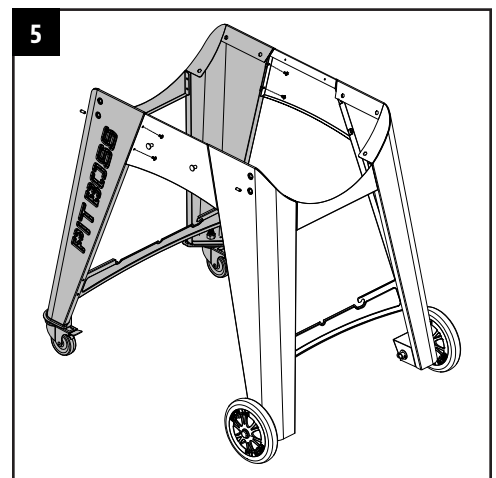
5. FESTE STØTTEPLATE TIL STØTTEBEIN FOR HJUL

Nødvendige deler:

- 4 x Skruer (#D)

Montering:

- Fest deretter de lange støtteplatene til støttebeina for hjulene. Fest med to skruer for hver plate.te.



6. MONTERE HOVEDSYLINDEREN TIL VOGNEN

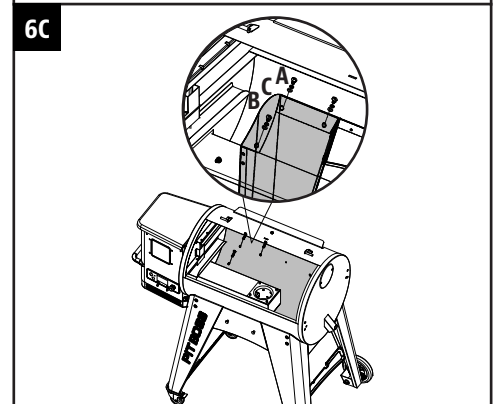
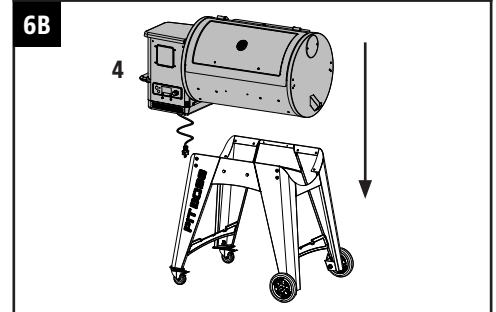
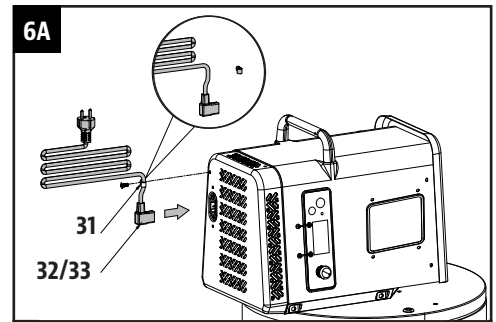
Nødvendige deler:

- 1 x Hovedsyylinder/beholdermontering (#4)
- 12 x Skruer (#A)
- 12 x Skiver (#B)
- 12 x Låseskiver (#C)
- 1 x Strømledning (#32 eller #33)
- 1 x Kabelklemmene (#31)

Montering:

MERK: Det følger med to strømledninger. Velg strømledningen som er nødvendig for din region.

- Plasser kabelklemmene på riktig strømledning. Sett strømledningen inn i hulrommet i bunnen av beholderen. Fest kabelklemmen til bunnen av beholderen med den tidligere installerte skruen. Se illustrasjon 6A.
- Klargjør hovedsyylinderen for montering på vognen. Løft grillen forsiktig til stående stilling med hjulene nederst. Plasser vognen ved siden av hovedsyylinderen med begge vendt i samme retning. Lås hjulene på vognen. Ved hjelp av en person til, klargjør for å løfte hovedsyylinderen på vognen. Mens en person løfter fra hoppersiden, og den andre løfter fra motsatt sylindrende, løft hovedsyylinderen forsiktig og senk den sakte ned på vognen. Se illustrasjon 6B.
- Åpne deretter lokket på hovedsyylinderen. Juster rotasjonen etter behov for å rette inn skruehullene til hovedsyylinderen mot vognen. Når plassert, fest hvert enkelt bein til hovedsyylinderen ved hjelp av tre skruer, skiver og låseskiver. Se illustrasjon 6C.



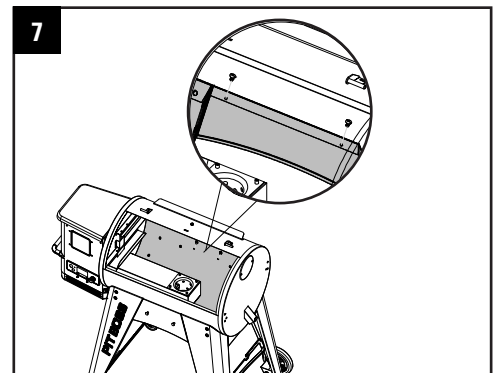
7. FESTE STØTTEPLATER TIL GRILLEN

Nødvendige deler:

- 4 x Skruer (#E)

Montering:

- Fest hver lange støtteplate til hovedsyylinderen ved hjelp av to skruer.



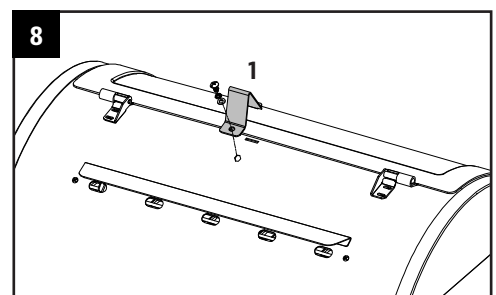
8. MONTERE LOKKSTOPPEREN

Nødvendige deler:

- 1 x Lokkstopper (#1)

Montering:

- Fest lokkstopperen til toppen av hovedsyylinderen ved hjelp av den forhåndsmonterte skruen på toppen av hovedsyylinderen.



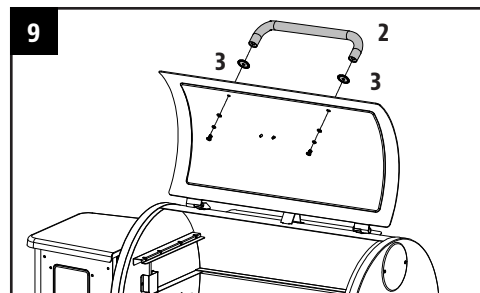
9. MONTERE LOKKHÅNDTAKET

Nødvendige deler:

- 1 x Lokkhåndtak (#2)
- 2 x Skruerammer for lokkhåndtak (#3)

Montering:

- Fjern de forhåndsmonterte skruene fra lokkhåndtaket. Skru inn én skruer fra innsiden av sylindreløkket som stikker ut på utsiden. Sett en dekselring på skruen. Stram deretter skruen (fra innsiden) på lokkhåndtaket for hånd. Gjenta for den andre siden.



10. MONTERE KOMPONENTENE FOR FLAMMEGRILLEN

Nødvendige deler:

- 1 x Hovedplate for flammegrill (#8)
- 1 x Skyveplate for flammegrill (#7)

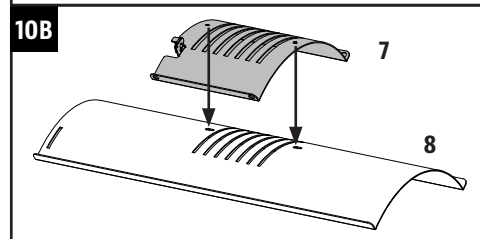
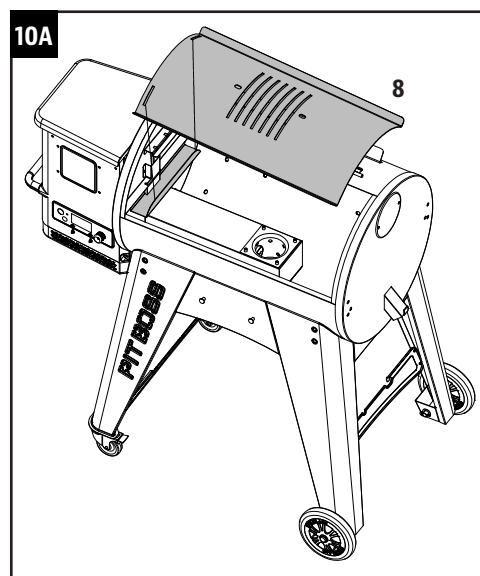
Montering:

- Sett inn hovedplaten for flammegrillen i hovedgrillen. La hovedplaten for flammegrillen hvile på den innebygde kanten (til høyre på innsiden) i hovedgrillen som fører fett mot tuten til fettbøtten. Skyv hele stykket til venstre side, og de to spaltene på flammegrillens hovedplate skal passe inn i den avrundede kanten over brennpotten. Den er festet i en lett nedovervendt vinkel. Se illustrasjon 10A.

VIKTIG: Hvis hovedplaten hviler på sylindrebasen, er den montert feil. Dårlig installasjon kan føre til skade på hovedsylindren for flammegrillen.

- Plasser skyveplaten for flammegrillen oppå hovedplaten for flammegrillen slik at den dekker sporåpningene. Forsikre deg om at den hevede tappen er til venstre og at de to pinnene i bunnen av flammegrillens skyveplate plasseres i hullene i flammegrillens hovedplate for enkelt å justere for direkte og indirekte flamme når du steker. Begge delene for flammegrillen er påført et tynt oljelag ved forsendelse for å unngå rust. Se illustrasjon 10B.

MERK: Jevnlig stell og vedlikehold er nødvendig for å opprettholde steke- og grilltelsen til stekeristene. Se brukerhåndboken.



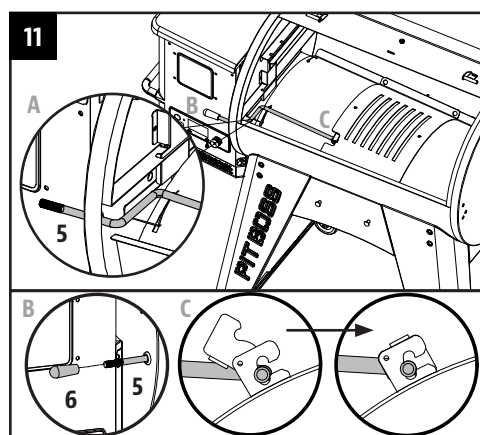
11. MONTERE JUSTERINGSSTANG FOR FLAMMEGRILLEN

Nødvendige deler:

- 1 x Justeringsstang for flammegrillen (#5)
- 1 x Håndtak til justeringsstang for flammegrillen (#6)

Montering:

- Sett inn justeringsstangen for flammegrillen gjennom åpningshullet på venstre side av hovedsylindren. Sett på håndtaket for flammegrillens justeringsstang på den enden som er utenfor sylindren. Skyv deretter enden av justeringsstangen med hakk inn i låseflisen på skyveplaten for flammegrillen slik at du får justerbar tilgang til flammegrillens skyveplate på hovedplaten.



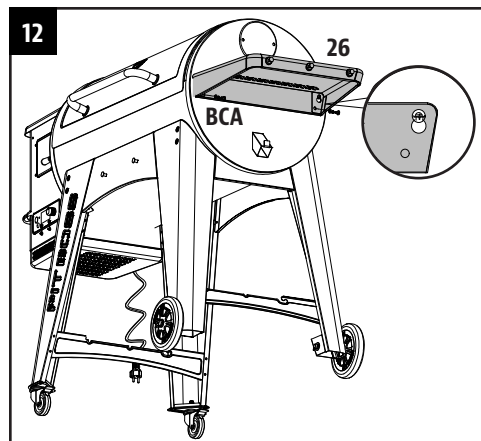
12. MONTERE SIDEHYLLEN

Nødvendige deler:

- 1 x Høyre sidebord (#26)
- 2 x Skruer (#A)
- 2 x Skiver (#B)
- 2 x Låseskiver (#C)

Montering:

- Løsne de to forhåndsmonterte skruene fra siden av hovedsynderen. Hekt sidehyllen på skruene først og fest deretter de to skruene som er løsnet på forhånd.
- Fra undersiden festes sidehyllen på sidepanelet til hovedsynderen med to skruer, skiver og låseskiver.



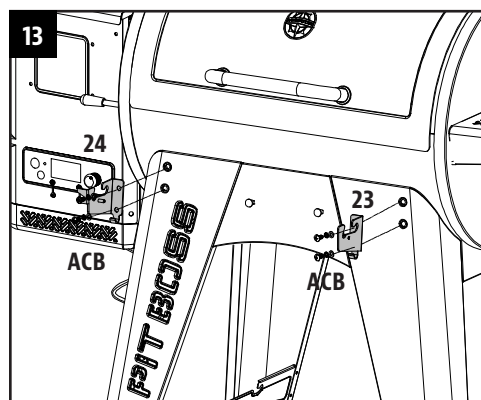
13. FESTE BRAKETTER FOR FRONTHYLLEN

Nødvendige deler:

- 1 x Høyre brakett for fronthyll (#23)
- 1 x Venstre brakett for fronthyll (#24)
- 4 x Skruer (#A)
- 4 x Skiver (#B)
- 4 x Låseskiver (#C)

Montering:

- Fest hver støttebraket for fronthyllen på fremre støttebein ved hjelp av to skruer, skiver og låseskiver.



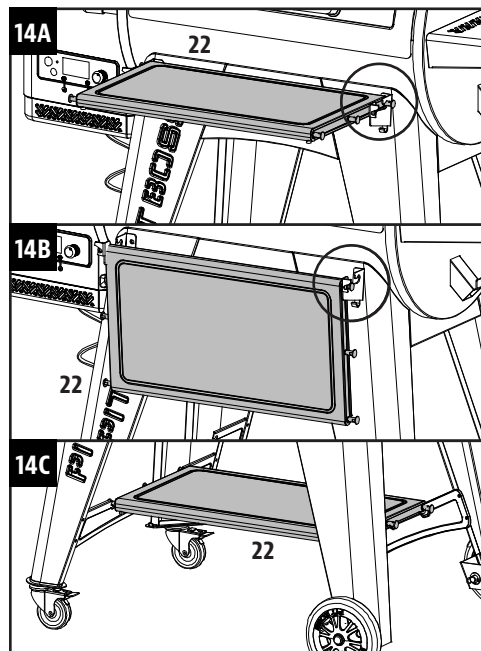
14. MONTERE FRONTHYLLEN

Nødvendige deler:

- 1 x Fronthyll (#22)

Montering:

- Sett fronthyllen på støttebrakettene for fronthyllen. Se illustrasjon 14A for utfoldet fronthyll.
- Se illustrasjon 14B for foldet fronthyll.
- Fronthyllen kan også plasseres på nedre støtteplater og brukes som bunnplate. Se illustrasjon 14C.



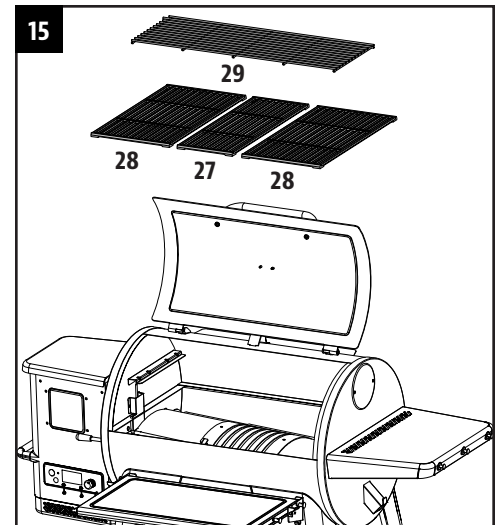
15. MONTERE TILBEREDNINGSKOMPONENTENE FOR GRILLEN

Nødvendige deler:

- 1 x Stekerist A (#27)
- 2 x Stekerist B (#28)
- 1 x Varmehylle (#29)

Montering:

- Plasser stekeristene ved side av hverandre på ristkanten inni hovedgrillen.
- Plasser den øvre stekehylle på den øvre kanten inni hovedgrillen. Varmehyllen låses på plass.



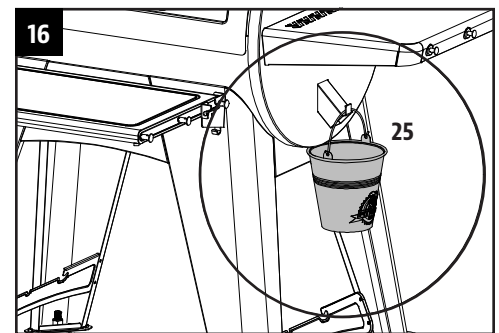
16. MONTERE FETTBØTTE

Nødvendige deler:

- 1 x Fettbøtte (#25)

Montering:

- Plasser fettbøtten på tutens krok på enden av hovedsylinderen. Pass på at den er i vater for å unngå fettsøl.
- Enheten er nå ferdig montert.



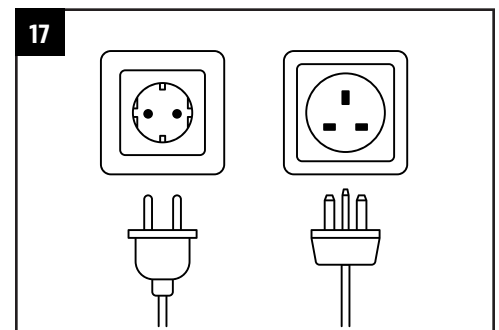
17. KOBLE TIL EN STRØMKILDE

MERK: Før du kobler Pit Boss®-enheten til en stikkontakt, må du passe på at knotten for temperaturkontroll står i posisjonen OFF (AV).

- **STANDARDKONTAKT**
Dette apparatet bruker 220–240 V, 50 Hz, 250 W. Det må være en jordet plugg.

VIKTIG: Koble enheten fra strømkilden når den ikke er i bruk.

VIKTIG: Se brukerhåndboken for bruksanvisninger





INFORMACJA O PRAWACH AUTORSKICH

Copyright 2021. Wszelkie prawa zastrzeżone. Żadna część niniejszej instrukcji nie może być powielana, przesyłana, przepisywana czy też zapisywana w systemach wyszukiwania, niezależnie od formy lub sposobu wykonania tego typu działań, bez wyraźnej zgody pisemnej

Dansons

3411 North 5th Avenue, Suite 500, Phoenix, AZ, USA 85013
sales@pitboss-grills.com | service@pitboss-grills.com

www.pitboss-grills.com

Dział obsługi klienta

Od poniedziałku do niedzieli, w godzinach od 4:00 do 20:00 PST (EN/FR/ES)

Bezpłatna infolinia: 1-877-303-3134, faks: 1-877-303-3135

SPIS TREŚCI

Części i specyfikacje	81
Przygotowanie do montażu	83
Instrukcje montażu	
Mocowanie spodów nóg	83
Montaż podstawek mocujących i kółek samonastawnych....	84
Montaż podstawek mocujących i kółek.....	84
Mocowanie podstawki mocującej do nóg z kółkami.....	85
Mocowanie podstawki mocującej do nóg z kółkami samonastawnymi.....	85
Mocowanie korpusu beczkowego do wózka.....	85
Mocowanie podstawek mocujących do grilla	86
Instalowanie zatrzasku pokrywy	86
Instalowanie uchwytu pokrywy.....	86
Instalowanie elementów zasłony grillowania na ogniu	87
Instalowanie pręta do regulacji zasłony grillowania na ogniu	87
Instalowanie półki bocznej.....	88
Mocowanie wsporników półki przedniej.....	88
Instalowanie półki przedniej.....	88
Instalowanie elementów grilla do gotowania.....	89
Instalowanie wiadra na tłuszcz	89
Podłączanie do źródła zasilania.....	89

CZĘŚCI I SPECYFIKACJE

Nr części	Opis
1	Zatrząsk pokrywy (x1)
2	Uchwyt pokrywy (x1)
3	Zaślepka uchwytu pokrywy (x2)
4	Korpus beczkowy/konstrukcja ze zbiornikiem (x1)
5	Pręt do regulacji zasłony grillowania na ogniu (x1)
6	Uchwyt pręta do regulacji zasłony grillowania na ogniu (x1)
7	Zasłona płomienia (x1)
8	Płyta główna do grillowania na ogniu (x1)
9	Lewa przednia noga (x1)
10	Lewa tylna noga (x1)
11	Prawa przednia noga (x1)
12	Prawa tylna noga (x1)
13	Spód lewej przedniej nogi (x1)
14	Spód lewej tylnej nogi (x1)
15	Zestaw kołowy skrętny z hamulcem (x2)
16	Kółko (x2)
17	Prawa dolna podstawka mocująca (x1)
18	Lewa dolna podstawka mocująca (x1)
19	Krótka podstawka mocująca (x2)
20	Przednia długa podstawka mocująca (x1)
21	Tylna długa podstawka mocująca (x1)
22	Półka przednia (x1)
23	Prawy wspornik półki przedniej (x1)
24	Lewy wspornik półki przedniej (x1)
25	Wiadro na tłuszcz (x1)
26	Prawy stolik boczny (x1)
27	Ruszt A do gotowania (x1)
28	Ruszt B do gotowania (x2)
29	Ruszt do podgrzewania (x1)
30	Termosonda do mięsa (x1)

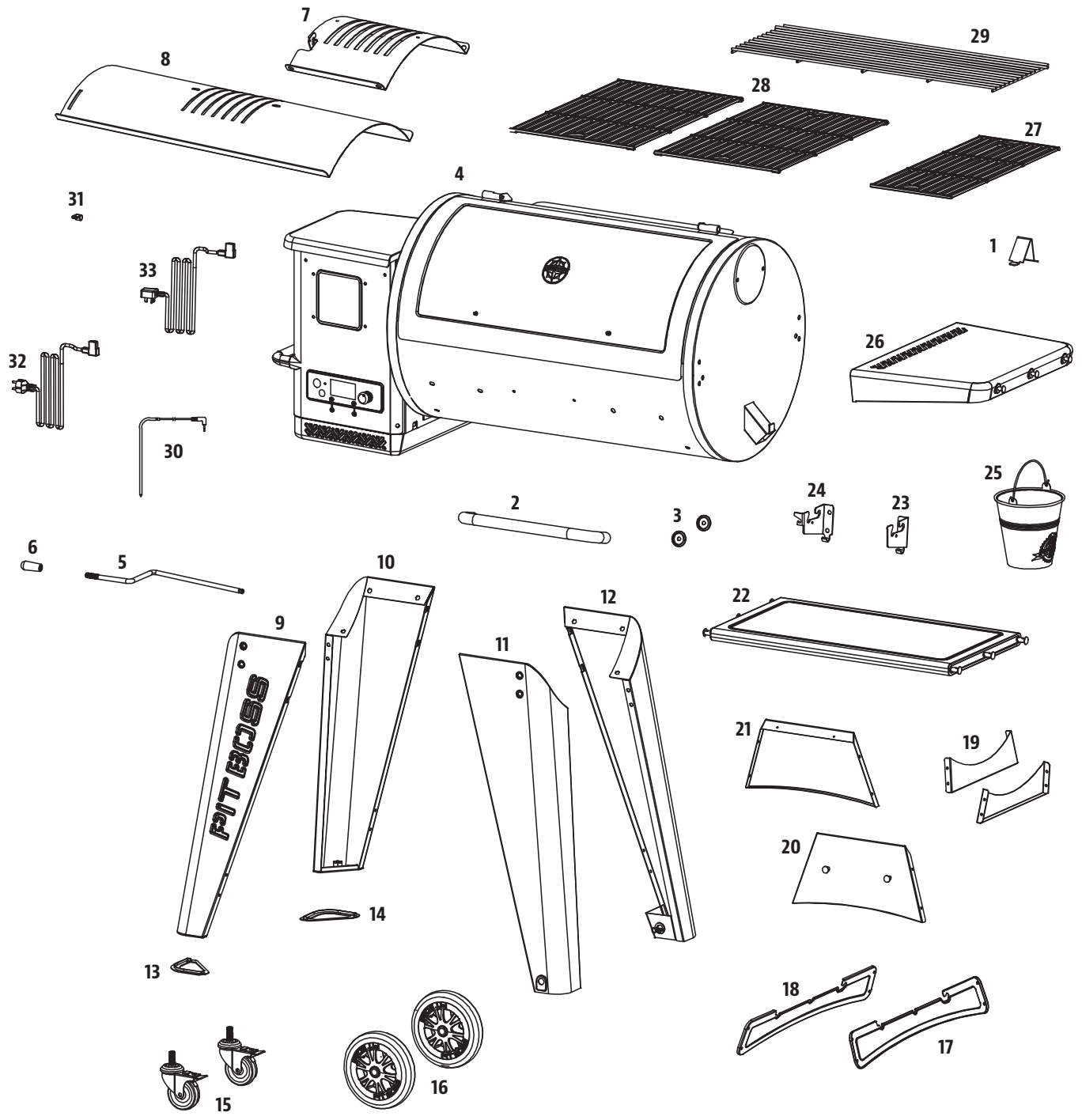
Nr części	Opis
31	Zaczep przewodu zasilającego (x1)
32	Przewód zasilający — wtyczka F (x1)
33	Przewód zasilający — wtyczka G (x1)
A	Śruba (x18)
B	Podkładka (x18)
C	Podkładka zabezpieczająca (x18)
D	Śruba (x30)
E	Śruba (x4)
F	Sworzeń zwrotnicy do koła (x2)
G	Zawleczka do koła (x2)
H	Podkładka do koła (x2)

UWAGA: Ze względu na nieustanny rozwój produktu jego części mogą zostać zmienione bez uprzedzenia. Skontaktuj się z działem obsługi klienta, jeżeli zauważysz brak części podczas montażu urządzenia.

PB – WYMAGANIA ELEKTRYCZNE
220-240 V, 50 Hz, 250 W, WTYCZKA Z UZIEMIENIEM

Ilustracja ze schematem na następnej stronie.

MODEL	WYMIARY (SxWxG)	WAGA	STREFA GRILLOWANIA	ZAKRES TEMP.	FUNKCJE CYFROWE
PB PB850G	1,472mm x 1,195mm x 940mm / 57.9 in. x 47 in. x 37 in.	74.5 kg / 164.24 lb	Grill główny- 3825,8 cm ² / 593 in ² Ruszt górny- 1845,2 cm ² / 286 in ² OGÓŁEM - 5671 cm² / 879 in²	82-260°C / 180-500°F	Dziesięć ustawień temperatury, cykle rozruchu i chłodzenia, zapalnik elektryczny



PRZYGOTOWANIE DO MONTAŻU

Elementy produktu znajdują się w różnych miejscach opakowania transportowego, także pod grillem. Po wyjęciu grilla, jego części i sprzętu w opakowaniu blisterowym z ochronnego opakowania transportowego sprawdź ich stan. Przed montażem usuń wszystkie wewnętrzne i zewnętrzne fragmenty opakowania grilla, a następnie przejrzyj wszystkie elementy i upewnij się, że pokrywają się z listą części. W przypadku braku lub uszkodzenia jakiegokolwiek części, nie podejmuj żadnych prób demontażu lub modyfikacji. Gwarancja nie obejmuje szkód powstałych w trakcie transportu. Aby uzyskać części, skontaktuj się ze sprzedawcą lub z działem obsługi klienta Pit Boss® od poniedziałku do niedzieli, w godzinach od 4:00 do 20:00 PST (EN/FR/ES).

service@pitboss-grills.com | Bezpłatna infolinia: 1-877-303-3134 | Faks: 1-877-303-3135

WAŻNE: W celu ułatwienia instalacji i uniknięcia urazów warto skorzystać z pomocy innej osoby podczas montażu tego urządzenia. .

Narzędzia potrzebne do montażu: wkrętak i poziomnica. *Narzędzia nie wchodzi w skład zestawu.*



INSTRUKCJE MONTAŻU

WAŻNE: Zaleca się dokładne przeczytanie każdego kroku przed rozpoczęciem montażu zgodnie z instrukcją. Nie dokręcaj śrub całkowicie, dopóki dla danego kroku nie zostaną zainstalowane wszystkie śruby. Przy instalacji elementów połączonych, takich jak podkładka zabezpieczająca i podkładka, należy zwrócić uwagę, by podkładka zabezpieczająca znajdowała się bliżej łba śruby.

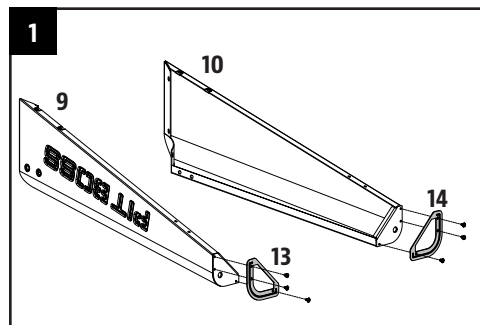
1. MOCOWANIE SPODÓW NÓG

Wymagane części:

- 1 x Lewa przednia noga (#9)
- 1 x Lewa tylna noga (#10)
- 1 x Spód lewej przedniej nogi (#13)
- 1 x Spód lewej tylnej nogi (#14)
- 6 x Śruba (#D)

Montaż:

- Za pomocą trzech śrub przykręć spód lewej przedniej nogi do lewej przedniej nogi, do której ma zostać zamontowane kółko samonastawne z blokadą. Następnie przejdź do mocowania lewej tylnej nogi, do której ma zostać zamontowane kółko samonastawne z blokadą, oraz spodu lewej tylnej nogi.



PL

POLSKI

2. MONTAŻ PODSTAWEK MOCUJĄCYCH I KÓŁEK SAMONASTAWNYCH

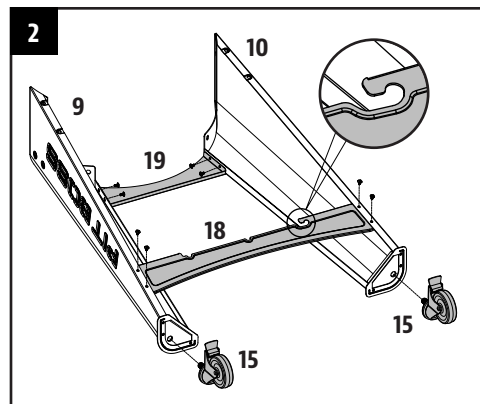
Wymagane części:

- 1 x Lewa przednia noga (#9)
- 1 x Lewa tylna noga (#10)
- 1 x Lewa dolna podstawka mocująca (#18)
- 1 x Krótka podstawka mocująca (#19)
- 2 x Zestaw kołowy skrętny z hamulcem (#15)
- 8 x Śruba (#D)

Montaż:

- Przymocuj jedną krótką podstawkę mocującą z boku urządzenia, pomiędzy przednimi i tylnymi nogami podpierającymi, za pomocą czterech śrub. Powtórz tę samą procedurę instalacji, aby zamontować do tych samych nóg dolną podstawkę mocującą.
- Zamontuj po jednym kółku samonastawnym z blokadą pod każdą z nóg podpierających, dokręcając ręcznie śruby umieszczone w otworach. Upewnij się, że kółko samonastawne z blokadą jest całkowicie wsunięte i że nie można go już dalej obrócić.

UWAGA: Upewnij się, że dolna podstawka mocująca jest zwrócona we właściwym kierunku.



3. MONTAŻ PODSTAWEK MOCUJĄCYCH I KÓŁEK

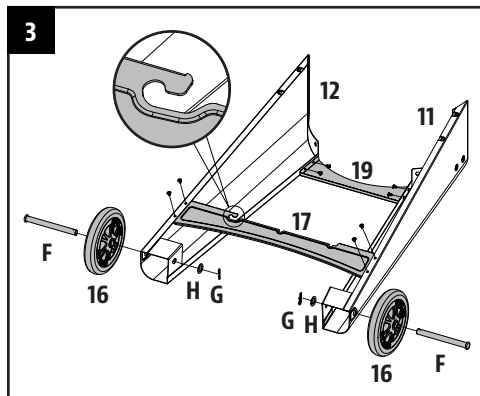
Wymagane części:

- 1 x Prawa przednia noga (#11)
- 1 x Prawa tylna noga (#12)
- 1 x Prawa dolna podstawka mocująca (#17)
- 1 x Krótka podstawka mocująca (#19)
- 2 x Kółko (#16)
- 8 x Śruba (#D)
- 2 x Sworzeń zwrotnicy do koła (#F)
- 2 x Zawlecзка do koła (#G)
- 2 x Podkładka do koła (#H)

Montaż:

- Przymocuj jedną krótką podstawkę mocującą z boku urządzenia, pomiędzy przednimi i tylnymi nogami podpierającymi, za pomocą czterech śrub. Powtórz tę samą procedurę instalacji, aby zamontować do tych samych nóg dolną podstawkę mocującą.
- Przymocuj duże kółko do nogi podpierającej, wsuwając sworzeń zwrotnicy do koła przez otwór w nodze, do której ma zostać zamocowane kółko, a następnie zabezpiecz je zawleczką do koła. Powtórz kroki instalacyjne dla drugiego kółka po tej samej stronie.

UWAGA: Upewnij się, że dolna podstawka mocująca jest zwrócona we właściwym kierunku.



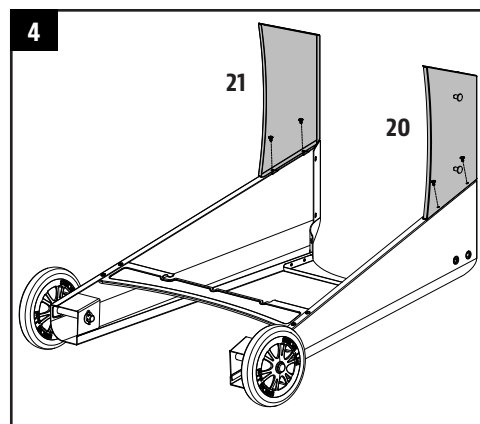
4. MOCOWANIE PODSTAWKI MOCUJĄCEJ DO NÓG Z KÓŁKAMI

Wymagane części:

- 1 x Przednia długa podstawka mocująca (#20)
- 1 x Tylna długa podstawka mocująca (#21)
- 4 x Śruba (#D)

Montaż:

- Zamocuj jedną długą podstawkę mocującą do nogi podpierającej, do której ma zostać zamocowane kółko, za pomocą dwóch śrub. Upewnij się, że płaska strona podstawki mocującej jest skierowana na zewnątrz. Powtórz tę samą procedurę instalacji, aby zamontować drugą długą podstawkę mocującą do drugiej nogi podpierającej.



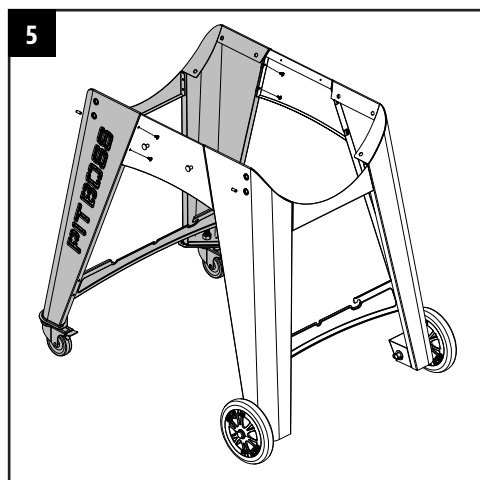
5. MOCOWANIE PODSTAWKI MOCUJĄCEJ DO NÓG Z KÓŁKAMI SAMONASTAWNYMI

Wymagane części:

- 4 x Śruba (#D)

Montaż:

- Następnie przymocuj długą podstawkę mocującą do nóg podpierających przeznaczonych do montażu kółek samonastawnych. Dokręć, używając po dwie śruby na każdą podstawkę.



6. MOCOWANIE KORPUSU BECZKOWEGO DO WÓZKA

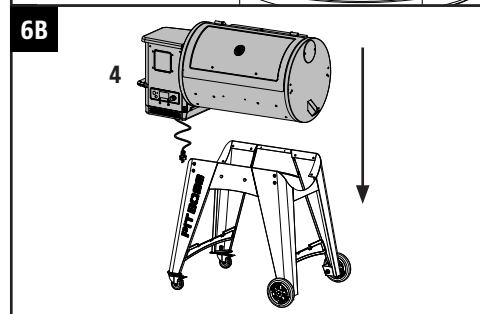
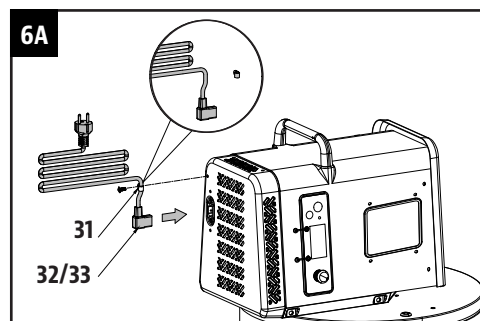
Wymagane części:

- 1 x Korpus beczkowy/konstrukcja ze zbiornikiem (#4)
- 12 x Śruba (#A)
- 12 x Podkładka (#B)
- 12 x Podkładka zabezpieczająca (#C)
- 1 x Przewód zasilający (#32 lub #33)
- 1 x Klipsy mocujące (#31)

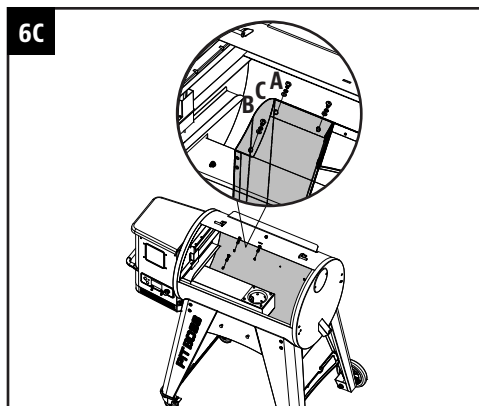
Montaż:

UWAGA: w zestawie znajdują się dwa kable zasilające. Wybierz przewód zasilający wymagany w Twoim regionie.

- Umieść klipsy mocujące na właściwym przewodzie zasilającym. Wsuń przewód zasilający do zagłębienia na spodzie zbiornika. Przymocuj klipsy mocujące do dna zbiornika za pomocą uprzednio wykręconej śruby. Patrz ilustracja 6A.
- Przygotuj korpus beczkowy do montażu na wózku. Ostrożnie ustaw wózek w pozycji pionowej, kółkami do dołu. Ustaw wózek obok korpusu beczkowego w taki sposób, aby oba te elementy były zwrócone w tym samym kierunku. Zablokuj kółka samonastawne wózka. Przygotuj się do przeniesienia korpusu beczkowego na wózek z pomocą drugiej osoby. W czasie, gdy jedna osoba będzie unosić korpus od strony zbiornika, druga powinna unosić go z drugiej strony. Podniesiony korpus należy powoli i ostrożnie ustawić na wózku. Pokazano to na ilustracji 6B.



- Następnie otwórz pokrywę korpusu beczkowego. Delikatnie dostosuj położenie korpusu na wózku, aby wyrównać otwory na śruby. Po odpowiednim ustawieniu przymocuj każdą z nóg do korpusu beczkowego, korzystając z trzech śrub, podkładek oraz podkładek zabezpieczających. Pokazano to na ilustracji 6C.



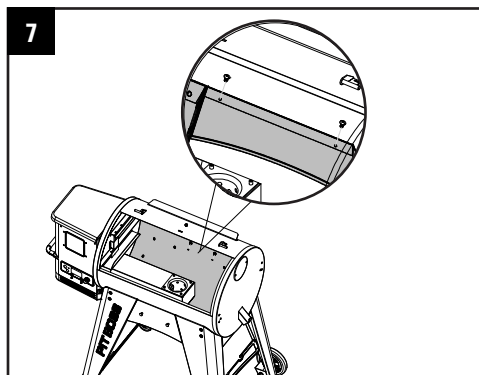
7. MOCOWANIE PODSTAWEK MOCUJĄCYCH DO GRILLA

Wymagane części:

4 x Śruba (#E)

Montaż:

- Przykręć każdą z długich podstawek mocujących do korpusu beczkowego, korzystając z dwóch śrub.



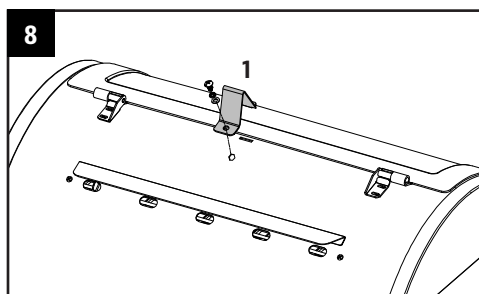
8. INSTALOWANIE ZATRZASKU POKRYWY

Wymagane części:

1 x Zatrzask pokrywy (#1)

Montaż:

- Zamontuj zatrzask pokrywy w górnej części korpusu beczkowego za pomocą przymocowanej do niego wcześniej śruby.



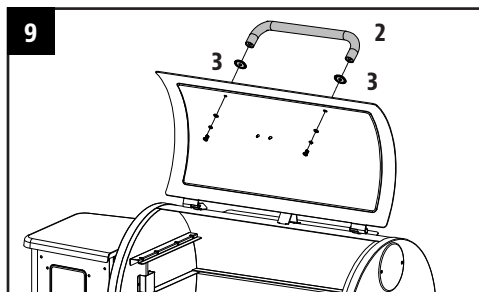
9. INSTALOWANIE UCHWYTU POKRYWY

Wymagane części:

1 x Uchwyt pokrywy (#2)
2 x Zasłepka uchwytu pokrywy (#3)

Montaż:

- Wyjmij zamocowane wcześniej śruby z uchwytu pokrywy. Przeprowadź jedną śrubę od środka korpusu beczkowego przez jego pokrywę, tak by wystawała na zewnątrz. Nałóż zaślepkę na śrubę. Następnie przymocuj śrubę ręcznie (od środka) do uchwytu pokrywy. Powtórz opisane czynności po drugiej stronie.



10. INSTALOWANIE ELEMENTÓW ZASŁONY GRILLOWANIA NA OGNIU

Wymagane części:

- 1 x Płyta główna do grillowania na ogniu (#8)
- 1 x Zasłona płomienia (#7)

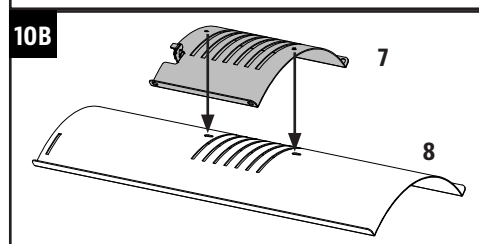
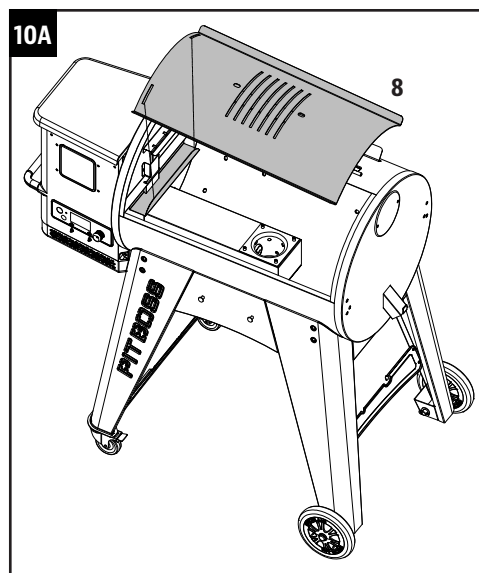
Montaż:

- Umieść płytę główną do grillowania na ogniu w głównej części grilla. Oprzyj płytę główną do grillowania na ogniu na wbudowanym ustępie (po prawej, wewnętrznej stronie) głównej części grilla, który kieruje tłuszcz do wiaderka. Przesuń cały element w lewą stronę, aby dopasować jej dwa otwory do zaokrąglonego ustępu nad komorą spalania. Część ta znajdzie się pod lekkim kątem w dół. Pokazano to na ilustracji 10A.

WAŻNE: Jeżeli płyta główna znajduje się na spodzie korpusu beczkowego, nie jest ona zamontowana prawidłowo. Nieprawidłowa instalacja może skutkować uszkodzeniem korpusu beczkowego grilla.

- Umieść zasłonę płomienia na płycie głównej do grillowania na ogniu, zakrywając szczeliny. Upewnij się, że wycięcie znajduje się po lewej stronie, a dwa sworznie u dołu zasłony płomienia znajdują się w otworach płyty głównej do grillowania na ogniu, co pozwoli na szybkie zakrywanie lub odsłanianie płomienia podczas grillowania. Zarówno płyta do grillowania na ogniu, jak i jej zasłona są delikatnie pokryte olejem, co zapobiega ich rdzewieniu podczas transportu. Pokazano to na ilustracji 10B.

UWAGA: W celu utrzymania optymalnego efektu smażenia i grillowania na rusztach wymagana jest ich regularna pielęgnacja i konserwacja. Zobacz Instrukcja użytkownika.



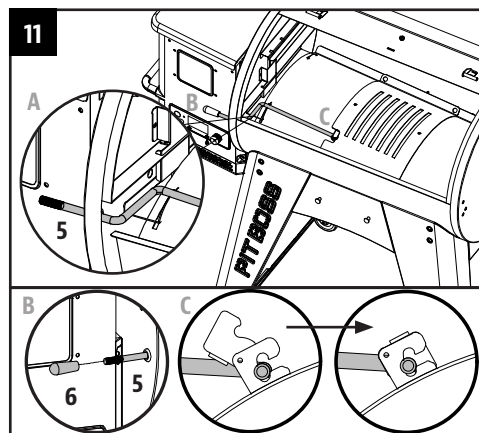
11. INSTALOWANIE PRĘTA DO REGULACJI ZASŁONY GRILLOWANIA NA OGNIU

Wymagane części:

- 1 x Pręt do regulacji zasłony grillowania na ogniu (#5)
- 1 x Uchwyt pręta do regulacji zasłony grillowania na ogniu (#6)

Montaż:

- Wsuń pręt do regulacji zasłony grillowania na ogniu przez otwór z lewej strony korpusu beczkowego. Na końcu pręta do regulacji zasłony grillowania na ogniu wystającym poza korpus beczkowy nałóż uchwyt. Następnie wsuń koniec pręta do regulacji z nacięciem do elementu blokującego zasłonę płomienia, aby zapewnić sobie możliwość regulowanego dostępu do zasłony płomienia na płycie głównej.



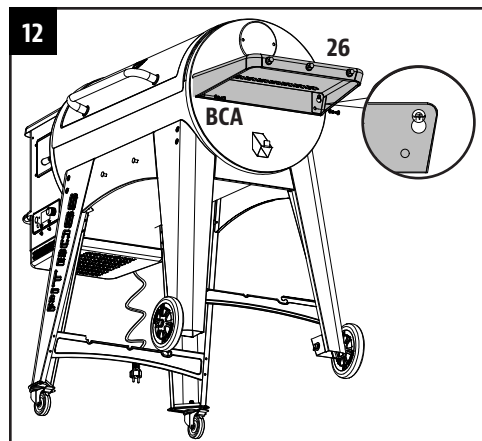
12. INSTALOWANIE PÓŁKI BOCZNEJ

Wymagane części:

- 1 x Prawy stolik boczny (#26)
- 2 x Śruba (#A)
- 2 x Podkładka (#B)
- 2 x Podkładka zabezpieczająca (#C)

Montaż:

- Poluzuj dwie zamocowane wcześniej śruby z boku korpusu beczkowego. Najpierw zawieś na nich półkę boczną, a następnie je dokręć.
- Przymocuj od spodu półkę boczną do panelu bocznego korpusu beczkowego, korzystając z dwóch śrub, podkładek oraz podkładek zabezpieczających.



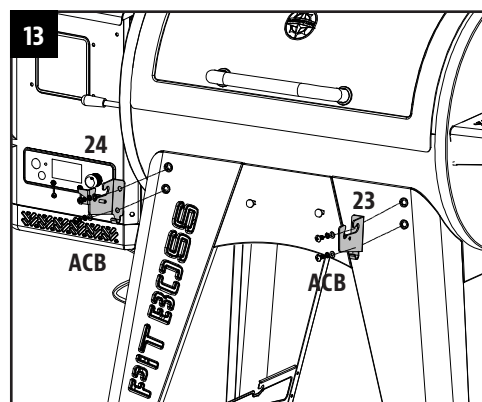
13. MOCOWANIE WSPORNIKÓW PÓŁKI PRZEDNIEJ

Wymagane części:

- 1 x Prawy wspornik półki przedniej (#23)
- 1 x Lewy wspornik półki przedniej (#24)
- 4 x Śruba (#A)
- 4 x Podkładka (#B)
- 4 x Podkładka zabezpieczająca (#C)

Montaż:

- Przymocuj wsporniki półki przedniej do przedniej nogi podpierającej, korzystając z dwóch śrub, podkładek oraz podkładek zabezpieczających.



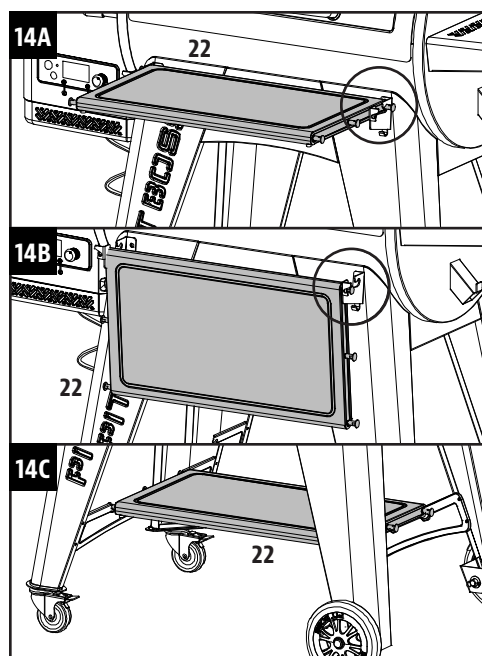
14. INSTALOWANIE PÓŁKI PRZEDNIEJ

Wymagane części:

- 1 x Półka przednia (#22)

Montaż:

- Umieść półkę przednią na wspornikach półki przedniej. Na ilustracji 14A przedstawiono rozłożoną półkę przednią.
- Na ilustracji 14B przedstawiono złożoną półkę przednią.
- Półkę przednią można także umieścić na dolnych podstawkach mocujących i użyć jako płyty dolnej. Pokazano to na ilustracji 14C.



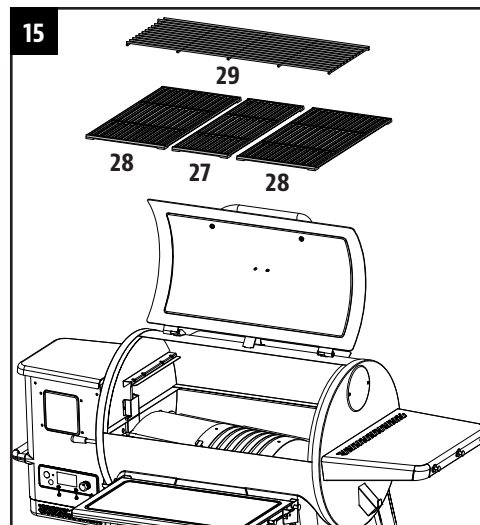
15. INSTALOWANIE ELEMENTÓW GRILLA DO GOTOWANIA

Wymagane części:

- 1 x Ruszt A do gotowania (#27)
- 2 x Ruszt B do gotowania (#28)
- 1 x Ruszt do podgrzewania (#29)

Montaż:

- Umieść obok siebie ruszty do grillowania na ustępach wewnątrz głównej części grilla.
- Umieść ruszt górny na górnych ustępach wewnątrz głównej części grilla. Ruszt do podgrzewania zablokuje się we właściwym położeniu.



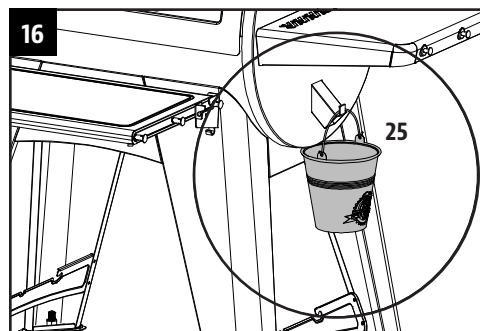
16. INSTALOWANIE WIADRA NA TŁUSZCZ

Wymagane części:

- 1 x Wiadro na tłuszcz (#25)

Montaż:

- Umieść wiadro na tłuszcz na haku wylewki, znajdującym się na jednym z końców korpusu beczkowego. Upewnij się, że wisi równo, aby nie dopuścić do wycieku tłuszczu.
- Urządzenie jest już gotowe do użytku.



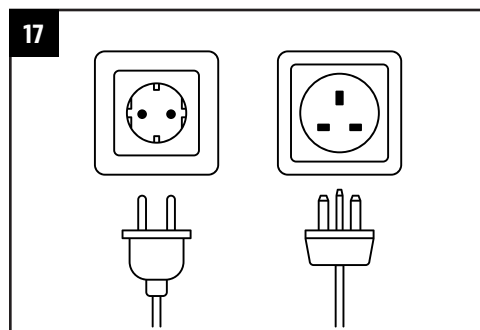
17. PODŁĄCZANIE DO ŹRÓDŁA ZASILANIA

UWAGA: Przed podłączeniem urządzenia Pit Boss® do gniazda elektrycznego, upewnij się, że pokrętko regulacji temperatury znajduje się w pozycji OFF.

- **GNIAZDO STANDARDOWE**
To urządzenie wymaga zasilania zgodnego z parametrami: 220–240 V, 50 Hz, 250 W. Musi to być wtyczka z ziemiowaniem.

WAŻNE: Odłącz urządzenie od źródła zasilania, gdy nie jest używane.

WAŻNE: Zapoznaj się z instrukcjami obsługi zawartymi w podręczniku użytkownika





MEDDELANDE OM UPPHOVSRÄTT

Copyright 2021. Alla rättigheter förbehålles. Denna bruksanvisning får inte kopieras, överföras, transkriberas, lagras i ett söksystem, i någon del, form eller på något sätt, utan uttryckligt skriftligt tillstånd från

Dansons

3411 North 5th Avenue, Suite 500, Phoenix, AZ, USA 85013
sales@pitboss-grills.com | service@pitboss-grills.com
www.pitboss-grills.com

Kundtjänst

Måndag–söndag kl. 04.00–20.00 PST (EN/FR/ES)
Avgiftsfritt: 1-877-303-3134, Fax: 1-877-303-3135

INNEHÅLLSFÖRTECKNING

Delar och specifikationer	91
Förberedelse för montering	93
Monteringsanvisningar	
Fästa fot på stödben	93
Fästa stödplattor och svängbara hjul.....	93
Fästa stödplattor och hjul	94
Fästa stödplatta på stödben för hjul.....	94
Fästa stödplatta på stödben för svängbara hjul	94
Montera huvudbehållaren på vagnen.....	95
Fästa stödplattor på grillen	95
Installera locklåset	95
Installera lockhandtaget	96
Installera flamgrillskomponenterna	96
Installera vevstake för flamgrill.....	96
Installera sidohyllan	97
Montera fästen till framhylla	97
Installera framhyllan	97
Installera grillkomponenterna	98
Installera dropphink	98
Ansluta till en strömkälla	98

DELAR OCH SPECIFIKATIONER

Delnr	Beskrivning
1	Locklås (× 1)
2	Lockhandtag (× 1)
3	Lockhandtagets infattning (× 2)
4	Huvudbehållare/pelletstankenhet (x 1)
5	Vevstake för flamgrill (× 1)
6	Handtag till vevstake för flamgrill (× 1)
7	Skjutreglage för flamgrill (× 1)
8	Huvudplatta för flamgrill (× 1)
9	Vänster framben (× 1)
10	Vänster bakben (× 1)
11	Höger framben (× 1)
12	Höger bakben (× 1)
13	Trimdel till vänster framben (× 1)
14	Trimdel till vänster bakben (× 1)
15	Svänghjul med broms (× 2)
16	Hjul (× 2)
17	Stödplatta höger bak (× 1)
18	Stödplatta vänster bak (× 1)
19	Kort stödplatta (× 2)
20	Lång stödplatta fram (× 1)
21	Lång stödplatta bak (× 1)
22	Framhylla (× 1)
23	Höger fäste till framhylla (× 1)
24	Vänster fäste till framhylla (× 1)
25	Dropphink (× 1)
26	Höger sidobord (× 1)
27	Grillgaller A (× 1)
28	Grillgaller B (× 2)
29	Uppvärmningsgaller (× 1)
30	Köttsond (× 1)

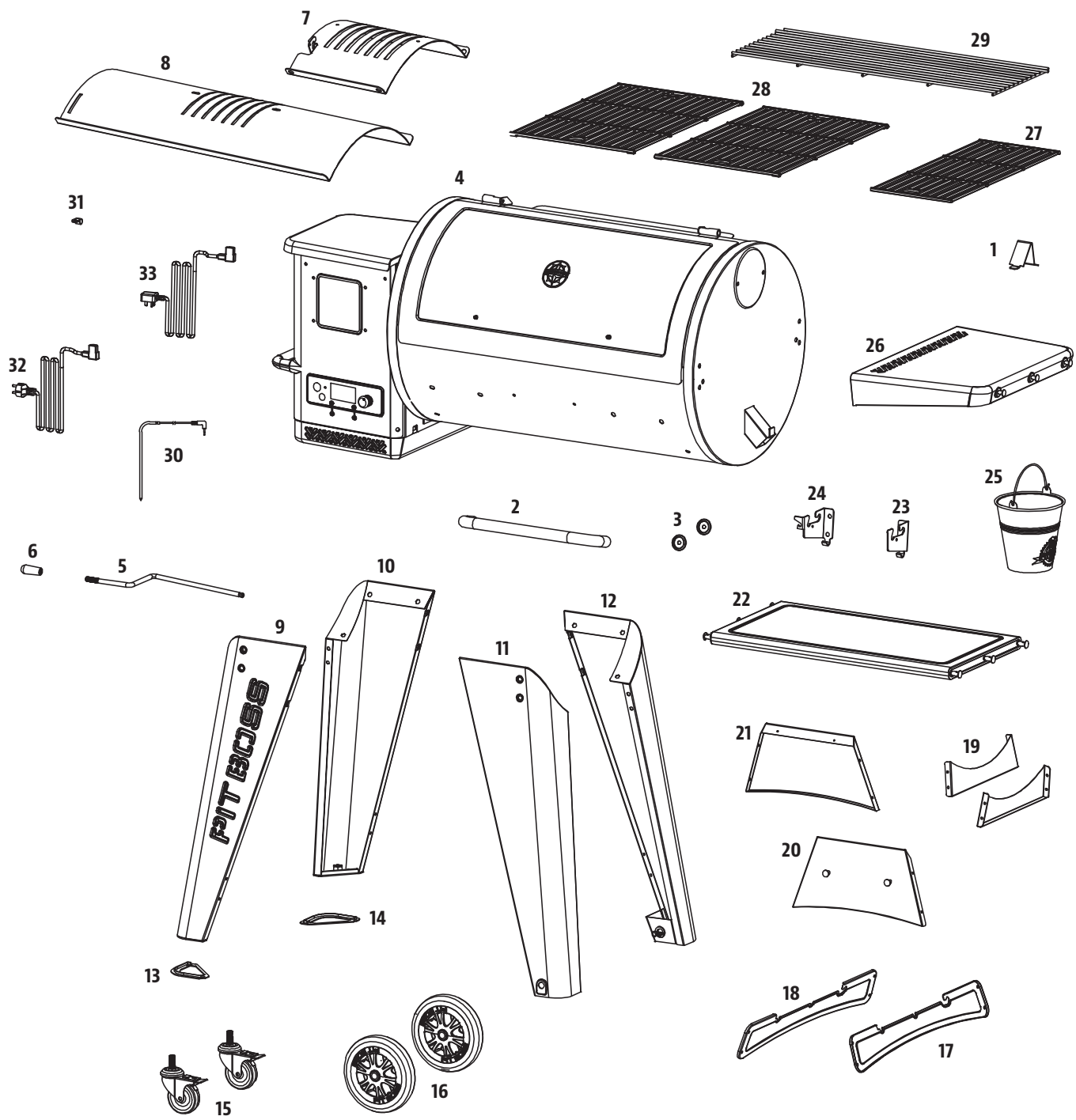
Delnr	Beskrivning
31	Klämma för nätkabel (x 1)
32	Nätkabel – F-kontakt (x 1)
33	Nätkabel – G-kontakt (x 1)
A	Skruv (× 18)
B	Bricka (x 18)
C	Låsbricka (× 18)
D	Skruv (x30)
E	Skruv (x4)
F	Sprint till hjulaxel (× 2)
G	Saxsprint till hjul (× 2)
H	Bricka för hjul (× 2)

OBS! Till följd av kontinuerlig produktutveckling kan delar bytas för enheten utan föregående meddelande. Kontakta kundtjänst om det saknas delar för montering av enheten.

PB – ELKRAV
220-240 V, 50 Hz, 250 W, JORDAD KONTAKT

Illustrerande bild på nästa sida.

MODELL	MONTERAD ENHET (B x H x D)	ENHETSVIKT	GRILLOMRÅDE	TEMPERATURINTERVALL	DIGITALA FUNKTIONER
PB PB850G	1472mm x 1195mm x 940mm / 57,9" x 47" x 37"	74,5 kg / 164,24 lb	Huvudområde - 3825.8 cm ² / 593 sq. in. Övre hylla - 1845.2 cm ² / 286 sq. in. TOTALT - 5671 cm² / 879 sq. in.	82-260°C / 180-500°F	Tio förinställda temperaturlägen, start- och nedkylningsprogram, elektrisk tändare



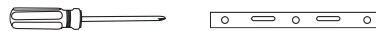
FÖRBEREDELSE FÖR MONTERING

Delarnas visas över hela transportkartongen, inklusive på grillens undersida. Kontrollera grillen, delarna och paketet med hårdvarutillbehör efter att det har tagit ur transportkartongen. Avlägsna allt förpackningsmaterial inuti och utanpå grillen och kontrollera sedan alla delar mot listan över delarna. Om någon del saknas eller är skadad väntar du med monteringen. Skador som tillkommer under transport täcks inte av garantin. Kontakta din återförsäljare eller kundtjänst för Pit Boss® om du behöver reservdelar: Måndag–söndag kl. 04.00–20.00 PST (EN/FR/ES).

service@pitboss-grills.com | Avgiftsfritt: 1-877-303-3134 | Fax: 1-877-303-3135

VIKTIGT! Se till att vara två personer vid ihopmontering av enheten för enklare installation och för att undvika personskador.

Nödvändiga verktyg för installationen: skruvmejsel och vattenpass. *Verktyg ingår inte.*



MONTERINGSANVISNINGAR

VIKTIGT! Vi rekommenderar att du läser igenom varje steg noggrant innan du börjar montera ihop enheten. Dra inte åt skruvarna helt förrän alla skruvar för respektive steg har installerats. Maskinvarutillbehöret som innehåller en låsbricka och en bricka ska installeras med låsbrickan närmast skruvhuvudet.

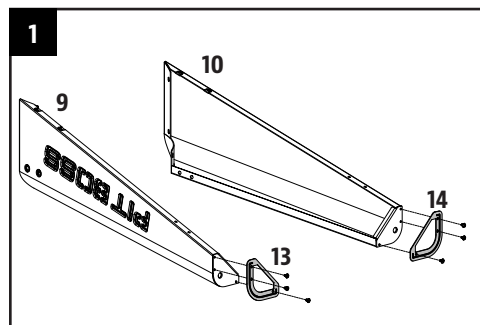
1. FÄSTA FOT PÅ STÖDBEN

Nödvändiga delar:

- 1 x Vänster framben (#9)
- 1 x Vänster bakben (#10)
- 1 x Trimdel till vänster framben (#13)
- 1 x Trimdel till vänster bakben (#14)
- 6 x Skruv (#D)

Installation:

- Använd tre skruvar för att fästa trimdelen för vänster framben på vänster framben för svängbart hjul med låsmekanism. Fortsätt med att installera vänster bakben för svängbart hjul med låsmekanism och trimdelen för vänster bakben.



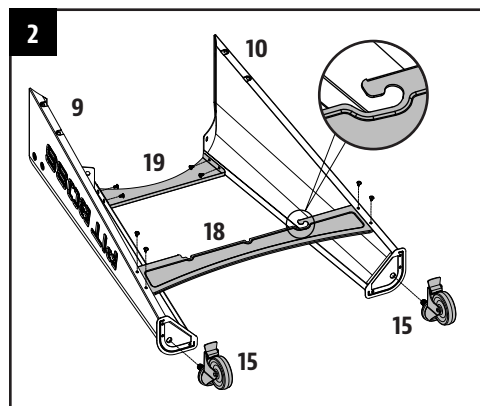
2. FÄSTA STÖDPLATTOR OCH SVÄNGBARA HJUL

Nödvändiga delar:

- 1 x Vänster framben (#9)
- 1 x Vänster bakben (#10)
- 1 x Stödplatta vänster bak (#18)
- 1 x Kort stödplatta (#19)
- 2 x Svänghjul med broms (#15)
- 8 x Skruv (#D)

Installation:

- Installera en kort stödplatta på enhetens sida mellan ett främre och bakre stödben med fyra skruvar. Upprepa samma installation för att montera bottenplattorna på samma ben.
- Sätt i de svängbara hjulen med låsmekanism i varje stödben och skruva åt för hand. Se till att det svängbara hjulet sitter ordentligt fast och inte kan vridas ytterligare.



OBS! Kontrollera att bottenplattan är vänd uppåt och korrekt riktad.

SE

SVENSKA

3. FÄSTA STÖDPLATTOR OCH HJUL

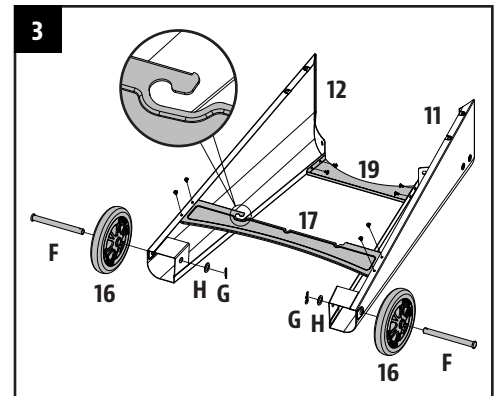
Nödvändiga delar:

- 1 x Höger framben (#11)
- 1 x Höger bakben (#12)
- 1 x Stödplatta höger bak (#17)
- 1 x Kort stödplatta (#19)
- 2 x Hjul (#16)
- 8 x Skruv (#D)
- 2 x Sprint till hjulaxel (#F)
- 2 x Saxsprint till hjul (#G)
- 2 x Bricka för hjul (#H)

Installation:

- Installera en kort stödplatta på enhetens sida mellan ett främre och bakre stödben med fyra skruvar. Upprepa samma installation för att montera bottenplattorna på samma ben.
- Fäst det stora hjulet på stödbenet genom att föra in sprinten för hjulaxel genom hjulet och sedan genom stödbenets hål. Fäst slutligen med hjulets saxsprint. Upprepa proceduren för det andra hjulet på samma sida.

OBS! Kontrollera att bottenplattan är vänd uppåt och korrekt riktad.



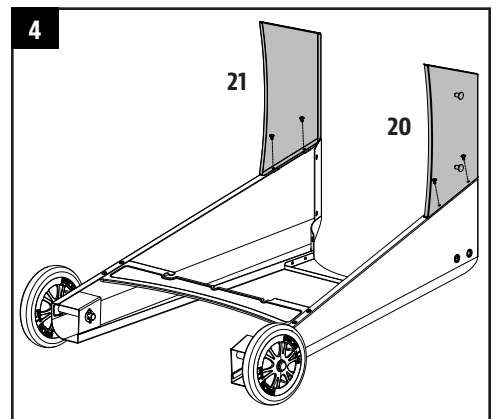
4. FÄSTA STÖDPLATTA PÅ STÖDBEN FÖR HJUL

Nödvändiga delar:

- 1 x Lång stödplatta fram (#20)
- 1 x Lång stödplatta bak (#21)
- 4 x Skruv (#D)

Installation:

- Fäst en lång stödplatta på ett stödben för hjul med två skruvar. Se till att den flatare ytan på stödplattan är vänd utåt. Upprepa samma procedur för att montera den andra långa stödplattan på det andra stödbenet.



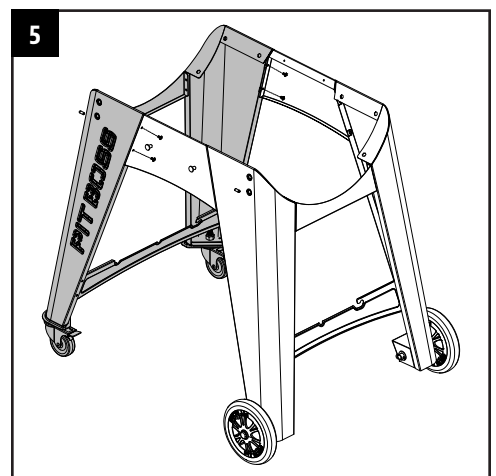
5. FÄSTA STÖDPLATTA PÅ STÖDBEN FÖR SVÄNGBARA HJUL

Nödvändiga delar:

- 4 x Skruv (#D)

Installation:

- Fäst sedan de långa stödplattorna på stödbenen för svängbara hjul. Fäst varje platta med två skruvar.



6. MONTERA HUVUDBEHÅLLAREN PÅ VAGNEN

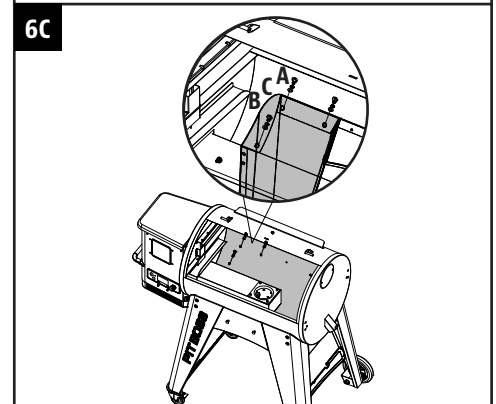
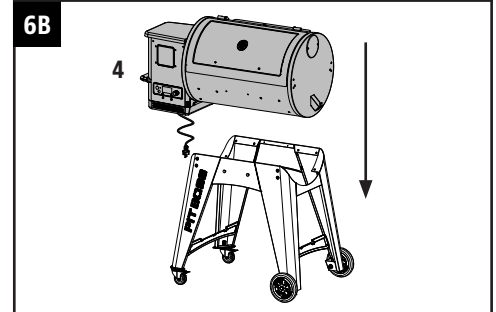
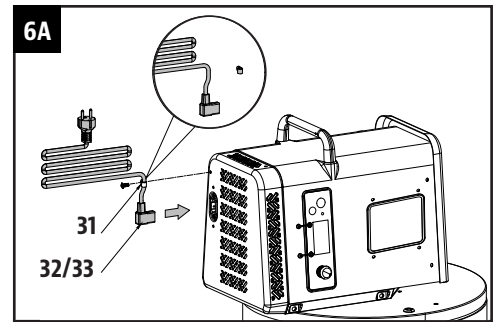
Nödvändiga delar:

- 1 x Main Barrel (#4)
- 12 x Skruv (#A)
- 12 x Bricka (#B)
- 12 x Låsbricka (#C)
- 1 x Strömsladd (#32 eller #33)
- 1 x Kabelklämmorna (#31)

Installation:

OBS! Förpackningen innehåller två olika nätkablar. Välj den nätkabel som passar eluttagen i din region.

- Placera kabelklämmorna på rätt strömsladd. Sätt i strömsladden i klungan nedtill på pelletstanken. Sätt fast kabelklämman nedtill på pelletstanken med den befintliga skruven. Se illustration 6A.
- Förbered huvudbehållaren för montering på vagnen. Lyft försiktigt upp vagnen i upprätt läge med hjulen fästa. Placera vagnen bredvid huvudbehållaren, båda riktade åt samma håll. Lås de svängbara hjulen på vagnen. Var två personer och låt den ena förbereda sig för att lyfta upp huvudbehållaren på vagnen. Lyft försiktigt upp huvudbehållaren och sänk långsamt ner den på vagnen genom att den ena personen lyfter i änden med pelletstanken och den andra personen lyfter i andra änden. Se illustration 6B.
- Öppna sedan locket på huvudbehållaren. Roter så att skruvhålen på huvudbehållaren justeras korrekt efter vagnen. När den sitter på plats fäster du varje ben till huvudbehållaren med tre skruvar, brickor och låsbrickor. Se illustration 6C.



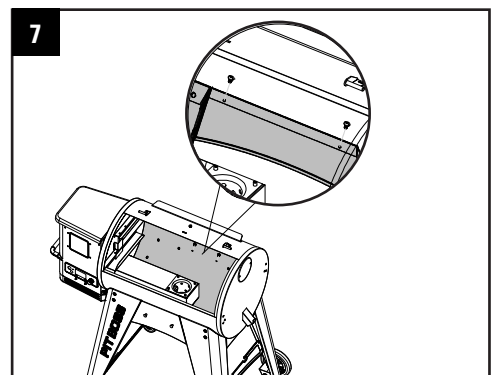
7. FÄSTA STÖDPLATTOR PÅ GRILLEN

Nödvändiga delar:

- 4 x Skruv (#E)

Installation:

- Fäst de långa stödplattorna på huvudbehållaren med två skruvar.



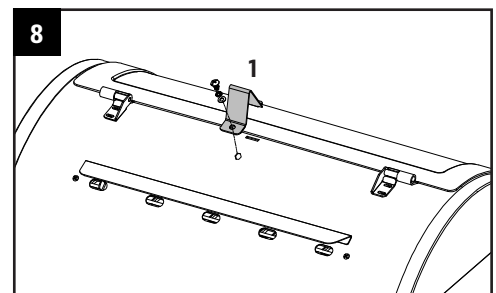
8. INSTALLERA LOCKLÅSET

Nödvändiga delar:

- 1 x Locklås (#1)

Installation:

- Fäst locklåset på huvudbehållarens ovansida med den förinstallerade skruven.



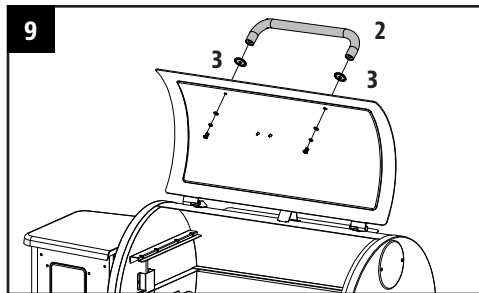
9. INSTALLERA LOCKHANDTAGET

Nödvändiga delar:

- 1 x Lockhandtag (#2)
- 2 x Lockhandtagets infattning (#3)

Installation:

- Ta bort de förinstallerade skruvarna på lockhandtaget. Skruva i en skruv från insidan av behållarens lock så att den sticker ut på framsidan. Sätt en hylsmutter på skruven. Skruva sedan åt skruven för hand (från insidan) i handtaget. Upprepa på andra sidan.



10. INSTALLERA FLAMGRILLSKOMPONENTERNA

Nödvändiga delar:

- 1 x Huvudplatta för flamgrill (#8)
- 1 x Skjutreglage för flamgrill (#7)

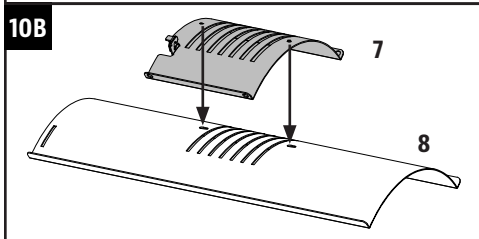
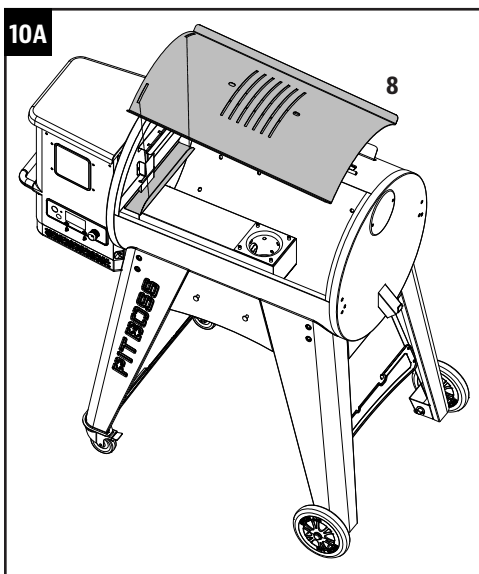
Installation:

- Sätt i flamgrillens huvudplatta i huvudgrillen. Luta flamgrillens huvudplatta mot den inbyggda kanten (på höger insida) på huvudgrillen som styr fettet mot dropphinken. Skjut hela delen åt vänster sida och passa in de två spåren på flamgrillens huvudplatta i den rundande kanten ovanför förbränningskammaren. Den sitter i en något sluttande vinkel. Se illustration 10A.

VIKTIGT! Om huvudplattan vilar mot behållarens bas har den monterats felaktigt. Felaktig montering kan orsaka skada på grillens huvudbehållare.

- Sätt flamgrillens skjutreglage ovanpå huvudplattan så att den täcker de öppna spåren. Se till att den upphöjda fliken sitter till vänster och att de två stiften på undersidan av flamgrillens skjutreglage placeras i hålen på flamgrillens huvudplatta för att du enkelt ska kunna justera direkt eller indirekt låga under grillningen. Båda delarna till flamgrillen är lätt bestrukna med olja för att undvika att delarna angrips av rost under transporten. Se illustration 10B.

OBS! Det är nödvändigt med god skötsel och regelbundet underhåll av grillgallren för att bibehålla goda grillresultat. Se bruksanvisningen.



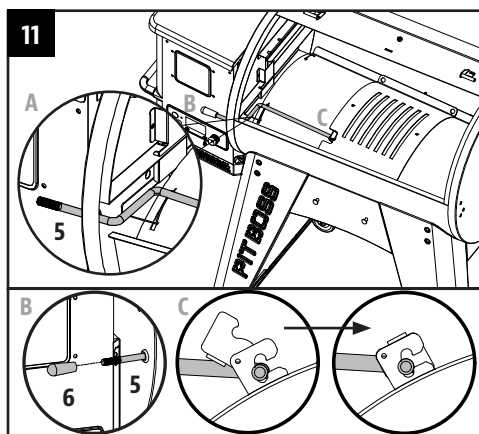
11. INSTALLERA VEVSTAKE FÖR FLAMGRILL

Nödvändiga delar:

- 1 x Vevstake för flamgrill (#5)
- 1 x Handtag till vevstake för flamgrill (#6)

Installation:

- Sätt i flamgrillens vevstake genom öppningshålet på huvudbehållarens vänstra sida. Sätt i vevstakens handtag i änden utanpå behållaren. Skjut sedan in den räfflade änden på vevstaken i läsfliken på skjutreglaget för flamgrillen, så att du kan justera skjutreglaget på huvudplattan.



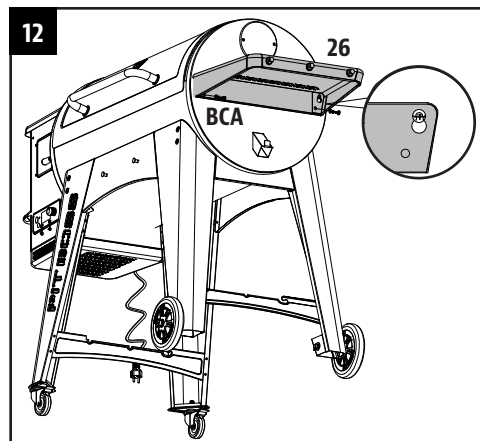
12. INSTALLERA SIDOHYLLAN

Nödvändiga delar:

- 1 x Höger sidobord (#26)
- 2 x Skruv (#A)
- 2 x Bricka (#B)
- 2 x Låsbricka (#C)

Installation:

- Lossa de två förinstallerade skruvarna på sidan av huvudbehållaren. Häng först upp sidohyllan på skruvarna och skruva sedan åt dem.
- Fäst sidohyllan på huvudbehållarens sidopanel underifrån med två skruvar, brickor och låsbrickor.



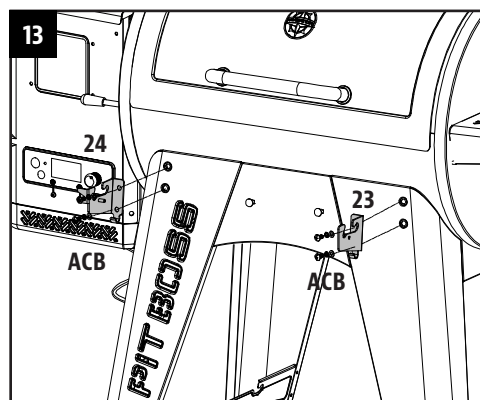
13. MONTERA FÄSTEN TILL FRAMHYLLA

Nödvändiga delar:

- 1 x Höger fäste till framhylla (#23)
- 1 x Vänster fäste till framhylla (#24)
- 4 x Skruv (#A)
- 4 x Bricka (#B)
- 4 x Låsbricka (#C)

Installation:

- Montera framhyllans fästen på det främre stödbenet med två skruvar, brickor och låsbrickor.



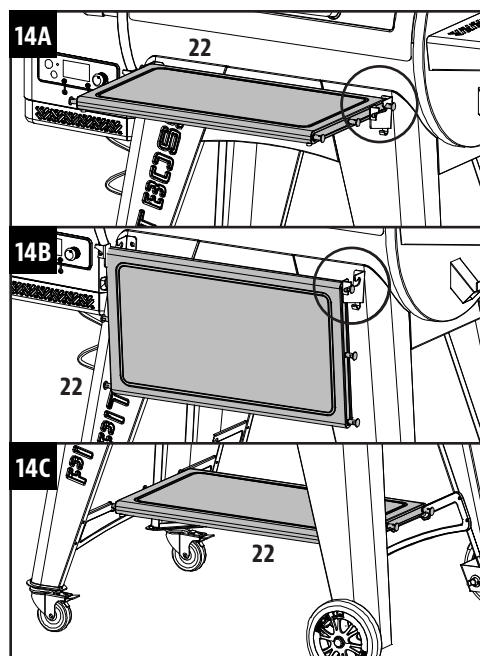
14. INSTALLERA FRAMHYLLAN

Nödvändiga delar:

- 1 x Framhylla (#22)

Installation:

- Placera framhyllan på fästena. Se illustration 14A för uppfälld framhylla.
- Se illustration 14B för nedfälld framhylla.
- Framhyllan kan även placeras på bottenplattorna och användas som bottenhylla. Se illustration 14C.



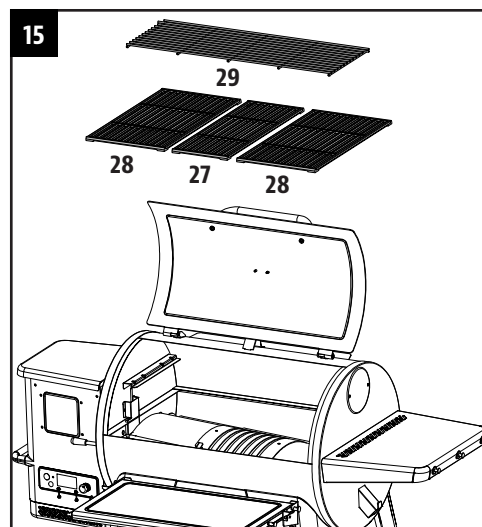
15. INSTALLERA GRILLKOMPONENTERNA

Nödvändiga delar:

- 1 x Grillgaller A (#27)
- 2 x Grillgaller B (#28)
- 1 x Uppvärmingsgaller (#29)

Installation:

- Sätt grillgallren sida vid sida på gallerkanten inuti huvudgrillen.
- Sätt det övre grillgallret på den övre gallerkanten inuti huvudgrillen. Uppvärmingsgallret låses på plats.



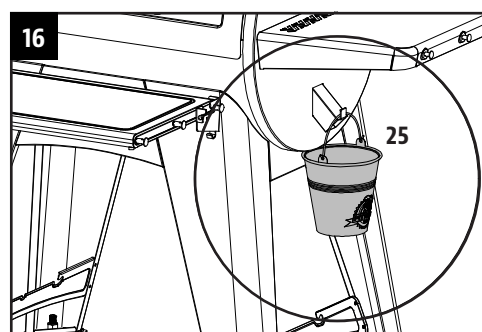
16. INSTALLERA DROPPHINK

Nödvändiga delar:

- 1 x Dropphink (#25)

Installation:

- Häng upp dropphinken på metallkroken på huvudbehållarens ände. Se till att den är i nivå för att undvika spill.
- Enheten är nu färdigmonterad.



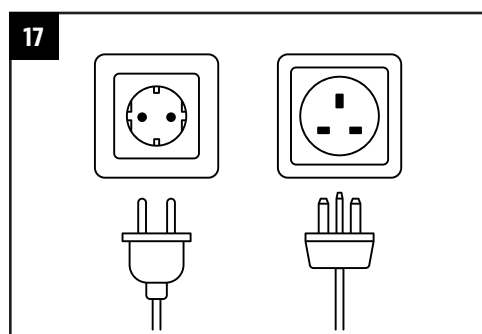
17. ANSLUTA TILL EN STRÖMKÄLLA

OBS! Innan du ansluter Pit Boss®-enheten till ett elektriskt uttag säkerställer du att temperaturreglaget är i läget OFF.

- **STANDARDUTTAG**
Den här apparaten kräver 220–240 volt, 50 Hz, 250 W. Det måste vara jordad kontakt.

VIKTIGT! Koppla ur enheten från strömkällan när den inte används.

VIKTIGT! Se användningsinstruktionerna i bruksanvisningen





AUTORIÕIGUSE TEATIS

Autoriõigus 2021. Kõik õigused kaitstud. Ühtegi selle juhendi osa ei tohi mingil kujul ega mingil viisil kopeerida, edastada, transkribeerida ega salvestada ilma sellekohase kirjaliku loata

Dansons

3411 North 5th Avenue, Suite 500, Phoenix, AZ, USA 85013
sales@pitboss-grills.com | service@pitboss-grills.com
www.pitboss-grills.com

Klienditeenindus

Esmaspäevast pühapäevani kell 4.00–20.00 PST (EN/FR/ES)
Tasuta: 1-877-303-3134; faks: 1-877-303-3135

SISUKORD

Osad ja andmed	100
Kokkupanekuks ettevalmistamine	102
Kokkupanekujuhised	
Jalgade kinnitamine tugijalgade külge.....	102
Tugiplaatide ja rullikrataste kinnitamine	102
Tugiplaatide ja rataste kinnitamine.....	103
Tugiplaadi kinnitamine rataste tugijalgade külge	103
Tugiplaadi kinnitamine rullikute tugijalgade külge.....	103
Peatrumli kinnitamine kärule.....	104
Tugiplaatide kinnitamine grilli külge.....	104
Kaanetoe paigaldamine.....	104
Kaane käepideme paigaldamine	105
Leegihajuti komponentide paigaldamine	105
Leegihajuti kohendamisvarda paigaldamine.....	105
Külgriuli paigaldamine.....	106
Esiriuli klambrite kinnitamine	106
Esiriuli paigaldamine	106
Grilli küpsetuskomponentide paigaldamine.....	107
Rasvaambri paigaldamine	107
Toiteallikaga ühendamine.....	107

OSAD JA ANDMED

Osa nr	Kirjeldus
1	Kaanetugi (1 tk)
2	Kaane käepide (1 tk)
3	Kaane käepideme võru (2 tk)
4	Põhitrumli/punkri koost (1 tk)
5	Leegihajuti kohendamisvarras (1 tk)
6	Leegihajuti kohendamisvarda käepide (1 tk)
7	Leegihajuti kelk (1 tk)
8	Leegihajuti põhiplaat (1 tk)
9	Vasak esiajalg (1 tk)
10	Vasak tagajalg (1 tk)
11	Parem esialg (1 tk)
12	Parem tagajalg (1 tk)
13	Vasaku esijala kinnitustükk (1 tk)
14	Vasaku tagajala kinnitustükk (1 tk)
15	Piduriga pöödrullik (2 tk)
16	Ratas (2 tk)
17	Parem alumine tugiplaat (1 tk)
18	Vasak alumine tugiplaat (1 tk)
19	Lühike tugiplaat (2 tk)
20	Eesmine pikk tugiplaat (1 tk)
21	Tagumine pikk tugiplaat (1 tk)
22	Esiriul (1 tk)
23	Esiriuli parempoolne klamber (1 tk)
24	Esiriuli vasakpoolne klamber (1 tk)
25	Rasvaämber (1 tk)
26	Parempoolne külglaud (1 tk)
27	Küpsetusrest A (1 tk)
28	Küpsetusrest B (2 tk)
29	Soojendusrest (1 tk)
30	Lihasond (1 tk)

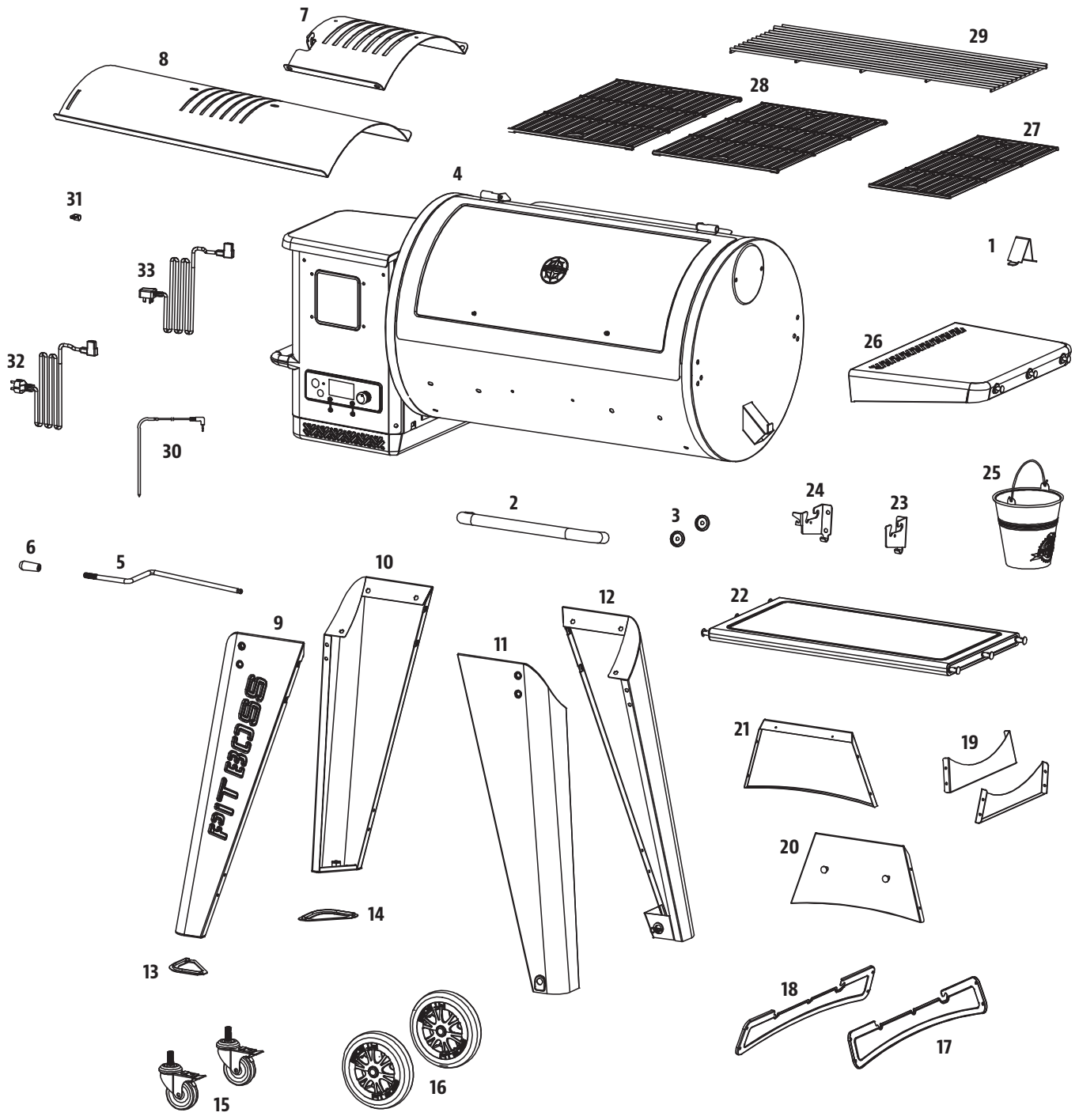
Osa nr	Kirjeldus
31	Toitekaabli klamber (1 tk)
32	Toitekaabel – F-pistik (1 tk)
33	Toitekaabel – G-pistik (1 tk)
A	Kruvi (18 tk)
B	Seib (18 tk)
C	Lukustusseib (18 tk)
D	Kruvi (30 tk)
E	Kruvi (4 tk)
F	Rattatelje tihvt (2 tk)
G	Ratta splint (2 tk)
H	Ratta seib (2 tk)

MÄRKUS! Pideva tootearenduse tõttu võivad osad muutuda ilma ette teatamata. Kui seadme koostamisel jääb osasid puudu, pöörduge klienditeeninduse poole

PB – ELEKTRINÕUDED
220-240 V, 50 Hz, 250 W, MAANDATUD PISTIK

Joonis on järgmisel lehel.

MUDEL	KOOSTATUD SEADE (LxKxS)	SEADME KAAL	KÜPSETUSALA	TEMPERATUURIVAHEMIK	NUMBRILISED FUNKTSIOONID
PB PB850G	1472mm x 1195mm x 940mm / 57,9" x 47" x 37"	74,5 kg / 164,24 naela	Põhiala - 3825,8 cm ² / 593 ruuttolli Ülemine raam- 1845,2 cm ² / 286 ruuttolli KOKKU - 5671 cm² / 879 ruuttolli	82-260°C / 180-500°F	Kümme eelseatud temperatuuri, käivitus- ja jahutussüklid, elektrisüüteseade



KOKKUPANEKUKS ETTEVALMISTAMINE

Osad asuvad kogu tarnekarbis, ka grilli all. Pärast kaitsva tarnekarbi eemaldamist kontrollige grilli, osaid ja kinnitusdetailide mullipakendit. Enne kokkupanekut eemaldage grilli välised ja sisemised pakendimaterjalid, seejärel vaadake läbi ja kontrollige kõiki osi, lähtudes osade loendist. Kui mõni osa puudub või on kahjustatud, ärge proovige seadet kokku panna. Transpordikahju ei kuulu garantii alla. Varuosade saamiseks pöörduge edasimüüja või ettevõtte Pit Boss® klienditeeninduse poole esmaspäevast pühapäevani kell 4.00–20.00 PST (EN/FR/ES).

service@pitboss-grills.com | Tasuta: 1-877-303-3134 | Taks: 1-877-303-3135

TÄHTIS! Selle seadme hõlpsamaks paigaldamiseks ja vigastuste vältimiseks pange see seade kokku kahe inimese poolt.

Paigaldamiseks vajalikud tööriistad: on kruvikeeraja ja lood. Tööriistad ei kuulu komplekti.



KOKKUPANEKUJUHISED

IMPORTANT: It is advised to read each step entirely before starting assembly on instructions. Do not tighten screws completely until all screws for that step have been installed. Hardware combination involving a locking washer and washer should be installed with the locking washer closest to the head of the screw.

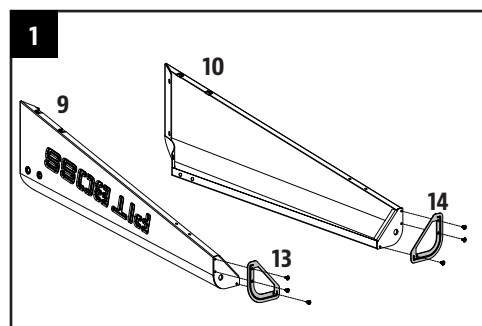
1. JALGADE KINNITAMINE TUGIJALGADE KÜLGE

Vajalikud osad:

- 1 x Vasak esijalg (#9)
- 1 x Vasak tagajalg (#10)
- 1 x Vasaku esijala kinnitustükk (#13)
- 1 x Vasaku tagajala kinnitustükk (#14)
- 6 x Kruvi (#D)

Paigaldus:

- Kasutage kolme kruvi, et kinnitada vasakpoolne esijala kinnitustükk rullikuratta lukustamiseks vasakpoolse esijala külge. Jätkake vasakpoolse tagajala paigaldamisega rullikuratta ja vasakpoolse tagajala kinnitustüki lukustamiseks.



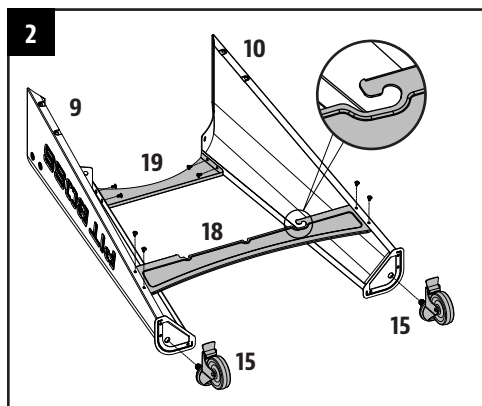
2. TUGIPLAATIDE JA RULLIKRATASTE KINNITAMINE

Vajalikud osad:

- 1 x Vasak esijalg (#9)
- 1 x Vasak tagajalg (#10)
- 1 x Vasak alumine tugiplaat (#18)
- 1 x Lühike tugiplaat (#19)
- 2 x Piduriga pöördrullik (#15)
- 8 x Kruvi (#D)

Paigaldus:

- Paigaldage üks lühike tugiplaat nelja kruvi abil seadme külje külge esi- ja tagajala vahel. Korrake samasugust paigaldamist, et kinnitada alumine tugiplaat samade jalgade külge.
- Paigaldage lukustatavad rullikurattad käsitsi iga tugijala alla ja keerake kinni. Veenduge, et lukustatav rullikuratas oleks täielikult oma pesa sisestatud ja seda ei saaks rohkem keerata.



MÄRKUS! Veenduge, et alumine tugiplaat oleks paigaldatud õiget pidi.

3. TUGIPLAATIDE JA RATASTE KINNITAMINE

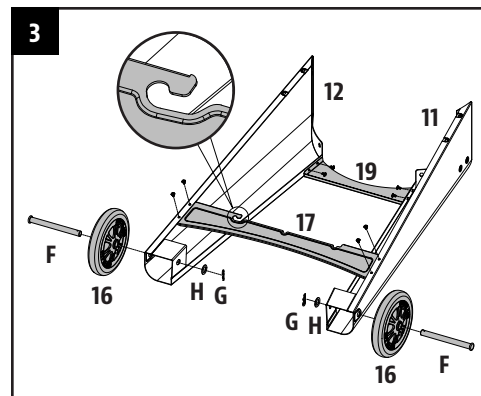
Vajalikud osad:

- 1 x Parem esijalg (#11)
- 1 x Parem tagajalg (#12)
- 1 x Parem alumine tugiplaat (#17)
- 1 x Lühike tugiplaat (#19)
- 2 x Ratas (#16)
- 8 x Krugi (#D)
- 2 x Rattatelje tihvt (#F)
- 2 x Ratta splint (#G)
- 2 x Ratta seib (#H)

Paigaldus:

- Paigaldage üks lühike tugiplaat nelja kruvi abil seadme külge külge esi- ja tagajala vahel. Korrake samasugust paigaldamist, et kinnitada alumine tugiplaat samade jalgade külge.
- Kinnitage suur ratas tugijala külge, sisestades rattatelje tihvti läbi ratta tugijala augu, ja kinnitage ratta splindiga. Korrake sama toimingut sama külge teise rattaga.

MÄRKUS! Veenduge, et alumine tugiplaat oleks paigaldatud õiget pidi.



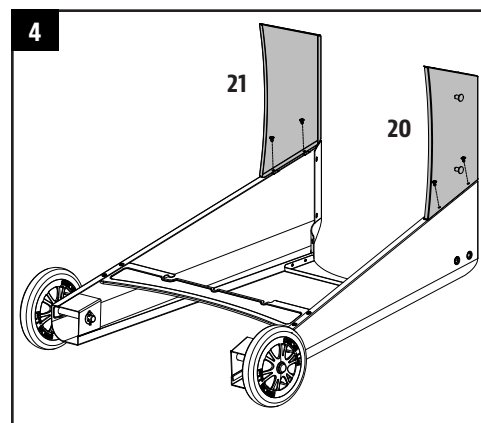
4. TUGIPLAADI KINNITAMINE RATASTE TUGIJALGADE KÜLGE

Vajalikud osad:

- 1 x Eesmine pikk tugiplaat (#20)
- 1 x Tagumine pikk tugiplaat (#21)
- 4 x Krugi (#D)

Paigaldus:

- Kinnitage üks pikk tugiplaat kahte kruvi kasutades ühe ratta tugijala külge. Paigaldage tugiplaadi lame pind ülespoole. Korrake sama toimingut, et kinnitada teine pikk tugiplaat teise tugijalga külge.



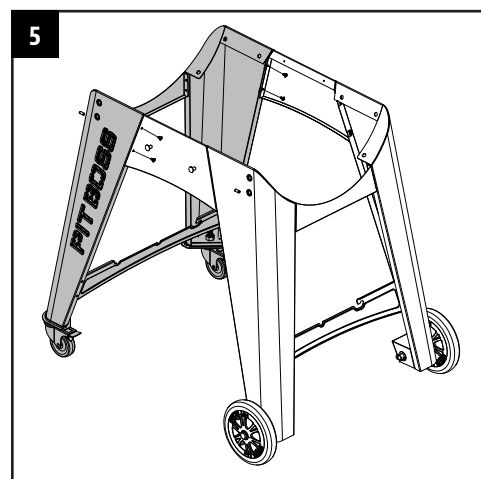
5. TUGIPLAADI KINNITAMINE RULLIKUTE TUGIJALGADE KÜLGE

Vajalikud osad:

- 4 x Krugi (#D)

Paigaldus:

- Järgmiseks kinnitage pikad tugiplaadid rullikurataste tugijalgade külge. Kinnitage iga plaat kahe kruviga.



6. PEATRUMLI KINNITAMINE KÄRULE

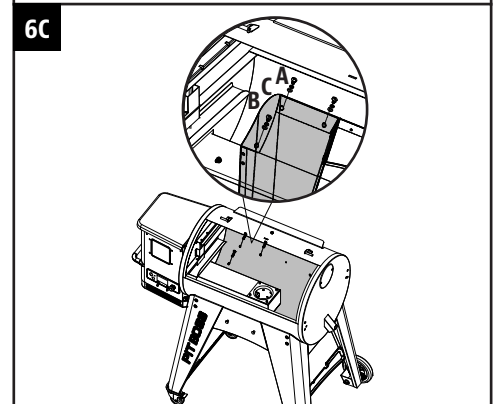
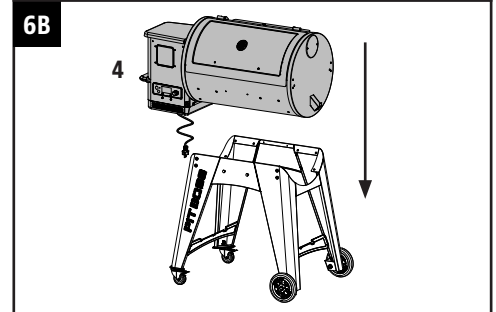
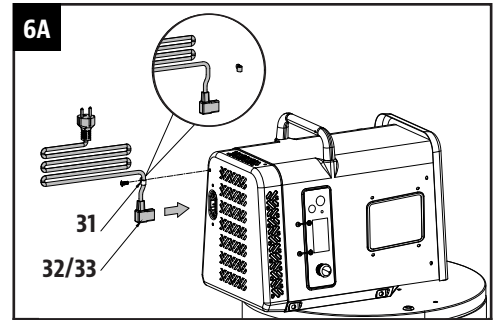
Vajalikud osad:

- 1 x Põhitrumli/punkri koost (#4)
- 12 x Kruvi (#A)
- 12 x Seib (#B)
- 12 x Lukustusseib (#C)
- 1 x Toitekaabel (#32 või #33)
- 1 x Kaabliklambrid (#31)

Paigaldus:

MÄRKUS. Kaasas on kaks toitekaablit. Valige toitekaabel, mis on vajalik teie piirkonnas.

- Paigaldage kaabliklambrid õigele toitejuhtmele. Sisestage toitejuhe punkri all olevasse soonde. Kinnitage kaabliklamber punkri alla eelnevalt paigaldatud kruviga. Vt joonist 6A.
- Valmistage peatrummel kärule kinnitamiseks ette. Tõstke kärü ettevaatlikult püsti nii, et rattad jääksid maapinnale. Asetage kärü peatrumli juurde nii, et mõlemad jääksid samasse suunda. Lukustage kärü rullikrattad. Kasutage teise inimese abi ja valmistuge tõstma peatrumlit kärule. Üks inimene peab tõstma punkripoolsest küljest ja teine vastasküljel asuvast trumliotsast ning asetage peatrummel aeglaselt kärule. Vt joonist 6B.
- Järgmiseks avage peatrumli kaas. Vajadusel kohendage pöörates asendit, et kruviavad peatrumlil kattuksid kärü omadega. Kui peatrummel on kohale pandud, kinnitage see kõigi jalgade külge, kasutades kolme kruvi, seibe ja lukustusseibe. Vt joonist 6C.



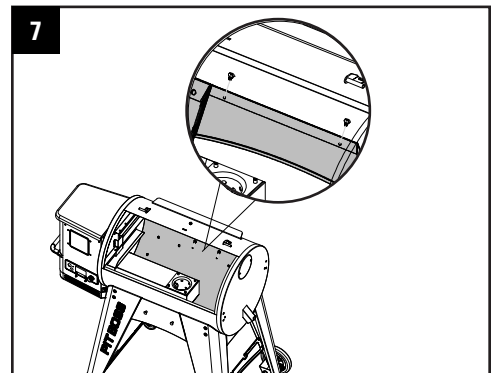
7. TUGIPLAATIDE KINNITAMINE GRILLI KÜLGE

Vajalikud osad:

- 4 x Kruvi (#E)

Paigaldus:

- Kinnitage kõik pikad tugiplaadid peatrumli külge, kasutades kahte kruvi.



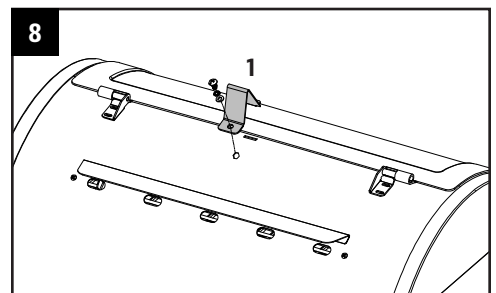
8. KAANETOE PAIGALDAMINE

Vajalikud osad:

- 1 x Kaanetugi (#1)

Paigaldus:

- Kinnitage kaanetugi peatrumli ülaosa külge, kasutades selleks peatrumli ülaosale eelnevalt paigaldatud kruvi.



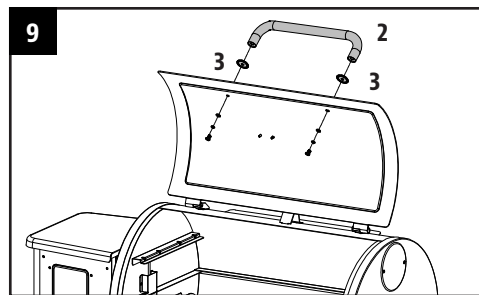
9. KAANE KÄEPIDEME PAIGALDAMINE

Vajalikud osad:

- 1 x Kaane käepide (#2)
- 2 x Kaane käepideme võru (#3)

Paigaldus:

- Eemaldage kaane käepidemest eelnevalt paigaldatud kruvid. Sisestage trumlikaane seest üks kruvi, et see ulatuks välja. Lisage kruvi külge võru. Seejärel keerake kruvi (seestpoolt) käsitsi kaane käepidemesse. Korrake teisel küljel.



10. LEEGIHAJUTI KOMPONENTIDE PAIGALDAMINE

Vajalikud osad:

- 1 x Leegihajuti põhiplaat (#8)
- 1 x Leegihajuti kelk (#7)

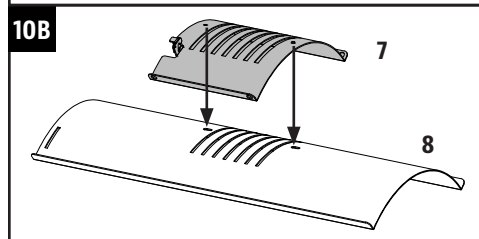
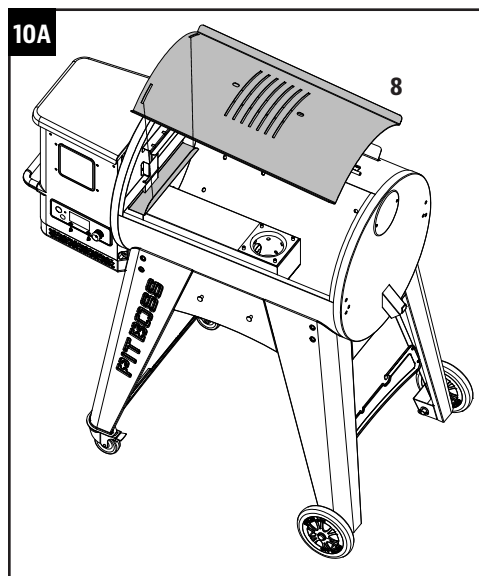
Paigaldus:

- Sisestage leegihajuti põhiplaat põhigrilli. Toetage leegihajuti põhiplaat põhigrilli sisseehitatud servale (paremal siseküljel), mis juhhib rasva rasvaambri tila suunas. Libistage kogu koost vasakule ja leegihajuti põhiplaadi kaks pilu sobituvad ümardatud servale tulekolde kohal. See sobitub veidi allasuunatud nurga all. Vt joonist 10A.

TÄHTIS! Kui leegihajuti põhiplaat asub trumli põhjas, on see valesti paigaldatud. Halb paigaldus võib teie grilli peatrumlit kahjustada.

- Asetage leegihajuti kelk leegihajuti põhiplaadile, kattes piluavad. Veenduge, et ülestõstetud konks oleks vasakul ja kaks tihvti leegihajuti kelgu all istuksid avadesse leegihajuti põhiplaadil, et küpsetamisel hõlsalt otsest ja kaudset leeki kohandada. Leegihajuti mõlemad osad on kergelt kaetud õliga, et vältida roostetamist tarnimise ajal. Vt joonist 10B.

MÄRKUS! Küpsetusvõrede pruunistus- ja grillimisjõudluse säilitamiseks on vajalik regulaarne korrashoid ja hooldus. Vt kasutusjuhendit.



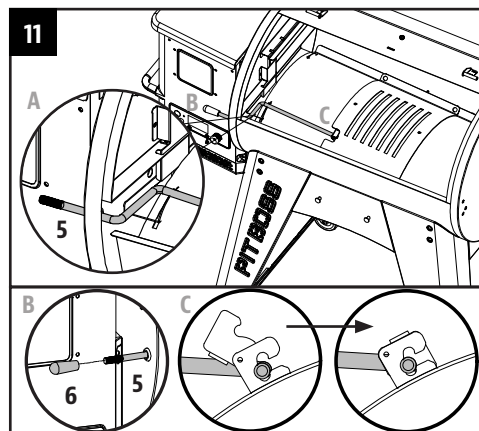
11. LEEGIHAJUTI KOHENDAMISVARDA PAIGALDAMINE

Vajalikud osad:

- 1 x Leegihajuti kohendamisvarras (#5)
- 1 x Leegihajuti kohendamisvarda käepide (#6)

Paigaldus:

- Sisestage leegihajuti kohendamisvarras läbi ava peatrumli vasakul küljel. Lisage leegihajuti kohendamisvarda käepide trumlist väljaulatuvale osale. Järgmisena libistage kohandamisvarda sälguga ots lukustusmehhanismi leegihajuti kelgu küljes, millega saate kohandamiseks pääsu leegihajuti kelgule põhiplaadil.



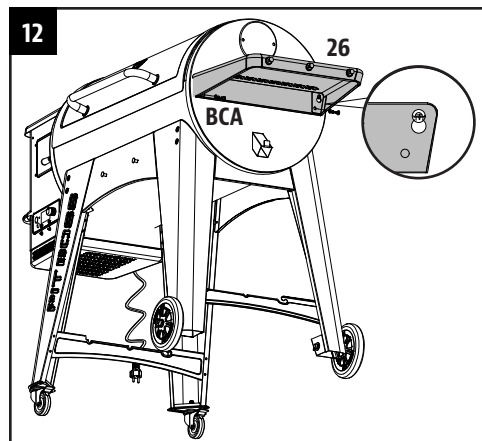
12. KÜLGRIIULI PAIGALDAMINE

Vajalikud osad:

- 1 x Parempoolne külglaud (#26)
- 2 x Kruvi (#A)
- 2 x Seib (#B)
- 2 x Lukustusseib (#C)

Paigaldus:

- Eemaldage peatrumlist kaks eelnevalt paigaldatud kruvid. Kõigepealt ühendage külgriiul kruvide külge ja seejärel kinnitage kaks lahti keeratud kruvi paika.
- Kinnitage külgriiul peatrumli külgpaneelile, kasutades kahte kruvi, seibe ja lukustusseibe.



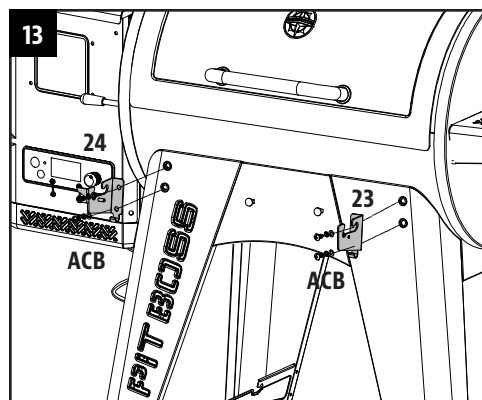
13. ESIRIILI KLAMBRITE KINNITAMINE

Vajalikud osad:

- 1 x Esiriili parempoolne klamber (#23)
- 1 x Esiriili vasakpoolne klamber (#24)
- 4 x Kruvi (#A)
- 4 x Seib (#B)
- 4 x Lukustusseib (#C)

Paigaldus:

- Kinnitage iga esiriili tugiklamber eesmise tugijala külge, kasutades kahte kruvi, seibe ja lukustusseibe.



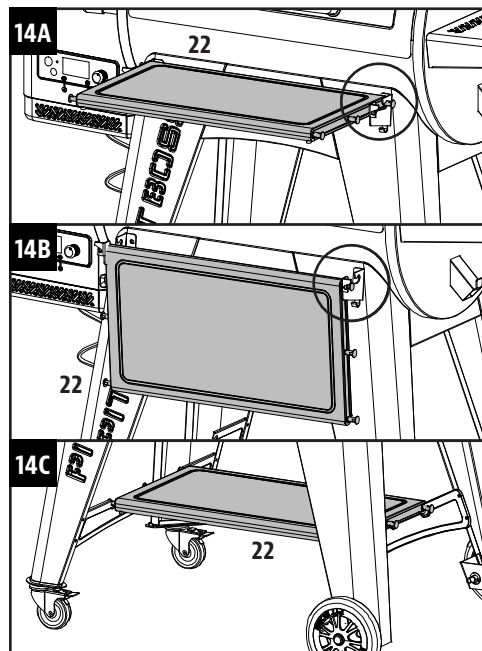
14. ESIRIILI PAIGALDAMINE

Vajalikud osad:

- 1 x Esiriil (#22)

Paigaldus:

- Asetage esiriil esiriili tugiklambritele. Vt avatud esiriilit jooniselt 14A.
- Vt kokkuklapitud esiriilit jooniselt 14B.
- Esiriili saab asetada ka alumistele tugiplaatidele ja kasutada alumise plaadina. Vt joonist 14C.



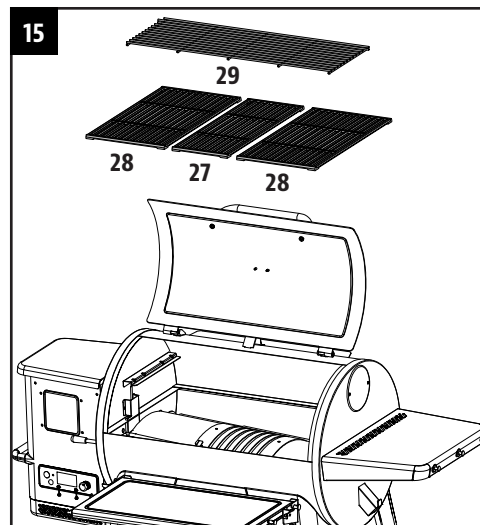
15. GRILLI KÜPSETUSKOMPONENTIDE PAIGALDAMINE

Vajalikud osad:

- 1 x Küpsetusrest A (#27)
- 2 x Küpsetusrest B (#28)
- 1 x Soojendusrest (#29)

Paigaldus:

- Asetage küpsetusvõred kõrvuti põhigrilli sees olevale grilliservale.
- Asetage ülemine küpsetusraam põhigrilli sees olevale ülemisele servale. Soojendusrest lukustub omale kohale.



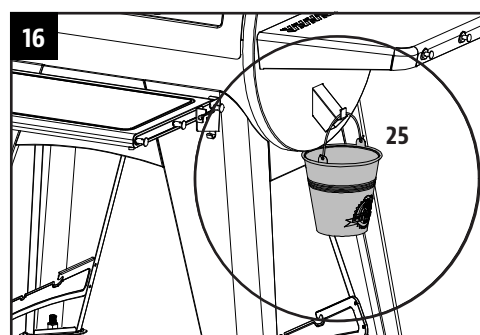
16. RASVAÄMBRI PAIGALDAMINE

Vajalikud osad:

- 1 x Rasvaämber (#25)

Paigaldus:

- Asetage rasvaämber põhitrumli otsa tilakonksule. Rasva mahamineku vältimiseks veenduge, et rasvaämber oleks loodis.
- Seade on nüüd täielikult kokku pandud.



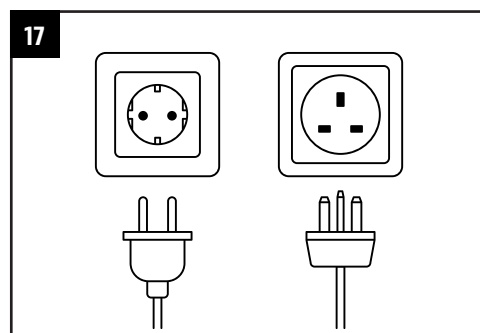
17. TOITEALLIKAGA ÜHENDAMINE

MÄRKUS! Enne toote Pit Boss® ühendamist mis tahes pistikupesaga veenduge, et temperatuuri pöödnupp oleks asendis OFF (VÄLJAS).

- **STANDARDPESA**
Selle seadme tööks on vaja 220–240 V, 50 Hz, 250 W. See peab olema maandusega pistik

TÄHTIS! Kui seadet ei kasutata, lahutage seade toiteallikast.

TÄHTIS! Vt kasutusjuhiseid kasutusjuhendist.





PAZIŅOJUMS PAR AUTORTIESĪBĀM

Autortiesības 2021. Visas tiesības paturētas. Nevienu šīs rokasgrāmatas daļu nedrīkst nekādā veidā un ne ar kādiem līdzekļiem kopēt, pārsūtīt, ierakstīt vai glabāt izgūšanas sistēmā bez tiešas rakstiskas atļaujas no uzņēmuma

Dansons

3411 North 5th Avenue, Suite 500, Phoenix, AZ, USA 85013
sales@pitboss-grills.com | service@pitboss-grills.com
www.pitboss-grills.com

Klientu apkalpošanas nodaļa

Pirmdien-svētdien no plkst. 4.00 līdz 20.00 pēc PST (Klusā okeāna piekrastes joslas laika) (EN/FR/ES)

Bezmaksas tālrunis: 1-877-303-3134, fakss: 1-877-303-3135

SATURA RĀDĪTĀJS

Daļas un specifikācijas	109
Sagatavošana montāžai	111
Montāžas instrukcijas	
Pamatņu piestiprināšana pie atbalsta kājām	111
Atbalsta plākšņu un ritenišu piestiprināšana	112
Atbalsta plākšņu un ritenišu piestiprināšana	112
Atbalsta plāksnes piestiprināšana pie atbalsta kājām ar riteniem	113
Atbalsta plāksnes piestiprināšana pie atbalsta kājām ar ritenišiem	113
Galvenā karkasa uzstādīšana uz ratiņiem	113
Atbalsta plākšņu piestiprināšana grilam	114
Vāka aizmura uzstādīšana	114
Vāka roktura uzstādīšana	114
Grila komponentu uzstādīšana cepšanai liesmās	115
Regulatora uzstādīšana cepšanai liesmās	115
Sānu plaukta uzstādīšana	116
Priekšējā plaukta kronšteinu piestiprināšana	116
Priekšējā plaukta uzstādīšana	116
Grila gatavošanas komponentu uzstādīšana	117
Taukvielu spaiņa uzstādīšana	117
Pievienošana strāvas avotam	117

DAĻAS UN SPECIFIKĀCIJAS

Daļas Nr.	Apraksts
1	Vāka aizturis (x1)
2	Vāka rokturis (x1)
3	Vāka roktura slīpā mala (x2)
4	Galvenā karkasa/tvertnes montāža (x1)
5	Regulators cepšanai liesmās (x1)
6	Regulatora rokturis cepšanai liesmās (x1)
7	Slīdnis cepšanai liesmās (x1)
8	Galvenā plāksne cepšanai liesmās (x1)
9	Priekšējā kreisā kāja (x1)
10	Aizmugurējā kreisā kāja (x1)
11	Priekšējā labā kāja (x1)
12	Aizmugurējā labā kāja (x1)
13	Priekšējās kreisās kājas apdares plāksne (x1)
14	Aizmugurējās kreisās kājas apdares plāksne (x1)
15	Grozāmais ritenītis ar bremzēm (x2)
16	Riteni (x2)
17	Apakšējā labā atbalsta plāksne (x1)
18	Apakšējā kreisā atbalsta plāksne (x1)
19	Īsā atbalsta plāksne (x2)
20	Priekšējā garā atbalsta plāksne (x1)
21	Aizmugurējā garā atbalsta plāksne (x1)
22	Priekšējais plaukts (x1)
23	Priekšējā plaukta labais kronšteins (x1)
24	Priekšējā plaukta kreisais kronšteins (x1)
25	Taukvielu spainis (x1)
26	Labais sānu plaukts (x1)
27	Gatavošanas režģis A (x1)
28	Gatavošanas režģis B (x2)
29	Sildīšanas paliktnis (x1)
30	Ģaļas zonde (x1)

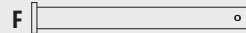
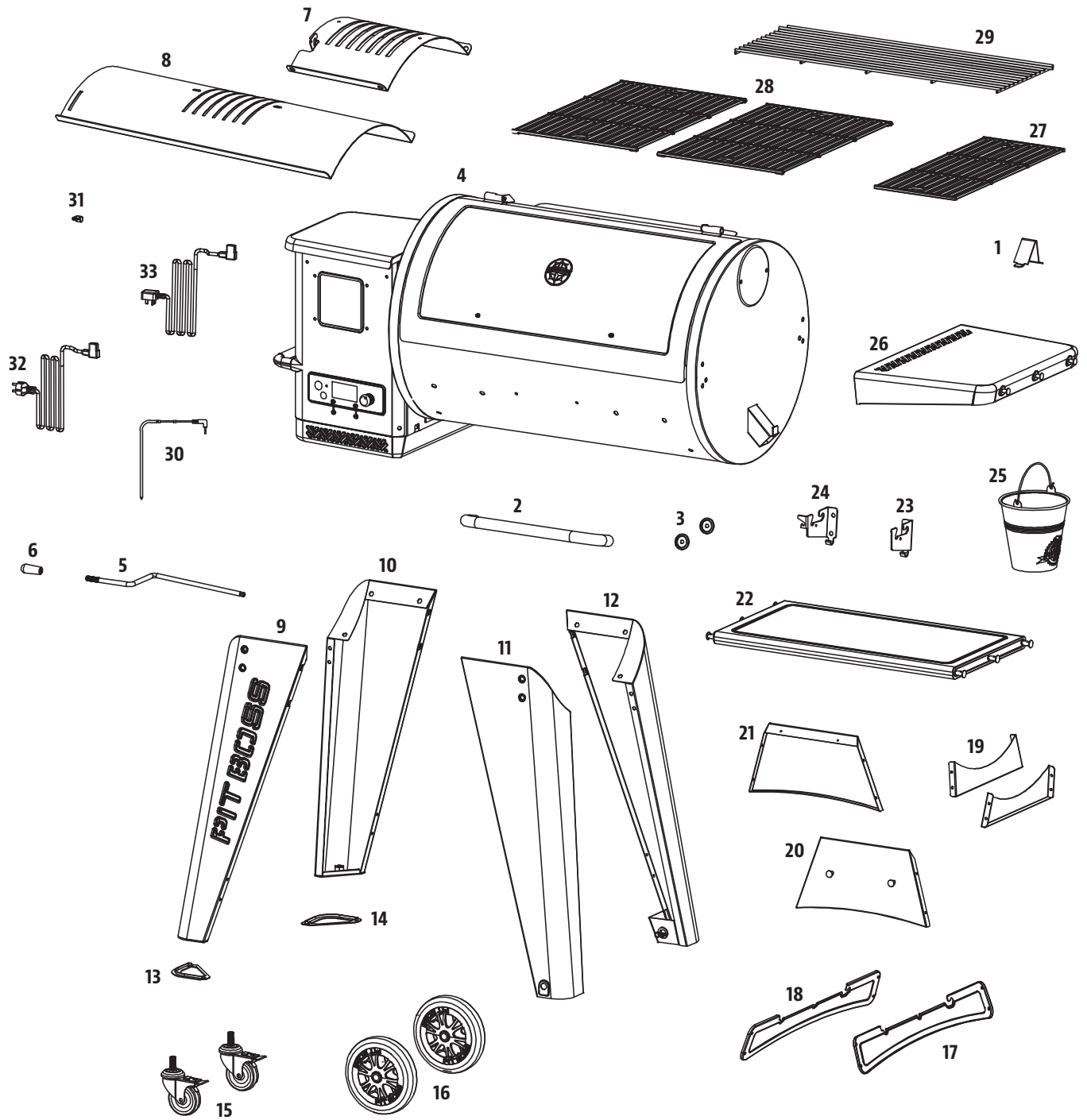
Daļas Nr.	Apraksts
31	Strāvas vada saspraude (x1)
32	Strāvas vads — F kontaktdakša (x1)
33	Strāvas vads — G kontaktdakša (x1)
A	Skrūve (x18)
B	Paplāksne (x18)
C	Fiksācijas paplāksne (x18)
D	Skrūve (x30)
E	Skrūve (x4)
F	Riteņa ass tapa (x2)
G	Riteņa šķeltapa (x2)
H	Riteņa paplāksne (x2)

PIEZĪME. Tā kā izstrādājumi tiek pastāvīgi pilnveidoti, daļām var tikt veiktas izmaiņas bez iepriekšēja paziņojuma. Ja, montējot ierīci, kādas daļas trūkst, sazinieties ar klientu apkalpošanas dienestu.

PB – ELEKTRĪBAS PRASĪBAS
220-240 V, 50 Hz, 250 W, IEZEMĒTS SPRAUDNIS

Shematiskais attēls ir sniegts nākamajā lapā.

MODELIS	SAMONTĒTA IERĪCE (PxAxD)	IERĪCES SVARS	GATAVOŠANAS ZONA	TEMP. DIAPAZONS	DIGITĀLĀS FUNKCIJAS
PB PB850G	1472mm x 1195mm x 940mm / 57,9" x 47" x 37"	74,5 kg / 164,24 mārc	Galvenā - 3825,8 cm ² / 593 kvadrātcollas Augšējais plaukts - 1845,2 cm ² / 286 kvadrātcollas KOPĀ - 5671 cm² / 879 kvadrātcollas	82-260°C / 180-500°F	Desmit temperatūras priekšiestatījumi, palāides un dzesēšanas cikli, elektriskais deglis



SAGATAVOŠANA MONTĀŽAI

Daļas ir izvietotas visā kartona pārvadāšanas kastē, tostarp zem grila. Pārbaudiet grilu, daļas un metāla izstrādājumu blisteriepakojumu pēc izņemšanas no aizsargkartona pārvadāšanas kastes. Pirms montāžas izņemiet no iepakojuma visus materiālus — gan grilā gan ārpus tā — un pēc tam pārskatiet un pārbaudiet visas daļas atbilstoši daļu sarakstam. Ja kādas daļas trūkst vai tā ir bojāta, nemēģiniet to samontēt. Garantija neattiecas uz bojājumiem, kas radušies pārvadāšanas laikā. Informāciju par daļām lūdziet dilerim vai Pit Boss® klientu apkalpošanas nodaļai: pirmsdien-svētdien no plkst. 4.00 līdz 20.00 pēc PST (Klusā okeāna piekrastes joslas laika) (EN/FR/ES).

service@pitboss-grills.com | Bezmaksas tālrunis: 1-877-303-3134 | fakss: 1-877-303-3135

SVARĪGI! Lai atvieglotu uzstādīšanu un izvairītos no traumām, ierīces montāžu veiciet divatā.

Montāžai nepieciešamie instrumenti: skrūvgriezis un limeņrādis. *Instrumenti nav iekļauti komplektācijā.*



MONTĀŽAS INSTRUKCIJAS

SVARĪGI! Pirms montāžas sākšanas saskaņā ar instrukcijām ieteicams pilnībā izlasīt katras darbības aprakstu. Pievelciet skrūves līdz galam tikai pēc visu attiecīgajai darbībai nepieciešamo skrūvju uzstādīšanas. Metāla izstrādājumu kombinācija, kas ietver fiksācijas paplāksni un paplāksni, jāuzstāda tā, lai fiksācijas paplāksne atrastos pēc iespējas tuvāk skrūves galvai.

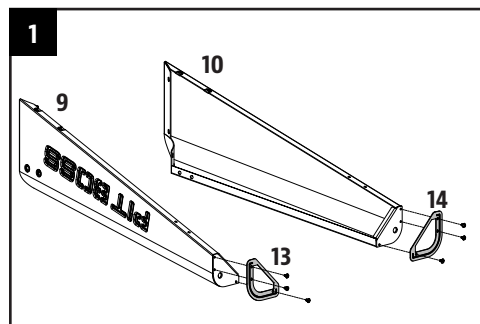
1. PAMATŅU PIESTIPRINĀŠANA PIE ATBALSTA KĀJĀM

Nepieciešamās daļas:

- 1 x Priekšējā kreisā kāja (#9)
- 1 x Aizmugurējā kreisā kāja (#10)
- 1 x Priekšējās kreisās kājas apdares plāksne (#13)
- 1 x Aizmugurējās kreisās kājas apdares plāksne (#14)
- 6 x Skrūve (#D)

Uzstādīšana:

- Izmantojiet trīs skrūves, lai piestiprinātu priekšējās kreisās kājas apdares plāksni priekšējai kreisajai kājai, kurai paredzēts piestiprināt ritenīti ar bloķētāju. Šo pašu darbību veiciet ar aizmugurējās kreisās kājas apdares plāksni un aizmugurējo kreiso kāju, kurai paredzēts piestiprināt ritenīti ar bloķētāju.



2. ATBALSTA PLĀKŠŅU UN RITENIŠU PIESTIPRINĀŠANA

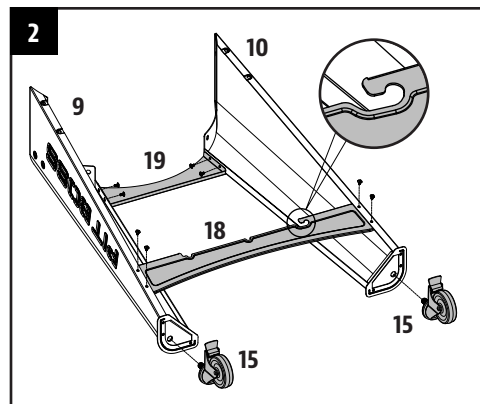
Nepieciešamās daļas:

- 1 x Priekšējā kreisā kāja (#9)
- 1 x Aizmugurējā kreisā kāja (#10)
- 1 x Apakšējā kreisā atbalsta plāksne (#18)
- 1 x Īsā atbalsta plāksne (#19)
- 2 x Grozāmais ritenītis ar bremsēm (#15)
- 8 x Skrūve (#D)

Uzstādīšana:

- Ar četrām skrūvēm piestipriniet vienu īso atbalsta plāksni pie ierīces malas starp priekšējo un aizmugurējo atbalsta kāju. Atkārtojiet tās pašas uzstādīšanas darbības, lai pie tām pašām kājām piestiprinātu apakšējo atbalsta plāksni.
- Ievietojiet katru ritenīti ar bloķētāju katras atbalsta kājas apakšdaļā esošajā atverē un nostipriniet to, pievelkot ar roku. Pārlicinieties, ka ritenītis ar bloķētāju ir ievietots pilnībā un to vairs nevar pagriezt.

PIEZĪME. Pārlicinieties, ka apakšējā atbalsta plāksne ir novietota pareizā virzienā.



3. ATBALSTA PLĀKŠŅU UN RITEŅU PIESTIPRINĀŠANA

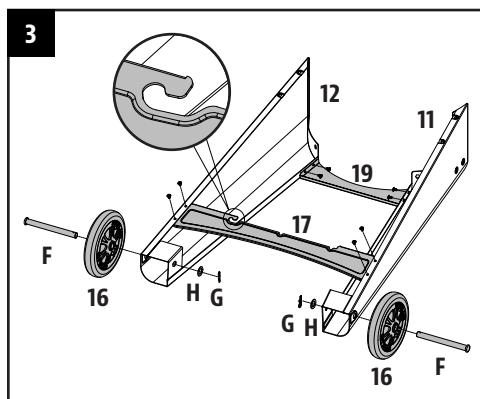
Nepieciešamās daļas:

- 1 x Priekšējā labā kāja (#11)
- 1 x Aizmugurējā labā kāja (#12)
- 1 x Apakšējā labā atbalsta plāksne (#17)
- 1 x Īsā atbalsta plāksne (#19)
- 2 x Riteņi (#16)
- 8 x Skrūve (#D)
- 2 x Riteņa ass tapa (#F)
- 2 x Riteņa šķelttapa (#G)
- 2 x Riteņa paplāksne (#H)

Uzstādīšana:

- Ar četrām skrūvēm piestipriniet vienu īso atbalsta plāksni pie ierīces malas starp priekšējo un aizmugurējo atbalsta kāju. Atkārtojiet tās pašas uzstādīšanas darbības, lai pie tām pašām kājām piestiprinātu apakšējo atbalsta plāksni.
- Pievienojiet lielo riteni pie atbalsta kājas, ievietojot riteņa ass tapu caur riteņa atbalsta kājas atveri, un pēc tam nostipriniet to ar riteņa šķelttapu. Atkārtojiet uzstādīšanas darbības otram ritenim tajā pašā pusē.

PIEZĪME. Pārlicinieties, ka apakšējā atbalsta plāksne ir novietota pareizā virzienā.



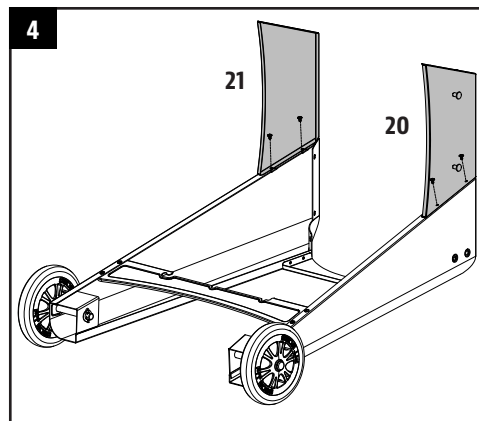
4. ATBALSTA PLĀKSNES PIESTIPRINĀŠANA PIE ATBALSTA KĀJĀM AR RITENIEM

Nepieciešamās daļas:

- 1 x Priekšējā garā atbalsta plāksne (#20)
- 1 x Aizmugurējā garā atbalsta plāksne (#21)
- 4 x Skrūve (#D)

Uzstādīšana:

- Ar divām skrūvēm piestipriniet vienu garo atbalsta plāksni pie vienas atbalsta kājas ar riteni. Pārliecinieties, ka atbalsta plāksnes plakanā puse ir vērsta uz āru. Atkārtojiet tās pašas uzstādīšanas darbības, lai piestiprinātu otru garo atbalsta plāksni pie otras atbalsta kājas.



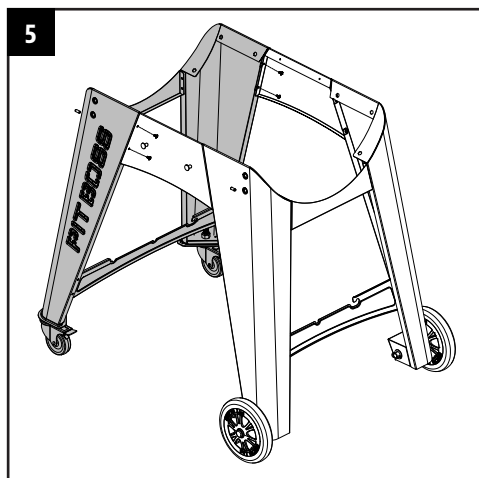
5. ATBALSTA PLĀKSNES PIESTIPRINĀŠANA PIE ATBALSTA KĀJĀM AR RITENIŠIEM

Nepieciešamās daļas:

- 4 x Skrūve (#D)

Uzstādīšana:

- Pēc tam piestipriniet garās atbalsta plāksnes pie atbalsta kājām ar riteniņiem. Nostipriniet savienojumu, katrai plāksnei izmantojot divas skrūves.



6. GALVENĀ KARKASA UZSTĀDĪŠANA UZ RATIŅIEM

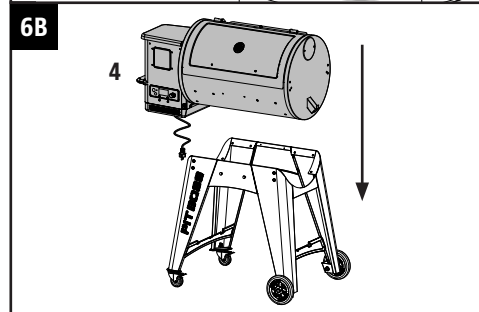
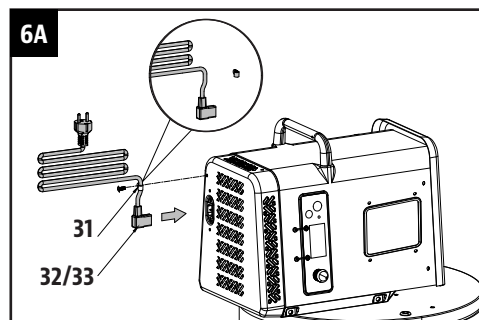
Nepieciešamās daļas:

- 1 x Galvenā karkasa/tvertnes montāža (#4)
- 12 x Skrūve (#A)
- 12 x Paplāksne (#B)
- 12 x Fiksācijas paplāksne (#C)
- 1 x Strāvas vads (#32 vai #33)
- 1 x Kabeļu skavas (#31)

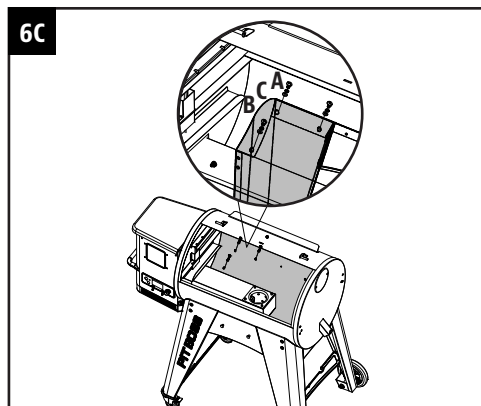
Uzstādīšana:

PIEZĪME: tiek piegādāti divi strāvas vadi. Izvēlieties strāvas vadu, kas ir atbilstošs jūsu reģionam.

- Novietojiet kabeļu skavas uz pareizā strāvas vada. Ievietojiet strāvas vadu gropē, kas atrodas piltuvtilpnes apakšā. Piestipriniet kabeļu skavu piltuvtilpnes apakšai ar iepriekš uzstādīto skrūvi. Skatiet 6A attēlu.
- Sagatavojiet galveno karkasu uzstādīšanai uz ratiņiem. Uzmanīgi paceliet ratiņus vertikālā stāvoklī ar riteņiem uz zemes. Novietojiet ratiņus blakus galvenajam karkasam tā, lai abas daļas būtu vērstas vienā virzienā. Nobloķējiet ratiņu riteņšus. Ar otra cilvēka palīdzību sagatavojieties galvenā karkasa uzcelšanai uz ratiņiem. Vienam cilvēkam karkasu ceļot no tvertnes puses, bet otram – no otras pretējās karkasa puses, uzmanīgi paceliet galveno karkasu un lēnām to nolaidiet uz ratiņiem. Skatiet 6B attēlu.



- Pēc tam atveriet galvenā karkasa vāku. Regulējiet rotāciju pēc nepieciešamības, lai galvenā karkasa skrūvju atveres salāgotu ar ratiņiem. Pēc daļu novietošanas piestipriniet katru kāju pie galvenā karkasa ar trim skrūvēm, paplāksnēm un fiksācijas paplāksnēm. Skatiet 6C attēlu.



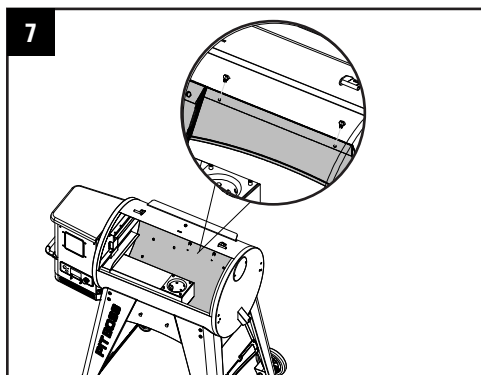
7. ATBALSTA PLĀKŠŅU PIESTIPRINĀŠANA GRILAM

Nepieciešamās daļas:

4 x Skrūve (#E)

Uzstādīšana:

- Ar divām skrūvēm piestipriniet katru garo atbalsta plāksni pie galvenā karkasa.



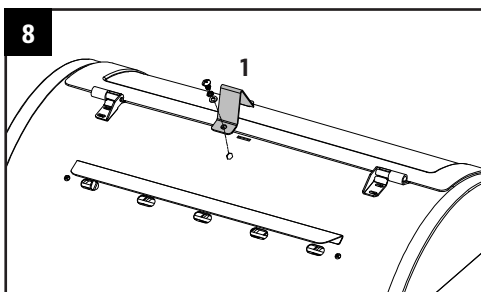
8. VĀKA AIZTURA UZSTĀDĪŠANA

Nepieciešamās daļas:

1 x Vāka aizturis (#1)

Uzstādīšana:

- Nostipriniet vāka aizturi galvenā karkasa augšpusē, izmantojot galvenā karkasa augšpusē iepriekš uzstādīto skrūvi.



9. VĀKA ROKTURA UZSTĀDĪŠANA

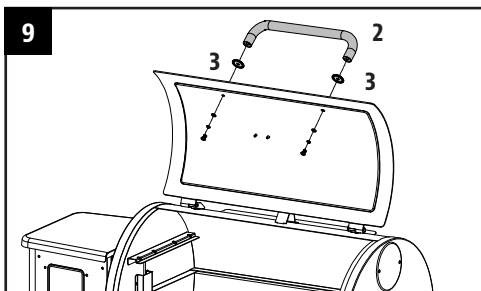
Nepieciešamās daļas:

1 x Vāka rokturis (#2)

2 x Vāka roktura slīpā mala (#3)

Uzstādīšana:

- Izņemiet iepriekš uzstādītās skrūves no vāka roktura. Caur karkasa vāka iekšpusi ievietojiet vienu skrūvi, lai tā izvirzītos uz ārpusi. Uz skrūves uzlieciet slīpo malu. Pēc tam ar roku pievelciet skrūvi (no iekšpuses) vāka rokturī. Atkārtojiet šo darbību otrā pusē.



10. GRILA KOMPONENTU UZSTĀDĪŠANA CEPŠANAI LIESMĀS

Nepieciešamās daļas:

- 1 x Galvenā plāksne cepšanai liesmās (#8)
- 1 x Slidnis cepšanai liesmās(#7)

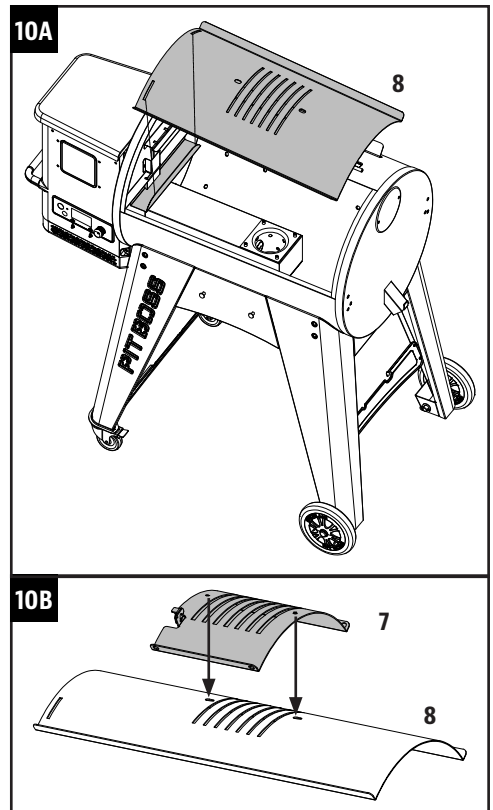
Uzstādīšana:

- Ievietojiet galveno plāksni cepšanai liesmās grila pamatdaļā. Atbalstiet galveno plāksni cepšanai liesmās pret grila pamatdaļas iebūvēto malu (iekšpusē pa labi), kas novirza taukvielas uz taukvielu spaini. Pabīdīt visas kopā savienotās daļas pa kreisi, un abas rievas, kas atrodas uz galvenās plāksnes cepšanai liesmās, iegulsies noapaļotajā malā virs degšanas trauka. Tā nedaudz iegulsies lejupvērstā slīpumā. Skatiet 10A attēlu.

SVARĪGI! Ja galvenā plāksne balstās uz karkasa pamatnes, tā ir uzstādīta nepareizi. Ja uzstādīšana ir veikta nepareizi, galvenais grila karkass var tikt sabojāts.

- Novietojiet slidni cepšanai liesmās uz galvenās plāksnes cepšanai liesmās, nosedzot rievotos atvērumus. Pārliecinieties, ka paceltais izcilnis atrodas kreisajā pusē un abas tapas, kas atrodas slidņa cepšanai liesmās apakšpusē, iegulstas šīs galvenās plāksnes cepšanai liesmās atverēs, lai gatavošanas laikā varētu viegli regulēt tiešu un netiešu liesmu. Abas daļas cepšanai liesmās nedaudz ir pārklātas ar eļļu, lai pārvadāšanas laikā nesarūsētu. Skatiet 10B attēlu.

PIEZĪME. Lai nezaudētu gatavošanas režģu apcepšanas un grilēšanas īpašības, jāveic regulāra kopšana un apkope. Skatiet lietotāja rokasgrāmatu.



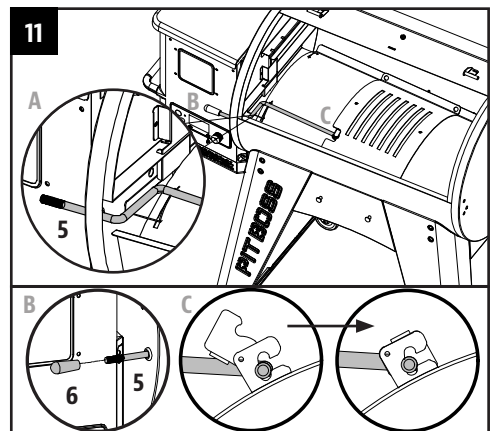
11. REGULATORA UZSTĀDĪŠANA CEPŠANAI LIESMĀS

Nepieciešamās daļas:

- 1 x Regulators cepšanai liesmās (#5)
- 1 x Regulatora rokturis cepšanai liesmāsē (#6)

Uzstādīšana:

- Caur atveri galvenā karkasa kreisajā pusē ievietojiet regulatoru cepšanai liesmās. Piestipriniet regulatora rokturi cepšanai liesmās galvenā karkasa ārējā galā. Pēc tam iebīdiet regulatora cepšanai liesmās nošķelto galu slidņa cepšanai liesmās fiksācijas izcilnī, nodrošinot regulējamu piekļuvi slidnim cepšanai liesmās uz galvenās plāksnes.



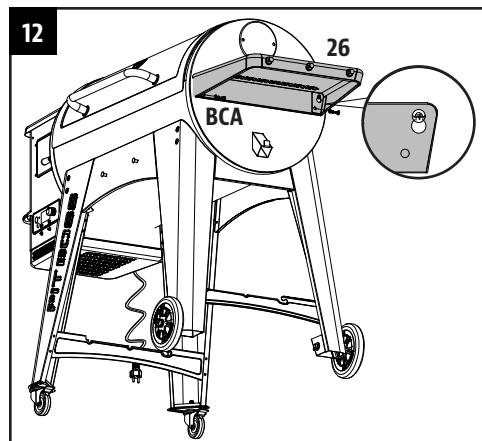
12. SĀNU PLAUKTA UZSTĀDĪŠANA

Nepieciešamās daļas:

- 1 x Labais sānu plaukts (#26)
- 2 x Skrūve (#A)
- 2 x Paplāksne (#B)
- 2 x Fiksācijas paplāksne (#C)

Uzstādīšana:

- Nedaudz atbrīvojiet abas iepriekš uzstādītās skrūves galvenā karkasa sānā. Vispirms uzāķējiet sānu plauktu uz skrūvēm un pēc tam pievelciet abas atbrīvotās skrūves.
- No apakšas piestipriniet sānu plauktu pie galvenā karkasa sānu paneļa ar divām skrūvēm, paplāksnēm un fiksācijas paplāksnēm.



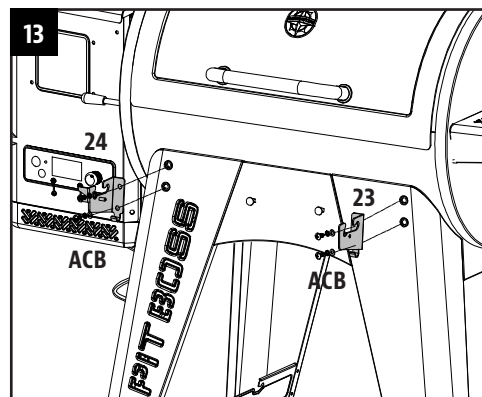
13. PRIEKŠĒJĀ PLAUKTA KRONŠTEINU PIESTIPRINĀŠANA

Nepieciešamās daļas:

- 1 x Priekšējā plaukta labais kronšteins (#23)
- 1 x Priekšējā plaukta kreisais kronšteins (#24)
- 4 x Skrūve (#A)
- 4 x Paplāksne (#B)
- 4 x Fiksācijas paplāksne (#C)

Uzstādīšana:

- Piestipriniet katru priekšējā plaukta atbalsta kronšteinu pie priekšējās atbalsta kājas ar divām skrūvēm, paplāksnēm un fiksācijas paplāksnēm.



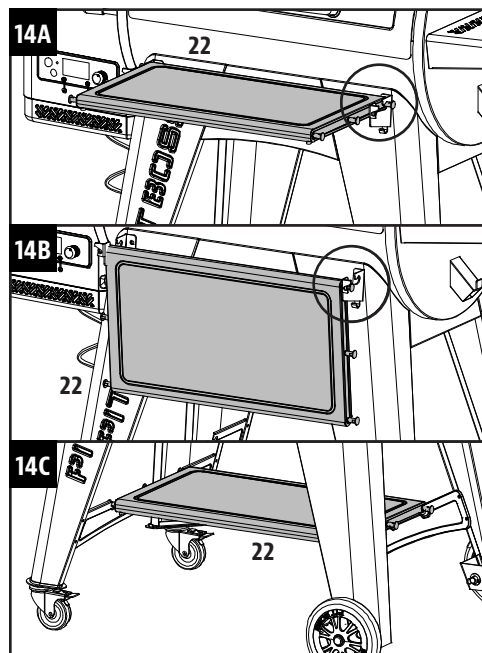
14. PRIEKŠĒJĀ PLAUKTA UZSTĀDĪŠANA

Nepieciešamās daļas:

- 1 x Priekšējais plaukts (#22)

Uzstādīšana:

- Novietojiet priekšējo plauktu uz priekšējā plaukta atbalsta kronšteinu. Skatiet 14A attēlu ar atvērtu priekšējo plauktu.
- Skatiet 14B attēlu ar saliektu priekšējo plauktu.
- Priekšējo plauktu var novietot arī uz apakšējām atbalsta plāksnēm un izmantot kā apakšējo plāksni. Skatiet 14C attēlu.



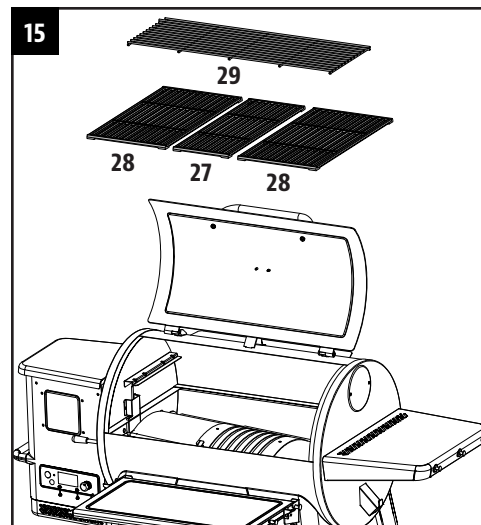
15. GRILA GATAVOŠANAS KOMPONENTU UZSTĀDĪŠANA

Nepieciešamās daļas:

- 1 x Gatavošanas režģis A (#27)
- 2 x Gatavošanas režģis B (#28)
- 1 x Sildīšanas paliktnis (#29)

Uzstādīšana:

- Novietojiet gatavošanas režģus vienu pie otra uz režģa malas galvenā grila iekšpusē.
- Novietojiet augšējo gatavošanas režģi uz augšējās malas galvenā grila iekšpusē. Sildīšanas paliktnis nofiksēsies vietā.



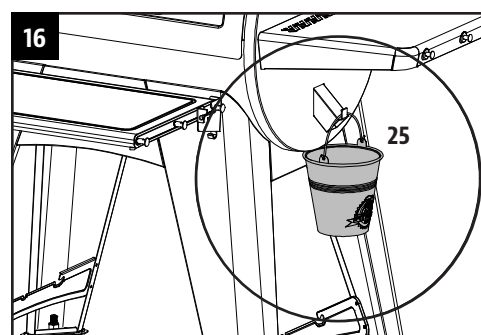
16. TĀUKVIELU SPAINĀ UZSTĀDĪŠANA

Nepieciešamās daļas:

- 1 x Taukvielu spainis (#25)

Uzstādīšana:

- Novietojiet taukvielu spaini uz teknes āķa galvenā karkasa galā. Pārliecinieties, ka tas ir novietots taisni, lai izvairītos no taukvielu noplūdēm.
- Tagad iekārta ir pilnībā samontēta.



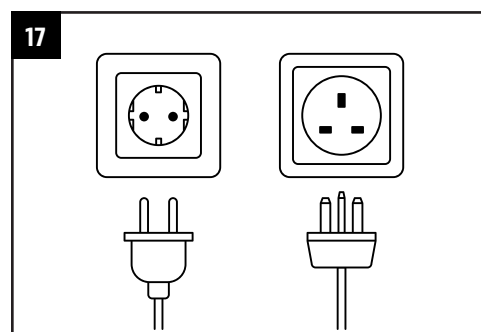
17. PIEVIENOŠANA STRĀVAS AVOTAM

PIEZĪME. Pirms Pit Boss pieslēgšanas elektrības ligzdai pārliecinieties, ka temperatūras skala ir pozīcijā OFF (Izslēgta).

- **STANDARTA LIGZDA**
Šai iekārtai ir nepieciešama 220-240 voltu, 50 Hz, 250 W jauda. Tai ir nepieciešams ezemēts spraudnis.

SVARĪGI! Kad iekārta netiek lietota, atvienojiet to no strāvas avota.

SVARĪGI! Lietošanas instrukcijas skatiet lietotāja rokasgrāmatā.





PASTABA DĒL AUTORIAUS TEISIŲ

Autoriaus teisės 2021 m. Visos teisės saugomos. Jokios šio vadovo dalies negalima kopijuoti, perduoti, perrašyti, saugoti paieškos sistemoje bet kokia forma arba bet kokiomis priemonėmis be aiškaus rašytinio leidimo iš

Dansons

3411 North 5th Avenue, Suite 500, Phoenix, AZ, USA 85013
sales@pitboss-grills.com | service@pitboss-grills.com

www.pitboss-grills.com

Klientų aptarnavimo tarnyba

Nuo pirmadienio iki sekmadienio, 4:00–20:00 val. PST (EN/FR/ES)

Nemokamas telefonas: 1-877-303-3134, faksas: 1-877-303-3135

TURINYS

Dalys ir specifikacijos.....	119
Pasiruošimas surinkti	121
Surinkimo instrukcijos	
Pakojų tvirtinimas prie atraminių kojų.....	121
Atraminių plokščių ir ratukų tvirtinimas.....	121
Atraminių plokščių ir ratų tvirtinimas.....	122
Atraminių plokščių tvirtinimas prie ratų atraminių kojų.....	122
Atraminių plokščių tvirtinimas prie ratukų atraminių kojų....	122
Pagrindinio cilindro tvirtinimas prie vežimėlio.....	123
Atraminių plokščių tvirtinimas prie kepsninės	123
Dangčio fiksatoriaus montavimas.....	123
Dangčio rankenos montavimas.....	124
Kepsninės plokštės komponentų montavimas.....	124
Kepsninės plokštės reguliavimo sklendės montavimas.....	124
Šoninės lentynos montavimas.....	125
Priekinės lentynos laikiklių tvirtinimas	125
Priekinės lentynos montavimas	125
Kepsninės kepimo komponentų montavimas	126
Riebalų surinkimo kibirėlio montavimas	126
Prijungimas prie maitinimo šaltinio	126

DALYS IR SPECIFIKACIJOS

Dalies Nr.	Aprašymas
1	Dangčio fiksatorius (x1)
2	Dangčio rankena (x1)
3	Dangčio rankenos apsodas (x2)
4	Pagrindinis cilindras / piltuvo komplektas (x1)
5	Kepsninės plokštės reguliavimo sklendė (x1)
6	Kepsninės plokštės reguliavimo sklendės rankenėlė (x1)
7	Slankioji kepsninės plokštė (x1)
8	Pagrindinė kepsninės plokštė (x1)
9	Kairioji priekinė koja (x1)
10	Kairioji galinė koja (x1)
11	Dešinioji priekinė koja (x1)
12	Dešinioji galinė koja (x1)
13	Kairiosios priekinės kojos apdailos detalė (x1)
14	Kairiosios galinės kojos apdailos detalė (x1)
15	Pasukamas ratukas su stabdžiu (x2)
16	Ratas (x2)
17	Dešinioji apatinė atraminė plokštė (x1)
18	Kairioji apatinė atraminė plokštė (x1)
19	Trumpa atraminė plokštė (x2)
20	Priekinė ilga atraminė plokštė (x1)
21	Galinė ilga atraminė plokštė (x1)
22	Priekinė lentyna (x1)
23	Dešinysis priekinės lentynos laikiklis (x1)
24	Kairysis priekinės lentynos laikiklis (x1)
25	Riebalų surinkimo kibirėlis (x1)
26	Staliukas, skirtas tvirtinti dešinėje pusėje (x1)
27	Kepimo grotelės A (x1)
28	Kepimo grotelės B (x2)
29	Šildymo lentyna (x1)

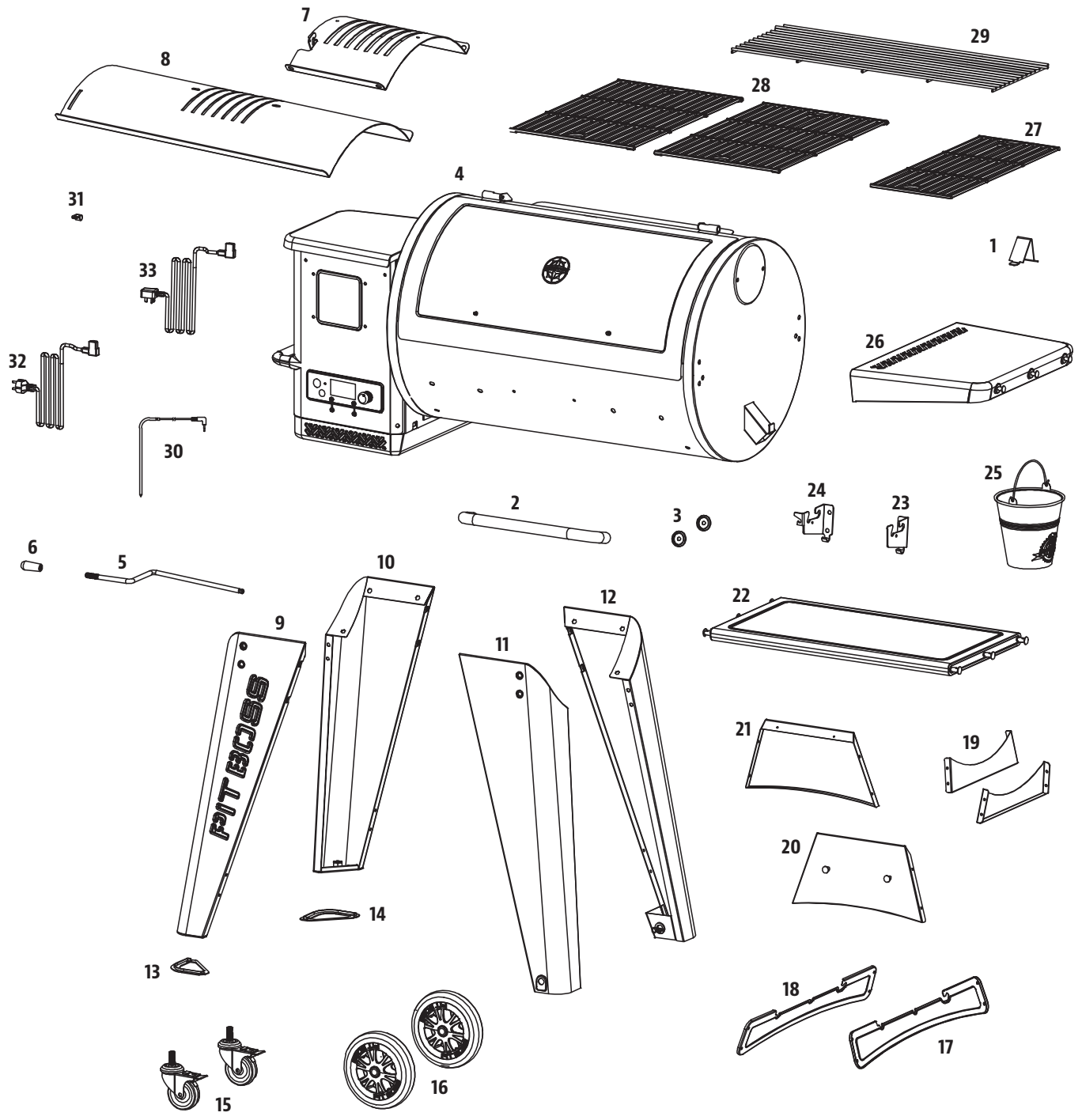
Dalies Nr.	Aprašymas
30	Mėsos zondas (x1)
31	Maitinimo laido spaustukas (x1)
32	Maitinimo laidas – F kištukas (x1)
33	Maitinimo laidas – G kištukas (x1)
A	Varžtas (x18)
B	Poveržlė (x18)
C	Fiksavimo poveržlė (x18)
D	Varžtas (x30)
E	Varžtas (x4)
F	Rato ašies kaištis (x2)
G	Rato vielokaištis (x2)
H	Rato poveržlė (x2)

PASTABA. Dėl nuolatinio gaminio tobulinimo dalys gali keistis nepranešus. Susisieki su klientų aptarnavimo tarnyba, jei prietaiso surinkimo metu trūksta dalių.

PB – ELEKTROS REIKALAVIMAI
220-240 V, 50 Hz, 250 W, IEZEMĖTS SPRAUDNIS

Diagramos iliustracija kitame puslapyje.

MODELIS	SURINKTAS PRIETAISAS (PxAxG)	PRIETAISO SVORIS	KEPIMO PLOTAS	TEMP. DIAPAZONAS	SKAITMENINĖS FUNKCIJOS
PB PB850G	1472mm x 1195mm x 940mm / 57,9" x 47" x 37"	74.5 kg / 164.24 lb	<i>Pagrindinis</i> - 3825.8 cm ² / 593 kv. col. <i>Viršutinė lentyna</i> - 1845.2 cm ² / 286 kv. col. IŠ VISO - 5671 cm² / 879 kv. col.	82-260°C / 180-500°F	Dešimt išankstinių temperatūros nustatymų, paleidimo ir atvėsimo ciklai, elektrinis uždegiklis



PASIRUOŠIMAS SURINKTI

Dalys yra pateiktos kartoninėje transportavimo dėžėje bei po kepsnine. Apžiūrėkite kepsninę, dalis ir techninės įrangos lizdinę plokštelę išėmę juos iš apsauginės kartoninės transportavimo dėžės. Prieš surinkdami išmeskite visas pakuotės medžiagas, esančias kepsninės viduje ir išorėje, tuomet apžiūrėkite ir patikrinkite, ar yra visos dalys, remdamiesi dalių sąrašu. Jei kokios nors dalies trūksta arba ji yra pažeista, nebandykite surinkti. Transportavimo metu padarytai žalai garantija netaikoma. Dėl dalių kreipkitės į savo pardavėją arba „Pit Boss“ klientų aptarnavimo tarnybą: nuo pirmadienio iki sekmadienio 4:00–20:00 val. PST (EN / FR / ES).

service@pitboss-grills.com | Nemokamas telefonas: 1-877-303-3134 | faksas: 1-877-303-3135

SVARBU: kad montuoti būtų lengviau ir kad nesusižeistumėte, šį prietaisą surinkite dviese.

Norint surinkti reikia šių įrankių: atsuktuvo ir gulsčiuo. Įrankiai nepridėti.



SURINKIMO INSTRUKCIJOS

SVARBU: prieš pradėdant surinkti, rekomenduojama instrukcijose iki galo perskaityti kiekvieną veiksma. Nepriveržkite iki galo varžtų, kol nesumontavote visų varžtų, nurodytų tame veiksmo. Techninės įrangos derinys, apimantis poveržlę ir fiksavimo poveržlę, turi būti montuojamas taip, kad fiksavimo poveržlė būtų arčiausiai varžto galvutės.

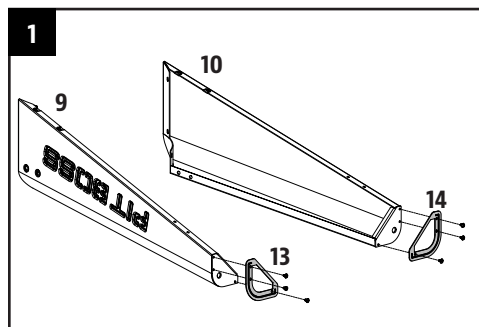
1. PAKOJŲ TVIRTINIMAS PRIE ATRAMINIŲ KOJŲ

Reikalingos dalys:

- 1 x Kairioji priekinė koja (#9)
- 1 x LKairioji galinė koja (#10)
- 1 x Kairiosios priekinės kojos apdailos detalė (#13)
- 1 x Kairiosios galinės kojos apdailos detalė (#14)
- 6 x Varžtas (#D)

Montavimas:

- Trimis varžtais pritvirtinkite kairiosios priekinės kojos apdailos detalę prie fiksuojamo ratuko kairiosios priekinės kojos. Toliau montuokite fiksuojamo ratuko kairiąją galinę koją ir kairiosios galinės kojos apdailos detalę.



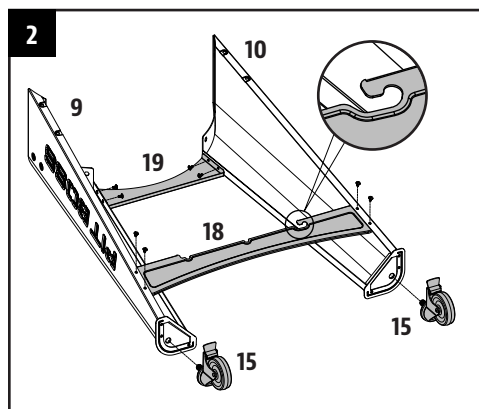
2. ATRAMINIŲ PLOKŠČIŲ IR RATUKŲ TVIRTINIMAS

Reikalingos dalys:

- 1 x Kairioji priekinė koja (#9)
- 1 x LKairioji galinė koja (#10)
- 1 x Kairioji apatinė atraminė plokštė (#18)
- 1 x Trumpa atraminė plokštė (#19)
- 2 x Pasukamas ratukas su stabdžiu (#15)
- 8 x Varžtas (#D)

Montavimas:

- Keturiais varžtais pritvirtinkite vieną trumpą atraminę plokštę prie prietaiso šono tarp priekinių ir galinių atraminių kojų. Taip pat sumontuokite apatinę atraminę plokštę prie tų pačių kojų.
- Įkiškite kiekvieną fiksuojamą ratuką kiekvienos atraminės kojos apačioje ir ranka įsukite jį angoje. Įsitinkinkite, kad fiksuojamas ratukas yra visiškai įstatytas. Jis turi nebesisukti.



PASTABA: įsitinkinkite, kad apatinė atraminė plokštė nukreipta tinkama kryptimi aukštyn.

3. ATRAMINIŲ PLOKŠČIŲ IR RATŲ TVIRTINIMAS

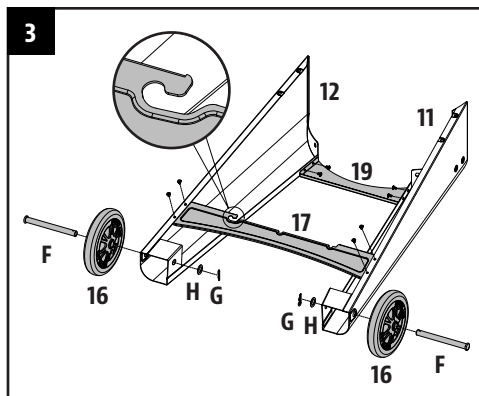
Reikalingos dalys:

- 1 x Dešinioji priekinė koja (#11)
- 1 x Dešinioji galinė koja (#12)
- 1 x Dešinioji apatinė atraminė plokštė (#17)
- 1 x Trumpa atraminė plokštė (#19)
- 2 x Ratas (#16)
- 8 x Varžtas (#D)
- 2 x Rato ašies kaištis (#F)
- 2 x Rato vielokaištis (#G)
- 2 x Rato poveržlė (#H)

Montavimas:

- Keturiais varžtais pritvirtinkite vieną trumpą atraminę plokštę prie prietaiso šono tarp priekinių ir galinių atraminių kojų. Taip pat sumontuokite apatinę atraminę plokštę prie tų pačių kojų.
- Pritvirtinkite didelį ratą prie atraminės kojos – įkiškite rato ašies kaištį per rato atraminės kojos angą, tada įtvirtinkite rato vielokaiščiu. Taip pat sumontuokite kitą ratą toje pačioje pusėje.

PASTABA: įsitinkinkite, kad apatinė atraminė plokštė nukreipta tinkama kryptimi aukštyn.



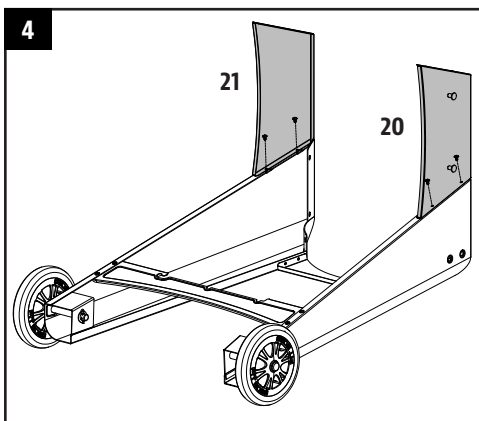
4. ATRAMINIŲ PLOKŠČIŲ TVIRTINIMAS PRIE RATŲ ATRAMINIŲ KOJŲ

Reikalingos dalys:

- 1 x Priekinė ilga atraminė plokštė (#20)
- 1 x Galinė ilga atraminė plokštė (#21)
- 4 x Varžtas (#D)

Montavimas:

- Dviem varžtais pritvirtinkite vieną ilgą atraminę plokštę prie vienos rato atraminės kojos. Įsitinkinkite, kad plokščia atraminės plokštės pusė yra nukreipta į išorę. Taip pat sumontuokite kitą ilgą atraminę plokštę prie kitos atraminės kojos.



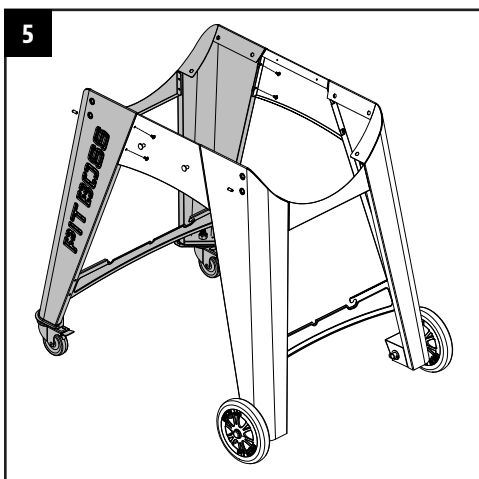
5. ATRAMINIŲ PLOKŠČIŲ TVIRTINIMAS PRIE RATUKŲ ATRAMINIŲ KOJŲ

Reikalingos dalys:

- 4 x Varžtas (#D)

Montavimas:

- Tuomet pritvirtinkite ilgas atramines plokštes prie ratuko atraminių kojų. Kiekvieną plokštę pritvirtinkite dviem varžtais.



6. PAGRINDINIO CILINDRO TVIRTINIMAS PRIE VEŽIMĖLIO

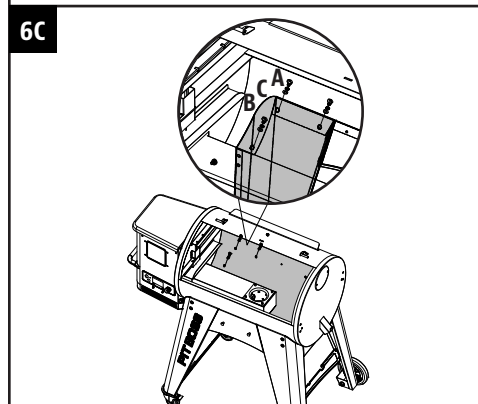
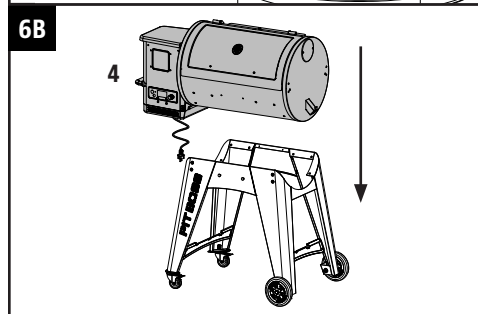
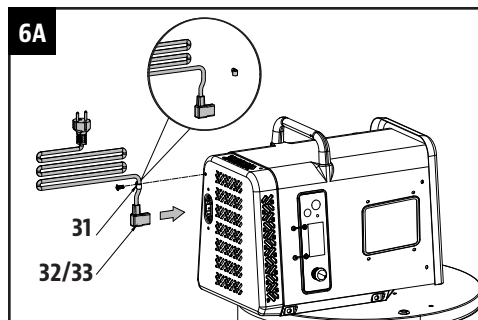
Reikalingos dalys:

- 1 x Pagrindinis cilindras / piltuvo komplektas (#4)
- 12 x Varžtas (#A)
- 12 x Poveržlė (#B)
- 12 x Fiksavimo poveržlė (#C)
- 1 x Maitinimo laidas (#32 arba #33)
- 1 x Kabelio spaustukus (#31)

Montavimas:

PASTABA. Tiekiami du maitinimo laidai. Pasirinkite jūsų regionui tinkamą maitinimo laidą.

- Uždėkite kabelio spaustukus ant tinkamo maitinimo laido. Įkiškite maitinimo laidą į piltuvo apačioje esantį griovelį. Pritvirtinkite kabelio spaustuką prie piltuvo dugno naudodami anksčiau išsuktą varžtą. Žr. iliustraciją 6A.
- Paruoškite pagrindinį cilindą, kurį reikia sumontuoti ant vežimėlio. Atsargiai pakelkite vežimėlį į vertikalią padėtį, kad ratai būtų apačioje. Pastatykite vežimėlį šalia pagrindinio cilindro, abu turi būti nukreipti ta pačia kryptimi. Užfiksuokite vežimėlio ratukus. Pasiruoškite dviese užkelti pagrindinį cilindą ant vežimėlio. Atsargiai pakelkite pagrindinį cilindą: vienas žmogus piltuvo pusėje, o kitas žmogus – priešingame cilindro gale, ir lėtai nuleiskite pagrindinį cilindą ant vežimėlio. Žr. 6B iliustraciją.
- Tuomet atidarykite pagrindinio cilindro dangtį. Sureguliuokite pasukimą, kiek reikia, kad pagrindinio cilindro varžtų angos būtų sulygiuotos su vežimėliu. Uždėję kiekvieną koją pritvirtinkite prie pagrindinio cilindro, naudodami tris varžtus, poveržles ir fiksavimo poveržles. Žr. 6C iliustraciją.



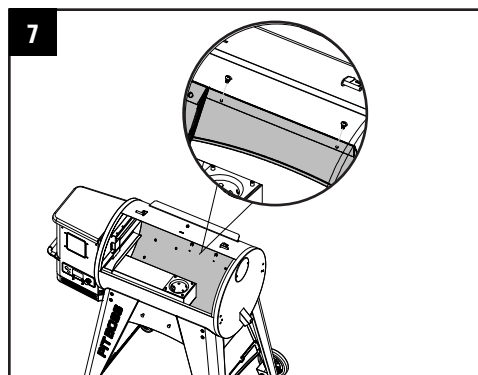
7. ATRAMINIŲ PLOKŠČIŲ TVIRTINIMAS PRIE KEPSNINĖS

Reikalingos dalys:

- 4 x Varžtas (#E)

Montavimas:

- Kiekvieną ilgąją atraminę plokštę dviem varžtais pritvirtinkite prie pagrindinio cilindro.



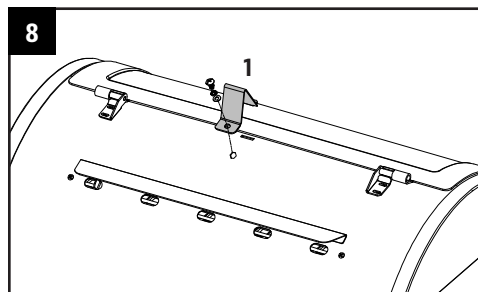
8. DANGČIO FIKSATORIAUS MONTAVIMAS

Reikalingos dalys:

- 1 x Dangčio fiksatorius (#1)

Montavimas:

- Pritvirtinkite dangčio fiksatorių ant pagrindinio cilindro viršaus, priveržę pagrindinio cilindro viršuje iš anksto sumontuotą varžtą.



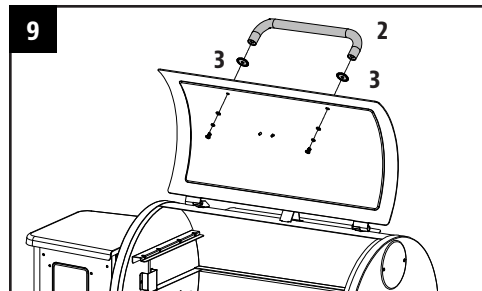
9. DANGČIO RANKENOS MONTAVIMAS

Reikalingos dalys:

- 1 x Dangčio rankena (#2)
- 2 x Dangčio rankenos apsodas (#3)

Montavimas:

- Išimkite iš anksto sumontuotus varžtus iš dangčio rankenos. Iš cilindro dangčio vidaus įstatykite vieną varžtą, kad jis išsikištų į išorę. Ant varžto uždėkite apsodą. Tada ranka priveržkite varžtą (iš vidaus) prie dangčio rankenos. Atlikite tuos pačius veiksmus kitoje pusėje.



10. KEPSNINĖS PLOKŠTĖS KOMPONENTŲ MONTAVIMAS

Reikalingos dalys:

- 1 x Pagrindinė kepsninės plokštė (#8)
- 1 x Slankioji kepsninės plokštė (#7)

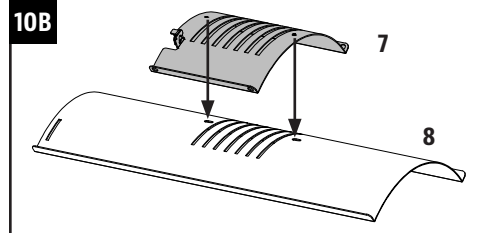
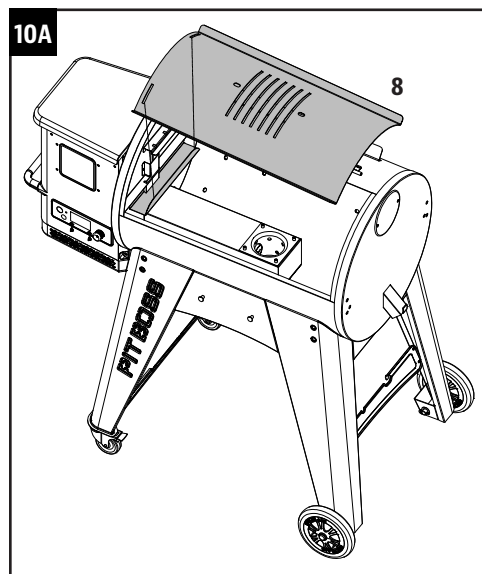
Montavimas:

- Įkiškite pagrindinę kepsninės plokštę į kepsninės korpusą. Atremkite pagrindinę kepsninės plokštę ant integruotos kepsninės korpuso briaunos (vidinė dešinė pusė), nukreipiančios riebalus tiesiai į riebalų surinkimo kibirelio išleidžiamą angą. Įstumkite visą dalį į kairę pusę, o į kepsninės pagrindinėje plokštėje esančias dvi angas bus įstatyta apvali briauna, esanti virš ugnies indo. Ji bus įstatyta šiek tiek žemyn nukreiptu kampu. Žr. 10A iliustraciją.

SVARBU: jei pagrindinė plokštė yra atsirėmusi į cilindro pagrindą, ją sumontavote netinkamai. Blogai sumontavus, gali būti sugadintas jūsų kepsninės pagrindinis cilindras.

- Uždėkite slankiąją kepsninės plokštę ant pagrindinės kepsninės plokštės viršaus, uždengdami angas. Įsitikinkite, kad iškili ašelė yra kairėje pusėje, o du kaiščiai slankiosios kepsninės plokštės apačioje įsikūša į pagrindinės kepsninės plokštės angas, kad galėtumėte lengvai reguliuoti tiesioginę arba netiesioginę liepsną kepimo metu. Abi kepsninės dalys šiek tiek padengtos alyva, kad neaprudytų transportavimo metu. Žr. 10B iliustraciją.

PASTABA: norint išlaikyti kepimo grotelių skrudinimo ir kepimo savybes, būtina reguliari priežiūra. Žr. savininko vadovą.



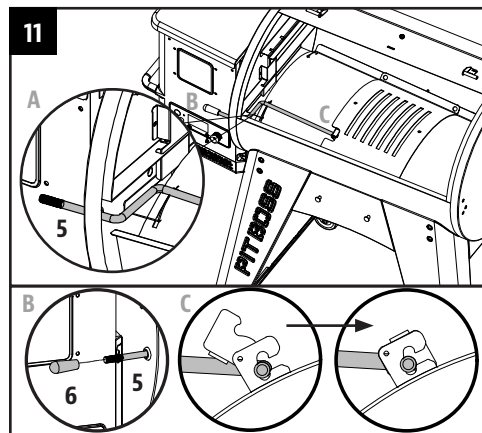
11. KEPSNINĖS PLOKŠTĖS REGULIAVIMO SKLENDĖS MONTAVIMAS

Reikalingos dalys:

- 1 x Kepsninės plokštės reguliavimo sklendė (#5)
- 1 x Kepsninės plokštės reguliavimo sklendės rankenėlė (#6)

Montavimas:

- Įstatykite kepsninės plokštės reguliavimo sklendę per atvirą angą kairėje pagrindinio cilindro pusėje. Uždėkite kepsninės plokštės reguliavimo sklendės rankenėlę cilindro gale išorėje. Tuomet įstumkite reguliavimo sklendės rantiytą galą į slankiosios kepsninės plokštės fiksavimo ašelę, kuri suteikia reguliuojamą prieigą prie kepsninės slankiosios plokštės, esančios pagrindinėje plokštėje.



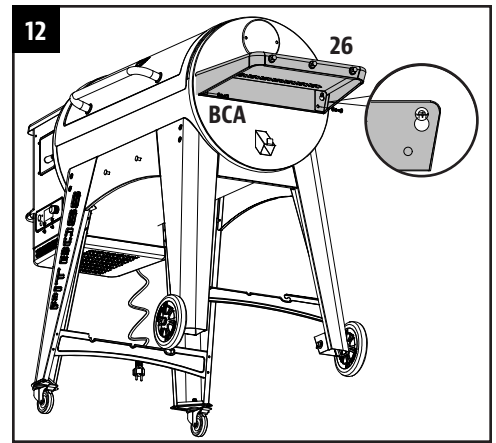
12. ŠONINĖS LENTYNOS MONTAVIMAS

Reikalingos dalys:

- 1 x Staliukas, skirtas tvirtinti dešinėje pusėje (#26)
- 2 x Varžtas (#A)
- 2 x Poveržlė (#B)
- 2 x Fiksavimo poveržlė (#C)

Montavimas:

- Atlaisvinkite du iš anksto sumontuotus varžtus iš pagrindinio cilindro pusės. Pirmiausia užkabinkite šoninę lentyną ant varžtų, tada priveržkite du iš anksto atlaisvintus varžtus jų vietoje.
- Iš apačios pritvirtinkite šoninę lentyną prie pagrindinio cilindro šoninės plokštės dviem varžtais, poveržlėmis ir fiksavimo poveržlėmis.



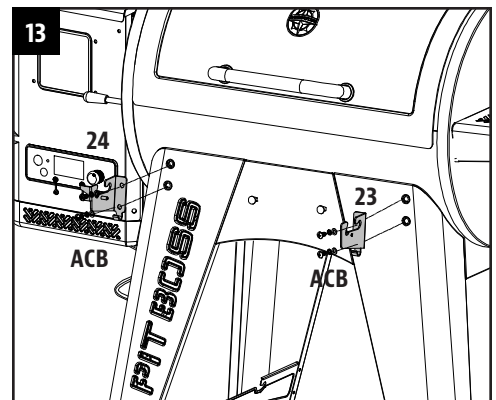
13. PRIEKINĖS LENTYNOS LAIKIKLIŲ TVIRTINIMAS

Reikalingos dalys:

- 1 x Dešinysis priekinės lentynos laikiklis (#23)
- 1 x Kairysis priekinės lentynos laikiklis (#24)
- 4 x Varžtas (#A)
- 4 x Poveržlė (#B)
- 4 x Fiksavimo poveržlė (#C)

Montavimas:

- Kiekvieną priekinės lentynos atraminį laikiklį pritvirtinkite prie priekinės atraminės kojos dviem varžtais, poveržlėmis ir fiksavimo poveržlėmis.



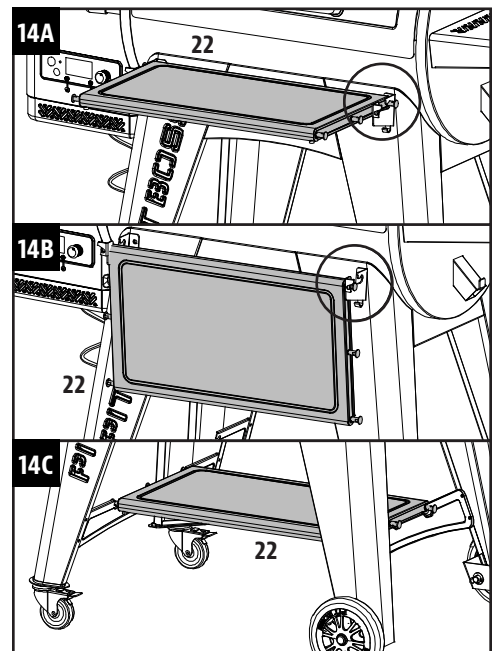
14. PRIEKINĖS LENTYNOS MONTAVIMAS

Reikalingos dalys:

- 1 x Priekinė lentyna (#22)

Montavimas:

- Uždėkite priekinę lentyną ant priekinės lentynos atraminių laikiklių. Žr. 14A iliustraciją, kurioje priekinė lentyna nenulenka.
- Žr. 14B iliustraciją, kurioje priekinė lentyna nulenka.
- Priekinę lentyną taip pat galima uždėti ant apatinių atraminių plokščių ir naudoti kaip apatinę plokštę. Žr. 14C iliustraciją.



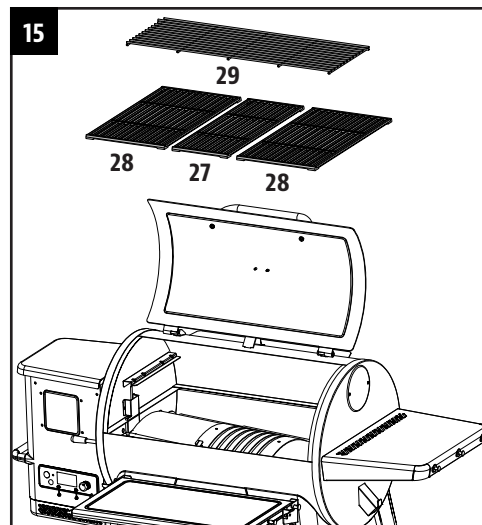
15. KEPSNINĖS KEPIMO KOMPONENTŲ MONTAVIMAS

Reikalingos dalys:

- 1 x Kepimo grotelės A (#27)
- 2 x Kepimo grotelės B (#28)
- 1 x Šildymo lentyna (#29)

Montavimas:

- Uždėkite kepimo groteles (vienas greta kitų) kepsninės korpuse ant grotelių briaunų.
- Uždėkite viršutinę kepimo lentyną kepsninės korpuse ant viršutinių briaunų. Šildymo lentyna užsifiksuos savo vietoje.



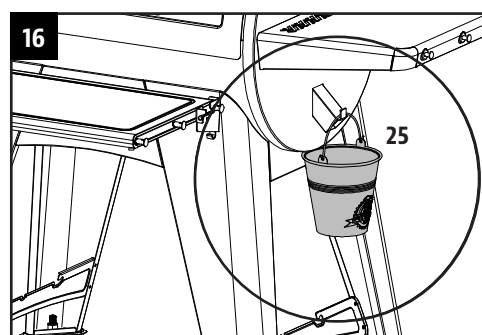
16. RIEBALŲ SURINKIMO KIBIRĖLIO MONTAVIMAS

Reikalingos dalys:

- 1 x Riebalų surinkimo kibirėlis (#25)

Montavimas:

- Uždėkite riebalų surinkimo kibirėlį ant išleidžiamosios angos kabliuko, esančio pagrindinio cilindro gale. Įsitikinkite, kad jis uždėtas lygiai, kad neišsiliėtų riebalai.
- Prietaisas visiškai surinktas.



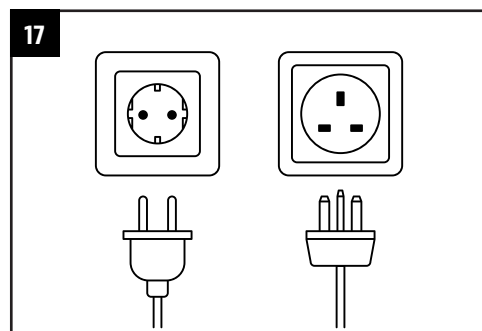
17. PRIJUNGIMAS PRIE MAITINIMO ŠALTINIO

PASTABA: prieš prijungdami „Pit Boss®“ prie elektros lizdo, įsitikinkite, kad temperatūros valdymo rankenėlė nustatyta į padėtį OFF (išjungta).

- *STANDARTINIS LIZDAS*
Šio prietaiso galios reikalavimai: 220–240 V, 50 Hz, 250 W. Reikia įžemintą kištuką.

SVARBU: atjunkite prietaisą nuo maitinimo šaltinio, kai jo nenaudojate.

SVARBU: naudojimo instrukcijas skaitykite savininko vadove





IMPORTANT

DO NOT RETURN PRODUCT TO STORE

For all questions, comments, or inquiries, please contact Dansons directly. Our Customer Service department is available Monday through Sunday, 4am - 8pm PST (EN/FR/ES).

TOLL FREE: 1-877-303-3134

TOLL FREE FAX: 1-877-303-3135

IMPORTANT

NE RETOURNEZ PAS LE PRODUIT AU MAGASIN

Pour toute questions, commentaires ou demandes de renseignements, veuillez communiquer avec Dansons directement. Le service à la clientèle est ouvert du lundi au dimanche, de 4 h à 20 h HP (ANG / FR / ES).

NUMÉRO SANS FRAIS : 1-877-303-3134

TÉLÉCOPIEUR SANS FRAIS : 1-877-303-3135

¡IMPORTANTE!

NO DEVUELVA EL PRODUCTO A LA TIENDA

Para el preguntas, comentarios o consultas, por favor contactar Dansons directamente. Nuestro departamento de servicio al cliente está disponible lunes a viernes de 4:00 a.m. a 8:00 p.m. tiempo del Pacífico.

LLAMADA GRATUITA: 1-877-303-3134

FAX GRATUITO: 1-877-303-3135

WICHTIG

PRODUKT NICHT INS LAGER ZURÜCKSCHICKEN

Bei Fragen, Kommentaren oder Anfragen wenden Sie sich bitte direkt an Dansons. Unsere Kundendienstabteilung ist montags bis sonntags von 4 bis 20 Uhr PST (EN/FR/ES) erreichbar.

GEBÜHRENFREI: 1-877-303-3134

GEBÜHRENFREIES FAX: 1-877-303-3135

IMPORTANTE

NON RESTITUIRE QUESTO PRODOTTO AL NEGOZIO

Per ogni domanda, commento o richiesta, rivolgersi direttamente a Dansons. Il nostro ufficio per l'Assistenza alla clientela è a disposizione da lunedì a domenica, dalle 4 alle 20, fuso orario Pacifico (inglese/francese/spagnolo).

NUMERO VERDE: 1-877-303-3134

NUMERO VERDE FAX: 1-877-303-3135

MADE IN CHINA | FABRIQUÉ EN CHINE | HECHO EN CHINA
IN CHINA HERGESTELLT | FABBRICATO IN CINA



780210423UMV

