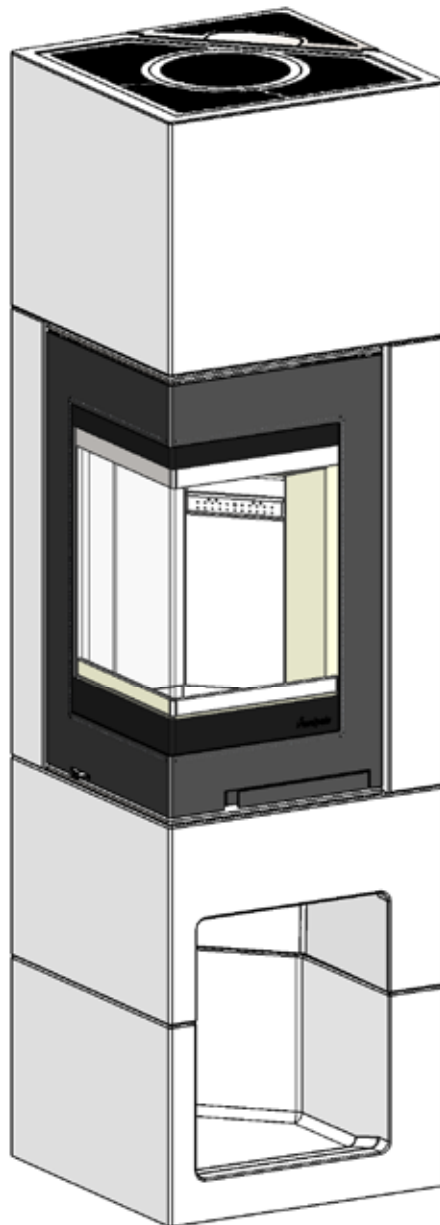


NO	Monteringsanvisning	2
GB	Installation manual	4



Odense

General information

Our surrounds are all made of non-combustible materials. All our inserts/stoves are tested according to the latest European requirements and also to the Norwegian SINTEF standard, which includes particle tests. Several European countries however have individual rules for installation of inserts, stoves and fireplaces. You as a client are totally responsible for the fulfilling of these local rules concerning the installation in your region/country. Nordpeis (Northstar) is not responsible regarding correct installation.

You should check local regulations concerning:

- distance from firebox to combustible/flammable materials
- insulation materials/requirements between fireplace surround and back wall
- size of floor plates in front of fireplace/stove if required
- fluepipe connection between firebox and chimney
- insulation requirements if fluepipe goes through flammable wall such as a wood wall.

Adjustment

We recommend to stack the surround without glue in order to adjust the insert prior to perforating the chimney for the flue connection. Use a spirit level to ensure that the surround is mounted straight. The insert will expand with heat and for this reason the surround must not rest on the insert. (Above the insert there must be a gap of 3 to 5 mm. Laterally there is no need for gaps, but between the lower part of the insert and the surround there must be a gap of at least 2 mm.)

Floor plate

A fireproof floor plate must be put in front of the fireplace if the floor is of a combustible material.

Acrylic glue

The fireplace is to be assembled using acrylic glue. Make sure all dust is removed and that the surfaces are clean. When the fireplace is assembled, use the same acrylic glue for filling joints (FIG Z)

Minor damage

The fireplace can sustain minor damage during transport and handling.

This can be repaired with acrylic/light filler. For perfect results, you can fill and sand with a suitable filler. Minor damage and uneven surfaces can be filled. If the damage is deep or in the event of significant damage, you are recommended to fill repeatedly with tile adhesive or cement putty to avoid sinking. Smooth off with e.g. a damp sponge or a float.

Fine Fissures

The building material around the fireplace can move. In new houses in particular, it is common for building materials to settle substantially in the early years. In addition, all concrete elements shrink to a decreasing extent for up to 15 months.

The result is that small cracks may appear in the concrete/masonry.

Use the fireplace for a few months. If cracks appear, scrape them out with a screwdriver or similar (to provide more space for acrylic joint filler). Vacuum the surfaces to remove any dust.

Inject acrylic joint filler and even it out with a spatula or a finger wetted with soapy water.

The joint can be painted after a couple of days.

Painting

When the fireplace has been filled/sanded and the glued joints are dry, the fireplace is ready to be painted. Use only breathable paint (acrylic) intended for masonry.

Treatment of marble

Clean the plates with mild soapy water and remove any residue of spilled glue.

Never use acid/abrasive materials, as this will damage the surface and polishing.

It is important to use detergent/sealant that is approved for marble for cleaning and sealing.

Scratches in dark marble can be coloured with a pencil. A professional stone centre can help you with different products for surface treatment of the stone.

For your own safety, comply with the assembly instructions. All safety distances are minimum distances. Installation of the insert must comply with the rules and regulations of the country where installed. Nordpeis AS is not responsible for wrongly assembled inserts.

We accept no liability for typographical errors and changes.

NB! See separate instructions for the insert

Odense

Insert
S-31A

Steel chimney
Can be installed with steel chimney.

Weight including insert
Odense 253 kg

Floorplate
Please follow the instructions on floorplates in your country.

Illustration (FIG 1)
*The illustration indicates the approximate centre height of the hole for the flue. Consider possible inclination of the flue prior to perforating the chimney. Distortions in floors and walls may influence the height. **Dry stack the fireplace for accurate height and positioning of the flue/chimney connection.** If a fresh air supply set (accessory) is connected through the floor, mark where the hole should be.

Safety Distances (FIG 2)
Ensure that the safety distances are complied with. Please note that these safety distances can vary from country to country.

Assembly instructions (FIG 3 - FIG 16)

FIG 3
Place the base element. Make sure it is level.

FIG 4
Make sure the surface is free of any dust and concrete residues. Use acrylic glue between the elements and place the upper bottom element.

FIG 5
Lower the concrete pedestal. Make sure all edges are level with the inside of the upper bottom element.

Attention! If the product is placed in a corner and is to be connected to a fresh air supply, make sure to prepare for fresh air supply behind the product before placing the insert. Connecting the insert can be done up through the wood compartment. If the product is not connected to a fresh air supply, clog the hole with the added concrete cover and acrylic glue FIG 15.

FIG 6
Adjust the height of the legs as shown in the illustration.

FIG 7
Lift the insert into place. Make sure the insert is level with both sides of the bottom elements.

FIG 8
Make sure the surface is free of any dust and concrete residue. Apply acrylic glue and lower the back element into place.

FIG 9
Place the rear radiation shield.
Attention! To utilize the rear connection, make sure to remove the cut out in the radiation shield FIG 10

FIG 11
Place the front radiation shield.

FIG 12-13
If the product is to be rear connected, make sure to prepare the top element before assembling it FIG 12. Use a concrete drilling tool to remove the concrete in the desired cut out and carefully sand the remaining edges.

Makes sure the surface is free of any dust and concrete residue. Apply acrylic glue and place the top element.

FIG 15
If the product is to be connected to a fresh air supply or a ventilated chimney, keep the hole at the back of the surround open. If not, use acrylic glue and the added concrete cover to clog the hole.

FIG 16
The picture shows how Odense is prepared for Nordpeis ventilated chimney and where to connect a fresh air supply.
The top grate is prepared for the air channel accompanying the ventilated chimney.

Once the fireplace is assembled, fill the joints with acrylic and even them out with a sponge or finger and some soapy water, in order to have a clear indentation between the elements (FIG Z).

(NO) Du trenger følgende verktøy

(GB) You need the following tools

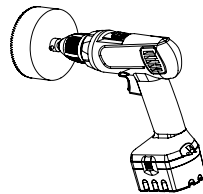
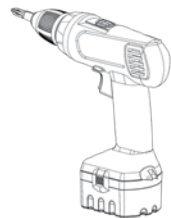
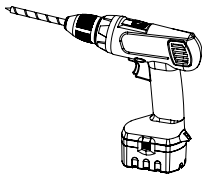
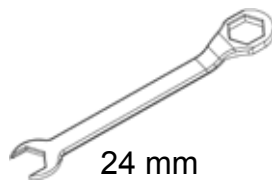
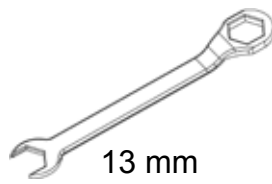
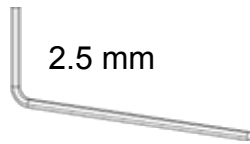
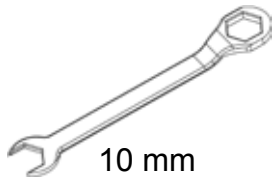
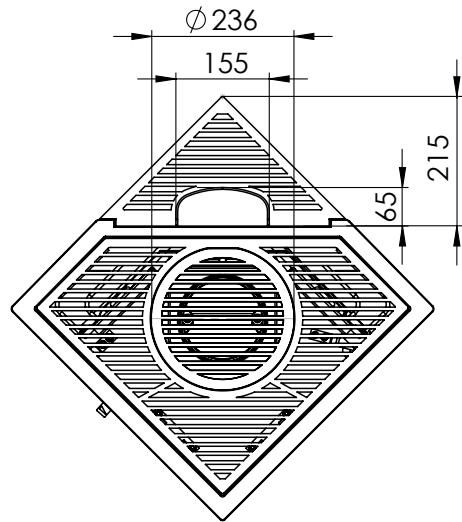
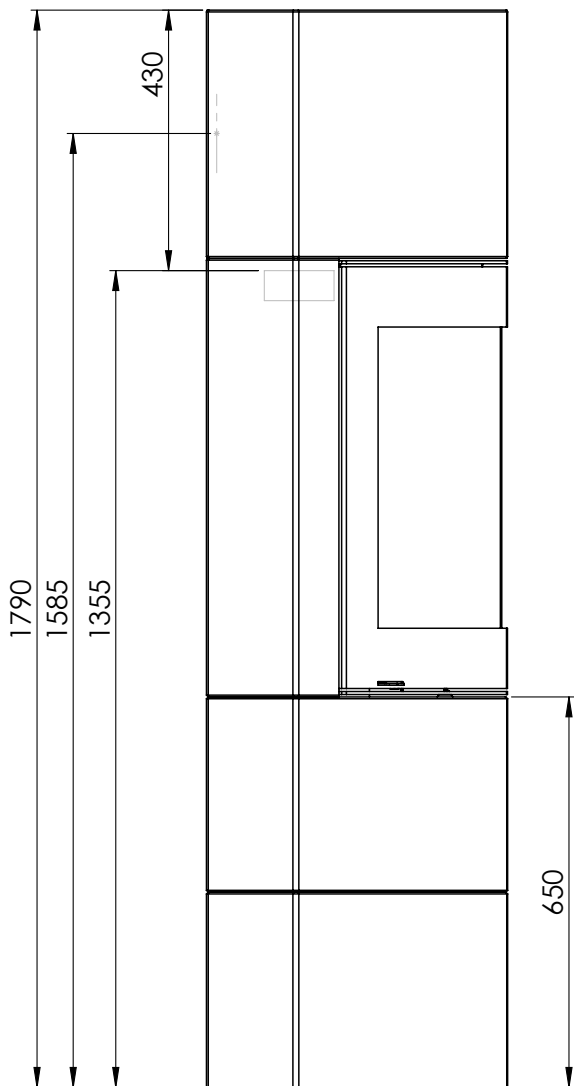
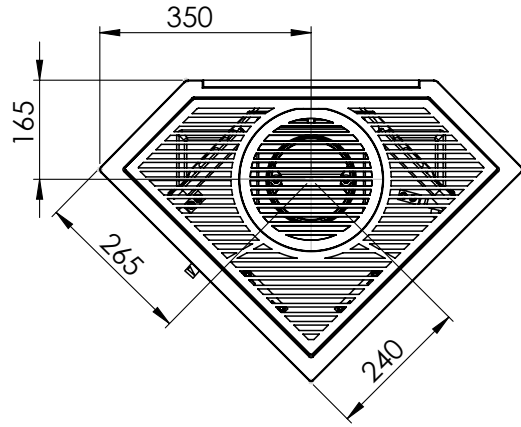
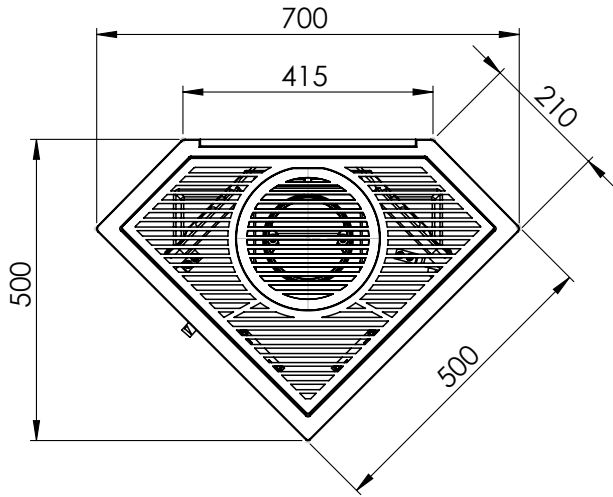


FIG 1

=mm



=mm AIR

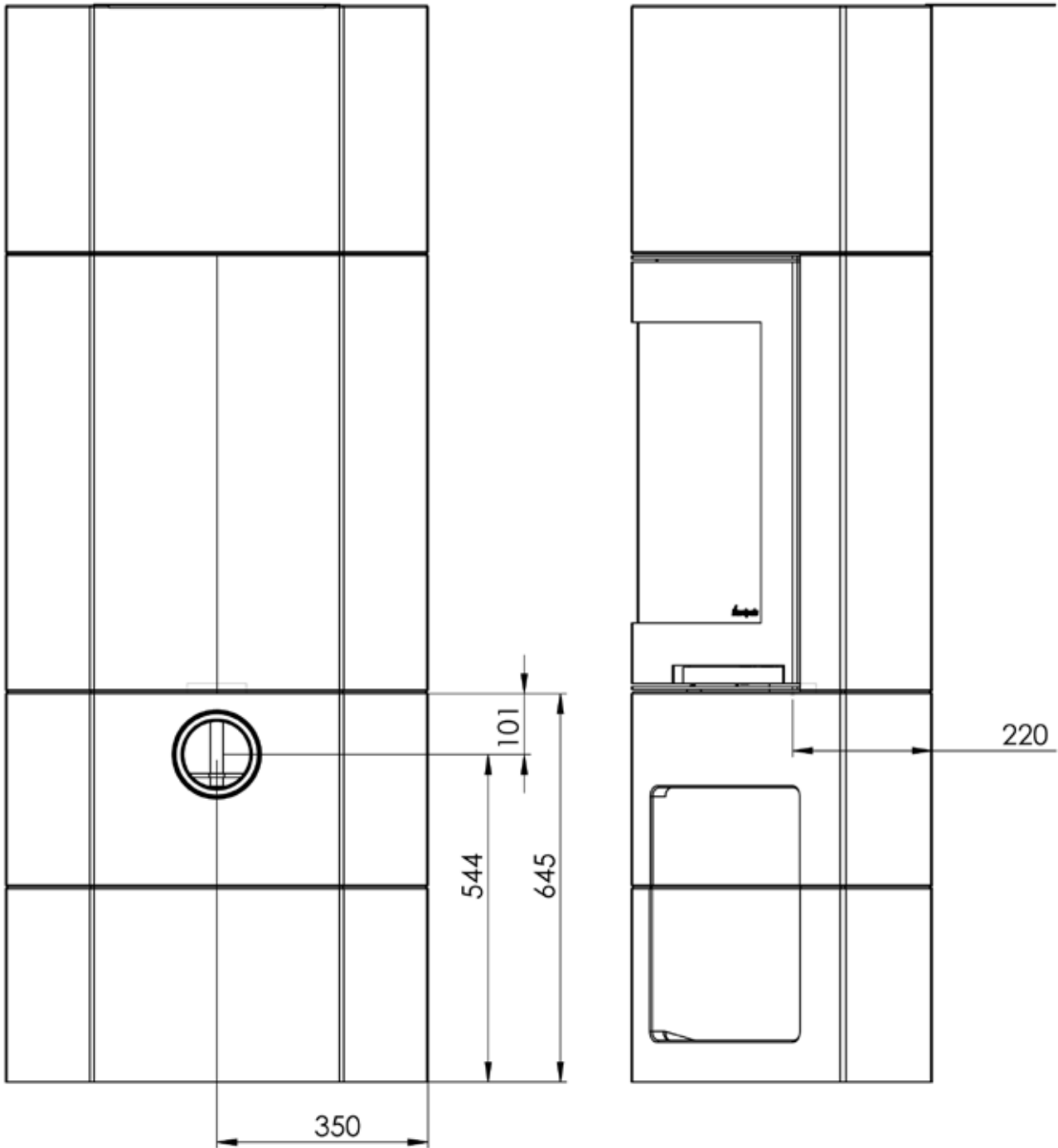




FIG 2

 =Brannmur/Brandmur/Turvaetäisyydet/Firewall

 =Brennbart materiale/Brændbart materiale/ Brännbart material/ Palavasta materiaalista/Combustible material

*Mål for tilkobling pipe

*Measurement chimney connection

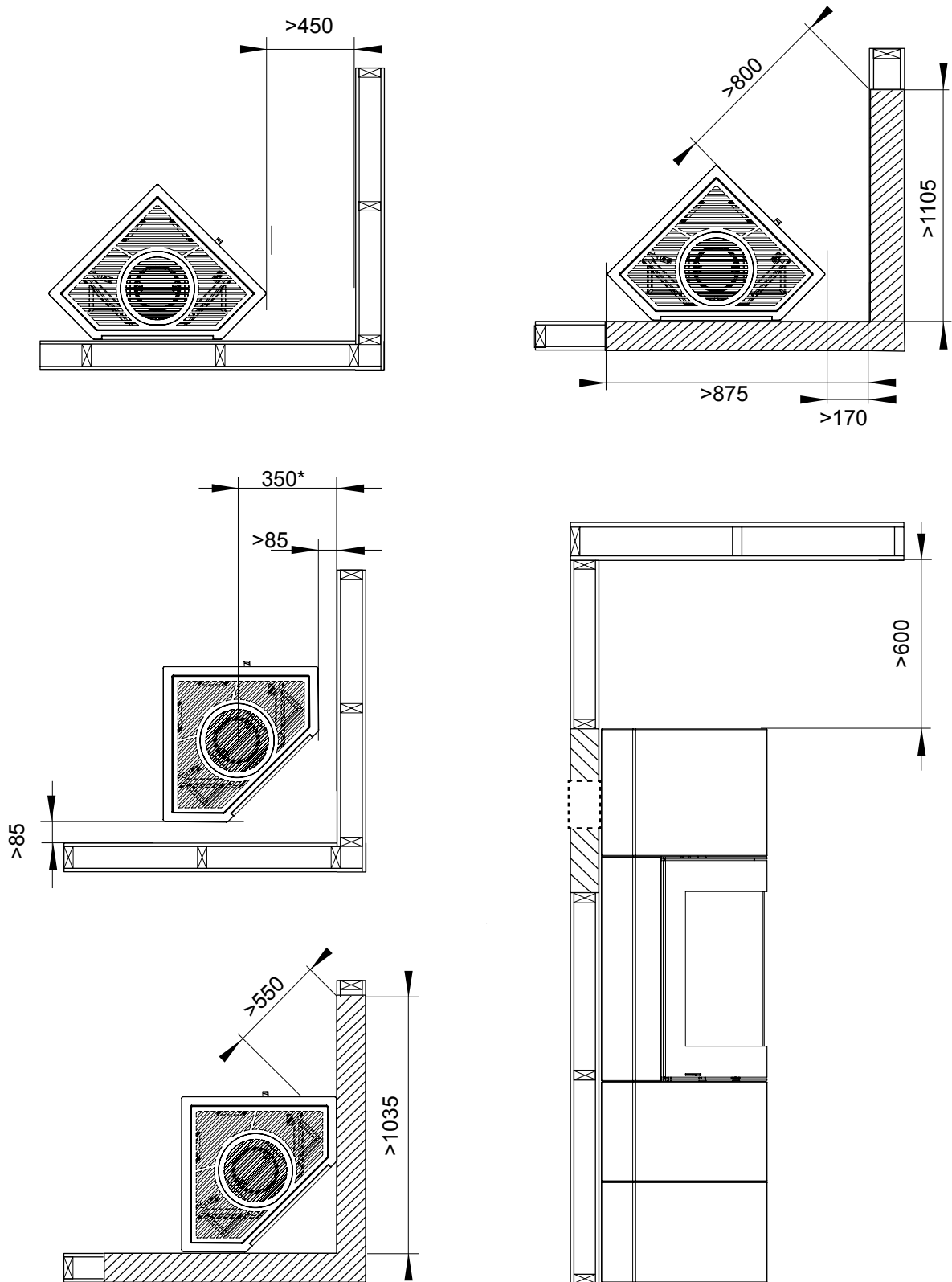


FIG 3

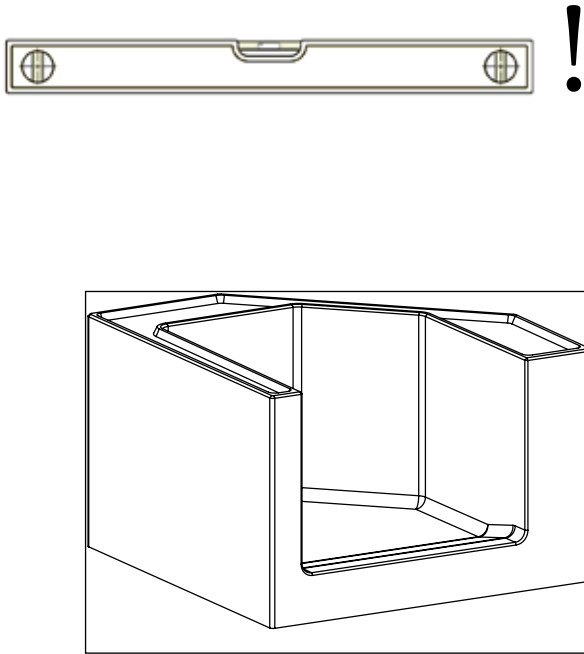


FIG 4

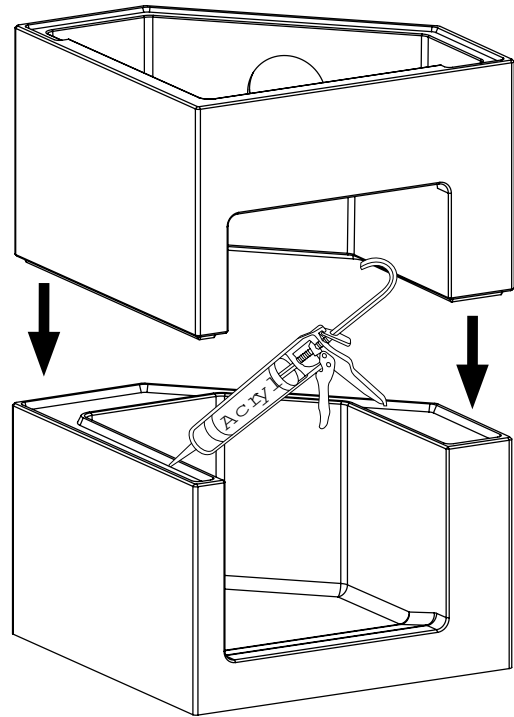


FIG 5

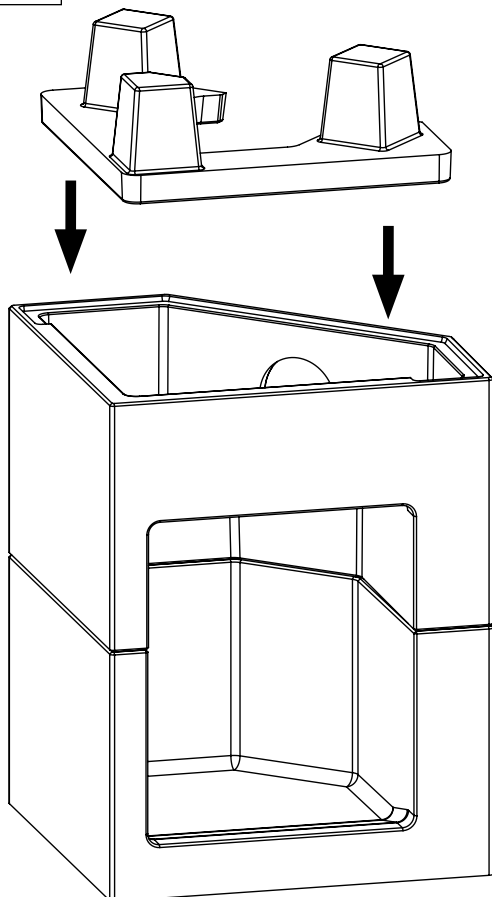


FIG 6

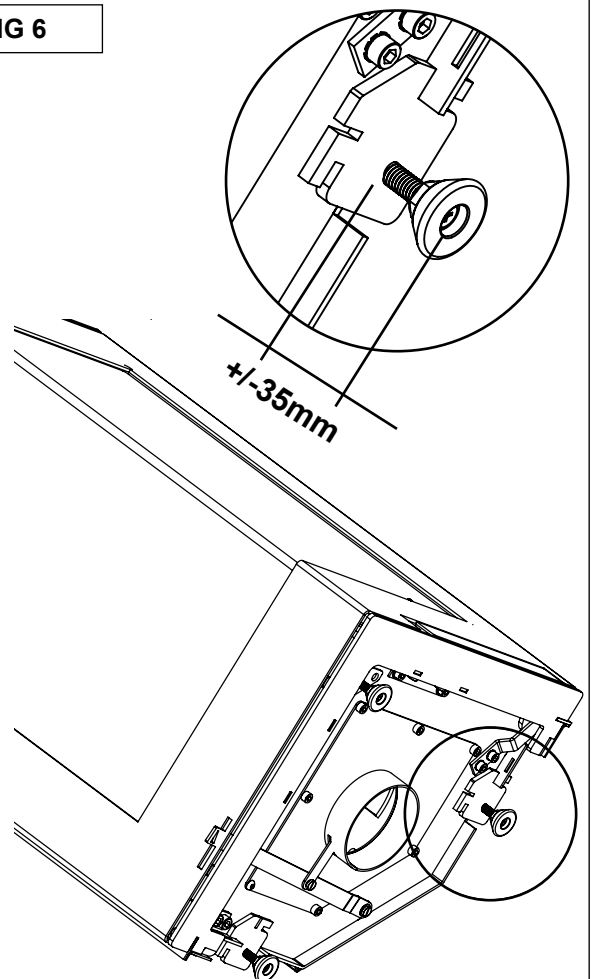


FIG 7

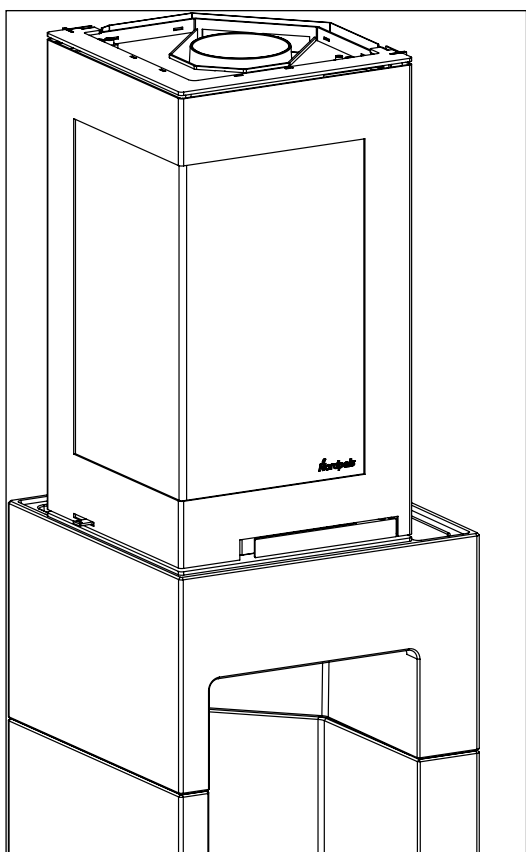


FIG 8

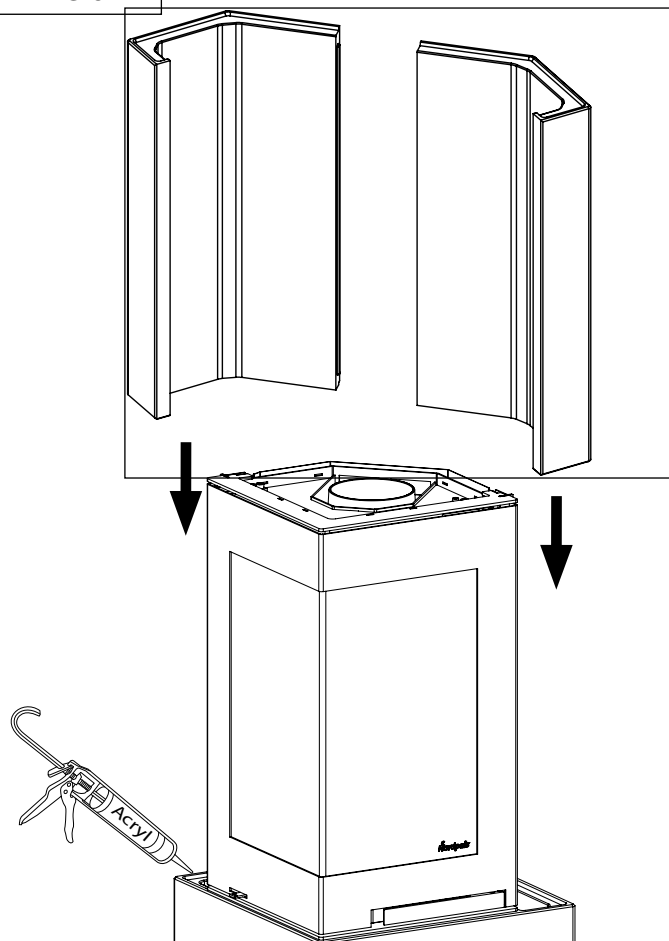


FIG 9

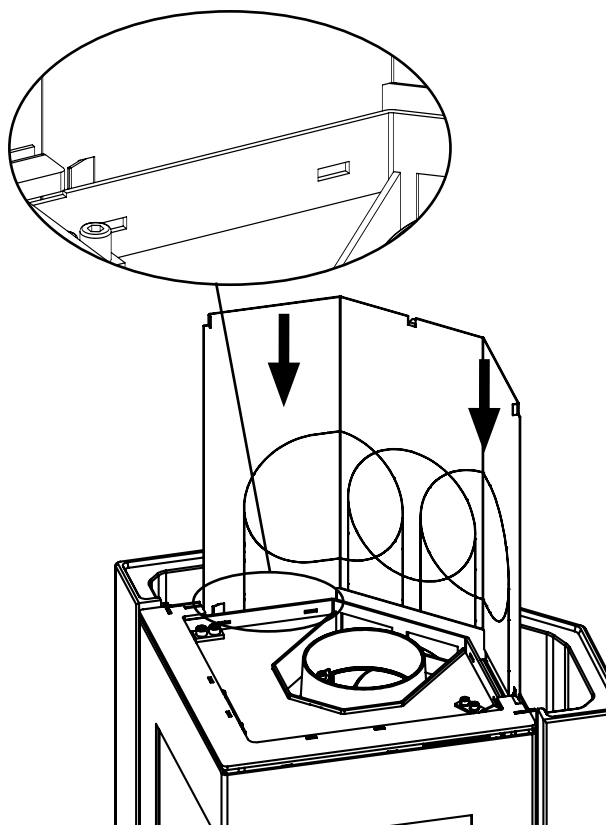


FIG 10

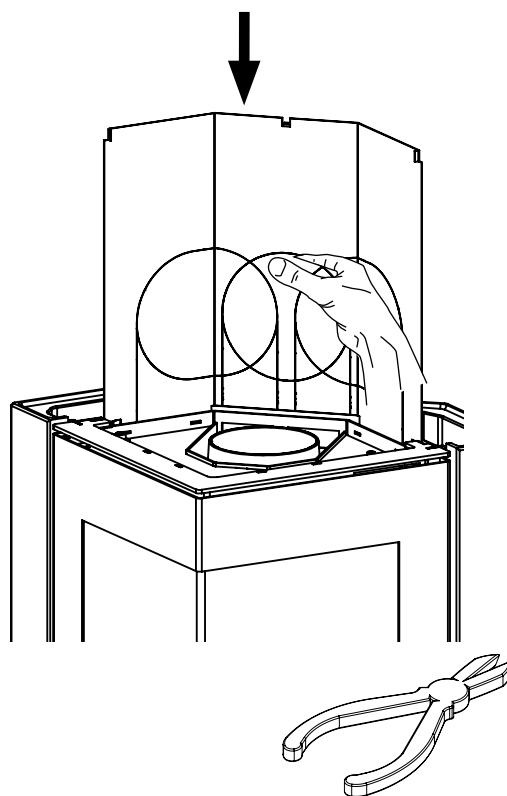


FIG 11

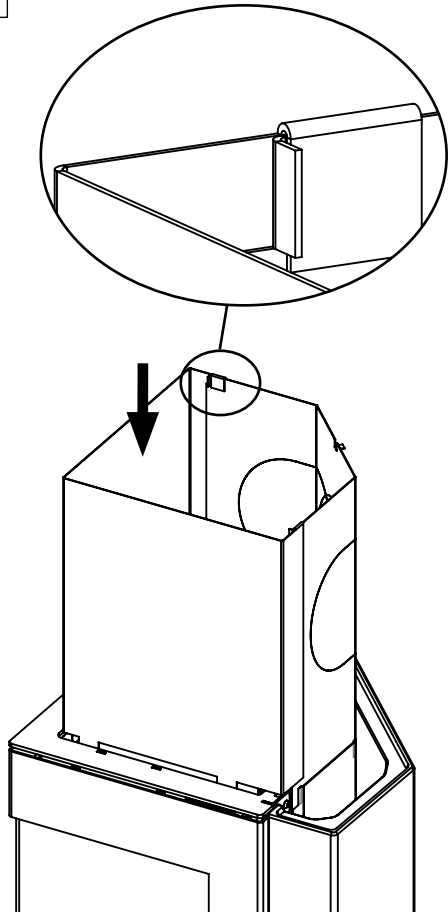


FIG 12

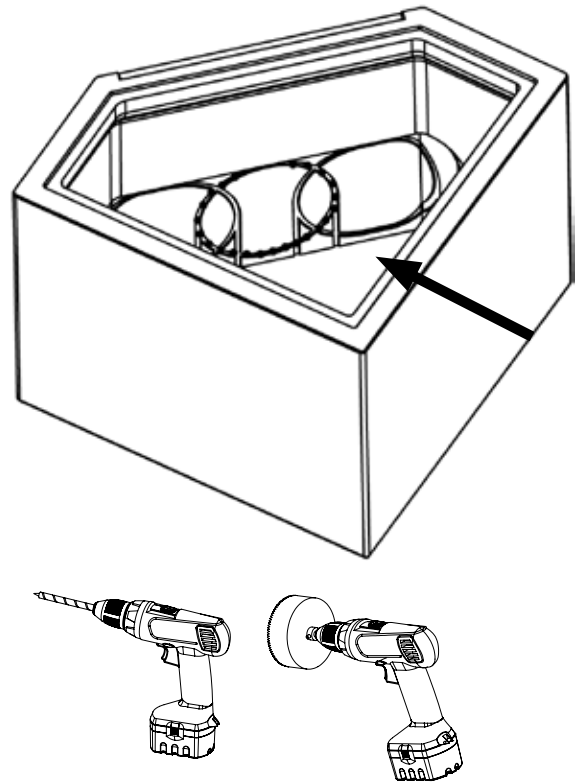


FIG 13

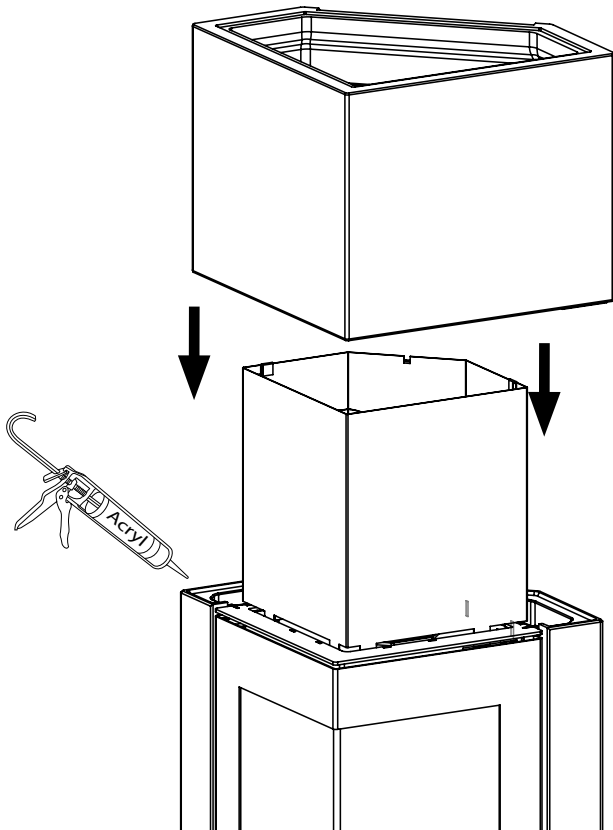


FIG 14

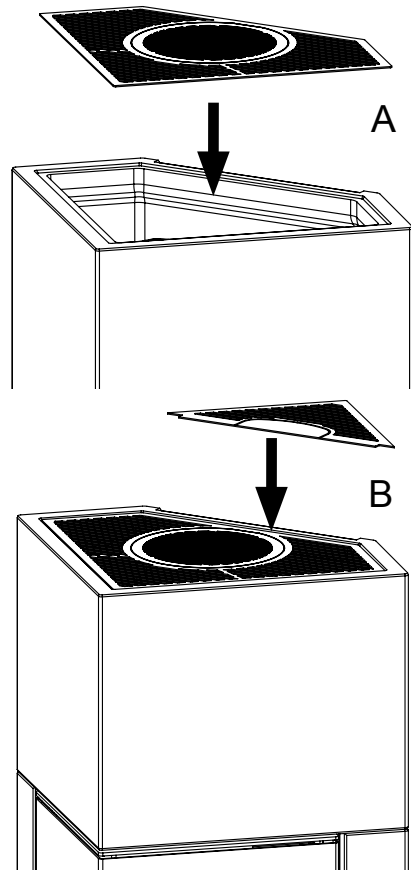


FIG 15

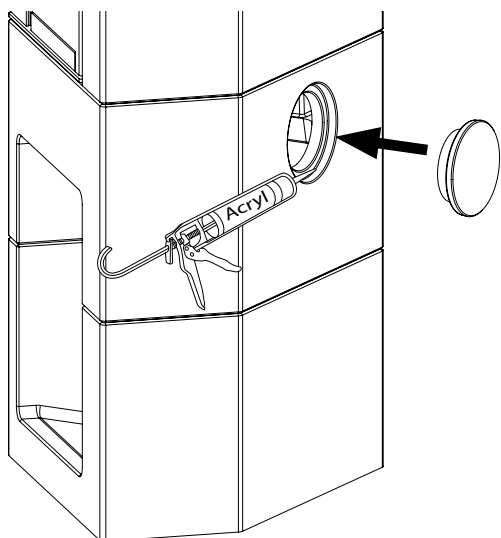


FIG Z

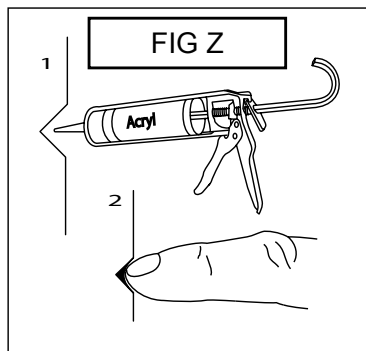
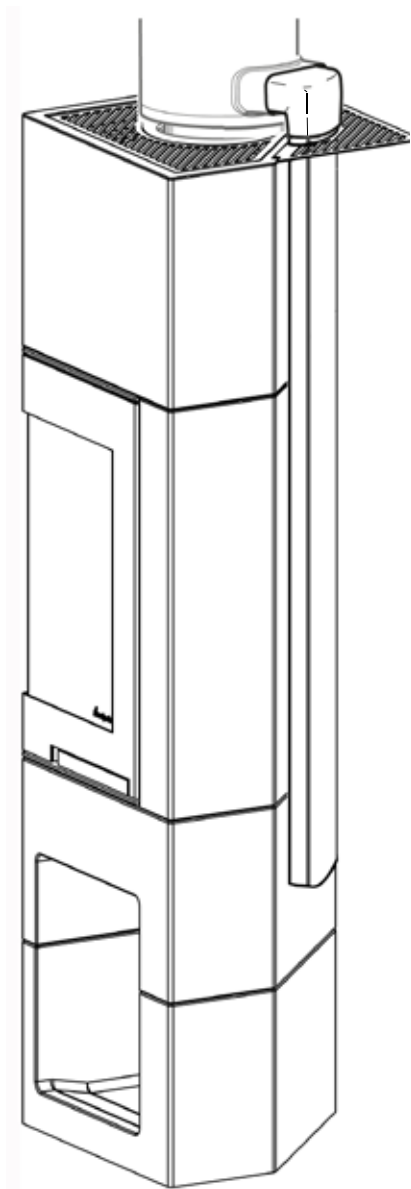
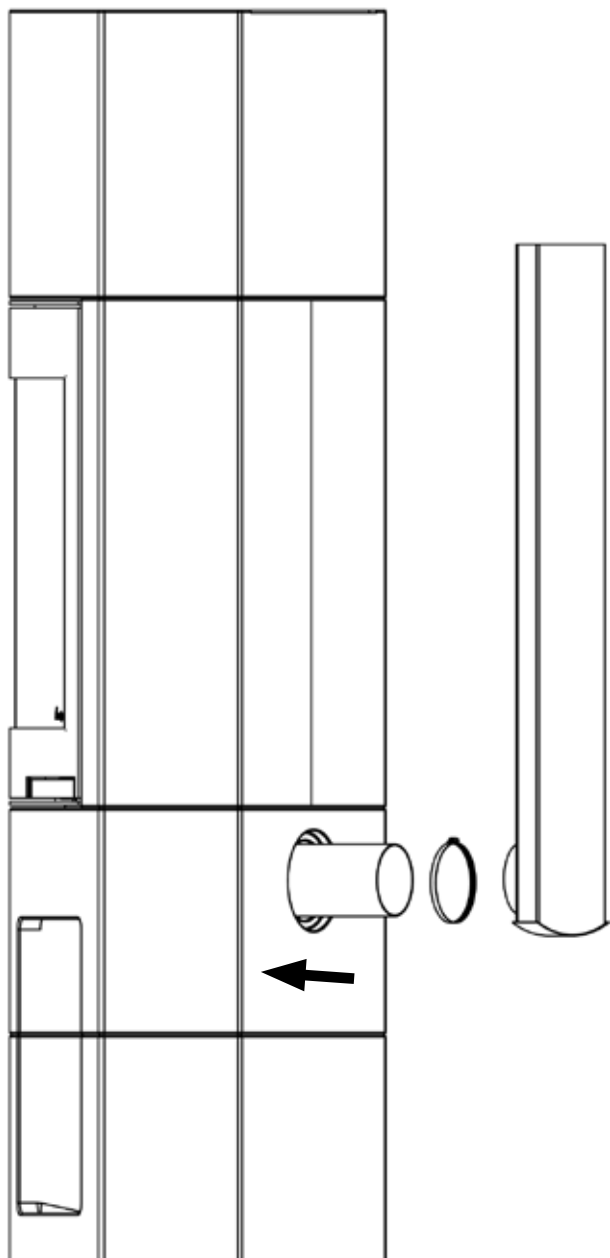
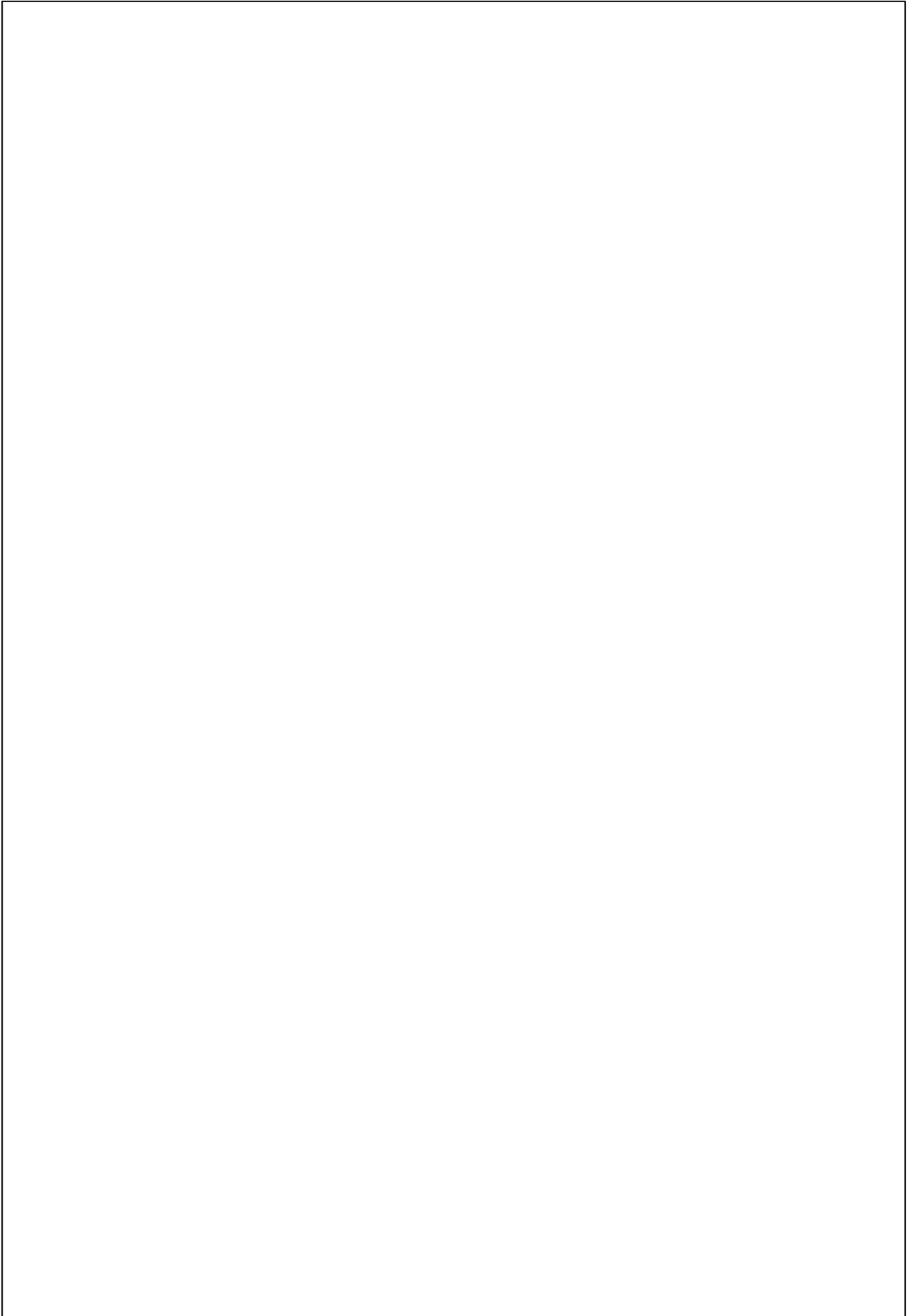
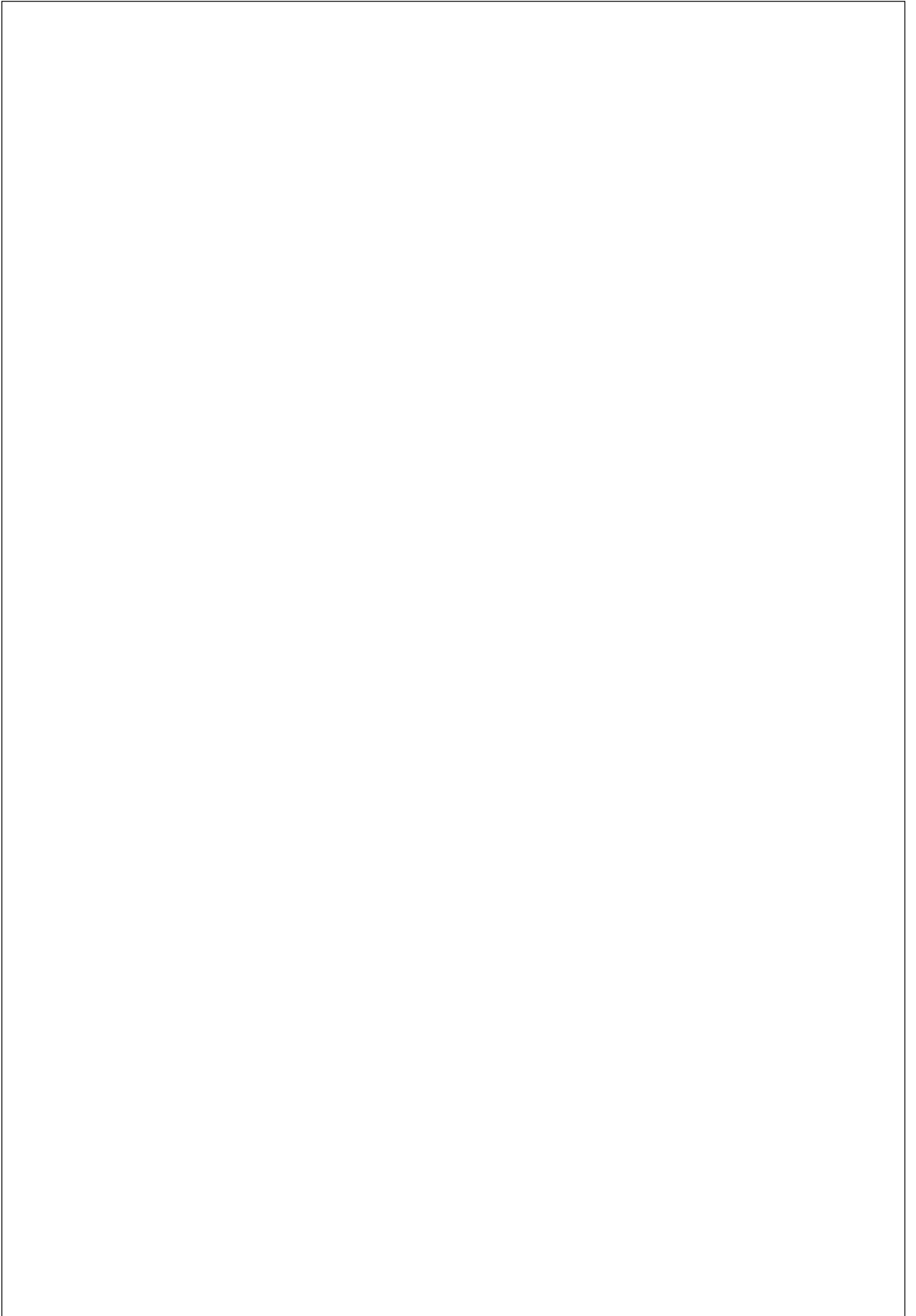


FIG 16









Nordpeis AS, Gjellebekkstubben 11, N-3420 LIERSKOGEN, Norway
www.nordpeis.no