

# OWNER'S MANUAL | MANUEL DE L'UTILISATEUR MANUAL DEL PROPIETARIO | HANDBUCH | MANUALE DELL'UTENTE



ULTIMATE GRIDDLE  
SERIES

# PIT BOSS®

MODEL / MODÈLE / MODELO / MODELL / MODELLO :  
PB2BGD2, PB3BGD2, PB4BGD2, PB5BGD2

PART / PIÈCE / PARTE / TEIL / PARTE :  
10807, 10808, 10809, 10810, 10811, 10812,  
10813, 10814, 10815, 10816, 10817, 10808



## GRIDDLE WITH LIFT-OFF TOP, GRIDDLE WITH CABINET

IMPORTANT, READ CAREFULLY, RETAIN FOR FUTURE REFERENCE. MANUAL MUST BE READ BEFORE OPERATING!

## PLAQUE CHAUFFANTE AVEC PLATEAU RELEVABLE, PLAQUE CHAUFFANTE AVEC ARMOIRE

IMPORTANT, PRENEZ CONNAISSANCE DE CE DOCUMENT ET CONSERVEZ-LE POUR RÉFÉRENCE ULTÉRIEURE. VOUS DEVEZ LIRE CE GUIDE AVANT D'UTILISER LE GRIDDLE!

## PLANCHA CON TAPA ABATIBLE, PLANCHA CON MUEBLE

IMPORTANTE, LEER DETENIDAMENTE, CONSERVAR PARA REFERENCIA FUTURA. LEA EL MANUAL ANTES DEL USO!

## PFANNENGRILL MIT ABNEHMBAREM OBERTEIL, PFANNENGRILL MIT SCHRANK

WICHTIG: AUFMERKSAM LESEN UND GUT AUFBEWAHREN BITTE UNBEDINGT VOR GEBRAUCH DIE BEDIENUNGSANLEITUNG SORGFÄLTIG DURCHLESEN!

## PIASTRA CON PIANO SOLLEVABILE, PIASTRA CON ARMADIO

IMPORTANTE: LEGGERE ATTENTAMENTE E CONSERVARE PER RIFERIMENTO FUTURO. LEGGERE IL MANUALE PRIMA DELL'USO.

For outdoor and household use only. Not for commercial use.

Réserve à l'usage extérieur et résidentiel uniquement. Non destiné à un usage commercial.

Solo para uso doméstico y en el exterior. No apto para uso comercial.

Nur zur Verwendung im Außenbereich und für den privaten Gebrauch. Nicht zur gewerblichen Nutzung geeignet.

Solo per uso domestico ed esterno. Non per uso commerciale.

**WARNING:** PLEASE READ THE ENTIRE MANUAL BEFORE INSTALLATION AND USE OF THIS GAS APPLIANCE. FAILURE TO FOLLOW THESE INSTRUCTIONS COULD RESULT IN PROPERTY DAMAGE, BODILY INJURY OR EVEN DEATH. CONTACT LOCAL BUILDING OR FIRE OFFICIALS ABOUT RESTRICTIONS AND INSTALLATION INSPECTION REQUIREMENTS IN YOUR AREA.

**AVERTISSEMENT :** VEUILLEZ LIRE L'INTÉGRALITÉ DU MANUEL AVANT INSTALLATION ET UTILISATION DE CET APPAREIL À GAZ. LE NON-RESPECT DE CES INSTRUCTIONS PEUT ENTRAÎNER DES DOMMAGES MATÉRIELS, DES DOMMAGES CORPORELS OU MÊME LA MORT. CONTACTEZ LES AUTORITÉS LOCALES COMPÉTENTES CONCERNANT LES RESTRICTIONS ET LES EXIGENCES D'INSPECTION EN VIGUEUR DANS VOTRE RÉGION.

**ADVERTENCIA:** LEA TODO EL MANUAL ANTES DE MONTAR Y USAR ESTA BARBACOA DE GAS. SI NO SE SIGUEN ESTAS INSTRUCCIONES, PUEDEN PRODUCIRSE DAÑOS MATERIALES, LESIONES CORPORALES O INCLUSO LA MUERTE. PÓNGASE EN CONTACTO CON LOS ADMINISTRADORES DEL EDIFICIO O CON LOS BOMBEROS PARA CONSULTAR LAS RESTRICCIONES Y LOS REQUISITOS DE INSPECCIÓN DE LAS INSTALACIONES DE SU ZONA.

**ACHTUNG:** BITTE LESEN SIE DIE GESAMTE ANLEITUNG SORGFÄLTIG DURCH, BEVOR SIE DIESES GASGERÄT AUFSTELLEN UND BENUTZEN. DIE NICHTBEACHTUNG DIESER ANWEISUNGEN KANN ZU SACHSCHÄDEN, VERLETZUNGEN ODER SOGAR ZUM TOD FÜHREN. FÜR EINSCHRÄNKUNGEN SOWIE MONTAGE- UND KONTROLLAUFLAGEN IN IHRER REGION WENDEN SIE SICH AN DIE GEBÄUDE- ODER BRANDBEAUFTRAGTEN VOR ORT.

**AVVERTENZA:** LEGGERE L'INTERO MANUALE PRIMA DELL'INSTALLAZIONE E DELL'USO DI QUESTA APPARECCHIATURA A GAS. LA MANCATA OSSERVANZA DELLE ISTRUZIONI PUÒ CAUSARE DANNI ALLA PROPRIETÀ, LESIONI FISICHE O MORTE. CONTATTARE LE AUTORITÀ LOCALI COMPETENTI PER L'EDILIZIA O I VIGILI DEL FUOCO PER INFORMAZIONI SULLE RESTRIZIONI E SUI REQUISITI DI ISPEZIONE DEGLI IMPIANTI NELLA PROPRIA ZONA.



PB2BGD2



PB3BGD2



PB4BGD2



PB5BGD2



## SAFETY INFORMATION

**MAJOR CAUSES OF APPLIANCE FIRES ARE A RESULT OF POOR MAINTENANCE AND A FAILURE TO MAINTAIN REQUIRED CLEARANCE TO COMBUSTIBLE MATERIALS. IT IS OF UTMOST IMPORTANCE THAT THIS PRODUCT BE USED ONLY IN ACCORDANCE WITH THE FOLLOWING INSTRUCTIONS.**

Please read and understand this entire manual before attempting to assemble, operate or install the product. This will ensure you receive the most enjoyable and trouble-free operation of your new portable gas griddle. We also advise you retain this manual for future reference.

### PROPANE GAS WARNINGS

<p><b>⚠ DANGER</b></p> <p><b>If you smell gas:</b></p> <ul style="list-style-type: none"> <li>• Shut off gas to the appliance.</li> <li>• Extinguish any open flame.</li> <li>• Open lid.</li> <li>• If odor continues, keep away from the appliance and immediately call your gas supplier or your fire department.</li> </ul>	<p><b>⚠ WARNING</b></p> <ul style="list-style-type: none"> <li>• Do not store or use gasoline or other flammable liquids or vapors in the vicinity of this or any other appliance.</li> <li>• An LP cylinder not connected for use shall not be stored in the vicinity of this or any other appliance.</li> <li>• To operate, you will need a precision-filled standard G30/G31 grill liquid propane ("LP") gas cylinder with external valve threads. The maximum diameter and the maximum height of the cylinder is 300 mm (11.8 in) and 600 mm (23.6 in).</li> </ul>
---	--

1. Ensure the gas cylinder is purchased by a reputable supplier. An incorrectly filled or an overfilled LP gas cylinder can be dangerous. The overfilled condition combined with the warming of the LP gas cylinder (a hot summer day, gas cylinder left in the sun, etc.) can cause LP gas to be released since the temperature increase causes gas to expand. Gas released from the cylinder is flammable and can be explosive.
2. Do not use an LP gas cylinder if it has a damaged valve or shows signs of dents, gouges, bulges, fire damage, corrosion, leakage, excessive rust, or other forms of visual external damage; it may be hazardous and should be checked immediately by a liquid propane supplier.

**If you see, smell, or hear the hiss of gas escaping from the cylinder, do not attempt to light appliance. Extinguish any open flame. Disconnect from fuel supply.**

3. Do not connect or disconnect the gas cylinder while the unit is in use or is still hot. When griddle is not in use, ensure regulator knob is turned to OFF and disconnect the gas cylinder. Never move or transport the unit while the gas cylinder is attached. Do not store a spare LP gas cylinder under or near the appliance.
4. Cylinders must be stored outdoors out of reach of children and must not be stored in a building, garage, or any other enclosure area.



5. Do not obstruct the flow of combustion and ventilation air to this appliance. Keep the burner tube and portholes clean and free from debris. Clean before use. Regular care and maintenance is required to prolong the lifespan of your unit. Do not modify the appliance.
6. Always check for gas leaks when you connect and disconnect the regulator to the gas cylinder, especially after a period of storage (for example, over winter). Check all connections for leaks with a soapy water solution and brush. Never use an open flame to check for leaks.
7. Clean and inspect the gas regulator before each use of the outdoor cooking gas appliance. Replace the gas regulator prior to being used if there is evidence of excessive abrasion or wear.
8. Operate this appliance using liquefied petroleum only, which is also specified on the rating label on the unit. Do not attempt to operate your grill on other gases. Do not attempt to convert this LP unit to natural gas. Failure to follow this warning could lead to fire, bodily harm, and will void your warranty.
9. The location of the burner tube with respect to the orifice is vital for safe operation. Check to ensure the orifice is inside the burner tube before using the gas griddle. If the burner tube does not fit over the valve orifice, lighting the burner may cause explosion and/or fire.

## DANGERS AND WARNINGS

**You must contact your local home association, building or fire officials, or authority having jurisdiction, to obtain the necessary permits, mission or information on any installation restrictions, such as any griddle being installed on a combustible surface, inspection requirements or even ability to use, in your area.**

1. A minimum clearance of 1,270 mm (50 in.) from combustible constructions to the sides of the griddle, and 1,270 mm (50 in.) from the back of the griddle to combustible constructions must be maintained. **Do not install appliance on combustible floors, or floors protected with combustible surfaces unless proper permits and permissions are obtained by authorities having jurisdiction.** Do not use this appliance indoors, in an enclosed or unventilated area, inside homes, vehicles, tents, garages. This LP gas griddle appliance must not be placed under overhead combustible ceiling or overhang. Keep your griddle in an area clear and free from combustible materials, gasoline and other flammable vapors and liquids.

**Should a grease fire occur, turn the griddle OFF until the fire is out. Do not throw water on. Do not try to smother the fire. Use of an all-class (class ABC) approved fire extinguisher is valuable to keep on site. If an uncontrolled fire does occur, call the Fire Department.**

2. This outdoor grill is not intended for installation in/on recreation vehicles or boats.

**Never use this appliance in an enclosed space, such as a camper, tent, car, boat or home. This appliance is not intended for and should never be used as a heater.**

3. This appliance is not recommended for children, persons with reduced physical, sensory or mental capabilities, or lack of experience and knowledge, unless they are under direct supervision or instruction by a person responsible for their safety.
4. Parts of the barbecue may be very hot, and serious injury may occur. Keep young children and pets away while in use. Do not touch hot surfaces. Use heat-resistant gloves, long-handled tongs, or cooking mitts at all times, since the grill will become very hot. Do not move the appliance during use.
5. Never use the grill without the grease cup installed and hung under the firebox. Without the grease cup, hot grease and debris could leak downward and produce a fire hazard.

## CARBON MONOXIDE ("THE SILENT KILLER")

Always use a gas appliance outdoors in an open area with good ventilation to avoid breathing toxic fumes from combustion or leaking gas. Carbon monoxide is a colorless, odorless, tasteless gas produced by burning gas, wood, propane, charcoal or other fuel. Carbon monoxide reduces the blood's ability to carry oxygen. Low blood oxygen levels can result in headaches, dizziness, weakness, nausea, vomiting, sleepiness, confusion, loss of consciousness or death. Follow these guidelines to prevent this colorless, odorless gas from poisoning you, your family, or others:

- See a doctor if you or others develop cold or flu-like symptoms while cooking or in the vicinity of the appliance. Carbon monoxide poisoning, which can easily be mistaken for a cold or flu, is often detected too late.
- Alcohol consumption and drug use increase the effects of carbon monoxide poisoning.

Carbon monoxide is especially toxic to mother and child during pregnancy, infants, the elderly, griddles, and people with blood or circulatory system problems, such as anemia, or heart disease.

## SAFETY LISTING

In accordance with the procedures and specifications by Conformité Européenne (CE), Pit Boss® Grills gas appliances demonstrates compliance through testing to the standards and directives that comply with all safety, health and environmental protection requirements by the EU (European Union) and the European Economic Area (EEA).



	HEAT INPUT	NUMBER OF BURNERS					COUNTRY OF USE
		STRAIGHT BURNER	P BURNER	TYPE OF BURNER	INJECTOR SIZE	GAS/PRESSURE	
<b>PB2BGD2</b>	7.63 KW G30 – 555 g/h G31 – 545 g/h	1	1	STRAIGHT BURNER	0.8 mm	G30 at 28-30 mbar G31 at 37 mbar G30/G31 mixture at 30 mbar	<b>I3+</b> (28-30/37) : BE, CH, CY, CZ, ES, FR, GB, GR, IE, IT, LT, LU, LV, PT, SK, SI  <b>I3B/P (30)</b> : BE, CY, DK, EE, FR, GB, HU, IT, LT, NL, NO, SE, SI, SK, RO, HR, TR, BG, IS, LU, MT, FI  <b>I3B/P (37)</b> : PL  <b>I3B/P (50)</b> : AT, DE, SK, CH
<b>PB3BGD2</b>	10.5 KW G30 – 768 g/h G31 – 755 g/h	2	1		0.75 mm	G30/G31 mixture at 37 mbar	
<b>PB4BGD2</b>	13.49 KW G30 – 982 g/h G31 – 964 g/h	3	1	P BURNER	0.72 mm	G30/G31 mixture at 50 mbar	
<b>PB5BGD2</b>	14.65 KW G30 – 1066 g/h G31 – 1047 g/h	5	0		1.02 mm	G30 at 28-30 mbar G31 at 37 mbar G30/G31 mixture at 30 mbar	
					0.97 mm	G30/G31 mixture at 37 mbar	
					0.93 mm	G30/G31 mixture at 50 mbar	



**COPYRIGHT NOTICE**

Copyright 2021. All right reserved. No part of this manual may be copied, transmitted, transcribed, stored in a retrieval system, in any form or by any means without expressed written permission of,

**DANSONS EUROPE**

11 Rue Galvani Paris, France 75017

**DANSONS NORTH AMERICA**

3411 North 5th Avenue, Suite 500, Phoenix, Az, USA 85013

**CUSTOMER CARE**

[www.pitboss-grills.com](http://www.pitboss-grills.com)

**TABLE OF CONTENTS**

Safety Information ..... 2

Connecting To A Gas Supply

- Gas Cylinder Requirements.....6
- Installing A Gas Connector To The Manifold.....6
- Connecting A Gas Cylinder.....7
- Preparation For Use – Leak Testing .....8
- Disconnecting A Gas Cylinder.....8

Operating Instructions

- Griddle Environment.....9
- First Use – Griddle Burn-Off.....10
- Lighting Procedure .....10
- Manual Lighting Procedure .....11
- Shutting Off Your Griddle .....11

Lifting The Griddle Off The Cart..... 12

Using The Trash Bag Holder ..... 13

Care and Maintenance ..... 14

Tips & Techniques ..... 15

Troubleshooting ..... 16

Replacement Parts.....17

Warranty ..... 21

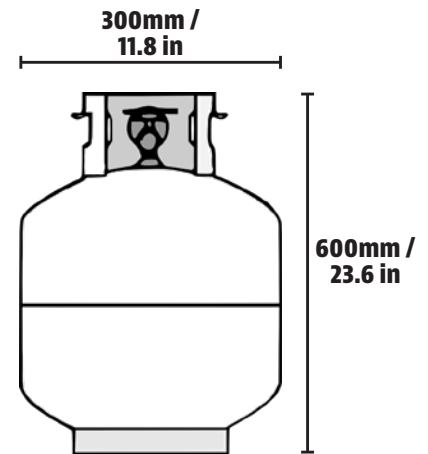
# CONNECTING TO A GAS SUPPLY

## GAS CYLINDER REQUIREMENTS

To operate, you will need a precision-filled standard G30/G31 grill liquid propane ("LP") gas cylinder with external valve threads. Use standard flexible tube with length less than 1.5 m (59 in). The tube shall be readily visible across its entire length for inspection after installation.

The maximum diameter and the maximum height of the cylinder is 300 mm (11.8 in) and 600 mm (23.6 in) as shown in illustration.

**CAUTION: You must have the proper regulator which relevant standard is EN16129 and bottle in order for the barbecue to operate safely and efficiently. Use of an incorrect or faulty regulator is dangerous and will invalidate any warranty. It is important to inspect the full length of the tube. If it is evident there is excessive abrasion or wear, or the tube is cut, the tube must be replaced prior to the appliance being used.**



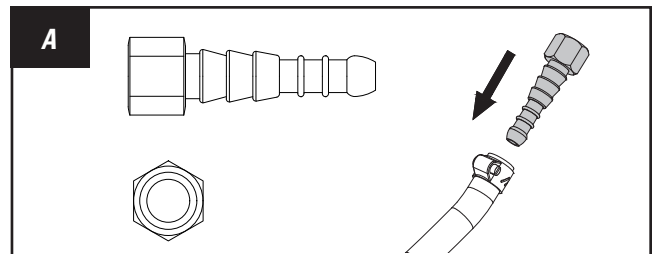
## INSTALLING A GAS CONNECTOR TO THE MANIFOLD

Based on location and country of purchase, not all distributors sell the griddle with a regulator included. A Manifold Transition Kit is provided should a gas regulator not come pre-assembled. Select the connector from the supplied Manifold Transition Kit that is required for your gas manifold and regulator tubing. To ease installation of the gas connector, lift-off or disconnect the griddle from the cart. Place upside-down on a piece of cardboard to prevent scratches or damage.

- **CONNECTOR A - TAPERED**

Insert the tapered end of the Connector into your regulator tubing, then lock tight using a hose clamp.

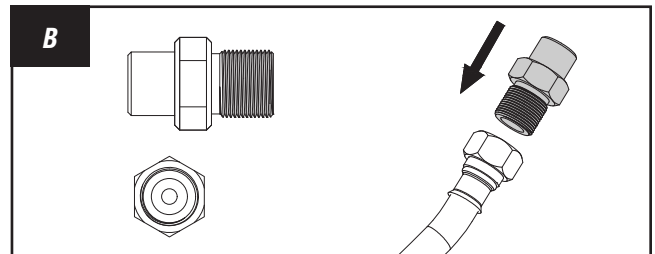
Note illustration A.



- **CONNECTOR B - THREADED**

Insert the threaded male Connector into the regulator tube female end. Rotate to tighten completely.

Note illustration B.



Continue to next step for gas cylinder installation. Keep the griddle removed from the cart.

## CONNECTING A GAS CYLINDER

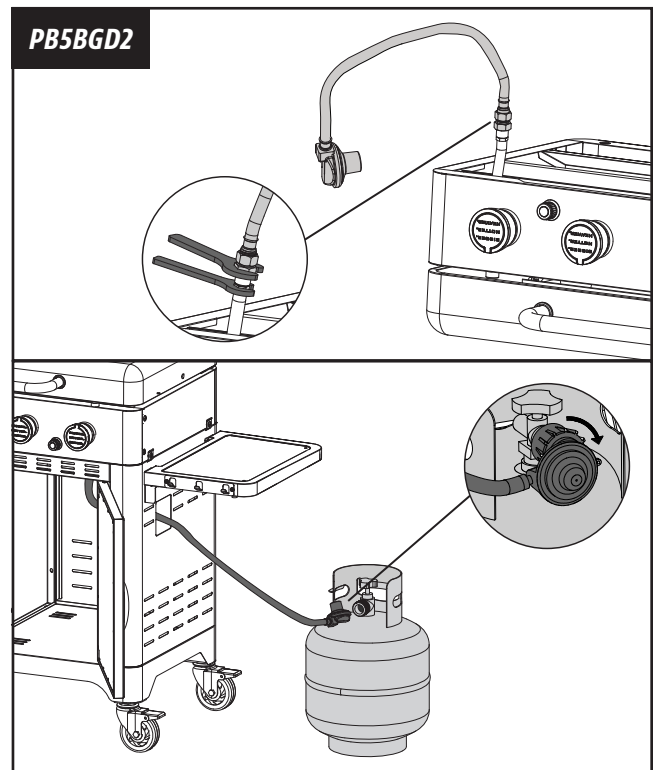
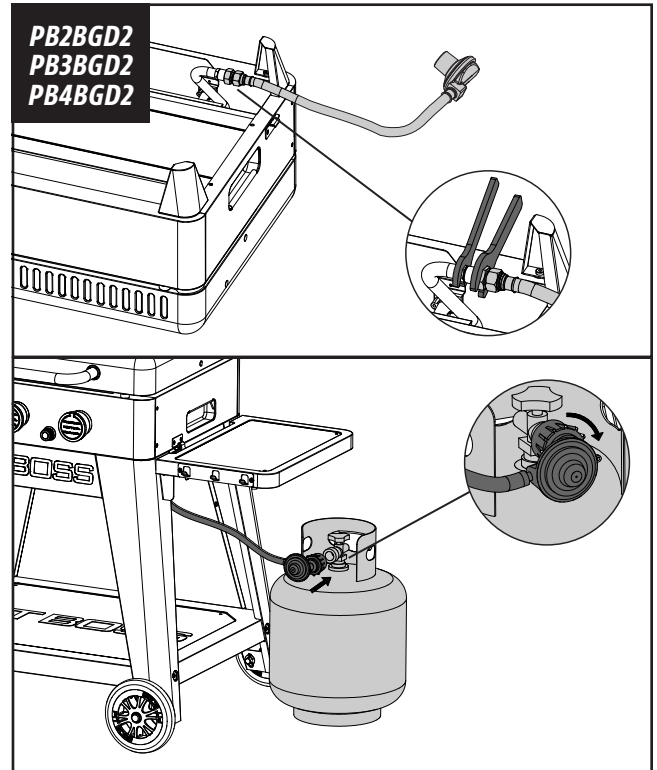
**IMPORTANT:** If the manifold requires a connector, follow the connector installation instructions prior to connecting the unit to a gas cylinder.

Before connecting, ensure there is no debris caught in the head of the gas cylinder, head of the regulator valve, or in the head of the burner and burner ports.

1. If a regulator comes pre-installed, skip to next step.  
If a connector from the Manifold Transition Kit was installed, keep the griddle off the cart for the regulator installation. Connect the regulator tube line to the griddle manifold by tightening completely with a wrench. Re-install the griddle onto the cart once the regulator and regulator tubing are installed. Make sure that the regulator tubing is not twisted or pinched in any way once the griddle is back on the cart.
2. For the Griddle with Cabinet, pull the regulator and regulator tubing through the opening on the cart right wall.
3. Place a gas cylinder next to the cart on the right side. Make sure the gas cylinder valve is in the CLOSED position. It is important to ensure the gas cylinder is completely upright, as it is unsafe to operate the griddle if the gas cylinder is not properly level or on a stable surface.
4. Ensure the control knobs on the griddle are completely closed by turning the knob clockwise to the "O" (OFF) position.
5. Remove the protective caps from the regulator valve opening and the top of the gas cylinder. Save the caps.
6. Insert the gas cylinder valve into the threaded opening of the regulator valve. Turn the quick coupling nut clockwise until firm. Hand-tighten only.
7. Gas cylinder is now installed. Perform a leak test.

**WARNING:** Shut off the gas cylinder if you smell gas. Attempt to re-install the gas cylinder to ensure that tube is connected properly. Perform a leak test.

**NOTE:** The normal flow of gas through the regulator and hose assembly can create a humming noise. A low volume of noise is perfectly normal and will not interfere with operation of the griddle. If humming noise is loud and excessive you may need to purge air from the gas line or reset the regulator excess gas flow device. This purging procedure should be done every time a new LP gas tank is connected to your griddle.





## PREPARATION FOR USE – LEAK TESTING

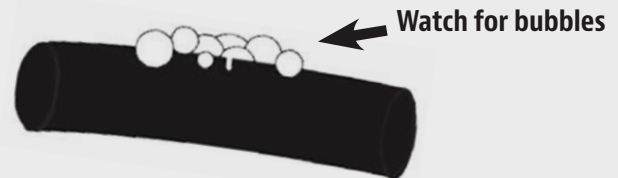
A leak test is used to determine the integrity of a seal. Before using your gas griddle, perform a leak test on the connection between the regulator and the gas cylinder to reduce the risk of serious bodily injury or death from fire or explosion. A leak test should be performed a minimum of once a season, as well as:

- before lighting your griddle for the first time,
- every time the gas cylinder has been changed,
- after travel, especially over rough or bumpy roads,
- after a prolonged period of storage or non-use.

### HOW TO PERFORM A LEAK TEST

#### Supplies Required:

- 1 x Bowl (*empty, clean*)
- 1 x Paint Brush (*clean*)
- Dish Washing Liquid
- Water



#### Procedure:

1. Position the griddle in a well-ventilated area. Ensure the griddle is cool to the touch, and not in use. Verify that the regulator valve is turned to the OFF position and that the gas cylinder is tightened securely to the regulator.

**IMPORTANT: Ensure there is no open flame or griddles nearby.**

2. Mix a solution of one part of water with one part of dish washing liquid in a bowl. The solution will make bubble, as it will be concentrated.
3. Use a paint brush to apply the solution onto the seal between the regulator and the gas cylinder, and between the manifold and the connector. Visually inspect for streams of bubbles coming from a defect or break in the seal.

**NOTE: If a leak appears, repeat gas cylinder installation procedure, but do not over-tighten. Hand-tighten only. Repeat leak test after re-installation to ensure seal is secure.**

**IMPORTANT: Do not use the gas griddle if you detect a gas leak that cannot be corrected by using the leak test procedure. Contact your local Fire Department or Customer Care for alternative measures of testing to ensure proper precaution.**

## DISCONNECTING A GAS CYLINDER

1. Turn all Control Knobs to "O" (OFF) position on the griddle. Ensure the Regulator Valve on the gas cylinder is completely closed by turning the knob to the CLOSED position.
2. Turn the quick coupling nut counter-clockwise (by hand) to disconnect from the regulator valve opening. Replace the protective caps on the Regulator Valve opening and the top of the gas cylinder for storage (if not empty).

**NOTE: If storing the griddle indoors, leave the gas cylinder outdoors.**

**WARNING: Do not fold up or transport griddle with gas cylinder attached. The cylinder may loosen off the valve and cause a gas leak, possibly resulting in an explosion, fire, or severe bodily harm. Disconnect gas cylinder first before travel or storage.**

# OPERATING INSTRUCTIONS

EN

ENGLISH

## GRIDDLE ENVIRONMENT

### 1. *WHERE TO SET-UP THE GRIDDLE*

With all outdoor appliances, outside weather conditions play a big part in the performance of your griddle and the cooking time needed to perfect your meals. All Pit Boss® Grills units should keep a minimum clearance of 1,270 mm (50 inches) from combustible constructions, and this clearance must be maintained while the unit is operational. This appliance must not be placed under overhead combustible ceiling or overhang. Keep your griddle in an area clear from combustible materials, or other flammable vapors and liquids.

### 2. *COLD WEATHER COOKING*

As it becomes cooler outside, that does not mean that grilling season is over! The crisp cool air and heavenly aroma of grilled foods will help cure your winter blues. Follow these suggestions on how to enjoy your griddle throughout the cooler months:

- Organize – Get everything you require ready in the kitchen before you head outdoors. During the winter, move your griddle to an area that is out of the wind and direct cold. Check local bylaws regarding the proximity of your griddle in relation to your home and/or other structures. Put everything you need on a tray, bundle up tight, and get it done!
- To help keep track of the outside temperature, place an outdoor thermometer close to your cooking area. Keep a log or history of what you cooked, the outdoor temperature, and the cooking time. This will help later down the road to help you determine what to cook and how long it will take.
- Have a heated platter or a dish cover ready to keep your food warm while making the trip back inside.

### 3. *HOT WEATHER COOKING*


As it becomes warmer outdoors, the cooking time will decrease. Follow these few suggestions on how to enjoy your griddle throughout the hot months:

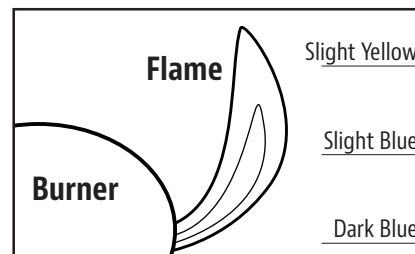
- Adjust your cooking temperatures downward. This helps to avoid unwanted flare-ups.
- Use a meat thermometer to determine the internal temperature of your foods. This helps in preventing your meat from over cooking and drying out.
- You can keep foods hot by wrapping them in foil, and placing them in an insulated cooler. Stuff crumpled up newspaper around the foil and this will keep food hot for 3 to 4 hours.

## FIRST USE – GRIDDLE BURN-OFF

Before using your griddle for the first time with food, it is important to complete a burn-off. Start the griddle and operate for a minimum of 15 minutes on HIGH to burn-off the unit. This will “heat clean” the internal components, dissipate odors and rid it of any foreign matter.

### LIGHTING PROCEDURE

1. Open lid during lighting.
2. Set all control knobs to the “O” position.
3. Open the cylinder/gas valve according to the operating instructions on tank.
4. Push and turn the burn control knob counter-clockwise to “ (light position)”.
5. Push igniter button until burner lights.
6. If ignition does not occur within 5 seconds, turn valve to “O”, wait 5 minutes, and repeat lighting instruction. After lighting, observe the burner flame. Make sure all burner ports are lit and flame height matches illustration shown.
7. If the above points do not work, follow **Manual Lighting Procedure**.



**If the burner goes out during operation, turn the control knobs to the "O" (OFF) position. Wait five minutes before attempting to relight to allow any accumulated gas to dissipate.**

### IGNITER FAILURE PROCEDURE

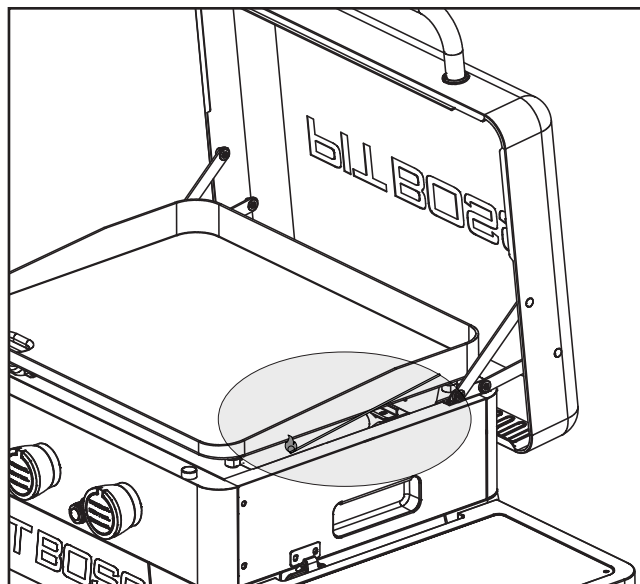
**If for any reason your igniter fails after three or four attempts, check the following steps, or start your griddle using the manual method.**

1. Ensure the control knobs are turned to the OFF position. Allow any accumulated gas to dissipate.
2. After five minutes, check the following:
  - Visually confirm that the igniter is working by pushing the igniter button and looking at the igniter tip for a spark. If no spark, adjust the distance between the igniter (electrode) tip and burner to 4.5 mm (3/16 in).
  - Visually confirm that the burner tube and portholes are not obstructed. If blocked, follow **Care & Maintenance** instructions.
3. If the above points do not work, follow **Troubleshooting** instructions.

## MANUAL LIGHTING PROCEDURE

1. Open lid during lighting.
2. Set all control knobs to the "0" position.
3. Open the cylinder/gas valve according to the operating instructions on tank.
4. Quickly and carefully, use a lit match or long-nosed lighter to light the burner. Gain access to the burner from beneath the Hot Plate. Position lit match near the side of the burner.

**CAUTION: Do not attempt to light another area of the burner. This can cause injury.**



5. Push and turn the burner control knob counter-clockwise to "🔥 (light position)", hold this knob in for 10 seconds after the burner is lit. You will hear the "snapping" sound of the spark until after the knob is released.

**NOTE: Do not use spirit, lighter-fluid or kerosene for lighting or refreshing a fire in your griddle.**

6. If the burner does not light within 5 seconds, turn burner control knob to "0", wait 5 minutes, and repeat lighting instruction. After lighting, observe the burner flame. Make sure all burner ports are lit and flame height matches illustration shown previously.

**NOTE: Each burner lights independently - repeat same steps for other burners.**

**WARNING: Never lean over the cooking area while lighting your gas griddle. Keep your face and body a safe distance (at least 457 mm / 18 inches) from the cooking grid surface when lighting your griddle by match.**

7. If the above points do not work, see *Troubleshooting*.

## SHUTTING OFF YOUR GRIDDLE

1. When finished cooking, turn gas cylinder valve to the CLOSED position, and allow the regulator knob to pop out. This safety feature locks the regulator knob to ensure that the gas is no longer flowing.
2. Turn control knobs to the "0" position.

**NOTE: A "poof" sound is normal as the last of the LP gas is burned.**

3. Disconnect gas supply by following the *Disconnecting A Gas Cylinder* instructions.

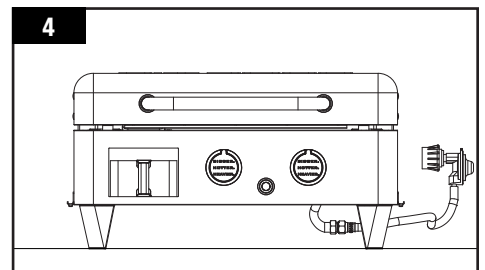
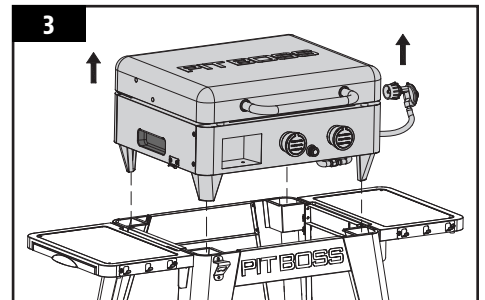
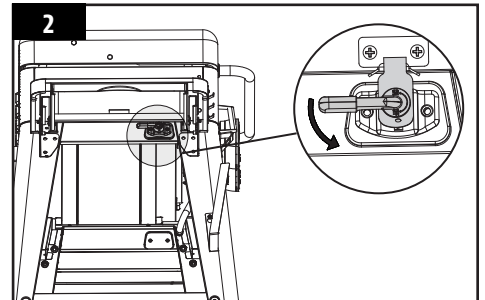
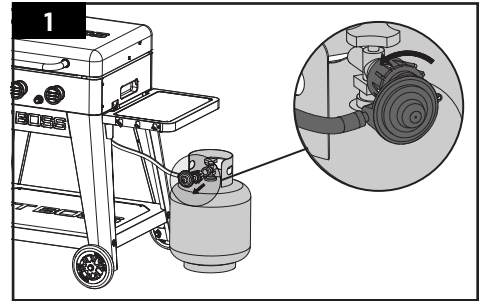
**WARNING: Allow the griddle to cool completely, and remove the gas cylinder, before moving, travel, or for storage.**

## LIFTING THE GRIDDLE OFF THE CART

If you have the PB2BPGG, PB3BPGG, PB4BPGG model griddles, they can quickly and easily be lifted off the cart for tailgating or travel. Simply follow the assembly instructions in reverse or the following summary:

**IMPORTANT: Always ensure the griddle is completely cooled, disconnected from a gas supply, and that the grease cup is removed.**

1. Disconnect the unit from the gas supply. Detach the pressure regulator assembly from the cylinder valve by turning the quick coupling nut counter-clockwise.
2. Turn the latches (one on each side) to unlock the Firebox from the Cart.
3. Using two people, carefully lift the Griddle off the Cart using the inset grooves on each side. Take special care of the regulator and hosing as you lift.
4. Place the Firebox on the ground, or to desired location, immediately to avoid injury to yourself or damage to the unit.



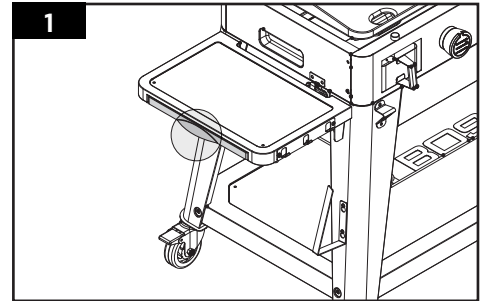


# USING THE TRASH BAG HOLDER

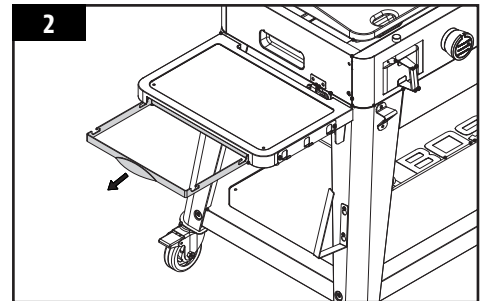
Trash collection has never been easier with the Trash Bag Holder. Located under the left Side Shelf, this stainless steel frame is easy to clean and works with a standard, regular-sized plastic grocery bag, typically around 10–20 litres (2.5–5 gallons) in volume. The frame is also designed to hold most standard trash bags (with or without handles) up to 60 litres (16 gallons) in volume.

**IMPORTANT: Be aware of how much weight is put into the bag on the Trash Bag Holder. Change the bag often to avoid compromising the integrity of the Trash Bag Holder structure and components.**

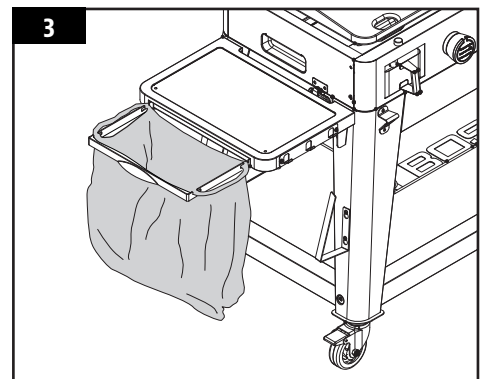
1. Locate the Trash Bag Holder grip on the left Side Shelf.



2. Pull out the Trash Bag Holder to expose the frame brackets.



3. Add a plastic grocery bag or standard trash bag to the Trash Bag Holder. Use the handles of a grocery bag to loop around the frame brackets, or loop the trash bag around three sides of the frame to keep in place.



# CARE AND MAINTENANCE

## CHECKING THE GAS LEVEL

To check the amount of fuel in a gas cylinder, the griddle must be in operation. Place your hand at the top of the gas cylinder and slowly move down the side until the gas cylinder feels cool to the touch. This will indicate the approximate amount of gas in your gas cylinder; if  $\frac{3}{4}$  empty, replace with a full gas cylinder.

**IMPORTANT: Do not use charcoal briquettes or any flammable material with your griddle. Use of such material will void your warranty and may lead to a fire, explosion and bodily harm.**

## CLEANING FREQUENCY

Any Pit Boss® unit will give you many years of flavorful service with minimum cleaning. Follow these cleaning and maintenance tips to service your griddle:

### 1. BURNER COMPONENTS

- Clean the burner whenever heavy build-up is found, to ensure that there are no signs of blockage (debris, insects) on the burner tube or in the burner portholes. After periods of storage, spiders or small insects can build nests, webs, and lay eggs in the burner tube, obstructing the flow of gas to the burner. A clogged tube can lead to a fire beneath the appliance. If storing the griddle or before an extended period of non-use, remove the burner and wrap with aluminum foil to reduce the risk of insects entering the burner holes.
- The burner has been preset for optimal flame performance. A blue flame, possibly with a small yellow tip, is the result of the optimal air and gas mixture. If flames are excessively yellow, orange or irregular, clean the oil and food deposits on the burner surface and the burner portholes to increase airflow.

### 2. COOKING COMPONENTS

- The Hot Plate of your griddle is ceramic-coated. The best utensils to use are wood, silicone, or nylon, as these materials will reduce the wear on the cooking surface.
- The unit comes pre-seasoned from the factory, but it is important to clean and season the Hot Plate after each use to prevent rust, extend the life of your griddle, and create a non-stick cooking surface. The seasoning of the griddle is a continuous process that must be repeated over the life of your griddle to ensure the best cooking experience and longest life of use.
  1. Clean the Hot Plate after each use, using a spatula or scraper to remove all food and debris.
  2. Liberally apply an even coat of cooking oil to the cooking surface. Vegetable, olive, peanut, coconut, and sesame oils are all suitable for seasoning your griddle.
  3. Allow to cool in a cool, dry location.

### 3. GRIDDLE EXTERIOR

- Check your Grease Cup often, and clean out as necessary. Keep in mind the type of foods that are cooked.
- Use a cover to protect your griddle for complete protection! A cover is your best protection against weather and outside pollutants. When not in use or for long-term storage, keep the unit under a cover in a garage or shed, with the gas cylinder removed (cylinders must be stored outdoors).

**CLEANING TIME TABLE (NORMAL USE)**

ITEM	CLEANING FREQUENCY	CLEANING METHOD
Hot Plate	After each use	Burn off excess, scrub pad & soapy water, season with cooking oil
Grease Cup	After each use	Empty, scrub pad & soapy water
Burner Tube, Portholes	Every 5-6 uses	Dust, scrub pad & soapy water
Burners	Every 5-6 uses	Scrub pad & soapy water
Cart	As needed	Non-abrasive cloth & soapy water

## TIPS & TECHNIQUES

Follow these helpful tips and techniques, passed on from Pit Boss® owners, our staff, and customers just like you, to become more familiar with your grill:

### 1. *FOOD SAFETY*

- Use different platters and utensils for the cooked meat than the ones you used to prepare or transport the raw meat out to the grill. This will prevent cross contamination of bacteria. Each marinade or sauce should have its own utensil.
- Keep hot foods hot (above 60°C / 140°F), and keep cold foods cold (below 3°C / 37°F). Cooked foods should not be left out in the heat for more than an hour. Do not leave hot foods out of refrigeration for more than two hours.
- A marinade should never be saved to use at a later time. If you are going to use it to serve with your meat, be sure to bring it to a boil before serving.
- Defrost and marinate meats by refrigeration. Do not thaw meat at room temperature or on a counter top. Bacteria can grow and multiply rapidly in warm, moist foods. Wash hands thoroughly with hot, soapy water before starting any meal preparation and after handling fresh meat, fish and poultry.

### 2. *COOKING PREPARATION*

- Be prepared, or ***Mise en Place***. This refers to preparing the cooking recipe, fuel, accessories, utensils, and all ingredients you require at grill side before you start cooking. Also, read the entire recipe, start to finish, before lighting the grill.
- A BBQ floor mat is very useful. Due to food handling accidents and cooking spatter, a BBQ floor mat would protect a deck, patio, or stone platform from the possibility of grease stains or accidental spills.

### 3. *GRILLING TIPS AND TECHNIQUES*

- Always use a meat thermometer to determine the internal temperature of the foods you are cooking. It's a good idea to put cooked food onto a heated platter, keeping the food warm. Red meats, such as steak and roasts, benefit from resting for several minutes before serving. It allows the juices that were driven to the surface by heat to ease back to the center of the meat, adding more flavor.
- Sugar-based sauces are best applied near the end of cooking to prevent burning and flare-ups.
- Use a set of long-handled tongs for turning meats, and a spatula for turning burgers and fish. Using a piercing utensil, such as a fork, will prick the meat and allow the juices to escape.

## TROUBLESHOOTING

Proper cleaning and maintenance will prevent common operational problems. When your griddle is operating poorly, or on a less frequent basis, the following troubleshooting tips may be helpful. For FAQ, please visit [www.pitboss-grills.com](http://www.pitboss-grills.com). You may also contact your local dealer or Customer Care for assistance.

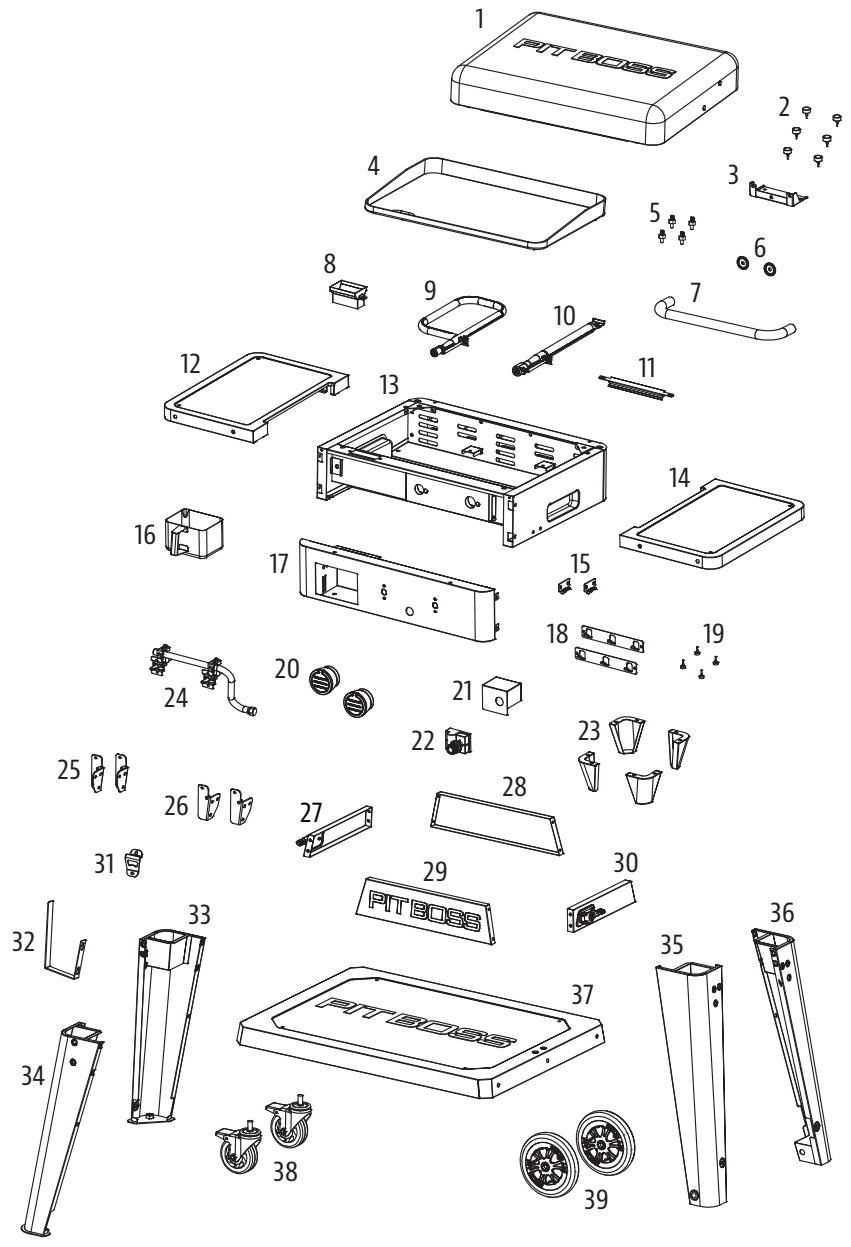
**WARNING: Always ensure the griddle is completely cooled to avoid injury.**

PROBLEM	CAUSE	SOLUTION
Burner Will Not Light	The ignition wire is broken	Contact Customer Care for assistance or a replacement part.
	No igniter spark on electrode	Adjust the electrode. Contact Customer Care for assistance or a replacement part.
	No gas supplied	Check the regulator valve. Check connection for leak.
Grease Fire / Frequent Flare-Ups	Grilling fatty meats	Grill fatty meats when the cooking surface is cold, and the knobs are on the "LOW" setting.
	Cooking temperature	Attempt cooking at a lower temperature. Grease does have a flash point. Keep the temperature under 176°C / 350°F when cooking highly greasy food.
	Water sprayed on gas flames	Do not spray water on gas flames.
Burner blows out	No Gas Flow	Check gas fuel connection, and ensure it is open. Replace gas cylinder if empty.
	Gusting Or High Winds	Turn front of grill away from wind or increase flame height.
Low heat on "HIGH"	Ports blocked	Clear ports of any obstructions.
	Gas cylinder empty	Refill the gas cylinder.
Gas Leakage	Improper Installation	Turn the regulator knob to the "0" position, and allow the regulator knob to pop out. Remove the gas cylinder. Re-install and tighten. Perform leak test to ensure proper seal. Replace gas cylinder if damaged.
	Seal Failure	Gas cylinder has corroded, rusted, or has been mishandled. Replace gas cylinder.
	Regulator Failure	Regulator needs to be replaced. Contact Customer Care for a replacement part.
Burner Flames Are Yellow Or Orange	Poor Air Flow	Check burner tube and burner ports for spider webs or other obstructions. Follow <b>Care and Maintenance</b> instructions to clean the burner tube.
	Burner Obstruction	
	Grease Cup Is Full, Spilling	Empty grease cup and re-install. Follow <b>Care and Maintenance</b> instructions.
	Regulator Valve Is Off	Check the regulator valve connection to the gas cylinder. Remove, then reinstall. Perform leak test.
	Burner Is Dirty	Turn regulator knob to HIGH for five minutes, and burn-off the unit. Follow <b>Care and Maintenance</b> instructions.

# REPLACEMENT PARTS

PB2BGD2	
Part#	Description
1	Lid (x1)
2	Lid Support Rubber (x6)
3	Lid Support (x1)
4	Hot Plate (x1)
5	Hot Plate Leg Screws (x4)
6	Lid Handle Bezel (x2)
7	Lid Handle (x1)
8	Grease Run Out (x1)
9	P Burner (x1)
10	Right Burner (x1)
11	Burner Crossover (x1)
12	Side shelf - Left (x1)
13	Firebox Assembly (x1)
14	Side Shelf - Right (x1)
15	Latch Hook (x2)
16	Grease Cup (x1)
17	Firebox Control Panel (x1)
18	Side Shelf Hook Panel (x2)
19	Side Shelf Rubber (x4)
20	Control Knob (x2)
21	Igniter Heat Shield (x1)
22	Igniter (x1)
23	Firebox Feet (x4)
24	Valve Assembly (x1)
25	Side Shelf Bracket - Left (x2)
26	Side Shelf Bracket - Right (x2)
27	Cart Side Panel - Left (x1)
28	Cart Back Panel (x1)
29	Cart Front Panel (x1)
30	Cart Side Panel - Right (x1)
31	Bottle Opener (x1)
32	Paper Towel Hook (x1)
33	Support Leg for Caster - Back (x1)
34	Support Leg for Caster - Front (x1)
35	Support Leg for Wheel - Front (x1)
36	Support Leg for Wheel - Back (x1)
37	Bottom Shelf (x1)
38	Locking Caster (x2)
39	Wheel (x2)

Part#	Description
A	Screw (x37)
B	Washer (x16)
C	Locking Washer (x16)
D	Screw (x4)
E	Wheel Cotter Pin (x2)
F	Wheel Washer (x2)
G	Wheel Axle Pin (x2)
H	Battery (x1)

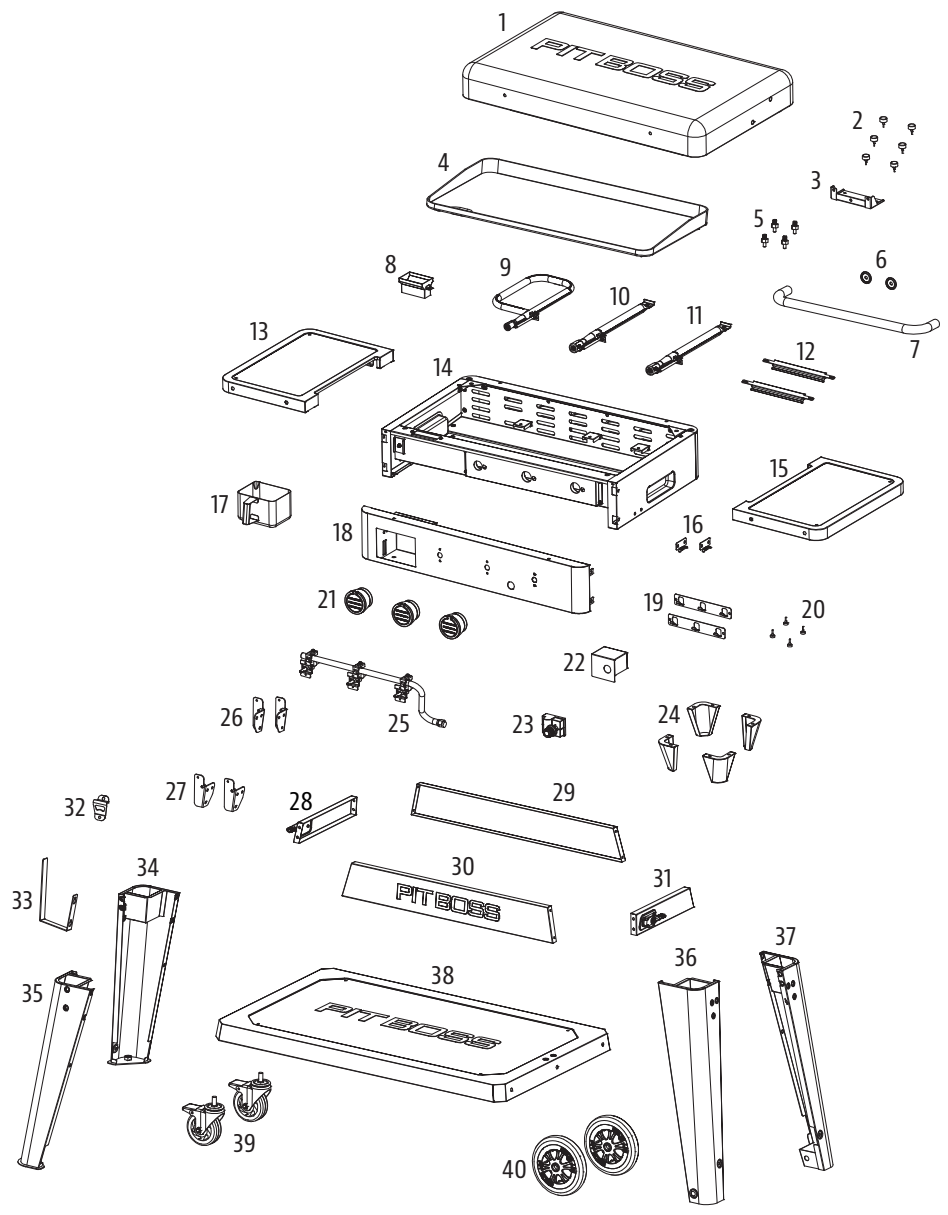
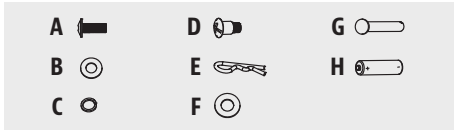


NOTE: Due to ongoing product development, parts are subject to change without notice.



PB3BGD2	
Part#	Description
1	Lid (x1)
2	Lid Support Rubber (x6)
3	Lid Support (x1)
4	Hot Plate (x1)
5	Hot Plate Leg Screws (x4)
6	Lid Handle Bezel (x2)
7	Lid Handle (x1)
8	Grease Run Out (x1)
9	P Burner (x1)
10	Middle Burner (x1)
11	Right Burner (x1)
12	Burner Crossover (x2)
13	Side shelf - Left (x1)
14	Firebox Assembly (x1)
15	Side Shelf - Right (x1)
16	Latch Hook (x2)
17	Grease Cup (x1)
18	Firebox Control Panel (x1)
19	Side Shelf Hook Panel (x2)
20	Side Shelf Rubber (x4)
21	Control Knob (x3)
22	Igniter Heat Shield (x1)
23	Igniter (x1)
24	Firebox Feet (x4)
25	Valve Assembly (x1)
26	Side Shelf Bracket - Left (x2)
27	Side Shelf Bracket - Right (x2)
28	Cart Side Panel - Left (x1)
29	Cart Back Panel (x1)
30	Cart Front Panel (x1)
31	Cart Side Panel - Right (x1)
32	Bottle Opener (x1)
33	Paper Towel Hook (x1)
34	Support Leg for Caster - Back (x1)
35	Support Leg for Caster - Front (x1)
36	Support Leg for Wheel - Front (x1)
37	Support Leg for Wheel - Back (x1)
38	Bottom Shelf (x1)
39	Locking Caster (x2)
40	Wheel (x2)

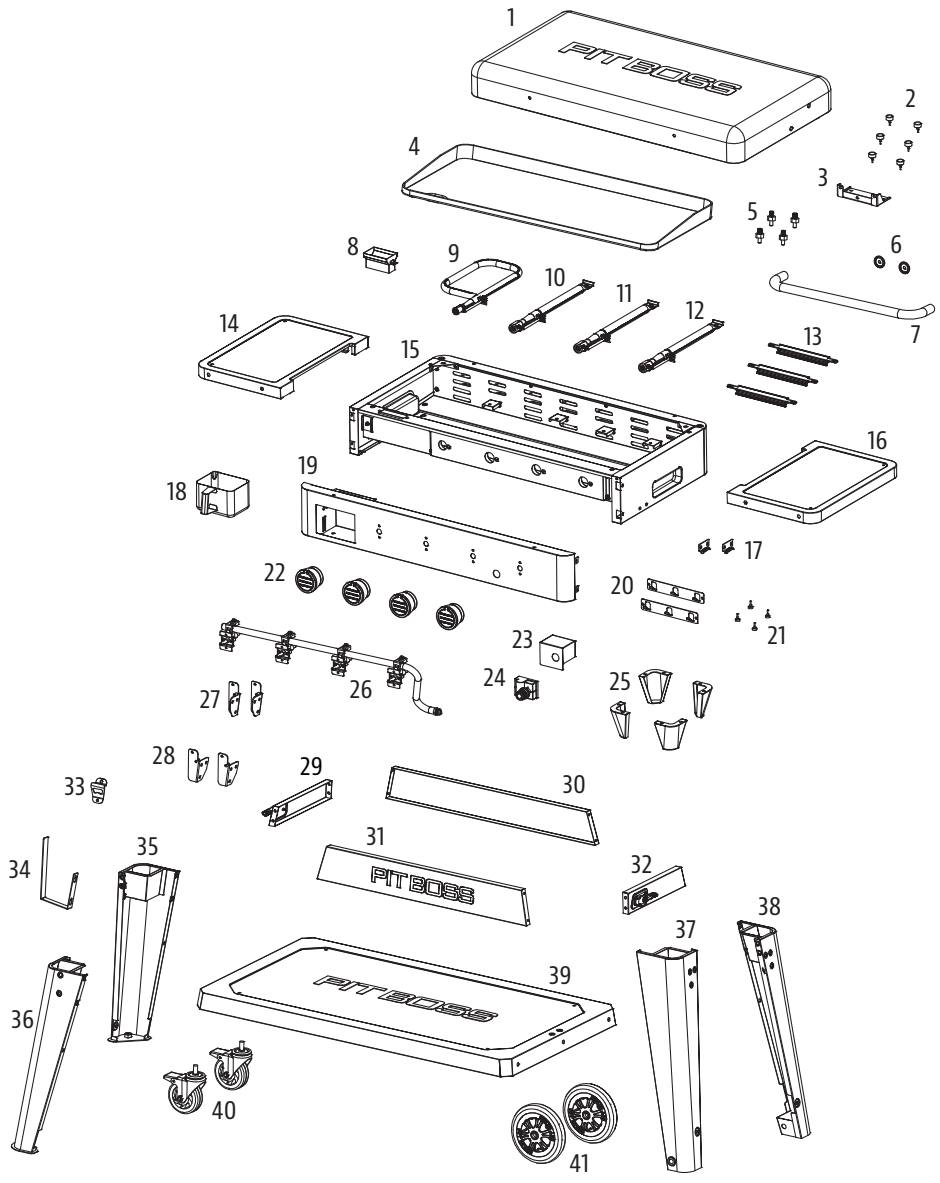
Part#	Description
A	Screw (x37)
B	Washer (x16)
C	Locking Washer (x16)
D	Screw (x4)
E	Wheel Cotter Pin (x2)
F	Wheel Washer (x2)
G	Wheel Axle Pin (x2)
H	Battery (x1)



NOTE: Due to ongoing product development, parts are subject to change without notice.

PB4BGD2	
Part#	Description
1	Lid (x1)
2	Lid Support Rubber (x6)
3	Lid Support (x1)
4	Hot Plate (x1)
5	Hot Plate Leg Screws (x4)
6	Lid Handle Bezel (x2)
7	Lid Handle (x1)
8	Grease Run Out (x1)
9	P Burner (x1)
10	Left Burner (x1)
11	Middle Burner (x1)
12	Right Burner (x1)
13	Burner Crossover (x3)
14	Side shelf - Left (x1)
15	Firebox Assembly (x1)
16	Side Shelf - Right (x1)
17	Latch Hook (x2)
18	Grease Cup (x1)
19	Firebox Control Panel (x1)
20	Side Shelf Hook Panel (x2)
21	Side Shelf Rubber (x4)
22	Control Knob (x4)
23	Igniter Heat Shield (x1)
24	Igniter (x1)
25	Firebox Feet (x4)
26	Valve Assembly (x1)
27	Side Shelf Bracket - Left (x2)
28	Side Shelf Bracket - Right (x2)
29	Cart Side Panel - Left (x1)
30	Cart Back Panel (x1)
31	Cart Front Panel (x1)
32	Cart Side Panel - Right (x1)
33	Bottle Opener (x1)
34	Paper Towel Hook (x1)
35	Support Leg for Caster - Back (x1)
36	Support Leg for Caster - Front (x1)
37	Support Leg for Wheel - Front (x1)
38	Support Leg for Wheel - Back (x1)
39	Bottom Shelf (x1)
40	Locking Caster (x2)
41	Wheel (x2)

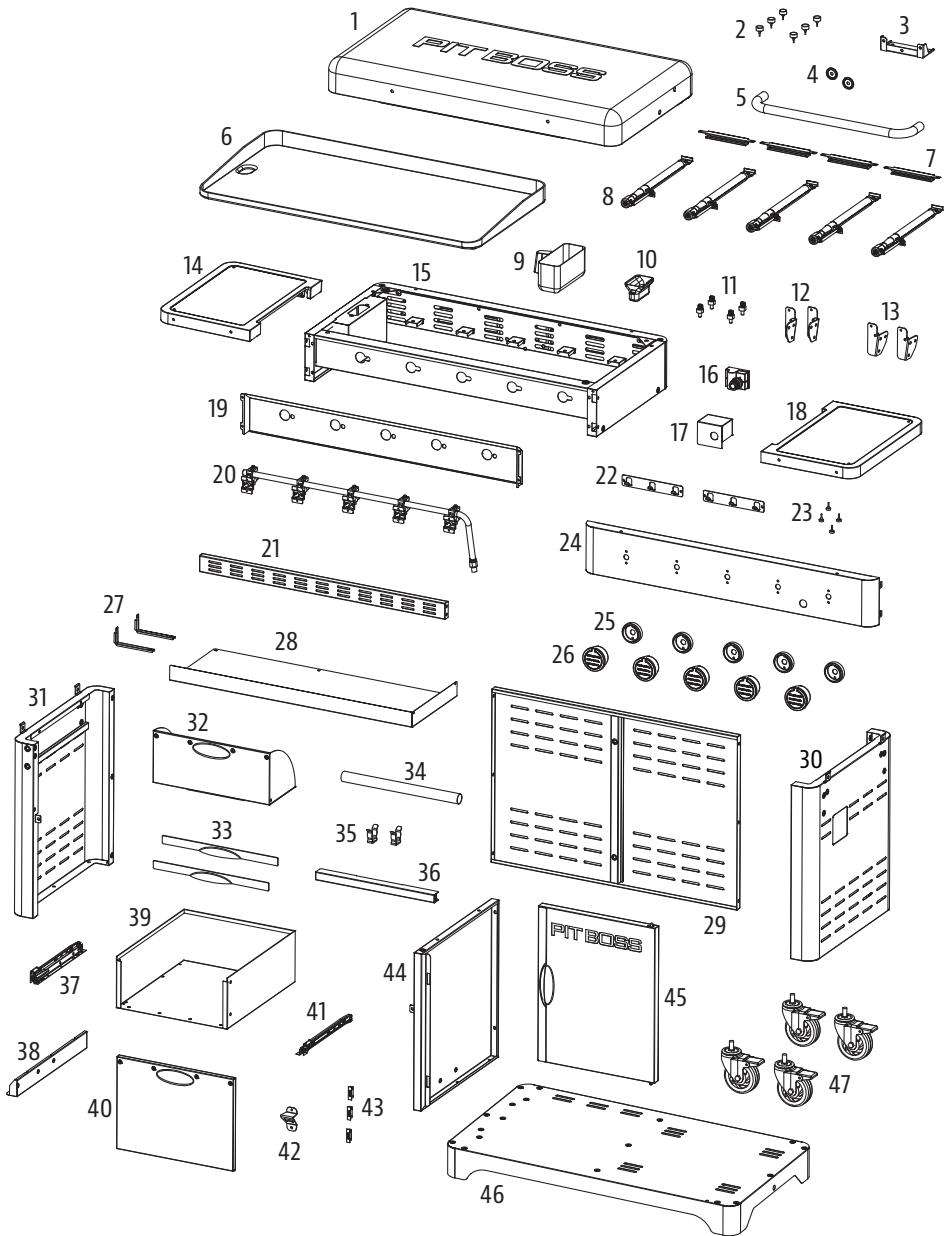
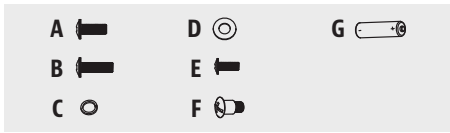
Part#	Description
A	Screw (x37)
B	Washer (x16)
C	Locking Washer (x16)
D	Screw (x4)
E	Wheel Cotter Pin (x2)
F	Wheel Washer (x2)
G	Wheel Axle Pin (x2)
H	Battery (x1)



NOTE: Due to ongoing product development, parts are subject to change without notice.

PB5BGD2	
Part#	Description
1	Lid (x1)
2	Lid Support Rubber (x6)
3	Lid Support (x1)
4	Lid Handle Bezel (x2)
5	Lid Handle (x1)
6	Hot Plate (x1)
7	Burner Crossover (x4)
8	Burner (x5)
9	Grease Cup (x1)
10	Grease Run Out (x1)
11	Hot Plate Leg Screws (x4)
12	Side Shelf Bracket - Left (x2)
13	Side Shelf Bracket - Right (x2)
14	Side shelf - Left (x1)
15	Firebox Assembly (x1)
16	Igniter (x1)
17	Igniter Heat Shield (x1)
18	Side Shelf - Right (x1)
19	Front Heat Shield (x1)
20	Valve Assembly (x1)
21	Cart Front Panel (x1)
22	Side Shelf Hook Panel (x2)
23	Side Shelf Rubber (x4)
24	Firebox Control Panel (x1)
25	Control Knob Base (x5)
26	Control Knob (x5)
27	Heat Shield Bracket (x2)
28	Heat Shield Panel (x1)
29	Cart Back Panel (x1)
30	Cart Side Panel - Right (x1)
31	Cart Side Panel - Left (x1)
32	Swing Drawer (x1)
33	Drawer Handle (x2)
34	Paper Towel Bar (x1)
35	Stop Block (x2)
36	Drawer Support Bar (x1)
37	Drawer Rails - Left (x1)
38	Rail Bracket (x1)
39	Drawer (x1)
40	Drawer Front (x1)
41	Drawer Rails - Right (x1)
42	Bottle Opener (x1)
43	Magnetic Buckle (x3)
44	Cart Partition (x1)
45	Cabinet Door (x1)
46	Cart Bottom (x1)
47	Locking Caster (x4)

Part#	Description
A	Screw (x54)
B	Screw (x2)
C	Locking Washer (x14)
D	Washer (x14)
E	Screw (x14)
F	Screw (x6)
G	Battery (x1)



NOTE: Due to ongoing product development, parts are subject to change without notice.

# WARRANTY

## CONDITIONS

All gas griddles by Pit Boss® Grills, manufactured by Dansons, carry a limited warranty from the date of sale by the original owner. The warranty coverage begins on the original date of purchase and proof of date of purchase, or copy of original bill of sale, is required to validate the warranty. Customers will be subject to parts, shipping, and handling fees if unable to provide proof of the purchase or after the warranty has expired. Dansons carries a two (2) year warranty against defects and workmanship on all parts. Dansons warrants that all part(s) are free of defects in material and workmanship, for the length of use and ownership of the original purchaser. Warranty does not cover damage from wear and tear, such as scratches, dents, dings, chips or minor cosmetic cracks. These aesthetic changes of the griddle do not affect its performance. Repair or replacement of any part does not extend past the limited warranty beyond the two (2) year from date of purchase.

During the term of the warranty, Dansons' obligation shall be limited to furnishing a replacement for defective and/or failed components. As long as it is within the warranty period, Dansons' will not charge for repair or replacement for parts returned, freight prepaid, if the part(s) are found by Dansons' to be defective upon examination. Dansons' shall not be liable for transportation charges, labor costs, or export duties. Except as provided in these conditions of warranty, repair or replacement of parts in the manner and for the period of time mentioned heretofore shall constitute the fulfillment of all direct and derivate liabilities and obligations from Dansons to you. Dansons takes every precaution to utilize materials that retard rust. Even with these safeguards, the protective coatings can be compromised by various substances and conditions beyond Dansons' control. High temperatures, excessive humidity, chlorine, industrial fumes, fertilizers, lawn pesticides and salt are some of the substances that can affect metal coatings. For these reasons, the warranty does not cover rust or oxidization, unless there is loss of structural integrity on the griddle components. Should any of the above occur, kindly refer to the care and maintenance section to prolong the lifespan of your unit. Dansons recommends the use of a cover when the griddle is not in use.

This warranty is based on normal domestic use and service of the griddle and neither limited warranty coverage's apply for a griddle which is used in commercial applications.

## EXCEPTIONS

There is no written or implied performance warranty on Pit Boss® Grills products, as the manufacturer has no control over the installation, operation, cleaning, maintenance or the type of fuel used. This warranty will not apply nor will Dansons assume responsibility if your appliance has not been installed, operated, cleaned and maintained in strict accordance with this owner's manual. Any use of gas not outlined in this manual may void the warranty. The warranty does not cover damage or breakage due to misuse, improper handling or modifications. Neither Dansons, or authorized Pit Boss® Grills dealer, accepts responsibility, legal or otherwise, for the incidental or consequential damage to the property or persons resulting from the use of this product. Whether a claim is made against Dansons based on the breach of this warranty or any other type of warranty expressed or implied by law, the manufacturer shall in no event be liable for any special, indirect, consequential or other damages of any nature whatsoever in excess of the original purchase of this product. All warranties by manufacturer are set forth herein and no claim shall be made against manufacturer on any warranty or representation. Some states do not allow the exclusion or limitation of incidental or consequential damages, or limitations of implied warranties, so the limitations or exclusions set forth in this limited warranty may not apply to you. This limited warranty gives you specific legal rights and you may have other rights, which vary from state to state.

## ORDERING REPLACEMENT PARTS

To order replacement parts, please contact your local Pit Boss® Grills dealer or visit our online store at: [www.pitboss-grills.com](http://www.pitboss-grills.com)

## CONTACT CUSTOMER CARE

If you have any questions or problems, contact Customer Care at: [www.pitboss-grills.com](http://www.pitboss-grills.com)

## WARRANTY SERVICE

Contact your nearest Pit Boss® Grills dealer for repair or replacement parts. Dansons requires proof of purchase to establish a warranty claim; therefore, retain your original sales receipt or invoice for future reference. The serial and model number of your Pit Boss® can be found directly on the unit. Record numbers below as the label may become worn or illegible.

---

MODEL

---

SERIAL NUMBER

---

DATE OF PURCHASE

---

AUTHORIZED DEALER

## INFORMATIONS CONCERNANT LA SÉCURITÉ

**LES PRINCIPALES CAUSES D'INCENDIE D'UN APPAREIL SONT UN MAUVAIS ENTRETIEN ET UNE INCAPACITÉ À MAINTENIR L'ESPACEMENT REQUIS ENTRE L'APPAREIL ET LES MATÉRIAUX COMBUSTIBLES. IL EST DE LA PLUS HAUTE IMPORTANCE QUE CE PRODUIT SOIT UNIQUEMENT UTILISÉ CONFORMÉMENT AUX INSTRUCTIONS SUIVANTES.**

Veuillez lire et comprendre l'intégralité de ce manuel avant de procéder à l'assemblage, à l'utilisation ou à l'installation de ce produit. Vous pourrez alors profiter pleinement et sans encombre de votre nouvelle plaque chauffante à gaz portable. Nous vous conseillons également de conserver ce manuel à titre de référence ultérieure.

### AVERTISSEMENTS EN MATIÈRE DE GAZ PROPANE

#### DANGERS

Si vous sentez le gaz :

- Coupez l'arrivée du gaz de l'appareil
- Éteignez toute flamme ouverte.
- Ouvrez le couvercle.
- Si l'odeur persiste, éloignez-vous de l'appareil et appelez immédiatement votre fournisseur de gaz ou les pompiers.

#### AVERTISSEMENTS

- Ne stockez pas, ni n'utilisez de l'essence ou d'autres liquides ou vapeurs inflammables à proximité de cet appareil ou de tout autre appareil.
- Une bouteille de gaz de pétrole liquéfié non branchée pour utilisation ne doit pas être stockée à proximité de cet appareil ou de tout autre appareil.
- Pour fonctionner, vous aurez besoin d'une bouteille de gaz propane liquide ("LP") de gril standard remplie de précision avec des filetages de valve externes. Le diamètre maximal et la hauteur maximale du cylindre sont de 300 mm (11,8 in) et 600 mm (23,6 in).

1. Veillez à ce que la bonbonne de gaz soit achetée chez un fournisseur connu. Une bonbonne de gaz propane mal remplie ou trop remplie peut être dangereuse. La condition trop remplie en conjonction avec l'avertissement sur la bonbonne de gaz propane (une journée chaude d'été, la bonbonne laissée au soleil, etc.) peut provoquer la libération du gaz propane puisque l'augmentation de température entraîne l'expansion du gaz. Le gaz relâché du cylindre est inflammable et peut exploser
2. Ne pas utiliser de bonbonne à GPL si celle-ci présente une vanne endommagée ou bien présente des signes de bosses, de renflements, de dommages causés par le feu, de corrosion, de fuites, de rouille excessive ou toute autre forme de dommages externes car ceux-ci peuvent s'avérer dangereux et devraient immédiatement être vérifiés par un fournisseur de gaz propane liquide.

**Si vous voyez, sentez ou entendez le sifflement de gaz qui s'échappe de la bonbonne, n'essayez pas d'allumer l'appareil. Éteindre toute flamme ouverte. Débrancher de l'alimentation en combustible.**

3. Ne pas brancher ou débrancher la bonbonne de gaz pendant que l'appareil est utilisé ou qu'il est encore chaud. Lorsque vous n'utilisez pas le gril, veillez à ce que le bouton du régulateur soit à « OFF » (Éteint) et débranchez le cylindre de gaz. Ne jamais déplacer ou transporter l'unité si la bonbonne de gaz est branchée à celle-ci. N'entreposez pas les bouteilles de recharge de propane liquide sous cet appareil ou à proximité.



4. Des bonbonne de gaz doivent être stockées à l'extérieur hors de portée des enfants et ne doivent pas être stockées dans un bâtiment, un garage ou toute autre zone de l'enceinte.
5. N'obstruez pas le flux de l'air de combustion et de ventilation à l'appareil. Gardez le tube du brûleur et les hublots propres et exempts de tous débris. Nettoyez avant utilisation. Une maintenance et un entretien réguliers sont requis pour prolonger la durée de vie de votre unité.
6. Vérifiez toujours la présence de fuites lorsque vous branchez et débranchez le régulateur à la bonbonne de gaz, plus particulièrement après une période d'entreposage (par exemple, au cours de l'hiver). Vérifiez l'étanchéité de tous les raccords à l'aide d'une solution d'eau savonneuse et d'une brosse. Ne jamais utiliser de flamme ouverte pour vérifier la présence de fuites.
7. Nettoyez et inspectez le régulateur de gaz avant chaque utilisation de l'appareil de cuisson en extérieur. Remplacez le régulateur de gaz avant de l'utiliser si vous apercevez une abrasion ou une usure excessive.
8. Faites fonctionner cet appareil avec du gaz de pétrole liquéfié, qui est également indiqué sur la plaque signalétique de l'unité. Ne pas essayer de faire fonctionner votre gril à l'aide d'autres types de gaz. Ne pas essayer de convertir cette unité au GPL afin qu'elle fonctionne avec du gaz naturel. Le non-respect de cet avertissement pourrait entraîner un risque d'incendie et des dommages corporels et annulera votre garantie.
9. L'emplacement du tube du brûleur par rapport à l'orifice est essentiel à un fonctionnement sûr. Assurez-vous que l'orifice se trouve à l'intérieur du tube du brûleur avant d'utiliser le gril à gaz. Si le tube du brûleur ne s'adapte pas à l'orifice du robinet, l'allumage du brûleur peut provoquer une explosion et/ou un incendie.

## DANGERS ET AVERTISSEMENTS

**Vous devez contacter les autorités locales compétentes afin d'obtenir les permis, mandats ou informations nécessaires concernant toute restriction d'installation, par exemple pour un gril installé sur une surface combustible, les exigences en matière d'inspection ou même la possibilité d'utilisation dans votre région.**

1. Vous devez respecter un espace minimum de 1 270 mm (50 pouces) entre les côtés/l'arrière du plaque de cuisson et toute constructions combustible. **N'installez pas l'appareil sur des sols combustibles ou des sols protégés par des surfaces combustibles sans avoir obtenu les permis et autorisations appropriés de la part des autorités compétentes.** N'utilisez pas cet appareil en intérieur, dans une zone close ou non aérée, par exemple à l'intérieur d'un domicile, dans un véhicule, sous une tente ou dans un garage. Cet appareil ne doit pas être placé sous un plafond ou un surplomb combustible. Placez votre gril dans une zone dégagée, sans matériaux combustibles, essence, ni autres vapeurs et liquides inflammables.

**En cas d'incendie de graisse, éteignez le gril jusqu'à ce que le feu soit éteint. Ne pas jeter d'eau dessus. Ne pas essayer d'étouffer le feu. L'utilisation d'un extincteur approuvé toutes classes (classe ABC) est précieuse à conserver sur place. Si un incendie non contrôlé se produit, appelez les pompiers.**

2. Ce gril pour l'extérieur n'est pas conçu pour une installation dans/sur des véhicules récréatifs ou des bateaux.

**Ne jamais utiliser cet appareil dans un espace clos, comme une caravane-camping, une tente, une voiture, un bateau ou une maison. Cet appareil n'est pas conçu comme un appareil de chauffage, il ne doit en aucun cas servir comme tel.**

3. Cet appareil n'est pas conçu pour être utilisé par des enfants, des personnes à capacités physiques, sensorielles ou intellectuelles réduites ou sans expérience ni connaissances, à moins qu'elles soient surveillées directement par une personne responsable de leur sécurité.
4. Certaines parties du barbecue peuvent être très chaudes et des blessures graves peuvent survenir. Tenir hors de portée des jeunes enfants et des animaux domestiques lors de l'utilisation. Ne pas toucher les surfaces chaudes. Veuillez utiliser des gants résistant à la chaleur, des pinces avec une longue poignée ou des gants de cuisine en tout temps, puisque le gril peut devenir très chaud.
5. Ne jamais utiliser le gril sans la coupelle à graisse installée et suspendue sous le foyer. Sans la coupelle à graisse, la graisse chaude et les débris peuvent couler vers le bas et produire un danger d'incendie.

## MONOXYDE DE CARBONE (« le tueur silencieux »)

Le monoxyde de carbone est un gaz incolore, inodore et sans goût, produit par la combustion de gaz, de bois, de propane, de charbon ou autre combustible. Le monoxyde de carbone diminue la capacité du sang à transporter l'oxygène. De faibles taux d'oxygène dans le sang peuvent entraîner des maux de tête, des vertiges, des sentiments de faiblesse, des nausées, des vomissements, des somnolences, des confusions, des pertes de conscience, ou la mort. Suivez ces instructions pour empêcher ce gaz incolore et inodore d'empoisonner vos proches ou vous-même :

- Consultez un médecin si un individu ou vous-même développez des symptômes rappelant ceux d'une grippe alors que vous cuisinez ou que vous êtes à proximité de l'appareil. L'empoisonnement au monoxyde de carbone, pouvant facilement être confondu avec un rhume ou une grippe, est souvent détecté trop tard.
- La consommation d'alcool, de drogue et de médicaments augmente les effets de l'empoisonnement au monoxyde de carbone.

Le monoxyde de carbone est particulièrement toxique pour les mères et leur bébé pendant la grossesse, pour les nouveau-nés, les personnes âgées, les fumeurs et les personnes présentant des problèmes du sang ou du système circulatoire, comme l'anémie ou les maladies cardiaques.

## INFORMATIONS RELATIVES À LA SÉCURITÉ

Conformément aux procédures et spécifications de la Conformité Européenne (CE), les appareils au gaz de Pit Boss® Grills sont testés afin de démontrer leur conformité aux normes et directives respectant toutes les exigences de sécurité, de santé et de protection de l'environnement de l'UE (Union européenne) et de l'Espace économique européen (EEE).



	ENTRÉE DE CHALEUR	NOMBRE DE BRÛLEURS		TYPE DE BRÛLEUR	INJECTOR SIZE	GAS/PRESSURE	PAYS D'UTILISATION
		BRÛLEUR DROIT	BRÛLEUR P				
<b>PB2BGD2</b>	7,63 KW G30 – 555 g/h G31 – 545 g/h	1	1	BRÛLEUR DROIT	0,8 mm	G30 à 28-30 mbar G31 à 37 mbar Mélange G30/G31 à 30 mbar	<b>I3+ (28-30/37) :</b> BE, CH, CY, CZ, ES, FR, GB, GR, IE, IT, LT, LU, LV, PT, SK, SI  <b>I3B/P (30) :</b> BE, CY, DK, EE, FR, GB, HU, IT, LT, NL, NO, SE, SI, SK, RO, HR, TR, BG, IS, LU, MT, FI  <b>I3B/P (37) :</b> PL  <b>I3B/P (50) :</b> AT, DE, SK, CH
<b>PB3BGD2</b>	10,5 KW G30 – 768 g/h G31 – 755 g/h	2	1		0,75 mm	Mélange G30/G31 à 37 mbar	
					0,72 mm	Mélange G30/G31 à 50 mbar	
<b>PB4BGD2</b>	13,49 KW G30 – 982 g/h G31 – 964 g/h	3	1	BRÛLEUR P	1,02 mm	G30 à 28-30 mbar G31 à 37 mbar Mélange G30/G31 à 30 mbar	
					0,97 mm	Mélange G30/G31 à 37 mbar	
					0,93 mm	Mélange G30/G31 à 50 mbar	
<b>PB5BGD2</b>	14,65 KW G30 – 1066 g/h G31 – 1047 g/h	5	0				



## DÉCLARATION CONCERNANT LES DROITS D'AUTEUR

Copyright 2021. Tous droits réservés. Aucune partie de ce manuel ne peut être copiée, transmise, transcrite ou stockée dans un système d'archivage, sous quelque forme ou par quelque moyen que ce soit, sans l'autorisation expresse écrite de :

### **DANSONS EUROPE**

11 Rue Galvani Paris, France 75017

### **DANSONS AMÉRIQUE DU NORD**

3411 North 5th Avenue, Suite 500, Phoenix, AZ, USA 85013

SERVICE CLIENTS

[www.pitboss-grills.com](http://www.pitboss-grills.com)

## TABLE DES MATIÈRES

Informations concernant la sécurité .....	22
Connexion à une alimentation au gaz	
Exigences relatives aux bouteilles de gaz.....	26
Installation d'un connecteur de gaz sur le collecteur .....	26
Branchement d'une bouteille de gaz .....	27
Préparation à l'utilisation – Test de fuite .....	28
Déconnexion d'une bouteille de gaz.....	28
Instructions d'utilisation	
Environnement du plaque chauffante.....	29
Première utilisation - brûlage du plaque chauffante.....	30
Procédure d'allumage .....	30
Procédure d'allumage manuel .....	31
Arrêt du plaque chauffante.....	31
Retirer le foyer du chariot.....	32
Utilisation du support de sac poubelle.....	33
Entretien et maintenance .....	34
Conseils et techniques .....	35
Dépannage .....	36
Pièces de rechange .....	37
Garantie .....	41

FR

FRANÇAIS

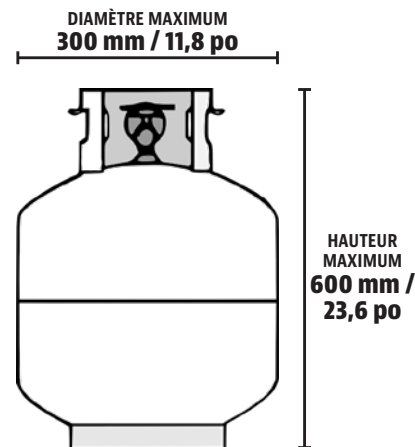
# CONNEXION À UNE ALIMENTATION AU GAZ

## EXIGENCES RELATIVES AUX BOUTEILLES DE GAZ

Pour faire fonctionner l'appareil, il vous faudra une bouteille de gaz de pétrole liquéfié G30/G31 standard pour gril, remplie avec précision et disposant de vannes filetées externes. Utilisez un tube flexible standard dont la taille est inférieure à 1,5 m (59 po). Toute la longueur du tube doit être visible afin de facilement l'inspecter après installation.

Le diamètre et la taille maximums de la bouteille sont respectivement de 300 mm (11,8 po) et 600 mm (23,6 po), comme présenté sur l'illustration.

**ATTENTION : vous devez disposer du régulateur (dont la norme adaptée est EN16129) et de la bouteille adaptés afin que le barbecue fonctionne efficacement et en toute sécurité. Utiliser un régulateur inadapté ou défectueux est dangereux et invalidera toute garantie. Il est important d'inspecter toute la longueur du tube. Si vous constatez une abrasion ou une usure excessive évidente, ou si le tube est entaillé, ce dernier doit être remplacé avant d'utiliser l'appareil.**



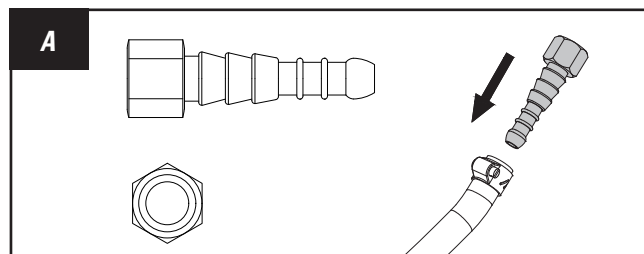
## INSTALLATION D'UN CONNECTEUR DE GAZ SUR LE COLLECTEUR

Selon le lieu et le pays d'achat, tous les distributeurs ne vendent pas la plaque de cuisson avec un régulateur inclus. Un kit de transition de collecteur est fourni si le régulateur de gaz n'est pas livré pré-assemblé. Sélectionnez le connecteur du kit de transition pour collecteur fourni qui est nécessaire pour votre collecteur de gaz et les tubes du régulateur. Pour faciliter l'installation du connecteur de gaz, soulevez ou déconnectez la plaque chauffante du chariot. Placez-la à l'envers sur un morceau de carton pour éviter les rayures ou les dommages.

- **CONNECTEUR A - CONIQUE**

Insérez l'extrémité fuselée du connecteur dans le tube de votre régulateur, puis serrez-la à l'aide d'un collier de serrage.

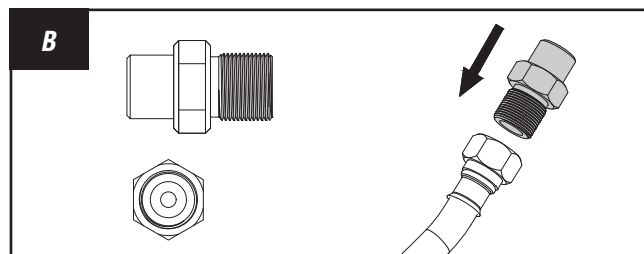
Voir l'illustration A.



- **CONNECTEUR B - FILETÉ**

Insérez le connecteur mâle fileté dans l'extrémité femelle du tube du régulateur. Tournez pour serrer complètement.

Consultez l'illustration B.



Passez à l'étape suivante pour l'installation de la bouteille de gaz. Maintenez la plaque chauffante hors du chariot.

## BRANCHEMENT D'UNE BOUTEILLE DE GAZ

**IMPORTANT : si la tubulure nécessite un connecteur, suivez les instructions d'installation relatives au connecteur avant de relier l'appareil à une bouteille de gaz.**

Avant d'effectuer le branchement, veillez à ce qu'aucun débris ne soit coincé dans la tête de la bouteille de gaz, la tête de la vanne du régulateur ou la tête et les orifices du brûleur.

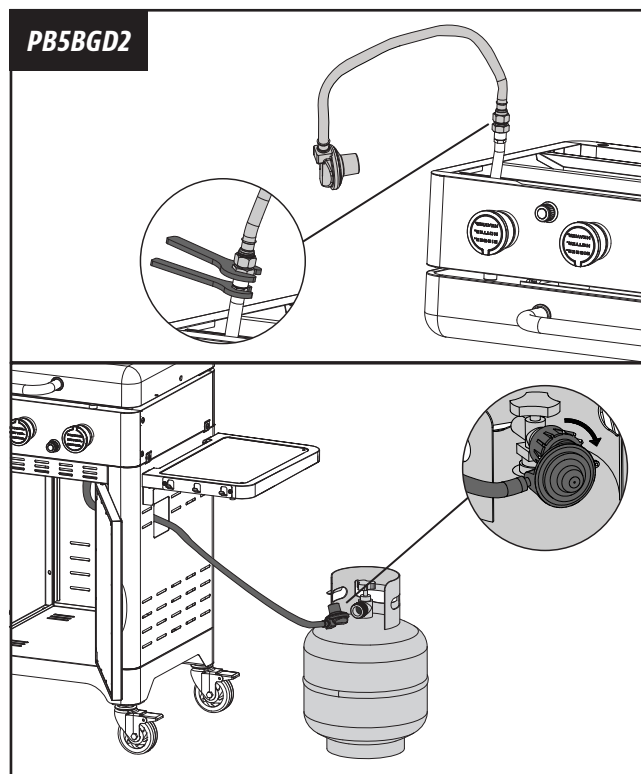
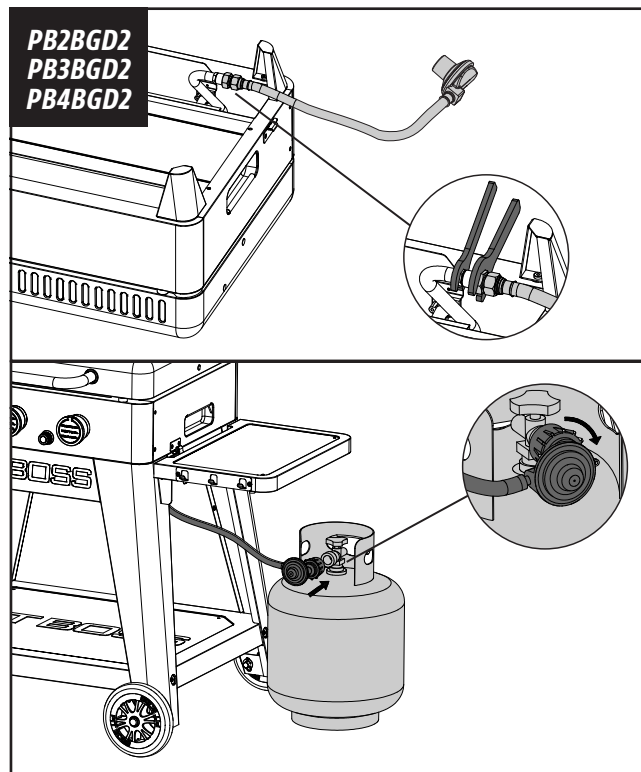
1. Si un régulateur est préinstallé, passez à l'étape suivante.

Si un connecteur du kit de transition de collecteur a été installé, conservez la plaque de cuisson hors du chariot pour l'installation du régulateur. Branchez la canalisation du tube régulateur sur le collecteur de la plaque de cuisson en la serrant complètement à l'aide d'une clé. Réinstallez la plaque chauffante sur le chariot une fois que le régulateur et le tube du régulateur sont installés. Assurez-vous que le tuyau du régulateur n'est pas tordu ou pincé de quelque façon que ce soit une fois que la plaque de cuisson est de nouveau sur le chariot.

2. Dans le cas de la plaque de cuisson avec meuble, tirez le régulateur et le tuyau du régulateur à travers l'ouverture sur la paroi droite du chariot.
3. Placez une bouteille de gaz à côté du chariot sur le côté droit. Assurez-vous que la vanne de la bouteille de gaz est sur la position ARRÊT. Il est important de s'assurer que la bouteille de gaz est complètement verticale, car il est dangereux de faire fonctionner la plaque de cuisson si la bouteille de gaz n'est pas de niveau ou sur une surface stable.
4. Assurez-vous que les boutons de commande de la plaque de cuisson sont complètement fermés en les tournant dans le sens horaire jusqu'à la position d'arrêt « O » (ARRÊT).
5. Retirez les caches de protection de l'ouverture de la vanne du régulateur et du haut de la bouteille de gaz. Conservez les caches.
6. Insérez la vanne de la bouteille de gaz dans l'ouverture fileté de la vanne du régulateur. Tournez l'écrou du raccord rapide dans le sens des aiguilles d'une montre jusqu'à ce qu'il soit bien fixé. Serrez uniquement à la main.
7. La bouteille de gaz est maintenant installée. Effectuez un test de fuite.

**ATTENTION : si vous sentez une odeur de gaz, fermez la bouteille de gaz. Essayez d'installer de nouveau la bouteille de gaz afin de veiller à ce que le tube soit correctement relié. Effectuez un test de fuite.**

**REMARQUE : Le débit normal de gaz à travers le régulateur et le flexible peut créer un bourdonnement. Un faible volume de bruit est tout à fait normal et n'interférera pas avec le fonctionnement de la plaque chauffante. Si le**



bourdonnement est fort et excessif, il peut être nécessaire de purger l'air de la conduite de gaz ou de réinitialiser le dispositif de débit de gaz en excès du régulateur. Cette procédure de purge doit être effectuée chaque fois qu'un nouveau réservoir de GPL est connecté à votre plaque chauffante.

## PRÉPARATION À L'UTILISATION – TEST DE FUITE

Un test de fuite permet de déterminer l'intégrité d'un joint. Avant d'utiliser votre gril à gaz, effectuez un test de fuite sur le branchement entre le régulateur et la bouteille de gaz afin de réduire le risque de blessure corporelle grave ou de mort provenant d'un incendie ou d'une explosion. Un test de fuite doit être effectué au moins une fois par saison, ainsi que :

- avant d'allumer votre gril pour la première fois,
- à chaque changement de bouteille de gaz,
- après un voyage, surtout sur des routes accidentées ou bosselées,
- après une période de stockage ou une non-utilisation prolongée.

### COMMENT EFFECTUER UN TEST DE FUITE

#### Accessoires nécessaires :

1 x Bol (*vide et propre*)

1 x Pinceau (*propre*)

Liquide vaisselle

Eau

#### Procédure :

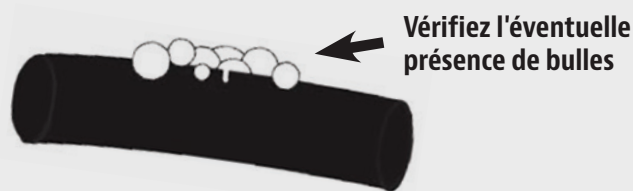
1. Placez le gril dans une zone bien aérée. Veillez à ce que le gril soit froid au toucher, et non allumé. Vérifiez que la vanne du régulateur est en position d'arrêt et que la bouteille de gaz est fixée solidement au régulateur.

**IMPORTANT : vérifiez qu'il n'y a pas de flamme ouverte ou de fumeurs dans les environs.**

2. Effectuez un mélange égal d'eau et de liquide vaisselle dans un bol. La solution fera des bulles, car elle sera concentrée.
3. Utilisez un pinceau pour appliquer la solution sur le joint entre le régulateur et la bouteille de gaz. Inspectez visuellement la présence éventuelle de bulles, signe d'un défaut ou d'un joint cassé.

**REMARQUE : si une fuite apparaît, répétez la procédure d'installation de la bouteille de gaz, mais ne serrez pas trop. Serrez uniquement à la main. Répétez le test de fuite après la réinstallation pour vérifier que le joint est correctement fixé.**

**IMPORTANT : n'utilisez pas le gril à gaz si vous détectez une fuite de gaz qui ne peut pas être résolue à l'aide de la procédure de test de fuite. Contactez votre service des pompiers local ou votre service clients pour connaître des mesures alternatives de test afin de prendre les précautions requises.**



## DÉCONNEXION D'UNE BOUTEILLE DE GAZ

1. Tournez tous les boutons de commande de le foyer sur la position « 0 » (OFF). Assurez-vous que le robinet du régulateur de la bouteille de gaz est complètement fermé en tournant le bouton jusqu'à la position « CLOSED » (FERMÉ).
2. Tournez l'écrou de raccordement rapide dans le sens antihoraire (à la main) pour le déconnecter de l'ouverture du robinet du régulateur. Remettez en place les capuchons de protection sur l'ouverture du robinet du régulateur et le haut de la bouteille de gaz (s'ils ne sont pas vides).

**REMARQUE: Si vous rangez le gril à l'intérieur, laissez la bouteille de gaz à l'extérieur.**

**AVERTISSEMENT: Ne pas plier ou transporter la grille avec la bouteille de gaz attachée. La bouteille peut se desserrer de la vanne et provoquer une fuite de gaz pouvant entraîner une explosion, un incendie ou des lésions corporelles graves. Débranchez d'abord la bouteille de gaz avant de voyager ou de la ranger.**

## INSTRUCTIONS D'UTILISATION

### ENVIRONNEMENT DU PLAQUE DE CUISSON

#### 1. OÙ INSTALLER LE GRILL

Avec tous les appareils d'extérieur, les conditions climatiques extérieures jouent un rôle important dans le rendement de votre plaque de cuisson et le temps de cuisson nécessaire pour compléter vos repas. Toutes les unités Pit Boss® devraient garder un dégagement minimum de 1 270 mm (50 pouces) des constructions combustibles, et cette distance doit être maintenue pendant la cuisson. Cet appareil ne doit pas être placé sous un plafond ou un surplomb combustible. Gardez votre gril dans une zone dégagée et exempte de matières combustibles, d'essence et d'autres vapeurs et liquides inflammables.

#### 2. CUISINER PAR TEMPS FROID

Lorsqu'il commence à faire plus frais à l'extérieur, cela ne signifie pas que la saison des grillades est terminée! L'air frais et l'arôme divin des aliments grillés aideront à guérir votre blues d'hiver. Suivez ces suggestions sur la façon de profiter de votre gril pendant les mois les plus frais :

- Organisez – Préparez tout ce dont vous avez besoin dans la cuisine avant de vous diriger à l'extérieur. Pendant l'hiver, déplacez votre gril dans un endroit protégé du vent et du froid. Vérifiez les règlements locaux concernant la proximité de votre gril par rapport à votre maison et/ou autres constructions. Mettez tout ce dont vous avez besoin sur un plateau, emballez et lancez-vous!
- Pour suivre la température extérieure, placez un thermomètre extérieur près de votre zone de cuisson. Gardez un journal ou un historique de ce que vous avez préparé, de la température extérieure et du temps de cuisson. Cela sera utile plus tard pour vous aider à déterminer ce qu'il faut cuisiner et combien de temps cela prendra.
- Ayez un plateau chauffé ou un couvercle de plat prêt à garder votre nourriture au chaud tout en faisant le voyage à l'intérieur.

#### 3. CUISINER PAR TEMPS CHAUD

À mesure qu'il fait plus chaud à l'extérieur, le temps de cuisson diminue. Suivez ces suggestions sur la façon de profiter de votre gril pendant les mois chauds :

- Ajustez à la baisse vos températures de cuisson. Cela permet d'éviter les poussées indésirables.
- Utilisez un thermomètre à viande pour déterminer la température interne de vos aliments. Ceci permet d'éviter que votre viande ne soit trop cuite ou se dessèche.
- Vous pouvez garder vos aliments chauds au chaud en les enveloppant dans du papier aluminium et en les plaçant dans une glacière isolée. Placez du papier journal froissé autour du papier aluminium et cela tiendra la nourriture chaude pendant 3 à 4 heures.

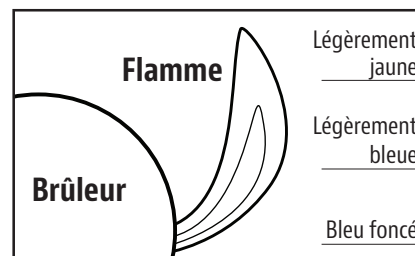


## PREMIÈRE UTILISATION - BRÛLAGE DU PLAQUE CHAUFFANTE

Avant d'utiliser votre plaque de cuisson pour la première fois avec des aliments, il est important d'effectuer un brûlage du plaque de cuisson. Allumez le plaque de cuisson et faire fonctionner pendant au moins 15 minutes à HAUT pour brûler l'unité. Cela «nettoiera à chaud» les composants internes, dissipera les odeurs et vous débarrasser de toute substance étrangère.

### PROCÉDURE D'ALLUMAGE

1. Ouvrez le couvercle pendant l'allumage.
2. Réglez tous les boutons de commande sur la position « 0 ».
3. Ouvrez la bouteille/le robinet de gaz conformément aux instructions d'utilisation figurant sur le réservoir.
4. Enfoncez et tournez le bouton de commande du brûleur dans le sens inverse des aiguilles d'une montre sur la position « 🔥 (position d'allumage) » .
5. Enfoncez le bouton de l'allumeur jusqu'à ce que le brûleur s'allume.
6. Si l'allumage ne survient pas dans les 5 secondes, tournez le robinet sur « 0 », attendez 5 minutes et répétez les instructions d'allumage. Après l'allumage, observez la flamme du brûleur. Assurez-vous que tous les orifices du brûleur sont allumés et que la hauteur de la flamme correspond à l'illustration.
7. Si les étapes ci-dessus ne fonctionnent pas, suivez la **procédure d'allumage manuelle**.



**Si la flamme du brûleur s'éteint pendant le fonctionnement, placez les boutons de commande en position « 0 » (ARRÊT). Attendez cinq minutes avant de tenter de rallumer pour permettre au gaz accumulé de se dissiper.**

### PROCÉDURE EN CAS DE PROBLÈME D'ALLUMEUR

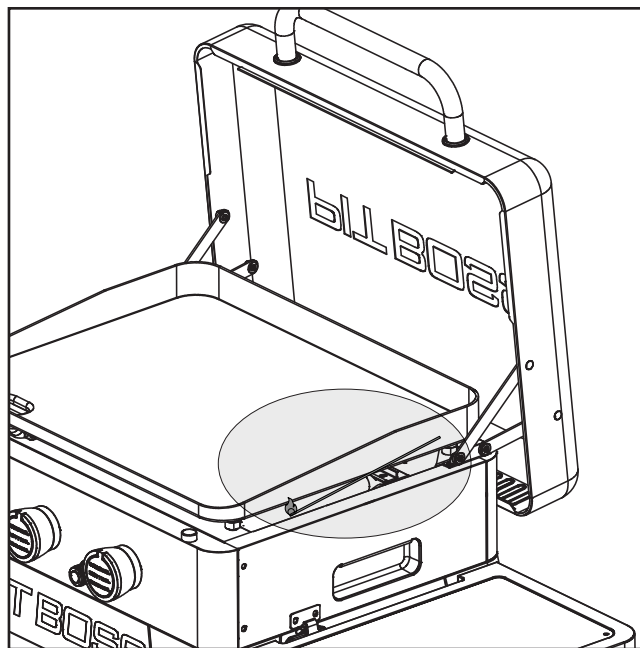
**Si pour une raison quelconque votre allumeur électrique ne fonctionne pas après trois ou quatre tentatives, utilisez les étapes suivantes ou lancez votre gril en mode manuel.**


1. Vérifiez que le bouton du régulateur est en position OFF. Laissez tout gaz accumulé se dissiper.
2. Après cinq minutes, vérifiez les éléments suivants :
  - Confirmez visuellement que l'allumeur fonctionne en enfonceant le bouton de l'allumeur et en recherchant une étincelle à la pointe de l'allumeur. En cas d'absence d'étincelle, réglez la distance entre la pointe de l'allumeur (électrode) et le brûleur à 4,5 mm (3/16 po.).
  - Confirmez visuellement que le tube du brûleur et les hublots ne sont pas obstrués. En cas de blocage, suivez les instructions d'Entretien et maintenance.
3. Si l'un des points ci-dessus ne fonctionne pas, suivez les instructions de **Dépannage**.

## PROCÉDURE D'ALLUMAGE MANUEL

1. Ouvrez le couvercle pendant l'allumage.
2. Réglez tous les boutons de commande sur la position « 0 ».
3. Ouvrez la bouteille/le robinet de gaz conformément aux instructions d'utilisation figurant sur le réservoir.
4. Utilisez rapidement et avec précaution une allumette ou un briquet à long manche pour allumer le brûleur. Accédez au brûleur par le dessous de la plaque chauffante. Placez l'allumette allumée près du côté du brûleur.

**ATTENTION : N'essayez pas d'allumer une autre zone du brûleur. Cela peut causer des blessures.**



5. Enfoncez et tournez le bouton de commande du brûleur dans le sens inverse des aiguilles d'une montre sur la position «  (position d'allumage) ». Maintenez-le enfoncé pendant 10 secondes après l'allumage du brûleur. Le « claquement » de l'étincelle s'arrête dès que vous relâchez le bouton.

**REMARQUE : Ne pas utiliser d'alcool à brûler, d'essence à briquet ou de kérosène pour allumer ou raviver un feu à la plaque chauffante.**

6. Si le brûleur ne s'allume pas dans les 5 secondes, tournez le bouton de commande du brûleur sur « 0 », attendez 5 minutes et répétez les instructions d'allumage. Après l'allumage, observez la flamme du brûleur. Assurez-vous que tous les orifices du brûleur sont allumés et que la hauteur de la flamme correspond à l'illustration précédente.

**REMARQUE : chaque brûleur s'allume indépendamment - répétez les mêmes étapes pour les autres brûleurs.**

**AVERTISSEMENT : Ne vous penchez jamais au-dessus de la zone de cuisson lorsque vous allumez un gril à gaz. Conservez une distance de sécurité d'au moins 457 mm (18 pouces) entre votre visage et votre corps et la surface de la grille de cuisson lorsque vous allumez le gril à l'aide d'une allumette.**

7. Si les instructions ci-dessus ne fonctionnent pas, consultez la section *Dépannage*.

## ARRÊT DU PLAQUE CHAUFFANTE

1. Une fois la cuisson terminée, tournez le robinet de la bouteille de gaz en position FERMÉE et laissez le bouton du régulateur sortir. Cette fonction de sécurité verrouille le bouton du régulateur pour garantir que le gaz ne coule plus.
2. Tournez les boutons de commande en position « 0 ».

**REMARQUE : un bruit de « pouf » est normal car le reste du gaz de pétrole liquéfié est brûlé.**

3. Débranchez la bouteille de gaz de pétrole liquéfié conformément à la section *Débrancher la bouteille de gaz de pétrole liquéfié*.

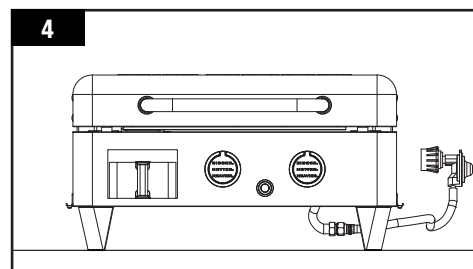
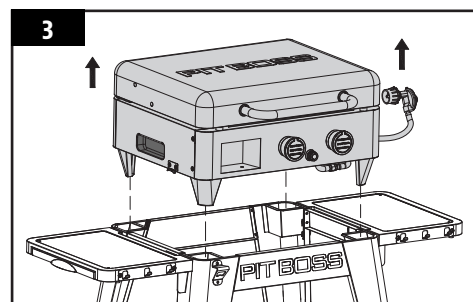
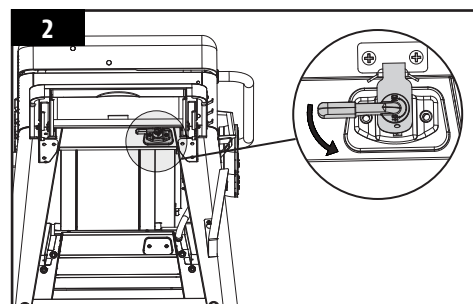
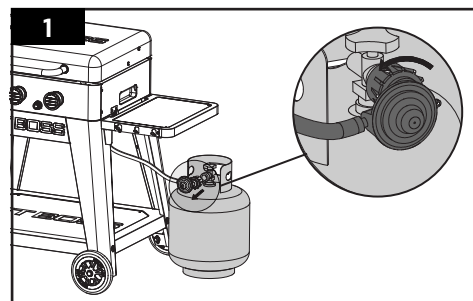
**AVERTISSEMENT : laissez le gril refroidir totalement, et retirez la bouteille de gaz avant tout déplacement, voyage ou stockage.**

# RETIRER LE FOYER DU CHARIOT

Si vous avez les plaques de cuisson des modèles PB2BPGG, PB3BPGG, PB4BPGG, elles peuvent être rapidement et facilement retirées du chariot pour le tailgating ou les voyages. Il suffit de suivre les instructions de montage en sens inverse ou le résumé suivant :

**IMPORTANT : Vérifiez toujours que le foyer est complètement refroidi, qu'elle est débranchée de l'alimentation en gaz et que le bac à graisse a été retiré.**

1. Débranchez l'appareil de l'alimentation en gaz. Débranchez l'ensemble du régulateur de pression du robinet de la bouteille en tournant l'écrou de raccordement rapide dans le sens antihoraire.
2. Tournez les loquets (un de chaque côté) pour déverrouiller le foyer du chariot.
3. À l'aide de deux personnes, soulevez avec précaution le foyer du chariot en utilisant les rainures incrustées de chaque côté. Faites particulièrement attention au régulateur et au tuyau lorsque vous soulevez.
4. Posez immédiatement le foyer sur le sol, ou à l'endroit de votre choix, pour éviter de vous blesser ou d'endommager l'appareil.

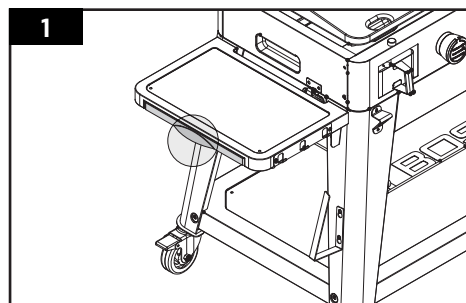


# UTILISATION DU SUPPORT DE SAC POUBELLE

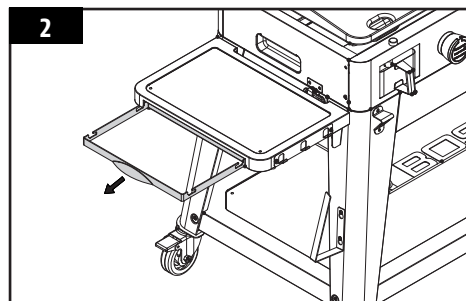
La collecte des déchets n'a jamais été aussi facile avec le support de sac poubelle. Situé sous la tablette latérale gauche, ce cadre en acier inoxydable est facile à nettoyer et fonctionne avec un sac en plastique classique de taille normale, d'un volume d'environ 10 à 20 litres (2,5 à 5 gallons). Le cadre est également conçu pour accueillir la plupart des sacs poubelles standard (avec ou sans poignées) d'un volume maximal de 60 litres (16 gallons).

**IMPORTANT : faites attention au poids du sac sur le support de sac poubelle. Changez fréquemment le sac pour éviter de détériorer l'intégrité de la structure et des composants du support de sac poubelle.**

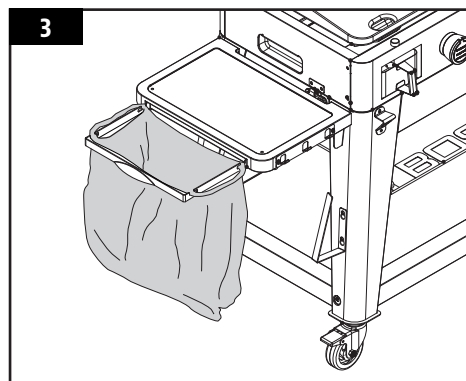
1. Localisez la poignée du support de sac poubelle sur la tablette latérale gauche.



2. Tirez sur le support de sac poubelle pour dégager les supports du cadre.



3. Ajoutez un sac d'épicerie en plastique ou un sac poubelle standard au support de sac poubelle. Utilisez les poignées d'un sac d'épicerie pour faire une boucle autour des supports du cadre, ou faites une boucle à l'aide du sac poubelle autour de trois côtés du cadre pour le maintenir en place.



# ENTRETIEN ET MAINTENANCE

## VÉRIFIEZ LE NIVEAU DE GAZ

Pour vérifier le niveau de gaz dans la bonbonne de gaz propane liquide, le gril doit être en fonction. Placez votre main au-dessus de la bonbonne et descendez doucement sur le côté jusqu'à ce que le réservoir soit froid au toucher. Ceci vous indiquera la quantité approximative de gaz dans votre bonbonne, si elle est au  $\frac{3}{4}$  vide, il vous faudra alors la remplacer.

**IMPORTANT : Ne pas utiliser de briquettes de charbon ou toute autre matière inflammable avec votre gril. L'utilisation de ces matériaux annulera votre garantie et pourrait entraîner un risque d'incendie, une explosion ou des dommages corporels.**

## FRÉQUENCE DE NETTOYAGE

Votre unité Pit Boss® Grills vous servira fidèlement pendant de longues années tout en minimisant les efforts de nettoyage. Suivez ces conseils de nettoyage et d'entretien pour réviser votre gril :

### 1. LES COMPOSANTES DU BRÛLEUR

- Nettoyez le brûleur lorsque celui-ci présente une importante accumulation, afin de veiller à ce qu'il n'y ait aucun blocage (débris, insectes) dans le tube du brûleur ou bien dans les hublots du brûleur. Après une période d'entreposage prolongée, des araignées ou des petits insectes peuvent construire des nids, des toiles et pondre leurs œufs dans le tube du brûleur, nuisant ainsi à la circulation du gaz jusqu'au brûleur. Un tube obstrué peut provoquer un incendie sous l'appareil. Si vous entreposez votre gril ou si vous pensez ne pas l'utiliser pendant une longue période, enlevez le brûleur et enveloppez-le de feuilles d'aluminium afin de réduire le risque que des insectes ne pénètrent dans les trous du brûleur.
- The burner has been preset for optimal flame performance. A blue flame, possibly with a small yellow tip, is the result of the optimal air and gas mixture. If flames are excessively yellow, orange or irregular, clean the oil and food deposits on the burner surface and the burner portholes to increase airflow.

### 2. COMPOSANTS DE CUISSON

- La plaque chaude de le foyer possède un revêtement en céramique. Le bois, la silicone ou le nylon sont des matériaux à privilégier en matière d'ustensiles, car ils minimisent l'usure de la surface de cuisson.
- L'appareil est livré avec un culottage d'usine, mais il est important de nettoyer et de culotter la plaque chauffante après chaque utilisation pour prévenir la rouille, prolonger la durée de vie de le foyer et créer une surface de cuisson antiadhésive. Le culottage de la plaque chauffante est un processus continu qui doit être répété tout au long de la vie de le foyer pour assurer la meilleure expérience de cuisson et la plus longue durée d'utilisation.
  1. Nettoyez la plaque chauffante après chaque utilisation, à l'aide d'une spatule ou d'un grattoir pour éliminer tous les aliments et les débris.
  2. Appliquez généreusement une couche uniforme d'huile de friture sur la surface de cuisson. Les huiles végétales, d'olive, d'arachide, de noix de coco et de sésame conviennent toutes pour culotter le foyer.
  3. Laissez refroidir dans un endroit frais et sec.

### 3. EXTÉRIEUR DE LE FOYER

- Vérifiez souvent votre récipient à graisse et nettoyez-le si nécessaire. Gardez à l'esprit le type d'aliments qui sont cuits.
- Utilisez une couverture afin de protéger votre plaque de cuisson pour une protection complète! Une couverture est votre meilleure protection contre les intempéries et les polluants extérieurs. Lorsqu'elle n'est pas utilisée ou pour un stockage à long terme, conservez l'unité sous une couverture dans un garage ou un hangar, sans la bonbonne de gaz (doit être conservée à l'extérieur).

**TABLEAU DE NETTOYAGE (UTILISATION NORMALE)**

ARTICLE	FRÉQUENCE DE NETTOYAGE	MÉTHODE DE NETTOYAGE
Surface de cuisson	Après chaque utilisation	Brûler le surplus, éponge à gratter et eau savonneuse, assaisonner avec d'huile de cuisson
Récipient à graisse	Après chaque utilisation	Vider, éponge à gratter et eau savonneuse
Tube du brûleur, les hublots	Toutes les 5-6 sessions de cuisson	Poussière, éponge à gratter et eau savonneuse
Brûleurs	Toutes les 5-6 sessions de cuisson	Éponge à gratter et eau savonneuse
Chariot	En fonction des besoins	Chiffon non abrasif et eau savonneuse

## CONSEILS ET TECHNIQUES

Suivez ces astuces et techniques utiles, transmises par les propriétaires de produits Pit Boss®, notre équipe et nos clients tels que vous, afin de vous familiariser avec votre gril :

### 1. SÉCURITÉ ALIMENTAIRE

- Maintenez le contenu de la cuisine et de la zone de cuisson propre. Utilisez des plats et ustensiles différents pour la viande cuite et la préparation ou le transport de la viande crue sur le gril. Vous pourrez ainsi éviter une contamination croisée de bactéries. Chaque marinade ou jus de cuisson doit posséder ses propres ustensiles.
- Maintenez au chaud les aliments chauds (au-dessus de 60 °C/140 °F) et au frais les aliments froids (en dessous de 3 °C/37 °F). Les aliments cuits ne doivent pas être laissés dehors dans la chaleur durant plus d'une heure. Ne laissez pas les aliments chauds sans réfrigération durant plus de deux heures.
- Une marinade ne doit jamais être conservée et utilisée ultérieurement. Si vous comptez la servir avec votre viande, faites-la préalablement bouillir.
- Décongelez et faites mariner la viande par réfrigération. Ne la faites pas décongeler à température ambiante ou sur un plan de travail. Des bactéries peuvent se développer et se multiplier rapidement au sein d'aliments tièdes et humides. Lavez-vous minutieusement les mains avec de l'eau chaude et savonneuse avant la préparation d'un repas et après avoir manipulé de la viande, du poisson et de la volaille.

### 2. PRÉPARATION POUR LA CUISSON

- Préparez-vous bien. Placez la recette, les combustibles, les accessoires, les ustensiles et tous les ingrédients dont vous avez besoin près du gril avant de débiter la cuisson. Lisez également toute la recette avant d'allumer le gril.
- Un tapis de protection pour barbecue est très utile. Étant donné les risques d'éclaboussures et d'accidents en manipulant de la nourriture, un tapis protège les terrasses, patios ou plateformes en pierre contre les taches de graisse ou les renversements accidentels.

### 3. ASTUCES ET TECHNIQUES DE CUISSON

- Utilisez toujours un thermomètre de cuisson pour déterminer la température interne des aliments que vous cuisinez. Pour que votre nourriture reste chaude, une bonne astuce consiste à la placer sur un plat chauffé. La viande rouge, telle que les steaks et les rôtis, est meilleure si vous la laissez reposer quelques minutes avant de la servir. Cela permet aux jus ayant été attirés vers la surface par la chaleur de revenir vers le centre de la viande, ajoutant ainsi plus de saveur.
- Il vaut mieux ajouter les sauces sucrées vers la fin de la cuisson pour éviter que la viande ne brûle ou flambe.
- Utilisez un ensemble de pinces à manche long pour tourner la viande et une spatule pour tourner les steaks hachés et le poisson. Utiliser un ustensile perçant, tel qu'une fourchette, piquera la viande et laissera le jus s'échapper.

# DÉPANNAGE

Un nettoyage et une maintenance adaptés, ainsi que l'utilisation de combustible propre, sec et de qualité évitera la plupart des problèmes de fonctionnement. Lorsque votre gril Pit Boss® est mal ou peu utilisé, les astuces de dépannage suivantes peuvent s'avérer utiles. Pour consulter des FAQ, rendez-vous sur [www.pitboss-grills.com](http://www.pitboss-grills.com). Vous pouvez également contacter votre revendeur local agréé par Pit Boss® ou le service clients pour obtenir de l'aide.

**ATTENTION : Veillez à ce que le gril soit totalement froid afin d'éviter toute blessure.**

PROBLÈME	CAUSE	SOLUTION
Le brûleur ne s'allumera pas	Le fil d'allumage est cassé	Contactez le service clients pour obtenir de l'aide ou une pièce de rechange.
	La pointe de l'électrode ne produit pas d'étincelles sur les orifices du brûleur	Réglez l'électrode. Contactez le service clients pour obtenir de l'aide ou une pièce de rechange.
	Pas d'alimentation en gaz	Vérifiez la vanne du régulateur. Vérifiez l'absence de fuite sur la connexion.
Flambée excessive	Grillade de viandes grasses	Grillez les viandes grasses lorsque les grilles sont froides et que les boutons se trouvent sur le réglage « LOW ». Déplacez les viandes sur l'étagère de réchauffage si la flambée continue.
	Température de cuisson	Essayez de cuire à plus faible température. La graisse possède un point d'inflammabilité. Maintenez une température inférieure à 176 °C/350 °F lorsque vous cuisez des aliments très gras.
	Eau pulvérisée sur les flammes du gaz	Ne pulvérisez pas d'eau sur les flammes du gaz.
Le brûleur s'éteint	Aucun débit de gaz	Vérifiez le raccordement au gaz et assurez-vous qu'il soit ouvert. Remplacez la bonbonne de gaz si elle est vide.
	Les rafales ou les vents forts	Tournez l'avant du gril hors du vent ou bien augmentez la hauteur de la flamme.
Faible chaleur avec le réglage « HIGH »	Les orifices sont obstrués	Nettoyez les orifices des obstructions.
	La bouteille de gaz est vide	Remplissez la bouteille de gaz.
Fuite de gaz	Mauvaise installation	Tournez le bouton du régulateur à la position « O » (Arrêt) et laissez le bouton s'éjecter. Enlevez la bonbonne de gaz. Installez à nouveau et serrez. Effectuez un essai d'étanchéité afin de garantir le fonctionnement du joint. Remplacez la bonbonne si celle-ci est endommagée.
	Défaillance du joint	Le cylindre à gaz est corrodé, rouillé ou a été mal traité. Remplacez la bonbonne.
	Panne du régulateur	Le régulateur doit être remplacé. Contactez le service à la clientèle pour des pièces de rechange.
Les flammes du brûleur sont jaunes ou oranges	Mauvais débit d'air	Vérifiez le tube du brûleur et les hublots afin de déceler la présence de toiles d'araignée ou toute autre obstruction. Suivez les instructions d' <b>entretien et de maintenance</b> pour nettoyer le tube du brûleur.
	Tube de brûleur, hublots obstrués	
	Le plateau à graisse est plein, il coule sur le sol	Vider le plateau à graisse l'installer à nouveau. Suivez les instructions d' <b>entretien et de maintenance</b> .
	La vanne du régulateur est fermée	Vérifiez la connexion de la vanne du régulateur à la bonbonne de gaz. Enlevez puis installez à nouveau. Effectuez un essai d'étanchéité.
	Le brûleur est sale	Tournez le bouton du régulateur à ÉLEVÉ pendant cinq minutes et faites brûler l'unité. Suivez les instructions d' <b>entretien et de maintenance</b> .

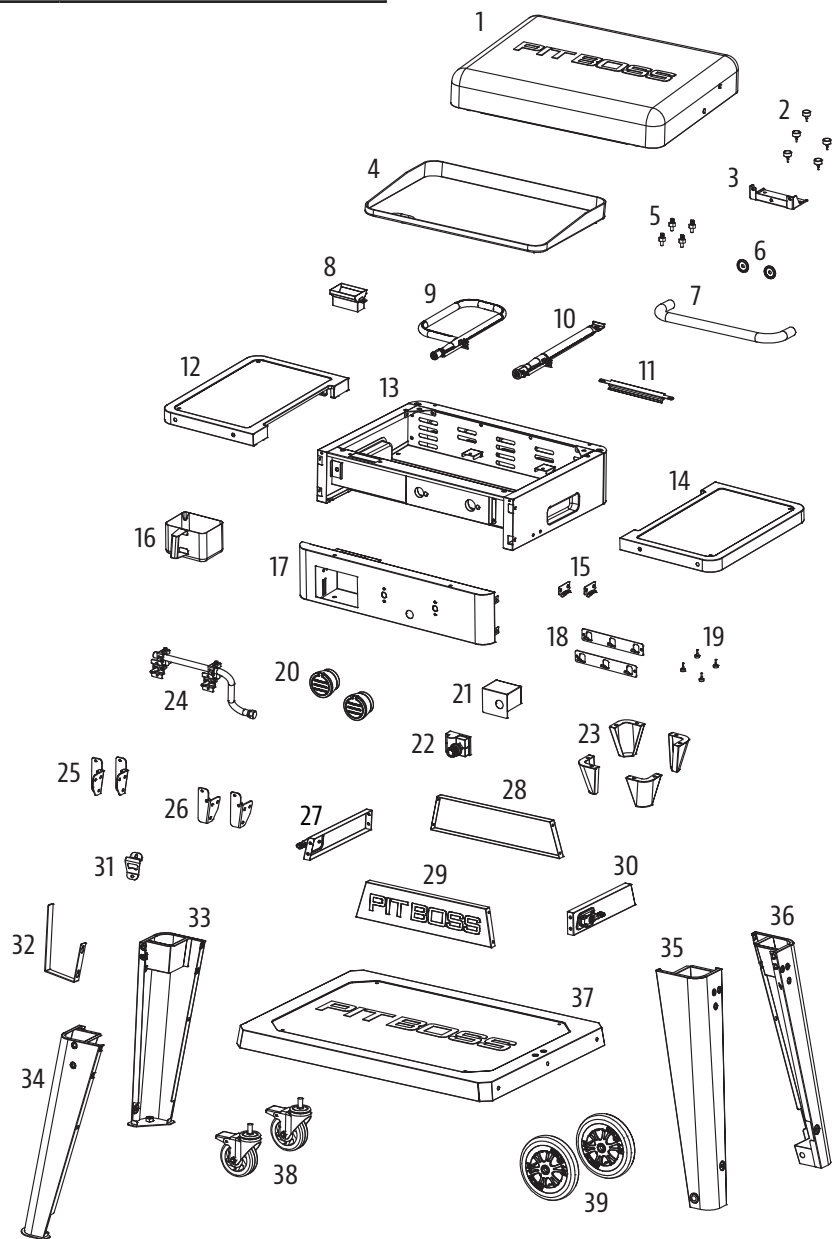


# PIÈCES DE RECHANGE

## PB2BGD2

No.	Description
1	Couvercle (x1)
2	Support de couvercle en caoutchouc (x6)
3	Support de couvercle (x1)
4	Plaque chauffante (x1)
5	Vis des pieds de la plaque chauffante (x4)
6	Bague de la poignée du couvercle (x2)
7	Poignée du couvercle (x1)
8	Déversoir à graisse (x1)
9	Brûleur de type P (x1)
10	Brûleur droit (x1)
11	Croisement des brûleurs (x1)
12	Tablette latérale - gauche (x1)
13	Assemblage du foyer (x1)
14	Tablette latérale - droite (x1)
15	Crochet de verrouillage (x2)
16	Bac à graisse (x1)
17	Panneau de commande du foyer (x1)
18	Panneau de fixation de tablette latérale (x2)
19	Support de tablette latérale en caoutchouc (x4)
20	Bouton de commande (x2)
21	Écran thermique de l'allumeur (x1)
22	Allumeur (x1)
23	Pieds du foyer (x4)
24	Ensemble robinet (x1)
25	Support de tablette latérale - gauche (x2)
26	Support de tablette latérale - droit (x2)
27	Panneau latéral du chariot - gauche (x1)
28	Panneau arrière du chariot (x1)
29	Panneau avant du chariot (x1)
30	Panneau latéral du chariot - droit (x1)
31	Décapsuleur (x1)
32	Crochet du distributeur d'essuie-tout (x1)
33	Pied de soutien pour roulette - arrière (x1)
34	Pied de soutien pour roulette - avant (x1)
35	Pied de soutien pour roue - avant (x1)
36	Pied de soutien pour roue - arrière (x1)
37	Tablette inférieure (x1)
38	Roulette verrouillable (x2)
39	Roue (x2)

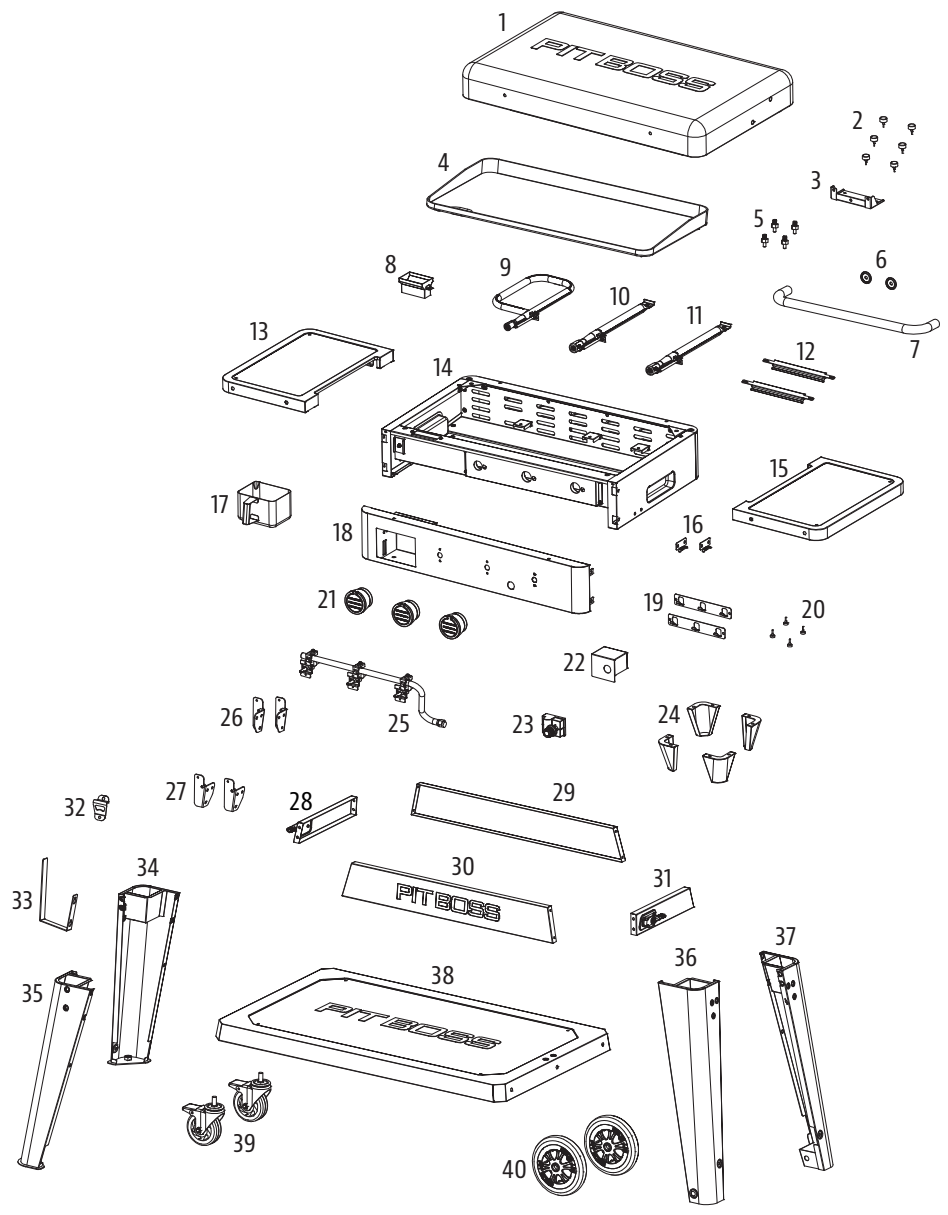
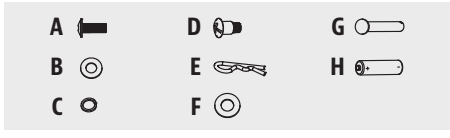
No.	Description
A	Vis (x37)
B	Rondelle (x16)
C	Rondelle de blocage (x16)
D	Vis (x4)
E	Clavette de roue (x2)
F	Rondelle de roue (x2)
G	Axe de roue (x2)
H	Pile (x1)



REMARQUE : En raison du développement continu du produit, les pièces peuvent être modifiées sans préavis.

PB3BGD2	
Part#	Description
1	Couvercle (x1)
2	Support de couvercle en caoutchouc (x6)
3	Support de couvercle (x1)
4	Plaque chauffante (x1)
5	Vis des pieds de la plaque chauffante (x4)
6	Bague de la poignée du couvercle (x2)
7	Poignée du couvercle (x1)
8	Déversoir à graisse (x1)
9	Brûleur de type P (x1)
10	Brûleur central (x1)
11	Brûleur droit (x1)
12	Croisement des brûleurs (x2)
13	Tablette latérale - gauche (x1)
14	Assemblage du foyer (x1)
15	Tablette latérale - droite (x1)
16	Crochet de verrouillage (x2)
17	Bac à graisse (x1)
18	Panneau de commande du foyer (x1)
19	Panneau de fixation de tablette latérale (x2)
20	Support de tablette latérale en caoutchouc (x4)
21	Bouton de commande (x3)
22	Écran thermique de l'allumeur (x1)
23	Allumeur (x1)
24	Pieds du foyer (x4)
25	Ensemble robinet (x1)
26	Support de tablette latérale - gauche (x2)
27	Support de tablette latérale - droit (x2)
28	Panneau latéral du chariot - gauche (x1)
29	Panneau arrière du chariot (x1)
30	Panneau avant du chariot (x1)
31	Panneau latéral du chariot - droit (x1)
32	Décapsuleur (x1)
33	Crochet du distributeur d'essuie-tout (x1)
34	Pied de soutien pour roulette - arrière (x1)
35	Pied de soutien pour roulette - avant (x1)
36	Pied de soutien pour roue - avant (x1)
37	Pied de soutien pour roue - arrière (x1)
38	Tablette inférieure (x1)
39	Roulette verrouillable (x2)
40	Roue (x2)

No.	Description
A	Vis (x37)
B	Rondelle (x16)
C	Rondelle de blocage (x16)
D	Vis (x4)
E	Clavette de roue (x2)
F	Rondelle de roue (x2)
G	Axe de roue (x2)
H	Pile (x1)

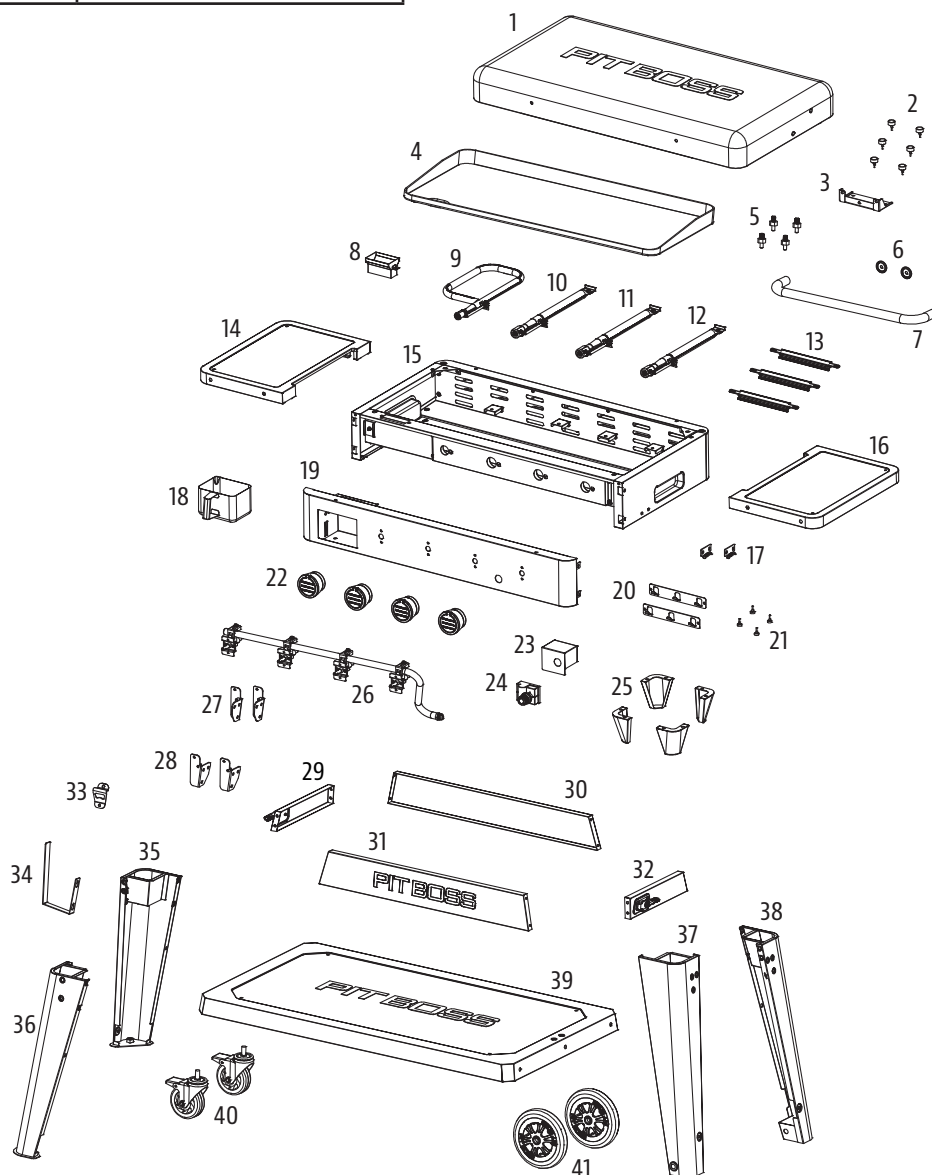


REMARQUE : En raison du développement continu du produit, les pièces peuvent être modifiées sans préavis.

## PB4BGD2

Part#	Description
1	Couvercle (x1)
2	Support de couvercle en caoutchouc (x6)
3	Support de couvercle (x1)
4	Plaque chauffante (x1)
5	Vis des pieds de la plaque chauffante (x4)
6	Bague de la poignée du couvercle (x2)
7	Poignée du couvercle (x1)
8	Déversoir à graisse (x1)
9	Brûleur de type P (x1)
10	Brûleur gauche (x1)
11	Brûleur central (x1)
12	Brûleur droit (x1)
13	Croisement des brûleurs (x3)
14	Tablette latérale - gauche (x1)
15	Assemblage du foyer (x1)
16	Tablette latérale - droite (x1)
17	Crochet de verrouillage (x2)
18	Bac à graisse (x1)
19	Panneau de commande du foyer (x1)
20	Panneau de fixation de tablette latérale (x2)
21	Support de tablette latérale en caoutchouc (x4)
22	Bouton de commande (x4)
23	Écran thermique de l'allumeur (x1)
24	Allumeur (x1)
25	Pieds du foyer (x4)
26	Ensemble robinet (x1)
27	Support de tablette latérale - gauche (x2)
28	Support de tablette latérale - droit (x2)
29	Panneau latéral du chariot - gauche (x1)
30	Panneau arrière du chariot (x1)
31	Panneau avant du chariot (x1)
32	Panneau latéral du chariot - droit (x1)
33	Décapsuleur (x1)
34	Crochet du distributeur d'essuie-tout (x1)
35	Pied de soutien pour roulette - arrière (x1)
36	Pied de soutien pour roulette - avant (x1)
37	Pied de soutien pour roue - avant (x1)
38	Pied de soutien pour roue - arrière (x1)
39	Tablette inférieure (x1)
40	Roulette verrouillable (x2)
41	Roue (x2)

No.	Description
A	Vis (x37)
B	Rondelle (x16)
C	Rondelle de blocage (x16)
D	Vis (x4)
E	Clavette de roue (x2)
F	Rondelle de roue (x2)
G	Axe de roue (x2)
H	Pile (x1)

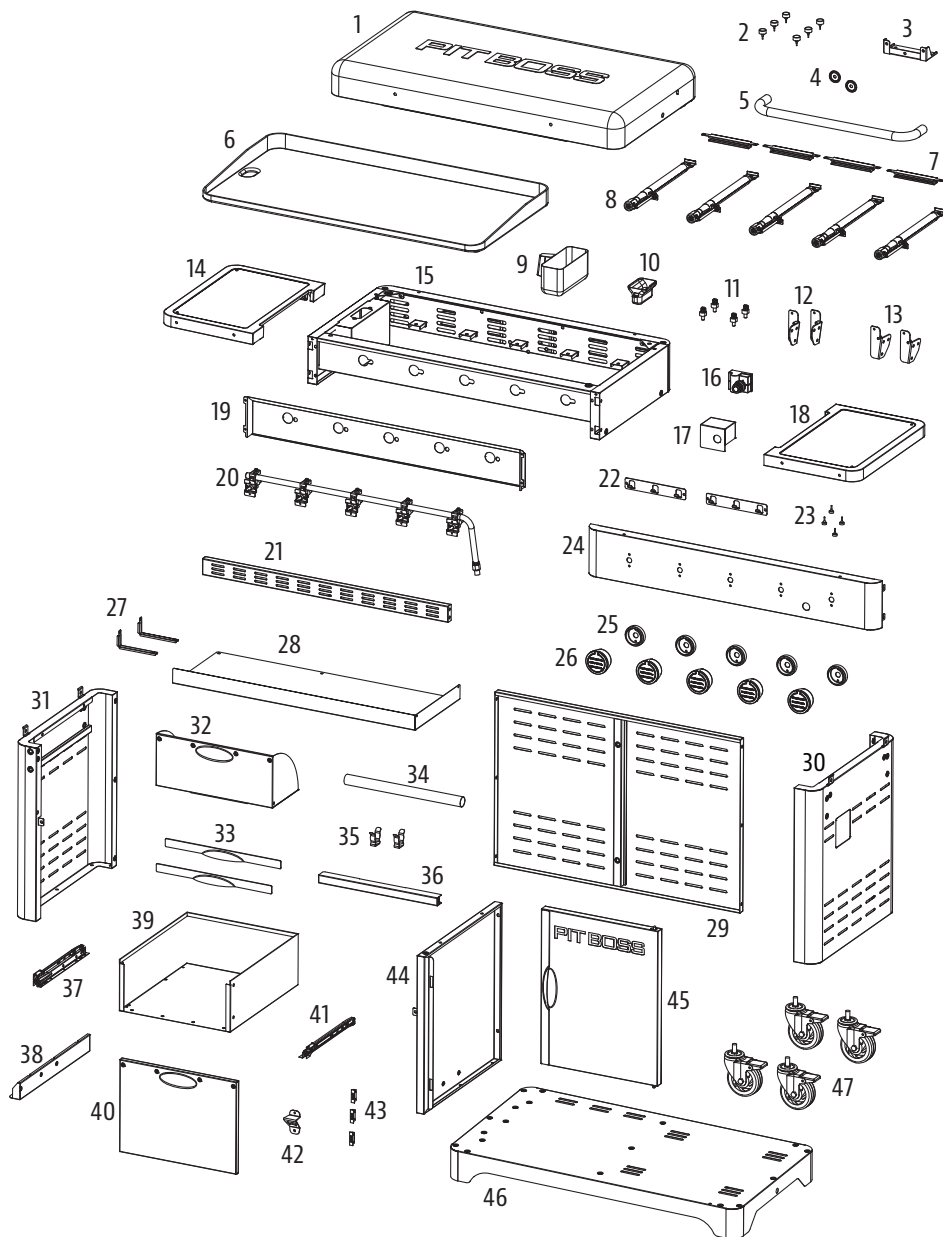
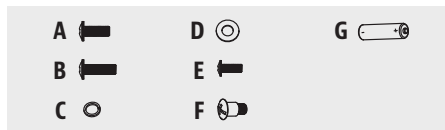


REMARQUE : En raison du développement continu du produit, les pièces peuvent être modifiées sans préavis.

# PB5BGD2

No.	Description
1	Couvercle (x1)
2	Support de couvercle en caoutchouc (x6)
3	Support de couvercle (x1)
4	Bague de la poignée du couvercle (x2)
5	Poignée du couvercle (x1)
6	Plaque chauffante (x1)
7	Brûleur (x5)
8	Bac à graisse (x1)
9	Déversoir à graisse (x1)
10	Vis des pieds de la plaque chauffante (x4)
11	Support de tablette latérale - gauche (x2)
12	Support de tablette latérale - droit (x2)
13	Tablette latérale - gauche (x1)
14	Assemblage du foyer (x1)
15	Allumeur (x1)
16	Écran thermique de l'allumeur (x1)
17	Tablette latérale - droite (x1)
18	Écran thermique d'avant (x1)
19	Ensemble robinet (x1)
20	Panneau avant du chariot (x1)
21	Panneau de fixation de tablette latérale (x2)
22	Support de tablette latérale en caoutchouc (x4)
23	Panneau de commande du foyer (x1)
24	Support de bouton de commande (x5)
25	Bouton de commande (x5)
26	Support d'écran thermique (x2)
27	Panneau d'écran thermique (x1)
28	Panneau arrière du chariot (x1)
29	Panneau latéral du chariot - droit (x1)
30	Panneau latéral du chariot - gauche (x1)
31	Tiroir basculant (x1)
32	Poignée de tiroir (x2)
33	Barre du distributeur d'essuie-tout (x1)
34	Bloc d'arrêt (x2)
35	Barre de support de tiroir (x1)
36	Rails de tiroir - gauche (x1)
37	Support de rail (x1)
38	Tiroir (x1)
39	Façade de tiroir (x1)
40	Rails de tiroir - droite (x1)
41	Décapsuleur (x1)
42	Boucle magnétique (x3)
43	Cloison du chariot (x1)
44	Porte de l'armoire (x1)
45	Fond du chariot (x1)
46	Boulon de bouteille de gaz (x1)
47	Roulette verrouillable (x4)

No.	Description
A	Vis (x54)
B	Vis (x2)
C	Rondelle de blocage (x14)
D	Rondelle (x14)
E	Vis (x14)
F	Vis (x6)
G	Pile (x1)



REMARQUE : En raison du développement continu du produit, les pièces peuvent être modifiées sans préavis.

# GARANTIE

## CONDITIONS

Tous les foyers de gaz de Pit Boss® Grills, fabriquées par Dansons, contiennent une garantie limitée à partir de la date de vente par le propriétaire initial. La garantie entre en vigueur à la date d'achat, et une preuve de la date d'achat ou copie de votre achat de vente original est requise pour valider la garantie. Si le client n'est pas en mesure de produire une preuve de l'achat ou si la date de couverture de la garantie est dépassée, il sera tenu de payer les pièces, l'expédition et la main-d'œuvre. Dansons offre une garantie de deux ans (2) contre les défauts et fabrication sur toutes les pièces. Dansons garantit que toute partie(s) sont exemptes de défauts de matériel et de fabrication, pour la durée d'utilisation et de propriété de l'acheteur initial. La garantie ne couvre pas les dommages causés par l'usure, tels que les rayures, les bosses, les coups, les éclats ou les fissures cosmétiques mineures. Ces changements esthétiques du gril n'affectent pas sa performance. La réparation ou le remplacement d'une pièce ne prolonge pas la garantie limitée au-delà de deux ans (2) prévue à partir de la date d'achat.

Pendant la période de la garantie limitée, l'obligation de Dansons se limitera à fournir le remplacement des composants couverts et/ou défectueux. Tant que cela se produit pendant la période de la garantie, Dansons ne vous facturera pas sur la réparation ou le remplacement des pièces retournées, le port-payé, si Dansons détermine que ces pièces se révèlent défectueuses après inspection. Dansons ne sera pas tenu responsable des frais de transport, du coût salarial ou des droits d'exportation. Sauf disposition contraire dans ces conditions de garantie, la réparation ou le remplacement des pièces de la façon et pour la durée fixée ci-dessous, remplira le devoir de toutes les responsabilités et obligations directes et dérivées de Dansons Inc. envers vous. Dansons Inc. prend toutes les précautions pour utiliser les matériaux qui retardent la formation de la rouille. Même avec ces garanties, le revêtement protecteur peut être compromis par diverses substances et conditions qui échappent au contrôle de Dansons. Les hautes températures, l'humidité excessive, le chlore, les gaz industriels, les engrais, les pesticides utilisés pour les pelouses et le sel sont quelques-unes des substances pouvant affecter les revêtements métalliques. C'est pour ces raisons que les garanties limitées ne couvrent pas la rouille ni l'oxydation, à moins que les composants du gril présentent une perte d'intégrité structurelle. Si les scénarios décrits ci-dessus devaient se produire, veuillez vous référer à la section de soin et d'entretien pour prolonger la durée de vie de votre unité. Dansons recommande l'utilisation d'une couverture lorsque le gril n'est pas utilisé.

Les garanties s'appliquent à un usage domestique et une utilisation normale du gril et aucune des garanties limitées ne s'applique à un gril utilisé pour des applications commerciales.

## EXCEPTIONS

Il n'existe pas de garantie de performance écrite ou implicite sur les produits Pit Boss® Grills car le fabricant ne contrôle pas l'installation, le fonctionnement, le nettoyage, l'entretien ou le type de combustible brûlé. La garantie limitée ne s'appliquera pas, et Dansons n'assumera aucune responsabilité, si votre appareil n'a pas été installé, opéré, nettoyé et entretenu conformément aux instructions du fabricant. Toute utilisation de gaz non précisée dans ce manuel peut annuler la garantie. La garantie ne couvre pas les dommages ou ruptures causées par une mauvaise utilisation, mauvaise manutention ou des modifications. Dansons et les fournisseurs autorisés Pit Boss® Grills déclinent toute responsabilité, légale ou autre, quant aux dommages accidentels ou consécutifs à la propriété ou aux personnes résultant de l'utilisation de ce produit. Si une réclamation est retournée contre Dansons basée sur la violation de cette garantie ou de tout autre type de garantie explicite ou implicite en droit, le fabricant ne sera en aucun cas tenu responsable des dommages-intérêts spéciaux, punitifs ou indirects de quelque nature que ce soit en surplus du prix d'achat original de ce produit. Toutes les garanties du fabricant sont énoncées ici et aucune réclamation ne sera effectuée contre le fabricant par le biais d'une garantie ou de représentation. Certaines provinces n'autorisent pas l'exclusion ou la limitation des dommages accidentels ou consécutifs, ou les limitations des garanties implicites, de sorte qu'il est possible que les exclusions et limitations énoncées dans cette garantie limitée ne s'appliquent pas à vous. Cette garantie limitée vous donne des droits légaux spécifiques, et vous pourriez aussi avoir d'autres droits légaux qui pourront varier selon l'état ou la province.

## COMMANDER DES PIÈCES DE RECHANGE

Pour commander des pièces de rechange, veuillez contacter votre revendeur local ou consulter notre boutique en ligne : [www.pitboss-grills.com](http://www.pitboss-grills.com)

## CONTACTER LE SERVICE CLIENTS

Si vous avez la moindre question ou si vous rencontrez des problèmes, contactez le service clients : [www.pitboss-grills.com](http://www.pitboss-grills.com)

## SERVICE DE LA GARANTIE

Contactez le revendeur de Pit Boss® le plus proche de chez vous si vous avez besoin d'une réparation ou de pièces de rechange. Dansons exige une preuve d'achat afin d'établir une réclamation sous garantie. Ainsi, conservez votre reçu ou votre facture d'origine pour vous y référer ultérieurement. Le numéro de série et de modèle de votre appareil Pit Boss® se trouve au dos de l'unité. Les numéros d'enregistrement ci-dessous ainsi que l'étiquette peuvent s'user ou devenir illisibles.

---

MODÈLE

---

NUMÉRO DE SÉRIE

---

DATE D'ACHAT

---

REVENDEUR AGRÉÉ

FR

FRANÇAIS

# INFORMACIÓN DE SEGURIDAD

LAS PRINCIPALES CAUSAS DE INCENDIOS DE APARATOS SON FRUTO DE UN MANTENIMIENTO DEFICIENTE Y DE QUE NO SE MANTENGA EL ESPACIO SUFICIENTE ENTRE EL APARATO Y LOS MATERIALES COMBUSTIBLES. ES DE SUMA IMPORTANCIA QUE ESTE PRODUCTO SE USE EXCLUSIVAMENTE DE ACUERDO CON LAS INSTRUCCIONES SIGUIENTES.

Lea y entienda todo el manual antes de intentar montar, manejar o instalar el producto. Esto le garantizará un disfrute completo y un funcionamiento sin problemas de su nueva plancha de gas portátil. También le recomendamos que conserve este manual para futuras consultas.

## ADVERTENCIAS SOBRE EL GAS PROPANO

### PELIGRO

Si detecta olor a gas:

- Cierre la entrada de gas al aparato.
- Apague cualquier llama.
- Abra la tapa.
- Si el olor persiste, manténgase alejado del aparato y llame de inmediato al suministrador de gas o a los bomberos.

### ADVERTENCIA

- No guarde ni utilice gasolina ni otros líquidos o vapores inflamables cerca de este u otro aparato.
- No guarde cerca de este u otros aparatos ningún tanque de gas licuado que esté desconectado para su uso.
- Para operar, necesitará un cilindro de gas propano líquido ("LP") para parrilla G30 / G31 estándar lleno de precisión con roscas de válvula externas. El diámetro máximo y la altura máxima del cilindro son 300 mm (11,8 pulgadas) y 600 mm (23,6 pulgadas).

1. Asegúrese de comprar el cilindro de gas de un distribuidor acreditado. Un tanque de gas LP que se haya llenado incorrectamente o en exceso puede ser peligroso. El llenado excesivo, combinado con el calentamiento del tanque de gas LP (un día caluroso de verano, dejar el tanque bajo el Sol, etc.) puede hacer que el gas LP se escape, ya que el aumento de temperatura hace que el gas se expanda. El gas liberado del cilindro es inflamable y puede ser explosivo.
2. No use un cilindro de gas LP si tiene una válvula dañada o muestra abolladuras, bultos, boquetes, daños por fuego, corrosión, fugas, oxidación excesiva, u otros daños visibles en el exterior; puede ser peligroso y debe ser revisado de inmediato por un proveedor de propano líquido.

**Si observa, huele o escucha el silbido del gas escapando del cilindro, no intente encender el aparato. Apague todas las llamas. Desconecte la alimentación de combustible.**

3. No conecte ni desconecte el cilindro de gas mientras la unidad está en uso o sigue caliente. Cuando no esté usando el asador, asegúrese de que la perilla del regulador esté en la posición de APAGADO y desconecte el cilindro de gas. Nunca mueva ni transporte la unidad mientras el cilindro de gas está conectado. No almacene un cilindro de gas LP de repuesto debajo del aparato, ni cerca de él.
4. Los cilindros deben almacenarse al aire libre fuera del alcance de los niños y no deben almacenarse en un edificio, garaje o cualquier otra área cerrada.



5. No obstruya el flujo de aire de combustión y de ventilación hacia este aparato. Mantenga el tubo del quemador y los orificios de entrada limpios y libres de escombros. Limpie el aparato antes de usarlo. Es necesario darle cuidado y mantenimiento regular a su unidad para prolongar su vida útil.
6. Siempre busque fugas de gas cuando conecto y desconecte el regulador del cilindro de gas, especialmente después de un período de almacenamiento (por ejemplo, después del invierno). Revise todas las conexiones con una solución de agua jabonosa y una brocha para detectar fugas. Nunca busque fugas usando una llama.
7. Limpie e inspeccione el regulador de gas antes de cada uso del asador a gas para exteriores. Reemplace el regulador de gas antes de usarlo si existe alguna evidencia de abrasión o desgaste excesivo.
8. Use este aparato exclusivamente con gas licuado de petróleo, según se especifica en la etiqueta informativa de la unidad. No intente usar su asador con otros gases. No intente convertir esta unidad de gas LP a gas natural. No cumplir con esta advertencia podría causar incendios y lesiones corporales, y anulará su garantía.
9. La ubicación del tubo del quemador con respecto al agujero es fundamental para un funcionamiento seguro. Verifique que el agujero esté dentro del tubo del quemador antes de usar la parrilla de gas. Si el tubo del quemador no encaja en el agujero de la válvula, al encender el quemador se puede producir una explosión o un incendio.

## PELIGROS Y ADVERTENCIAS

**Debe ponerse en contacto con los encargados locales de su vivienda, edificio o de los bomberos, o autoridad competente, para obtener los permisos necesarios, misión o información sobre cualquier restricción de la instalación, como los de cualquier barbacoa que se instale en una superficie combustible, requisitos de inspección o incluso la capacidad de uso, de su zona.**

1. Debe mantenerse una distancia mínima de 1,270 mm (50 pulgadas) entre los recipientes de combustible y los lados de la barbacoa, y de 1,270 mm (50 pulgadas) entre la parte posterior de la barbacoa y los recipientes de combustible. **No instale el aparato en suelos combustibles o en suelos protegidos con superficies combustibles a menos que se obtengan los permisos y autorizaciones correspondientes de las autoridades competentes.** No use este aparato en el interior, en áreas cerradas o no ventiladas, dentro de los hogares, vehículos, tiendas de campaña, garajes. Este aparato de pélets de madera no debe colocarse debajo de techos o voladizos combustibles. Mantenga la barbacoa en un área libre de materiales combustibles, gasolina y otros vapores y líquidos inflamables.

**En caso de un fuego de grasa, debe apagar el asador y hasta que se apague el fuego. No arroje agua sobre el fuego. No trate de sofocar el fuego. Es muy recomendable mantener cerca un extintor de incendios aprobado para todo tipo de fuego (clase ABC). Si ocurre un incendio sin control, llame al Departamento de Bomberos.**

2. Este asador para exteriores no está diseñado para instalarse en/sobre vehículos de recreación o botes

**Nunca utilice este aparato en un espacio cerrado, como una casa rodante, una tienda de campaña, un auto, un bote o una casa. Este aparato no está diseñado para ser utilizado como calefactor, y nunca debe utilizarse como tal.**

3. No se recomienda que este aparato sea utilizado por niños, personas con capacidades físicas, sensoriales o mentales reducidas, o que no tengan suficiente experiencia y conocimientos, a menos que sean supervisados o dirigidos por una persona responsable de su seguridad.
4. Algunas partes del asador podrían estar muy calientes y pueden causar lesiones graves. Mantenga alejados a los niños pequeños y las mascotas mientras la utiliza. No toque las superficies calientes. Use guantes resistentes al calor, pinzas de mango largo o guantes de cocina en todo momento, ya que el asador se calentará mucho.
5. Nunca use el asador sin que el recipiente de grasa esté instalado y colgado bajo la cámara de combustión. Sin el recipiente de grasa la grasa caliente y los residuos podrían gotear hacia el piso y generar un peligro de incendio.



## MONÓXIDO DE CARBONO (“EL ASESINO SILENCIOSO”)

Siempre use los aparatos de gas al aire libre en un área abierta con buena ventilación, para evitar respirar los vapores gases tóxicos de la combustión o fugas del gas. El monóxido de carbono es un gas incoloro, inodoro e insípido que se produce al quemar gas, madera, propano, carbón y otros combustibles. El monóxido de carbono reduce la capacidad de la sangre para transportar oxígeno. Los niveles bajos de oxígeno en la sangre pueden causar dolor de cabeza, mareos, debilidad, náuseas, vómitos, somnolencia, confusión, pérdida de la conciencia y muerte. Siga estas instrucciones para evitar que este gas incoloro e inodoro lo intoxique a usted, a su familia o a otras personas:

- Consulte a un médico si usted u otras personas presentan síntomas de resfriado o gripe mientras cocinan o en los alrededores del aparato. La intoxicación por monóxido de carbono, que puede confundirse fácilmente con gripe o resfriado, con frecuencia se detecta demasiado tarde.
- El consumo de alcohol y drogas aumenta los efectos de la intoxicación por monóxido de carbono.

El monóxido de carbono es especialmente tóxico para madres e hijos durante el embarazo, así como para los bebés, los ancianos, los fumadores y las personas con problemas de la sangre y el sistema circulatorio, como anemia o enfermedades cardíacas.

## APROBACIÓN DE SEGURIDAD

De acuerdo con los procedimientos y las especificaciones de Conformité Européenne (CE), las barbacoas de gas Pit Boss® Grills han superado las pruebas de conformidad con las normas y directivas que cumplen los requisitos de seguridad, salud y protección medioambiental de la UE (Unión Europea) y el Espacio Económico Europeo (EEE).



	CALOR ENTRANTE	NÚMERO DE QUEMADORES		TIPO DE QUEMADOR	TAMAÑO DEL INYECTOR	GAS/PRESIÓN	PAÍS DE USO
		QUEMADOR RECTO	QUEMADOR EN FORMA DE P				
PB2BGD2	7.63 KW G30 – 555 g/h G31 – 545 g/h	1	1	QUEMADOR RECTO	0.8 mm	G30 a 28-30 mbar G31 a 37 mbar Mezcla de G30/G31 a 30 mbar	<b>I3+ (28-30/37) :</b> BE, CH, CY, CZ, ES, FR, GB, GR, IE, IT, LT, LU, LV, PT, SK, SI  <b>I3B/P (30) :</b> BE, CY, DK, EE, FR, GB, HU, IT, LT, NL, NO, SE, SI, SK, RO, HR, TR, BG, IS, LU, MT, FI  <b>I3B/P (37) :</b> PL  <b>I3B/P (50) :</b> AT, DE, SK, CH
PB3BGD2	10.5 KW G30 – 768 g/h G31 – 755 g/h	2	1		0.75 mm	Mezcla de G30/G31 a 37 mbar	
					0.72 mm	Mezcla de G30/G31 a 50 mbar	
PB4BGD2	13.49 KW G30 – 982 g/h G31 – 964 g/h	3	1	QUEMADOR EN FORMA DE P	1.02 mm	G30 a 28-30 mbar G31 a 37 mbar Mezcla de G30/G31 a 30 mbar	
					0.97 mm	Mezcla de G30/G31 a 37 mbar	
PB5BGD2	14.65 KW G30 – 1066 g/h G31 – 1047 g/h	5	0		0.93 mm	Mezcla de G30/G31 a 50 mbar	



#### AVISO DE COPYRIGHT

Copyright 2021. Todos los derechos reservados. Ninguna parte de este manual podrá copiarse, transmitirse, transcribirse, almacenarse en un sistema de recuperación, de ninguna forma ni por cualquier medio sin la autorización expresa por escrito de,

#### DANSONS EUROPE

11 Rue Galvani Paris, France 75017

#### DANSONS AMÉRICA DEL NORTE

3411 North 5th Avenue, Suite 500, Phoenix, AZ, EE. UU. 85013

#### ATENCIÓN AL CLIENTE

[www.pitboss-grills.com](http://www.pitboss-grills.com)

## ÍNDICE

Información de seguridad .....	42
Conexión a una fuente de gas	
Requisitos del tanque de gas.....	46
Instalación de un conector de gas para el colector.....	46
Cómo conectar un tanque de gas .....	47
Preparación para el uso - prueba de hermeticidad.....	48
Desconexión del tanque de gas .....	48
Instrucciones de operación	49
Entorno de la plancha .....	49
Primer uso: curado de la parrilla .....	50
Procedimiento de encendido .....	50
Procedimiento de encendido manual .....	51
Apagar su plancha .....	51
Levantando la plancha del carro .....	52
Uso del soporte para bolsa de basura.....	53
Cuidado y mantenimiento .....	54
Consejos y técnicas .....	55
Resolución de problemas .....	56
Piezas de repuesto.....	57
Garantía .....	61

ES

ESPAÑOL

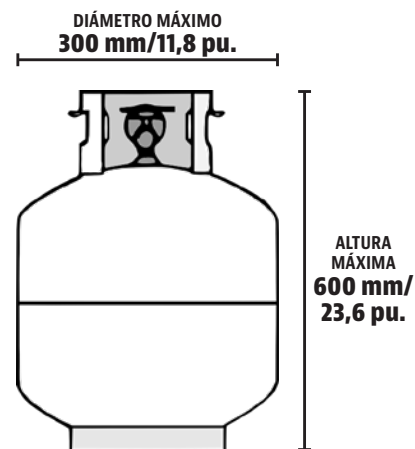
# CONEXIÓN A UNA FUENTE DE GAS

## REQUISITOS DEL TANQUE DE GAS

Para que funcione, necesitará un tanque de gas propano líquido ("LP") G30/G31 estándar para barbacoas relleno con precisión con roscas reguladoras externas. Utilice un tubo flexible estándar con una longitud inferior a 1,5 m (59 pulgadas). El tubo debe ser fácilmente visible en toda su longitud para su inspección después de la instalación.

El diámetro máximo y la altura máxima del tanque es de 300 mm (11,8 pulgadas) y 600 mm (23,6 pulgadas), como se muestra en la ilustración.

**PRECAUCIÓN:** Debe tener la bombona y el regulador adecuados, cuya norma aplicable es la EN16129, para que la barbacoa funcione de forma segura y eficiente. Usar un regulador incorrecto o defectuoso es peligroso e invalidará cualquier garantía. Es importante inspeccionar el tubo en toda su longitud. Si es evidente que el tubo está desgastado en exceso, o bien presenta algún corte, debe sustituirlo antes de usar el aparato.



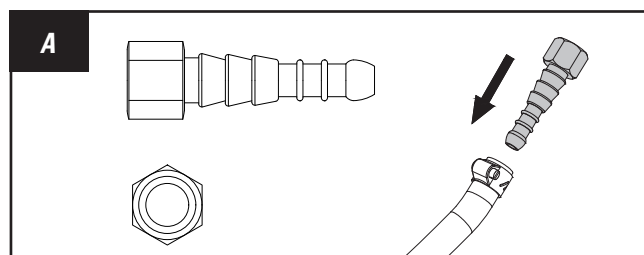
## INSTALACIÓN DE UN CONECTOR DE GAS PARA EL COLECTOR

En función de la ubicación y el país de compra, no todos los distribuidores tienen a la venta la plancha con un regulador incluido. Se incluye un kit de transición del colector en caso de que el regulador de gas no venga montado previamente. Elija el conector del kit de transición del colector incluido que corresponda con el colector de gas y el tubo del regulador. Para facilitar la instalación del conector de gas, levante y retire la plancha del carro o desenchúfela. Colóquela boca abajo sobre un cartón para evitar arañazos o que se dañe.

- **CONECTOR A (CÓNICO)**

Introduzca el extremo cónico del conector en el sistema de tubos del regulador y luego asegúrelo con la abrazadera de la manguera.

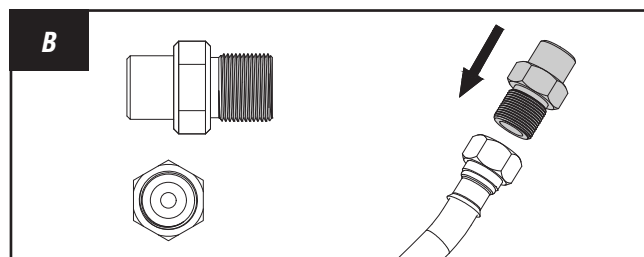
Ilustración de la nota A.



- **CONECTOR B (ROSCADO)**

Introduzca el conector de rosca macho en el extremo del conector hembra del tubo regulador. Gírelo hasta que quede bien apretado.

Ilustración de la nota B.



Pase al siguiente paso para instalar el tanque de gas. Retire la plancha del carro.

## CÓMO CONECTAR UN TANQUE DE GAS

**IMPORTANTE:** Si se necesita enchufar el colector mediante un conector, siga las instrucciones de instalación del conector antes de conectar la unidad a un tanque de gas.

Antes de conectarlo, compruebe que no haya residuos en los capuchones del tanque de gas, de la válvula reguladora o del quemador, ni en los orificios del quemador.

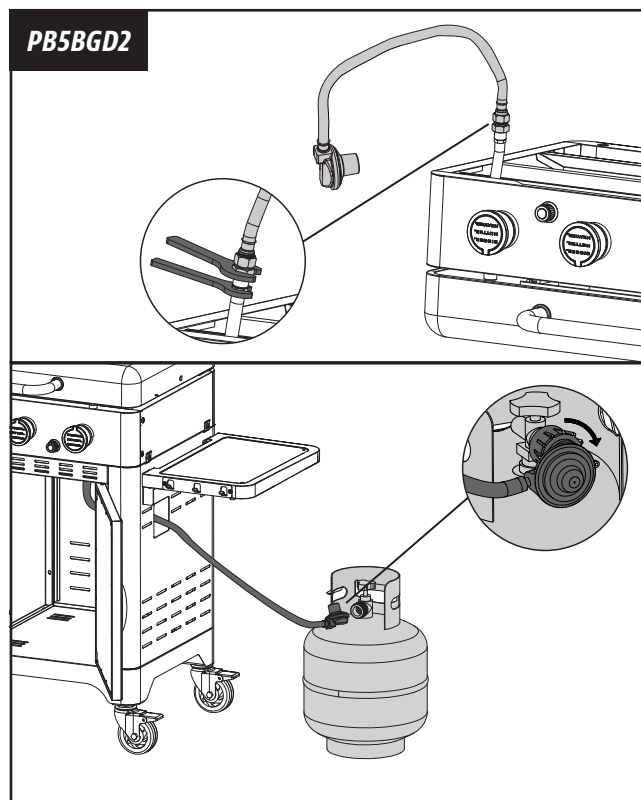
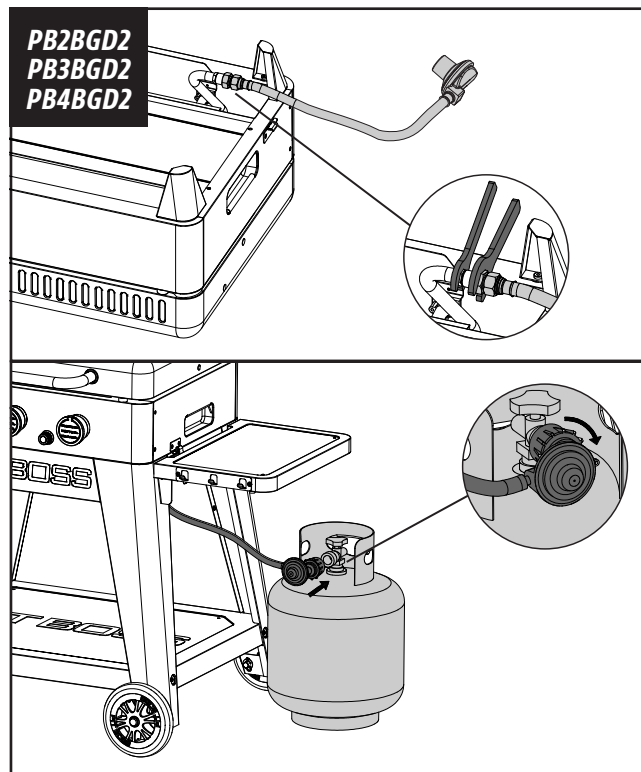
1. Si ya hay un regulador instalado, continúe con el paso siguiente.

Si se ha instalado un conector del kit de transición del colector, retire la plancha del carro a la hora de instalar el regulador. Conecte el conducto del tubo del regulador al colector de la plancha apretándolo bien con una llave inglesa. Vuelva a colocar la plancha en el carro una vez que el regulador y el tubo del regulador estén instalados. Asegúrese de que el tubo del regulador no esté torcido o pinzado de ningún modo cuando la plancha se coloque de nuevo en el carro.

2. En la plancha con armario, tire del regulador y el tubo del regulador por la abertura en el panel derecho del carro.
3. Sitúe el tanque de gas junto al carro en el lado derecho. Asegúrese de que la válvula del tanque de gas esté en posición CERRADA. Es importante comprobar que el tanque de gas esté totalmente en posición vertical, ya que no es seguro manipular la plancha si el tanque de gas no está correctamente nivelado o sobre una superficie estable.
4. Asegúrese de que las perillas de control de la plancha estén desconectadas, para ello, gire la perilla en el sentido de las agujas del reloj hasta la posición "O" OFF (apagado).
5. Retire las tapas protectoras de la abertura de la válvula del regulador y la parte superior del tanque de gas. Guarde las tapas.
6. Inserte la válvula del tanque de gas en la abertura roscada de la válvula del regulador. Gire la tuerca de extensión rápida en el sentido de las agujas del reloj y asegúrela bien. Apriétela solo con la mano.
7. Tras esto, el tanque de gas ya estará instalado. Realice una prueba de fugas.

**ADVERTENCIA:** Cierre el tanque si huele a gas. Vuelva a instalar el tanque de gas para asegurarse de que el tubo está bien conectado. Realice una prueba de fugas.

**NOTA:** El flujo normal de gas que discurre por el regulador y el conjunto de la manguera puede generar un ruido parecido a un zumbido. Si oye un ruido muy bajo, es perfectamente normal dado que no afecta al funcionamiento de la plancha. Si el zumbido es elevado y muy ruidoso, es posible que deba purgar el aire de la tubería de gas o reajustar el mecanismo limitador de flujo de gas del regulador. Esta operación de purga se debe realizar cada vez que se conecta un nuevo tanque de gas propano a la plancha.



## PREPARACIÓN PARA EL USO – PRUEBA DE HERMETICIDAD

Se realiza una prueba de hermeticidad para determinar la integridad de un sello. Antes de usar su asador a gas, haga una prueba de hermeticidad en la conexión entre el regulador y el cilindro de gas para reducir el riesgo de lesiones o muerte debido a un incendio o una explosión. Debe realizar una prueba de hermeticidad por lo menos una vez por estación del año, y además:

- antes de encender su asador por primera vez.
- cada vez que cambie el cilindro de gas,
- después de trasladarlo, sobre todo en caminos de terracería o en mal estado,
- después de un período prolongado de almacenamiento o falta de uso.

### CÓMO HACER UNA PRUEBA DE HERMETICIDAD

#### Materiales requeridos:

- 1 x Tazón (*vacío, limpio*)
- 1 x Brocha de pintura (*limpia*)
- Detergente para vajilla
- Agua



Esté atento a las burbujas

#### Procedimiento:

1. Coloque el asador en un lugar ventilado. Asegúrese de que el asador está frío al tacto y no esté encendido. Verifique que la válvula del regulador esté en la posición de APAGADO y que el cilindro de gas está bien sujeto al regulador.

**IMPORTANTE: Asegúrese de que no haya fuego ni personas fumando cerca.**

2. Mezcle una solución con una parte de agua y una parte de detergente para vajilla en un tazón. La solución formará burbujas, ya que estará concentrada.
3. Use una brocha para aplicar la solución sobre el sello que está entre el regulador y el cilindro de gas. Inspeccione visualmente si aparece una serie de burbujas de un defecto u orificio en el sello.

**NOTA: Si aparece una fuga, repita el procedimiento de instalación del cilindro de gas, pero sin apretar demasiado. Apriete solamente con la mano. Repita la prueba de hermeticidad después de volver a instalar para asegurarse de que el sello es seguro.**

**IMPORTANTE: No use el asador a gas si detecta una fuga de gas que no pueda corregir con el procedimiento de prueba de hermeticidad. Llame al Departamento de Bomberos de su localidad o a Servicio al Cliente para preguntar otras maneras de hacer pruebas para garantizar las precauciones apropiadas.**

## DESCONEXIÓN DEL TANQUE DE GAS

1. Gire todas las perillas de control a la posición "O" (APAGADO) en la plancha. Asegúrese de que la válvula reguladora del cilindro de gas esté completamente cerrada. Para eso, gire la perilla hacia la posición CLOSED (CERRADO).
2. Gire la tuerca de acoplamiento rápido hacia la derecha (con la mano) para desconectarla de la abertura de la válvula reguladora. Reemplace las tapas protectoras en la abertura de la válvula reguladora y la parte superior del cilindro de gas para su almacenamiento (si no está vacío).

**NOTA: si guarda la barbacoa en el interior, deje fuera el tanque de gas.**

**ADVERTENCIA: no pliegue ni transporte la barbacoa con el tanque de gas conectado. El tanque puede aflojar la válvula y producir una fuga de gas, y posiblemente dé lugar a una explosión, incendio o lesión corporal grave. Desconecte el tanque de gas antes de transportarlo o almacenarlo.**

# INSTRUCCIONES DE OPERACIÓN

## ENTORNO DE LA PLANCHA

### 1. *DÓNDE INSTALAR LA PLANCHA*

Como en todos los aparatos de uso exterior, las condiciones meteorológicas juegan un papel importante en el funcionamiento de la barbacoa y el tiempo de cocción necesario para que las comidas salgan perfectas. Todas las unidades Pit Boss® Grills deben guardar una distancia mínima de 1,270 mm (50 pulgadas) con los recipientes de combustible y esta distancia debe mantenerse mientras la barbacoa esté en uso. Este aparato no debe colocarse debajo de un techo o voladizo combustible. Mantenga la barbacoa en un área sin materiales combustibles, gasolina y otros vapores y líquidos inflamables.

### 2. *COCINA EN CLIMAS FRÍOS*

As it becomes cooler outside, that does not mean that grilling season is over! The crisp cool air and heavenly aroma of grilled foods will help cure your winter blues. Follow these suggestions on how to enjoy your grill throughout the cooler months:

- Organícese – Prepare todo lo que necesitará en la cocina antes de salir al exterior. Durante el invierno, mueva su asador a un área que esté a cubierto del viento y el frío directo. Revise las ordenanzas locales sobre la proximidad del asador a su hogar y/o a otras estructuras. Ponga todo lo que necesita en una bandeja, ¡abriguese bien y hágalo!
- Para ayudarle a tener el control de la temperatura exterior, coloque un termómetro para exteriores cerca del área en la que cocina. Lleve una bitácora o diario de lo que cocinó, la temperatura exterior y el tiempo de cocido. Esto le ayudará en el futuro para determinar qué cocinar y cuánto se tardará.
- Tenga un hornillo o una cubierta listos para mantener su comida caliente mientras la lleva al interior.

### 3. *COCINA EN CLIMAS CALIENTES*

Conforme esté más caliente en el exterior, el tiempo de cocción se reducirá. Aproveche estas sugerencias para disfrutar de su asador durante los meses cálidos:

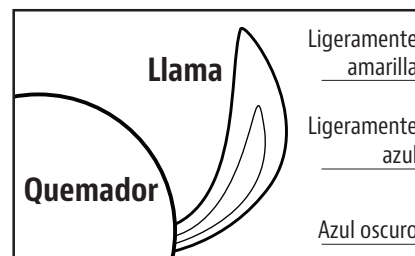
- Ajuste sus temperaturas de cocción a la baja. Esto ayuda a evitar las llamaradas indeseables.
- Use un termómetro de carnes para determinar la temperatura interna de sus comidas. Esto ayuda a evitar que su carne se cocine demasiado y se seque.
- Puede mantener las comidas calientes envolviéndolas en papel aluminio y colocándolas en un recipiente con aislamiento térmico. Coloque bolas de papel periódico alrededor del papel aluminio y esto mantendrá la comida caliente de 3 a 4 horas.

## PRIMER USO - «QUEMADO» DEL PLANCHA

Antes de usar su plancha por primera vez con alimentos, es importante hacer un "quemado" completo. Encienda la plancha y opere por un mínimo de 15 minutos en ALTO para quemar la unidad. Esto "limpiará con calor" los componentes internos, disipará los olores y eliminará cualquier materia extraña.

### PROCEDIMIENTO DE ENCENDIDO

1. Abra la tapa durante el encendido.
2. Coloque todas las perillas de control en la posición "0".
3. Abra la válvula del cilindro/gas según las instrucciones de uso que figuran en el tanque.
4. Presione y gire la perilla de control de la combustión hacia la izquierda hasta "🔥 (posición de encendido)".
5. Presione el botón de encendido hasta que el quemador se encienda.
6. Si no se enciende en 5 segundos, gire la válvula a la posición "0", espere 5 minutos y repita la instrucción de encendido. Cuando se encienda, observe la llama del quemador. Asegúrese de que todos los puertos del quemador estén encendidos y que la altura de la llama coincida con la imagen que se muestra.
7. Si lo indicado en los puntos anteriores no funcionan, siga el **Procedimiento de encendido manual**.



**Si el quemador se apaga durante el funcionamiento, gire las perillas de control hasta la posición "0" (APAGADO). Espere cinco minutos antes de intentar volver a encender para permitir que se disipe el gas acumulado.**

### PROCEDIMIENTO PARA FALLAS DEL ENCEDEDOR

**Si por alguna razón su encendedor no enciende después de tres o cuatro intentos, verifique los siguientes pasos, o encienda su asador con el método manual.**

1. Asegúrese de que la perilla del regulador esté en la posición de APAGADO. Deje que el gas acumulado se disipe.
2. Después de cinco minutos, revise lo siguiente:
  - Confirme visualmente que el encendedor está funcionando, oprimiendo el botón del encendedor y observando si hay chispas en la punta del encendedor. De no observar chispas, ajuste la distancia entre la punta del encendedor (electrodo) y el quemador a 4.5 mm (3/16 pulg).
  - Confirme visualmente que el tubo del quemador y los orificios de entrada no estén obstruidos. En caso de que estén obstruidos, siga las instrucciones de **Cuidado y mantenimiento**.
3. Si los puntos anteriores no funcionan, siga las instrucciones de la sección **Solución de problemas**.



## PROCEDIMIENTO DE ENCENDIDO MANUAL

1. Abra la tapa durante el encendido.
2. Coloque todas las perillas de control en la posición "0".
3. Abra la válvula del cilindro/gas según las instrucciones de uso que figuran en el tanque.
4. Con cuidado y rapidez, prenda una cerilla o use un encendedor de cuello largo y aplique la llama al quemador. Encienda el quemador desde debajo de la placa caliente. Acerque la cerilla encendida por un lado del quemador.

**CAUTION: Do not attempt to light another area of the burner. This can cause injury.**

5. Presione y gire la perilla de control del quemador hacia la izquierda hasta "🔥 (posición de encendido)"; una vez que se encienda el quemador sostenga la perilla durante 10 segundos. Escuchará el sonido de "chasquido" de la chispa hasta después de soltar la perilla.

**NOTA: No use alcohol, líquido para encendedores ni queroseno para encender o reavivar el fuego de la plancha.**

6. Si el quemador no se enciende en 5 segundos, gire la perilla de control del quemador hasta la posición "0", espere 5 minutos y repita las instrucciones de encendido. Cuando se encienda, observe la llama del quemador. Asegúrese de que todos los puertos del quemador estén encendidos y que la altura de la llama coincida con la imagen mostrada anteriormente.

**NOTA: Cada quemador se enciende de forma independiente; repita los mismos pasos para el resto de los quemadores.**

**ADVERTENCIA: Nunca se incline sobre el área de cocción mientras enciende la parrilla de gas. Cuando encienda la parrilla con una cerilla, mantenga la cara y el cuerpo a una distancia segura (por lo menos a 457 mm [18 pulgadas]) de la superficie de la rejilla de cocina.**

7. Si los puntos mencionados anteriormente no funcionan, consulte la ***solución de problemas***.

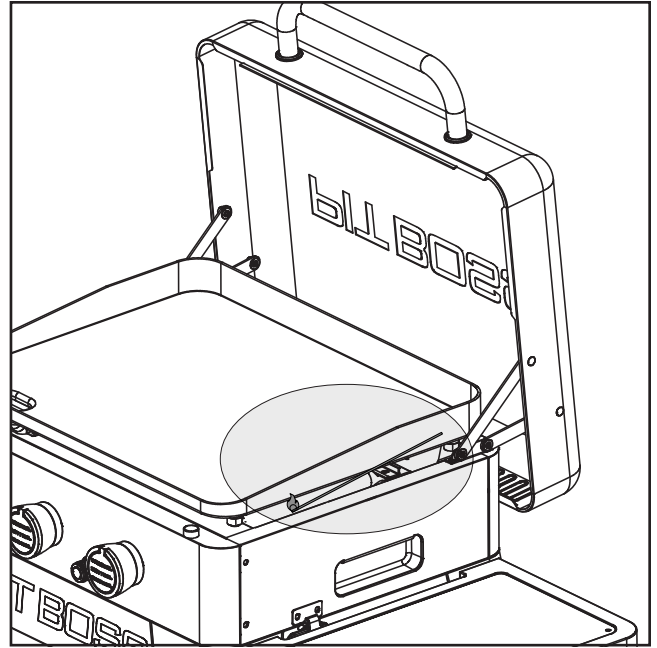
## APAGAR SU PLANCHA

1. Cuando termine de cocinar, gire la válvula del cilindro de gas a la posición CLOSED (CERRADO) y deje salir la perilla del regulador. Esta característica de seguridad bloquea la perilla del regulador para garantizar que el gas deje de fluir.
2. Gire todas las perillas de control a la posición "0".

**NOTA: es normal oír un sonido "puf" cuando se queman los restos del gas licuado.**

3. Desconecte el tanque de gas licuado de acuerdo con la sección ***desconectar el tanque de gas***.

**ADVERTENCIA: deje enfriar la barbacoa por completo y retire el tanque de gas antes de mover la unidad, de viajar con ella o de guardarla.**

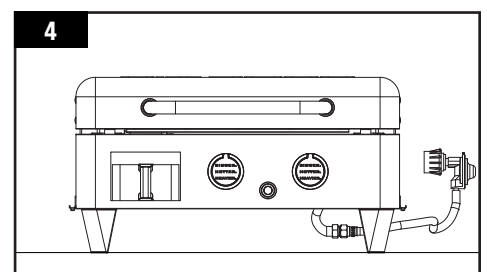
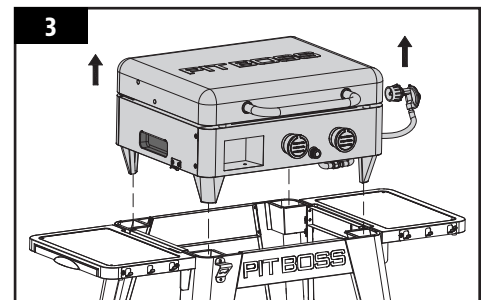
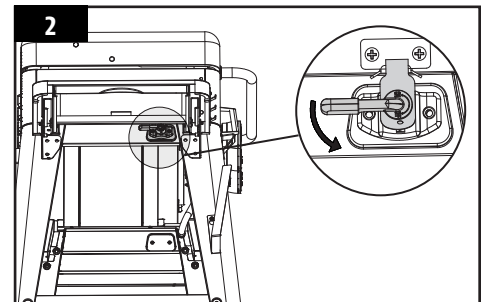
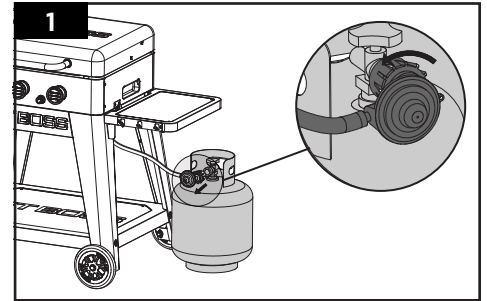


# LEVANTANDO LA PLANCHA DEL CARRO

Si tiene los modelos de plancha PB2BPGG, PB3BPGG o PB4BPGG, estos se pueden retirar del carro fácilmente y con rapidez para sus desplazamientos o viajes. Siga las instrucciones de montaje en el orden inverso o consulte el siguiente resumen:

**IMPORTANTE:** Siempre asegúrese de que la plancha esté completamente fría, se haya desconectado del suministro de gas y se haya retirado el recipiente para la grasa.

1. Desconecte la unidad del suministro de gas. Para separar el conjunto del regulador de presión de la válvula del cilindro, gire la tuerca de acoplamiento rápido hacia la izquierda.
2. Gire los pestillos (uno en cada lado) para liberar la caja de fuego del carro.
3. Con la ayuda de dos personas, levante con cuidado la plancha del carro mediante las ranuras de cada lado. Tenga cuidado especialmente con el regulador y la manguera cuando la levante.
4. Coloque la caja de fuego en el suelo, o en el lugar que desee, de inmediato para evitar lesionarse o dañar la unidad.

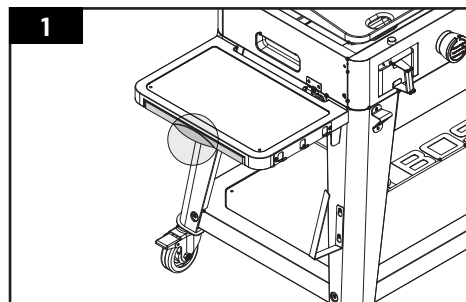


## USO DEL SOPORTE PARA BOLSA DE BASURA

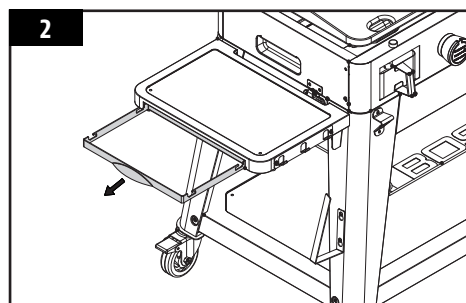
La recogida de desechos ahora es más fácil que nunca con el soporte para bolsa de basura. Ubicado debajo del estante lateral izquierdo, este marco de acero inoxidable es fácil de limpiar y se le engancha una bolsa de plástico estándar de tamaño normal, habitualmente de entre 10 y 20 litros (de 2,5 a 5 galones) de volumen. Además, el marco está diseñado para sujetar la mayoría de bolsas de basura normales (con o sin asas) de hasta 60 litros (16 galones) de volumen.

**IMPORTANTE: Fíjese en cuánto peso pone en la bolsa del soporte para bolsa de basura. Cambie la bolsa con frecuencia para evitar dañar la integridad de la estructura y los componentes del soporte para bolsa de basura.**

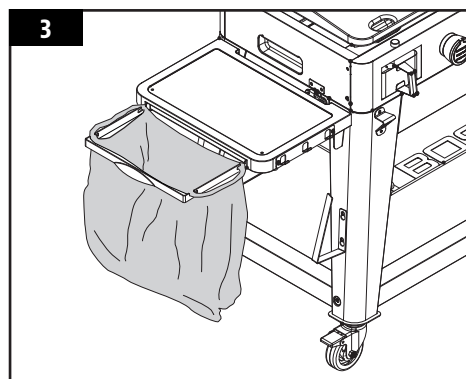
1. Busque el agarre del soporte para bolsa de basura en el estante lateral izquierdo.



2. Tire de él y extraiga el soporte para bolsa de basura para que se vea la estructura del marco.



3. Ponga una bolsa de plástico de supermercado o de basura normal en el soporte para bolsa de basura. Enrolle la bolsa de la compra con las asas a la estructura del marco o haga lo mismo con la bolsa de basura a los tres lados del marco para que no se caiga.



# CUIDADO Y MANTENIMIENTO

## REVISIÓN DEL NIVEL DE GAS

Para revisar la cantidad de combustible en el cilindro de gas LP, el asador debe estar en operación. Coloque su mano en la parte superior del tanque y deslícela lentamente hacia abajo hasta que el tanque se sienta frío al tacto. Esto indicará la cantidad aproximada de gas en su tanque; si está  $\frac{3}{4}$  vacío, reemplácelo con un tanque lleno

**IMPORTANTE: No use briquetas de carbón ni otro material inflamable en su asador. El uso de estos materiales anulará su garantía y podría causar un incendio, explosión o lesiones corporales.**

## FRECUENCIA DE LIMPIEZA

Todas las unidades Pit Boss® Grills le darán muchos años de delicioso servicio con un mínimo de limpieza. Siga estas indicaciones de mantenimiento y limpieza para dar servicio a su asador:

### 1. COMPONENTES DEL QUEMADOR

- Limpie el quemador cada vez que se detecte una acumulación importante, para asegurarse de que no haya indicios de obstrucción (residuos, insectos) en el tubo del quemador ni en los ojos de buey del quemador. Tras períodos de almacenamiento, las arañas o los insectos pequeños pueden construir nidos, telarañas y poner huevos en el tubo del quemador, obstruyendo el flujo de gas al quemador. Un tubo obstruido puede provocar un incendio debajo del aparato. Si almacena la parrilla o antes de un período prolongado sin uso, retire el quemador y envuélvalo con papel de aluminio para reducir el riesgo de que los insectos ingresen en los agujeros del quemador.
- El quemador se ha preestablecido para un rendimiento óptimo de la llama. Una llama azul, posiblemente con una pequeña punta amarilla, es el resultado de la mezcla óptima de aire y gas. Si las llamas son excesivamente amarillas, anaranjadas o irregulares, limpie los depósitos de aceite y alimentos de la superficie del quemador y de las aberturas del quemador para aumentar el flujo de aire.

### 2. COMPONENTES DE COCINA

- La placa de cocción de la plancha tiene revestimiento cerámico. Se recomienda usar utensilios de madera, silicona o nylon, ya que estos materiales reducirán el desgaste de la superficie de cocina.
- La unidad viene preparada de fábrica, pero es importante limpiar y curar la placa de cocción después de cada uso para evitar que se oxide, prolongar la vida útil de la plancha y crear una superficie de cocción antiadherente. El curado de la plancha es un proceso continuo que se debe repetir durante la vida útil de la plancha para garantizar la mejor experiencia de cocción y una vida útil más prolongada.
  1. Limpie la placa de cocción después de cada uso con una espátula o rasqueta para eliminar todos los alimentos y restos.
  2. Aplique una capa uniforme de aceite de cocina en la superficie de cocción. Los aceites vegetales, de oliva, de cacahuate, de coco y de sésamo son adecuados para curar la plancha.
  3. Deje enfriar en un lugar fresco y seco.

### 3. EXTERIOR DE LA PLANCHA

- Revise su recipiente de grasa a menudo y límpielo si es necesario. Tenga en cuenta el tipo de alimentos que se cocinan.
- ¡Use una cubierta de asador para darle una mayor protección a su asador! Una cubierta es la mejor protección contra el tiempo y los contaminantes externos. Cuando no lo use, o para almacenarlo por períodos prolongados, mantenga el asador bajo una cubierta en una cochera o cobertizo, después de quitar el cilindro de gas (que debe almacenarse en exteriores).

**TABLA DE FRECUENCIA DE LIMPIEZA (USO NORMAL)**

ARTÍCULO	FRECUENCIA DE LIMPIEZA	MÉTODO DE LIMPIEZA
Superficie de cocción	Después de cada uso	Queme el exceso, el estropajo y el agua jabonosa, sazone con aceite de cocina
Recipiente de grasa	Después de cada uso	Vaciar, fibra de limpieza y agua jabonosa
Tubo del quemador, orificios de entrada	Cada 5-6 usos	Sacudir, fibra de limpieza y agua jabonosa
Quemadores	Cada 5-6 usos	Fibra de limpieza y agua jabonosa
Carro	Según sea necesario	Paño no abrasivo y agua con jabón

## CONSEJOS Y TÉCNICAS

Siga estas prácticas sugerencias y técnicas que nos han hecho llegar propietarios de productos Pit Boss®, nuestros empleados y clientes como usted, para familiarizarse con la barbacoa:

### 1. SEGURIDAD ALIMENTARIA

- Mantenga limpios todos los elementos de cocina y la zona de cocina. Para la carne cocinada use fuentes y utensilios diferentes a los que haya usado para preparar o transportar la carne cruda a la barbacoa. De esa manera evitar la contaminación cruzada de bacterias. Use un utensilio distinto para cada adobo o salsa.
- Mantenga calientes los alimentos calientes (más de 60 °C/140 °F) y fríos los alimentos fríos (menos de 3 °C/37 °F). Los alimentos cocinados no deben permanecer fuera a altas temperaturas durante más de una hora. No deje los alimentos calientes fuera de la nevera durante más de dos horas.
- No guarde nunca el resto de un adobo para usar en otra ocasión. Si lo va a servir con la carne, asegúrese de que hierva antes de servirlo.
- Descongele y macere las carnes mediante refrigeración. No descongele carne a temperatura ambiente o en una encimera. Las bacterias pueden aumentar y multiplicarse rápidamente en los alimentos calientes y húmedos. Lávese bien las manos con agua jabonosa después de comenzar a preparar la comida y después de manipular carne, pescado y aves crudas.

### 2. PREPARACIÓN PARA COCINAR

- Prepárese, o dicho de otro modo **manos a la obra**. Con esto nos referimos a estar preparados para la receta de cocina y disponer del combustible, los accesorios, utensilios y todos los ingredientes que necesite cerca de la barbacoa antes de empezar a cocinar. También conviene leer la receta completa, de principio a fin, antes de encender la barbacoa.
- Una alfombrilla para barbacoas también es muy práctica. Debido a los accidentes que se producen al cocinar alimentos y a las salpicaduras, una esterilla para barbacoas protegerá cualquier suelo, patio o plataforma de piedra contra posibles manchas de grasa o derramamientos accidentales.

### 3. CONSEJOS Y TÉCNICAS PARA COCINAR EN LA BARBACOA

- Use siempre un termómetro para carnes para conocer la temperatura interna de los alimentos que está cocinando. Se recomienda colocar los alimentos cocinados en una fuente precalentada para mantenerlos calientes. A las carnes rojas, como chuletones y asados, les va bien dejarlos reposar varios minutos antes de servir. Permite que los jugos que el calor hizo salir a la superficie vuelvan al centro de la carne y les añadan sabor.
- Las salsas con azúcar es mejor aplicarlas al final de la cocción para impedir fuegos y llamaradas inesperadas.
- Use un juego de tenazas de mango largo para voltear la carne y una espátula para voltear hamburguesas y pescado. Con un utensilio perforador, como un tenedor, puede pinchar la carne para que salga su jugo.

# RESOLUCIÓN DE PROBLEMAS

Una limpieza y mantenimiento adecuados impedirán que surjan los problemas de funcionamiento más comunes. Cuando la barbacoa no funcione bien o se use con menor frecuencia, las siguientes sugerencias de solución de problemas pueden resultar útiles. Consulte las preguntas frecuentes en [www.pitboss-grills.com](http://www.pitboss-grills.com). Si necesita ayuda, también puede ponerse en contacto con su distribuidor local o con el servicio de atención al cliente.

**ADVERTENCIA: Asegúrese siempre de que la parrilla se ha enfriado por completo para evitar lesiones.**

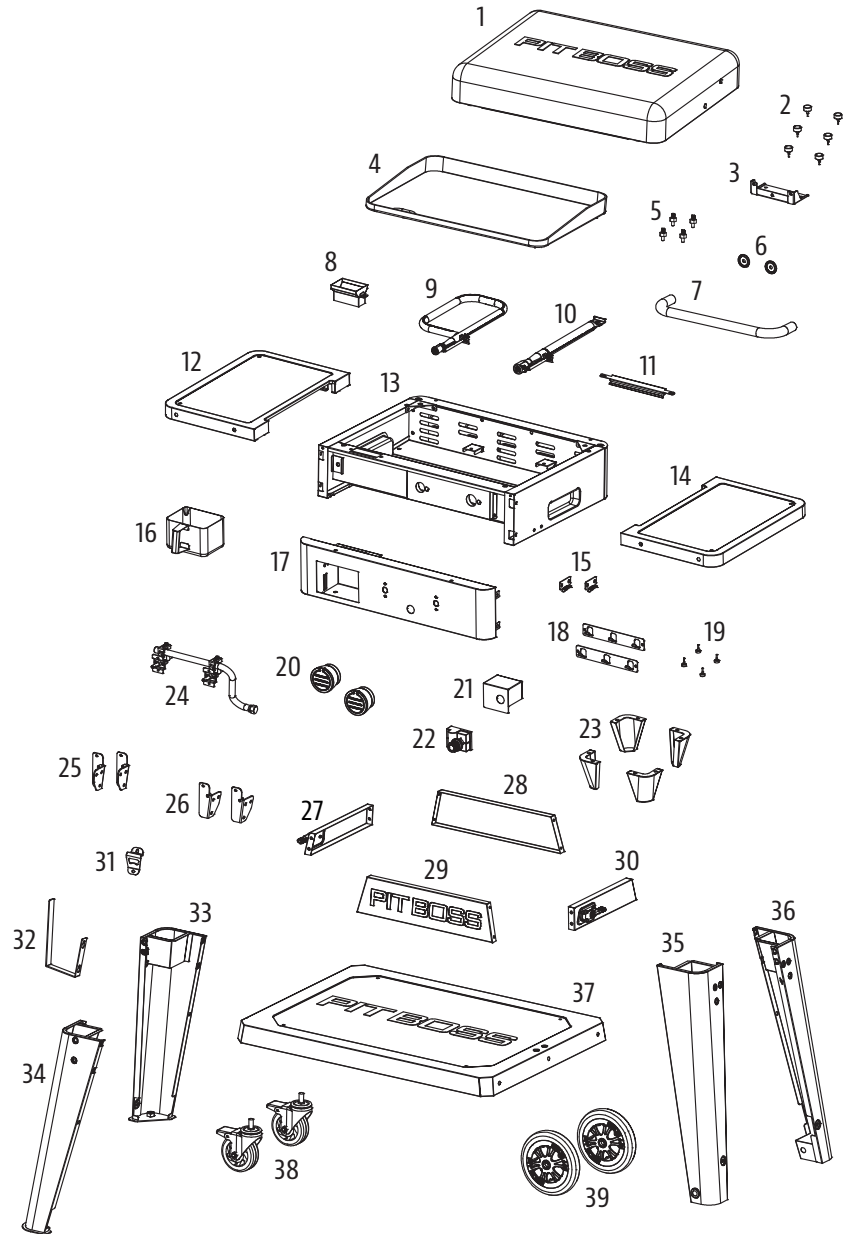
PROBLEMA	CAUSA	SOLUCIÓN
El quemador no se enciende	El cable de ignición está roto	Póngase en contacto con el servicio de atención al cliente para solicitar asistencia o recambios.
	El electrodo no produce una chispa de ignición	Ajuste el electrodo. Póngase en contacto con el servicio de atención al cliente para solicitar asistencia o recambios.
	No hay suministro de gas	Compruebe la válvula del regulador. Compruebe si hay fugas en la conexión.
Fuego por grasa/llamaradas frecuentes	Asar carnes grasas	Ase las carnes grasas con la superficie de cocción fría y las perillas en posición LOW (temperatura baja).
	Temperatura de cocción	Pruebe a cocinar a temperatura más baja. La grasa tiene un punto de inflamación. Mantenga la temperatura por debajo de los 176 °C/350 °F cuando cocine alimentos muy grasos.
	Agua arrojada sobre llamas de gas	No arroje agua sobre las llamas de gas.
El quemador se apaga	No sale gas	Verifique la conexión del gas y asegúrese de que está abierta. Sustituya el tanque de gas si está vacío.
	Ráfagas de viento o viento fuerte	Cambie de lugar o gire la barbacoa para que el viento no le dé de frente o aumente la intensidad de la llama.
Baja temperatura en la posición HIGH (temperatura alta)	Puertos bloqueados	Retire las obstrucciones que pueda haber en los puertos.
	Tanque de gas vacío	Rellene el tanque de gas.
Fuga de gas	Instalación incorrecta	Gire la perilla del regulador a la posición OFF (apagado) y asegúrese de que sale hacia fuera. Retire el tanque de gas. Vuelva a colocarlo y apriételo. Realice una prueba de fugas para asegurarse de que está correctamente sellado. Sustituya el tanque de gas si está dañado.
	Fallo del sellado	El tanque de gas está corroído, oxidado o se ha manejado incorrectamente. Sustituya el tanque de gas.
	Fallo del regulador	Es necesario sustituir el regulador. Póngase en contacto con el servicio de atención al cliente para solicitar el recambio.
La llama del quemador es amarilla o naranja	Circulación de aire insuficiente	Compruebe si no hay telarañas u otras obstrucciones en el tubo o en los puertos del quemador. Siga las instrucciones de <b>cuidado y mantenimiento</b> para limpiar el tubo del quemador.
	Obstrucción del quemador	
	El recipiente para la grasa está lleno, se derrama	Vacíe el recipiente para la grasa y vuelva a colocarlo. Siga las instrucciones de <b>cuidado y mantenimiento</b> .
	La válvula del regulador está apagada	Compruebe la conexión de la válvula del regulador al tanque de gas. Retírelo y, luego, vuelva a colocarlo. Realice una prueba de fugas.
	El quemador está sucio	Gire la perilla del regulador a la posición HIGH (temperatura alta) durante cinco minutos y cure la unidad. Siga las instrucciones de <b>cuidado y mantenimiento</b> .

# PIEZAS DE REPUESTO

## PB2BGD2

N.º	Descripción
1	Tapa (x1)
2	Goma de soporte de la tapa (x6)
3	Soporte de la tapa (x1)
4	Placa de cocción (x1)
5	Tornillos de la pata de la placa de cocción (x4)
6	Bisel de la manija de la tapa (x2)
7	Manija de la tapa (x1)
8	Depósito de salida de grasa (x1)
9	Quemador en forma de P (x1)
10	Quemador derecho (x1)
11	Recambio ajustable de quemador (x1)
12	Bandeja lateral: izquierda (x1)
13	Conjunto de caja de fuego (x1)
14	Bandeja lateral: derecha (x1)
15	Gancho de cierre (x2)
16	Recipiente para la grasa (x1)
17	Panel de control de la caja de fuego (x1)
18	Panel de ganchos de la bandeja lateral (x2)
19	Goma de la bandeja lateral (x4)
20	Perilla de control (x2)
21	Protector de calor del encendedor (x1)
22	Encendedor (x1)
23	Patas de la caja de fuego (x4)
24	Conjunto de válvulas (x1)
25	Soporte de la bandeja lateral: izquierdo (x2)
26	Soporte de la bandeja lateral: derecho (x2)
27	Panel lateral del carro: izquierdo (x1)
28	Panel trasero del carro (x1)
29	Panel delantero del carro (x1)
30	Panel lateral del carro: derecho (x1)
31	Abridor de botellas (x1)
32	Gancho para papel de cocina (x1)
33	Pata de apoyo para la rueda giratoria trasera (x1)
34	Pata de apoyo para la rueda giratoria delantera (x1)
35	Pata de apoyo para la rueda delantera (x1)
36	Pata de apoyo para la rueda trasera (x1)
37	Bandeja inferior (x1)
38	Rueda giratoria de bloqueo (x2)
39	Rueda (x2)

N.º	Descripción
A	Tornillo (x37)
B	Arandela (x16)
C	Arandelas de seguridad (x16)
D	Tornillo (x4)
E	Chavetas de rueda (x2)
F	Arandelas de eje de rueda (x2)
G	Clavijas de eje de rueda (x2)
H	Batería (x1)



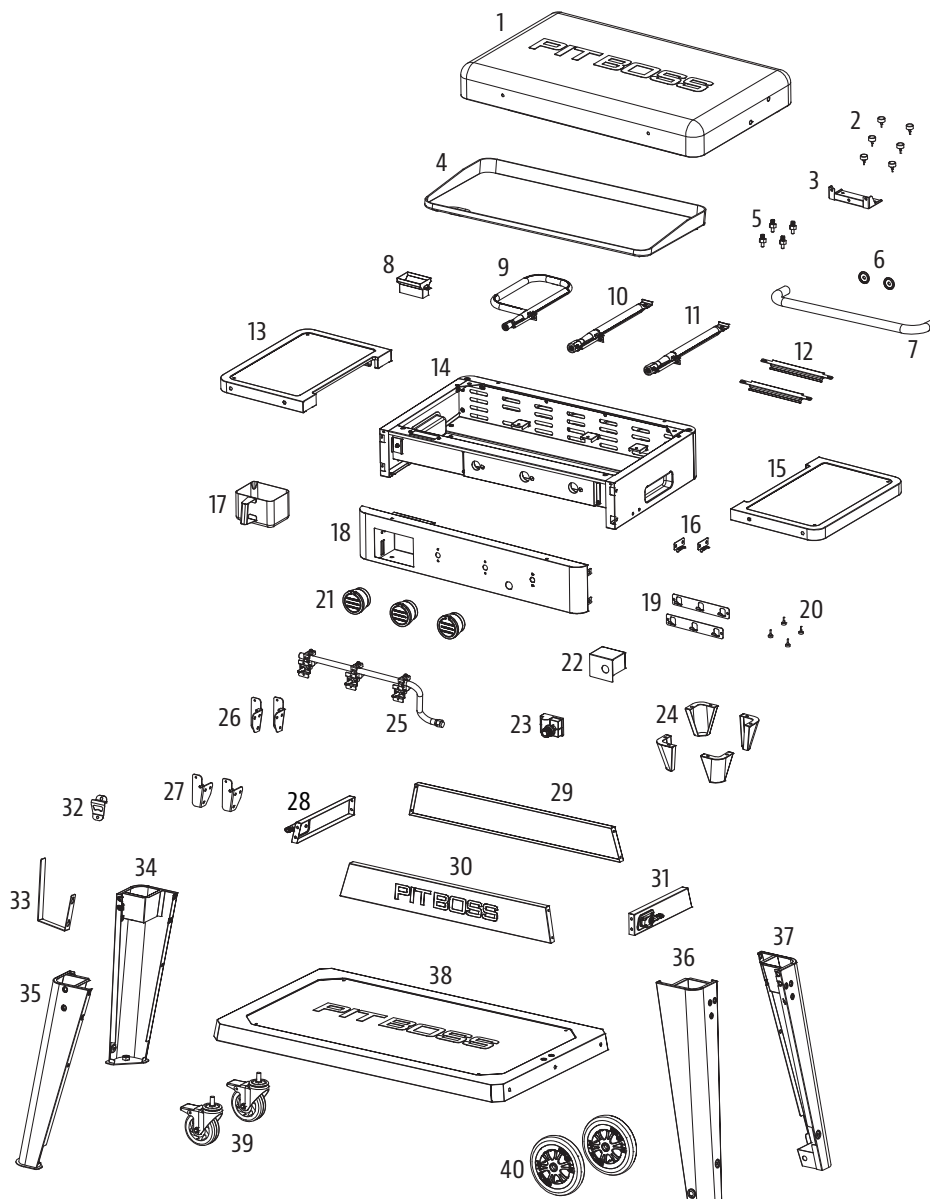
NOTA: Debido a que los productos están en desarrollo constante, las partes están sujetas a cambios sin previo aviso.



# PB3BGD2

N.º	Descripción
1	Tapa (x1)
2	Goma de soporte de la tapa (x6)
3	Soporte de la tapa (x1)
4	Placa de cocción (x1)
5	Tornillos de la pata de la placa de cocción (x4)
6	Bisel de la manija de la tapa (x2)
7	Manija de la tapa (x1)
8	Depósito de salida de grasa (x1)
9	Quemador en forma de P (x1)
10	Quemador del medio (x1)
11	Quemador derecho (x1)
12	Recambio ajustable de quemador (x2)
13	Bandeja lateral: izquierda (x1)
14	Conjunto de caja de fuego (x1)
15	Bandeja lateral: derecha (x1)
16	Gancho de cierre (x2)
17	Recipiente para la grasa (x1)
18	Panel de control de la caja de fuego (x1)
19	Panel de ganchos de la bandeja lateral (x2)
20	Goma de la bandeja lateral (x4)
21	Perilla de control (x3)
22	Protector de calor del encendedor (x1)
23	Encendedor (x1)
24	Patatas de la caja de fuego (x4)
25	Conjunto de válvulas (x1)
26	Soporte de la bandeja lateral: izquierdo (x2)
27	Soporte de la bandeja lateral: derecho (x2)
28	Panel lateral del carro: izquierdo (x1)
29	Panel trasero del carro (x1)
30	Panel delantero del carro (x1)
31	Panel lateral del carro: derecho (x1)
32	Abridor de botellas (x1)
33	Gancho para papel de cocina (x1)
34	Pata de apoyo para la rueda giratoria trasera (x1)
35	Pata de apoyo para la rueda giratoria delantera (x1)
36	Pata de apoyo para la rueda delantera (x1)
37	Pata de apoyo para la rueda trasera (x1)
38	Bandeja inferior (x1)
39	Rueda giratoria de bloqueo (x2)
40	Rueda (x2)

N.º	Descripción
A	Tornillo (x37)
B	Arandela (x16)
C	Arandelas de seguridad (x16)
D	Tornillo (x4)
E	Chavetas de rueda (x2)
F	Arandelas de eje de rueda (x2)
G	Clavijas de eje de rueda (x2)
H	Batería (x1)

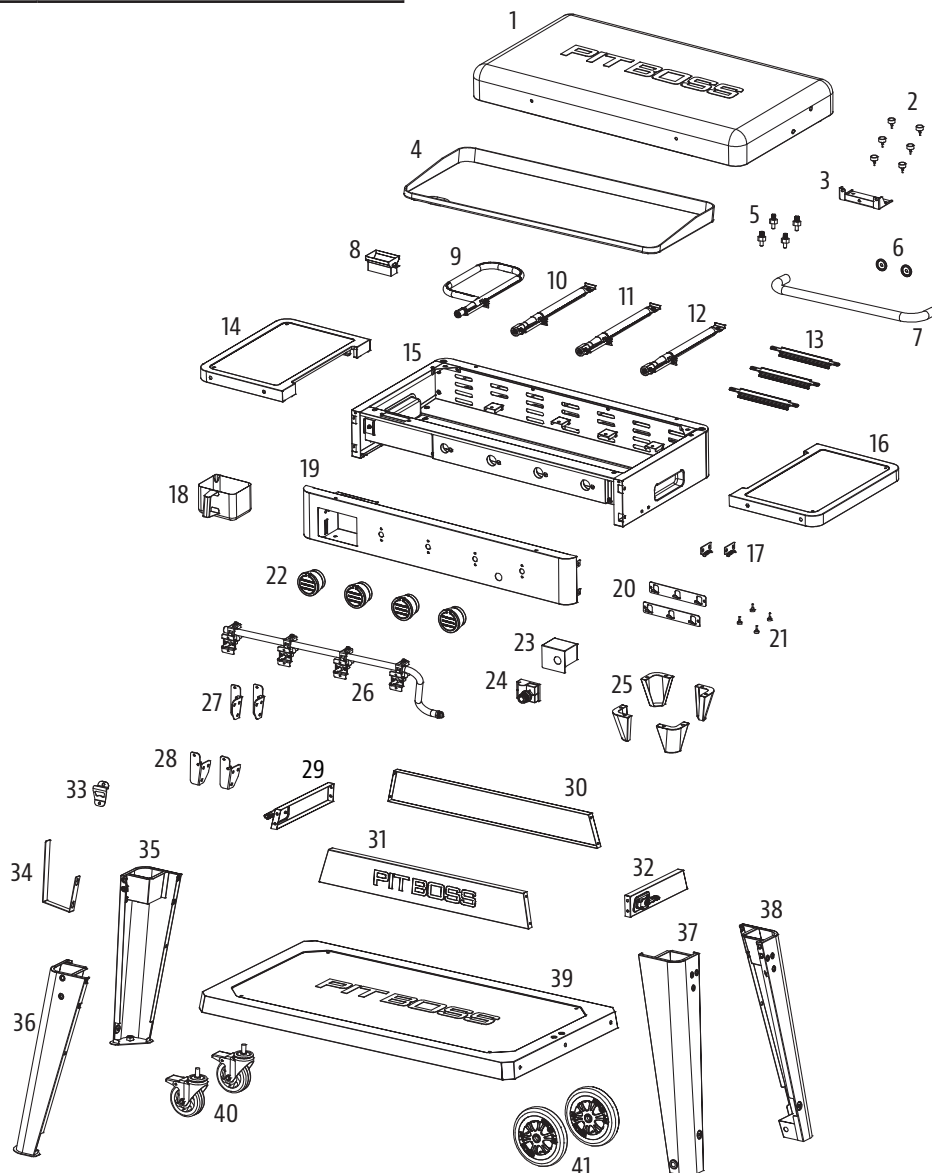


NOTA: Debido a que los productos están en desarrollo constante, las partes están sujetas a cambios sin previo aviso.

# PB4BGD2

N.º	Descripción
1	Tapa (x1)
2	Goma de soporte de la tapa (x6)
3	Soporte de la tapa (x1)
4	Placa de cocción (x1)
5	Tornillos de la pata de la placa de cocción (x4)
6	Bisel de la manija de la tapa (x2)
7	Manija de la tapa (x1)
8	Depósito de salida de grasa (x1)
9	Quemador en forma de P (x1)
10	Quemador izquierdo (x1)
11	Quemador del medio (x1)
12	Quemador derecho (x1)
13	Recambio ajustable de quemador (x3)
14	Bandeja lateral: izquierda (x1)
15	Conjunto de caja de fuego (x1)
16	Bandeja lateral: derecha (x1)
17	Gancho de cierre (x2)
18	Recipiente para la grasa (x1)
19	Panel de control de la caja de fuego (x1)
20	Panel de ganchos de la bandeja lateral (x2)
21	Goma de la bandeja lateral (x4)
22	Perilla de control (x4)
23	Protector de calor del encendedor (x1)
24	Encendedor (x1)
25	Patas de la caja de fuego (x4)
26	Conjunto de válvulas (x1)
27	Soporte de la bandeja lateral: izquierdo (x2)
28	Soporte de la bandeja lateral: derecho (x2)
29	Panel lateral del carro: izquierdo (x1)
30	Panel trasero del carro (x1)
31	Panel delantero del carro (x1)
32	Panel lateral del carro: derecho (x1)
33	Abridor de botellas (x1)
34	Gancho para papel de cocina (x1)
35	Pata de apoyo para la rueda giratoria trasera (x1)
36	Pata de apoyo para la rueda giratoria delantera (x1)
37	Pata de apoyo para la rueda delantera (x1)
38	Pata de apoyo para la rueda trasera (x1)
39	Bandeja inferior (x1)
40	Rueda giratoria de bloqueo (x2)
41	Rueda (x2)

N.º	Descripción
A	Tornillo (x37)
B	Arandela (x16)
C	Arandelas de seguridad (x16)
D	Tornillo (x4)
E	Chavetas de rueda (x2)
F	Arandelas de eje de rueda (x2)
G	Clavijas de eje de rueda (x2)
H	Batería (x1)

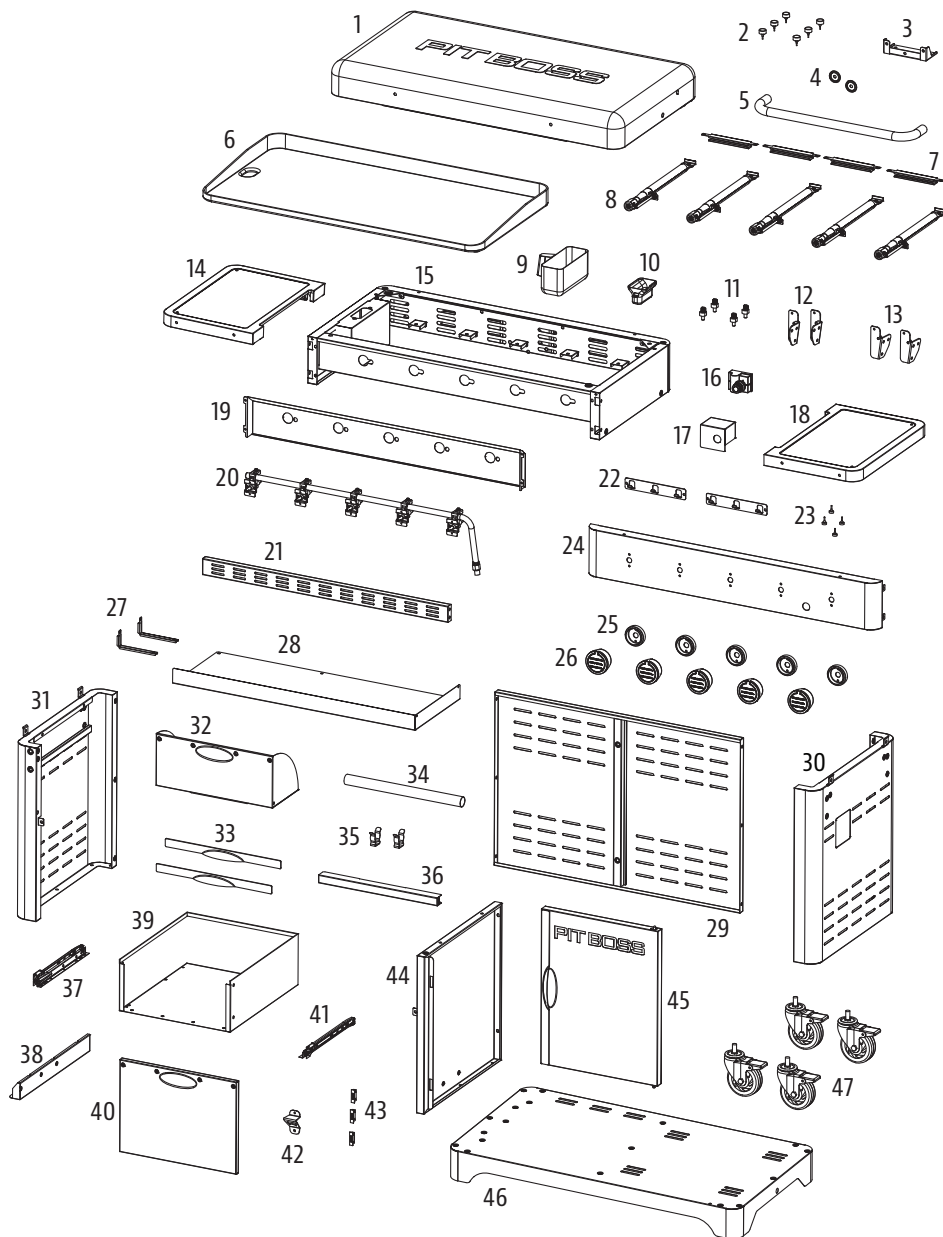
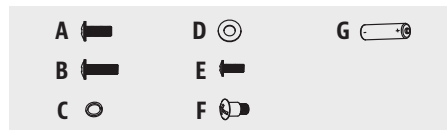


NOTA: Debido a que los productos están en desarrollo constante, las partes están sujetas a cambios sin previo aviso.

# PB5BGD2

N.º	Descripción
1	Tapa (x1)
2	Goma de soporte de la tapa (x6)
3	Soporte de la tapa (x1)
4	Bisel de la manija de la tapa (x2)
5	Manija de la tapa (x1)
6	Placa de cocción (x1)
7	Quemadores (x5)
8	Recipiente para la grasa (x1)
9	Depósito de salida de grasa (x1)
10	Tornillos de la pata de la placa de cocción (x4)
11	Soporte de la bandeja lateral: izquierdo (x2)
12	Soporte de la bandeja lateral: derecho (x2)
13	Bandeja lateral: izquierda (x1)
14	Conjunto de caja de fuego (x1)
15	Encendedor (x1)
16	Protector de calor del encendedor (x1)
17	Bandeja lateral: derecha (x1)
18	Protector de calor delantero (x1)
19	Conjunto de válvulas (x1)
20	Panel delantero del carro (x1)
21	Panel de ganchos de la bandeja lateral (x2)
22	Goma de la bandeja lateral (x4)
23	Panel de control de la caja de fuego (x1)
24	Base de la perilla de control (x5)
25	Perilla de control (x5)
26	Heat Shield Bracket (x2)
27	Soporte del protector de calor (x2)
28	Panel del protector de calor (x1)
29	Panel lateral del carro: derecho (x1)
30	Panel lateral del carro: izquierdo (x1)
31	Cajón abatible (x1)
32	Manija del cajón (x2)
33	Barra para papel de cocina (x1)
34	Tope (x2)
35	Barra de soporte del cajón (x1)
36	Rieles del cajón: izquierdo (x1)
37	Soporte del riel (x1)
38	Cajón (x1)
39	Frente del cajón (x1)
40	Rieles del cajón: derecho (x1)
41	Abridor de botellas (x1)
42	Hebilla magnética (x3)
43	División del carro (x1)
44	Puerta del gabinete (x1)
45	Parte inferior del carro (x1)
46	Perno del cilindro de gas (x1)
47	Rueda giratoria de bloqueo (x4)

N.º	Descripción
A	Tornillo (x54)
B	Tornillo (x2)
C	Arandelas de seguridad (x14)
D	Arandela (x14)
E	Tornillo (x14)
F	Tornillo (x6)
G	Batería (x1)



NOTA: Debido a que los productos están en desarrollo constante, las partes están sujetas a cambios sin previo aviso.

# GARANTÍA

## CONDICIONES

Todos los planchas a gas Pit Boss® Grills, fabricados por Dansons, tienen una garantía limitada a partir de la fecha de venta solo para el comprador original. La cobertura de la garantía comienza en la fecha original de compra y es necesario un comprobante de la fecha de la compra o una copia de la factura original de compra para validar la garantía. Los clientes deberán cubrir el costo de los repuestos, manejo y envío si no pueden proporcionar el comprobante de compra o si la garantía ha expirado. Dansons ofrece una garantía por dos (2) años contra defectos de materiales y mano de obra en todas las piezas. Dansons garantiza que todas las piezas están libres de defectos materiales y de mano de obra, para el período de uso y propiedad del comprador original. La garantía no cubre daños por desgaste normal, tales como rasguños, abolladuras, muescas o fisuras menores superficiales. Estos cambios estéticos en el asador no afectan su rendimiento. La reparación o reemplazo de cualquier pieza no extiende el período de garantía limitada más allá de dos (2) años a partir de la fecha de compra.

Durante el período de la garantía, la obligación de Dansons se limitará solo a suministrar un reemplazo para componentes defectuosos o que presenten fallas. Durante el período de garantía, Dansons no cobrará por la reparación o reemplazo de piezas devueltas, con envío pagado previamente, si considera que las piezas son defectuosas luego de haberlas examinado. Dansons no será responsable de costos de transporte, mano de obra o derechos de exportación. Salvo por lo establecido en estas condiciones de la garantía, la reparación o reemplazo de piezas, de la manera y durante el período aquí mencionados, constituye el cumplimiento de todas las responsabilidades y obligaciones, directas y derivadas, de Dansons hacia usted. Dansons hace todo lo posible por utilizar materiales que retarden la oxidación. Incluso con estas precauciones, diferentes sustancias y condiciones fuera del control de Dansons pueden afectar los recubrimientos protectores. Las temperaturas altas, la humedad excesiva, el cloro, los humos industriales, los fertilizantes, los pesticidas de jardín y la sal son algunas de las sustancias que pueden afectar los recubrimientos del metal. Por estas razones, la garantía no cubre corrosión ni oxidación, a menos que exista una pérdida de la integridad estructural de los componentes del asador. Si ocurre alguna de las condiciones anteriores, consulte la sección de cuidado y mantenimiento para prolongar la vida útil de su unidad. Dansons recomienda el uso de una cubierta cuando el asador no esté en uso.

Esta garantía se basa en el uso y servicio doméstico normal del asador, y ninguna garantía limitada se aplica a un asador que se utilice en aplicaciones comerciales.

## EXCEPCIONES

No existe una garantía escrita o implícita de desempeño en los productos de Pit Boss® Grills, ya que el fabricante no tiene control sobre la instalación, la operación, la limpieza, el mantenimiento o el tipo de combustible utilizado. Esta garantía no aplicará, y Dansons no asumirá ninguna responsabilidad, si su aparato no se instaló, operó, limpió o mantuvo en estricto cumplimiento con este manual del propietario. Cualquier uso de gas que no se explique en este manual puede anular la garantía. La garantía no cubre daños ni fallas debidas al mal uso, manejo inapropiado o modificaciones. Ni Dansons ni el distribuidor autorizado de Pit Boss® Grills asumen responsabilidad alguna, jurídica o de otro tipo, por los daños accidentales o consecuentes a los bienes o las personas debido al uso de este producto. Si se inicia una demanda contra Dansons con base en una infracción de esta garantía o de cualquier otro tipo de garantía explícita o implícita por la ley, el fabricante de ninguna manera será responsable de cualquier daño especial, indirecto o consecuente, ni por otros daños de cualquier naturaleza, por encima del precio original de compra de este producto. Todas las garantías del fabricante se especifican en este documento y no se puede realizar ninguna demanda contra el fabricante por cualquier garantía o representación. Algunos estados no permiten la exclusión o limitación de daños incidentales o consecuentes, o limitaciones de garantías implícitas, así que las limitaciones o exclusiones especificadas en esta garantía limitada podrían no aplicar para usted. Esta garantía limitada le da derechos jurídicos específicos y usted podría tener otros derechos, los cuales varían de estado a estado.

## PEDIDO DE PIEZAS DE REPUESTO

Para realizar pedidos de piezas de repuesto, póngase en contacto con su distribuidor local de Pit Boss® o visite: [www.pitboss-grills.com](http://www.pitboss-grills.com)

## PÓNGASE EN CONTACTO CON ATENCIÓN AL CLIENTE

Si tiene cualquier duda o problema, póngase en contacto con la Atención al cliente:

## SERVICIO DE GARANTÍA

Póngase en contacto con su distribuidor de Pit Boss® más cercano para reparaciones o piezas de repuesto. Dansons exige una prueba de compra para establecer la reclamación de garantía; por lo tanto, conserve su resguardo o factura de ventas original para referencia futura. Encontrará el número de serie y modelo de la Pit Boss® en la parte posterior. Tome nota de los números que se indican a continuación ya que la etiqueta puede desgastarse o volverse ilegible.

---

MODELO

---

NÚMERO DE SERIE

---

FECHA DE COMPRA

---

DISTRIBUIDOR AUTORIZADO

ES

ESPAÑOL

# SICHERHEITSHINWEISE

**DIE HAUPTURSACHEN FÜR GERÄTEBRÄNDE SIND UNGENÜGENDE WARTUNG UND DAS VERSÄUMNIS, DEN ERFORDERLICHEN MINDESTABSTAND ZU BRENNBAREN MATERIALIEN EINZUHALTEN. ES IST ÄUSSERST WICHTIG, DASS DIESES PRODUKT NUR ENTSPRECHEND DER FOLGENDEN ANWEISUNGEN VERWENDET WIRD.**

Bitte lesen Sie die gesamte Anleitung sorgfältig durch, bevor Sie damit beginnen, das Produkt aufzubauen, aufzustellen oder zu benutzen. Dadurch stellen Sie sicher, dass Ihnen der neue tragbare Pfannengrill Freude bereitet und bei der Verwendung möglichst wenig Probleme auftreten. Wir empfehlen ebenfalls, diese Anleitung zur künftigen Verwendung aufzubewahren.

## WARNHINWEISE FÜR PROPANGAS

### **GEFAHR**

Bei Gasgeruch:

- Die Gaszufuhr zum Gerät abschalten
- Alle offenen Flammen löschen
- Den Deckel öffnen
- Falls der Geruch anhält, halten Sie sich vom Gerät fern und rufen Sie sofort Ihren Gaslieferanten oder die Feuerwehr an.

### **WARNHINWEIS**

- Kein Benzin oder andere brennbare Flüssigkeiten oder Dämpfe in der Nähe dieses oder eines anderen Gerätes lagern oder verwenden.
- Eine nicht angeschlossene Gasflasche darf nicht in der Nähe dieses oder eines anderen Gerätes gelagert werden.
- Für den Betrieb benötigen Sie einen präzisionsgefüllten Gasbehälter mit Standard-G30/G31-Flüssigpropan zum Grillen mit Außenventilgewinde. Der maximale Durchmesser und die maximale Höhe des Behälters beträgt 300 mm (11,8 Zoll) und 600 mm (23,6 Zoll).

1. Achten Sie darauf, die Gasflasche von einem seriösen Lieferanten zu beziehen. Ein falsch befüllter oder überfüllter LPG-Behälter kann gefährlich sein. Der überfüllte Zustand in Verbindung mit der Erwärmung des LPG-Gasbehälters (heißer Sommertag, in der Sonne stehender Behälter, usw.) kann dazu führen, dass LPG-Gas freigesetzt wird, da der Temperaturanstieg die Ausdehnung des Gases bewirkt. Das aus der Flasche austretende Gas ist brennbar und kann explosiv sein.
2. Verwenden Sie keine LPG-Gasflasche, wenn diese ein beschädigtes Ventil hat oder Anzeichen von Beulen, Dellen, Ausbuchtungen, Brandschäden, Korrosion, Leckagen, übermäßigem Rost oder anderen Formen von äußeren optischen Schäden aufweist. Dies kann gefährlich sein und sollte sofort von einem Lieferanten für flüssiges Propangas überprüft werden.

**Wenn Sie Gas riechen, aus der Flasche austreten sehen oder ein Zischen hören, versuchen Sie nicht, das Gerät anzuzünden. Alle offenen Flammen löschen. Trennen Sie das Gerät von der Gaszufuhr.**

3. Verbinden oder trennen Sie den Gasbehälter nicht, während das Gerät in Betrieb oder noch heiß ist. Achten Sie darauf, dass der Reglerknopf auf OFF gestellt ist und trennen Sie den Gasbehälter, wenn der Pfannengrill nicht benutzt wird. Bewegen oder transportieren Sie das Gerät niemals, solange der Gasbehälter angeschlossen ist. Lagern Sie keine Ersatz-LPG-Gasbehälter unter dem oder in der Nähe des Gerätes.
4. Die Flaschen müssen im Freien und außerhalb der Reichweite von Kindern gelagert werden und dürfen nicht in einem Gebäude, einer Garage oder einem anderen geschlossenen Bereich aufbewahrt werden.

5. Behindern Sie nicht den Strom von Verbrennungs- und Belüftungsluft zu diesem Gerät. Halten Sie das Brennerrohr und die Zündlöcher sauber und frei von Schmutz. Vor Gebrauch reinigen. Zur Verlängerung der Lebensdauer des Geräts ist eine regelmäßige Pflege und Wartung erforderlich.
6. Achten Sie beim Anbringen und Abnehmen des Reglers an die Gasflasche immer auf Gasaustritt, insbesondere nach einer Lagerzeit (z. B. über Winter). Überprüfen Sie alle Anschlüsse mit einer Seifenlauge und einer Bürste auf Undichtigkeiten. Verwenden Sie niemals eine offene Flamme, um auf Undichtigkeiten zu prüfen.
7. Reinigen und überprüfen Sie den Gasregler vor jedem Gebrauch des Gaskochgerätes für den Außenbereich. Ersetzen Sie den Gasregler vor der Verwendung, wenn ein übermäßiger Abrieb oder Verschleiß vorliegt.
8. Betreiben Sie dieses Gerät nur mit Flüssiggas, das ebenfalls auf dem Typenschild am Gerät angegeben ist. Versuchen Sie nicht, Ihren Grill mit anderen Gasen zu betreiben. Versuchen Sie nicht, dieses LPG-Gerät auf Erdgas umzurüsten. Die Nichtbeachtung dieser Warnung kann Brände und Körperverletzungen verursachen und führt zum Erlöschen der Garantie.
9. The location of the burner tube with respect to the orifice is vital for safe operation. Check to ensure the orifice is inside the burner tube before using the gas griddle. If the burner tube does not fit over the valve orifice, lighting the burner may cause explosion and/or fire.

## GEFAHREN UND WARNHINWEISE

**Sie müssen sich an Ihre Hausvereinigung vor Ort, Ihren Gebäude- oder Brandbeauftragten oder die zuständige Behörde wenden, um die erforderlichen Genehmigungen, Anforderungen oder Informationen zu Installationsbeschränkungen wie das Aufstellen des Grills auf einer brennbaren Oberfläche, die Inspektionsanforderungen oder sogar die Einsatzmöglichkeit in Ihrer Region zu erhalten.**

1. Es muss ein Abstand von mindestens 1.270 mm (50 Zoll) von den Seiten und von der Rückseite des Pfannengrills zu brennbaren Bauten eingehalten werden. **Bauen Sie das Gerät nicht auf brennbaren Böden auf, oder auf Böden, die mit brennbaren Oberflächen geschützt sind, es sei denn, Ihnen liegen von den zuständigen Behörden die ordnungsgemäßen Genehmigungen und Zulassungen vor.** Verwenden Sie dieses Gerät nicht in Gebäuden und abgeschlossenen oder unbelüfteten Bereichen, in Wohnräumen, Fahrzeugen, Zelten, Garagen. Dieser LPG-Pfannengrill darf nicht unter einer Decke oder einem Überhang aus brennbaren Materialien aufgebaut werden. Stellen Sie den Pfannengrill in einem Bereich auf, der frei von brennbaren Materialien, Benzin und anderen entzündlichen Gasen und Flüssigkeiten ist.

**Wenn es zu einem Fettbrand kommt, schalten Sie den Grill auf OFF und lassen Sie den Deckel geschlossen, bis das Feuer erloschen ist. Unternehmen Sie keine Lösversuche mit Wasser. Versuchen Sie nicht, das Feuer zu ersticken. Es ist empfehlenswert, einen für alle Brandklassen (ABC) zugelassenen Feuerlöscher vor Ort zu haben. Rufen Sie die Feuerwehr, falls der Brand außer Kontrolle gerät.**

2. Dieser Außengrill ist nicht für den Einbau in/auf Wohnmobilen oder Booten vorgesehen.

**Verwenden Sie dieses Gerät niemals in einem geschlossenen Raum, wie z. B. in einem Wohnmobil, Zelt, Auto, Boot oder im Haus. Dieses Gerät ist nicht für den Einsatz als Heizgerät bestimmt und sollte niemals als solches verwendet werden.**

3. Dieses Gerät wird nicht empfohlen für Kinder, Personen mit eingeschränkten physischen, sensorischen oder mentalen Fähigkeiten oder Personen, denen es an Erfahrung und Wissen mangelt, es sei denn unter direkter Aufsicht oder nach Einweisung in die Funktionsweise dieses Geräts durch einen Sicherheitsverantwortlichen.
4. Teile des Grills können sehr heiß werden und ernsthafte Verletzungen verursachen. Halten Sie Kleinkinder und Haustiere auf Abstand, wenn das Gerät in Gebrauch ist. Fassen Sie nicht auf die heißen Flächen. Verwenden Sie immer hitzebeständige Handschuhe, lange Grillzangen oder Kochhandschuhe, da der Grill sehr heiß wird.
5. Nutzen Sie keinesfalls den Grill, wenn der Fettbehälter fehlt und nicht unter dem Feuerkasten hängt. Ohne den Fettbehälter können heißes Fett und Verschmutzungen nach unten fallen und eine Brandgefahr darstellen.



## KOHLENMONOXID („DER LEISE KILLER“)

Verwenden Sie ein Gasgerät immer im Außenbereich, auf einem freien Areal mit guter Belüftung, damit Sie keine giftigen Verbrennungsgase oder kein austretendes Gas einatmen. Kohlenmonoxid ist ein farb-, geruchs- und geschmacksloses Gas, das bei der Verbrennung von Gas, Holz, Propangas, Kohle und anderen Brennstoffen entsteht. Es verringert die Fähigkeit des Bluts, Sauerstoff zu transportieren. Ein niedriges Sauerstoffniveau kann zu Kopfschmerzen, Schwindel, Schwäche, Übelkeit, Erbrechen, Müdigkeit, Verwirrung, Bewusstseinsverlust und dem Tod führen. Befolgen Sie diese Richtlinien, um zu verhindern, dass dieses farb- und geruchslose Gas bei Ihnen, Ihrer Familie und anderen zu einer Kohlenmonoxid-Vergiftung führt.

- Suchen Sie einen Arzt auf, wenn Sie oder andere erkältungs- oder grippeähnliche Symptome beim Grillen oder Räuchern oder in der Nähe des Geräts entwickeln. Eine Kohlenmonoxid-Vergiftung, die leicht mit einer Erkältung oder Grippe verwechselt werden kann, wird oftmals zu spät entdeckt.
- Alkohol- und Drogenkonsum verstärkt die Effekte einer Kohlenmonoxid-Vergiftung.

Kohlenmonoxid gefährdet insbesondere Mutter und Kind während der Schwangerschaft, Kleinkinder, ältere Menschen, Raucher und Menschen mit Herz-Kreislauf-Problemen wie Anämie oder Herzerkrankungen.

## SICHERHEITSKENNZEICHNUNG

Gemäß den Verfahren und Anforderungen der Conformité Européenne (CE) ist die Regelkonformität der Gasgeräte von Pit Boss® Grills durch Tests bezüglich der Einhaltung von Standards und Richtlinien belegt, die allen Sicherheits-, Gesundheits- und Umweltschutzanforderungen der EU (Europäischen Union) und des Europäischen Wirtschaftsraums (EWR) genügen.



	HEIZLEISTUNG	ANZAHL DER BRENNER		ART DES BRENNERS	GRÖSSE DER EINSPRITZ-DÜSE	GAS/DRUCK	VERWENDUNGSLAND
		STAB-BRENNER	P-BRENNER				
<b>PB2BGD2</b>	7,63 KW G30 – 555 g/h G31 – 545 g/h	1	1	STAB-BRENNER	0,8 mm	G30 bei 28–30 mbar G31 bei 37 mbar G30/G31-Mischung bei 30 mbar	<b>I3+ (28-30/37) :</b> BE, CH, CY, CZ, ES, FR, GB, GR, IE, IT, LT, LU, LV, PT, SK, SI  <b>I3B/P (30) :</b> BE, CY, DK, EE, FR, GB, HU, IT, LT, NL, NO, SE, SI, SK, RO, HR, TR, BG, IS, LU, MT, FI  <b>I3B/P (37) :</b> PL  <b>I3B/P (50) :</b> AT, DE, SK, CH
<b>PB3BGD2</b>	10,5 KW G30 – 768 g/h G31 – 755 g/h	2	1		0,75 mm	G30/G31-Mischung bei 37 mbar	
<b>PB4BGD2</b>	13,49 KW G30 – 982 g/h G31 – 964 g/h	3	1		0,72 mm	G30/G31-Mischung bei 50 mbar	
<b>PB5BGD2</b>	14,65 KW G30 – 1066 g/h G31 – 1047 g/h	5	0	P-BRENNER	1,02 mm	G30 bei 28–30 mbar G31 bei 37 mbar G30/G31-Mischung bei 30 mbar	
					0,97 mm	G30/G31-Mischung bei 37 mbar	
					0,93 mm	G30/G31-Mischung bei 50 mbar	





#### HINWEISE ZUM COPYRIGHT

Copyright 2021. Alle Rechte vorbehalten. Kein Teil dieser Anleitung darf in keiner erdenklichen Form oder Weise kopiert, übertragen, transkribiert oder in einem Datenabfragesystem gespeichert werden, ohne die ausdrückliche schriftliche Zustimmung von

#### **DANSONS EUROPA**

11 Rue Galvani Paris, Frankreich 75017

#### **DANSONS NORDAMERIKA**

3411 North 5th Avenue, Suite 500, Phoenix, AZ, USA 85013

#### KUNDENDIENST

[www.pitboss-grills.com](http://www.pitboss-grills.com)

## INHALTSVERZEICHNIS

Sicherheitshinweise .....	62
Anschluss an eine Gaszufuhr	
Gasbehälter-Anforderungen .....	66
Installieren eines Gasanschlusses am Verteiler .....	66
Verbinden eines Gasbehälters .....	67
Betriebsvorbereitung – Lecktest .....	68
Trennen eines Gasbehälters .....	68
Bedienungsanleitung	
Umgebung des Pfannengrills.....	69
Erste Verwendung – Ausbrennen des Pfannengrills.....	70
Befeuervorgang .....	70
Manueller Anzündvorgang .....	71
Den Pfannengrill ausstellen .....	71
Den Pfannengrill vom Wagen heben .....	72
Verwenden des Müllbeutelhalters .....	73
Pflege und Wartung .....	74
Tipps und Techniken.....	75
Fehlerbehebung .....	76
Ersatzteile .....	77
Garantie.....	81

DE

DEUTSCHE

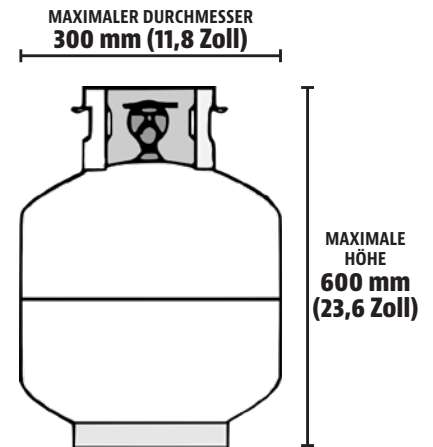
# ANSCHLUSS AN EINE GASZUFUHR

## GASBEHÄLTER-ANFORDERUNGEN

Für den Betrieb benötigen Sie einen präzisionsgefüllten Gasbehälter mit Standard-G30/G31-Flüssigpropan zum Grillen mit Außenventilgewinde. Verwenden Sie einen flexiblen Standardschlauch mit einer Länge von weniger als 1,5 m (59 Zoll). Der Schlauch muss nach seiner Anbringung zur Überprüfung auf ganzer Länge gut sichtbar sein.

Der maximale Durchmesser und die maximale Höhe des Behälters beträgt wie in der Abbildung angegeben 300 mm (11,8 Zoll) und 600 mm (23,6 Zoll).

**VORSICHT: Sie müssen den richtigen Regler verwenden, dessen relevanter Standard EN16129 lautet, und die richtige Flasche, damit Sie sicher und effizient Grillen können. Die Verwendung eines falschen oder fehlerhaften Reglers ist gefährlich und führt zum Erlöschen der Garantie. Es ist wichtig, die gesamte Länge des Schlauchs zu überprüfen. Bei klaren Anzeichen von übermäßigem Abrieb oder Verschleiß oder einem Einschnitt in den Schlauch, muss der Schlauch vor der Verwendung des Geräts ausgetauscht werden.**



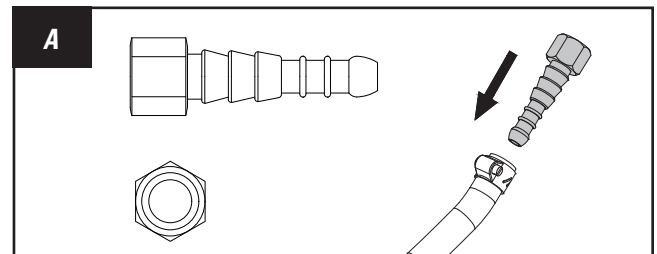
## INSTALLIEREN EINES GASANSCHLUSSES AM VERTEILER

Je nach Standort und Land des Kaufs ist nicht bei allen Händlern des Pfannengrills ein Regler im Lieferumfang enthalten. Für den Fall, dass der Gasregler nicht vormontiert geliefert wurde, wird ein Verteiler-Übergangssatz mitgeliefert. Wählen Sie aus dem mitgelieferten Verteiler-Übergangssatz den Anschluss aus, der für Ihre Gasverteiler- und Reglerschläuche erforderlich ist. Um die Installation des Gasanschlusses zu erleichtern, heben Sie den Pfannengrill vom Wagen ab oder trennen Sie ihn von ihm. Legen Sie das Gerät umgedreht auf ein Stück Pappe, um Kratzer oder Beschädigungen zu vermeiden.

- **ANSCHLUSS A – KONISCH**

Das verjüngte Steckerende in den Schlauch des Reglerventils stecken und mit der Schlauchklemme befestigen.

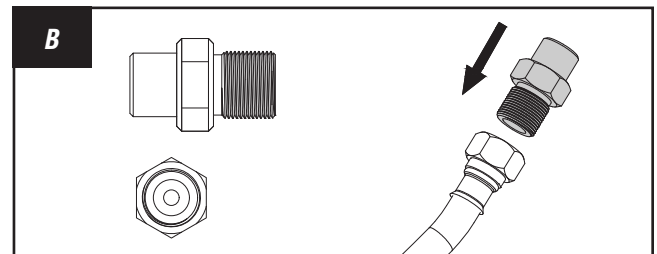
Beachten Sie Abbildung A.



- **ANSCHLUSS B – MIT GEWINDE**

Gewindeende des Steckers in die Gewindebuchse des Reglerventilschlauchs einstecken. Schrauben Sie ihn ein, bis er vollständig festgezogen ist.

Beachten Sie Abbildung B.



Fahren Sie mit dem nächsten Schritt zur Installation des Gasbehälters fort. Lassen Sie den Pfannengrill vom Wagen getrennt.

## VERBINDEN EINES GASBEHÄLTERS

**WICHTIG:** Wenn für den Gasverteiler ein Verbindungsstück benötigt wird, befolgen Sie die Montageanweisungen des Verbindungsstücks, bevor Sie das Gerät mit einem Gasbehälter verbinden.

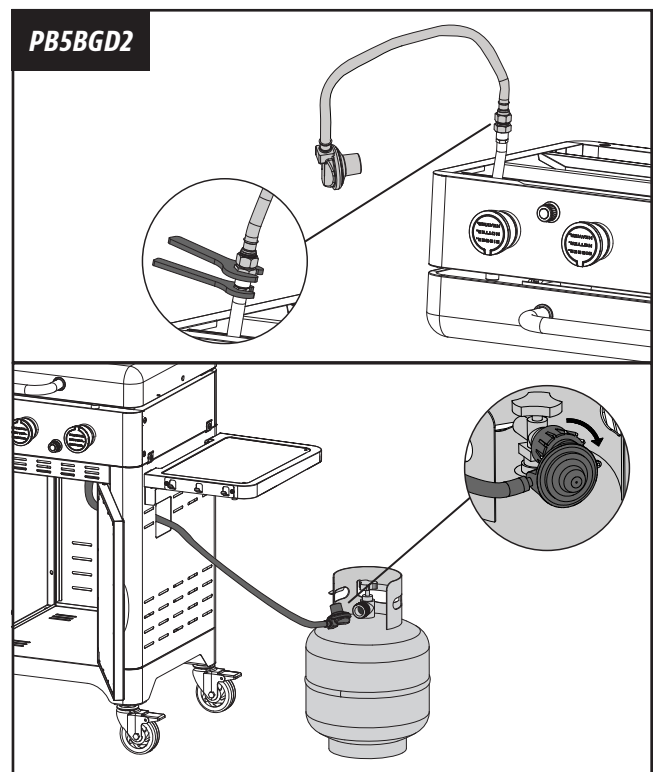
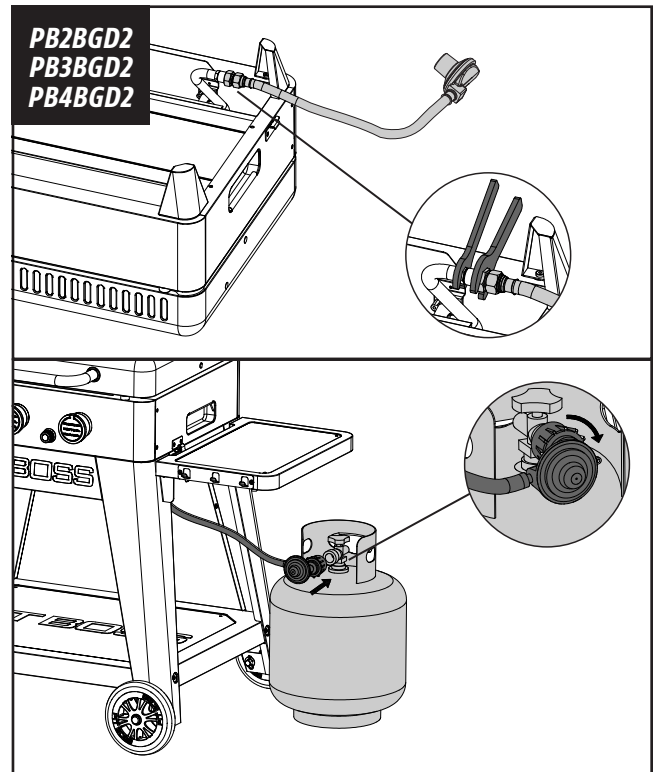
Prüfen Sie vor dem Verbinden, dass sich keine Verschmutzungen im Kopf des Gasbehälters, dem Kopf des Reglerventils oder dem Kopf des Brenners und der Brenneröffnungen befinden.

1. Wenn ein Regler vorinstalliert ist, fahren Sie mit dem nächsten Schritt fort.

Wenn ein Anschluss aus dem Verteiler-Übergangssatz angebracht wurde, lassen Sie den Pfannengrill für die Montage des Reglers vom Wagen getrennt. Schließen Sie die Reglerschlauchleitung an den Pfannengrill-Verteiler an, indem Sie sie mit einem Schraubenschlüssel vollständig festziehen. Montieren Sie den Pfannengrill wieder auf dem Wagen, sobald der Regler und die Reglerschläuche installiert sind. Stellen Sie sicher, dass die Reglerschläuche nicht verdreht oder eingeklemmt sind, wenn der Pfannengrill wieder auf dem Wagen steht.

2. Ziehen Sie beim Pfannengrill mit Schrank den Regler und die Reglerschläuche durch die Öffnung an der rechten Wagenwand.
3. Stellen Sie einen Gasbehälter rechts neben den Wagen. Das Gasbehälterventil sollte sich dabei in der CLOSED-Position befinden. Es ist wichtig sicherzustellen, dass der Gasbehälter vollständig aufrecht steht, da die Bedienung des Pfannengrills nicht sicher ist, wenn der Gasbehälter nicht vollständig eben oder auf einer stabilen Oberfläche steht.
4. Prüfen Sie, dass die Bedienknöpfe am Pfannengrill vollständig geschlossen sind, indem Sie die Knöpfe im Uhrzeigersinn in die Position O (OFF) drehen.
5. Entfernen Sie die Schutzkappen von der Öffnung des Reglerventils und der Oberseite des Gasbehälters. Bewahren Sie die Kappen auf.
6. Stecken Sie das Gasbehälterventil in die Gewindeöffnung des Reglerventils. Drehen Sie die Schnellkupplungsmutter im Uhrzeigersinn bis zum Anschlag. Nur handfest anziehen.
7. Der Gasbehälter ist nun angebracht. Führen Sie eine Dichtheitsprüfung durch.

**WARNUNG:** Wenn Sie Gas riechen, schalten Sie den Gasbehälter aus. Versuchen Sie, den Gasbehälter erneut anzuschließen, um sicherzugehen, dass der Schlauch richtig verbunden ist. Führen Sie eine Dichtheitsprüfung durch.



**HINWEIS:** Der normale Gasfluss durch den Regler und die Schlauchleitung kann ein brummendes Geräusch verursachen. Eine geringe Geräusentwicklung ist völlig normal und beeinträchtigt den Betrieb des Pfannengrills nicht. Wenn das Brummgeräusch übermäßig laut ist, müssen Sie möglicherweise die Gasleitung entlüften oder den Regler des Überströmventils für das Gas zurücksetzen. Dieser Reinigungsvorgang sollte jedes Mal durchgeführt werden, wenn ein neuer LPG-Gasbehälter an den Pfannengrill angeschlossen wird.

## BETRIEBSVORBEREITUNG – LECKTEST

Eine Dichtheitsprüfung wird verwendet, um die Integrität einer Dichtung zu bestimmen. Führen Sie vor der Verwendung Ihres Gasgrills eine Dichtheitsprüfung an der Verbindung zwischen Regler und Gasbehälter durch, um das Risiko schwerer Verletzungen oder des Todes durch Feuer oder Explosion zu verringern. Eine Dichtheitsprüfung sollte mindestens einmal pro Saison durchgeführt werden, sowie:

- vor dem ersten Anzünden des Grills,
- jedes Mal, wenn der Gasbehälter ausgetauscht wurde,
- nach einer Fahrt, insbesondere über raue oder holprige Straßen,
- nach längerer Lagerung oder Nichtbenutzung.

### DURCHFÜHREN EINER DICHTHEITSPRÜFUNG

#### Erforderliches Zubehör:

- 1 x Schüssel (leer, sauber)
- 1 x Pinsel (sauber)
- Geschirrspülmittel
- Wasser

#### Vorgehensweise:

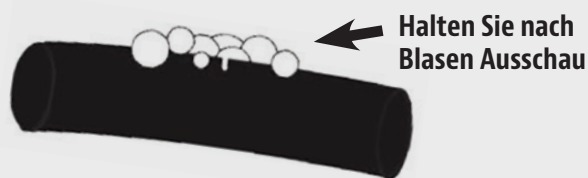
1. Stellen Sie den Grill in einem gut belüfteten Bereich auf. Stellen Sie sicher, dass der Grill kühl genug zum Anfassen und nicht in Betrieb ist. Vergewissern Sie sich, dass das Reglerventil in der Position OFF steht und dass der Gasbehälter fest mit dem Regler verbunden ist.

**WICHTIG:** Stellen Sie sicher, dass sich keine offene Flamme oder rauchende Personen in der Nähe befinden.

2. Mischen Sie eine Lösung aus Wasser und Spülmittel im gleichen Mengenverhältnis in einer Schüssel. Die Lösung wird aufgrund der Konzentration Blasen bilden.
3. Tragen Sie die Lösung mit einem Pinsel auf die Dichtung zwischen Regler und Gasbehälter auf. Kontrollieren Sie, ob sich außen Blasen bilden, die auf einen Defekt oder einen Bruch der Dichtung hinweisen.

**HINWEIS:** Wenn ein Leck auftritt, wiederholen Sie den Installationsvorgang des Gasbehälters, ziehen ihn aber nicht zu fest an. Nur handfest anziehen. Wiederholen Sie die Dichtheitsprüfung nach dem erneuten Anbringen, um eine sichere Abdichtung sicherzustellen.

**ACHTUNG:** Den Gasgrill nicht verwenden, wenn Sie ein Gasleck feststellen, das nicht mit dem Dichtheitsprüfungsverfahren behoben werden kann. Wenden Sie sich an Ihre örtliche Feuerwehr oder den Kundendienst, um alternative Testverfahren zu erhalten und die richtigen Vorsichtsmaßnahmen zu treffen.



## TRENNEN EINES GASBEHÄLTERS

1. Stellen Sie sicher, dass der Drehregler am Grill vollständig geschlossen ist, indem Sie den Knopf im Uhrzeigersinn in die Position OFF drehen. Drehen Sie das Ventil des LPG-Gasbehälters in die Position CLOSED, so dass der Reglerknopf herauskommt.
2. Drehen Sie den Behälter gegen den Uhrzeigersinn (von Hand), damit er sich von der Öffnung des Reglerventils löst. Stecken Sie die Schutzkappen wieder auf die Öffnung des Reglerventils und auf die Oberseite des Gasbehälters zur Aufbewahrung (wenn dieser nicht leer ist).

**HINWEIS: Wenn Sie den Grill im Innenbereich aufbewahren, lassen Sie die Gasflasche draußen.**

**ACHTUNG: Den Grill nicht zusammenklappen oder transportieren, wenn eine Gasflasche angebracht ist. Die Flasche kann sich vom Ventil lösen und ein Gasleck verursachen, was möglicherweise zu einer Explosion, einem Brand oder schweren Körperverletzungen führen kann. Trennen Sie vor dem Bewegen oder Lagern zuerst die Gasflasche.**

# BEDIENUNGSANLEITUNG

## UMGEBUNG DES PFANNENGRILLS

### 1. AUFSTELLEN DES PFANNENGRILLS

Wie bei allen Geräten für den Außenbereich spielt das Wetter eine wichtige Rolle bei der Grill-/Räucherleistung des Pfannengrills und der Garzeit, die zur Zubereitung der Mahlzeit notwendig ist. Alle Pit Boss® Geräte sollten in einem Mindestabstand von 1.270 mm (50 Zoll) von brennbaren Bauten aufgestellt werden und dieser Mindestabstand muss während der gesamten Nutzungsdauer eingehalten werden. Dieses Gerät darf nicht unter einer brennbaren Decke oder einem brennbaren Vorsprung aufgebaut werden. Stellen Sie den Pfannengrill in einem Bereich auf, der frei von brennbaren Materialien oder anderen entzündlichen Gasen und Flüssigkeiten ist.

### 2. GAREN BEI KALTEM WETTER

Wenn es draußen kälter wird, heißt das nicht, dass die Grillsaison beendet ist! Die frische kalte Luft und der vorzügliche Duft nach gegrilltem Essen werden Ihnen dabei helfen, den Winter-Blues zu überwinden. Beachten Sie diese Empfehlungen und Sie werden während der kälteren Monate Freude an Ihrem Grill haben:

- Seien Sie gut organisiert: Bereiten Sie alles, was Sie benötigen, in der Küche vor, bevor Sie nach draußen gehen. Verlegen Sie Ihren Grillplatz im Winter an einen windgeschützten Ort, wo Sie nicht in der direkten Kälte stehen. Überprüfen Sie die kommunalen Verordnungen hinsichtlich des Abstands zwischen Grill und/oder anderen Bauten. Stellen Sie alles auf ein Tablett, ziehen Sie sich warm an und machen Sie sich ans Werk!
- Um die Außentemperatur zu verfolgen, hängen Sie ein Außenthermometer in der Nähe des Grillbereichs auf. Führen Sie Buch darüber, was Sie zubereiten, über die Außentemperatur und die Garzeit. Das hilft Ihnen zu einem späteren Zeitpunkt bei der Entscheidung, was Sie grillen oder räuchern und wie lange Sie dafür veranschlagen müssen.
- Stellen Sie eine warme Servierplatte bereit oder decken Sie den Teller ab, um das Essen warm zu halten, während Sie zurück ins Haus gehen.

### 3. GAREN BEI HEISSEM WETTER


Wenn es draußen wärmer wird, verringert sich die Garzeit. Halten Sie sich an diese Empfehlungen und Sie werden während der heißen Monate Freude an Ihrem Grill haben:

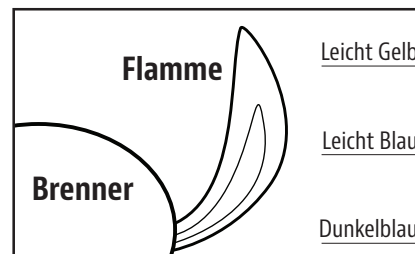
- Passen Sie Ihre Kochtemperatur nach unten an. Dadurch können Sie ein unerwünschtes Aufflammen vermeiden.
- Verwenden Sie ein Fleischthermometer, um die Kerntemperatur des Essens zu bestimmen. Dadurch können Sie das Fleisch vor zu langem Garen und Austrocknen bewahren.
- Sie können das Grillgut warm halten, indem Sie es in Folie wickeln und in einer isolierten Kühltasche aufbewahren. Stopfen Sie den Platz um die Folie mit zusammengeknüllter Zeitung aus und Ihr Essen wird 3 bis 4 Stunden warm bleiben.

## ERSTE VERWENDUNG – AUSBRENNEN DES PFANNENGRILLS

Es ist wichtig, dass Sie den Pfannengrill ausbrennen, bevor Sie zum ersten Mal Lebensmittel mit ihm zubereiten. Starten Sie den Pfannengrill und lassen Sie ihn mindestens 15 Minuten auf HIGH laufen, um das Gerät auszubrennen. Dadurch werden die inneren Bauteile „durch Hitze gereinigt“, Gerüche und Fremdstoffe beseitigt.

### BEFEUERUNGSVORGANG

1. Öffnen Sie den Deckel während des Zündens.
2. Stellen Sie alle Bedienknöpfe auf die Position O.
3. Öffnen Sie das Flaschen-/Gasventil gemäß der Betriebsanleitung auf dem Behälter.
4. Drücken und drehen Sie den Brennkontrollknopf gegen den Uhrzeigersinn auf „ (Anzündposition)“.
5. Drücken Sie den Knopf für den Anzünder, bis der Brenner zündet.
6. Wenn die Zündung nicht innerhalb von 5 Sekunden erfolgt, drehen Sie das Ventil auf O, warten Sie 5 Minuten und wiederholen Sie die Zündanweisungen. Beobachten Sie nach dem Anzünden die Brennerflamme. Stellen Sie sicher, dass alle Brennerlöcher angezündet sind und die Flammenhöhe der Abbildungsdarstellung entspricht.
7. Wenn die oben aufgeführten Punkte nicht weiterhelfen, befolgen Sie den **manuellen Anzündvorgang**.



**Wenn der Brenner während des Betriebs ausgeht, drehen Sie die Bedienknöpfe in die Position O (OFF). Warten Sie fünf Minuten, bevor Sie versuchen, das Gerät erneut anzuzünden, damit das angesammelte Gas entweichen kann.**

### VORGEHEN BEI ZÜNDUNGSFEHLER

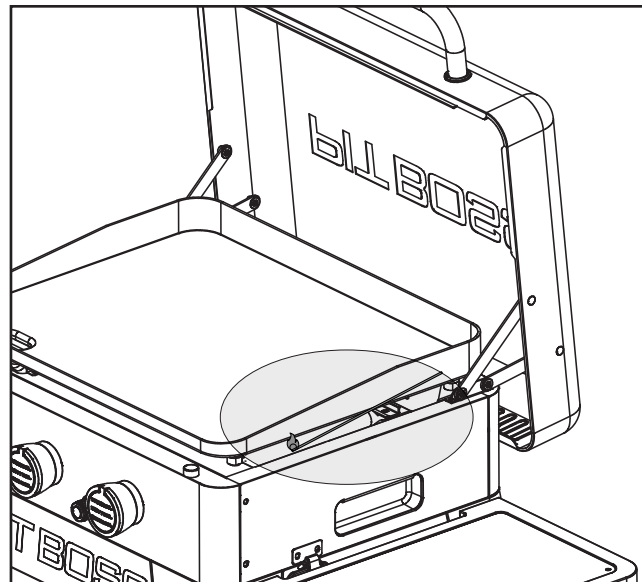
**Wenn der Anzünder nach drei oder vier Versuchen immer wieder versagt, gehen Sie die folgenden Schritte durch, oder starten Sie den Grill manuell.**


1. Stellen Sie sicher, dass die Bedienknöpfe auf die Position OFF gedreht sind. Lassen Sie das sich eventuell angesammelte Gas entweichen.
2. Nach fünf Minuten überprüfen Sie Folgendes:
  - Vergewissern Sie sich visuell, dass der Anzünder funktioniert, indem Sie den Anzünderknopf drücken. Sie sollten nun auf der Anzünderspitze einen Funken sehen. Wenn kein Funke zu sehen ist, stellen Sie den Abstand zwischen Anzünder-(Elektroden-)Spitze und Brenner auf 4,5 mm (3/16 Zoll) ein.
  - Schauen Sie nach, ob das Brennerrohr und die Zündlöcher nicht verstopft sind. Befolgen Sie die Pflege- und Wartungsanweisungen, falls diese verstopft sind.
3. Wenn die oben aufgeführten Punkte nicht weiterhelfen, befolgen Sie die Anweisungen zur Fehlerbehebung.

## MANUELLER ANZÜNDVORGANG

1. Öffnen Sie den Deckel während des Zündens.
2. Stellen Sie alle Bedienknöpfe auf die Position O.
3. Öffnen Sie das Flaschen-/Gasventil gemäß der Betriebsanleitung auf dem Behälter.
4. Zünden Sie den Brenner schnell und vorsichtig mit einem brennenden Streichholz oder einem Stabfeuerzeug an. Verschaffen Sie sich von der Unterseite der Grillplatte aus Zugang zum Brenner. Halten Sie das brennende Streichholz seitlich, nahe an den Brenner.

**ACHTUNG:** Versuchen Sie nicht, den Brenner an einer anderen Stelle anzuzünden. Sie könnten sich dadurch verletzen.



5. Drücken Sie den Brennerregler und drehen Sie ihn gegen den Uhrzeigersinn auf „ (Anzündposition)“. Halten Sie dann den Knopf 10 Sekunden lang gedrückt, nachdem der Brenner gezündet wurde. Sie hören das „knackende“ Geräusch des Funkens, bis Sie den Knopf losgelassen haben.

**HINWEIS:** Verwenden Sie niemals Spiritus, Feuerzeugbenzin oder Kerosin, um das Feuer in Ihrem Pfannengrill zu entzünden oder anzufachen.

6. Wenn der Brenner nicht innerhalb von 5 Sekunden zündet, drehen Sie den Brennerregler auf O, warten Sie 5 Minuten und wiederholen Sie die Anzündanweisungen. Beobachten Sie nach dem Anzünden die Brennerflamme. Stellen Sie sicher, dass alle Brennerlöcher angezündet sind und die Flammenhöhe der im Vorangegangenen dargestellten Abbildung entspricht.

**HINWEIS:** Jeder Brenner entzündet sich einzeln – wiederholen Sie dieselben Schritt für die anderen Brenner.

**WARNUNG:** Beugen Sie sich beim Anzünden des Gaspfannengrills niemals über die Kochfläche. Bleiben Sie mit Ihrem Gesicht und Körper in einem sicheren Abstand (mindestens 457 mm/18 Zoll) zur Oberfläche des Grillrosts, wenn Sie den Pfannengrill mit einem Streichholz anzünden.

7. Wenn die oben aufgeführten Punkte nicht weiterhelfen, schlagen Sie in der **Fehlerbehebung** nach.

## DEN PFANNENGRILL AUSSTELLEN

1. Wenn Sie fertig garen sind, drehen Sie den Gasbehälter in die Position CLOSED, so dass der Reglerknopf herauskommt. Durch diese Sicherheitsfunktion wird der Reglerknopf verschlossen, so dass kein weiteres Gas ausströmt.
2. Drehen Sie die Bedienknöpfe in die Position O..

**HINWEIS:** Ein zischendes Geräusch ist normal, da das letzte LPG verbrannt wird.

3. Trennen Sie Gaszufuhr gemäß den Anweisungen zum **Trennen eines Gasbehälters**.

**ACHTUNG:** Lassen Sie den Pfannengrill vollständig abkühlen und entfernen Sie den Gasbehälter, bevor Sie ihn bewegen, transportieren oder lagern.

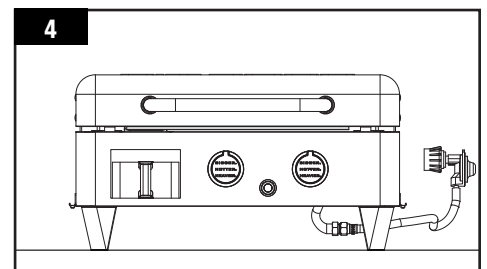
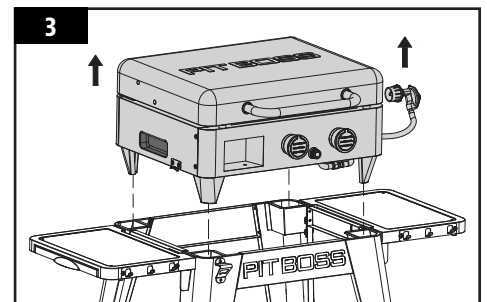
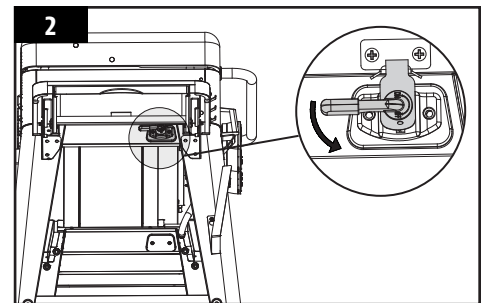
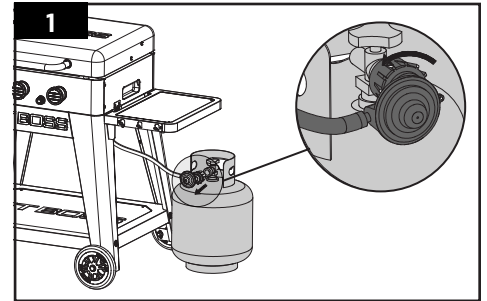


# DEN PFANNENGRILL VOM WAGEN HEBEN

Wenn Sie einen Pfannengrill der Modellreihe PB2BPGG, PB3BPGG, PB4BPGG besitzen, können Sie diesen schnell und einfach zum Tailgating oder Transport vom Wagen heben. Führen Sie einfach die Montageanweisungen in umgekehrter Reihenfolge durch oder befolgen Sie die folgende Kurzfassung:

**WICHTIG: Vergewissern Sie sich immer, dass der Pfannengrill vollständig abgekühlt und von der Gasversorgung getrennt ist sowie der Fettbehälter entfernt wurde.**

1. Trennen Sie das Gerät von der Gasversorgung. Lösen Sie die Druckreglereinheit vom Behälterventil, indem Sie die Schnellkupplungsmutter gegen den Uhrzeigersinn drehen.
2. Drehen Sie den Riegel (einer auf jeder Seite), um die Arretierung des Feuerkastens auf dem Wagen zu lösen.
3. Heben Sie den Pfannengrill mit zwei Personen vorsichtig vom Wagen ab, indem Sie die Griffaussparungen auf jeder Seite benutzen. Achten Sie beim Anheben besonders auf den Regler und die Schläuche.
4. Stellen Sie den Feuerkasten sofort auf den Boden oder an den gewünschten Ort, um Verletzungen oder Schäden am Gerät zu vermeiden..

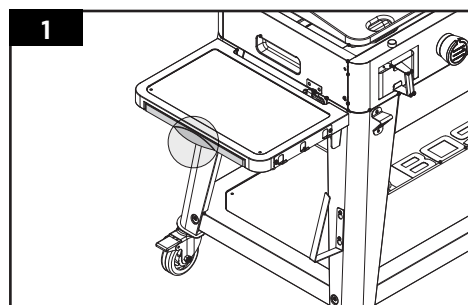


# VERWENDEN DES MÜLLBEUTELHALTERS

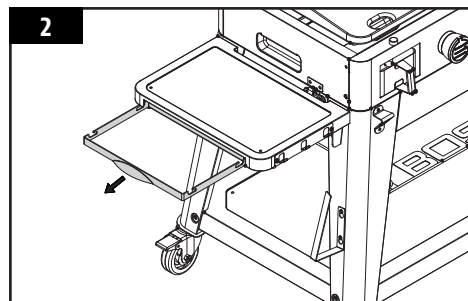
Das Müllsammeln war noch nie so einfach wie mit dem Müllbeutelhalter. Dieses Edelstahlgestell, das sich unter der linken Seitenablage befindet, ist leicht zu reinigen und funktioniert mit einem Standard-Plastikbeutel normaler Größe, typischerweise mit einem Volumen von etwa 10-20 Litern (2,5-5 Gallonen). Das Gestell ist außerdem so konzipiert, dass es die meisten Standard-Müllbeutel (mit oder ohne Griffe) mit einem Volumen von bis zu 60 Litern (16 Gallonen) aufnehmen kann.

**WICHTIG: Achten Sie darauf, wie viel Gewicht auf dem Müllbeutelhalter lastet. Wechseln Sie den Beutel häufig, um die Integrität der Struktur und der Komponenten des Müllbeutelhalters nicht zu beeinträchtigen.**

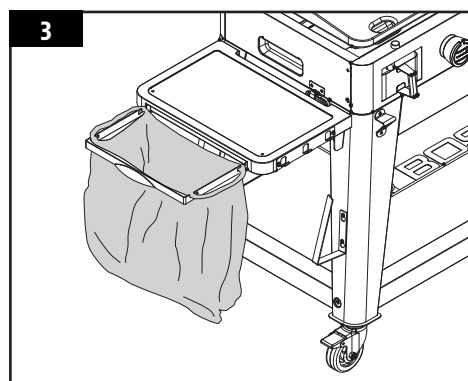
1. Suchen Sie den Griff des Müllbeutelhalters an der linken Seitenablage.



2. Ziehen Sie den Müllbeutelhalter heraus, um die Gestellhalterungen freizulegen.



3. Hängen Sie einen Plastikbeutel oder einen Standard-Müllbeutel in den Müllbeutelhalter ein. Nehmen Sie die Griffe einer Einkaufsstütze und schlingen Sie sie um die Gestellhalterungen, oder schlingen Sie den Müllbeutel um drei Seiten des Gestells, damit er nicht verrutscht.



# PFLEGE UND WARTUNG

## KONTROLLE DES GASFÜLLSTANDS

Für die Kontrolle der Brennstoffmenge im LPG-Gasbehälter muss der Grill in Betrieb sein. Legen Sie Ihre Hand oben auf den Gasbehälter und fahren Sie langsam an der Seite nach unten, bis sich der Behälter kalt anfühlt. Dies zeigt Ihnen die ungefähre Restmenge in Ihrem Gasbehälter an. Wenn er zu drei Vierteln leer ist, tauschen Sie ihn gegen einen vollen Gasbehälter aus.

**WICHTIG: Verwenden Sie keine Holzkohlebriketts oder anderen brennbaren Materialien für den Grill. Eine Verwendung dieser Materialien führt zum Erlöschen der Garantie und kann einen Brand, eine Explosion und Verletzungen verursachen.**

## REINIGUNGSHÄUFIGKEIT

Jedes Pit Boss®-Gerät bietet Ihnen viele Jahre geschmacksintensiven Betriebs bei minimalem Reinigungsaufwand. Befolgen Sie die Pflege- und Wartungstipps, um den Grill zu warten:

### 1. BRENNERKOMPONENTEN

- Reinigen Sie den Brenner, wenn sich starke Ablagerungen gebildet haben, um sicherzugehen, dass nichts auf dem Brennerrohr oder in den Zündlöchern des Brenners auf eine Blockierung (Verschmutzungen, Insekten) hinweist. Bei längerer Lagerung können Spinnen oder kleine Insekten Nester, Netze und Eier im Brennerrohr anbringen und so den Gasfluss zum Brenner behindern. Ein verstopftes Brennerrohr kann zu einem Brand unter dem Gerät führen. Bevor Sie den Grill einlagern oder für einen längeren Zeitraum nicht nutzen, entfernen Sie den Brenner und wickeln Sie ihn in Aluminiumfolie, um das Risiko zu verringern, dass Insekten durch die Zündlöcher eindringen.
- Der Brenner ist für eine optimale Flammleistung voreingestellt. Eine blaue Flamme, möglicherweise mit einer gelben Spitze, ist das Resultat einer optimalen Luft- und Gasmischung. Wenn Flammen übermäßig gelb, orange oder unregelmäßig sind, reinigen Sie die Oberfläche und Zündlöcher des Brenners von Öl- und Lebensmittelrückständen, um die Luftzufuhr zu verbessern.

### 2. KOCHKOMPONENTEN

- Die Hot Plate Ihrer Grillplatte ist keramikbeschichtet. Die besten Utensilien sind Holz, Silikon oder Nylon, da diese Materialien die Abnutzung der Kochfläche verringern.
- Das Gerät wird werkseitig vorgewürzt geliefert, aber es ist wichtig, die Kochplatte nach jedem Gebrauch zu reinigen und zu würzen, um Rost zu vermeiden, die Lebensdauer Ihrer Grillplatte zu verlängern und eine antihafbeschichtete Kochfläche zu schaffen. Das Würzen der Grillplatte ist ein kontinuierlicher Prozess, der während der gesamten Lebensdauer Ihrer Grillplatte wiederholt werden muss, um das beste Kocherlebnis und die längste Nutzungsdauer zu gewährleisten.
  1. Reinigen Sie die Grillplatte nach jedem Gebrauch mit einem Spatel oder Schaber, um alle Lebensmittel und Rückstände zu entfernen.
  2. Tragen Sie großzügig eine gleichmäßige Schicht Speiseöl auf die Kochfläche auf. Pflanzen-, Oliven-, Erdnuss-, Kokos- und Sesamöle eignen sich zum Würzen Ihrer Grillplatte.
  3. An einem kühlen, trockenen Ort abkühlen lassen.

### 3. GRILLPLATTE AUSSEN

- Alle Schrauben und Bolzen sollten regelmäßig überprüft werden. Ziehen Sie sie gegebenenfalls nach.
- Verwenden Sie eine Grillabdeckung, um dem Grill einen Rundumschutz zu geben! Eine Abdeckung ist der beste Schutz gegen das Wetter und äußere Verunreinigungen. Wenn Sie den Grill nicht in Gebrauch haben oder er längere Zeit gelagert werden soll, stellen Sie ihn ohne Gasbehälter (muss im Außenbereich gelagert werden) abgedeckt in einer Garage oder einem Schuppen unter.

## ÜBERSICHT REINIGUNGSPLAN (NORMALER GEBRAUCH)

ELEMENT	REINIGUNGSHÄUFIGKEIT	REINIGUNGSMETHODE
Grillplatte	Nach jedem Einsatz	Rückstände abbrennen, mit Scheuerschwamm & Seifenlauge reinigen, mit Speiseöl einreiben
Fettwanne	Nach jedem Einsatz	Leeren, Scheuerschwamm und Seifenwasser
Brennerrohr, Zündlöcher	Nach 5–6 Einsätzen	Abstauben, Scheuerschwamm und Seifenwasser
Brenner	Nach 5–6 Einsätzen	Scheuerschwamm und Seifenwasser
Wagen	Bei Bedarf	Nicht scheuerndes Tuch und Seifenwasser

## TIPPS UND TECHNIKEN

Lesen Sie diese hilfreichen Tipps und Techniken, die wir von Pit Boss®-Besitzern, unseren Mitarbeitern und Kunden wie Ihnen zusammengetragen haben, um Ihren Grill besser kennenzulernen:

### 1. LEBENSMITTELSICHERHEIT

- Halten Sie die Küche und den Garbereich sauber. Verwenden Sie andere Platten und Küchenutensilien für das gegarte Fleisch als die, die Sie für die Vorbereitung und den Transport des rohen Fleisches zum Grill benutzt haben. Das verhindert eine Übertragung von Bakterien. Jede Marinade oder Baste sollte ihre eigenen Utensilien haben.
- Halten Sie heiße Lebensmittel heiß (über 60 °C / 140 °F) und kalte Lebensmittel kalt (unter 3 °C / 37 °F). Gekochte Speisen sollten nicht länger als eine Stunde in der Hitze stehen. Lassen Sie heiße Speisen nicht länger als zwei Stunden außerhalb des Kühlschranks stehen.
- Eine Marinade sollte niemals für den späteren Gebrauch aufbewahrt werden. Wenn Sie sie mit dem Fleisch servieren möchten, achten Sie darauf, sie vor dem Servieren aufzukochen.
- Marinieren und tauen Sie Fleisch im Kühlschrank auf. Fleisch sollte nicht bei Zimmertemperatur oder auf der Arbeitsfläche aufgetaut werden. Bakterien können wachsen und sich in den warmen feuchten Lebensmitteln schnell vermehren. Waschen Sie ihre Hände sorgfältig mit heißem Wasser und Seife, bevor Sie mit den Essensvorbereitungen beginnen, sowie nachdem Sie frisches Fleisch, Fisch und Geflügel angefasst haben.

### 2. GARVORBEREITUNGEN

- Seien Sie vorbereitet oder **Mise en Place**. Das bezieht sich auf das Vorbereiten des Kochrezepts, Brennstoffs, Zubehörs, der Kochutensilien und aller Zutaten, die Sie am Grill benötigen, bevor Sie mit dem Garen beginnen. Lesen Sie ebenfalls das Rezept vollständig durch, bevor Sie den Grill anzünden.
- Eine Bodenmatte für den Grill ist sehr nützlich. Bei Missgeschicken im Umgang mit dem Grillgut und Bratspritzern würde eine Bodenmatte für den Grill den Terrassen- oder Verandaboden beziehungsweise die Bodenplatten vor möglichen Fettflecken und versehentlichem Klecksen schützen.

### 3. GAR-TIPPS UND -TECHNIKEN

- Verwenden Sie immer einen Fleischtemperaturfühler, um die Kerntemperatur des Grillguts, das Sie zubereiten, zu bestimmen. Es ist ratsam, das fertige Essen auf eine vorgewärmte Servierplatte zu legen, sodass das Essen warm bleibt. Bei rotem Fleisch wie Steak oder Braten ist es gut, es vor dem Servieren einige Minuten ruhen zu lassen. Dadurch wandert der Fleischsaft, der durch die Hitze an die Oberfläche gestiegen war, zurück in die Mitte des Fleisches und das Fleisch ist aromatischer im Geschmack.
- Zuckerbasierte Soßen werden am besten gegen Ende der Garzeit aufgetragen, um ein Verbrennen und Aufblähen zu vermeiden.
- Verwenden Sie eine Grillzange zum Wenden des Fleisches und einen Pfannenwender für Burgerfleisch und Fisch. Wenn Sie dafür spitzes Kochbesteck wie eine Gabel nehmen, wird das Fleisch angestochen und der Fleischsaft tritt aus.

# FEHLERBEHEBUNG

Die richtige Reinigung und Wartung verhindert häufige Betriebsprobleme. Wenn Ihr Grill schlecht brennt oder selten gebraucht wird, sind möglicherweise die folgenden Tipps zum Beheben von Problemen hilfreich. Für FAQs besuchen Sie [www.pitboss-grills.com](http://www.pitboss-grills.com). Sie können sich für Hilfe ebenfalls an Ihren Händler vor Ort oder den Kundendienst wenden.

**WARNUNG: Stellen Sie immer sicher, dass der Grill komplett abgekühlt ist, um Verletzungen zu vermeiden.**

PROBLEM	URSACHE	LÖSUNG
Brenner lässt sich nicht anzünden	Das Zündkabel ist kaputt	Wenden Sie sich für Hilfe oder ein Ersatzteil an den Kundendienst.
	Kein Zündfunke an der Elektrode	Stellen Sie die Elektrode ein. Wenden Sie sich für Hilfe oder ein Ersatzteil an den Kundendienst.
	Keine Gaszufuhr	Überprüfen Sie das Reglerventil. Überprüfen Sie die Verbindung auf Leckage.
Fettbrand / häufiges Aufflammen	Grillen von fettem Fleisch	Grillen Sie fettiges Fleisch, wenn die Garfläche kalt ist und die Bedienknöpfe auf LOW stehen.
	Gartemperatur	Versuchen Sie, bei einer niedrigeren Temperatur zu grillen. Fett hat einen Flammpunkt. Halten Sie die Temperatur unter 176 °C / 350 °F, wenn Sie stark fetthaltiges Grillgut garen.
	Wasser auf Gasflammen gesprüht	Sprühen Sie kein Wasser auf die Gasflammen.
Brenner geht aus	Kein Gasfluss	Überprüfen Sie, dass der Gasanschluss offen ist. Tauschen Sie den Gasbehälter aus, wenn er leer ist.
	Windstöße oder starker Wind	Drehen Sie den Grill weg vom Wind oder erhöhen Sie die Flammenhöhe.
Geringe Hitze bei HIGH	Löcher blockiert	Befreien Sie die Löcher von Hindernissen.
	Gasbehälter leer	Füllen Sie den Gasbehälter auf.
Gasleck	Unsachgemäße Montage	Drehen Sie den Reglerknopf in die Position OFF, so dass der Reglerknopf herauskommt. Entfernen Sie den Gasbehälter. Verbinden Sie ihn erneut und schrauben Sie ihn fest. Führen Sie eine Dichtheitsprüfung durch, um eine ordnungsgemäße Abdichtung sicherzustellen. Ersetzen Sie den Gasbehälter, falls er beschädigt ist.
	Dichtungsversagen	Der Gasbehälter ist korrodiert, verrostet oder wurde fehlerhaft gehandhabt. Ersetzen Sie den Gasbehälter.
	Reglerversagen	Der Regler muss ausgetauscht werden. Kontaktieren Sie den Kundendienst für Ersatzteile.
Die Brennerflamme ist gelb oder orange	Unzureichende Luftströmung	Überprüfen Sie das Brennerrohr und die Brenneröffnungen auf Spinnweben oder andere Hindernisse. Befolgen Sie die <b>Pflege- und Wartungsanweisungen</b> zur Reinigung des Brennerrohrs.
	Blockierter Brenner	
	Die Fettauffangschale ist voll, läuft über	Leeren Sie die Fettauffangschale und platzieren Sie sie wieder im Gerät. Befolgen Sie die <b>Pflege- und Wartungsanweisungen</b> .
	Das Reglerventil ist ausgeschaltet	Überprüfen Sie die Verbindung des Reglerventils zum Gasbehälter. Entfernen Sie es und bringen Sie es erneut an. Führen Sie eine Dichtheitsprüfung durch.
	Der Brenner ist verschmutzt	Drehen Sie den Bedienknopf für fünf Minuten auf HIGH und brennen Sie das Gerät aus. Befolgen Sie die <b>Pflege- und Wartungsanweisungen</b> .

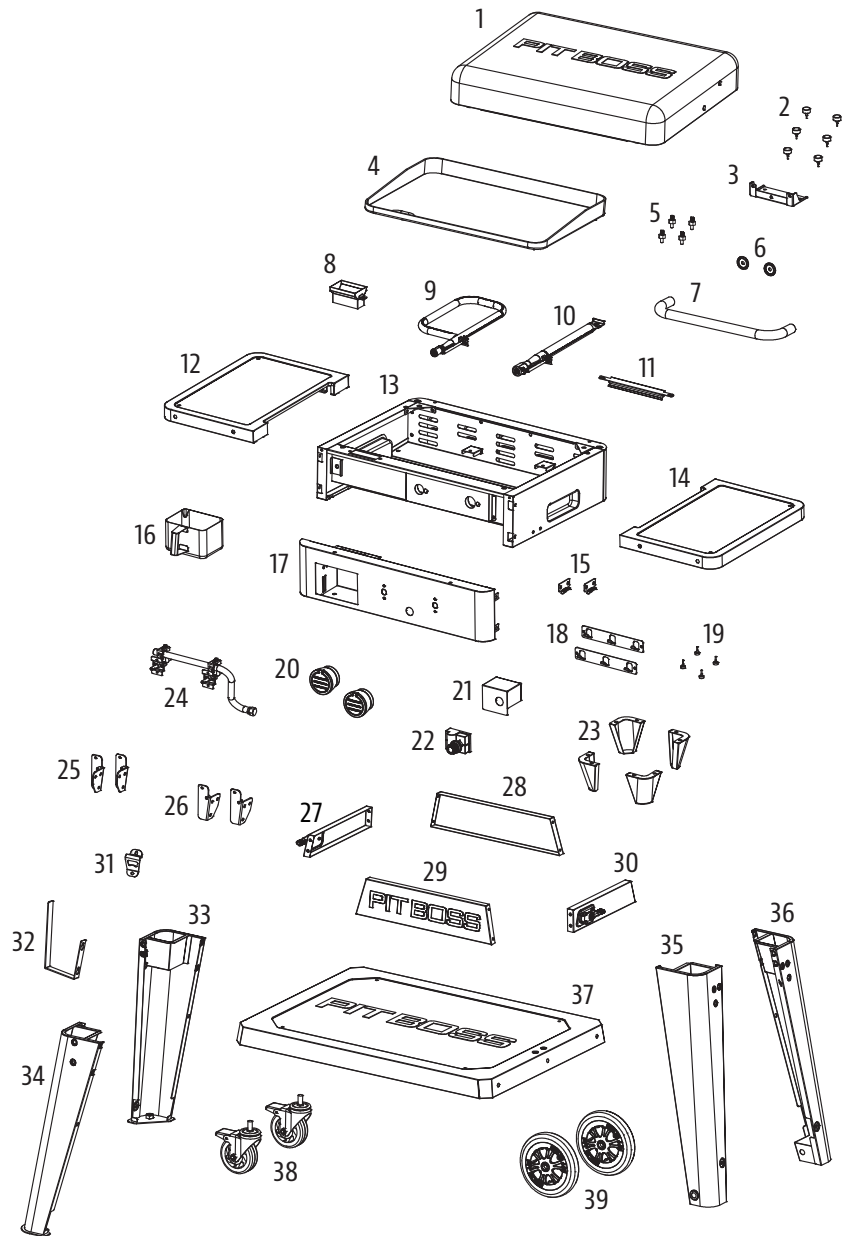
DE  
DEUTSCHE

# ERSATZTEILE

## PB2BGD2

Teil	Beschreibung
1	Deckel (x1)
2	Gummiteile für Deckelhalterung (x6)
3	Deckelhalterung (x1)
4	Grillplatte (x1)
5	Beinschrauben für Grillplatte (x4)
6	Einbauring für Deckelgriff (x2)
7	Deckelgriff (x1)
8	Fettauslauf (x1)
9	P-Brenner (x1)
10	Rechter Brenner (x1)
11	Crossover-Brenner (x1)
12	Seitliche Ablage, links (x1)
13	Feuerkasteneinheit (x1)
14	Seitliche Ablage, rechts (x1)
15	Verriegelungshaken (x2)
16	Fettbehälter (x1)
17	Steuerpanel für Feuerkasten (x1)
18	Hakenleiste für seitliches Regal (x2)
19	Gummiteile für seitliche Ablage (x4)
20	Bedienknopf (x2)
21	Hitzeschutz für Anzünder (x1)
22	Anzünder (x1)
23	FüÙe für Feuerkasten (x4)
24	Ventileinheit (x1)
25	Halterung der Seitenablage, links (x2)
26	Halterung der Seitenablage, rechts (x2)
27	Wagenseite, links (x1)
28	Wagenrückseite (x1)
29	Wagenvorderseite (x1)
30	Wagenseite, rechts (x1)
31	Flaschenöffner (x1)
32	Küchenrollenhalter (x1)
33	Stützbein für Feststellrad, hinten (x1)
34	Stützbein für Feststellrad, vorne (x1)
35	Stützbein für Rolle, vorne (x1)
36	Stützbein für Rolle, hinten (x1)
37	Untere Ablage (x1)
38	Feststellrolle (x2)
39	Rolle (x2)

Teil	Beschreibung
A	Schraube (x37)
B	Unterlegscheibe (x16)
C	Sicherungsscheibe (x16)
D	Schraube (x4)
E	Radsteckerstift (x2)
F	Radunterlegscheibe (x2)
G	Radachsenbolzen (x2)
H	Batterie (x1)



DE

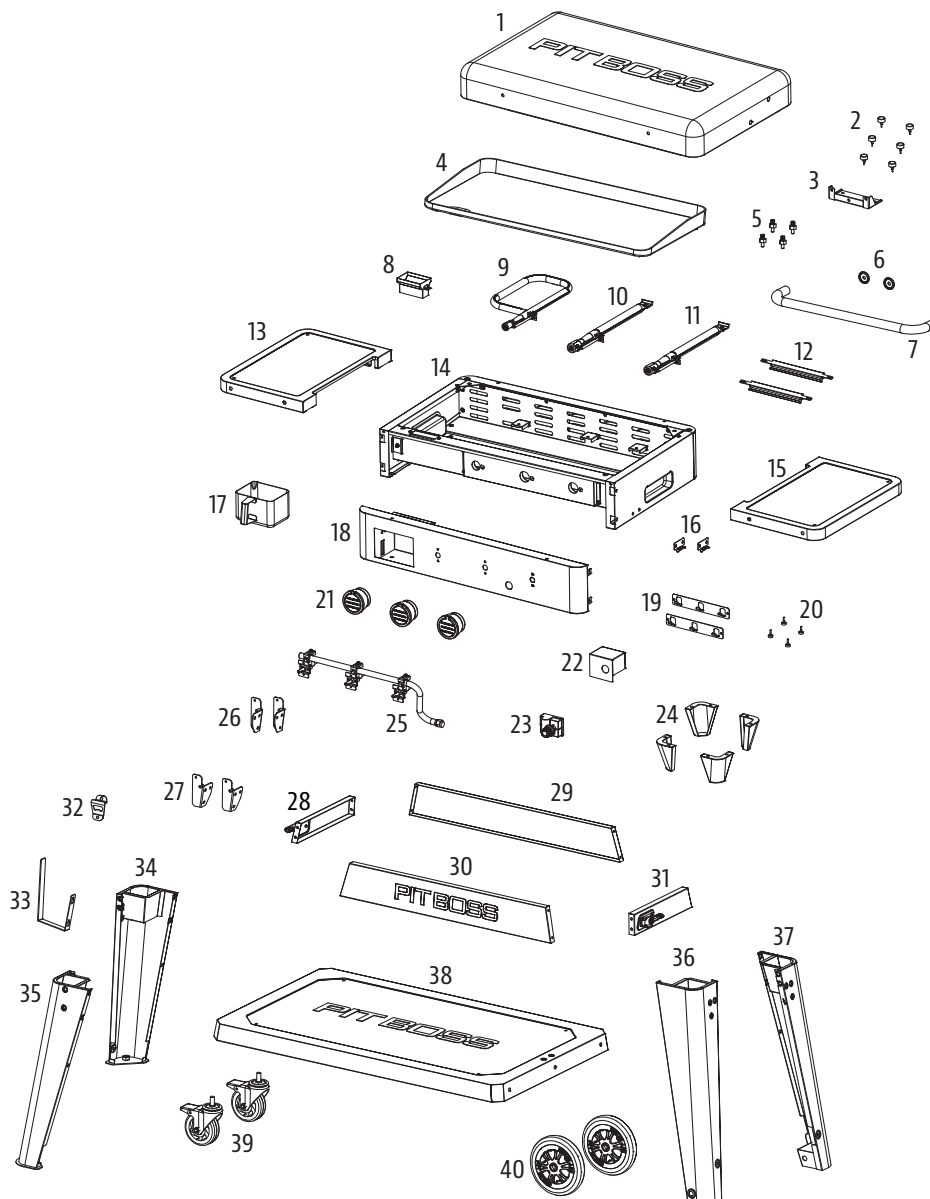
DEUTSCHE

HINWEIS: Aufgrund der kontinuierlichen Produktweiterentwicklung können Teile ohne Ankündigung geändert werden. Wenden Sie sich an den Kundendienst, falls bei der Montage des Geräts Teile fehlen sollten.

# PB3BGD2

Teil	Beschreibung
1	Deckel (x1)
2	Gummitteile für Deckelhalterung (x6)
3	Deckelhalterung (x1)
4	Grillplatte (x1)
5	Beinschrauben für Grillplatte (x4)
6	Einbauring für Deckelgriff (x2)
7	Deckelgriff (x1)
8	Fettauslauf (x1)
9	P-Brenner (x1)
10	Mittlerer Brenner (x1)
11	Rechter Brenner (x1)
12	Crossover-Brenner (x2)
13	Seitliche Ablage, links (x1)
14	Feuerkasteneinheit (x1)
15	Seitliche Ablage, rechts (x1)
16	Verriegelungshaken (x2)
17	Fettbehälter (x1)
18	Steuerpanel für Feuerkasten (x1)
19	Hakenleiste für seitliches Regal (x2)
20	Gummitteile für seitliche Ablage (x4)
21	Bedienknopf (x3)
22	Hitzeschutz für Anzünder (x1)
23	Anzünder (x1)
24	Füße für Feuerkasten (x4)
25	Ventileinheit (x1)
26	Halterung der Seitenablage, links (x2)
27	Halterung der Seitenablage, rechts (x2)
28	Wagenseite, links (x1)
29	Wagenrückseite (x1)
30	Wagenvorderseite (x1)
31	Wagenseite, rechts (x1)
32	Flaschenöffner (x1)
33	Küchenrollenhalter (x1)
34	Stützbein für Feststellrad, hinten (x1)
35	Stützbein für Feststellrad, vorne (x1)
36	Stützbein für Rolle, vorne (x1)
37	Stützbein für Rolle, hinten (x1)
38	Untere Ablage (x1)
39	Feststellrolle (x2)
40	Rolle (x2)

Teil	Beschreibung
A	Schraube (x37)
B	Unterlegscheibe (x16)
C	Sicherungsscheibe (x16)
D	Schraube (x4)
E	Radsteckerstift (x2)
F	Radunterlegscheibe (x2)
G	Radachsenbolzen (x2)
H	Batterie (x1)



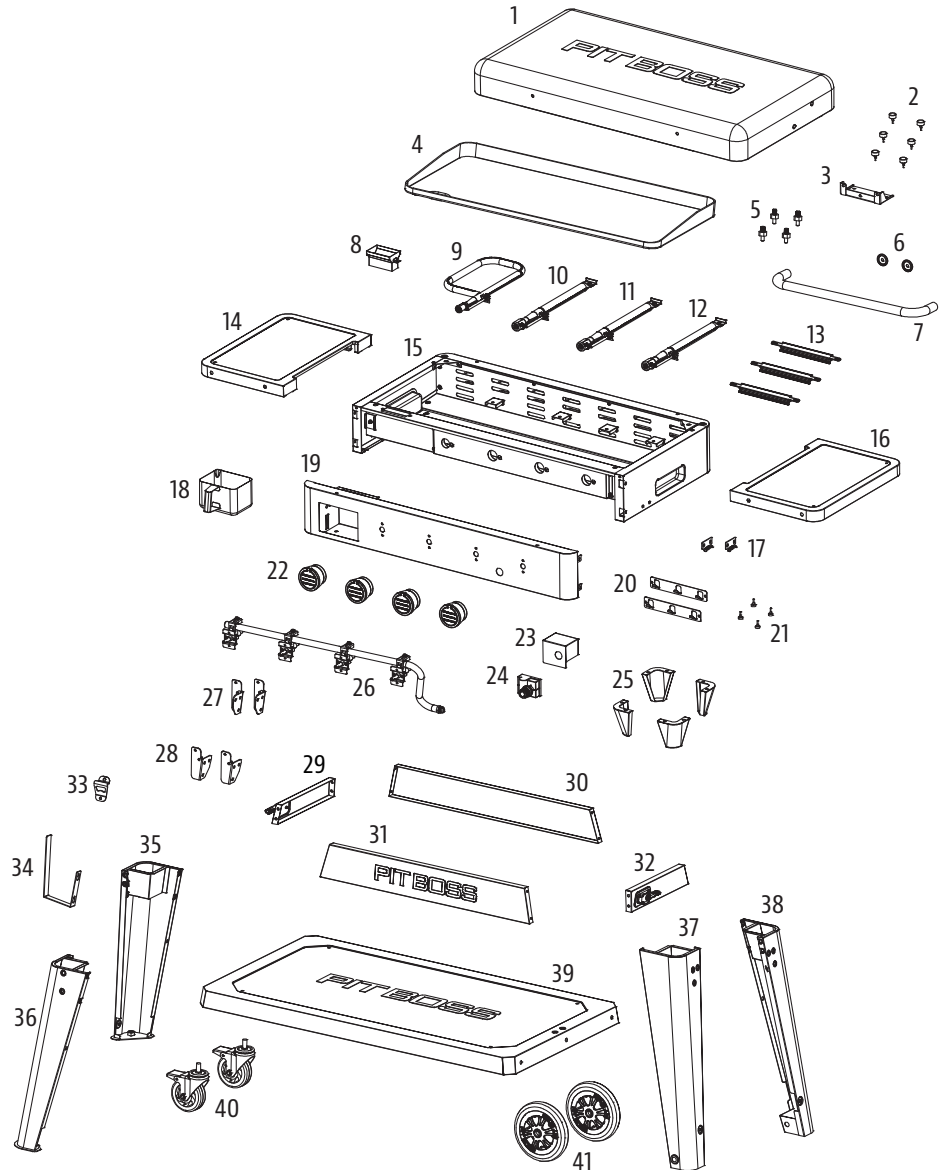
HINWEIS: Aufgrund der kontinuierlichen Produktweiterentwicklung können Teile ohne Ankündigung geändert werden. Wenden Sie sich an den Kundendienst, falls bei der Montage des Geräts Teile fehlen sollten.



# PB4BGD2

Teil	Beschreibung
1	Deckel (x1)
2	Gummitteile für Deckelhalterung (x6)
3	Deckelhalterung (x1)
4	Grillplatte (x1)
5	Beinschrauben für Grillplatte (x4)
6	Einbauring für Deckelgriff (x2)
7	Deckelgriff (x1)
8	Fettauslauf (x1)
9	P-Brenner (x1)
10	Linker Brenner (x1)
11	Mittlerer Brenner (x1)
12	Rechter Brenner (x1)
13	Crossover-Brenner (x3)
14	Seitliche Ablage, links (x1)
15	Feuerkasteneinheit (x1)
16	Seitliche Ablage, rechts (x1)
17	Verriegelungshaken (x2)
18	Fettbehälter (x1)
19	Steuerpanel für Feuerkasten (x1)
20	Hakenleiste für seitliches Regal (x2)
21	Gummitteile für seitliche Ablage (x4)
22	Bedienknopf (x4)
23	Hitzeschutz für Anzünder (x1)
24	Anzünder (x1)
25	Füße für Feuerkasten (x4)
26	Ventileinheit (x1)
27	Halterung der Seitenablage, links (x2)
28	Halterung der Seitenablage, rechts (x2)
29	Wagenseite, links (x1)
30	Wagenrückseite (x1)
31	Wagenvorderseite (x1)
32	Wagenseite, rechts (x1)
33	Flaschenöffner (x1)
34	Küchenrollenhalter (x1)
35	Stützbein für Feststellrad, hinten (x1)
36	Stützbein für Feststellrad, vorne (x1)
37	Stützbein für Rolle, vorne (x1)
38	Stützbein für Rolle, hinten (x1)
39	Untere Ablage (x1)
40	Feststellrolle (x2)
41	Rolle (x2)

Teil	Beschreibung
A	Schraube (x37)
B	Unterlegscheibe (x16)
C	Sicherungsscheibe (x16)
D	Schraube (x4)
E	Radsteckerstift (x2)
F	Radunterlegscheibe (x2)
G	Radachsenbolzen (x2)
H	Batterie (x1)

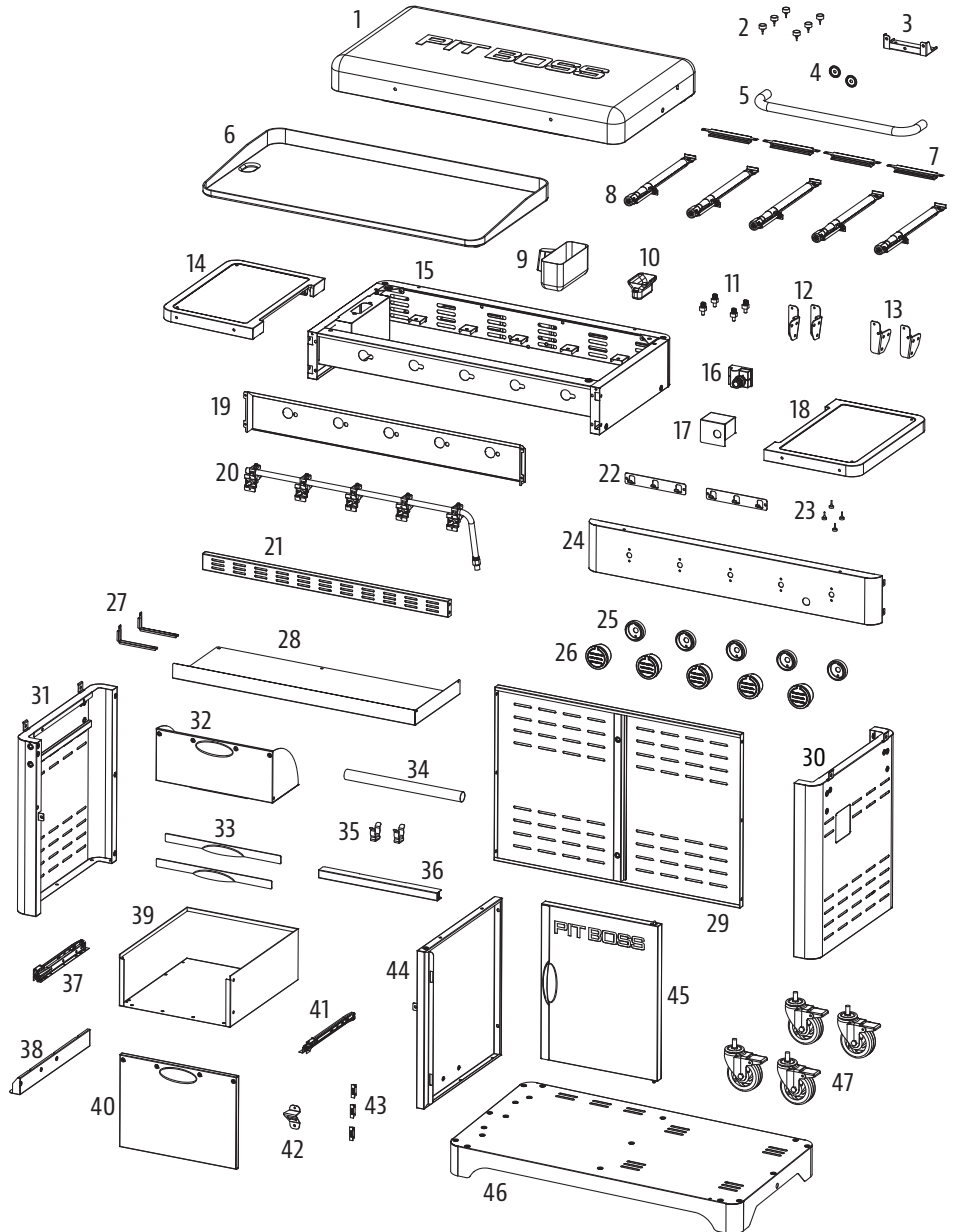
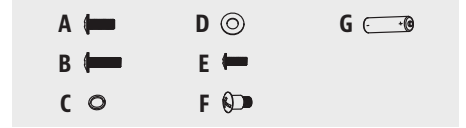


HINWEIS: Aufgrund der kontinuierlichen Produktweiterentwicklung können Teile ohne Ankündigung geändert werden. Wenden Sie sich an den Kundendienst, falls bei der Montage des Geräts Teile fehlen sollten.

# PB5BGD2

Teil	Beschreibung
1	Deckel (x1)
2	Gummiteile für Deckelhalterung (x6)
3	Deckelhalterung (x1)
4	Einbauring für Deckelgriff (x2)
5	Deckelgriff (x1)
6	Grillplatte (x1)
7	Crossover-Brenner (x4)
8	Brenner (x5)
9	Fettbehälter (x1)
10	Fettauslauf (x1)
11	Beinschrauben für Grillplatte (x4)
12	Halterung der Seitenablage, links (x2)
13	Halterung der Seitenablage, rechts (x2)
14	Seitliche Ablage, links (x1)
15	Feuerkasteneinheit (x1)
16	Anzünder (x1)
17	Hitzeschutz für Anzünder (x1)
18	Seitliche Ablage, rechts (x1)
19	Vorderseite Hitzeschutz (x1)
20	Ventileinheit (x1)
21	Wagenvorderseite (x1)
22	Hakenleiste für seitliches Regal (x2)
23	Gummiteile für seitliche Ablage (x4)
24	Steuerpanel für Feuerkasten (x1)
25	Bedienknopfsockel (x5)
26	Bedienknopf (x5)
27	Hitzeschutzhalterung (x2)
28	Hitzeschutzplatte (x1)
29	Wagenrückseite (x1)
30	Wagenseite, rechts (x1)
31	Wagenseite, links (x1)
32	Schwenkbare Schublade (x1)
33	Schubladengriff (x2)
34	Papierhandtuchstange (x1)
35	Arretierung (x2)
36	Schubladenthaltestange (x1)
37	Schubladenschiene, links (x1)
38	Schienenhalterung (x1)
39	Schublade (x1)
40	Schubladenfront (x1)
41	Schubladenschiene, rechts (x1)
42	Flaschenöffner (x1)
43	Magnetverschluss (x3)
44	Wagentrennwand (x1)
45	Schranktür (x1)
46	Wagenboden (x1)
47	Feststellrolle (x4)

Teil	Beschreibung
A	Schraube (x54)
B	Schraube (x2)
C	Sicherungsscheibe (x14)
D	Unterlegscheibe (x14)
E	Schraube (x14)
F	Schraube (x6)
G	Batterie (x1)



HINWEIS: Aufgrund der kontinuierlichen Produktweiterentwicklung können Teile ohne Ankündigung geändert werden. Wenden Sie sich an den Kundendienst, falls bei der Montage des Geräts Teile fehlen sollten.

# GARANTIE

## BEDINGUNGEN

Alle Pfannengrills von Pit Boss® Grills, hergestellt von Dansons, verfügen über eine beschränkte Garantie ab dem Datum des Kaufs durch den Erstbesitzer. Die Garantie beginnt mit dem tatsächlichen Kaufdatum. Der Nachweis des Kaufdatums oder eine Kopie der Originalrechnung sind notwendig, um die Garantieansprüche zu belegen. Kunden haben die Kosten für Teile, den Versand und die Bearbeitung selbst zu tragen, wenn sie keinen Kaufnachweis vorlegen können oder die Garantie abgelaufen ist. Dansons bietet auf alle Teile eine zweijährige (2-jährige) Garantie für Mängel und Verarbeitungsfehler. Dansons garantiert für die Nutzungs- und Eigentumsdauer des Erstkäufers, dass alle Teile frei von Material- und Verarbeitungsfehlern sind. Die Garantie deckt keine Schäden aufgrund von Verschleiß ab, zum Beispiel Kratzer, Dellen, Beulen, Absplitterungen oder geringfügige kosmetische Risse. Diese optischen Veränderungen des Pfannengrills haben keinen Einfluss auf seine Leistung. Die Reparatur oder der Ersatz jeglicher Teile verlängert den beschränkten Garantiezeitraum nicht über die zwei (2) Jahre ab Kaufdatum hinaus.

Für die Dauer der Garantie beschränkt sich Dansons Verpflichtung auf die Bereitstellung eines Ersatzes für fehlerhafte und/oder defekte Komponenten. Innerhalb des Garantiezeitraums berechnet Dansons keine Gebühren für die Reparatur oder den Ersatz von eingesendeten Teilen (bei vorausbezahlem Versand), wenn sich bei der Überprüfung durch Dansons herausstellt, dass die Teile fehlerhaft sind. Dansons haftet nicht für Versandgebühren, Arbeitskosten oder Ausfuhrzölle. Soweit in den Garantiebedingungen nichts Anderes festgelegt wurde, erfüllt die Reparatur oder der Ersatz der Teile in der Art und für die Dauer, die im Vorausgegangen genannt wurden, alle direkten und abgeleiteten Verbindlichkeiten und Verpflichtungen, die Dansons Ihnen gegenüber hat. Dansons ergreift alle Vorsichtsmaßnahmen und verwendet Materialien, die rosthemmend sind. Trotz dieser Sicherheitsmaßnahmen können die schützenden Beschichtungen durch verschiedenste Substanzen und Umstände, auf die Dansons keinen Einfluss hat, beschädigt werden. Hohe Temperaturen, zu hohe Feuchtigkeit, Chlor, industrielle Dämpfe, Düngemittel, Pflanzenschutzmittel für den Rasen und Salz sind einige der Substanzen, die Metallbeschichtungen angreifen können. Aus diesen Gründen erstreckt sich die Garantie nicht auf Rosten oder Oxidieren, es sei denn, die strukturelle Integrität der Komponenten des Pfannengrills geht verloren. Sollte einer der oben genannten Fälle eintreten, lesen Sie im Abschnitt Pflege und Wartung nach, wie die Lebensdauer Ihres Geräts verlängert werden kann. Dansons empfiehlt die Verwendung einer Abdeckung, wenn der Pfannengrill nicht in Gebrauch ist.

Diese Garantie basiert auf dem normalen häuslichen Gebrauch und einer normalen Wartung des Pfannengrills. Für einen Pfannengrill, der für kommerzielle Zwecke verwendet wird, gilt keine der Garantieleistungen.

## AUSNAHMEN

Es gibt keine schriftliche oder implizite Leistungsgarantie für Grillprodukte von Pit Boss®, da der Hersteller keine Kontrolle über Installation, Betrieb, Reinigung, Wartung oder Art des verwendeten Brennstoffs hat. Diese Garantie hat keine Gültigkeit und Dansons wird keine Verantwortung übernehmen, wenn Ihr Gerät nicht streng gemäß diesem Benutzerhandbuch montiert, betrieben, gesäubert und gewartet wurde. Jede Verwendung von Gas, die nicht in diesem Handbuch beschrieben wird, kann den Verfall der Garantie nach sich ziehen. Die Garantie umfasst keine Bruchschäden oder Schäden aufgrund von Missbrauch, falscher Handhabung oder Modifizierungen. Weder Dansons noch autorisierte Pit Boss® Grills-Händler übernehmen rechtliche oder anderweitige Verantwortung für Begleit- oder Folgeschäden am Eigentum oder an Personen, die durch die Verwendung des Produkts entstehen. Wenn aufgrund einer Verletzung dieser Garantie oder jeglicher anderen Art von Garantie, die das Gesetz vorsieht oder impliziert, ein Anspruch gegen Dansons erhoben wird, ist der Hersteller keinesfalls haftbar für Spezial-, Begleit-, Folge- oder andere Schäden jeglicher Art, die über den Originalkauf des Produkts hinausgehen. Alle Garantien des Herstellers sind hierin festgehalten und keinerlei Ansprüche sollen gegen den Hersteller erhoben werden ohne Garantie oder Stellungnahme. Einige Bundesstaaten erlauben keine Ausschlüsse oder Einschränkungen von Begleit- oder Folgeschäden oder Einschränkungen von impliziten Garantien. Daher gelten die Einschränkungen und Ausschlüsse, die in dieser beschränkten Garantie angeführt werden, möglicherweise nicht für Sie. Diese beschränkte Garantie gewährt Ihnen besondere gesetzliche Rechte, und Sie haben möglicherweise weitere Rechte, die von Bundesstaat zu Bundesstaat unterschiedlich sein können.

## ERSATZTEILE BESTELLEN

Zur Bestellung von Ersatzteilen wenden Sie sich an Ihren Pit Boss® Grills-Händler vor Ort oder besuchen Sie unseren Online-Shop unter: [www.pitboss-grills.com](http://www.pitboss-grills.com)

## DEN KUNDENDIENST KONTAKTIEREN

Wenn Sie Fragen oder Probleme haben, wenden Sie sich bitte an den Kundendienst unter: [www.pitboss-grills.com](http://www.pitboss-grills.com)

## GARANTIESERVICE

Wenden Sie sich an den nächsten Pit Boss® Grills-Händler für Reparaturen oder Ersatzteile. Dansons benötigt einen Kaufnachweis, um einen Garantieanspruch zu begründen. Bewahren Sie daher Ihren Originalkaufbeleg oder Ihre Rechnung zur zukünftigen Verwendung auf. Die Serien- und Modellnummer Ihres Pit Boss® finden Sie direkt auf dem Gerät. Notieren Sie die Zahlen unten, da das Etikett mit der Zeit abgegriffen oder unleserlich werden kann.

---

MODELL

---

SERIENNUMMER

---

KAUFDATUM

---

AUTORISIERTER HÄNDLER

---

DE

DEUTSCHE

# INFORMAZIONI SULLA SICUREZZA

LE CAUSE PRINCIPALI DEGLI INCENDI DEGLI APPARECCHI SONO UNA SCARSA MANUTENZIONE E IL MANCATO RISPETTO DELLE DISTANZE NECESSARIE PER I MATERIALI INFIAMMABILI. È DELLA MASSIMA IMPORTANZA CHE QUESTO PRODOTTO VENGA UTILIZZATO SOLO IN CONFORMITÀ ALLE ISTRUZIONI RIPORTATE DI SEGUITO.

Leggere e comprendere l'intero manuale prima di tentare di assemblare, azionare o installare il prodotto. In questo modo sarà possibile utilizzare in modo ottimale la nuova piastra a gas portatile senza inconvenienti. Si consiglia inoltre di conservare questo manuale per riferimento futuro.

## AVVERTENZE SUL GAS PROPANO

### PERICOLO

Se si avverte odore di gas:

- Spegner il gas nell'apparecchio
- Spegner qualsiasi fiamma libera.
- Aprire il coperchio.
- Se l'odore persiste, tenersi a distanza dall'apparecchio e chiamare immediatamente il fornitore di gas o i vigili del fuoco.

### AVVERTENZA

- Non conservare né usare benzina o altri liquidi o vapori infiammabili nelle vicinanze di questo o qualsiasi altri apparecchio.
- Una bombola di gas GPL non collegata per l'uso non dovrebbe essere conservata nelle vicinanze di questo o qualsiasi altri apparecchio.
- Per il funzionamento è necessaria una bombola del gas a propano liquido per griglie standard G30/G31 ("GPL") con riempimento di precisione con filettature esterne della valvola. Il diametro massimo e l'altezza massima della bombola sono di 300 mm (11,8") e 600 mm (23,6").

1. Assicurarsi che la bombola di gas sia stata acquistata da un rivenditore affidabile. Un riempimento incorretto o eccessivo della bombola GPL può essere pericoloso. Le condizioni di riempimento eccessivo combinate al riscaldamento della bombola GPL (un caldo giorno estivo, la bombola lasciata al sole ecc.) possono causare fuoriuscite di gas GPL poiché l'aumento di temperatura causa l'espansione del gas. Il gas disperso dalla bombola è infiammabile e può essere esplosivo.
2. Non usare una bombola a gas GPL se la valvola è stata danneggiata o ci sono segni di ammaccature, graffi, bozze, bruciature, corrosione, perdite, ruggine o altri tipi di danni esterni visibili; può essere pericolosa, e dovrebbe essere controllata immediatamente da un fornitore di GPL.

**Se si avverte odore di gas o si sente il sibilo del gas che esce dalla bombola, non tentare di accendere l'apparecchio. Spegner qualsiasi fiamma libera. Disconnettere dall'alimentazione del carburante.**

3. Non collegare o scollegare la bombola del gas mentre l'unità è in uso o è ancora calda. Quando la piastra non è in uso, assicurarsi che la manopola del regolatore sia ruotata in posizione OFF e scollegare la bombola del gas. Non muovere né trasportare l'unità mentre la bombola del gas è attaccata. Non conservare bombole di GPL sotto o vicino all'attrezzatura.
4. Le bombole devono essere conservate all'aperto fuori dalla portata dei bambini e non devono essere stoccate in un edificio, in garage o in qualsiasi altra area recintata.

5. Non ostruire il flusso di combustione e l'aria di ventilazione dell'apparecchio. Mantenere il tubo del bruciatore e gli obli puliti e sgombri da residui. Pulire prima dell'uso. Per prolungare la durata dell'unità è necessaria una manutenzione regolare.
6. Controllare sempre eventuali perdite di gas durante la connessione o disconnessione del regolatore alla bombola del gas, specialmente dopo un periodo di stoccaggio (ad esempio dopo l'inverno). Controllare eventuali perdite in tutte le connessioni usando acqua saponata e una spazzola. Non usare mai una fiamma libera per controllare le perdite.
7. Pulire e ispezionare il regolatore del gas prima di ogni utilizzo dell'apparecchio a gas per cuocere all'aperto. Sostituire il regolatore del gas prima di usarlo se presenta abrasioni o segni di usura eccessivi.
8. Utilizzare questo apparecchio solo con petrolio liquefatto, come specificato anche nell'etichetta delle caratteristiche tecniche dell'unità. Non tentare di usare la griglia con altri gas. Non tentare di convertire questa unità GPL in una a gas naturale. La mancata osservanza di questa avvertenza può causare incendio, danni fisici e invaliderà la garanzia.
9. La posizione del tubo del bruciatore rispetto all'orifizio è fondamentale per un funzionamento sicuro. Verificare che l'orifizio sia all'interno del tubo del bruciatore prima di utilizzare la piastra a gas. Se il tubo del bruciatore non si adatta all'orifizio della valvola, l'accensione del bruciatore può causare esplosioni e/o incendi.

## PERICOLI E AVVERTENZE

**È necessario contattare l'associazione di proprietari, i funzionari del settore edilizia o i vigili del fuoco locali o l'autorità competente per ottenere i permessi necessari, il mandato o le informazioni su eventuali restrizioni per l'installazione, come l'installazione della griglia su una superficie infiammabile, i requisiti di ispezione o anche la possibilità di utilizzo nella propria area.**

1. È necessario mantenere una distanza minima di 1.270 mm (50") dalle strutture infiammabili ai lati della piastra e di 1.270 mm (50") tra il retro della piastra e le strutture infiammabili. **Non installare l'attrezzatura su pavimenti infiammabili o coperti da superfici infiammabili, a meno che non si ottengano permessi e autorizzazioni adeguati da parte delle autorità competenti.** Non utilizzare questa attrezzatura in ambienti interni o in aree chiuse e non ventilate, all'intero di case, veicoli, tende, garage. La piastra a GPL non deve essere posizionata sotto un soffitto o un oggetto sospeso infiammabile. Conservare la piastra in un'area priva di materiali infiammabili, benzina e altri vapori e liquidi infiammabili.

**Se dovesse bruciare del grasso, spegnere la griglia e lasciare il coperchio chiuso fino a quando il fuoco non si spegne. Scollegare il cavo di alimentazione. Non gettare acqua sull'apparecchiatura. Non cercare di soffocare l'incendio. È utile tenere in loco un estintore approvato di qualsiasi classe (A, B o C). Se si verifica un incendio incontrollato, contattare il corpo dei vigili del fuoco.**

2. Questa griglia per esterni non è pensata per l'installazione su camper o imbarcazioni.

**Non utilizzare mai questo apparecchio in spazi chiusi come camper, tende, auto, barche o case, Questo apparecchio non è pensato e non dovrebbe mai essere usato come calorifero.**

3. L'uso di questo apparecchio non è consigliato per bambini, persone con capacità fisiche, sensoriali o mentali ridotte o mancanza di esperienza e conoscenza, a meno che non siano sotto la supervisione diretta o seguano le istruzioni di una persona responsabile della loro sicurezza.
4. Le parti della griglia possono essere roventi e possono provocare lesioni gravi. Tenere lontani i bambini e gli animali domestici durante l'uso. Non toccare le superfici calde. Utilizzare sempre guanti resistenti al calore, pinze a manico lungo o guanti da cucina, poiché la griglia diventa molto calda. Non spostare l'apparecchiatura durante l'utilizzo.
5. Non utilizzare mai la griglia senza il contenitore del grasso installato e appeso sotto il focolare. Senza il contenitore del grasso, il grasso caldo e i detriti potrebbero fuoriuscire verso il basso e generare pericolo di incendio.

## MONOSSIDO DI CARBONIO ("IL KILLER SILENZIOSO")

Utilizzare sempre l'apparecchio a gas all'esterno in un'area aperta con buona ventilazione per evitare di respirare i fumi tossici della combustione o le perdite di gas. Il monossido di carbonio è un gas incolore, inodore e insapore prodotto dalla combustione di gas, legno, propano, carbone o altro combustibile. Il monossido di carbonio riduce la capacità del sangue di trasportare ossigeno. Bassi livelli di ossigeno nel sangue possono causare mal di testa, vertigini, debolezza, nausea, vomito, sonnolenza, confusione, perdita di coscienza o morte. Seguire le seguenti linee guida per evitare che questo gas incolore e inodore avveleni l'utilizzatore della griglia, la sua famiglia o altre persone:

- Consultare un medico se durante la cottura o in prossimità dell'apparecchio avvertite sintomi simili a quelli del raffreddore o dell'influenza. L'avvelenamento da monossido di carbonio, che può essere facilmente scambiato per un raffreddore o un'influenza, viene spesso scoperto troppo tardi.
- Il consumo di alcol e droghe aumenta gli effetti dell'avvelenamento da monossido di carbonio.

Il monossido di carbonio è particolarmente tossico per la madre e il bambino durante la gravidanza, per i neonati, gli anziani, i fumatori e le persone con problemi del sangue o del sistema circolatorio, come l'anemia, o con malattie cardiache.

## INFORMATIVA SULLA SICUREZZA

In accordo con le procedure e le specifiche sulla Conformità Europea (CE), i test effettuati sugli apparecchi a gas di Pit Boss® Grills ne garantiscono la conformità alle norme e alle direttive che delineano i requisiti di sicurezza, sanitari e di protezione ambientale richiesti dall'UE (Unione europea) e dallo spazio economico europeo (SEE).



	APPORTO TERMICO	NUMERO DI BRUCIATORI		TYPE OF BURNER	DIMENSIONI INIETTORE	GAS/PRESSIONE	PAESE DI UTILIZZO
		BRUCIATORE SEMPLICE	BRUCIATORE A P				
<b>PB2BGD2</b>	7,63 KW G30 – 555 g/h G31 – 545 g/h	1	1	BRUCIATORE SEMPLICE	0,8 mm	G30 a 28-30 mbar G31 a 37 mbar Miscela G30/G31 a 30 mbar	<b>I3+ (28-30/37) :</b> BE, CH, CY, CZ, ES, FR, GB, GR, IE, IT, LT, LU, LV, PT, SK, SI  <b>I3B/P (30) :</b> BE, CY, DK, EE, FR, GB, HU, IT, LT, NL, NO, SE, SI, SK, RO, HR, TR, BG, IS, LU, MT, FI  <b>I3B/P (37) :</b> PL  <b>I3B/P (50) :</b> AT, DE, SK, CH
<b>PB3BGD2</b>	10,5 KW G30 – 768 g/h G31 – 755 g/h	2	1		0,75 mm	Miscela G30/G31 a 37 mbar	
<b>PB4BGD2</b>	13,49 KW G30 – 982 g/h G31 – 964 g/h	3	1		0,72 mm	Miscela G30/G31 a 50 mbar	
<b>PB5BGD2</b>	14,65 KW G30 – 1066 g/h G31 – 1047 g/h	5	0	BRUCIATORE A P	1,02 mm	G30 a 28-30 mbar G31 a 37 mbar Miscela G30/G31 a 30 mbar	
					0,97 mm	Miscela G30/G31 a 37 mbar	
					0,93 mm	Miscela G30/G31 a 50 mbar	



#### AVVISO SUL COPYRIGHT

Copyright 2021. Tutti i diritti riservati. Nessuna parte del presente manuale può essere copiata, trasmessa, trascritta, memorizzata in un sistema di recupero dati, in qualsiasi forma o con qualsiasi mezzo senza espressa autorizzazione scritta di

#### DANSONS EUROPA

11 Rue Galvani Parigi, Francia 75017

#### DANSONS NORD AMERICA

3411 North 5th Avenue, Suite 500, Phoenix, AZ, USA 85013

#### SERVIZIO CLIENTI

[www.pitboss-grills.com](http://www.pitboss-grills.com)

## SOMMARIO

Informazioni sulla Sicurezza .....	82
Collegamento a un'alimentazione a gas	
Requisiti della bombola del gas .....	86
Installazione di un connettore del gas sul collettore .....	86
Collegamento di una bombola del gas .....	87
Preparativi per l'uso - Test anti-fuga .....	88
Scollamento di una bombola di gas .....	88
Istruzioni Operative	
Ambiente della piastra .....	89
Primo utilizzo: sterilizzazione della piastra .....	90
Procedura di accensione .....	90
Procedura di accensione manuale .....	91
Spegnimento della piastra .....	91
Sollevamento della piastra dal carrello .....	92
Utilizzo del supporto per sacco della spazzatura .....	93
Cura e manutenzione .....	94
Suggerimenti e tecniche .....	95
Risoluzione dei problemi .....	96
Parti di ricambio .....	97
Garanzia .....	101

IT

ITALIANO



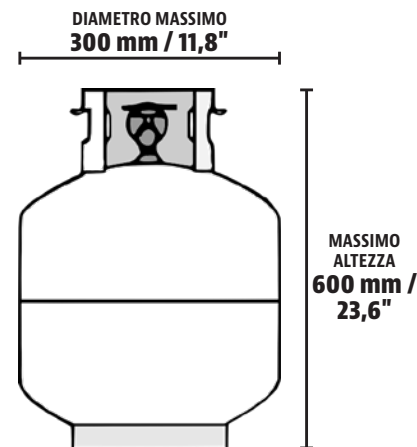
# COLLEGAMENTO A UN'ALIMENTAZIONE A GAS

## REQUISITI DELLA BOMBOLA DEL GAS

Per il funzionamento è necessaria una bombola del gas a propano liquido per griglie standard G30/G31 ("GPL") riempita di precisione con filettature esterne della valvola. Utilizzare un tubo flessibile standard con lunghezza inferiore a 1,5 m (59"). Il tubo deve essere facilmente visibile su tutta la sua lunghezza per l'ispezione dopo l'installazione.

Il diametro massimo e l'altezza massima del cilindro è di 300 mm (11,8") e 600 mm (23,6") come mostrato in figura.

**ATTENZIONE:** per un funzionamento sicuro ed efficiente del barbecue è necessario disporre di un regolatore adeguato che sia conforme alla norma EN16129 e di una bombola. L'uso di un regolatore errato o difettoso è pericoloso e renderà nulla qualsiasi garanzia. È importante ispezionare il tubo in tutta la sua lunghezza. Se sono evidenti abrasioni o segni di usura eccessivi, o il tubo è tagliato, è necessario sostituirlo prima di usare l'apparecchio.



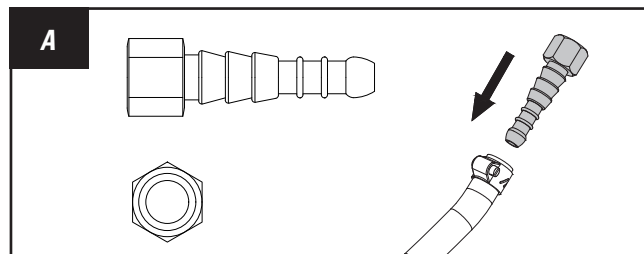
## INSTALLAZIONE DI UN CONNETTORE DEL GAS SUL COLLETTORE

In base alla posizione e al paese di acquisto, non tutti i distributori vendono la piastra con un regolatore incluso. Se non è presente un regolatore del gas preassemblato, viene fornito un kit di transizione del collettore. Selezionare il connettore necessario per il collettore del gas e il tubo del regolatore dal kit di transizione del collettore in dotazione. Per facilitare l'installazione del connettore del gas, sollevare o scollegare la piastra dal carrello. Posizionare a testa in giù su un pezzo di cartone per evitare graffi o danni.

- **CONNETTORE A - CONICO**

Inserire l'estremità più stretta del connettore nel tubo del regolatore, quindi bloccarla con la fascetta.

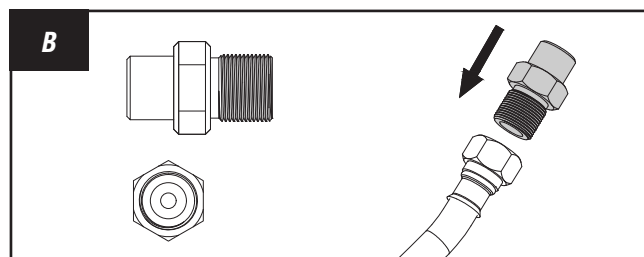
Osservare la figura A.



- **CONNETTORE B - FILETTATO**

Inserire il connettore maschio filettato nell'estremità femmina del tubo del regolatore. Ruotare per serrare completamente.

Osservare la figura B.



Andare al passaggio successivo per l'installazione della bombola del gas. Tenere la piastra staccata dal carrello.

## COLLEGAMENTO DI UNA BOMBOLA DEL GAS

**IMPORTANTE:** se il collettore richiede un connettore, seguire le istruzioni di installazione del connettore prima di collegare l'unità a una bombola del gas.

Prima del collegamento, assicurarsi che non vi siano detriti incastrati nella testa della bombola del gas, nella testa della valvola del regolatore o nella testa del bruciatore e nelle bocche del bruciatore.

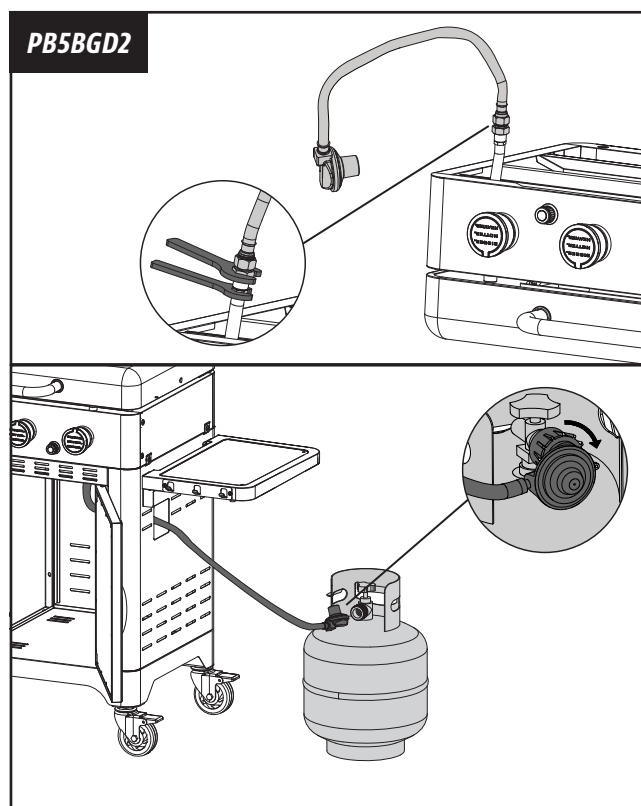
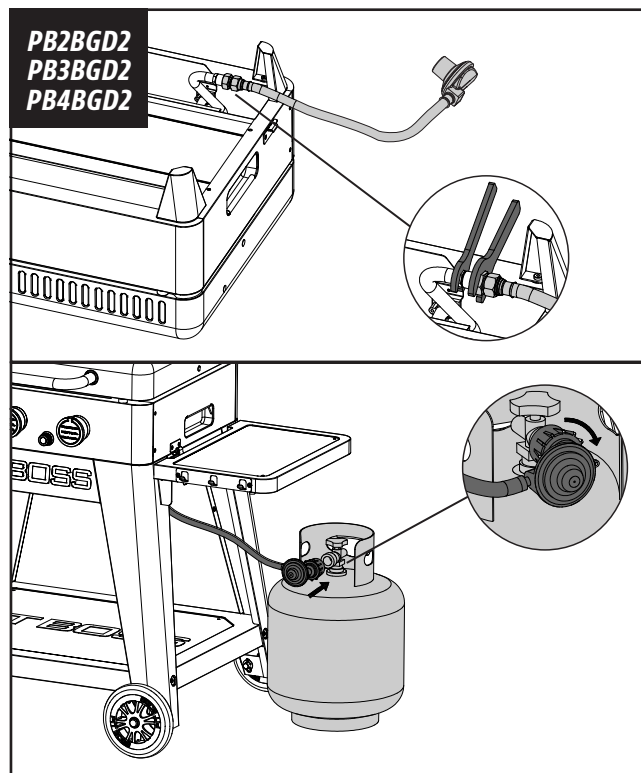
1. Se il regolatore è preinstallato, andare al passaggio successivo.

Se è stato installato un connettore del kit di transizione del collettore, tenere la piastra staccata dal carrello per l'installazione del regolatore. Collegare il tubo del regolatore al collettore della piastra serrando fino in fondo con una chiave. Reinstallare la piastra sul carrello una volta installati il regolatore e il tubo del regolatore. Assicurarsi che il tubo del regolatore non sia attorcigliato o schiacciato una volta riposizionata la piastra sul carrello.

2. Per la piastra con armadio, introdurre il regolatore e il relativo tubo nell'apertura sulla parete destra del carrello.
3. Posizionare una bombola del gas accanto al carrello sul lato destro. Assicurarsi che la valvola della bombola del gas sia nella posizione CLOSED. È importante assicurarsi che la bombola del gas sia completamente verticale perché non è sicuro azionare la piastra se la bombola del gas è inclinata o non si trova su una superficie stabile.
4. Assicurarsi che le manopole di regolazione sulla piastra siano completamente chiuse girando la manopola in senso orario fino alla posizione di spegnimento "O" (OFF).
5. Rimuovere i coperchi protettivi dall'apertura della valvola del regolatore e dalla parte superiore della bombola del gas. Conservare i coperchi.
6. Inserire la valvola della bombola del gas nell'apertura filettata della valvola del regolatore. Ruotare in senso orario il dado di attacco rapido finché non è bloccato. Serrare solo a mano.
7. La bombola del gas è installata. Eseguire il test anti-fuga.

**AVVERTENZA:** spegnere la bombola del gas se si sente odore di gas. Tentare di reinstallare la bombola del gas per verificare che il tubo sia collegato correttamente. Eseguire il test anti-fuga.

**NOTA:** il normale flusso di gas attraverso il regolatore e il gruppo del tubo può produrre un sibilo. Un lieve rumore è perfettamente normale e non interferisce con il funzionamento della piastra. Se il sibilo è forte ed eccessivo, potrebbe essere necessario far fuoriuscire l'aria dalla linea del gas o ripristinare il dispositivo del flusso di gas in eccesso del regolatore. Questa procedura di spurgo dovrebbe essere eseguita ogni volta che un nuovo serbatoio di GPL viene collegato alla piastra.



## PREPARATIVI PER L'USO - TEST ANTI-FUGA

Si utilizza un test anti-fuga per determinare l'integrità di una guarnizione. Prima di usare la griglia a gas condurre un test anti-fuga sul collegamento tra il regolatore e la bombola del gas per ridurre il rischio di seri danni fisici o morte, dovuti a incendi o esplosioni. Un test anti-fuga dovrebbe essere condotto almeno una volta per stagione, ad esempio:

- prima di accendere la griglia per la prima volta,
- ogni volta che la bombola del gas viene sostituita,
- dopo un viaggio, specialmente se su strade sconnesse o accidentate,
- dopo un periodo prolungato di conservazione senza utilizzo.

### COME CONDURRE UN TEST ANTI-FUGA

#### Occorrente:

- 1 x Ciotola (*vuota e pulita*)
  - 1 x Pennello per pittura (*pulito*)
- Detersivo liquido per stoviglie  
Acqua

#### Procedura:

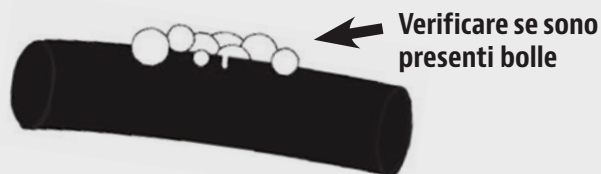
1. Posizionare la griglia in una zona ben ventilata. Assicurarsi che la griglia sia fredda al tatto e non in uso. Verificare che la valvola del regolatore sia girata nella posizione OFF e che la bombola del gas sia stretta saldamente al regolatore.

**IMPORTANTE: assicurarsi che non ci siano fiamme libere o fumatori nelle vicinanze.**

2. Creare una soluzione mescolando una parte di acqua con una parte di detersivo liquido per stoviglie in una ciotola. La soluzione farà delle bolle, essendo concentrata.
3. Usare un pennello da pittura per applicare la soluzione sulla guarnizione tra il regolatore e la bombola del gas. Ispezionare visivamente se fuoriescono scie di bolle da un difetto o rottura nella guarnizione.

**NOTA: se viene rilevata una perdita, ripetere la procedura di installazione della bombola del gas, ma non stringere troppo. Serrare solo manualmente. Ripetere il test anti-fuga dopo la seconda installazione per verificare che la guarnizione sia sicura.**

**IMPORTANTE: non utilizzare la griglia a gas se si nota una perdita di gas che non può essere corretta usando la procedura del test anti-fuga. Contattare il corpo dei vigili del fuoco o il servizio clienti per misure alternative di condurre test per garantire le dovute precauzioni.**



## SCOLLEGAMENTO DI UNA BOMBOLA DI GAS

1. Assicurarsi che la manopola di controllo sulla griglia sia completamente chiusa ruotandola fino alla posizione OFF. Ruotare la valvola della bombola del gas GPL in posizione CHIUSA e lasciare che la manopola del regolatore fuoriesca.
2. Ruotare la bombola in senso antiorario (manualmente) per scollegarla dall'apertura della valvola del regolatore. Riposizionare i coperchi protettivi sull'apertura della valvola del regolatore e dalla parte superiore della bombola del gas per metterla da parte (se non è vuota).

**NOTA: se si ripone la piastra al chiuso, lasciare la bombola del gas all'aperto.**

**AVVERTENZA: non trasportare la griglia con la bombola del gas attaccata. La valvola può allentarsi dalla bombola e causare una fuoriuscita di gas che potrebbe causare esplosione, incendio o gravi danni fisici. Disconnettere la bombola del gas prima di viaggiare o di mettere da parte la griglia. Se la griglia viene conservata all'interno, lasciare la bombola del gas all'esterno.**

# ISTRUZIONI OPERATIVE

## AMBIENTE DELLA PIASTRA

### 1. DOVE ALLESTIRE LA PIASTRA

Come per tutti gli elettrodomestici all'aperto, le condizioni meteorologiche esterne svolgono un ruolo importante per le prestazioni della piastra e il tempo di cottura necessario per una cottura perfetta. Tutte le unità Pit Boss® Grills devono rispettare una distanza minima di 1.270 mm (50 pollici) dalle strutture infiammabili e questa distanza deve essere mantenuta quando l'unità è in funzione. Questa attrezzatura non deve essere posizionata sotto un soffitto o un oggetto sospeso infiammabile. Conservare la piastra in un'area priva di materiali infiammabili o altri vapori e liquidi infiammabili.

### 2. COTTURA QUANDO FA FREDDO

Anche se fuori rinfresca, la stagione dei barbecue non è certo finita! L'aria fresca e la fragranza paradisiaca degli alimenti grigliati sono un rimedio ai malumori invernali. Seguire questi suggerimenti su come utilizzare la griglia durante i mesi più freddi:

- Organizzarsi - Preparare tutto l'occorrente in cucina prima di uscire all'aperto. Durante l'inverno, spostare la griglia in un'area non esposta al vento e al freddo diretto. Controllare le disposizioni locali in materia di vicinanza della griglia alla casa e/o ad altre strutture. Porre tutto l'occorrente su un vassoio, impacchettarlo bene e mettersi all'opera!
- Per monitorare meglio la temperatura esterna, posizionare un termometro all'aperto vicino all'area di cottura. Tenere un diario degli alimenti cucinati, della temperatura esterna e del tempo di cottura. Il diario si rivelerà utile successivamente per determinare che cosa cucinare e quanto tempo richiederà la cottura.
- Preparare un piatto riscaldato o un coperchio per il piatto per mantenere caldo il cibo quando si torna all'interno.

### 3. COTTURA QUANDO FA CALDO

Poiché fa più caldo all'aperto, il tempo di cottura diminuirà. Seguire questi suggerimenti su come utilizzare la griglia durante i mesi caldi:

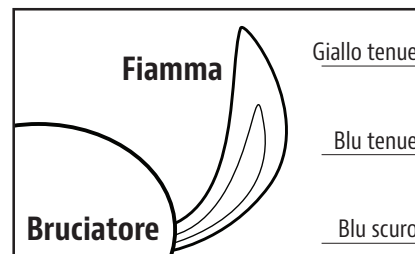
- Ridurre le temperature di cottura. Si eviterà di bruciare il cibo inavvertitamente.
- Usare un termometro per carne per determinare la temperatura interna degli alimenti. Si eviterà di cuocere e asciugare troppo le carni.
- Si possono mantenere caldi gli alimenti avvolgendoli in un foglio di alluminio e disponendoli in un contenitore termico. Disporre carta di giornale appallottolata intorno al foglio di alluminio per mantenere il cibo caldo per 3-4 ore.

## PRIMO UTILIZZO: STERILIZZAZIONE DELLA PIASTRA

Prima di utilizzare la piastra con gli alimenti per la prima volta, è importante sterilizzarla. Accendere la piastra e farla funzionare per 15 minuti almeno su HIGH per sterilizzare l'unità. In questo modo le parti interne verranno "pulite con il calore", gli odori verranno dispersi e verranno rimossi eventuali materiali estranei.

## PROCEDURA DI ACCENSIONE

1. Tenere sollevato il coperchio durante l'accensione.
2. Impostare tutte le manopole di regolazione in posizione "O".
3. Aprire la valvola della bombola/del gas in base alle istruzioni operative sul serbatoio.
4. Spingere e ruotare la manopola di regolazione della combustione in senso antiorario su "🔥" (posizione di accensione)".
5. Premere il pulsante del dispositivo di accensione finché il bruciatore non si accende.
6. Se l'accensione non si verifica entro 5 secondi, ruotare la valvola su "O", attendere 5 minuti e ripetere la procedura di accensione. Dopo l'accensione, osservare la fiamma del bruciatore. Assicurarsi che tutte le bocchette del bruciatore siano accese e che l'altezza della fiamma corrisponda a quella mostrata in figura.
7. Se uno qualsiasi dei punti precedenti non si verifica, eseguire la **procedura di accensione manuale**.



**Se il bruciatore si spegne, ruotare le manopole di regolazione nella posizione "O" (OFF). Attendere cinque minuti prima di riaccendere per permettere al gas accumulato di disperdersi.**

## PROCEDURA DI GUASTO DEL DISPOSITIVO DI ACCENSIONE

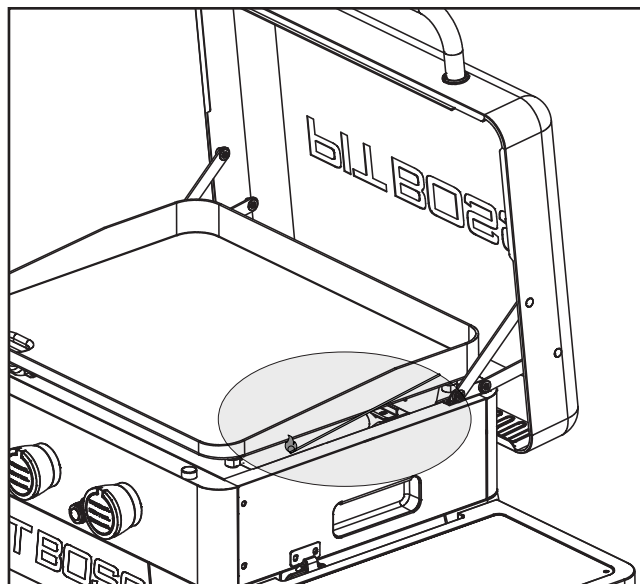
**Se per qualsiasi motivo il dispositivo di accensione fallisce dopo tre o quattro tentativi, eseguire i seguenti passaggi o avviare la griglia utilizzando il metodo manuale.**

1. Assicurarsi che le manopole di controllo siano in posizione OFF. Consentire al gas accumulato di disperdersi.
2. Dopo cinque minuti controllare quanto segue:
  - Verificare visivamente che il dispositivo di accensione funzioni premendo il pulsante del dispositivo di accensione e controllando che esca una scintilla dalla punta del dispositivo. Se non si produce una scintilla, regolare la distanza tra la punta del dispositivo di accensione (elettrodo) e il bruciatore a 4,5 mm.
  - Confermare visivamente che il tubo del bruciatore e gli oblò non siano ostruiti. Se sono bloccati, seguire le istruzioni di cura e manutenzione.
3. Se uno qualsiasi dei punti precedenti non si verifica, seguire le istruzioni per la risoluzione dei problemi.

## PROCEDURA DI ACCENSIONE MANUALE

1. Tenere sollevato il coperchio durante l'accensione.
2. Impostare tutte le manopole di regolazione in posizione "0".
3. Aprire la valvola della bombola/del gas in base alle istruzioni operative sul serbatoio.
4. Rapidamente e con cautela, usare un fiammifero acceso o un accendino a becco lungo per accendere il bruciatore. Accedere al bruciatore da sotto la piastra riscaldante. Posizionare il fiammifero acceso di lato vicino al bruciatore.

**ATTENZIONE: non tentare di accendere un'altra area del bruciatore per evitare incidenti.**



5. Spingere e ruotare la manopola di regolazione del bruciatore in senso antiorario su "🔥" (posizione di accensione) e tenere premuta questa manopola per 10 secondi dopo l'accensione del bruciatore. Si avvertirà lo "sfrigolio" della scintilla fino a quando non si rilascia la manopola.

**NOTA: non usare alcool, liquido infiammabile o cherosene per accendere o ravvivare il fuoco sulla piastra.**

6. Se il bruciatore non si accende entro 5 secondi, ruotare la manopola di regolazione del bruciatore su "0", attendere 5 minuti e ripetere la procedura di accensione. Dopo l'accensione, osservare la fiamma del bruciatore. Assicurarsi che tutte le bocchette del bruciatore siano accese e che l'altezza della fiamma corrisponda a quella mostrata in precedenza.

**NOTA: ciascun bruciatore si accende in modo indipendente; ripetere gli stessi passaggi per gli altri bruciatori.**

**ATTENZIONE: non sporgersi mai sull'area di cottura mentre si accende la piastra a gas. Mantenere il viso e il corpo a una distanza di sicurezza (almeno 457 mm / 18 pollici) dalla superficie della griglia di cottura quando si accende la piastra con un fiammifero.**

7. Se uno qualsiasi dei punti precedenti non si verifica, consultare *Risoluzione dei problemi*.

## SPEGNIMENTO DELLA PIASTRA

1. Una volta completata la cottura, ruotare la valvola della bombola del gas nella posizione di chiusura CLOSED e attendere che la manopola del regolatore sporga in fuori. Questa funzione di sicurezza blocca la manopola del regolatore per garantire che il gas non fluisca più.
2. Ruotare le manopole nella posizione "0".

**NOTA: un suono simile a uno sbuffo è normale quando viene bruciato l'ultimo residuo di gas.**

3. Scollegare il gas seguendo le istruzioni in *Scollegamento della bombola del gas*.

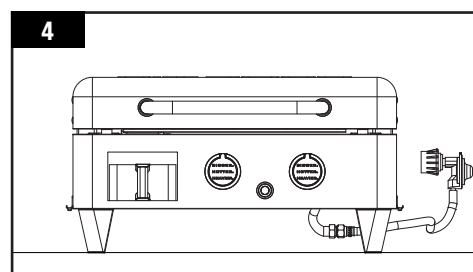
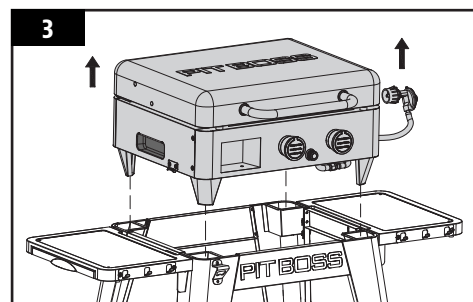
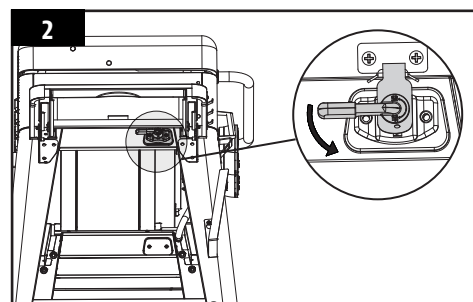
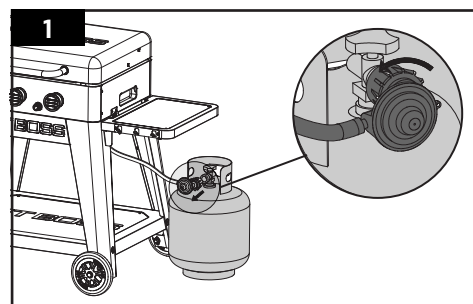
**AVVERTENZA: lasciar raffreddare completamente la piastra e rimuovere la bombola del gas prima di riporre o spostare la piastra o di mettersi in viaggio.**

# SOLLEVAMENTO DELLA PIASTRA DAL CARRELLO

Le piastre modello PB2BPGG, PB3BPGG e PB4BPGG possono essere sollevate rapidamente e facilmente dal carrello per un picnic o un viaggio. Eseguire semplicemente le istruzioni di montaggio in ordine inverso o la breve procedura seguente:

**IMPORTANTE: assicurarsi sempre che la piastra si sia completamente raffreddata, sia scollegata dal gas e che il contenitore del grasso sia stato rimosso.**

1. Scollegare l'unità dal gas. Staccare il gruppo del regolatore di pressione dalla valvola della bombola ruotando il dado di attacco rapido in senso antiorario.
2. Ruotare i fermi (uno su ciascun lato) per sbloccare il focolare dal carrello.
3. Con l'aiuto di un'altra persona, sollevare con cautela la piastra dal carrello utilizzando i solchi incassati su ogni lato. Prestare particolare attenzione al regolatore e al tubo flessibile durante il sollevamento.
4. Collocare immediatamente il focolare a terra o nella posizione desiderata per evitare di ferirsi o di danneggiare l'unità.



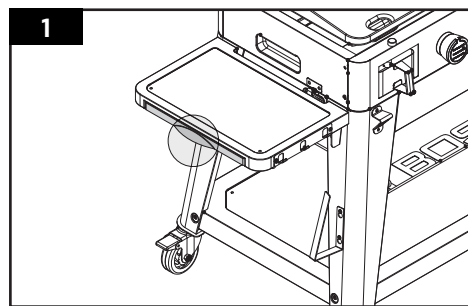


## UTILIZZO DEL SUPPORTO PER SACCO DELLA SPAZZATURA

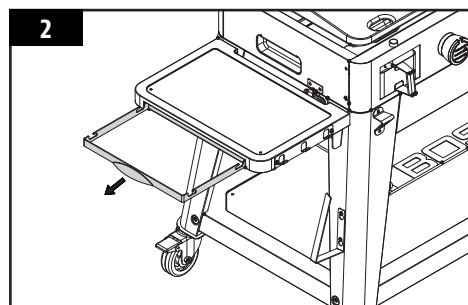
La raccolta dei rifiuti non è mai stata così facile con il supporto per sacco della spazzatura. Situato sotto il ripiano laterale sinistro, questo telaio in acciaio inossidabile è facile da pulire e funziona con un normale sacchetto della spesa in plastica di dimensioni normali, in genere di circa 10-20 litri di volume. Il telaio è inoltre progettato per contenere la maggior parte dei sacchi della spazzatura standard (con o senza maniglie) fino a 60 litri di volume.

**IMPORTANTE: notare quanto peso viene caricato nel sacco della spazzatura sull'apposito supporto. Cambiare spesso il sacco per evitare di compromettere l'integrità della struttura e dei componenti del supporto per sacco della spazzatura.**

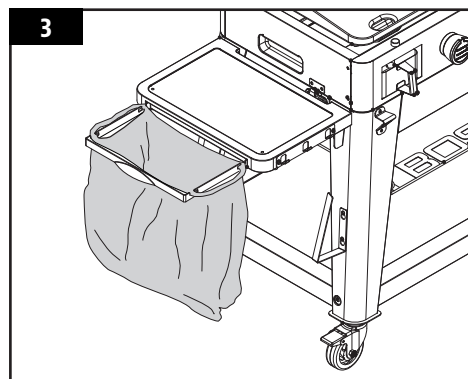
1. Individuare l'impugnatura del supporto per sacco della spazzatura sul ripiano laterale sinistro.



2. Estrarre il supporto per sacco della spazzatura per esporre le staffe del telaio.



3. Applicare una borsa della spesa di plastica o un sacco della spazzatura standard sul supporto per sacco della spazzatura. Avvolgere le maniglie di una borsa della spesa intorno alle staffe del telaio o avvolgere un sacco della spazzatura attorno a tre lati del telaio per tenerlo fermo.



# CURA E MANUTENZIONE

## CONTROLLO DEL LIVELLO DEL GAS

Per controllare la quantità di carburante nella bombola del gas GPL, la griglia deve essere in funzione. Posizionare la mano sulla parte superiore della bombola del gas e spostarsi lentamente verso il basso sul lato fino a quando la bombola non è fredda al tatto. Questo indicherà la quantità approssimativa di gas nella bombola; se è vuota per  $\frac{3}{4}$ , sostituirla con una bombola del gas piena.

**IMPORTANTE: non utilizzare blocchetti di carbonella o materiale infiammabile con la griglia. L'uso di tale materiale invaliderà la garanzia e potrebbe portare a incendi, esplosioni e danni fisici.**

## FREQUENZA DELLA PULIZIA

Qualsiasi unità Pit Boss® offrirà molti anni di deliziose cotture con una minima pulizia. Seguire questi suggerimenti per la pulizia e la manutenzione della griglia:

### 1. COMPONENTI DEL BRUCIATORE

- Pulire il bruciatore ogni volta che si rilevano forti accumuli, per garantire che non vi siano segni di intasamento (detriti, insetti) sul tubo o negli oblò del bruciatore. Dopo lunghi periodi di mancato utilizzo, ragni o piccoli insetti possono costruire nidi, ragnatele e deporre uova nel tubo del bruciatore, ostacolando il flusso di gas verso il bruciatore. Un tubo intasato può dar luogo a un incendio sotto l'apparecchiatura. In caso di conservazione della griglia o prima di un periodo prolungato di non utilizzo, rimuovere il bruciatore e avvolgere con un foglio di alluminio per ridurre il rischio che gli insetti penetrino nei fori del bruciatore.
- Il bruciatore è stato preimpostato per una prestazione ottimale della fiamma. Una fiamma blu, possibilmente con una piccola punta gialla, è il risultato della miscela ottimale di aria e gas. Se le fiamme sono eccessivamente gialle, arancioni o irregolari, pulire i depositi di olio e di cibo sulla superficie del bruciatore e gli oblò del bruciatore per aumentare il flusso d'aria.

### 2. COMPONENTI DI COTTURA

- La piastra riscaldante della tua piastra è rivestita in ceramica. I migliori utensili da utilizzare sono legno, silicone o nylon, poiché questi materiali ridurranno l'usura sulla superficie di cottura.
- L'unità viene fornita pre-stagionata dalla fabbrica, ma è importante pulire e condire la piastra riscaldante dopo ogni utilizzo per prevenire la ruggine, prolungare la durata della piastra e creare una superficie di cottura antiaderente. La stagionatura della piastra è un processo continuo che deve essere ripetuto per tutta la vita della vostra piastra per garantire la migliore esperienza di cottura e la più lunga durata di utilizzo.
  1. Pulire la piastra riscaldante dopo ogni utilizzo, utilizzando una spatola o un raschietto per rimuovere tutto il cibo e i detriti.
  2. Applicare abbondantemente uno strato uniforme di olio da cucina sulla superficie di cottura. Gli oli vegetali, di oliva, di arachidi, di cocco e di sesamo sono tutti adatti per condire la tua piastra.
  3. Lasciare raffreddare in un luogo fresco e asciutto.

### 3. ESTERNO DELLA PIASTRA

- Tutte le viti e i bulloni devono essere controllati regolarmente. Serrare secondo necessità.
- Utilizzare una copertura per piastra per una protezione completa della piastra. Una copertura è la migliore protezione contro le intemperie e gli agenti inquinanti esterni. Quando l'unità non è in uso o viene riposta per un lungo periodo di tempo, conservare l'unità coperta in un garage o in un capanno, con la bombola del gas rimossa (deve essere conservata all'aperto).

**TABELLA CON LE FREQUENZE DELLA PULIZIA (USO NORMALE)**

ELEMENTO	FREQUENZA DELLA PULIZIA	METODO DI PULIZIA
Piastra riscaldante	Dopo ogni uso	Bruciare l'eccesso, strofinare con spugna e acqua e sapone, condire con olio da cucina
Vassoio di raccolta grasso	Dopo ogni uso	Svuotare, strofinare con spugna e acqua e sapone
Tube del bruciatore, oblò	Ogni 5-6 utilizzi	Spolverare, strofinare con spugna e acqua e sapone
Bruciatori	Ogni 5-6 utilizzi	Strofinare con spugna e acqua e sapone
Carrello	Secondo necessità	Panno non abrasivo con acqua e sapone

## SUGGERIMENTI E TECNICHE

Seguire questi utili suggerimenti e tecniche, forniti dai titolari di Pit Boss®, dal nostro personale e da altri clienti per acquisire maggiore familiarità con la griglia:

### 1. SICUREZZA ALIMENTARE

- Conservare tutti gli alimenti in cucina e tenere l'area di cottura pulita. Utilizzare piatti e utensili diversi per la carne cotta rispetto a quelli utilizzati per preparare o trasportare la carne cruda fino alla griglia. In questo modo si eviterà la contaminazione crociata da batteri. Ogni marinata o salsa per ungere gli alimenti dovrebbe avere un utensile dedicato.
- Mantenere caldi gli alimenti caldi (al di sopra di 60 °C/140 °F) e mantenere freddi i cibi freddi (al di sotto di 3 °C/37 °F). Gli alimenti cotti non dovrebbero essere lasciati fuori al caldo per più di un'ora. Non lasciare alimenti caldi fuori dal frigorifero per più di due ore.
- La marinata non deve mai essere conservata per essere utilizzata in un secondo momento. Se si ha intenzione di usarla per accompagnarla alla carne, ricordarsi di portarla a ebollizione prima di servire.
- Scongelare e marinare le carni mediante refrigerazione. Non scongelare la carne a temperatura ambiente o su un piano di lavoro. I batteri possono svilupparsi e moltiplicarsi rapidamente negli alimenti caldi e umidi. Lavarsi accuratamente le mani con acqua calda e sapone prima di iniziare a preparare i pasti e dopo aver toccato carne fresca, pesce e pollame.

### 2. OPERAZIONI PRELIMINARI ALLA COTTURA

- Eseguire tutte le operazioni preliminari o **Mise en Place**. Preparare la ricetta, il combustibile, gli accessori, gli utensili e tutti gli ingredienti necessari accanto alla griglia prima di iniziare a cucinare. Inoltre, leggere l'intera ricetta, dall'inizio alla fine, prima di accendere la griglia.
- Un tappetino per barbecue è molto utile per proteggere un pavimento in legno, un patio o una superficie in pietra da macchie di grasso o liquidi versati accidentalmente, tenuto conto della possibilità di errori durante la manipolazione degli alimenti e schizzi di cottura.

### 3. SUGGERIMENTI E TECNICHE DI COTTURA ALLA GRIGLIA

- Usare sempre un termometro per carni per determinare la temperatura interna degli alimenti in cottura. È una buona idea posizionare il cibo cotto su un piatto riscaldato, che mantiene il cibo caldo. Le carni rosse, come bistecche e arrostiti, migliorano se lasciate riposare per alcuni minuti prima di servire. In questo modo, infatti, i succhi spinti in superficie dal calore hanno il tempo di essere riassorbiti dalla carne, conferendole più sapore.
- È preferibile applicare le salse che contengono zucchero a fine cottura per evitare di bruciare o carbonizzare gli alimenti.
- Utilizzare pinze a manico lungo per girare le carni e una spatola per girare hamburger e pesce. Se si utilizzano utensili che forano, come le forchette, la carne verrà punta e i suoi succhi si disperderanno.

# RISOLUZIONE DEI PROBLEMI

Una corretta pulizia e manutenzione previene i comuni problemi di funzionamento. Se la griglia viene utilizzata in modo non corretto o con minor frequenza, possono risultare utili i seguenti suggerimenti per la risoluzione dei problemi. Per le domande frequenti, visitare il sito [www.pitboss-grills.com](http://www.pitboss-grills.com). È inoltre possibile rivolgersi al proprio rivenditore locale o al Servizio clienti per ricevere assistenza.

**AVVERTENZA: assicurarsi sempre che la griglia si sia raffreddata completamente per evitare incidenti.**

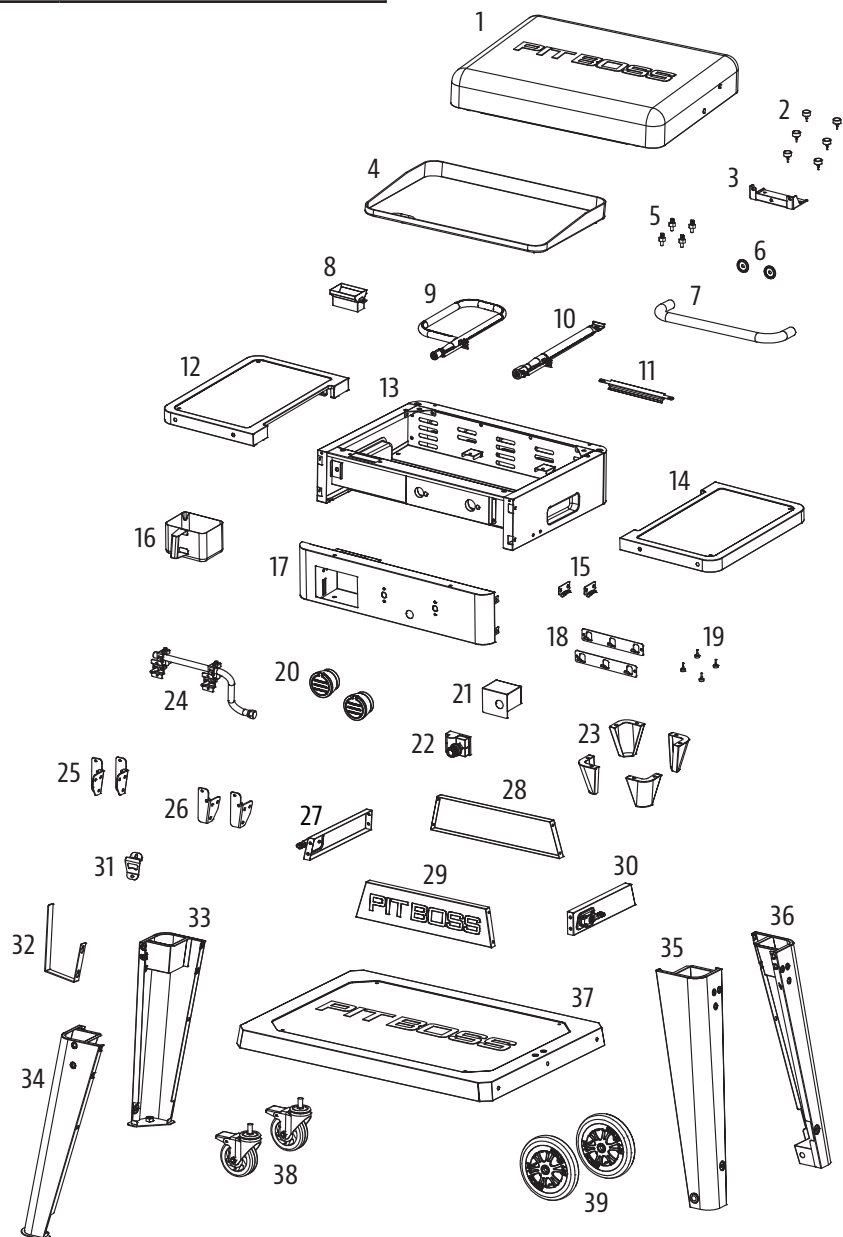
PROBLEMA	CAUSA	SOLUZIONE
Il bruciatore non si accende	Il cavo di accensione è rotto	Contattare il Servizio clienti per assistenza o per ricevere la parte di ricambio.
	Nessuna scintilla del dispositivo di accensione sull'elettrodo	Posizionare l'elettrodo. Contattare il Servizio clienti per assistenza o per ricevere la parte di ricambio.
	Non viene fornito gas	Controllare la valvola del regolatore. Controllare i collegamenti per eventuali perdite.
Incendio di grasso/ fiammate frequenti	Grigliare carni grasse	Grigliare le carni grasse quando la superficie di cottura è fredda e le manopole sono sull'impostazione "LOW".
	Temperatura di cottura	Provare a cucinare a una temperatura inferiore. Il grasso ha un punto di infiammabilità. Mantenere la temperatura sotto i 176°C / 350°F durante la cottura di alimenti molto grassi.
	Acqua spruzzata sulle fiamme del gas	Non spruzzare acqua sulle fiamme del gas.
Il bruciatore si spegne	Mancanza di gas	Controllare il collegamento del gas e assicurarsi che sia aperto. Sostituire la bombola del gas se vuota.
	Raffiche o venti forti	Girare la parte anteriore della griglia lontano dal vento o aumentare l'altezza della fiamma.
Abbassare il calore in modalità "HIGH"	Bocchette bloccate	Pulire le bocchette da ogni tipo di accumulo.
	Bombola del gas vuota	Riempire la bombola del gas.
Perdita di gas	Istallazione errata	Ruotare la manopola del regolatore in posizione OFF e lasciare che la manopola del regolatore fuoriesca. Rimuovere la bombola del gas. Rimontare e serrare. Eseguire una prova di tenuta per garantire la corretta tenuta. Sostituire la bombola del gas se danneggiata.
	Guasto guarnizione	La bombola del gas è corrosa, arrugginita o è stata maneggiata in modo errato. Sostituire la bombola del gas.
	Guasto del regolatore	Il regolatore deve essere sostituito. Contattare il Servizio clienti per ricevere la parte di ricambio.
Le fiamme dei bruciatori sono gialle o arancioni	Flusso d'aria insufficiente	Controllare nel tubo e nei condotti del bruciatore non siano presenti ragnatele o altri ostacoli. Per la pulizia del tubo del bruciatore, attenersi alle istruzioni di <b>cura e manutenzione</b> .
	Ostruzione del bruciatore	
	Il contenitore di grasso è pieno, fuoriuscita	Svuotare il contenitore del grasso e inserirla di nuovo nel dispositivo. Seguire le istruzioni di <b>cura e manutenzione</b> .
	La valvola del regolatore è spenta	Controllare il collegamento della valvola del regolatore alla bombola del gas. Rimuovere, quindi reinstallare. Eseguire la prova di tenuta.
	Il bruciatore è sporco	Ruotare la manopola del regolatore su HIGH per cinque minuti e accendere l'unità. Seguire le istruzioni di <b>cura e manutenzione</b> .

# PARTI DI RICAMBIO

## PB2BGD2

Parte	Descrizione
1	Coperchio (x1)
2	Guarnizione per supporto coperchio (x6)
3	Supporto coperchio (x1)
4	Piastra riscaldante (x1)
5	Viti per supporti della piastra riscaldante (x4)
6	Corona per maniglia coperchio (x2)
7	Maniglia coperchio (x1)
8	Grasso esaurito (x1)
9	Brucciato a P (x1)
10	Brucciato destro (x1)
11	Crossover bruciato (x1)
12	Ripiano laterale - Sinistro (x1)
13	Gruppo focolare (x1)
14	Ripiano laterale - Destro (x1)
15	Gancio di blocco (x2)
16	Contenitore di raccolta grasso (x1)
17	Quadro di comando del focolare (x1)
18	Pannello con gancio del ripiano laterale (x2)
19	Guarnizione per ripiano laterale (x4)
20	Manopola di regolazione (x2)
21	Protezione termica per dispositivo di accensione (x1)
22	Dispositivo di accensione (x1)
23	Supporti focolare (x4)
24	Gruppo valvola (x1)
25	Staffa per ripiano laterale - Sinistra (x2)
26	Staffa per ripiano laterale - Destra (x2)
27	Pannello laterale del carrello - Sinistro (x1)
28	Pannello posteriore del carrello (x1)
29	Pannello anteriore del carrello (x1)
30	Pannello laterale del carrello - Destro (x1)
31	Apribottiglie (x1)
32	Gancio per carta da cucina (x1)
33	Supporto per ruota girevole - Posteriore (x1)
34	Supporto per ruota girevole - Anteriore (x1)
35	Supporto per ruota - Anteriore (x1)
36	Supporto per ruota - Posteriore (x1)
37	Ripiano inferiore (x1)
38	Ruota bloccabile (x2)
39	Ruota (x2)

Parte	Descrizione
A	Vite (x37)
B	Rosetta (x16)
C	Rosetta di sicurezza (x16)
D	Vite (x4)
E	Copiglia ruota (x2)
F	Rondella ruota (x2)
G	Perno asse ruota (x2)
H	Batteria (x1)

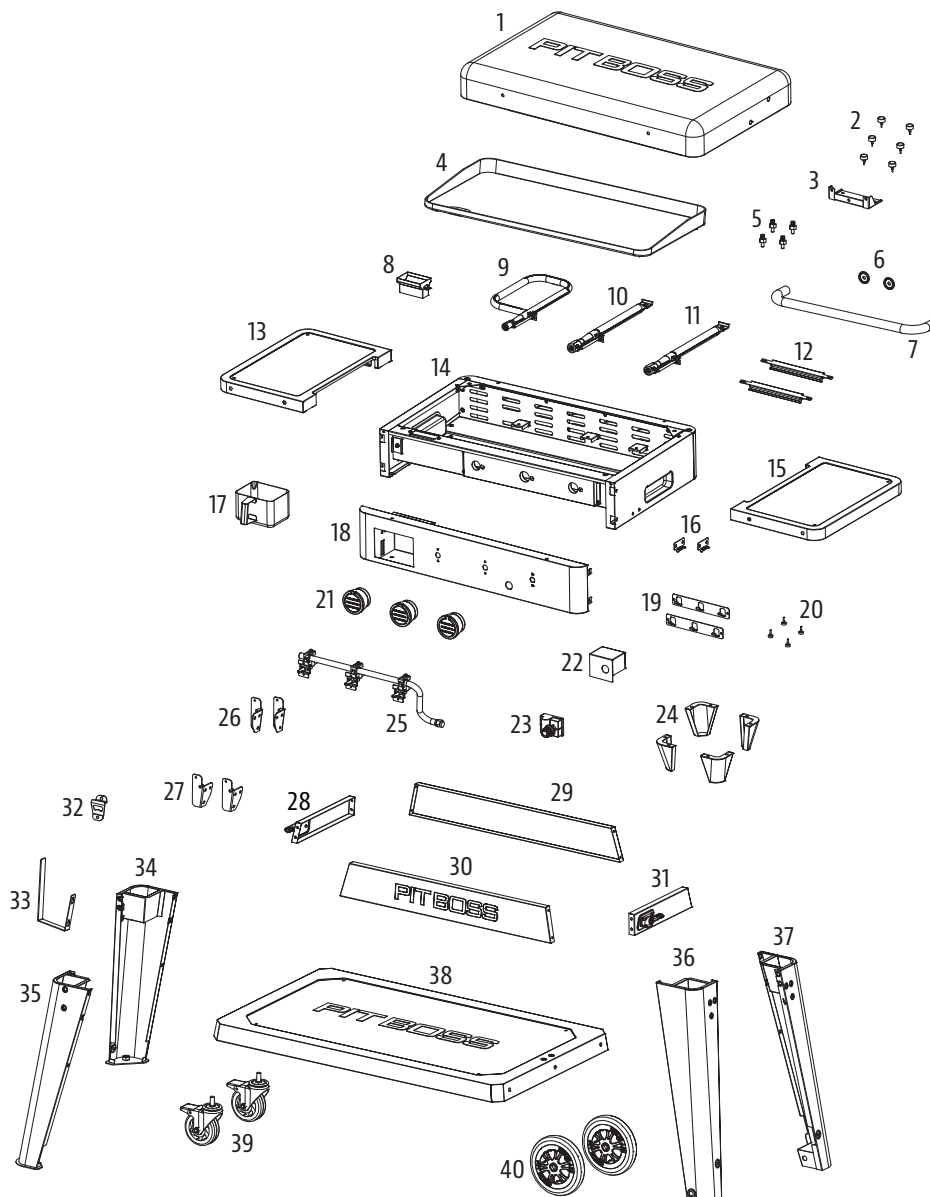


NOTA: per lo sviluppo continuo del prodotto, le parti sono soggette a modifiche senza preavviso.  
Contattare il Servizio clienti se le parti sono mancanti durante l'assemblaggio dell'unità.

## PB3BGD2

Parte	Descrizione
1	Coperchio (x1)
2	Guarnizione per supporto coperchio (x6)
3	Supporto coperchio (x1)
4	Piastra riscaldante (x1)
5	Viti per supporti della piastra riscaldante (x4)
6	Corona per maniglia coperchio (x2)
7	Maniglia coperchio (x1)
8	Grasso esaurito (x1)
9	Brucciatore a P (x1)
10	Brucciatore centrale (x1)
11	Brucciatore destro (x1)
12	Crossover bruciatore (x2)
13	Ripiano laterale - Sinistro (x1)
14	Gruppo focolare (x1)
15	Ripiano laterale - Destro (x1)
16	Gancio di blocco (x2)
17	Contenitore di raccolta grasso (x1)
18	Quadro di comando del focolare (x1)
19	Pannello con gancio del ripiano laterale (x2)
20	Guarnizione per ripiano laterale (x4)
21	Manopola di regolazione (x3)
22	Protezione termica per dispositivo di accensione (x1)
23	Dispositivo di accensione (x1)
24	Supporti focolare (x4)
25	Gruppo valvola (x1)
26	Staffa per ripiano laterale - Sinistra (x2)
27	Staffa per ripiano laterale - Destra (x2)
28	Pannello laterale del carrello - Sinistro (x1)
29	Pannello posteriore del carrello (x1)
30	Pannello anteriore del carrello (x1)
31	Pannello laterale del carrello - Destro (x1)
32	Apribottiglie (x1)
33	Gancio per carta da cucina (x1)
34	Supporto per ruota girevole - Posteriore (x1)
35	Supporto per ruota girevole - Anteriore (x1)
36	Supporto per ruota - Anteriore (x1)
37	Supporto per ruota - Posteriore (x1)
38	Ripiano inferiore (x1)
39	Ruota bloccabile (x2)
40	Ruota (x2)

Parte	Descrizione
A	Vite (x37)
B	Rosetta (x16)
C	Rosetta di sicurezza (x16)
D	Vite (x4)
E	Copiglia ruota (x2)
F	Rondella ruota (x2)
G	Perno asse ruota (x2)
H	Batteria (x1)

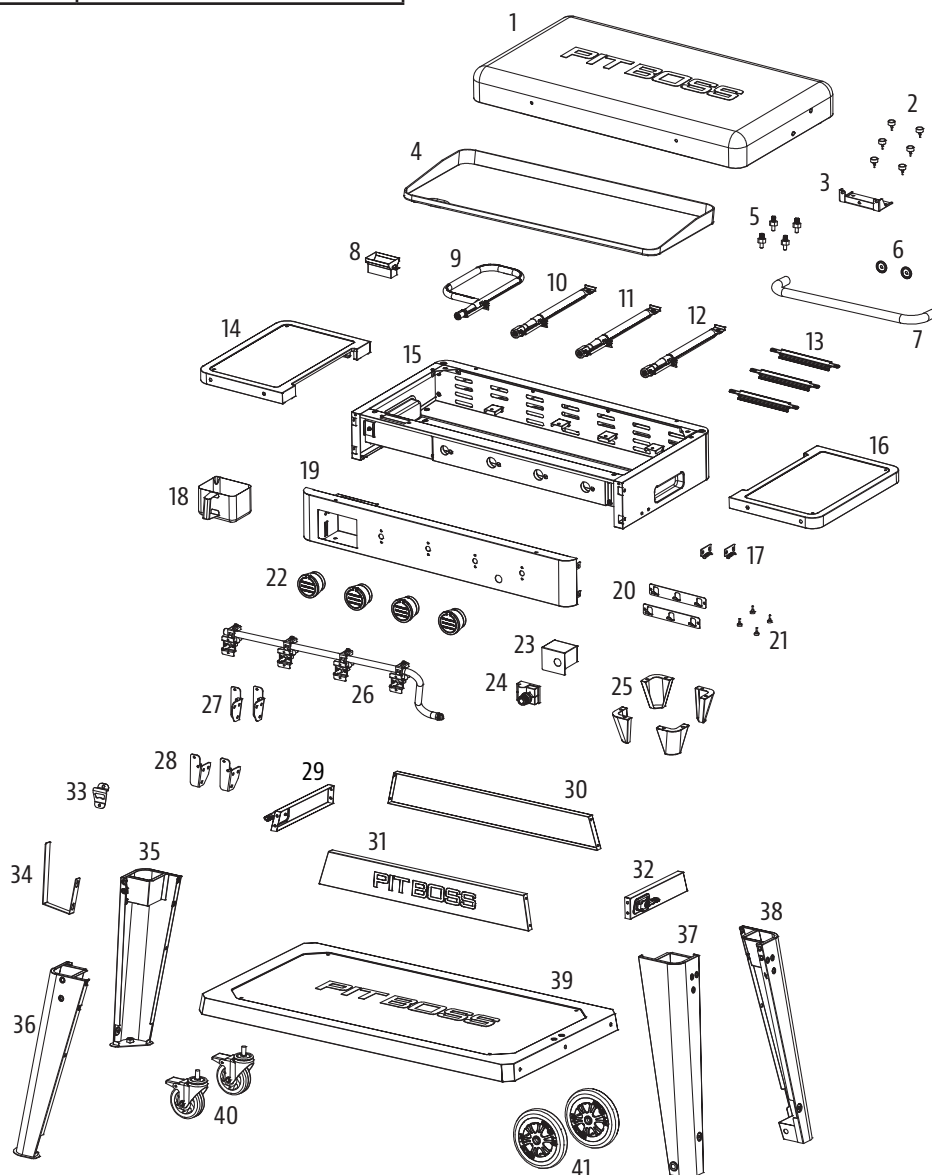


NOTA: per lo sviluppo continuo del prodotto, le parti sono soggette a modifiche senza preavviso.  
Contattare il Servizio clienti se le parti sono mancanti durante l'assemblaggio dell'unità.

## PB4BGD2

Parte	Descrizione
1	Coperchio (x1)
2	Guarnizione per supporto coperchio (x6)
3	Supporto coperchio (x1)
4	Piastra riscaldante (x1)
5	Viti per supporti della piastra riscaldante (x4)
6	Corona per maniglia coperchio (x2)
7	Maniglia coperchio (x1)
8	Grasso esaurito (x1)
9	Brucciato a P (x1)
10	Brucciato sinistro (x1)
11	Brucciato centrale (x1)
12	Brucciato destro (x1)
13	Crossover bruciato (x3)
14	Ripiano laterale - Sinistro (x1)
15	Gruppo focolare (x1)
16	Ripiano laterale - Destro (x1)
17	Gancio di blocco (x2)
18	Contenitore di raccolta grasso (x1)
19	Quadro di comando del focolare (x1)
20	Pannello con gancio del ripiano laterale (x2)
21	Guarnizione per ripiano laterale (x4)
22	Manopola di regolazione (x4)
23	Protezione termica per dispositivo di accensione (x1)
24	Dispositivo di accensione (x1)
25	Supporti focolare (x4)
26	Gruppo valvola (x1)
27	Staffa per ripiano laterale - Sinistra (x2)
28	Staffa per ripiano laterale - Destra (x2)
29	Pannello laterale del carrello - Sinistro (x1)
30	Pannello posteriore del carrello (x1)
31	Pannello anteriore del carrello (x1)
32	Pannello laterale del carrello - Destro (x1)
33	Apribottiglie (x1)
34	Gancio per carta da cucina (x1)
35	Supporto per ruota girevole - Posteriore (x1)
36	Supporto per ruota girevole - Anteriore (x1)
37	Supporto per ruota - Anteriore (x1)
38	Supporto per ruota - Posteriore (x1)
39	Ripiano inferiore (x1)
40	Ruota bloccabile (x2)
41	Ruota (x2)

Parte	Descrizione
A	Vite (x37)
B	Rosetta (x16)
C	Rosetta di sicurezza (x16)
D	Vite (x4)
E	Copiglia ruota (x2)
F	Rondella ruota (x2)
G	Perno asse ruota (x2)
H	Batteria (x1)



NOTA: per lo sviluppo continuo del prodotto, le parti sono soggette a modifiche senza preavviso.  
Contattare il Servizio clienti se le parti sono mancanti durante l'assemblaggio dell'unità.

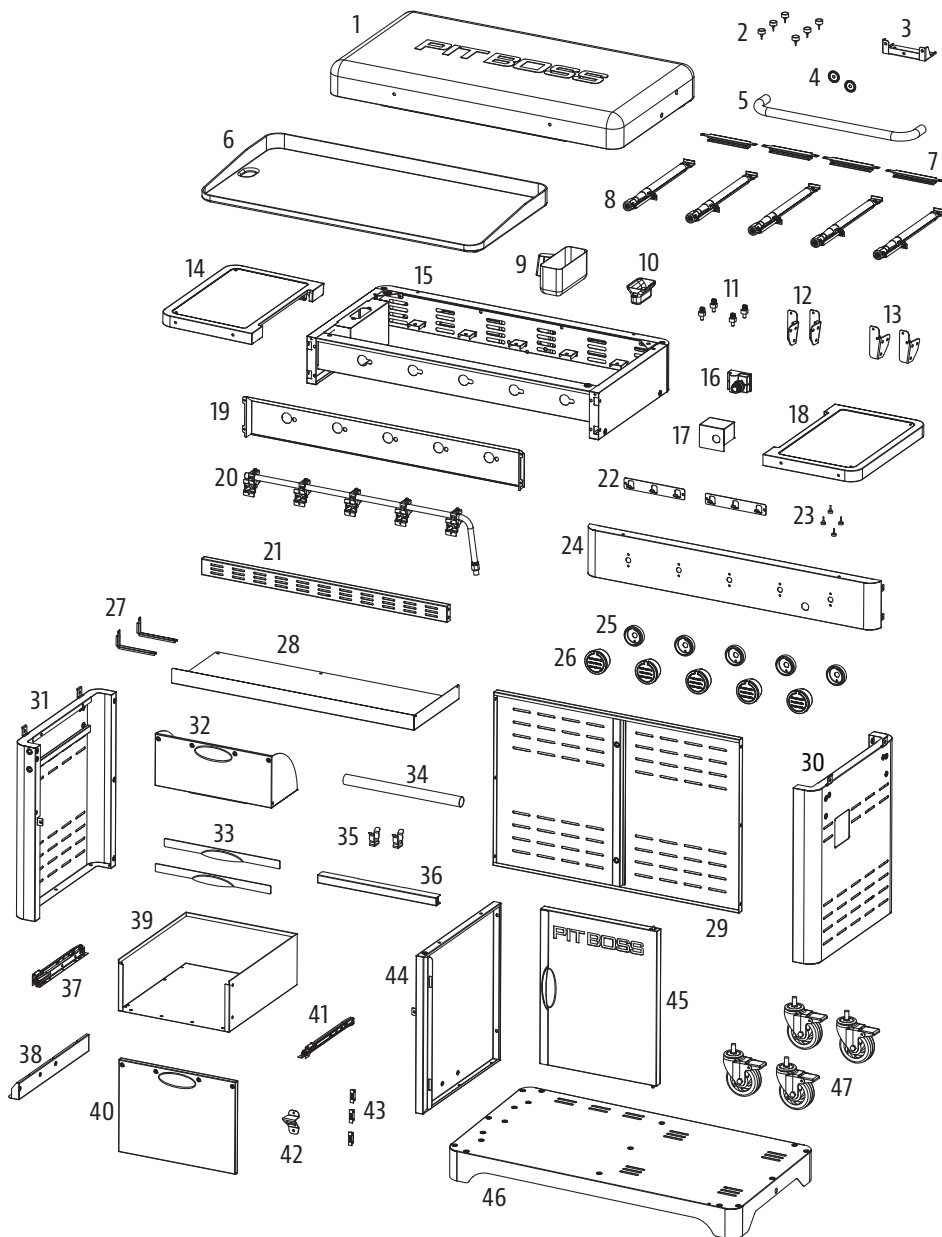


# PB5BGD2

Parte	Descrizione
1	Coperchio (x1)
2	Guarnizione per supporto coperchio (x6)
3	Supporto coperchio (x1)
4	Corona per maniglia coperchio (x2)
5	Maniglia coperchio (x1)
6	Piastra riscaldante (x1)
7	Crossover bruciatore (x4)
8	Brucciatoe (x5)
9	Contenitore di raccolta grasso (x1)
10	Grasso esaurito (x1)
11	Viti per supporti della piastra riscaldante (x4)
12	Staffa per ripiano laterale - Sinistra (x2)
13	Staffa per ripiano laterale - Destra (x2)
14	Ripiano laterale - Sinistro (x1)
15	Gruppo focolare (x1)
16	Dispositivo di accensione (x1)
17	Protezione termica per dispositivo di accensione (x1)
18	Ripiano laterale - Destro (x1)
19	Protezione termica anteriore (x1)
20	Gruppo valvola (x1)
21	Pannello anteriore del carrello (x1)
22	Pannello con gancio del ripiano laterale (x2)
23	Guarnizione per ripiano laterale (x4)
24	Quadro di comando del focolare (x1)
25	Base per manopola di regolazione (x5)
26	Manopola di regolazione (x5)
27	Supporto per protezione termica (x2)
28	Pannello della protezione termica (x1)
29	Pannello posteriore del carrello (x1)
30	Pannello laterale del carrello - Destro (x1)
31	Pannello laterale del carrello - Sinistro (x1)
32	Cassetto basculante (x1)
33	Maniglia per cassetto (x2)
34	Carta barra di tovagliolo (x1)
35	Blocco di arresto (x2)
36	Barra di supporto per cassetto (x1)
37	Guide per cassetto - Sinistra (x1)
38	Supporto per guida (x1)
39	Cassetto (x1)
40	Frontale cassetto (x1)
41	Guide per cassetto - Destra (x1)
42	Apribottiglie (x1)
43	Boccola magnetica (x3)
44	Partizione carrello (x1)

Parte	Descrizione
45	Anta dell'armadio (x1)
46	Parte inferiore del carrello (x1)
47	Ruota bloccabile (x4)
A	Vite (x54)
B	Vite (x2)
C	Rosetta di sicurezza (x14)
D	Rosetta (x14)

Parte	Descrizione
E	Vite (x14)
F	Vite (x6)
G	Batteria (x1)



NOTA: per lo sviluppo continuo del prodotto, le parti sono soggette a modifiche senza preavviso.  
Contattare il Servizio clienti se le parti sono mancanti durante l'assemblaggio dell'unità.

# GARANZIA

## CONDIZIONI

Tutte le piastre a gas di Pit Boss® Grills, prodotte da Dansons, sono coperte da garanzia limitata a partire dalla data di vendita da parte del proprietario originale. La garanzia decorre dalla data di acquisto originaria e la prova della data di acquisto o una copia della fattura di vendita originale è necessaria per convalidare la garanzia. Ai clienti saranno addebitate le spese per le parti, la spedizione e la gestione se non sono in grado di fornire una prova d'acquisto o dopo la scadenza della garanzia. Dansons offre una garanzia di due (2) anni per eventuali difetti di fabbricazione su tutte le parti. Dansons garantisce che tutte le parti sono prive di difetti di materiale e di lavorazione, per tutto il periodo d'uso e proprietà da parte dell'acquirente originale. La garanzia non copre i danni causati da usura, come graffi, ammaccature, scheggiature o piccoli danni estetici. Questi cambiamenti estetici della piastra non influiscono sulle sue prestazioni. La riparazione o la sostituzione di qualsiasi componente non supera la garanzia limitata di due (2) anni dalla data di acquisto.

Durante il periodo di validità della garanzia, l'obbligo di Dansons si limita alla fornitura delle parti di ricambio per i componenti difettosi e/o guasti. Nel periodo di garanzia, Dansons non addebita le spese di riparazione o di restituzione delle parti sostituite e le spese di spedizione prepagate se riscontra un difetto delle parti nel momento in cui le parti vengono esaminate. Dansons non paga le spese di trasporto, i costi di manodopera e i dazi all'esportazione. Fatta eccezione per quanto previsto nelle presenti condizioni di garanzia, la riparazione o la sostituzione delle parti secondo le modalità e per il periodo di tempo indicati in precedenza assolve Dansons da tutte le responsabilità e gli obblighi diretti e indiretti nei confronti dell'acquirente. Dansons adotta ogni precauzione per utilizzare materiali che ritardino la comparsa della ruggine. Anche con queste protezioni, i rivestimenti protettivi possono essere compromessi da varie sostanze e condizioni che esulano dal controllo di Dansons. Temperature elevate, umidità eccessiva, cloro, fumi industriali, fertilizzanti, pesticidi da prato e sale sono alcune sostanze che possono influire sui rivestimenti metallici. Per questi motivi, la garanzia non copre la ruggine o l'ossidazione, a meno che non vi sia una perdita di integrità strutturale dei componenti della piastra. Se si verifica una delle condizioni sopra descritte, fare riferimento alla sezione relativa alla cura e alla manutenzione per prolungare la durata dell'unità. Dansons consiglia di utilizzare una copertura quando la piastra non è in uso.

Questa garanzia si basa sul normale uso domestico e la normale manutenzione della piastra e non si applica nessuna garanzia limitata per le piastre utilizzate per applicazioni commerciali.

## ECCEZIONI

Non esiste alcuna garanzia scritta o implicita sulle prestazioni dei prodotti Pit Boss® Grills perché il produttore non ha alcun controllo sull'installazione, sul funzionamento, sulla pulizia, sulla manutenzione o sul tipo di combustibile utilizzato. La presente garanzia non si applica e Dansons non si assume alcuna responsabilità se l'attrezzatura non è stata installata, utilizzata, pulita e sottoposta a manutenzione in conformità al presente manuale utente. L'uso di gas non descritto nel presente manuale può rendere nulla la garanzia. La garanzia non copre danni o rotture dovuti ad uso improprio, a una gestione non corretta o a modifiche. Né Dansons, né il concessionario Pit Boss® Grills autorizzato si assumono la responsabilità, legale o di altro tipo, per danni accidentali o consequenziali a cose o persone derivanti dall'uso di questo prodotto. Se un reclamo per violazione della presente garanzia o di qualsiasi altro tipo di garanzia espressa o implicita per legge viene presentato contro Dansons, il produttore non sarà in alcun caso responsabile per qualsiasi danno di tipo speciale o indiretto, per danni consequenziali o di qualsiasi natura diversa dall'acquisto originale di questo prodotto. Tutte le garanzie fornite dal produttore sono stabilite nel presente documento e non verrà presentata alcuna richiesta di rimborso nei confronti del produttore sulla base di altra garanzia o dichiarazione. Alcuni stati non consentono l'esclusione o la limitazione di danni incidentali o consequenziali o le limitazioni di garanzie implicite, pertanto le limitazioni o esclusioni indicate nella presente garanzia limitata potrebbero non essere applicabili all'utente. Questa garanzia limitata conferisce all'acquirente diritti legali specifici. L'acquirente può inoltre essere titolare di altri diritti, che variano da stato a stato.

## COME ORDINARE LE PARTI DI RICAMBIO

Per ordinare le parti di ricambio, contattare il rivenditore Pit Boss® locale o visitare il nostro negozio online all'indirizzo: [www.pitboss-grills.com](http://www.pitboss-grills.com)

## CONTACT CUSTOMER CARE

Per qualsiasi domanda o problema, contattare il Servizio Clienti all'indirizzo: [www.pitboss-grills.com](http://www.pitboss-grills.com)

## ASSISTENZA IN GARANZIA

Contattare il concessionario Pit Boss® Grills più vicino per la riparazione o la sostituzione dei componenti. Dansons richiede una prova di acquisto per convalidare una richiesta di rimborso in garanzia; pertanto, conservare la ricevuta di vendita originale o la fattura per riferimento futuro. Il numero di serie e di modello di Pit Boss® si trova direttamente sull'unità. Annotare i numeri riportati di seguito poiché l'etichetta potrebbe essere usurata o illeggibile.

---

MODELLO

---

NUMERO DI SERIE

---

DATA DI ACQUISTO

---

RIVENDITORE AUTORIZZATO

---

IT

ITALIANO

## SIKKERHEDSOPLYSNINGER

DE VIGTIGSTE ÅRSAGER TIL BRAND ER MANGELFULD VEDLIGEHOJDELSE OG UTILSTRÆKKELIG AFSTAND TIL ANTÆNDELIGE MATERIALER. DET ER MEGET VIGTIGT, AT DETTE PRODUKT KUN BRUGES I OVERENSSTEMMELSE MED FØLGENDE ANVISNINGER.

Læs og sørg for, at du forstår hele vejledningen, før du forsøger at samle, betjene eller installere produktet. På denne måde sikrer du, at du får en behagelig og problemfri oplevelse med din nye bærbare grillplade. Vi anbefaler også, at du gemmer denne vejledning til senere brug.

### ADVARSLER FOR PROPANGAS



#### FARE

Hvis du kan lugte gas:

- Luk for gastilførslen til enheden
- Sluk eventuel åben ild.
- Åbn låget.
- Hvis lugten fortsætter, skal du holde dig på afstand af enheden og straks ringe til gasleverandøren eller brandvæsenet.



#### ADVARSEL

- Opbevar og brug ikke benzin eller andre brændbare væsker eller dampe i nærheden af denne eller nogen andre enheder.
- En LP-flaske, som ikke er tilsluttet med henblik på brug, må ikke opbevares i nærheden af denne eller nogen andre enheder.
- Ved brug kræves en præcisionsfyldt G30/G31-standardflaskegas (flydende propan/LP) med udvendige ventilgevind. Flaskens maksimale diameter er 300 mm (11,8"), og dens maksimale højde er 600 mm (23,6").

1. Sørg for at købe gasflasken hos en anerkendt leverandør. En forkert fyldt eller overfyldt LP-flaske kan være farlig. Overopfyldning kombineret med opvarmning af LP-gasflasken (en varm sommerdag, flasken efterladt i solen osv.) kan medføre udslip af LP-gas, eftersom den øgede temperatur får gassen til at udvide sig. Gas udløst fra flasken er brændbar og kan være eksplosiv.
2. Brug ikke en LP-gasflaske, hvis dens ventil er beskadiget eller viser tegn på hak, fordybninger, udbulinger, brandskade, korrosion, lækage, kraftig rust eller andre former for visuelle udvendige skader; det kan være farligt og skal straks kontrolleres af en leverandør af flydende propan.

**Hvis du ser, lugter eller hører en hvislende lyd af gas, der slipper ud af flasken, må du ikke forsøge at tænde enheden. Sluk eventuel åben ild. Afbryd fra brændstofforsyningen.**

3. Undgå at tilslutte eller frakoble gasflasken, mens enheden er i brug eller stadig er varm. Sørg for at dreje regulatorknappen til OFF (Slukket), og afbryd gasflasken, når grillpladen ikke er i brug. Enheden må aldrig flyttes eller transporteres, mens gasflasken tilsluttet. Opbevar aldrig en reservegasflaske under eller i nærheden af enheden.
4. Gasflasker skal opbevares udendørs uden for børns rækkevidde og må ikke opbevares i en bygning, garage eller andet lukket område.
5. Flowet af forbrændings- og ventilationsluft til enheden må ikke blokeres. Hold brænderrøret og åbningerne rene og fri for snavs. Rengør før brug. Regelmæssig pleje og vedligeholdelse er forudsætningen for at optimere enhedens holdbarhed.

6. Kontrollér altid for gaslækager, når du tilslutter og afbryder regulatoren til gasflasken, især efter en periode med opbevaring (for eksempel vinteren over). Kontrollér alle forbindelser for lækager ved hjælp af en sæbevandsopløsning og en børste. Brug aldrig åben ild til at kontrollere for lækager.
7. Rens og efterse gasregulatoren før hver brug af den udendørs gasenhed til madlavning. Udskift gasregulatoren før brug, hvis der er tegn på overdrevent slid.
8. Denne enhed må kun bruges med flaskegas, hvilket også er specificeret på enhedens mærkeskilt. Forsøg ikke at bruge grillen sammen med andre gastyper. Forsøg ikke at omdanne denne gasflaskeenhed til brug af naturgas. Hvis denne advarsel ikke overholdes, kan det medføre brandfare og personskade og vil ophæve garantidækningen.
9. Placeringen af brænderrøret i forhold til åbningen er afgørende for sikker drift. Kontroller, at åbningen er inde i brænderrøret, inden du bruger gasristen. Hvis brænderrøret ikke passer over ventilåbningen, kan tænding af brænderen forårsage eksplosion og / eller brand.

## FARER OG ADVARSLER

**Du skal kontakte din lokale bolig-, bygnings- eller brandkontor eller -myndighed, som har jurisdiktion i området, for at indhente de nødvendige tilladelser, rammer eller oplysninger om monteringsbegrænsninger f.eks. for montering af en grill på en brændbar overflade, krav om kontrol eller tilmed mulighed for at benytte i dit område.**

1. Sørg altid for, at der er en afstand på minimum 1,270 mm (50") til begge sider fra grillpladen og 1,270 mm (50") bag ved grillpladen til brændbare konstruktioner. **Undgå at installere enheden på brændbare gulve eller gulve, der er belagt med brændbare overflader, medmindre der er indhentede korrekte tilladelser fra de relevante myndigheder.** Undgå at bruge denne enhed indendørs eller i et lukket område uden ventilation, f.eks. i hjem, køretøjer, telte eller garager. Denne grillpladeenhed til gasflaske må ikke placeres under lofter eller udhæng, der er fremstillet af brændbare materialer. Placer grillpladen i et ryddet område uden brændbare materialer, benzin eller andre brændbare dampe eller væsker.

**Hvis fedtstoffet på grillen begynder at brænde, skal du straks slukke grillen og lade låget være lukket, indtil ilden er gået ud. Tag strømskikket ud. Undgå at smide vand på enheden. Undgå at forsøge at kvæle ilden. Det er en god idé at have en almindelig godkendt brandslukker (ABC-klasse) i nærheden. Hvis ilden kommer uden for kontrol, skal du ringe til brandvæsenet.**

2. Tätä ulkogrilliiä ei ole tarkoitettu asennettavaksi liikennevälineisiin tai veneisiin.

**Laitetta ei saa koskaan käyttää suljetussa tilassa, kuten matkailuautossa, teltassa, autossa, veneessä tai talon sisällä. Tätä laitetta ei ole tarkoitettu lämmitykseen, eikä sitä saa koskaan käyttää lämmityslaitteena.**

3. Tätä laitetta ei suositella lapsille tai henkilöille, joilla on heikentyneet fyysiset, sensoriset tai henkiset voimavarat tai joilta puuttuu tarvittava kokemus tai tieto, elleivät he ole heidän turvallisuudestaan vastuussa olevan henkilön suoran valvonnan tai ohjeistuksen alaisena.
4. Grillin osat saattavat olla erittäin kuumia, mistä voi aiheutua vakavia vammoja. Pidä pienet lapset ja lemmikit loitolla käytön aikana. Älä koske kuumiin pintoihin. Käytä aina lämmönkestäviä käsineitä, pitkävartisia pihtejä tai paistokintaita, koska grillistä tulee hyvin kuuma.
5. Älä koskaan käytä grilliiä ilman, että tulipesän alle on asennettu ja ripustettu rasvakuppi. Ilman rasvakuppia kuuma rasva ja jäte voi valua alas ja aiheuttaa palovaaran.

## KULILTE ("DEN LYDLØSE DRÆBER")

Anvend altid en gasdrevet enhed udendørs i et åbent område med god ventilation for at forebygge indånding af gifte dampe fra forbrænding eller lækage af gas. Kulilte er en farveløs, duftløs og smagsløs gas, der produceres ved afbrænding af gas, træ, propan, kul eller andet brændsel. Kulilte reducerer blodets evne til at transportere ilt. Lavt iltniveau i blodet kan resultere i hovedpine, svimmelhed, kraftsløshed, kvalme, opkast, sløvhed, forvirring, bevidstløshed eller døden. Følg disse anvisninger for at forhindre, at denne farveløse og duftløse gas forgifter dig, din familie eller andre:

- Søg læge, hvis du eller andre udvikler forkølelse eller influenzalignende symptomer under madlavning på eller i nærheden af enheden. Kulilteforgiftning, som let kan fejlfortolkes som forkølelse eller influenza, opdages ofte for sent.
- Brug af alkohol og narkotika kan forværre kulilteforgiftningen.

Kulilte er særligt giftig for moder og barn under graviditet, spædbørn, ældre, rygere og personer med blod- eller kredsløbssygdomme som f.eks anæmi eller hjerteproblemer.

## SIKKERHEDSKLASSIFICERING

I overensstemmelse med procedurer og specifikationer fra Conformité Européenne (CE) er Pit Boss® Grills-gasenheders overholdelse påvist gennem test i forhold til standarder og direktiver, som opfylder alle sikkerheds-, sundheds- og miljøbeskyttelseskrav for EU (Den Europæiske Union) og Det Europæiske Økonomiske Samarbejdsområde (EØS).



	VARMEEFFEKT	ANTAL BRÆNDERE		BRÆNDER-TYPE	DYSESTØR-RELSE	GAS/TRYK	ANVENDELSESLAND
		LIGE BRÆNDER	P-BRÆNDER				
<b>PB2BGD2</b>	7,63 KW G30 – 555 g/h G31 – 545 g/h	1	1	LIGE BRÆNDER	0,8 mm	G30 ved 28-30 hPa G31 ved 37 hPa G30/G31-blanding ved 30 hPa	<b>I3+ (28-30/37) :</b> BE, CH, CY, CZ, ES, FR, GB, GR, IE, IT, LT, LU, LV, PT, SK, SI  <b>I3B/P (30) :</b> BE, CY, DK, EE, FR, GB, HU, IT, LT, NL, NO, SE, SI, SK, RO, HR, TR, BG, IS, LU, MT, FI  <b>I3B/P (37) :</b> PL  <b>I3B/P (50) :</b> AT, DE, SK, CH
<b>PB3BGD2</b>	10,5 KW G30 – 768 g/h G31 – 755 g/h	2	1		0,75 mm	G30/G31-blanding ved 37 hPa	
<b>PB4BGD2</b>	13,49 KW G30 – 982 g/h G31 – 964 g/h	3	1		0,72 mm	G30/G31-blanding ved 50 hPa	
<b>PB5BGD2</b>	14,65 KW G30 – 1066 g/h G31 – 1047 g/h	5	0	P-BRÆNDER	1,02 mm	G30 ved 28-30 hPa G31 ved 37 hPa G30/G31-blanding ved 30 hPa	
					0,97 mm	G30/G31-blanding ved 37 hPa	
					0,93 mm	G30/G31-blanding ved 50 hPa	



## BEMÆRKNING OM OPHAVSRET

Copyright 2021. Alle rettigheder forbeholdes. Ingen del af denne vejledning må kopieres, overføres, transskriberes, gemmes i et overførselssystem i nogen form eller på nogen måde uden udtrykkelig skriftlig tilladelse fra

### **DANSONS EUROPE**

11 Rue Galvani Paris, Frankrig 75017

### **DANSONS NORDAMERIKA**

3411 North 5th Avenue, Suite 500, Phoenix, AZ, USA 85013

### KUNDESERVICE

[www.pitboss-grills.com](http://www.pitboss-grills.com)

## INDHOLDSFORTEGNELSE

Sikkerhedsoplysninger.....	102
Tilslutning til en gasforsyning	
Krav til gasflaske.....	106
Installation af en gasforbindelse til manifolden.....	106
Tilslutning af en gasflaske.....	107
Klargøring til brug – Tæthedsprøve.....	108
Frakobling af en gasflaske.....	108
Betjeningsvejledning	
Grillplades omgivelser.....	109
Første gang – Afbrænding af grillplade.....	110
Tændingsprocedure.....	110
Manuel antændingsprocedure.....	111
Slukning af en grillplade.....	111
Afløftning af grillplade fra vognen.....	112
Brug af affaldsposeholder.....	113
Pleje og vedligeholdelse.....	114
Tips og teknikker.....	115
Fejlfinding.....	116
Reservedele.....	117
Garanti.....	121

DK

DANSK

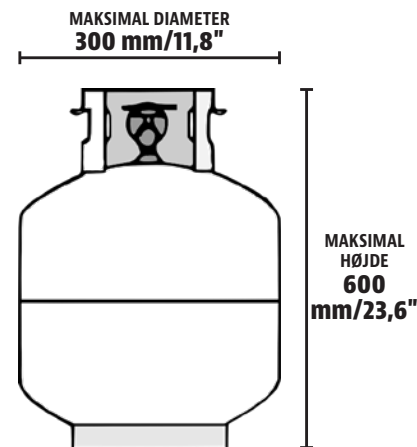
# TILSLUTNING TIL EN GASFORSYNING

## KRAV TIL GASFLASKE

Ved brug kræves en præcisionsfyldt G30/G31-standardflaskegas (flydende propan/LP) med udvendige ventilgevind. Brug en bøjelig standardslange på maksimalt 1,5 m (59"). Slangen skal være synlig og tilgængelig i hele sin længde, så den kan kontrolleres efter installation.

Flaskens maksimale diameter er 300 mm (11,8"), og dens maksimale højde er 600 mm (23,6") som vist i illustrationen.

**FORSIGTIG:** Benyt den korrekte regulator, som opfylder standarden EN16129, og en flaske til grillbrug, så grillen er sikker og effektiv i brug. Det er farligt at anvende en forkert eller fejlbehæftet regulator, og dette vil ophæve enhver garanti. Det er vigtigt at efterse slangen i hele dens længde. Hvis slangen er tydeligt præget af slitage, eller der er snit eller huller i slangen, skal den udskiftes, inden enheden tages i brug.



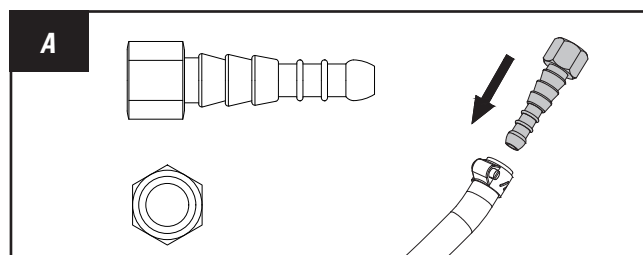
## INSTALLATION AF EN GASFORBINDELSE TIL MANIFOLDEN

Afhængigt af placering og købsland sælger ikke alle distributører grillpladen med en inkluderet regulator. Der medfølger et manifoldovergangssæt, hvis der ikke er formonteret en gasregulator. Vælg den tilslutning fra det medfølgende manifoldovergangssæt, som kræves til din gasmanifold og regulatorslange. For at lette installationen af gastilslutningen skal du fjerne eller frakoble grillpladen fra vognen. Placer enheden med bagsiden opad på et stykke pap for at forhindre ridser eller skader.

### • TILSLUTNING A – KONISK

Tilslut den koniske ende på tilslutningen til regulatorslangen, og lås den derefter fast med en slangeklemme.

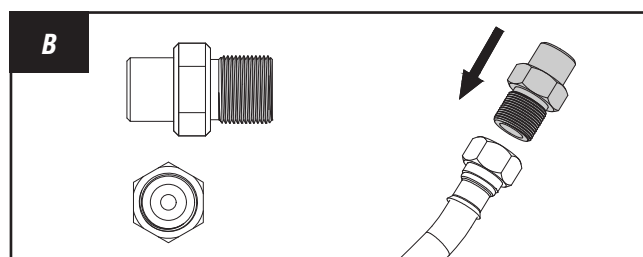
Se illustration A.



### • TILSLUTNING B – GEVINDSKÅRET

Før den gevindskårne hantilslutning ind i hantilslutningen på regulatorrøret. Drej for at spænde den helt til.

Se illustration B.



Fortsæt til næste trin for installation af gasflaske. Hold grillpladen fjernet fra vognen.



## TILSLUTNING AF EN GASFLASKE

**VIGTIGT:** Hvis manifolden kræver en konnektor, skal du følge anvisningerne i monteringen af konnektoren, inden du tilslutter enheden til en gasflaske.

Inden tilslutning skal du sikre, at der ikke sidder snavs i hovedet på gasflasken, regulatorventilen eller brænderens hoved eller åbninger.

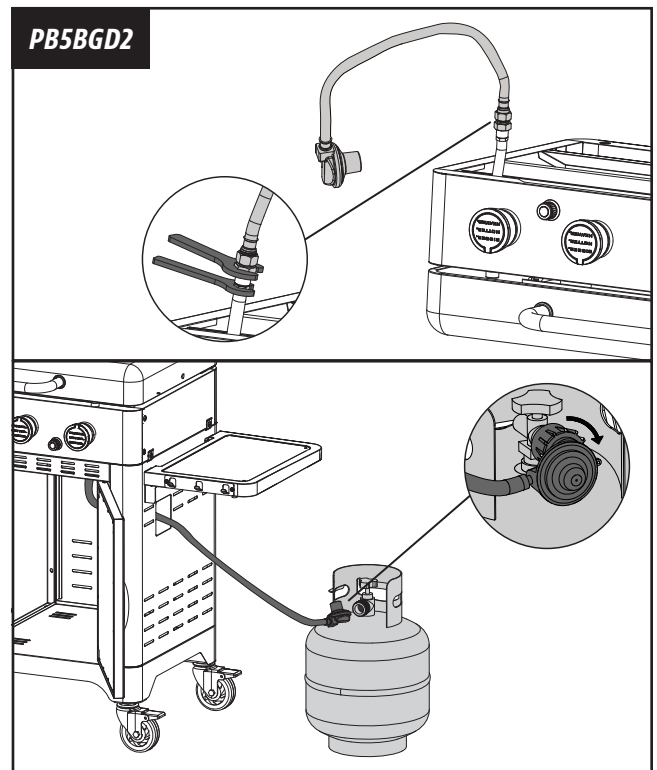
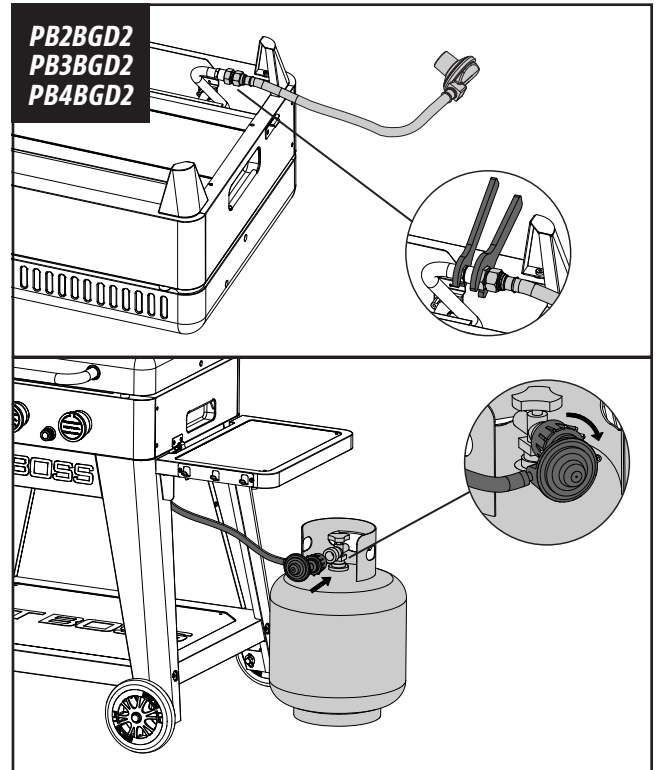
1. Gå til næste trin, hvis der er formonteret en regulator.

Hvis der er monteret en tilslutning fra manifoldovergangssættet, skal du holde grillpladen væk fra vognen i forbindelse med regulatorinstallationen. Tilslut regulatorslangen til grillpladens manifold ved at spænde den helt til med en skruenøgle. Monter grillpladen igen på vognen, når regulatoren og regulatorslangen er monteret. Undgå at vride eller klemme regulatorslangen på nogen måde, når grillpladen er placeret på vognen igen.

2. For grillpladen med skab skal du trække regulatoren og regulatorslangen gennem åbningen i vognens højre side.
3. Anbring en gasflaske til højre for vognen. Sørg for, at gasflaskens ventil er i positionen CLOSED (Lukket). Det er vigtigt at sikre, at gasflasken står helt op, da det er usikkert at betjene grillpladen, når gasflasken ikke står ret op og på en stabil overflade.
4. Kontrollér, at betjeningsknapperne på grillpladen er helt lukkede, ved at dreje dem med uret til positionen "0" (OFF - Slukket).
5. Fjern beskyttelseshætterne fra regulatorventilens åbning og toppen af gasflasken. Gem hætterne.
6. Før gasflaskeventilen ind i den gevindskårne åbning på regulatorventilen. Drej hurtigkoblingsmøtrikken med uret, indtil den er spændt til. Spænd den kun med håndkraft.
7. Nu er gasflasken tilsluttet. Udfør en lækagetest.

**ADVARSEL:** Afbryd straks gasflasken, hvis du kan lugte gas. Forsøg at tilslutte gasflasken på ny for at sikre, at slangen er tilsluttet korrekt. Udfør en lækagetest.

**BEMÆRK:** Den normale gasgennemstrømning i regulatoren og slangen kan give en summende lyd. Et lavt støjniveau er helt normalt og vil ikke forstyrre betjeningen af grillpladen. Hvis den summende lyd er høj og langvarig, skal du muligvis fjerne luft fra gasledningen eller nulstille regulatoren funktion for overskydende gasgennemstrømning. Denne tømningssprocedure skal udføres hver gang en ny gasflaske tilsluttes din grillplade.



## KLARGØRING TIL BRUG – TÆTHEDSPRØVE

En lækagetest bruges til at fastslå, om forseglingen er tæt. Før du bruger din gasgrill, skal du udføre en lækagetest af tilslutningen mellem regulatoren og gasflasken for at reducere risikoen for alvorlig personskade eller død på grund af brand eller eksplosion. Der skal udføres en lækagetest mindst én gang i sæsonen samt:

- før du tænder grillen for første gang,
- hver gang gasflasken er blevet udskiftet,
- efter flytning, især over ujævne eller hullede veje,
- efter længere tids opbevaring eller inaktivitet.

### SÅDAN UDFØRES EN LÆKAGETEST

#### Krævede materialer:

- 1 x Skål (*tom, ren*)
- 1 x Malerpensel (*ren*)
- Opvaskemiddel
- Vand

#### Fremgangsmåde:

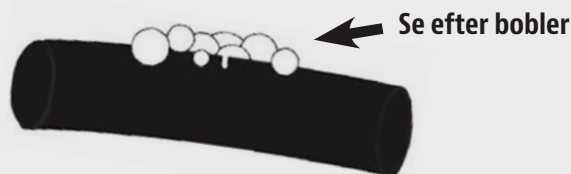
1. Placer grillen et sted med god ventilation. Sørg for, at grillen er kølig at røre ved og ikke er i brug. Kontrollér, at regulatoren er drejet til positionen OFF (Slukket), og at gasflasken er spændt helt fast på regulatoren.

**VIGTIGT: Sørg for, at der ikke åben ild eller rygere i nærheden.**

2. Lav en blanding af én del vand med én del opvaskemiddel i en skål. Opløsningen vil lave bobler, da den vil være koncentreret.
3. Brug en malerpensel til at påføre opløsningen på pakningen mellem regulatoren og gasflasken. Se efter, om der dannes bobler, som kan skyldes en fejl eller et brud på forseglingen.

**BEMÆRK: Hvis der er en lækage, skal du gentage proceduren for tilslutning af gasflasken, men uden at tilspænde for meget. Spænd kun med håndkraft. Gentag lækagetesten, når gasflasken er tilsluttet på ny, for at sikre, at forseglingen er tæt.**

**VIGTIGT: Brug ikke gasgrillen, hvis du har opdaget gaslækage, som ikke kan håndteres med proceduren for lækagetest. Kontakt det lokale brandvæsen eller kundeservice angående alternative testmetoder og korrekte forholdsregler.**



## FRAKOBLING AF EN GASFLASKE

1. Kontrollér, at betjeningsknappen på grillen er helt lukket, ved at dreje knappen med uret til positionen OFF (Slukket). Drej gasflaskeventilen til positionen CLOSED (LUKKET), så regulatorknappen udløses.
2. Drej flasken mod uret (i hånden) for at lukke regulatorventilen. Sæt beskyttelseshætterne på regulatorventilens åbning og toppen af gasflasken inden opbevaring (hvis flasken ikke er tom).

**BEMÆRK: Hvis du opbevarer grillen indendørs, skal du lade gasflasken være udendørs.**

**ADVARSEL: Transportér aldrig grillen, mens gasflasken er tilsluttet. Flasken kan frigøre sig fra ventilen og medføre en gaslækage, som kan resultere i eksplosion, brand eller alvorlig personskade. Frakobl gasflasken inden transport eller opbevaring. Hvis grillen opbevares indendørs, skal gasflasken efterlades udendørs.**

# BETJENINGSVEJLEDNING

## GRILLPLADES OMGIVELSER

### 1. HVOR SKAL GRILLPLADEN PLACERES

Som for alt udendørs udstyr spiller vejrforholdene en vigtig rolle for grillpladens resultater og den tilberedningstid, der kræves for at skabe det perfekte måltid. Alle Pit Boss® Grill-enheder skal som minimum have en afstand på 1270 mm (50 tommer) til brændbare konstruktioner, og denne afstand skal bevares, mens enheden er i brug. Denne enhed må ikke placeres under lofter eller udhæng, der er fremstillet af brændbare materialer. Placer grillpladen i et område, der er ryddet for brændbare materialer eller andre brændbare dampe og væsker.

### 2. TILBEREDNING I KOLDT VEJR

Selvom det bliver køligere udenfor, behøver grillsæsonen ikke være slut! Den friske, kølige luft og den skønne duft af mad på grillen vil jage vinterdepressionen på flugt. Følg disse forslag for at kunne nyde din grill gennem de kolde måneder:

- Organiser – Sørg for, at du har alt klar i køkkenet, før du går udenfor. Om vinteren kan du flytte grillen til et område væk fra den kolde blæst. Kontrollér de lokale bestemmelser angående afstanden mellem din grill og dit hus og/eller andre konstruktioner. Placer alt, du har brug for, på en bakke, klæd dig godt på, og gå i gang!
- For at kunne holde øje med temperaturen udenfor kan du placere et udendørs termometer i nærheden af grillen. Før en log eller et register over, hvad du har stegt, den udendørs temperatur og tilberedningstiden. Det kan senere gøre det lettere at finde ud af, hvad du kan tilberede, og hvor længe det vil tage.
- Sørg for at have en opvarmet tallerken eller et låg klar for at holde maden varm, mens du bærer den ind.

### 3. TILBEREDNING I VARMT VEJR


Når det bliver varmere udenfor, reduceres tilberedningstiden. Følg disse få forslag for at kunne nyde din grill gennem de varme måneder:

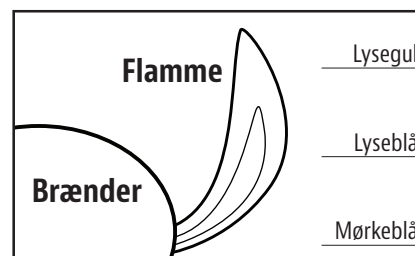
- Nedjuster stegetemperaturen. På den måde undgår du uønsket opblussen.
- Brug et stegetermometer til at måle den indvendige temperatur i maden. På denne måde kan du forhindre, at kødet bliver overstegt og tørt.
- Du kan holde maden varm ved at pakke den ind i folie og placere den i en isoleret køletaske. Fyld sammenkrøllet avispapir omkring den folieindpakkede mad. På den måde kan du holde maden varm i 3-4 timer.

## FØRSTE GANG – AFBÆNDING AF GRILLPLADE

Før du tager grillpladen i brug for første gang, er det vigtigt at gennemføre en afbrænding. Start grillpladen og lad den køre i mindst 15 minutter på HIGH (Høj) for at "afbrænde" enheden. På den måde bliver de indvendige dele "varmerenset", og lugten fra materialerne fjernes.

### TÆNDINGSPROCEDURE

1. Åbn låget under antænding.
2. Indstil alle betjeningsknapper til position "O".
3. Åbn gasflasken/gasventilen ifølge betjeningsvejledningen på beholderen.
4. Skub og drej brænderknappen mod uret til "  (flamme-position)".
5. Tryk på tænderknappen, indtil brænderen antændes..
6. Hvis der ikke opstår tænding inden for 5 sekunder, skal du dreje ventilen til "O", vente 5 minutter og gentage trinnene for antændingsproceduren. Efter antænding skal du observere brænderens flamme. Sørg for, at alle brænderporte er antændt, og at flammehøjden svarer til den viste illustration.
7. Hvis fremgangsmåden ovenfor ikke fungerer, skal du følge **Manuel antændingsprocedure**.



**Hvis brænderen går ud under brug, skal du dreje betjeningsknapperne til positionen "O" (OFF - Slukket). Vent fem minutter, før du forsøger at tænde igen, så eventuel akkumuleret gas forsvinder inden.**

### HÅNTERING AF FEJL I TÆNDER

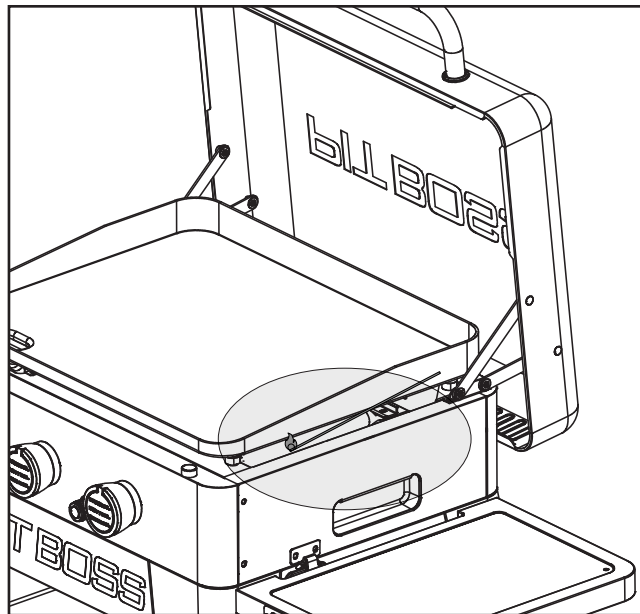
Hvis tænderen af en eller anden grund ikke fungerer efter tre-fire forsøg, skal du afprøve følgende fremgangsmåde eller starte grillen manuelt.

1. Sørg for, at alle betjeningsknapper er drejet til positionen OFF (Slukket). Lad eventuel akkumuleret gas forsvinde.
2. Efter fem minutter skal du prøve følgende:
  - Kontrollér visuelt, at tænderen fungerer, ved at trykke på tændingsknappen og kigge efter en gnist på tænderspidsen. Hvis der ikke er nogen gnist, skal du justere afstanden mellem tænderspidsen (elektroden) og brænderen til 4,5 mm (3/16").
  - Kontrollér visuelt, at brænderrøret og åbningerne ikke er blokeret. Hvis de er blokeret, skal du følge anvisningerne under **Pleje og vedligeholdelse**.
3. Hvis ovenstående fremgangsmåde ikke fungerer, skal du følge anvisningerne under **Fejlfinding**.

## MANUEL ANTÆNDINGSPROCEDURE

1. Åbn låget under antænding.
2. Indstil alle betjeningsknapper til position "0".
3. Åbn gasflasken/gasventilen ifølge betjeningsvejledningen på beholderen.
4. Anvend hurtigt og forsigtigt en tændt tændstik eller en lang lighter til at tænde brænderen. Få adgang til brænderen under stegepladen. Placér den tændte tændstik ved siden af brænderen.

**FORSIGTIG: Forsøg ikke at tænde fra noget andet sted omkring brænderen. Det kan medføre personskaade.**



5. Skub og drej brænderens betjeningsknap mod uret til "🔥 (flamme-position)", og hold knappen inde i 10 sekunder, efter at brænderen er blevet antændt. Du vil høre en "kliklyd" fra gnisten, indtil du slipper knappen.

**BEMÆRK: Undgå at benytte sprit, lightervæske eller petroleum til antænding eller opfriskning af ilden i grillpladen.**

6. Hvis brænderen ikke lyser inden for 5 sekunder, skal du dreje brænderens betjeningsknap til "0", vente 5 minutter og gentage trinnene for antændingsproceduren. Efter antænding skal du observere brænderens flamme. Sørg for, at alle brænderporte er antændt, og at flammehøjden svarer til den tidligere viste illustration.

**BEMÆRK: Hver brænder tændes hver for sig – gentag trinnene for de andre brændere.**

**ADVARSEL: Læn dig aldrig ind over stegeområdet, mens du antænder din gasgrillplade. Hold dit ansigt og din krop i sikker afstand (mindst 457 mm/18 tommer) fra stegeristens overflade, når du tænder din grillplade med en tændstik.**

7. Hvis ovenstående fremgangsmåde ikke fungerer, skal du se *Fejlfinding*.

## SLUKNING AF EN GRILLPLADE

1. Når du er færdig med tilberedningen, skal du dreje gasflaskeventilen til positionen CLOSED (Lukket), så regulatorknappen udløses. Denne sikkerhedsfunktion låser regulatorknappen, så gassen ikke længere flyder ud.
2. Drej betjeningsknapperne til positionen "0".

**BEMÆRK: Der høres normalt en "puf"-lyd, når gassen afbrydes.**

3. Frakobl gasforsyningen ifølge anvisningerne under *Frakobling af en gasflaske*.

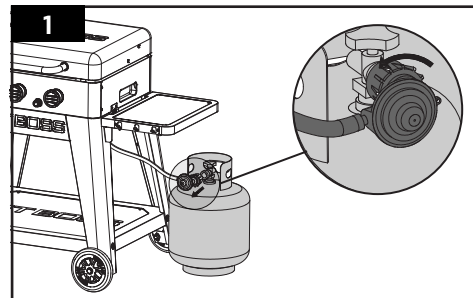
**ADVARSEL: Lad grillpladen køle helt af, og fjern gasflasken, før du flytter, transporterer eller stiller enheden væk til opbevaring.**

# AFLØFTNING AF GRILLPLADE FRA VOGNEN

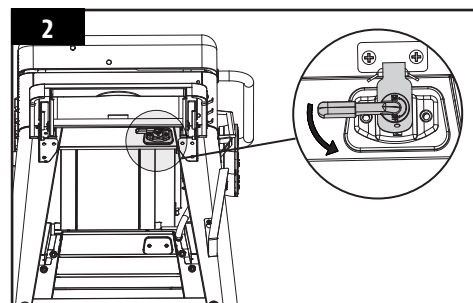
Hvis du har grillplademodellerne PB2BPGG, PB3BPGG, PB4BPGG, kan de hurtigt og nemt løftes af vognen for at trække eller transportere den. Følg blot monteringsvejledningen i omvendt rækkefølge, eller følg denne opsummering:

**VIGTIGT: Sørg altid for, at grillpladen er helt afkølet, frakoblet gasforsyningen, og at fedtkoppen er fjernet.**

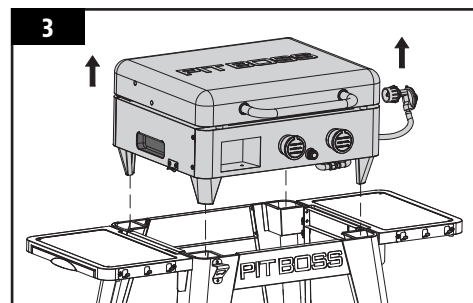
1. Kobl enheden fra gasforsyningen. Frigør trykregulatorenheden fra cylinderventilen ved at dreje hurtigkoblingsmøtrikken mod uret.



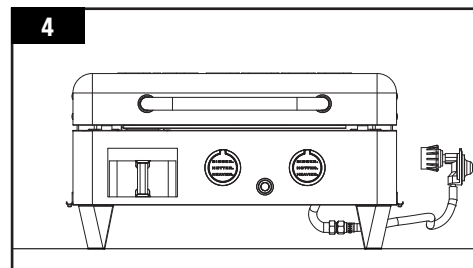
2. Drej låsene (en på hver side) for at frigøre brændkassen fra vognen.



3. Lad to personer løfte grillpladen forsigtigt af vognen ved monteringsfordebyningerne i hver side. Vær særlig opmærksom på regulatoren og slangerne, når du løfter.



4. Anbring brændkassen på jorden eller på det ønskede sted med det samme for at undgå personskade eller beskadigelse af enheden.

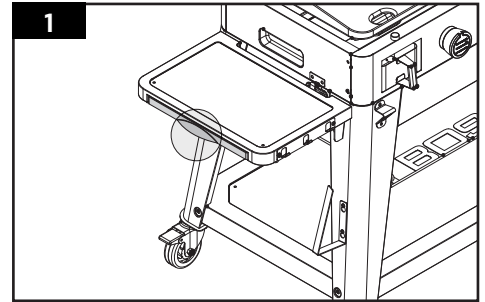


# BRUG AF AFFALDSPOSEHOLDER

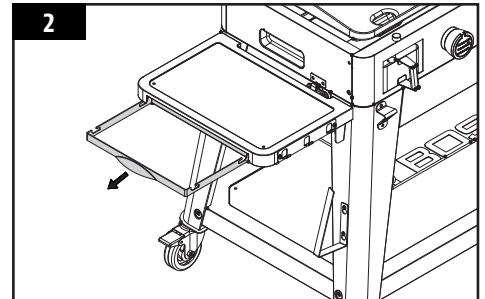
Det har aldrig været nemmere at holde styr på affaldet end med affaldsposeholderen. Dette stel af rustfrit stål, der er placeret under venstre sidehylde, er nem at rengøre og kan holde en almindelig plastikpose med en volumen på typisk 10-20 liter (2,5-5 gallon). Stellet er også designet til at kunne rumme de fleste standardaffaldsposer (med eller uden håndtag) med en volumen op til 60 liter (16 gallon).

**VIGTIGT: Vær opmærksom på, hvor meget vægt der lægges i posen på affaldsposeholderen. Udskift posen hyppigt for at sikre lang levetid for affaldsposeholderens konstruktion og komponenter.**

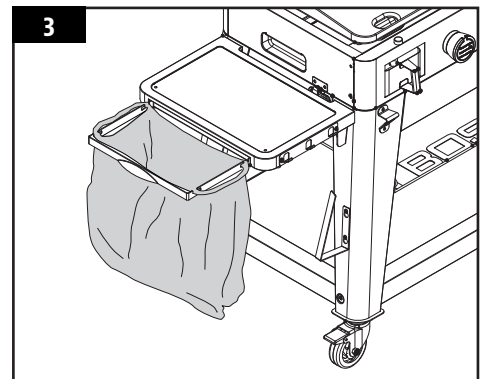
1. Grebet til affaldsposeholderen er placeret på venstre sidehylde.



2. Træk affaldsposeholderen ud, så du kan komme til stelbeslagene.



3. Sæt en plastikpose eller standardaffaldspose på affaldsposeholderen. Brug håndtagene på plastikposen til at trække posen ud over stellet, eller træk affaldsposen ud over de tre sider på stellet for at holde den på plads.





# PLEJE OG VEDLIGEHOLDELSE

## KONTROL AF GASNIVEAUET

Hvis du vil kontrollere den resterende mængde brændstof i gasflasken, skal grillen være i brug. Placer hånden oven på gasflasken, og før den langsomt ned langs siden, indtil den føles kold at røre ved. Dette angiver det omtrentlige niveau for den resterende mængde gas i flasken. Hvis der er mindre end 1/4 tilbage, bør gasflasken udskiftes.

**VIGTIGT: Undgå at bruge kulbriketter eller andre brændbare materialer sammen med grillen. Brugen af sådanne materialer vil ophæve garantien og kan føre til brand, eksplosion og personskade.**

## HYPPIGHED AF RENGØRING

Enhver Pit Boss®-enhed kan give dig mange år med lækker tilberedning og minimalt behov for rengøring. Følg disse tip om rengøring og vedligeholdelse for at passe godt på din grill:

### 1. BRÆNDERKOMPONENTER

- Rens brænderen, når der er belægninger på den, og fjern tegn på blokering (snavs, insekter) af brænderrøret eller brænderåbningerne. Efter længere opbevaring kan edderkopper eller små insekter have bygget rede, lavet net og lagt æg i brænderrøret, så brænderens gasgennemstrømning forhindres. Et tilstoppet rør kan medføre brand i din enhed. Hvis grillen skal opbevares eller før en længere inaktiv periode, skal brændere fjernes og pakkes ind i alufolie for at reducere risikoen for, at insekter trænger ind i brænderhullerne.
- Brænderen er forudindstillet til en flamme med optimal ydeevne. En optimal blanding af luft og gas giver en blå flamme, ofte med en lille gul spids. Hvis flammerne primært er gule, orange eller uregelmæssige, skal du fjerne olie- og madrester på brænderens overflade og åbninger for at øge luftgennemstrømningen.

### 2. TILBEREDELSESKOMPONENTER

- Varmepladen på din grill er keramisk belagt. De bedste redskaber at bruge er træ, silikone eller nylon, da disse materialer reducerer slid på madlavningsoverfladen.
- Enheden kommer præ-krydret fra fabrikken, men det er vigtigt at rengøre og krydre kogepladen efter hver brug for at forhindre rust, forlænge din grillplades levetid og skabe en non-stick madlavningsoverflade. Krydderiet på grillen er en kontinuerlig proces, der skal gentages i løbet af din grillplade for at sikre den bedste madlavningsoplevelse og den længste brugstid.
  1. Rengør kogepladen efter hver brug med en spatel eller skraber for at fjerne alt mad og snavs.
  2. Påfør et jævnt lag madolie på madlavningsoverfladen. Vegetabilsk, oliven, jordnødder, kokosnød og sesamolie er alle velegnede til at krydre din grill.
  3. Lad afkøle på et køligt, tørt sted.

### 3. GRILLEN UDVENDIGT

- Alle skruer og bolte skal kontrolleres regelmæssigt. Tilspænd efter behov
- Brug et grillovertræk til at beskytte grillen bedst muligt! Et overtræk er den bedste beskyttelse mod vejret og udevendig tilsmudsning. Når enheden ikke er i brug eller opbevares gennem længere tid, enheden tildækkes og placeres i en garage eller et skur, mens gasflasken fjernes (opbevares udendørs).

## TIDSPLAN FOR RENGØRING (NORMAL BRUG)

ELEMENT	HYPPIGHED AF RENGØRING	RENGØRINGSMETODE
Stegeplade	Efter hver brug	Afbrænd rester, brug af skrubbessvamp og sæbevand, tilsætning af madolie
Fedtbakke	Efter hver brug	Tøm, skrubbessvamp og sæbevand
Brænderrør, åbninger	Hver 5.-6. brug	Støv af, brug skrubbessvamp og sæbevand
Brændere	Hver 5.-6. brug	Skrubbessvamp og sæbevand
Vogn	Efter behov	Ikke-slibende klud og sæbevand

## TIPS OG TEKNIKKER

Følg disse nyttige tip og teknikker, som vi har indsamlet fra Pit Boss®-ejere, vores medarbejdere og kunder ligesom dig for at lære din grill bedre at kende:

### 1. FØDEVARESIKKERHED

- Hold alt i køkkenet og tilberedningsområdet rent. Brug forskellige fade og redskaber til det tilberedte kød end dem, du har brugt til at forberede eller transportere det rå kød ud til grillen. Dette forebygger krydskontaminering med bakterier. Du skal bruge forskellige redskaber til de enkelte marinader eller grillsauce.
- Hold varm mad varm (over 60 °C/140 °F), og hold kold mad kold (under 3 °C/37 °F). Tilberedt mad må ikke efterlades over varmen i mere end en time. Stil tilberedt varm mad i køleskabet senest efter to timer.
- En marinade må aldrig gemmes til senere brug. Hvis du vil servere den sammen med kødet, skal du sørge for at koge den igennem inden servering.
- Optø og mariner kød, mens det står i køleskabet. Undgå at optø kød ved stuetemperatur eller på køkkenbordet. Bakterier vokser hurtigt i varme eller fugtige fødevarer. Vask hænderne grundigt med varmt sæbevand, før du påbegynder forberedelsen af ethvert måltid og efter håndtering af fersk kød, fisk og fjerkræ.

### 2. KLARGØRING VED MADLAVNING

- Klargør madlavningen eller **Mise en Place**. Dette henviser til klargøring ud fra en opskrift, herunder brændsel, tilbehør, redskaber og alle nødvendige ingredienser ved siden af grillen, inden du påbegynder tilberedningen. Læs også hele opskriften, inden du tænder grillen.
- En grillgulvmåtte er meget nyttig. I forhold til uheld og sprøjt fra madlavningen kan en grillgulvmåtte beskytte et dæk, en terrasse eller stenbelægning mod mulige fedtpletter eller uønskede spild.

### 3. TIPS OG TEKNIKKER TIL AT GRILLE

- Brug altid et stegetermometer til at fastlægge den indvendige temperatur i den mad, du tilbereder. Det er en god ide at placere tilberedt mad på et opvarmet fad, så maden holder sig varm. Rødt kød som f.eks. bøffer og stege har godt af at hvile i flere minutter, før de serveres. På den måde trækker varmen saften ud til overfladen af kødet og tilbage igen til midten af kødet, hvilket øger smagen.
- Sukkerbaserede saucer påføres bedst i slutningen af tilberedningen for at undgå, at kødet bliver brændt eller flammer op.
- Brug en grilltang med langt håndtag til at vende kødet og en spartel til at vende burgerbøffer og fisk. Brug et spidst redskab som f.eks. en gaffel til at prikke kødet, så saften kan slippe ud.

## FEJLFINDING

Korrekt rengøring og vedligeholdelse forhindrer generelle driftsproblemer. Når din grill fungerer dårligt, eller kun anvendes ved sjældne lejligheder, kan følgende tip til fejlfinding være nyttige. Se Ofte stillede spørgsmål på [www.pitboss-grills.com](http://www.pitboss-grills.com). Du kan også kontakte din lokale forhandler eller kontakte kundeservice for at få hjælp.

**ADVARSEL: Sørg altid for, at grillen er helt afkølet for at undgå personskaade.**

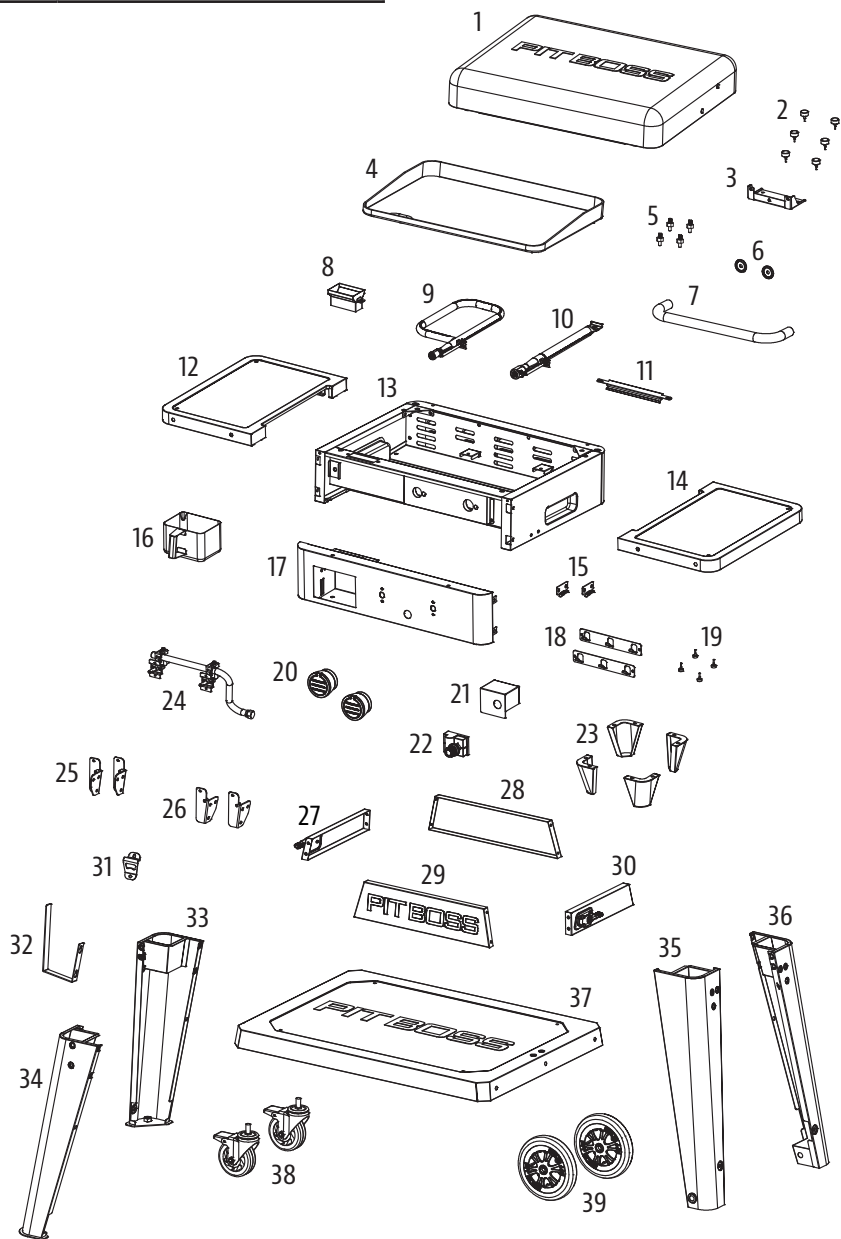
PROBLEM	ÅRSAG	LØSNING
Brænder tænder ikke	Tændingstråden er itu	Kontakt kundeservice for at få hjælp eller en reservedel.
	Ingen tændergnist på elektrode	Juster elektroden. Kontakt kundeservice for at få hjælp eller en reservedel.
	Gassen tilføres ikke	Kontrollér regulatorventilen. Kontrollér, om tilslutningen lækker.
Oliebrand/hyppig opblussen	Stegning af fedtholdigt kød	Steg fedtholdigt kød, når tilberedningsfladen er kold, og knapperne er indstillet til "LOW" (Lav).
	Stegetemperatur	Forsøg at tilberede maden ved en lavere temperatur. Fedt har et flammepunkt. Hold temperaturen under 176 °C/350 °F, når du tilbereder mad med højt fedtindhold.
	Vand sprøjtet på gasflammer	Sprøjt ikke vand på gasflammer.
Brænderen blæser ud	Ingen gasgennemstrømning	Kontrollér, at gasbrændstoffets tilslutning er åben. Udskift gasflasken, hvis den er tom.
	Vindstød eller kraftig vind	Vend forsiden af grillen væk fra vinden, eller øg flammehøjden.
Lav varme på "HIGH" (Høj)	Åbninger er blokerede	Ryd åbningerne for eventuelle tilstopninger.
	Gasflaske er tom	Få gasflasken fyldt op.
Gaslækage	Forkert montering	Drej regulatorknappen til positionen OFF (Slukket), så regulatorknappen udløses. Fjern gasflasken. Monter den igen, og tilspænd. Udfør lækagetest for at sikre, at forseglingen er tæt. Udskift gasflasken, hvis den er beskadiget.
	Fejl i forsegling	Gasflasken er korroderet, rustet eller blevet beskadiget. Udskift gasflasken.
	Fejl i regulator	Regulatoren skal udskiftes. Kontakt kundeservice for at bestille en reservedel.
Brænderens flammer er gule eller orange	Begrænset luftgennemstrømning	Kontrollér brænderens rør og åbninger, og fjern edderkoppespind eller andre forhindringer. Følg anvisningerne under <b>Pleje og vedligeholdelse</b> for at rense brænderrøret.
	Brænder er tilstoppet	
	Fedtkop er fuld og løbet over	Tøm fedtkop og genindsæt. Følg anvisningerne under <b>Pleje og vedligeholdelse</b> .
	Regulatorventilen er slukket.	Kontrollér regulatorventilens tilslutning til gasflasken. Fjern, og monter igen. Udfør lækagetest.
	Brænder er beskidt	Drej regulatorknappen til HIGH (Høj) i fem minutter, og "afbrænd" enheden. Følg anvisningerne under <b>Pleje og vedligeholdelse</b> .

# RESERVEDELE

## PB2BGD2

Delnr.	Beskrivelse
1	Låg (x1)
2	Gummidutter til lågstøtte (x6)
3	Lågstøtte (x1)
4	Stegeplade (x1)
5	Stegeplades benskruer (x4)
6	Låghåndtagsring (x2)
7	Låghåndtag (x1)
8	Fedtudløb (x1)
9	P-brænder (x1)
10	Højre brænder (x1)
11	Brænders overføring (x1)
12	Sidehylde - Venstre (x1)
13	Brændkasseenhed (x1)
14	Sidehylde - Højre (x1)
15	Låsekrog (x2)
16	Fedtkop (x1)
17	Brændkasses kontrolpanel (x1)
18	Sidehyldes krogpanel (x2)
19	Gummidutter til sidehylde (x4)
20	Betjeningsknap (x2)
21	Tænders varmeafskærmning (x1)
22	Tænder (x1)
23	Brændkassefødder (x4)
24	Ventilenhed (x1)
25	Sidehyldebeslag - Venstre (x2)
26	Sidehyldebeslag - Højre (x2)
27	Vogns sidepanel - Venstre (x1)
28	Vogns bagpanel (x1)
29	Vogns frontpanel (x1)
30	Vogns sidepanel - Højre (x1)
31	Flaskeåbner (x1)
32	Køkkenrullekrog (x1)
33	Støtteben til styrehjul - Bag (x1)
34	Støtteben til styrehjul - For (x1)
35	Støtteben til hjul - For (x1)
36	Støtteben til hjul - Bag (x1)
37	Underhylde (x1)
38	Styrehjul med lås (x2)
39	Hjul (x2)

Delnr.	Beskrivelse
A	Skrue (x37)
B	Spændskive (x16)
C	Låseskive (x16)
D	Skrue (x4)
E	Hjulsplit (x2)
F	Hjulspændeskive (x2)
G	Hjulakselstift (x2)
H	Batteri (x1)



BEMÆRK: På grund af løbende produktudvikling kan dele være ændret uden varsel.  
Kontakt kundeservice, hvis der mangler dele ved montering af enheden.

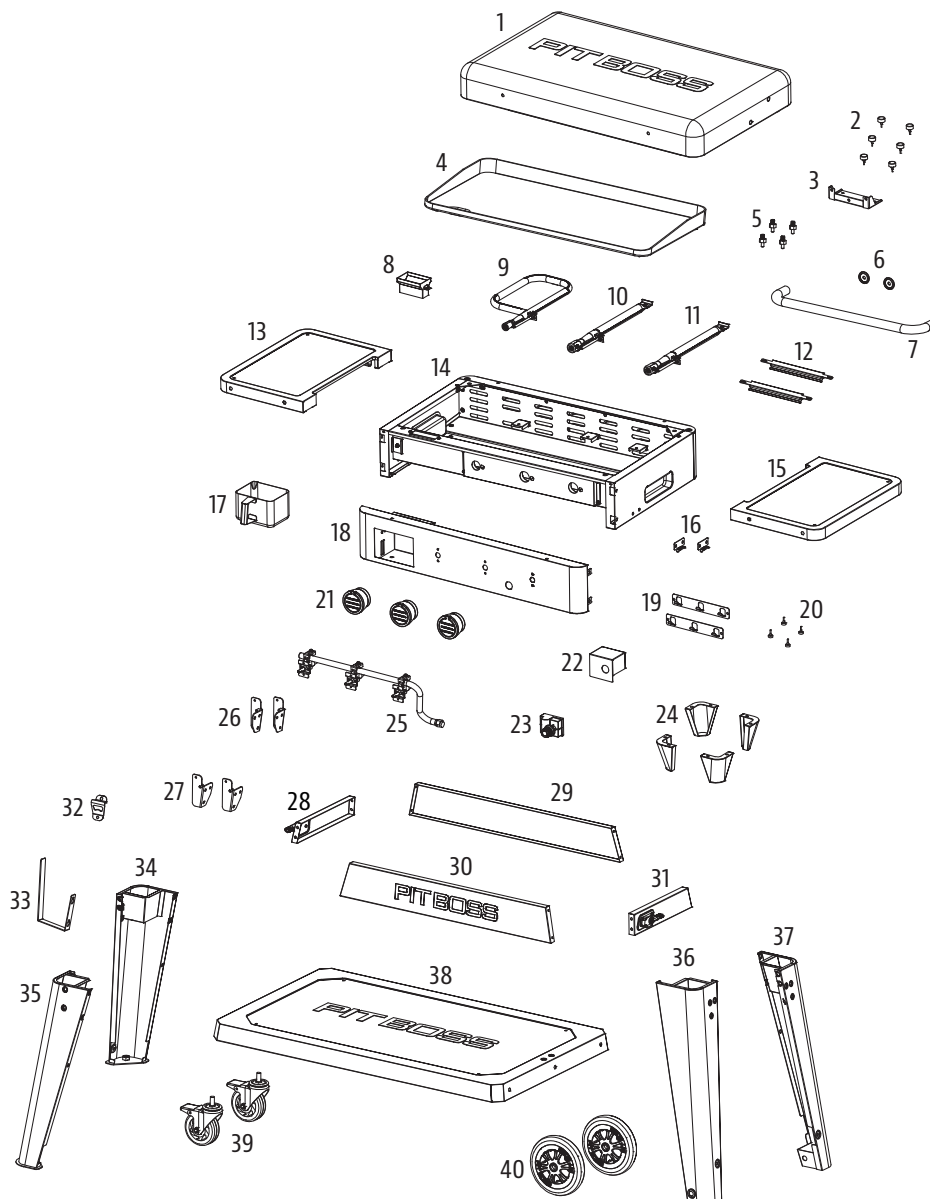
DK

DANSK

# PB3BGD2

Delnr.	Beskrivelse
1	Låg (x1)
2	Gummidutter til lågstøtte (x6)
3	Lågstøtte (x1)
4	Stegeplade (x1)
5	Stegeplades benskruer (x4)
6	Låghåndtagsring (x2)
7	Låghåndtag (x1)
8	Fedtudløb (x1)
9	P-brænder (x1)
10	Midterbrænder (x1)
11	Højre brænder (x1)
12	Brænders overføring (x2)
13	Sidehylde - Venstre (x1)
14	Brændkasseenhed (x1)
15	Sidehylde - Højre (x1)
16	Låsekrog (x2)
17	Fedtkop (x1)
18	Brændkasses kontrolpanel (x1)
19	Sidehyldes krogpanel (x2)
20	Gummidutter til sidehylde (x4)
21	Betjeningsknap (x3)
22	Tænders varmeafskærmning (x1)
23	Tænder (x1)
24	Brændkassefødder (x4)
25	Ventilenhed (x1)
26	Sidehyldebeslag - Venstre (x2)
27	Sidehyldebeslag - Højre (x2)
28	Vogns sidepanel - Venstre (x1)
29	Vogns bagpanel (x1)
30	Vogns frontpanel (x1)
31	Vogns sidepanel - Højre (x1)
32	Flaskeåbner (x1)
33	Køkkenrullekrog (x1)
34	Støtteben til styrehjul - Bag (x1)
35	Støtteben til styrehjul - For (x1)
36	Støtteben til hjul - For (x1)
37	Støtteben til hjul - Bag (x1)
38	Underhylde (x1)
39	Styrehjul med lås (x2)
40	Hjul (x2)

Delnr.	Beskrivelse
A	Skrue (x37)
B	Spændskive (x16)
C	Låseskive (x16)
D	Skrue (x4)
E	Hjulsplit (x2)
F	Hjulspændeskive (x2)
G	Hjulakselstift (x2)
H	Batteri (x1)

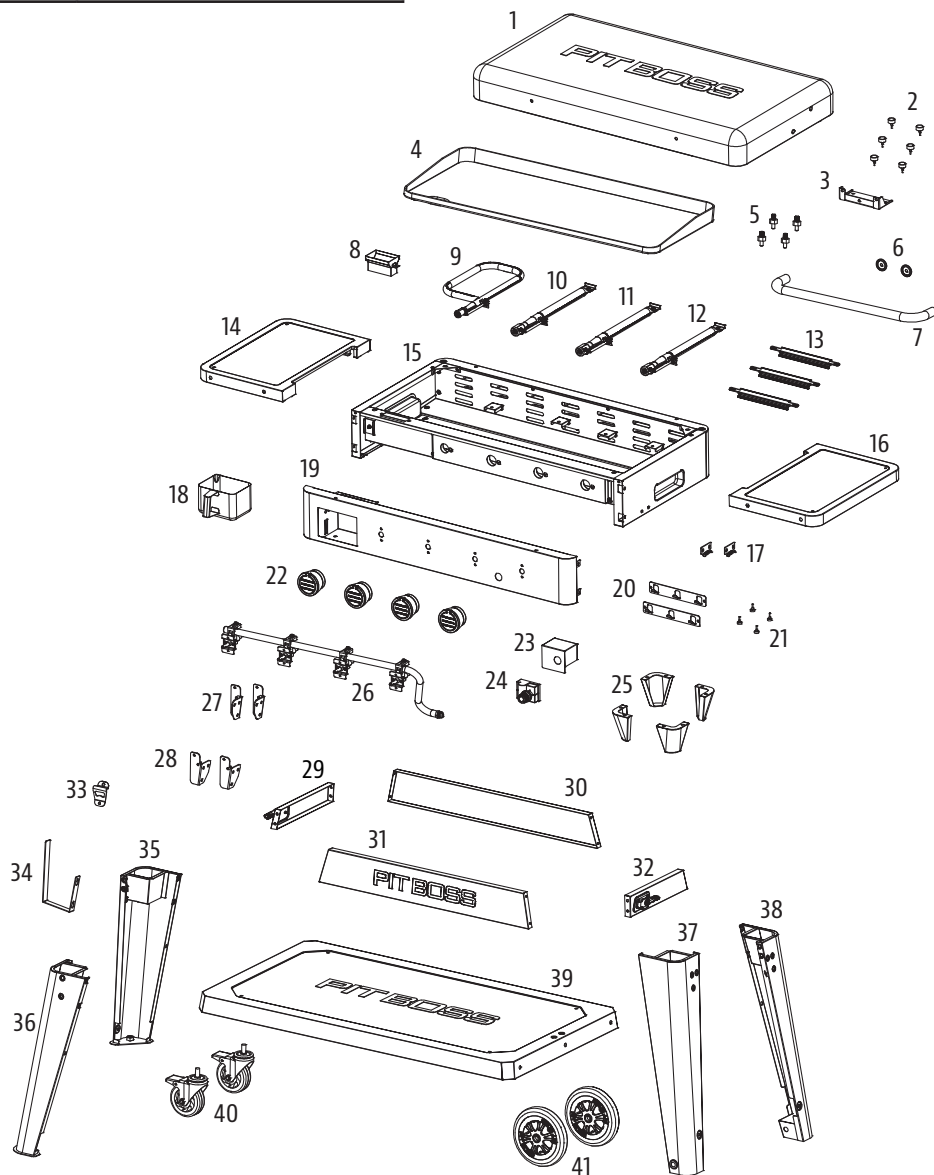


BEMÆRK: På grund af løbende produktudvikling kan dele være ændret uden varsel.  
Kontakt kundeservice, hvis der mangler dele ved montering af enheden.

# PB4BGD2

Delnr.	Beskrivelse
1	Låg (x1)
2	Gummidutter til lågstøtte (x6)
3	Lågstøtte (x1)
4	Stegeplade (x1)
5	Stegeplades benskruer (x4)
6	Låghåndtagsring (x2)
7	Låghåndtag (x1)
8	Fedtudløb (x1)
9	P-brænder (x1)
10	Venstre brænder (x1)
11	Midterbrænder (x1)
12	Højre brænder (x1)
13	Brænders overføring (x3)
14	Sidehylde - Venstre (x1)
15	Brændkasseenhed (x1)
16	Sidehylde - Højre (x1)
17	Låsekrog (x2)
18	Fedtkop (x1)
19	Brændkasses kontrolpanel (x1)
20	Sidehyldes krogpanel (x2)
21	Gummidutter til sidehylde (x4)
22	Betjeningsknap (x4)
23	Tænders varmeafskærmning (x1)
24	Tænder (x1)
25	Brændkassefødder (x4)
26	Ventilenhed (x1)
27	Sidehyldebeslag - Venstre (x2)
28	Sidehyldebeslag - Højre (x2)
29	Vogns sidepanel - Venstre (x1)
30	Vogns bagpanel (x1)
31	Vogns frontpanel (x1)
32	Vogns sidepanel - Højre (x1)
33	Flaskeåbner (x1)
34	Køkkenrullekrog (x1)
35	Støtteben til styrehjul - Bag (x1)
36	Støtteben til styrehjul - For (x1)
37	Støtteben til hjul - For (x1)
38	Støtteben til hjul - Bag (x1)
39	Underhylde (x1)
40	Styrehjul med lås (x2)
41	Hjul (x2)

Delnr.	Beskrivelse
A	Skrue (x37)
B	Spændskive (x16)
C	Låseskive (x16)
D	Skrue (x4)
E	Hjulsplit (x2)
F	Hjulspændeskive (x2)
G	Hjulakselstift (x2)
H	Batteri (x1)



DK

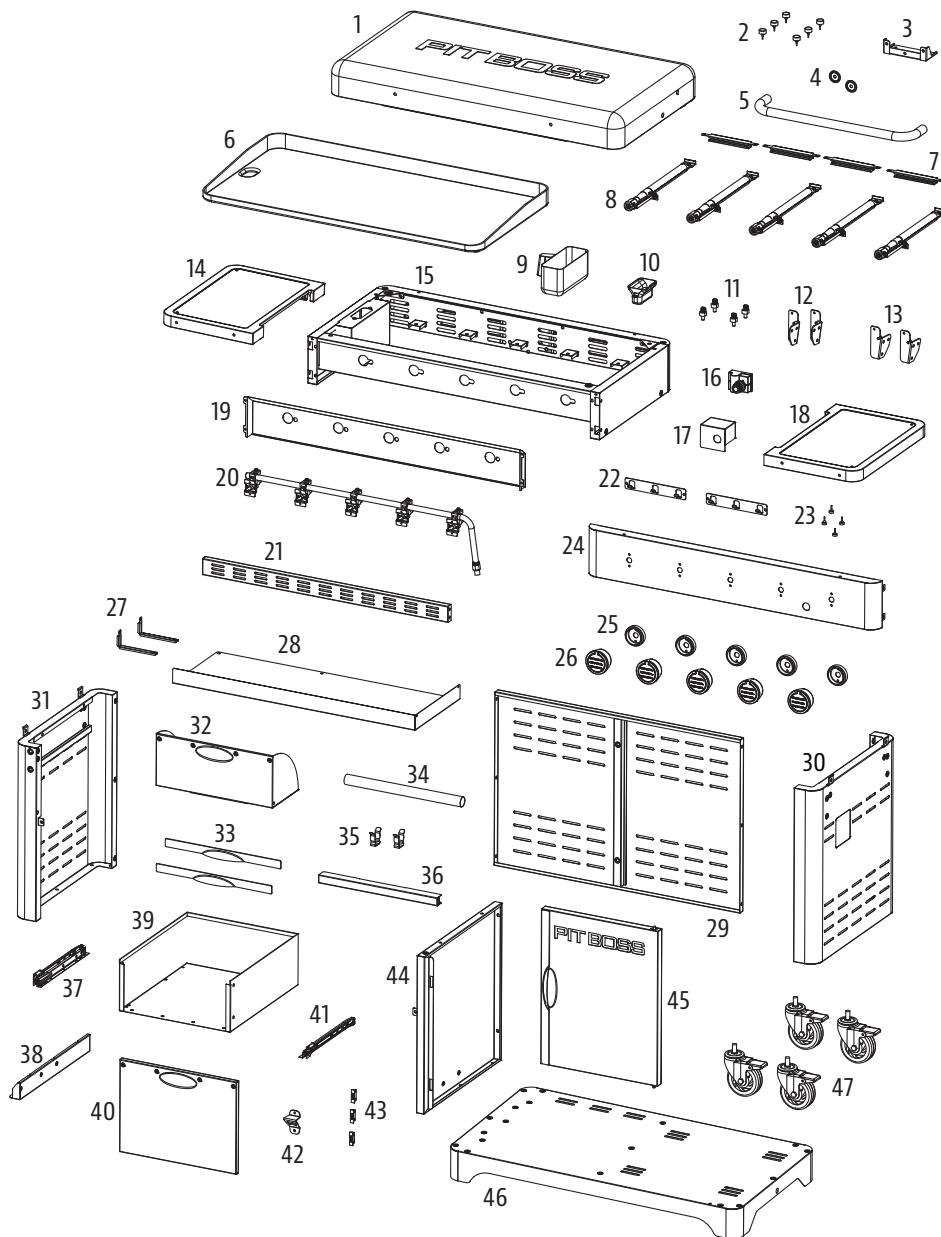
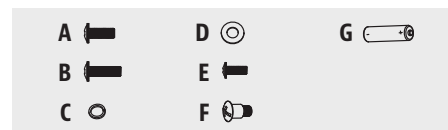
DANSK

BEMÆRK: På grund af løbende produktudvikling kan dele være ændret uden varsel.  
Kontakt kundeservice, hvis der mangler dele ved montering af enheden.

# PB5BGD2

Delnr.	Beskrivelse
1	Låg (x1)
2	Gummidutter til lågstøtte (x6)
3	Lågstøtte (x1)
4	Låghåndtagsring (x2)
5	Låghåndtag (x1)
6	Stegeplade (x1)
7	Brænders overføring (x4)
8	Brænder (x5)
9	Fedtkop (x1)
10	Fedtudløb (x1)
11	Stegeplades benschruer (x4)
12	Sidehyldebeslag – Venstre (x2)
13	Sidehyldebeslag – Højre (x2)
14	Sidehylde – Venstre (x1)
15	Brændkasseenhed (x1)
16	Tænder (x1)
17	Tænders varmeafskærmning (x1)
18	Sidehylde – Højre (x1)
19	Forreste varmeafskærmning (x1)
20	Ventilenhed (x1)
21	Vogns frontpanel (x1)
22	Sidehyldes krogpanel (x2)
23	Gummidutter til sidehylde (x4)
24	Brændkasses kontrolpanel (x1)
25	Betjeningsknappbase (x5)
26	Betjeningsknap (x5)
27	Varmeafskærmningsbeslag (x2)
28	Varmeafskærmningspanel (x1)
29	Vogns bagpanel (x1)
30	Vogns sidepanel – Højre (x1)
31	Vogns sidepanel – Venstre (x1)
32	Gyngeskuffe (x1)
33	Skuffehåndtag (x2)
34	Papirhåndklædestang (x1)
35	Stopblokering (x2)
36	Skuffes køreskinne (x1)
37	Skuffeskinner – Venstre (x1)
38	Skinnebeslag (x1)
39	Skuffe (x1)
40	Skuffeforside (x1)
41	Skuffeskinner – Højre (x1)
42	Flaskeåbner (x1)
43	Magnetisk spænde (x3)
44	Vogns skillevæg (x1)
45	Skabslåge (x1)
46	Vognbund (x1)
47	Styrehjul med lås (x4)

Delnr.	Beskrivelse
A	Skrue (x54)
B	Skrue (x2)
C	Låseskive (x14)
D	Spændskive (x14)
E	Skrue (x14)
F	Skrue (x6)
G	Batteri (x1)



BEMÆRK: På grund af løbende produktudvikling kan dele være ændret uden varsel.  
Kontakt kundeservice, hvis der mangler dele ved montering af enheden.



# GARANTI

## BETINGELSER

Alle gasplader fra Pit Boss® Grills, som er produceret af Dansons, har en begrænset garanti fra den oprindelige ejers købsdato. Garantidækningen gælder fra den oprindelige købsdato. Der kræves dokumentation for købsdatoen eller en kopi af den oprindelige købskvittering, for at garantien kan håndhæves. Kunden vil blive pålagt eventuelle udgifter til reservedele, fragt og håndtering, hvis der ikke kan fremvises købsdokumentation, og efter udløb af garantien. Dansons giver to (2) års garanti mod defekter og fejl i forarbejdningen for alle dele. Dansons garanterer, at alle dele er fri for defekter i materiale og forarbejdning, så længe den oprindelige køber bruger og ejer enheden. Garantien dækker ikke skader som følge af almindelig slitage som f.eks. ridser, buler, hak, skår eller mindre kosmetiske revner. Disse æstetiske forandringer af grillpladen påvirker ikke dens ydeevne. Dækning af reparation eller udskiftning af enhver del ophører efter den begrænsede garantiperiode på to (2) år fra købsdatoen.

I garantiperioden er Dansons' ansvar begrænset til at sikre udskiftning af de komponenter, der er defekte og/eller ikke fungerer. I garantiperioden vil Dansons ikke kræve betaling for reparation eller udskiftning af de dele, der returneres. Fragten er forudbetalt, hvis Dansons finder, at delen(e) ved nærmere undersøgelse viser sig faktisk at være defekt(e). Dansons kan ikke påtage sig betalingen af omkostninger til transport, arbejdskraft eller eksportafgifter. Undtagen som angivet i disse garantibetingelser udgør reparation eller udskiftning af dele på den måde og i den periode, der er nævnt ovenfor, alle Dansons direkte og afledte former for erstatningsansvar og forpligtelser over for dig. Dansons tager alle forholdsregler for at benytte materialer, der modvirker rustdannelse. Selv med disse foranstaltninger kan overfladebehandlinger blive ødelagt af forskellige stoffer og forhold uden for Dansons kontrol. Høje temperaturer, overdreven luftfugtighed, klor, industrielle dampe, gødning, sprøjtemidler til græsplæner og salt er nogle af de stoffer, som kan påvirke metallets overfladebehandlinger. Af denne grund dækker garantien ikke rust eller oxidering, medmindre dette skyldes konstruktionsfejl i grillpladens komponenter. Hvis et af ovennævnte tilfælde opstår, skal du se afsnittet om pleje og vedligeholdelse for at forlænge enhedens levetid. Dansons anbefaler at anvende et overtræk, når grillpladen ikke er i brug.

Denne garanti er baseret på normal brug og service af grillpladen, og en begrænset garantidækning gælder ikke for en grillplade, der bruges i kommercielle omstændigheder.

## UNDTAGELSER

Der gælder ingen skriftlig eller underforstået garanti på Pit Boss® Grills-enheder ydeevne, da producenten ikke har kontrol over installation, betjening, rengøring, vedligeholdelse eller den type brændsel, der anvendes. Denne garanti gælder ikke og Dansons påtager sig intet ansvar, hvis enheden ikke bliver installeret, betjent, rengjort og vedligeholdt i direkte overensstemmelse med denne brugervejledning. Enhver brug af gas, som ikke er anvist i denne vejledning, kan ophæve garantien. Garantien dækker ikke skader eller fejlfunktion som følge af misbrug, forkert håndtering eller ændringer af enheden. Dansons eller den autoriserede Pit Boss® Grills-forhandler påtager sig intet ansvar, juridisk begrundet eller på anden vis, for hændelige skader eller følgeskader på ejendom eller personer som følge af brugen af dette produkt. Hvis der rejses et erstatningskrav mod Dansons, som er baseret på brud på denne garanti eller nogen anden form for udtrykkelig eller indforstået garanti ifølge lovgivningen, vil producenten under ingen omstændigheder være ansvarlig for nogen særlige, indirekte skader, følgeskader eller nogen anden form for skader, der rækker ud over det oprindelige køb af dette produkt. Alle garantier fra producenten er anført her, og der kan ikke rejses krav mod producenten baseret på nogen anden garanti eller erklæring. Nogle lande eller stater tillader ikke udelukkelse eller begrænsning af ansvaret for hændelige skader eller følgeskader, eller begrænsning af indforståede garantier, så de begrænsninger eller udelukkelse, der er anført i denne begrænsede garanti, gælder muligvis ikke for dig. Denne begrænsede garanti giver dig specifikke juridiske rettigheder, og du kan have andre rettigheder, som varierer fra land til land.

## BESTILLING AF RESERVEDELE

Hvis du vil bestille reservedele, skal du kontakte din lokale Pit Boss®-forhandler eller besøge vores onlinebutik på: [www.pitboss-grills.com](http://www.pitboss-grills.com)

## CONTACT CUSTOMER CARE

Hvis du har spørgsmål eller problemer, kan du kontakte kundeservice: [www.pitboss-grills.com](http://www.pitboss-grills.com)

## SERVICE PÅ GARANTIEN

Kontakt din nærmeste Pit Boss® Grills-forhandler angående reparationer eller reservedele. Dansons kræver fremvisning af købsdokumentation for at udføre service under garantien. Derfor skal du gemme din oprindelige salgskvittering eller faktura til eventuel senere brug. Serie- og modelnummeret på din Pit Boss®-grill findes uden på enheden. Registrer numrene nedenfor, da mærkaten kan blive slidt eller ulæselig.

---

MODEL

---

SERIENUMMER

---

KØBSDATO

---

AUTORISERET FORHANDLER

DK

DANSK

# TURVALLISUUSTIEDOT

## YLEISIMPIÄ LAITETULIPALOJEN AIHEUTTAJIA OVAT PUUTTEELLINEN YLLÄPITO SEKÄ LIIAN PIENET SUOJAETÄISYYDET PALAVIIN MATERIAALEIHIN. ON OLENNAISEN TÄRKEÄÄ, ETTÄ TÄTÄ TUOTETTA KÄYTETÄÄN VAIN SEURAAVIEN OHJEIDEN MUKAISESTI.

Lue ja sisäistä tämä koko käyttöopas ennen kuin yrität koota, käyttää tai asentaa tätä tuotetta. Näin varmistat, että uuden kannettavan kaasupaistotason käyttö on mahdollisimman miellyttävää ja ongelmattonta. Suosittelemme myös, että säilytät tämän käyttöoppaan tulevaa tarvetta varten.

### PROPAANIKAASUVAROITUKSE



#### VAARA

Jos haistat kaasua:

- Sulje kaasun syöttö laitteeseen
- Sammuta mahdollinen avotuli.
- Avaa kansi.
- Jos haju ei häviä, pysytele kaukana laitteesta ja soita välittömästi kaasuntoimittajalle tai palokunnalle.



#### VAROITUS

- Älä säilytä tai käytä bensiiniä tai muita syttyviä nesteitä tai kaasuja tämän tai minkään muun laitteen lähellä.
- Nestekaasusylinteriä, jota ei ole liitetty käyttöä varten, ei saa säilyttää tämän tai minkään muun laitteen lähellä.
- Käyttö edellyttää vakiomallista grilleihin tarkoitettua kaasusylinteriä, joka on tarkkuustäytetty nestemäisellä G30/G31-propaanikaasulla ja jossa on ulkoiset venttiilikierteet. Sylinterin suurin sallittu läpimitta ja korkeus on 300 mm ja 600 mm.

1. Varmista, että kaasusylinteri on ostettu hyvämaineiselta toimittajalta. Väärin täytetty tai liian täyteen täytetty nestekaasupullo voi olla vaarallinen. Jos nestekaasupullo on liian täynnä, sen lämpeneminen (kuuma kesäpäivä, pullo jätetty aurinkoon tms.) voi aiheuttaa nestekaasun vapautumista, koska lämpötilan kohoaminen saa kaasun laajenemaan. Sylinteristä vapautuva kaasu on syttyvää ja voi räjähtää.
2. Älä käytä nestekaasusylinteriä, jos sen venttiili on vaurioitunut tai siinä on nähtävissä merkkejä lommoista, kolhuista, pullistumista, palovahingosta, korroosiota, vuodosta, liikaa ruostetta tai muita silmin havaittavia ulkoisia vaurioita. Se saattaa olla vaarallinen ja nestekaasun toimittajan pitäisi tarkastaa se välittömästi.

**Jos näet, haistat tai kuulet sylinteristä vapautuvan kaasun sihinää, älä yritä sytyttää laitetta. Sammuta mahdollinen avotuli. Irrota laite polttoaineen syötöstä.**

3. Älä liitä tai irrota kaasusylinteriä, kun laite on käytössä tai vielä kuuma. Kun paistotaso ei ole käytössä, varmista, että säätönuppi on käännetty OFF (katkaistu) -asentoon, ja irrota kaasusylinteri. Älä koskaan liikuta tai siirrä laitetta, kun kaasusylinteri on liitetty. Nestekaasun varasylinteriä ei saa säilyttää laitteen alla tai lähellä.
4. Sylintereitä on säilytettävä ulkona lasten ulottumattomissa, eikä niitä saa säilyttää rakennuksessa, autotallissa tai muussa suljetussa tilassa.

5. Palamisilman ja tuuletusilman virtausta tähän laitteeseen ei saa estää. Pidä poltinputki ja aukot puhtaina ja jätettöminä. Puhdista ennen käyttöä. Säännöllisillä huolto- ja ylläpitotoimilla yksikön käyttöikä pitenee.
6. Tee aina tarkastus kaasuvuotojen varalta, kun liität säätimen kaasusylinteriin tai irrotat sen kaasusylinteristä, erityisesti varastossa säilytyksen (esimerkiksi talvisäilytyksen) jälkeen. Tarkasta kaikki liitännät vuotojen varalta käyttämällä saippuavesiliuosta ja harjaa. Vuotojen tarkistamiseen ei saa koskaan käyttää avotulta.
7. Puhdista ja tarkasta kaasusäädin aina ennen kuin käytät kaasulaitetta, joka on tarkoitettu ruuanvalmistukseen ulkoilmassa. Vaihda kaasusäädin ennen käyttöä, jos merkkejä liiallisesta kulumisesta tai käytöstä on havaittavissa.
8. Operate this appliance using liquefied petroleum only, which is also specified on the rating label on the unit. Do not attempt to operate your grill on other gases. Do not attempt to convert this LP unit to natural gas. Failure to follow this warning could lead to fire, bodily harm, and will void your warranty.
9. Käytä tätä laitetta vain nestekaasulla, joka on myös määritetty laitteen arvokilvessä. Grilliä ei saa yrittää käyttää muilla kaasuilla. Nestekaasuyksikköä ei saa yrittää muuntaa luonnonkaasuyksiköksi. Tämän varoituksen noudattamatta jättäminen voi johtaa tulipaloon ja ruumiinvammojen syntymiseen, ja mitätöi takuun.

## VAARAT JA VAROITUKSET

**Sinun on otettava yhteyttä omaan asunto-osakeyhtiösi, rakennus- tai paloviranomaisiin tai muuhun soveltuvaan viranomaiseen tarpeellisten lupien hankkimista varten sekä saadaksesi tietoa asennusta koskevista rajoituksista, kuten grillin asennus palavalle alustalle, tarkastusvaatimukset tai jopa mahdollisuus käyttää tuotetta alueellasi.**

1. Paistotason sivuilla on oltava aina 1,27 metrin vähimmäisetäisyys tulenarkoihin rakenteisiin ja 1,27 metrin vähimmäisetäisyys paistotason takana. **Älä asenna laitetta tulenaralle tai tulenaroilla pinnoilla suojatulle lattialle, ellei asianmukaisia lupia ole saatu toimivaltaisilta viranomaisilta.** Älä käytä tätä laitetta sisätiloissa tai suljetussa, tuulettamattomassa tilassa, kuten kodeissa, kulkuneuvoissa, teltoissa tai autotalleissa. Tätä nestekaasupaistotisolaitetta ei saa asettaa tulenaran katon tai ulokkeen alle. Säilytä paistotasoasi alueella, jolla ei ole tulenarkoja materiaaleja, bensiiniä tai muita syttyviä höyryjä tai nesteitä.

**Rasvapalon sattuessa käänä grillin säädin OFF-asentoon ja pidä kansi suljettuna, kunnes palo on sammunut. Irrota virtajohto. Älä heitä vettä laitteen päälle. Älä yritä tukahduttaa tulta. Kaikkiin luokkiin (luokat ABC) hyväksytyt palosammutin on hyvä olla paikan päällä saatavilla. Hallitsemattoman palon tilanteessa soita palokunnalle.**

2. Denne udendørs grill er ikke beregnet til installation i/på beboelsesvogne eller både.

**Brug aldrig denne enhed i et lukket rum som f.eks. en autocamper, et telt, en bil, en båd eller i hjemmet. Denne enhed er ikke beregnet til og må aldrig bruges til opvarmning.**

3. Det anbefales ikke, at denne enhed benyttes af børn eller personer med reducerede fysiske, sanselige eller mentale evner eller manglende erfaring eller viden, medmindre de overvåges eller instrueres direkte af en person, som er ansvarlig for deres sikkerhed.
4. Dele af grillen kan være meget varm og forårsage alvorlig personskade. Hold små børn og kæledyr på afstand, når enheden er i brug. Undgå at berøre varme overflader. Brug altid varmeresistente handsker, en tang med langt håndtag eller grydelapper, da grillen kan blive meget varm.
5. Älä koskaan käytä grilliä ilman rasvakuppia asennettuna ja ripustettuna tulipesän alle. Ilman rasvakuppia kuumat rasvat ja roskat voivat vuotaa alaspäin ja aiheuttaa tulipalon vaaran.

## HIILIMONOKSIDI ("HILJAINEN TAPPAJA")

Käytä kaasulaitetta aina ulkoilmassa avoimella alueella, jossa ilma vaihtuu hyvin, jotta vältyt hengittämästä myrkyllisiä palokaasuja tai vuotavaa kaasua. Hiilimonoksidi eli häkä on väritön, hajuton ja mauton kaasu, jota muodostuu kaasua, puuta, propaania, hiiltä tai muuta polttoainetta poltettaessa. Hiilimonoksidi heikentää veren hapenkuljetuskykyä. Alhainen veren happipitoisuus voi johtaa päänsärkyyn, huimaukseen, heikotukseen, pahoinvointiin, oksentamiseen, uneliaisuuteen, sekavuuteen, tajunnan menetykseen tai kuolemaan. Näitä ohjeita noudattamalla voit estää tätä väritöntä ja hajutonta kaasua myrkyttämästä sinua, perhettäsi ja muita:

- Käy lääkärissä, jos sinulle tai muille tulee nuhan tai flunssan kaltaisia oireita ruokaa valmistettaessa tai laitteen läheisyydessä oleskeltaessa. Häkämyrkytys, joka helposti sekoitetaan nuhaan tai flunssaan, havaitaan usein liian myöhään.
- Alkoholien ja huumeiden käyttö lisää häkämyrkytyksen vaikutuksia.

Hiilimonoksidi on erityisen myrkyllistä äidille ja lapselle raskauden aikana, pienille lapsille, vanhuksille, tupakoitsijoille ja henkilöille, joilla on vereen tai verenkiertojärjestelmään liittyviä ongelmia, kuten anemia tai sydänvika.

## TURVALLISUUSSELOSTE

Conformité Européenne (CE)-merkinnän menettelyiden ja määritelmien mukaisesti Pit Boss® -kaasugrillilaitteet osoittavat testatusti, että ne ovat kaikkien EU:n (Euroopan unionin) ja Euroopan talousalueen (ETAn) standardien ja direktiivien mukaisia sekä noudattavat kaikkia turvallisuutta, terveellisyyttä ja ympäristöä koskevia suojausvaatimuksia.



	LÄMMÖNTUOTTO	POLTTIMIEN MÄÄRÄ		TYPE OF BURNER	SUUTTIMEN KOKO	KAASU/PAINE	KÄYTTÖMAA
		SUORA POLTIN	P-POLTIN				
PB2BGD2	7,63 KW G30 – 555 g/h G31 – 545 g/h	1	1	SUORA POLTIN	0,8 mm	G30: 28–30 mbar G31: 37 mbar G30/G31-seos: 30 mbar	<b>I3+ (28-30/37) :</b> BE, CH, CY, CZ, ES, FR, GB, GR, IE, IT, LT, LU, LV, PT, SK, SI  <b>I3B/P (30) :</b> BE, CY, DK, EE, FR, GB, HU, IT, LT, NL, NO, SE, SI, SK, RO, HR, TR, BG, IS, LU, MT, FI  <b>I3B/P (37) :</b> PL  <b>I3B/P (50) :</b> AT, DE, SK, CH
PB3BGD2	10,5 KW G30 – 768 g/h G31 – 755 g/h	2	1		0,75 mm	G30/G31-seos: 37 mbar	
					0,72 mm	G30/G31-seos: 50 mbar	
PB4BGD2	13,49 KW G30 – 982 g/h G31 – 964 g/h	3	1	P-POLTIN	1,02 mm	G30: 28–30 mbar G31: 37 mbar G30/G31-seos: 30 mbar	
					0,97 mm	G30/G31-seos: 37 mbar	
					0,93 mm	G30/G31-seos: 50 mbar	
PB5BGD2	14,65 KW G30 – 1066 g/h G31 – 1047 g/h	5	0				



## TEKIJÄNOIKEUKSIA KOSKEVA HUOMAUTUS

Tekijänoikeus 2021. Kaikki oikeudet pidätetään. Tämän ohjekirjan mitään osaa ei saa kopioida, välittää eteenpäin, litteroida tai tallentaa hakujärjestelmään missään muodossa tai millään tavoin ilman nimenomaista kirjallista lupaa, jonka on myöntänyt

### DANSONS EUROPE

11 Rue Galvani Pariisi, Ranska 75017

### DANSONS POHJOIS-AMERIKA

3411 North 5th Avenue, Suite 500, Phoenix, AZ, USA 85013

### ASIAKASPALVELU

[www.pitboss-grills.com](http://www.pitboss-grills.com)

## SISÄLLYSLUETTELO

Turvallisuustiedot .....	122
<b>Kaasupulloon liittäminen</b>	
Kaasusylinteriä koskevat vaatimukset .....	126
Kaasuliittimen asentaminen jakotukkiin .....	126
Kaasusylinterin kiinnittäminen .....	127
Käytön valmistelu – vuototesti.....	128
Kaasusylinterin irrottaminen .....	128
<b>Käyttöohjeet</b>	
Paistotason ympäristö.....	129
Ensimmäinen käyttö – paistotason alkupoltto .....	130
Sytytys .....	130
Manuaalinen sytytys .....	131
Paistotason sammuttaminen.....	131
Paistotason nostaminen karrystä .....	132
Roskapussitelineen käyttäminen .....	133
Huolto ja ylläpito .....	134
Vinkkejä ja tekniikoita .....	135
Vianetsintä .....	136
Vaihto-osat.....	137
Takuu.....	141

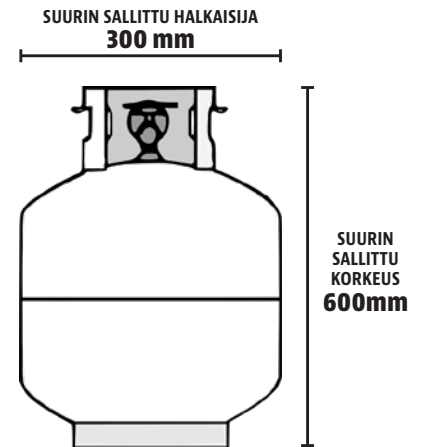
# KAASUPULLOON LIITTÄMINEN

## KAASUSYLINTERIÄ KOSKEVAT VAATIMUKSET

Käyttö edellyttää vakiomallista grilleihin tarkoitettua kaasusylinteriä, joka on tarkkuustäytetty nestemäisellä G30/G31-propanikaasulla ja jossa on ulkoiset venttiilikierteet. Käytä vakiomallista joustavaa letkua, jonka pituus on alle 1,5 m. Letkun tulee jäädä helposti silmäiltäväksi koko pituudeltaan asennuksen jälkeistä tarkastusta varten.

Sylinterin suurin sallittu läpimitta ja korkeus on 300 mm ja 600 mm kuvan mukaisesti.

**HUOMIO: Sinulla tulee olla asianmukainen säädin, jota vastaava standardi on EN16129, ja pullo, jotta grilli voi toimia turvallisesti ja tehokkaasti. Väärän tai viallisen säätimen käyttö on vaarallista ja mitätöi kaikki takuut. On tärkeää tarkastaa letku koko pituudeltaan. Jos on ilmeistä, että letkussa on liiallista kulumaa tai viilto, se on vaihdettava ennen laitteen käyttöä.**

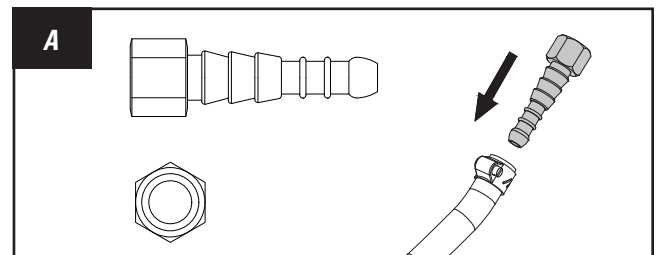


## KAASULIITTIMEN ASENTAMINEN JAKOTUKKIIN

Kaikki jakelijat eivät myy säätimellä varustettua paistotasoja, se vaihtelee ostopaikan ja -maan mukaan. Jakotukin kytkentäsarja sisältyy pakkaukseen, jos kaasusäädintä ei ole valmiiksi koottu. Valitse mukana tulleesta jakotukin kytkentäsarjasta liitin, joka sopii kaasujakotukillesi ja säätimen letkulle. Jotta kaasuliitin olisi helpompi asentaa, nosta tai irrota paistotaso kärrystä. Aseta se ylösalaisin pahvilevyn päälle naarmujen tai vaurioiden välttämiseksi.

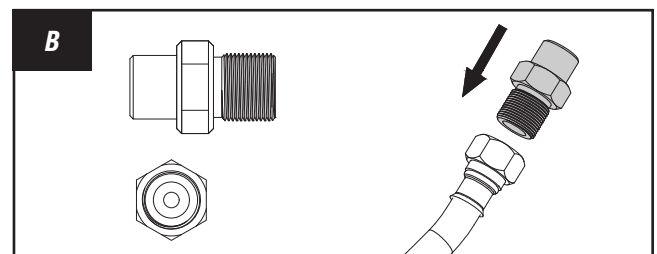
- **LIITIN A – KAPENEVA**  
Työnnä liittimen kapeneva pää säätimen letkuun, ja lukitse se tiukasti letkunkiristimellä.

Huomioi kuva A.



- **LIITIN B – KIERTEINEN**  
Aseta kierteinen urosliitin säätimen letkun naaraspäähän. Kiristä liitin kiertämällä perille saakka.

Huomioi kuva B.



Jatka seuraavaan vaiheeseen, kaasusylinterin asentamiseen. Pidä paistotaso vielä irrallaan kärrystä.

## KAASUSYLINTERIN KIINNITTÄMINEN

**TÄRKEÄÄ:** Jos jakotukki edellyttää liittintä, noudata liittimen asennusohjeita ennen laitteen liittämistä kaasusylinteriin.

Varmista ennen liittämistä, että kaasusylinterin, säätöventtiilin tai polttimen ja poltinaukkojen päähän ei ole juuttunut jätettä.

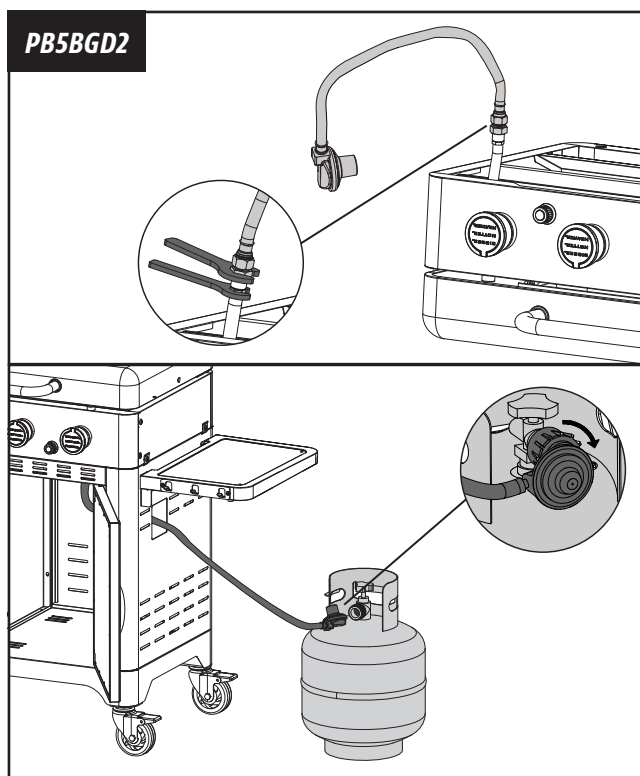
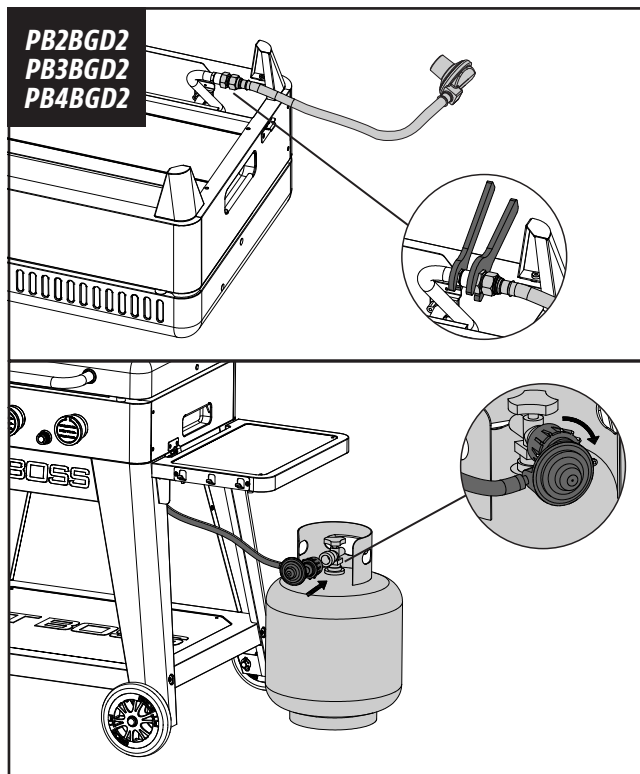
1. Jos säädin on asennettu valmiiksi, siirry seuraavaan vaiheeseen.

Jos jakotukin kytkentäsarjan liitin asennettiin, pidä paistotaso vielä irrallaan kärrystä säätimen asennusta varten. Kytke säätimen letku paistotason jakotukkiin kiristämällä tiukasti jokoavaimella. Asenna paistotaso takaisin kärryyn, kun säädin ja säätimen letku on asennettu. Varmista, että säätimen letku ei ole kiertynyt tai puristunut millään tavalla, kun paistotaso on takaisin kärryssä.

2. Jos paistotasosi on varustettu kaapilla, vie säädin ja säätimen letku kärryn oikeanpuoleisten jalkojen välistä.
3. Aseta kaasusylinteri kärryn oikealle puolelle. Varmista, että kaasusylinterin venttiili on CLOSED (suljettu) -asennossa. On tärkeää varmistaa, että kaasusylinteri on täysin pystyasennossa, koska paistotasoa ei ole turvallista käyttää, jos kaasusylinteri ei ole pystysuorassa tai vakaalla alustalla.
4. Varmista, että paistotason säätönupit ovat täysin suljettuja kääntämällä nuppia myötäpäivään "O" (OFF) -asentoon.
5. Poista suojatulpat säätöventtiilin aukosta ja kaasusylinterin yläosasta. Säilytä tulpat.
6. Aseta kaasusylinterin venttiili säätöventtiilin kierteitettyyn aukkoon. Kierrä pikaliittimen mutteria myötäpäivään, kunnes se on tukevasti kiinni. Kiristä ainoastaan käsin.
7. Kaasusylinteri on nyt asennettu. Suorita vuototesti.

**VAROITUS:** Jos haistat kaasua, sulje kaasusylinteri. Yritä asentaa kaasusylinteri uudelleen varmistaaksesi, että letku on liitetty asianmukaisesti. Suorita vuototesti.

**HUOMAUTUS:** Kaasun normaali virtaus säätimen ja letkukokoonpanon läpi voi luoda humisevan äänen. Matala äänenvoimakkuus on täysin normaalia, eikä se häiritse paistotason toimintaa. Jos humina on voimakasta ja liiallista, sinun on ehkä tyhjennettävä ilma kaasuletkusta tai nollattava säätimen ylivirtauslaite. Tämä tyhjennys tulisi tehdä joka kerta, kun paistotasoon kytketään uusi nestekaasusäiliö.





## KÄYTÖN VALMISTELU – VUOTOTESTI

Vuototestiä käytetään tiivisteiden eheyden määrittämiseen. Ennen kuin käytät kaasugrillia, suorita vuototesti säätimen ja kaasusylinterin liitännässä, jotta tulipalosta tai räjähdyksestä aiheutuvan vakavan vamman riski pienenee. Vuototesti on suoritettava vähintään kerran kaudessa sekä

- ennen grillin ensimmäistä sytytystä
- aina kun kaasusylinteri on vaihdettu
- kuljetuksen jälkeen – erityisesti jos tiet ovat epätasaisia tai kuoppaisia
- pitkäaikaisen varastoinnin tai käyttämättä olon jälkeen.

### VUOTOTESTIN SUORITTAMINEN

#### Tarvikkeet:

1 x kulho (*tyhjä, puhdas*)

1 x maalisuti (*puhdas*)

Astianpesunestettä

Vettä

#### Toimenpiteet:

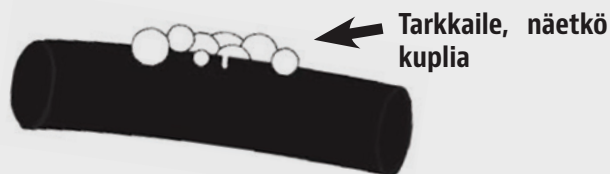
1. Sijoita grilli alueelle, jossa ilma vaihtuu hyvin. Varmista, että grilli on täysin viileä pinnalta eikä käytössä. Varmista, että säätönappi on käännetty OFF-asentoon ja kaasusylinteri kiinnitetty tiukasti säätimeen.

**TÄRKEÄÄ:** Varmista, ettei lähellä ole avotulta tai tupakoitsijoita.

2. Sekoita kulhossa yksi osa vettä yhteen osaan astianpesunestettä. Liuos kuplii, koska se väkevöityy.
3. Levitä maalisudilla liuosta säätimen ja kaasusylinterin välissä olevaan tiivisteeseen. Tarkasta silmämääräisesti, näkykö tiivisteessä mahdollisesti olevasta viasta tai raosta tulevan kuplia.

**HUOMAUTUS:** Jos tiiviste vuotaa, suorita kaasusylinterin asennusmenettely uudelleen, mutta älä kiristä liikaa. Kiristä ainoastaan käsin. Suorita vuototesti taas uudelleenasennuksen jälkeen varmistaaksesi, että tiiviste pitää.

**TÄRKEÄÄ:** Älä käytä kaasugrillia, jos havaitset vuototestissä kaasuvuodon, jota ei voida korjata. Tiedustele paikalliselta palolaitokselta tai asiakaspalvelusta testaukselle vaihtoehtoisia toimenpiteitä varmistaaksesi asianmukaiset varotoimet.



### KAASUSYLINTERIN IRROTTAMINEN

1. Varmista, että grillissä oleva säätönappi on täysin suljettu kääntämällä se OFF-asentoon. Käännä nestekaasusylinterin venttiili CLOSED (suljettu) -asentoon ja anna säätönupin ponnahtaa ulos.
2. Käännä sylinteriä vastapäivään (käsin) irrottaaksesi sen säätöventtiilin aukosta. Aseta suojatulpat takaisin säätöventtiilin aukkoon ja kaasusylinterin päälle säilytystä varten (ellei se ei ole tyhjä).

**HUOMAUTUS:** Jos säilytät ristikkoo sisätiloissa, jätä kaasupullo ulkona.

**VAROITUS:** Älä kuljeta grilliä kaasusylinterin ollessa liitettynä. Sylinteri saattaa löystyä venttiilistä ja aiheuttaa kaasuvuodon, josta voi seurata räjähdys, tulipalo tai vakava ruumiinvamma. Irrota kaasusylinteri ennen kuljetusta tai varastointia. Jos grilliä säilytetään sisätiloissa, jätä kaasusylinteri ulos.

# KÄYTTÖOHJEET

## PAISTOTASON YMPÄRISTÖ

### 1. PAISTOTASON ASEMOINTI

Kuten kaikkien ulkona käytettävien laitteiden kohdalla, ulkoilmaolosuhteilla on suuri vaikutus paistotason toimintaan ja täydellisten aterioiden valmistusaikaan. Kaikkien Pit Boss® Grills -laitteiden ympärillä tulee olla vähintään 1,27 metrin etäisyys tulenarkoihin rakenteisiin. Tämä turvaetäisyys on huomioitava aina kun laite on käytössä. Tätä laitetta ei saa asettaa tulenaran katon tai ulokkeen alle. Säilytä paistotasoasi alueella, jolla ei ole tulenarkoja materiaaleja tai muita syttyviä höyryjä tai nesteitä.

### 2. RUOANVALMISTUS KYLMÄLLÄ ILMALLA

Sään viileessä ei tarvitse ajatella, että grillikausi on ohi! Kuulaan viileä ilma ja grillattujen ruokien taivaallinen aromi auttavat selättämään talvisen alakulun. Nämä ehdotukset auttavat nauttimaan grillistäsi viileämpien kuukausien aikana:

- Ole järjestelmällinen – kerää kaikki tarvitsemasi valmiiksi keittiössä ennen kuin suuntaat ulos. Siirrä grillisi talvella paikkaan, joka ei ole alttiina tuulelle ja suoralle pakkaselle. Tarkista paikalliset säännökset liittyen grillin etäisyyteen talosta ja/tai muista rakenteista. Kokoa kaikki tarvitsemasi tarjottimelle, pukeudu lämpimästi ja ala kokata!
- Pidä silmällä ulkolämpötilaa asettamalla ulkolämpömittari lähelle ruoanvalmistuspaikkaasi. Pidä kirjaa siitä, mitä ruokia olet valmistanut, sekä ulkoilman lämpötilasta ja ruoanvalmistusajasta. Tämä auttaa sinua myöhemmin päättämään, mitä kannattaa valmistaa ja kuinka kauan siinä kestää.
- Pidä lämmitettyä lautasta tai kannellista astiaa valmiina niin, että ruoka säilyy lämpimänä sisälle viennin aikana.

### 3. RUOANVALMISTUS KUUMALLA ILMALLA

Kun sää ulkona lämpenee, valmistusaika lyhenee. Nämä ehdotukset auttavat nauttimaan grillistäsi kuumien kuukausien aikana:

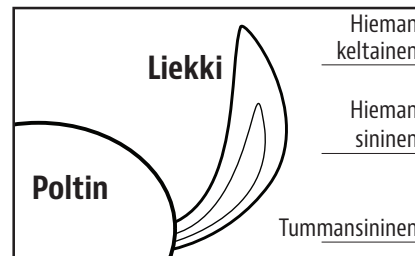
- Säädä ruoanvalmistuslämpötiloja matalammiksi. Näin estät tahattomat tulen leimahdukset.
- Käytä lihalämpömittaria ruokien sisälämpötilan mittaamiseen. Näin estät ruokien ylikypsymisen ja kuivumisen.
- Voit pitää ruokia kuumana käärimällä ne folioon ja pitämällä niitä eristetyssä kylmälaukussa. Pakkaa rutistettua sanomalehtipaperia folion ympärille; näin ruoka säilyy kuumana 3–4 tunnin ajan.

## ENSIMMÄINEN KÄYTTÖ – GRILLIN ALKUPOLTTO

Ennen ensimmäistä grillauskertaa on tärkeää suorittaa alkupoltto. Sytytä paistotaso ja käytä sitä vähintään 15 minuuttia korkealla (HIGH) lämpötilalla, jotta laite puhdistuu. Tämä toimenpide "kuumapuhdistaa" sisäosat, hälventää hajut ja poistaa mahdolliset vierasaineet.

### SYTYTYS

1. Avaa kansi sytytyksen aikana.
2. Aseta kaikki säätönupit asentoon "O".
3. Avaa sylinteri/kaasuventtiili säiliön käyttöohjeen mukaisesti.
4. Työnnä ja kierrä polton säätönuppia vastapäivään asentoon "🔥 (sytytysasento)".
5. Paina sytytyspainiketta, kunnes poltin syttyy.
6. Jos poltin ei syty 5 sekunnissa, kierrä venttiili asentoon "O", odota 5 minuuttia ja toista sytytysvaiheet. Tarkkaile polttimen liekkiä sytytyksen jälkeen. Varmista, että kaikki poltinaukot on sytytetty ja liekkien korkeus vastaa viereistä kuvitusta.
7. Jos yllä luetellut toimenpiteet eivät tuota tulosta, noudata kohdan **Manuaalinen sytytys** ohjeita.



**Jos poltin sammuu käytön aikana, käännä säätönupit "O" (OFF) -asentoon. Odota viisi minuuttia ennen kuin yrität uudelleensytytystä, jotta kerääntynyt kaasu ehtii hälvetä.**

### TOIMINTA SYTYTTIMEN VIKATILANTEESSA

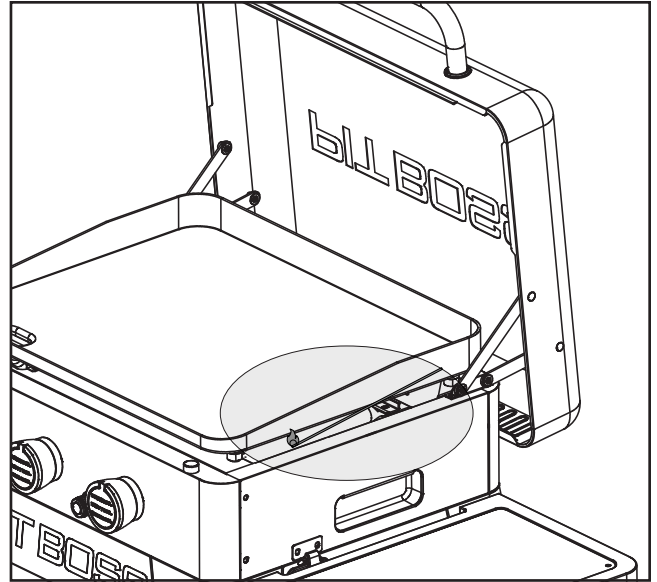
**Jos sytytin ei jostain syystä syty kolmen tai neljän yrityksen jälkeen, suorita seuraavat toimenpiteet tai käynnistä grilli manuaalisella tavalla.**

1. Varmista, että säätönupit on käännetty OFF-asentoon. Anna mahdollisen kerääntyneen kaasun hälvetä.
2. Tarkista viiden minuutin kuluttua seuraavat seikat:
  - Tarkista silmämääräisesti, että sytytin toimii, painamalla sytytyspainiketta ja katsomalla, antaako sytytyskärki kipinän. Jos kipinää ei näy, säädä sytytyskärjen (elektrodin) ja polttimen etäisyys 4,5 mm:iin.
  - Tarkista silmämääräisesti, että polttimen letku ja aukot eivät ole tukossa. Jos ne ovat tukossa, noudata huolto- ja ylläpito-ohjeita.
3. Jos yllä mainitut kohdat eivät tuota tulosta, noudata kohdan **Vianetsintä** ohjeita.

## MANUAALINEN SYTYTYS

1. Avaa kansi sytytyksen aikana.
2. Aseta kaikki säätönupit asentoon "0".
3. Avaa sylinteri/kaasuventtiili säiliön käyttöohjeen mukaisesti.
4. Käytä polttimen sytyttämiseen sytytettyä tulitikkaa tai pitkäkärkistä sytytintä nopeasti ja varovasti. Käsittele poltinta paistolevyn alapuolelta. Vie sytytetty tulitikku lähelle polttimen sivua.

**HUOMIO: Älä yritä sytyttää poltinta muusta kohdasta. Tämä voi aiheuttaa vamman.**



5. Työnnä ja kierrä polttimen säätönuppia vastapäivään asentoon "🔥 (sytytysasento)" ja pidä nuppia paikallaan 10 sekunnin ajan polttimen sytyttyä. Kuulet kipinän "napsahdavan" äänen vasta, kun nappi vapautetaan.

**HUOMAUTUS: Älä käytä spriitä, sytytysnestettä tai kerosiinia paistotason tulen sytyttämiseen tai herättämiseen.**

6. Jos poltin ei syty 5 sekunnin kuluessa, kierrä polttimen säätönappi asentoon "0", odota 5 minuuttia ja toista sytytysvaiheet. Tarkkaile polttimen liekkiä sytytyksen jälkeen. Varmista, että kaikki poltinaukot on sytytetty ja liekkien korkeus vastaa aiempaa liekkikuvitusta.

**HUOMAUTUS: Jokainen poltin syttyy itsenäisesti – toista samat vaiheet muiden polttimien osalta.**

**VAROITUS: Älä koskaan kallista ylävartaloasi ruoanvalmistusalueen yläpuolelle, kun sytytät kaasupaistotason. Pidä kasvosasi ja vartalosi turvallisella etäisyydellä (vähintään 457 mm) ruoanvalmistusritilän pinnasta, kun sytytät paistolevyä tulitikulla.**

7. Jos yllä luetellut toimenpiteet eivät tuota tulosta, selvitä ongelmaa kohdasta *Vianetsintä*.

## PAISTOTASON SAMMUTTAMINEN

1. Kun ruoka on valmista, käännä kaasusylinterin venttiili CLOSED (suljettu) -asentoon ja anna säätönupin ponnahtaa ulos. Tämä turvaominaisuus lukitsee säätönupin ja varmistaa, ettei kaasua enää virtaa.
2. Käännä säätönupit "0"-asentoon.

**HUOMAUTUS: Puhauttava ääni on normaali, kun loput nestekaasusta palaa loppuun.**

3. Irrota kaasusyöttö *Kaasusylinterin irrottaminen* -kohdan ohjeiden mukaisesti.

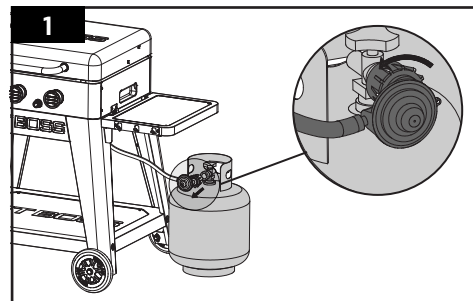
**VAROITUS: Anna paistotason jäähtyä kokonaan ja irrota kaasusylinteri ennen karrin liikuttamista, kuljettamista tai varastointia.**

# PAISTOTASON NOSTAMINEN KÄRRYSTÄ

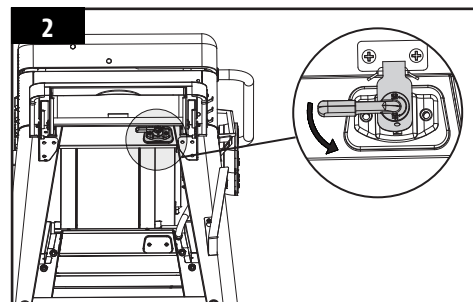
Jos paistotasosi on mallia PB2BPGG, PB3BPGG tai PB4BPGG, sen voi nostaa nopeasti ja helposti kärrystä ajoneuvon tavaratilaan tai matkalle. Noudata vain kokoamisohjeita käänteisessä järjestyksessä tai seuraavaa yhteenvetoa:

**TÄRKEÄÄ:** Varmista aina, että paistotaso on täysin jäähtynyt ja irrotettu kaasusyötöstä ja että rasvakuppi on poistettu.

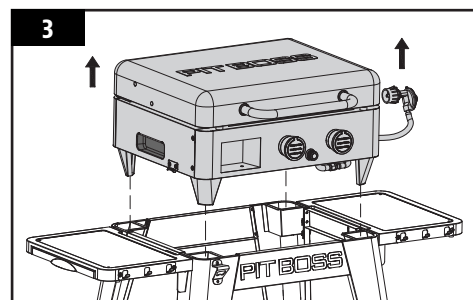
1. Irrota laite kaasusyötöstä. Irrota paineensäätöyksikkö sylinterin venttiilistä kiertämällä pikaliittimen mutteria vastapäivään.



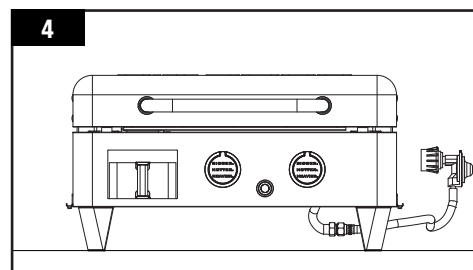
2. Käännä salvat (yksi kummallakin puolella) avataksesi tulipesän ja kärryn keskinäisen lukituksen.



3. Nostakaa yhdessä toisen henkilön kanssa paistotaso varovasti ulos kärrystä käyttämällä päädyissä olevia nostouria. Olkaa erityisen varovaisia säätimen ja letkun kanssa nostamisen aikana.



4. Laskekaa tulipesä heti maahan tai haluamaanne paikkaan, jotta vältätte loukkaamasta itseänne tai vaurioittamasta laitetta.

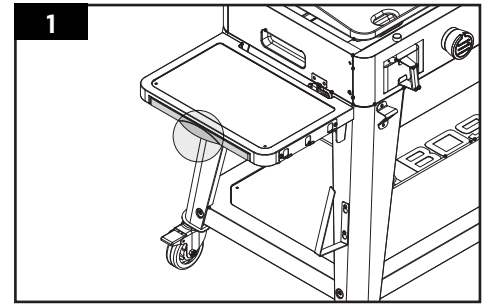


# ROSKAPUSSITELINEEN KÄYTTÄMINEN

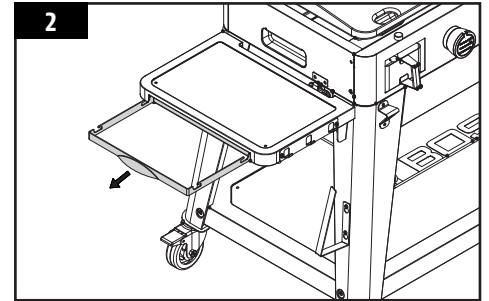
Roskien kerääminen on nyt helpompaa kuin koskaan roskapussitelineen ansiosta. Vasemman sivuhyllyn alla sijaitseva, ruostumattomasta teräksestä valmistettu kehys on helppo puhdistaa ja toimii telineenä tavalliselle, säännöllisen kokoiselle kaupan muovipussille, jonka tilavuus on yleensä noin 10–20 litraa. Kehys on suunniteltu kannattelemaan myös useimpia tavallisia roskapusseja (kahvallisia tai kahvattomia), joiden tilavuus on enintään 60 litraa.

**TÄRKEÄÄ: Huomioi, kuinka paljon painoa roskapussitelineessä roikkuvaan pussiin kertyy. Vaihda pussi riittävän usein, jotta roskapussitelineen rakenne ja osat eivät kuormitu liikaa ja vaurioidu.**

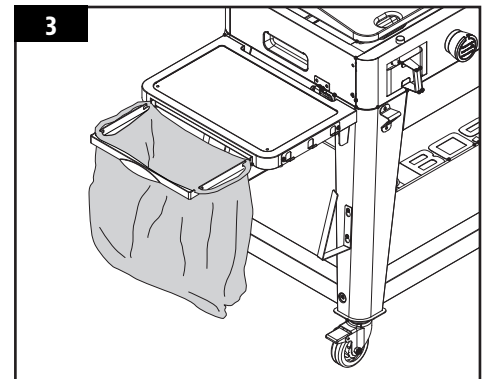
1. Etsi roskapussitelineen vedin vasemman sivuhyllyn reunasta.



2. Vedä roskapussiteline esiin.



3. Lisää kaupan muovipussi tai tavallinen roskapussi telineeseen. Aseta muovipussin kahvat kehysten uriin tai kierrä roskapussi kehysten kolmen sivun ympärille, jotta pussi pysyy paikallaan.



# HUOLTO JA YLLÄPITO

## KAASUN MÄÄRÄN TARKISTAMINEN

Nestekaasusylinterin sisältämän kaasun määrän tarkistaminen edellyttää, että grilli on käytössä. Aseta kätesi kaasusylinterin päälle ja liikuta sitä hitaasti alaspäin sivua pitkin, kunnes sylinteri tuntuu tarpeeksi viileältä koskettaa. Tämä paljastaa sylinterissä jäljellä olevan kaasun määrän suurin piirtein; jos 3/4 sylinteristä on tyhjänä, vaihda täyteen kaasusylinteriin.

**TÄRKEÄÄ: Älä käytä hiilibrikettejä tai mitään syttyvää materiaalia grillissäsi. Kyseisten materiaalien käyttö mitätöi takuun ja voi johtaa tulipaloon, räjähdykseen ja ruumiinvammojen syntymiseen.**

## PUHDISTUSVÄLI

Kaikki Pit Boss® -laitteet palvelevat useita vuosia vähäisellä puhdistuksella. Noudata näitä puhdistus- ja ylläpitovinkkejä grillin huollossa:

### 1. POLTTIMEN OSAT

- Puhdista poltin aina kun siitä löytyy paljon kertymää, jotta varmistut, ettei polttimen letkussa tai aukoissa näy merkkejä tukoksesta (jäte, hyönteiset). Varastoinnin aikana hämähäkit tai pienet hyönteiset voivat rakentaa pesiä ja verkkoja ja laskea munia polttimen letkuun ja tukkia näin kaasun virtausta polttimeen. Tukkeutunut letku voi johtaa tulipaloon laitteen alla. Jos aiot varastoida grillin tai olla käyttämättä sitä pidemmän aikaa, irrota poltin ja kääri se alumiinifolioon, jotta hyönteiset eivät pääse sen aukoihin niin helposti.
- Poltin on esimääritetty optimaalista liekin palamista varten. Sininen liekki, jossa saattaa näkyä pieni keltainen kärki, on tulosta optimaalisesta ilman ja kaasun seoksesta. Jos liekit ovat liian keltaisia, oransseja tai epäsäännöllisiä, puhdista polttimen pinta ja aukot öljy- ja ruokakertymistä parantaaksesi ilmavirtausta.

### 2. RUUANVALMISTUSOSAT

- Säleikkösi kuumalevy on keraaminen pinnoite. Parhaita käytettäviä ruokailuvälineitä ovat puu, silikoni tai nailon, koska nämä materiaalit vähentävät ruoanlaittopinnan kulumista.
- Yksikkö on valmiiksi maustettu tehtaalta, mutta on tärkeää puhdistaa ja maustaa keittolevy jokaisen käytön jälkeen ruostumisen estämiseksi, paistinpannun käyttöänsä pidentämiseksi ja tarttumattoman keittotason luomiseksi. Parilan maustaminen on jatkuva prosessi, joka on toistettava koko paistinpannun käyttöänsä ajan parhaan ruoanlaittokokemuksen ja pisimmän käyttöänsä varmistamiseksi.
  1. Puhdista keittolevy jokaisen käyttökerran jälkeen lastalla tai kaavimella kaikkien ruokien ja roskien poistamiseksi.
  2. Levitä tasaisesti ruokaöljyä ruoanlaittopinnalle. Kasvi-, oliivi-, maapähkinä-, kookos- ja seesamiöljyt sopivat kaikki parilasi maustamiseen.
  3. Anna jäähtyä kuivassa ja viileässä paikassa.

### 3. GRILLIN ULKOPUOLI

- Kaikki ruuvit ja pultit tulisi tarkistaa säännöllisesti. Kiristä niitä tarvittaessa.
- Grillipeitteen avulla voit suojata grillisi vieläkin paremmin. Peite antaa parhaan suojan säältä ja ulkoilman saasteilta. Kun laite ei ole käytössä tai sitä varastoidaan pidemmän aikaa, sitä on säilytettävä peitteen alla autotallissa tai vajassa, kaasusylinteri irrotettuna (sylinteriä tulee säilyttää ulkotiloissa).

## PUHDISTUSAIKATAULU (NORMAALIKÄYTTÖ)

OSA	PUHDISTUSVÄLI	PUHDISTUSTAPA
Paistolevy	Jokaisen käyttökerran jälkeen	Polta ylimääräinen aines, puhdista hankaustyynyllä ja saippuavedellä, voitele ruokaöljyllä
Grease Cup	Jokaisen käyttökerran jälkeen	Tyhjennä ja puhdista hankaustyynyllä ja saippuavedellä
Burner Tube, Portholes	Joka 5:n tai 6:n käytön jälkeen	Pyyhi pölyt ja puhdista hankaustyynyllä ja saippuavedellä
Burners	Joka 5:n tai 6:n käytön jälkeen	Hankaustyyny ja saippuavesi
Kärry	Tarpeen mukaan	Hankaamaton liina ja saippuavesi



# VINKKEJÄ JA TEKNIKOITA

Voit oppia tuntemaan grillisi paremmin näiden hyödyllisten vinkkien ja tekniikoiden avulla, jotka on saatu Pit Boss® -laitteiden omistajilta, henkilökunnaltamme ja kaltaisiltasi asiakkailta:

## 1. ELINTARVIKETURVALLISUUS

- Käytä eri lautasia ja ottimia kypsälle lihalle ja raa'an lihan käsittelyyn ja kuljetukseen. Tämä estää bakteerien ristikontaminaation. Kullakin marinadilla tai valedkastikkeella tulee olla oma ottimensa.
- Pidä kuumat ruuat kuumina (yli 60 °C) ja kylmät ruuat kylminä (alle 3 °C). Kypsennettyjä ruokia ei tule jättää ulos lämpimään yli tunnin ajaksi. Älä pidä kuumia ruokia jääkaapin ulkopuolella yli kahta tuntia.
- Marinadia ei pidä koskaan säilyttää myöhempää käyttöä varten. Jos aiot tarjoilla sitä lihan kanssa, varmista, että kiehautat sen ennen tarjoilua.
- Sulata ja marinoi lihat jääkaapissa. Älä sulata lihaa huoneenlämmössä tai pöytätasolla. Bakteerit voivat kasvaa ja lisääntyä nopeasti lämpimissä, kosteissa elintarvikkeissa. Pese kädet huolellisesti kuumalla vedellä ja saippualla ennen ruuanvalmistuksen aloittamista ja tuoreen lihan, kalan ja siipikarjan lihan käsittelyn jälkeen.

## 2. RUUANVALMISTUKSEN VALMISTELU

- Valmistaudu, eli **Mise en Place**. Tällä tarkoitetaan ruokareseptin, polttoaineen, lisätarvikkeiden, ottimien ja kaikkien grillauksessa tarvitsemiesi raaka-aineiden valmistelua ja keräämistä ennen ruuanvalmistuksen aloittamista. Lue myös koko resepti alusta loppuun ennen grillin sytyttämistä.
- Grillille tarkoitettu lattiamatto on hyödyllinen. Koska ruuanvalmistuksessa usein tapahtuu vahinkoja ja ruokaa voi roiskua, grillausmatto suojaa terassia, patiota tai kivitasoa rasvatahroilta ja roiskeilta.

## 3. GRILLAUSVINKKEJÄ JA TEKNIKOITA

- Käytä aina lihalämpömittaria valmistamiesi ruokien sisälämpötilan mittaamiseen. On hyvä ajatus asettaa valmiit ruuat lämmitetyille lautaselle niin, että ne pysyvät lämpiminä. Punaisille lihoille, kuten pihveille ja paisteille, on eduksi, jos ne lepäävät useita minutteja ennen tarjoilua. Näin kuumuuden pintaan tuomat lihanesteet ehtivät vetäytyä takaisin lihan keskelle, mikä parantaa makua.
- Sokeripohjaiset kastikkeet on parasta lisätä grillauksen loppuvaiheessa palamisen ja leimahdusten estämiseksi.
- Käytä pitkävartisia pihtejä lihan kääntämiseen ja lastaa hampurilaispihvien ja kalan kääntämiseen. Lävistävän välineen kuten haarukan käyttäminen tekee lihaan reiän ja päästää nesteet ulos lihasta.

# VIANETSINTÄ

Asianmukainen puhdistus ja ylläpito estävät yleiset toimintaongelmat. Jos grillisi toimii huonosti tai sitä käytetään harvemmin, seuraavat vianetsintävinkit voivat olla hyödyksi. Usein kysytyt kysymykset löydät osoitteesta [www.pitboss-grills.com](http://www.pitboss-grills.com). Voit myös ottaa yhteyttä paikalliseen jälleenmyyjään tai asiakaspalveluumme.

**VAROITUS: Varmista aina, että grilli on täysin jäähtynyt, vammojen välttämiseksi.**

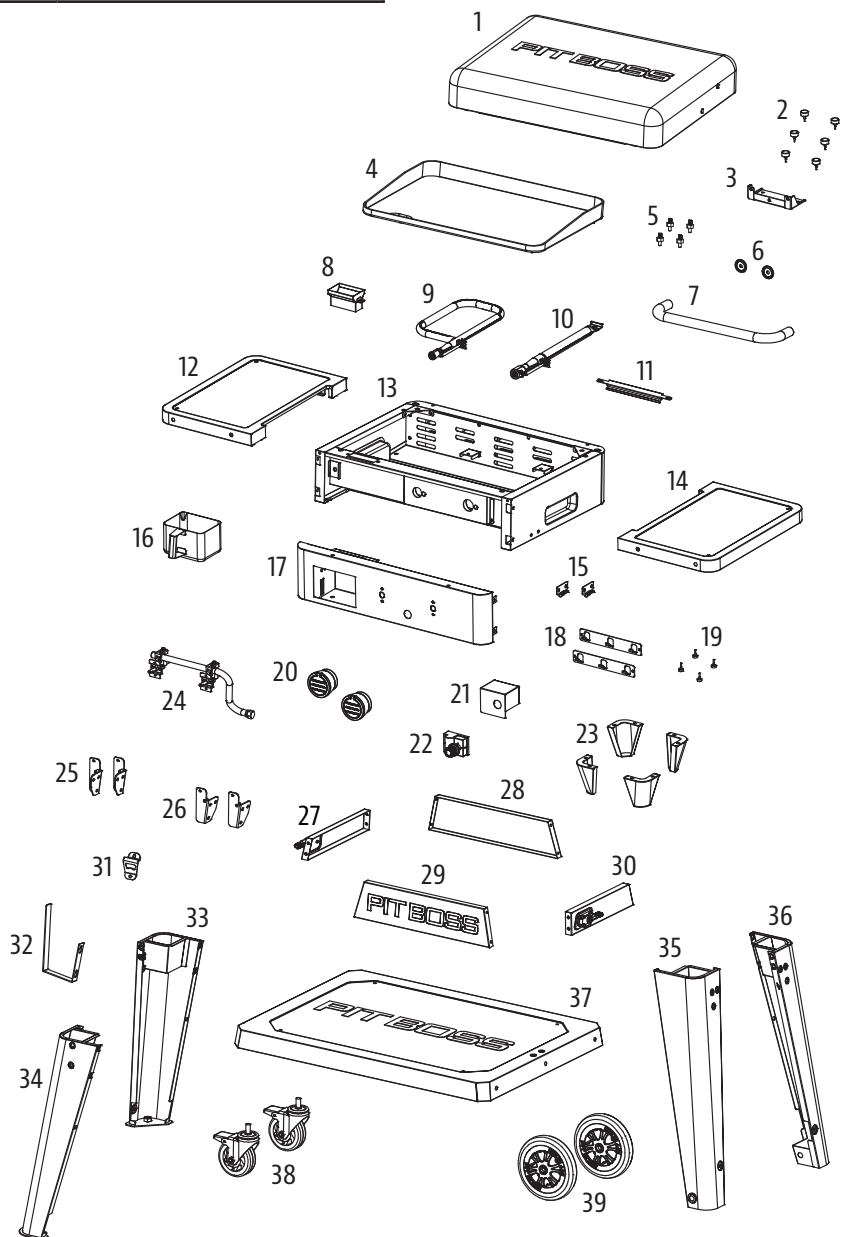
ONGELMA	SYY	RATKAISU
Poltin ei syty	Sytytyslanka on rikki	Ota yhteyttä asiakaspalveluun ja pyydä apua tai vaihto-osaa.
	Elektrodi ei tuota sytytyskipinää	Säädä elektrodia. Ota yhteyttä asiakaspalveluun ja pyydä apua tai vaihto-osaa.
	Poltin ei saa kaasua	Tarkasta säätöventtiili. Tarkasta liitäntä vuotojen varalta.
Rasvapalo / usein tapahtuvat leimahdukset	Rasvaisten lihojen grillaus	Grillaa rasvaisia lihoja, kun ritilät ovat kylmiä ja säätönupit on käännetty LOW (matala) -asentoon.
	Ruoanvalmistuslämpötila	Kokeile ruoanvalmistusta matalammalla lämpötilalla. Rasvalla ei ole leimahduspistettä. Pidä lämpötila alle 176 °C:ssa, kun valmistat erittäin rasvaista ruokaa.
	Kaasuliekeille on roiskunut vettä	Kaasuliekeille ei saa roiskia vettä.
Polttimen liekki sammuu	Kaasua ei virtaa polttimeen	Tarkasta kaasuliitäntä ja varmista, että se on auki. Vaihda kaasusylinteri, jos se on tyhjä.
	Puuskainen tai voimakas tuuli	Käännä grillin etuosa pois päin tuulesta tai kasvata liekin korkeutta.
Matala lämpö HIGH-asetuksella	Aukot tukossa	Puhdista aukot tukoksista.
	Kaasusylinteri tyhjä	Täytä kaasusylinteri.
Kaasuvuoto	Virheellinen asennus	Käännä säätönuppi OFF-asentoon ja anna sen ponnahtaa ulos. Irrota kaasusylinteri. Asenna uudelleen ja kiristä. Varmista tiiviys suorittamalla vuototesti. Vaihda kaasusylinteri, jos se on vaurioitunut.
	Tiivistevika	Kaasusylinteri on syöpynyt tai ruostunut tai sitä on käsitelty väärin. Vaihda kaasusylinteri.
	Säädinvika	Säädin on vaihdettava. Ota yhteyttä asiakaspalveluun vaihto-osan saamiseksi.
Polttimen liekit ovat keltaisia tai oransseja	Heikko ilmavirtaus	Tarkasta polttimen letku ja aukot hämähäkinseittien tai muiden tukosten varalta. Puhdista polttimen letku <b>huolto- ja ylläpito</b> -ohjeiden mukaisesti.
	Polttimen tukos	
	Rasvakuppi on täynnä ja läikkyy	Tyhjennä rasvakuppi ja asenna se takaisin. Noudata <b>huolto- ja ylläpito</b> -ohjeita.
	Säätöventtiili on kiinni	Tarkasta säätöventtiilin ja kaasusylinterin välinen liitäntä. Irrota ne toisistaan ja asenna uudelleen. Suorita vuototesti.
	Poltin on likainen	Käännä säätönuppi HIGH (korkea) -asentoon viideksi minuutiksi ja kuumapuhdista laite. Noudata <b>huolto- ja ylläpito</b> -ohjeita.

# REPLACEMENT PARTS

## PB2BGD2

Osa	Kuvaus
1	Kansi (x1)
2	Kannen tuen kumitassu (x6)
3	Kannen tuki (x1)
4	Paistolevy (x1)
5	Paistolevyn jalustaruuvit (x4)
6	Kannen kahvan tiiviste (x2)
7	Kannen kahva (x1)
8	Rasvaränni (x1)
9	P-poltin (x1)
10	Oikea poltin (x1)
11	Poltinsilta (x1)
12	Sivuhylly - vasen (x1)
13	Tulipesäkoonpano (x1)
14	Sivuhylly - oikea (x1)
15	Salpakoukku (x2)
16	Rasvakuppi (x1)
17	Tulipesän ohjauspaneeli (x1)
18	Sivuhyllyn koukkupaneeli (x2)
19	Sivuhyllyn kuminasta (x4)
20	Säätönuppi (x2)
21	Sytyttimen lämpösuoja (x1)
22	Sytytin (x1)
23	Tulipesän jalat (x4)
24	Venttiilikoonpano (x1)
25	Sivuhyllyn kannatin - vasen (x2)
26	Sivuhyllyn kannatin - oikea (x2)
27	Kärryn sivupaneeli - vasen (x1)
28	Kärryn takapaneeli (x1)
29	Kärryn etupaneeli (x1)
30	Kärryn sivupaneeli - oikea (x1)
31	Korkinavaaja (x1)
32	Paperiliinakoukku (x1)
33	Kääntöpyörän tukijalka - takasivu (x1)
34	Kääntöpyörän tukijalka - etusivu (x1)
35	Pyörän tukijalka - etusivu (x1)
36	Pyörän tukijalka - takasivu (x1)
37	Alahylly (x1)
38	Lukittuva kääntöpyörä (x2)
39	Pyörä (x2)

Osa	Kuvaus
A	Ruuvia (x37)
B	Aluslevy (x16)
C	Lukituslevy (x16)
D	Ruuvia (x4)
E	Pyörän sokkanaula (x2)
F	Pyörän aluslevy (x2)
G	Pyörän akselitappi (x2)
H	Paristo (x1)

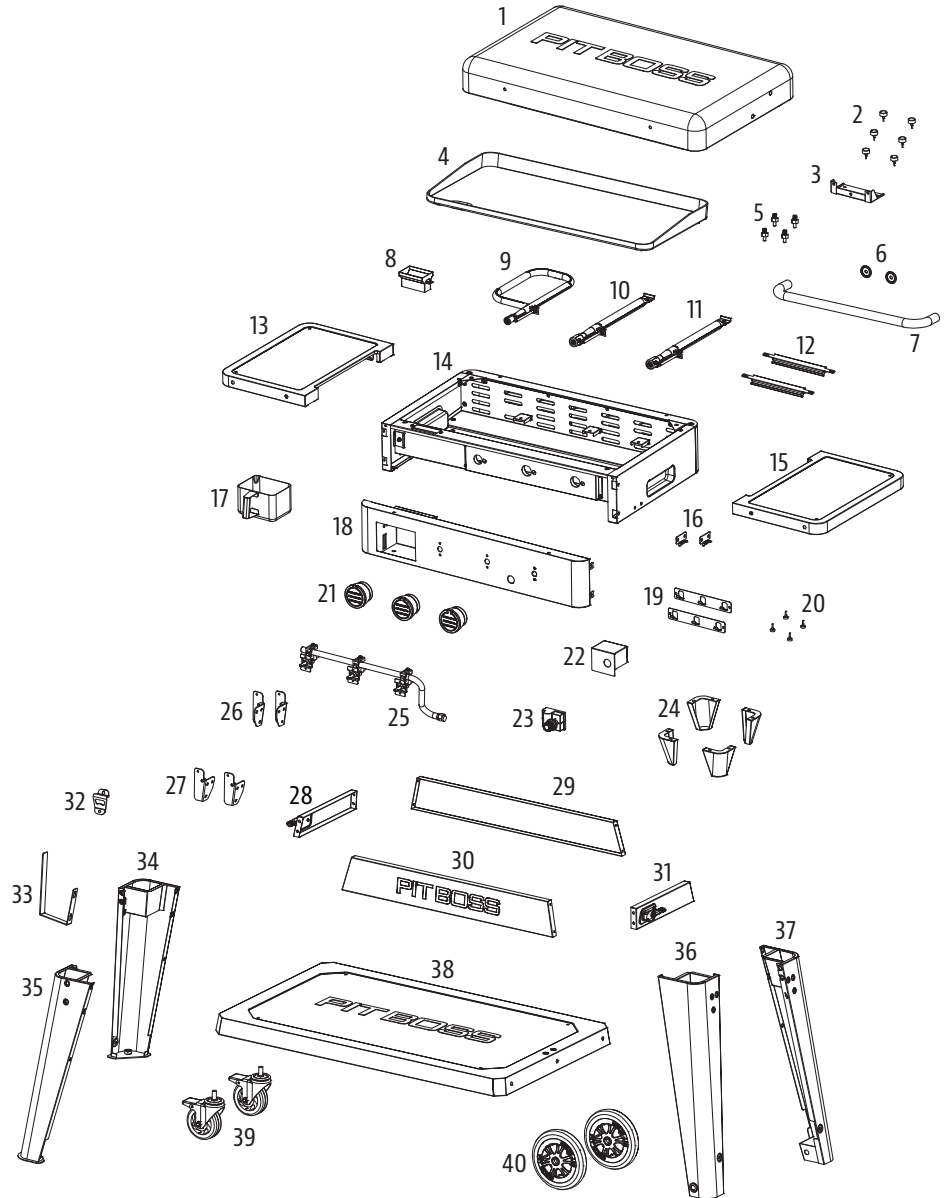


HUOMAUTUS: Jatkuvasta tuotekehityksestä johtuen osat voivat muuttua ilman etukäteisvaroitusta.

## PB3BGD2

Osa	Kuvaus
1	Kansi (x1)
2	Kannen tuen kumitassu (x6)
3	Kannen tuki (x1)
4	Paistolevy (x1)
5	Paistolevyn jalustaruuvit (x4)
6	Kannen kahvan tiiviste (x2)
7	Kannen kahva (x1)
8	Rasvaränni (x1)
9	P-poltin (x1)
10	Keskipoltin (x1)
11	Oikea poltin (x1)
12	Poltinsilta (x2)
13	Sivuhylly - vasen (x1)
14	Tulipesäkokoonpano (x1)
15	Sivuhylly - oikea (x1)
16	Salpakoukku (x2)
17	Rasvakuppi (x1)
18	Tulipesän ohjauspaneeli (x1)
19	Sivuhyllyn koukkupaneeli (x2)
20	Sivuhyllyn kuminasta (x4)
21	Säätönuppi (x3)
22	Sytyttimen lämpösuoja (x1)
23	Sytytin (x1)
24	Tulipesän jalat (x4)
25	Venttiilikokoonpano (x1)
26	Sivuhyllyn kannatin - vasen (x2)
27	Sivuhyllyn kannatin - oikea (x2)
28	Kärryn sivupaneeli - vasen (x1)
29	Kärryn takapaneeli (x1)
30	Kärryn etupaneeli (x1)
31	Kärryn sivupaneeli - oikea (x1)
32	Korinavaaja (x1)
33	Paperiliinakoukku (x1)
34	Kääntöpyörän tukijalka - takasivu (x1)
35	Kääntöpyörän tukijalka - etusivu (x1)
36	Pyörän tukijalka - etusivu (x1)
37	Pyörän tukijalka - takasivu (x1)
38	Alahylly (x1)
39	Lukittuva kääntöpyörä (x2)
40	Pyörä (x2)

Osa	Kuvaus
A	Ruuvia (x37)
B	Aluslevy (x16)
C	Lukituslevy (x16)
D	Ruuvia (x4)
E	Pyörän sokkanaula (x2)
F	Pyörän aluslevy (x2)
G	Pyörän akselitappi (x2)
H	Paristo (x1)

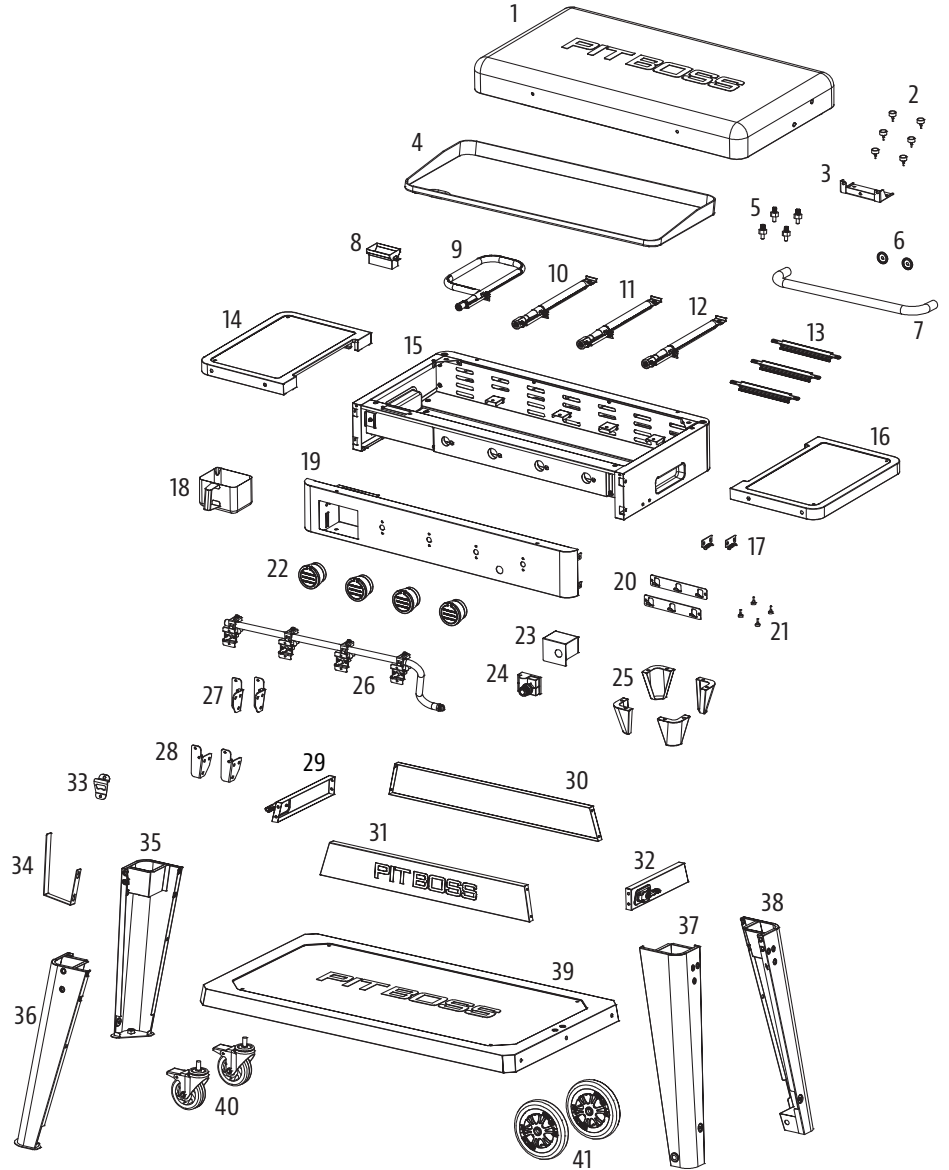


HUOMAUTUS: Jatkuvasta tuotekehityksestä johtuen osat voivat muuttua ilman etukäteisvaroitusta.

## PB4BGD2

Osa	Kuvaus
1	Kansi (x1)
2	Kannen tuen kumitassu (x6)
3	Kannen tuki (x1)
4	Paistolevy (x1)
5	Paistolevyn jalustaruuvit (x4)
6	Kannen kahvan tiiviste (x2)
7	Kannen kahva (x1)
8	Rasvaränni (x1)
9	P-poltin (x1)
10	Vasen poltin (x1)
11	Keskipoltin (x1)
12	Oikea poltin (x1)
13	Poltinsilta (x3)
14	Sivuhylly - vasen (x1)
15	Tulipesäkoonpano (x1)
16	Sivuhylly - oikea (x1)
17	Salpakoukku (x2)
18	Rasvakuppi (x1)
19	Tulipesän ohjauspaneeli (x1)
20	Sivuhyllyn koukkupaneeli (x2)
21	Sivuhyllyn kuminasta (x4)
22	Säätönuppi (x4)
23	Sytyttimen lämpösuoja (x1)
24	Sytytin (x1)
25	Tulipesän jalat (x4)
26	Venttiilikokoonpano (x1)
27	Sivuhyllyn kannatin - vasen (x2)
28	Sivuhyllyn kannatin - oikea (x2)
29	Kärryn sivupaneeli - vasen (x1)
30	Kärryn takapaneeli (x1)
31	Kärryn etupaneeli (x1)
32	Kärryn sivupaneeli - oikea (x1)
33	Korkinavaaja (x1)
34	Paperiliinakoukku (x1)
35	Kääntöpyörän tukijalka - takasivu (x1)
36	Kääntöpyörän tukijalka - etusivu (x1)
37	Pyörän tukijalka - etusivu (x1)
38	Pyörän tukijalka - takasivu (x1)
39	Alahylly (x1)
40	Lukittuva kääntöpyörä (x2)
41	Pyörä (x2)

Osa	Kuvaus
A	Ruuvia (x37)
B	Aluslevy (x16)
C	Lukituslevy (x16)
D	Ruuvia (x4)
E	Pyörän sokkanaula (x2)
F	Pyörän aluslevy (x2)
G	Pyörän akselitappi (x2)
H	Paristo (x1)

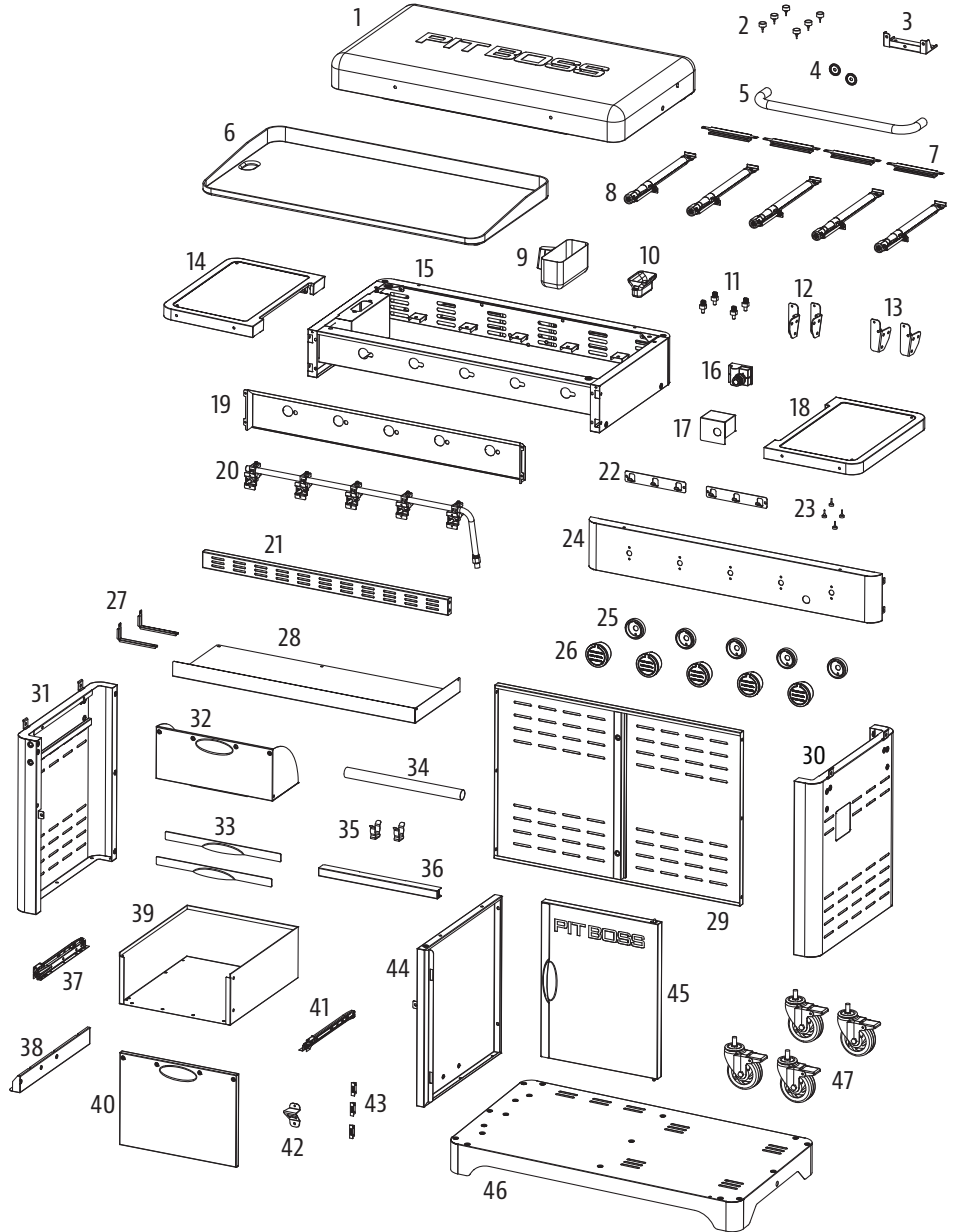


HUOMAUTUS: Jatkuvasta tuotekehityksestä johtuen osat voivat muuttua ilman etukäteisvaroitusta.

## PB5BGD2

Osa	Kuvaus
1	Kansi (x1)
2	Kannen tuen kumitassu (x6)
3	Kannen tuki (x1)
4	Kannen kahvan tiiviste (x2)
5	Kannen kahva (x1)
6	Paistolevy (x1)
7	Poltinsilta (x4)
8	Poltin (x5)
9	Rasvakuppi (x1)
10	Rasväränni (x1)
11	Paistolevyn jalustaruuvit (x4)
12	Sivuhyllyn kannatin - vasen (x2)
13	Sivuhyllyn kannatin - oikea (x2)
14	Sivuhylly - vasen (x1)
15	Tulipesäkokoonpano (x1)
16	Sytytin (x1)
17	Sytyttimen lämpösuoja (x1)
18	Sivuhylly - oikea (x1)
19	Etulämpösuoja (x1)
20	Venttiilikokoonpano (x1)
21	Kärryn etupaneeli (x1)
22	Sivuhyllyn koukkupaneeli (x2)
23	Sivuhyllyn kuminasta (x4)
24	Tulipesän ohjauspaneeli (x1)
25	Säätönupin kanta (x5)
26	Säätönuppi (x5)
27	Lämpösuojan kannatin (x2)
28	Lämpösuojapaneeli (x1)
29	Kärryn takapaneeli (x1)
30	Kärryn sivupaneeli - oikea (x1)
31	Kärryn sivupaneeli - vasen (x1)
32	Kippilokero (x1)
33	Vedin (x2)
34	Paperiپyyhetanko (x1)
35	Pysäytyskappale (x2)
36	Vetolaatikon tukipalkki (x1)
37	Vetolaatikon kiskot - vasen (x1)
38	Kiskon kannatin (x1)
39	Vetolaatikko (x1)
40	Vetolaatikon etupaneeli (x1)
41	Vetolaatikon kiskot - oikea (x1)
42	Korkinavaaja (x1)
43	Magneettinen solki (x3)
44	Kärryn väliseinä (x1)
45	Kaapin ovi (x1)
46	Kärryn pohjalevy (x1)
47	Lukittuva kääntöpyörä (x4)

Osa	Kuvaus
A	Ruuvia (x54)
B	Ruuvia (x2)
C	Lukituslevy (x14)
D	Aluslevy (x14)
E	Ruuvia (x14)
F	Ruuvia (x6)
G	Paristo (x1)



HUOMAUTUS: Jatkuva tuotekehityksestä johtuen osat voivat muuttua ilman etukäteisvaroitusta.

# TAKUU

## EHDOT

Kaikilla Dansonsin valmistamilla Pit Boss® Grills -kaasupaistotasoilla on rajoitettu takuu alkuperäisen omistajan ostopäivästä alkaen. Takuu alkaa alkuperäisenä ostopäivänä, ja takuun todentamista varten tarvitaan todiste ostopäivästä tai kopio alkuperäisestä ostokuitista. Asiakkaalta veloitetaan maksu osista, kuljetuksista ja käsittelystä, jos hän ei pysty toimittamaan todistusta ostosta tai jos takuu on umpeutunut. Dansons myöntää kaikille osille kahden (2) vuoden takuun, joka kattaa materiaali- ja valmistusvirheet. Dansons takaa, että kaikki osat ovat materiaali- ja valmistusvirheettömiä alkuperäisen ostajan käyttö- ja omistusaikana. Takuu ei kata normaalia käytöstä aiheutuvia vaurioita, kuten naarmuja, kolhuja, lommoja, lohkeamia tai vähäisiä kosmeettisia säröjä. Tällaiset paistotason esteettiset muutokset eivät vaikuta sen toimintaan. Minkään osan korjaus tai vaihto ei ulotu kahden (2) vuoden rajoitettua takuuta pidemmälle ostopäivästä lukien.

Takuuajana Dansonsin vastuu rajoittuu korvaavien osien toimittamiseen viallisten ja/tai vioittuneiden osien tilalle. Takuukauden aikana Dansons ei veloita palautettujen osien korjaamisesta tai korvaamisesta tai esimaksetusta kuljetuksesta, jos Dansons tutkimuksensa perusteella toteaa, että osa on viallinen / osat ovat viallisia. Dansons ei ole vastuussa kuljetusmaksuista, työkuistuksista tai vientiveroista. Lukuun ottamatta näissä takuuehdoissa esitettyä, osien korjaaminen tai korvaaminen uusilla tässä mainitulla tavalla ja tässä mainitun ajanjakson aikana katsotaan Dansonsin suorien ja johdannaisvastuiden ja -veloitteiden täyttämiseksi asiakasta kohtaan. Dansons pyrkii kaikin mahdollisin keinoin käyttämään ruostetta ehkäiseviä materiaaleja. Näistäkin turvatoimista huolimatta suojaavat pinnoitteet voivat pettää johtuen erilaisista aineista ja olosuhteista, jotka eivät ole Dansonsin hallinnassa. Korkeat lämpötilat, liiallinen kosteus, kloori, teolliset kaasut, lannoitteet, nurmikon tuholaismyrkyt ja suola ovat esimerkkejä aineista, jotka voivat vaikuttaa metallipinnoitteisiin. Näistä syistä takuu ei kata ruostetta tai hapettumista, ellei paistotason osissa ole rakenteellisia puutoksia. Jos jokin yllä olevista tapahtuu, pyydämme ystävällisesti tutustumaan huolto- ja ylläpitotoimia koskevaan osioon laitteen käyttöiän pidentämiseksi. Dansons suosittelee suojaiteiden käyttöä, kun paistotaso ei ole käytössä.

Tämä takuu perustuu normaaliin kotikäyttöön ja huoltoon, eikä kumpikaan rajoitettu takuu ole voimassa, jos paistotaso on kaupallisessa käytössä.

## POIKKEUKSET

Pit Boss® Grills -tuotteilla ei ole kirjallista tai epäsuoraa toimintatakuuta, koska valmistajalla ei ole mahdollisuutta vaikuttaa asennukseen, käyttöön, puhdistukseen, huoltoon tai käytettyyn polttoaineeseen. Tämä takuu ei ole voimassa eikä Dansons ole vastuussa, jos laitetta ei ole asennettu, käytetty, puhdistettu ja huollettu tarkasti tämän omistajan käyttöohjeen mukaisesti. Sellaisen kaasun käyttö, jota ei ole kuvattu tässä käyttöoppaassa, saattaa mitätöidä takuun. Takuu ei kata vauriota tai rikkoutumista, joka johtuu väärinkäytöstä, varomattomasta käsittelystä tai muokkauksista. Dansons tai valtuutettu Pit Boss® Grills -jälleenmyyjä eivät kumpikaan ota juridista tai muuta vastuuta tämän tuotteen käytöstä aiheutuvista satunnaisista tai välillisistä vahingoista omaisuudelle tai henkilöille. Riippumatta siitä, perustuuko vaatimus Dansonsia vastaan tämän takuun tai muun ilmaistun tai lain edellyttämän takuun rikkomukseen, valmistajan vastuu kaikista erityisistä, epäsuorista, välillisistä tai muista minkä tahansa laatuista vahingoista rajoittuu korkeintaan tämän tuotteen alkuperäiseen ostohintaan. Kaikki valmistajan takuut on ilmaistu tässä asiakirjassa, eikä valmistajaa vastaan voi esittää vaatimuksia takuista tai vakuutuksista. Jotkin valtiot eivät salli satunnaisten tai välillisten vahinkojen poissulkemista tai rajoittamista tai epäsuorien takuiden rajoittamista, joten tässä rajoitetussa takuussa esitetyt rajoitukset tai poissulkemiset eivät välttämättä koske sinua. Tämä rajoitettu takuu antaa sinulle määrättyjä juridisia oikeuksia. Sinulla saattaa olla myös muita oikeuksia, jotka vaihtelevat valtioittain.

## VAIHTO-OSIEN TILAAMINEN

Jos haluat tilata vaihto-osia, ota yhteyttä paikalliseen Pit Boss® Grills -jälleenmyyjään tai vieraile verkkokaupassamme osoitteessa [www.pitboss-grills.com](http://www.pitboss-grills.com)

## OTA YHTEYTTÄ ASIAKASPALVELUUN

Jos sinulla on kysyttävää tai ongelmia, ota yhteyttä asiakaspalveluun osoitteessa [www.pitboss-grills.com](http://www.pitboss-grills.com)

## TAKUUPALVELU

Jos tarvitset korjausta tai vaihto-osia, ota yhteyttä lähimpään Pit Boss® -grillien jälleenmyyjään. Dansons vaatii todistuksen ostosta takuuvaatimuksen käsittelyä varten. Säilytä siksi alkuperäinen myyntitosite tai lasku tulevaa tarvetta varten. Pit Boss® -laitteesi sarja- ja mallinumero löytyvät suoraan laitteesta. Kirjaa numerot alle, koska merkintä saattaa kuluu tai muuttua lukukelvottomaksi.

MALLI

SARJANUMERO

OSTOPÄIVÄMÄÄRÄ

VALTUUTETTU JÄLLEENMYYJÄ



## SIKKERHETSINFORMASJON

# VANLIGE ÅRSAKER TIL BRANN I UTSTYR ER DÅRLIG VEDLIKEHOLD OG MANGEL PÅ NØDVENDIG AVSTAND TIL BRENNBARE MATERIALER. DET ER SVÆRT VIKTIG AT DETTE PRODUKTET BARE BRUKES I HENHOLD TIL INSTRUKSJONENE NEDENFOR.

Les og forstå hele håndboken før du prøver å sette sammen, bruke eller montere produktet. Dette sikrer at du opplever problemfri og enkel bruk av den nye bærbare gasssteketakken. Vi anbefaler også at du beholder denne håndboken for fremtidig referanse.

### PROPANGASSADVARSLER



#### FARE

Hvis du lukter gass:

- Steng av gassen til apparatet
- Slukk alle åpne flammer.
- Åpne lokket.
- Hvis lukten vedvarer skal du holde deg unna apparatet og umiddelbart ringe gassleverandøren eller brannvesenet.



#### ADVARSEL

- Ikke lagre eller bruk bensin eller andre antennerlige væsker eller damper i nærheten av dette eller andre apparater.
- En LP-sylinder som ikke er tilkoblet for bruk skal ikke lagres i nærheten av dette eller andre apparater.
- Du trenger en presisjonsfylt standard G30/G31 LP-gassylinder med utvendige ventilgjenger. Maks. diameter og maks. høyde på sylinderen er henholdsvis 300 mm og 600 mm.

1. Påse at gassylinderen er kjøpt hos en anerkjent leverandør. En feilfylt eller overfylt LP-beholder kan være farlig. Den overfylte tilstanden kombinert med oppvarmingen av LP-gassbeholderen (en varm sommerdag, beholder etterlatt i solen osv.) kan føre til at LP-gassen frigjøres, ettersom temperaturen øker og gjør at gassen utvides. Gass som frigjøres fra sylinderen er antennerlig og kan være eksplosiv.
2. Ikke bruk en LP-gassylinder hvis den har en skadet ventil eller viser tegn på bulker, brannskader, korrosjon, lekkasje, overdreven rust eller andre former for ytre skader på utsiden; det kan være farlig og bør kontrolleres umiddelbart av en flytende propanleverandør.

**Hvis du ser, lukter eller hører susing fra gass som lekker fra sylinderen, skal du ikke prøve å tenne apparatet. Slukk alle åpne flammer. Koble fra drivstofftilførselen.**

3. Ikke koble til eller fra gassylinderen mens enheten er i bruk eller fortsatt er varm. Når steketakken ikke er i bruk, skal du påse at reguleringsknotten er dreid til OFF (av) og koble fra gassylinderen. Du må aldri flytte på eller transportere enheten mens gassylinderen er tilkoblet. Ikke oppbevar en ekstra LP-gassylinder under eller i nærheten av apparatet.
4. Sylindere må oppbevares utendørs utilgjengelig for barn og må ikke lagres i en bygning, garasje eller noe annet innelukket område.
5. Ikke hindre flyten av forbrenningsluft og ventileringsluft til dette apparatet. Hold brennerslangen og porthullene rene og fri for rusk. Rengjør før bruk. Jevnlig stell og vedlikehold er nødvendig for å forlenge apparatets levetid.

6. Du må alltid kontrollere for gasslekkasjer når du kobler til og fra regulatoren til gassylindere, spesielt etter en lagringsperiode (for eksempel etter vinteren). Kontroller alle koblinger for lekkasjer med en såpevannsløsning og børste. Du må aldri bruke en åpen flamme til å kontrollere for lekkasjer.
7. Rengjør og inspiser gassregulatoren før hver bruk av gassapparatet for utendørs matlaging. Skift ut gassregulatoren før bruk dersom det er tegn på overdreven slitasje.
8. Apparatet skal bare brukes med flytende petroleum, dette er også spesifisert på rangeringsetiketten på enheten. Ikke prøv å bruke grillen med andre gasser. Ikke prøv å konvertere denne LP-enheten til naturgass. Hvis ikke denne advarselen følges, kan det føre til brann og kroppsskade, og ugyldiggjør garantien.
9. Plasseringen av brennerrøret i forhold til åpningen er avgjørende for sikker drift. Kontroller at åpningen er inne i brennerrøret før du bruker gassristen. Hvis brennerrøret ikke passer over ventilåpningen, kan tenning på brenneren forårsake eksplosjon og / eller brann.

## FARER OG ADVARSLER

**Du må kontakte det lokale boligbyggelaget, bygnings- eller brannmyndigheter eller andre aktuelle myndigheter for å innhente de nødvendige tillatelsene eller informasjon om eventuelle monteringsrestriksjoner, for eksempel en grill som monteres på en brennbar overflate, inspeksjonskrav eller til og med muligheten til å bruke apparatet der du bor.**

1. Du må opprettholde en minimumsavstand på 1270 mm fra sidene på steketakken til brennbare konstruksjoner, og 1270 mm fra baksiden av steketakken til brennbare konstruksjoner. **Ikke monter på brennbare gulv eller gulv som er beskyttet med brennbare overflater, med mindre riktige tillatelser er innhentet fra de aktuelle myndighetene.** Ikke bruk dette apparatet innendørs eller i et lukket område uten ventilasjon, inne i hus, biler, telt eller garasjer. Denne LP-gassteketakken må ikke plasseres under brennbare tak eller overheng. Hold steketakken på et område som er åpent og uten brennbare materialer, bensin og andre brennbare damper og væsker.

**Hvis fett tar fyr, må du slå AV grillen og la lokket være på til flammene har sluknet. Koble fra strømledningen. Ikke hell vann på enheten. Bruk av en all-klasse (klasse ABC) godkjent brannslukningsapparat er verdifull å ha på stedet. Hvis det oppstår en ukontrollert brann, ring brannvesenet.**

2. Denne utendørsgrillen er ikke ment for montering i/på fritidsbiler eller -båter.

**Apparatet må aldri brukes i et lukket rom, som for eksempel en campingbil, et telt, en bil, båt eller et hus. Dette apparatet er ikke ment for og skal aldri brukes som en varmeovn.**

3. Dette apparatet er ikke anbefalt for barn, personer med reduserte fysiske, følelsesmessige eller mentale funksjoner eller personer uten erfaring og kunnskap, med mindre de er under oppsyn eller får instruksjoner av en person som har ansvaret for deres sikkerhet.
4. Deler av grillen kan bli svært varme og kan føre til alvorlige skader. Hold små barn og kjæledyr unna apparatet mens det er i bruk. Ikke berør varme overflater. Bruk varmebestandige hansker, en tang med langt håndtak eller grillvotter til enhver tid, siden grillen blir veldig varm.
5. Bruk aldri grillen uten at fettoppsamleren er montert og henger under fyrkassen. Uten fettoppsamleren kan varmt fett og rester lekke nedover og utgjøre en brannfare.

## KARBONMONOKSID («DEN STILLE MORDEREN»)

Gassapparater skal alltid brukes utendørs i et åpent område med god ventilasjon for å unngå innånding av giftig damp fra forbrenning eller lekket gass. Karbonmonoksid er en fargeløs, luktfri og smakløs gass som produseres gjennom brenning av gass, tre, propan, kull eller andre drivstoff. Karbonmonoksid reduserer blodets evne til å transportere oksygen. Lave blodoksygennivåer kan føre til hodepine, svimmelhet, svakhet, kvalme, oppkast, søvnighet, forvirring, bevisstløshet eller dødsfall. Følg disse retningslinjene for å forhindre at denne fargeløse og luktfrie gassen forgifter deg, familien eller andre:

- Kontakt lege hvis du eller andre utvikler forkjølelse eller influensalignende symptomer under matlaging eller i nærheten av apparatet. Karbonmonoksidforgiftning, som enkelt kan feiltolkes som forkjølelse eller influensa, oppdages ofte for sent.
- Inntak av alkohol eller narkotiske stoffer øker effekten av karbonmonoksidforgiftning.

Karbonmonoksid er spesielt giftig for mor og barn under graviditet, spedbarn, eldre, røykere og personer med blod- eller sirkulasjonsproblemer, for eksempel anemi eller hjertesykdommer.

## SIKKERHETSOPPFØRING

I henhold til prosedyrene og spesifikasjonene til Conformité Européenne (CE) har gassapparater fra Pit Boss® Grills gjennomgått grundige tester og overholder kravene til sikkerhet, helse og miljø i standardene og direktivene til EU (Den europeiske union) og EØS (Det europeiske økonomiske samarbeidsområde).



	VARMEINN- FØRSEL	ANTALL BRENNERE		TYPE BRENNER	INJEKTOR- STØRRELSE	GASS/TRYKK	BRUKSLAND
		RETT BRENNER	P-BRENNER				
PB2BGD2	7,63 KW G30 – 555 g/h G31 – 545 g/h	1	1	RETT BRENNER	0,8 mm	G30 ved 28–30 mbar G31 ved 37 mbar G30/G31 blanding ved 30 mbar	<b>I3+ (28-30/37) :</b> BE, CH, CY, CZ, ES, FR, GB, GR, IE, IT, LT, LU, LV, PT, SK, SI  <b>I3B/P (30) :</b> BE, CY, DK, EE, FR, GB, HU, IT, LT, NL, NO, SE, SI, SK, RO, HR, TR, BG, IS, LU, MT, FI  <b>I3B/P (37) :</b> PL  <b>I3B/P (50) :</b> AT, DE, SK, CH
PB3BGD2	10,5 KW G30 – 768 g/h G31 – 755 g/h	2	1		0,75 mm	G30/G31 blanding ved 37 mbar	
					0,72 mm	G30/G31 blanding ved 50 mbar	
PB4BGD2	13,49 KW G30 – 982 g/h G31 – 964 g/h	3	1	P-BRENNER	1,02 mm	G30 ved 28–30 mbar G31 ved 37 mbar G30/G31 blanding ved 30 mbar	
					0,97 mm	G30/G31 blanding ved 37 mbar	
					0,93 mm	G30/G31 blanding ved 50 mbar	
PB5BGD2	14,65 KW G30 – 1066 g/h G31 – 1047 g/h	5	0				

NO  
NORSK



## MERKNAD OM OPPHAVSRETT

Copyright 2021. Med enerett. Ingen deler av denne håndboken kan kopieres, overføres, transkriberes eller oppbevares i et hentesystem i noen som helst form eller på noen måte uten uttrykkelig skriftlig tillatelse fra

### DANSONS EUROPE

11 Rue Galvani Paris, Frankrike 75017

### DANSONS NORD-AMERIKA

3411 North 5th Avenue, Suite 500, Phoenix, AZ, USA 85013

### KUNDESERVICE

[www.pitboss-grills.com](http://www.pitboss-grills.com)

## INNHALDSFORTEGNELSE

Sikkerhetsinformasjon .....	142
Koble til en gassforsyning	
Gassylinderkrav .....	146
Installere en gasskontakt til innsugingsrøret .....	146
Koble til en gassylinder .....	147
Klargjøring for bruk – lekkasjetest .....	148
Demontere en gassylinder .....	148
Instruksjoner for bruk	
Steketakkemiljø .....	149
Førstegangs bruk – avbrenning av steketakke .....	150
Tenneprosedyre .....	150
Manuell tenneprosedyre .....	151
Slå steketakken av .....	151
Løfte steketakken av vognen .....	152
Bruke søppelposeholderen .....	153
Stell og vedlikehold .....	154
Tips og teknikker .....	155
Feilsøking .....	156
Reservedeler .....	157
Garanti .....	161

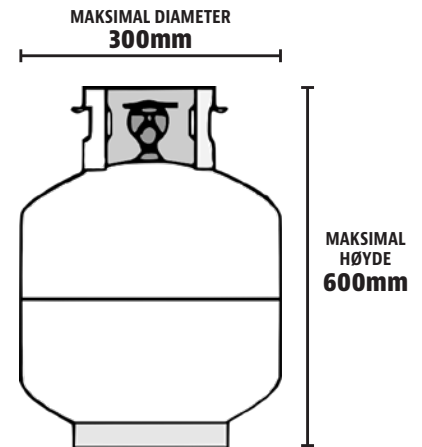
# KOBLE TIL EN GASSFORSYNING

## GASSYLINDERKRAV

Du trenger en presisjonsfylt standard G30/G31 LP-gassylinder med utvendige ventilgjenger. Bruk standard fleksibelt rør med lengde under 1,5 m. Røret skal være godt synlig i hele sin lengde for inspeksjon etter montering.

Maks. diameter og maks. høyde på sylindere er henholdsvis 300 mm og 600 mm som vist i illustrasjonen.

**FORSIKTIG:** Du må ha riktig regulator etter standard EN16129 og flaske for at grillen skal fungere sikkert og effektivt. Bruk av feil eller defekt regulator er farlig og gjør garantien ugyldig. Det er viktig å inspisere hele lengden til røret. Hvis det er tydelig at det er overdreven slitasje eller røret har kutt, må røret skiftes ut før apparatet brukes.



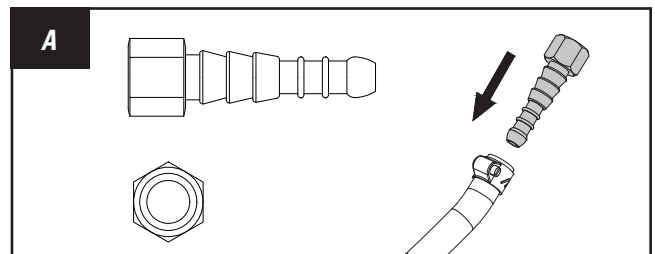
## INSTALLERE EN GASSKONTAKT TIL INNSUGINGSRØRET

Basert på sted og kjøpsland selger ikke alle distributører steketakken med en regulator inkludert. Et overgangssett for innsugingsrøret leveres hvis en gassregulator ikke kommer ferdig montert. Velg kontakten fra det medfølgende overgangssettet for innsugingsrøret som kreves for gassinnsugingsrøret og regulatorrøret. For å lette installasjonen av gasskontakten kan du løfte av eller koble steketakken fra vognen. Plasser opp ned på et stykke papp for å forhindre riper eller skader.

- **KONTAKT A – KONISK**

Sett inn koblingens koniske ende i regulatorrøret, og lås den deretter fast ved å bruke slangeklemmen.

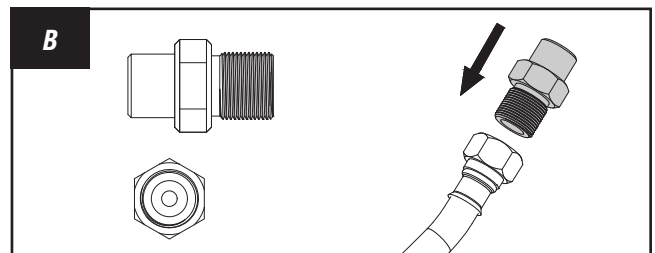
Se illustrasjon A.



- **KONTAKT B – GJENGET**

Sett hannkontaktens gjengede ende inn i regulatorrørets gjengede hunnkontakt. Roter for å stramme helt.

Se illustrasjon B.



Fortsett til neste trinn for installasjon av gassylinder. Hold steketakken fjernet fra vognen.

## KOBLE TIL EN GASSYLINDER

**VIKTIG: Hvis innsugingsrøret krever en kontakt, følger du monteringsanvisningen for kontakten før du kobler enheten til en gassylinder.**

Før du kobler til, må du forvisse deg om at det ikke er rester i hodet på gassylinderen, hodet på regulatorventilen eller i hodet på brenneren og brennerportene.

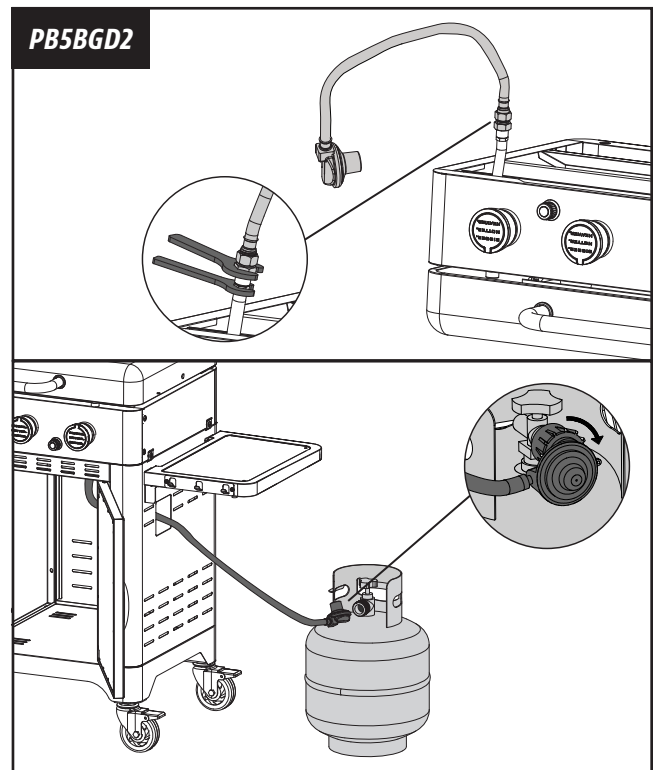
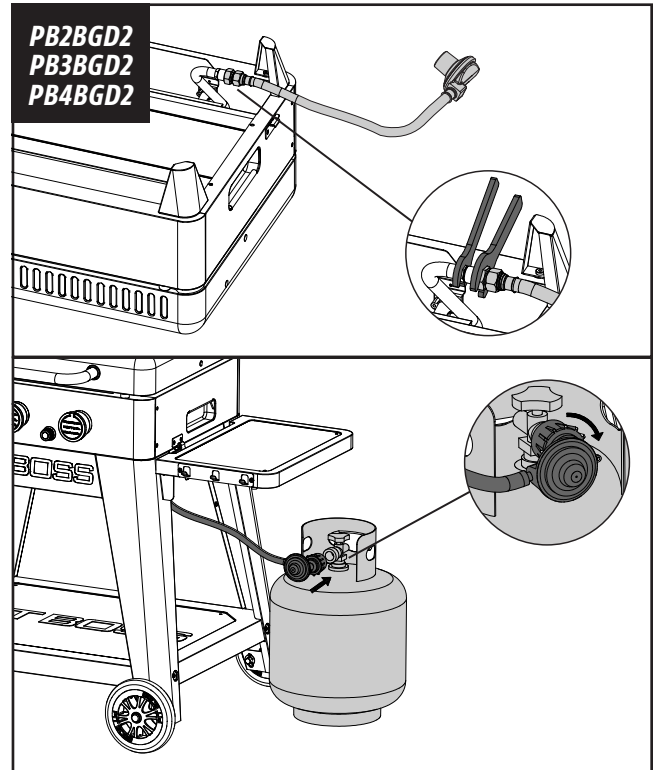
1. Hvis en regulator er forhåndsinstallert, kan du hoppe til neste trinn.

Hvis det ble installert et overgangssett for innsugingsrøret, må du holde steketakken av vognen for regulatorinstallasjonen. Koble regulatorrørslangen til steketakkens innsugingsrør ved å stramme helt med en skiftenøkkel. Installer steketakken på vognen igjen når regulatoren og regulatorrøret er installert. Forsikre deg om at regulatorrøret ikke er vridd eller klemt på noen måte når steketakken er tilbake på vognen.

2. For steketakke med skap trekker du regulatoren og regulatorrøret gjennom åpningen på vognens høyre vegg.
3. Plasser en gassylinder ved siden av vognen på høyre side. Påse at gassylinderventilen er i lukket stilling, CLOSED. Det er viktig å sørge for at gassylinderen er helt oppreist, da det er utrygt å betjene steketakken hvis gassylinderen ikke er riktig plan eller på en stabil overflate.
4. Påse at kontrollknottene på steketakken er helt lukket ved å dreie knotten med klokken til av-stillingen, "O" (OFF).
5. Fjern beskyttende hetter fra regulatorventilåpningen og toppen av gassylinderen. Ta vare på hettene.
6. Sett gassylinderventilen inn i den gjengede åpningen på regulatorventilen. Drei hurtigkoblingsmutteren med klokken til den sitter fast. Stram kun med hånden.
7. Gassylinderen er nå montert. Utfør lekkasjetest.

**ADVARSEL: Steng av gassylinderen hvis du lukter gass. Prøv å montere gassylinderen på nytt for å sikre at røret er riktig tilkoblet. Utfør lekkasjetest.**

**MERK: Den normale strømmen av gass gjennom regulatoren og slangen kan skape en summende lyd. Litt støy er helt normalt og vil ikke forstyrre driften av steketakken. Hvis summingen blir høy, kan det hende du må tømme luft fra gasslangen eller tilbakestille regulatorens enhet for gassovertlyt. Denne tømmeprosedyren bør gjøres hver gang en ny LP-gasstank kobles til steketakken.**



## KLARGJØRING FOR BRUK – LEKKASJETEST

Lekkasjetesten brukes til å fastslå om en tetning er tett. Før du begynner å bruke gassgrillen, skal du utføre en lekkasjetest på koblingen mellom regulatoren og gassylindere, for å redusere risikoen for alvorlig kroppsskade eller død som følge av brann eller eksplosjon. Lekkasjetesten må utføres minst én gang per sesong, samt:

- før du tenner grillen for første gang,
- hver gang gassylindere er skiftet ut,
- etter transport, spesielt over ujevne og humpete veier,
- etter en lengre lagringsperiode eller periode uten bruk.

### SLIK UTFØRER DU LEKKASJETESTEN

#### Nødvendig utstyr:

1 x Skål (*tom, ren*)

1 x Pensel (*ren*)

Oppvaskmiddel

Vann

#### Prosedyre:

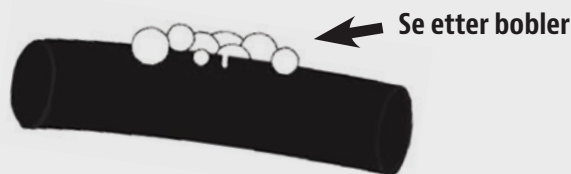
1. Plasser grillen i et godt ventilert område. Påse at grillen er kald nok til at du kan ta på den, og ikke i bruk. Bekreft at regulatorventilen er satt i avstillingen, OFF, og at gassylindere er festet godt fast til regulatoren.

**VIKTIG: Påse at det ikke er noen åpen flamme er røykere i nærheten.**

2. Bland en løsning med én del vann og én del oppvaskmiddel i en skål. Løsningen lager bobler, da den er konsentrert.
3. Bruk en pensel til å påføre løsningen på tetningen mellom regulatoren og gassylindere. Inspiser visuelt for strømmer av bobler fra en feil eller et brudd i tetningen.

**MERK: Hvis en lekkasje vises, gjentar du prosedyren for montering av gassylindere, uten å overstramme. Stram kun med hånden. Gjenta lekkasjetesten etter å ha montert sylindere på nytt, for å sikre at tetningen er tett.**

**VIKTIG: Ikke bruk gassgrillen hvis du oppdager en gasslekkasje som ikke kan korrigeres ved hjelp av lekkasjetestprosedyren. Kontakt det lokale brannvesenet eller kundeservice for alternative metoder for testing, for å sikre riktige forholdsregler.**



## DEMONTERE EN GASSYLINDER

1. Påse at kontrollknotten på grillen er helt lukket, ved å dreie knotten med klokken til avstillingen, OFF. Drei LP-gassylinderventilen til LUKKET stilling, og la regulatorknotten sprette ut.
2. Drei sylindere mot klokken (for hånd) for å koble den fra regulatorventilåpningen. Sett de beskyttende hettene tilbake på regulatorventilåpningen og toppen av gassylindere for lagring (hvis den ikke er tom).

**MERKNAD: Hvis du oppbevarer grillen innendørs, må du la gassflasken være utendørs.**

**ADVARSEL: Ikke transporter grillen med gassylindere festet fast. Sylindere kan løsne fra ventilen og forårsake en gasslekkasje, som kan resultere i en eksplosjon, brann eller alvorlig kroppsskade. Koble fra gassylindere før transport eller lagring. Hvis du lagrer grillen innendørs, skal gassylindere være utendørs.**



# INSTRUKSJONER FOR BRUK

## STEKETAKKEMILJØ

### 1. ANBEFALT Plassering av steketakken

Som for alle andre utendørsenheter, er værforholdene viktig for steketakkens ytelse og tilberedningstiden som kreves for perfekte måltider. Alle Pit Boss®-grillenheter må opprettholde en minimumsavstand på 1270 mm fra brennbare konstruksjoner, og denne avstanden må opprettholdes hver gang grillen er i bruk. Dette apparatet får ikke plasseres under brennbare tak eller overheng. Hold steketakken på et område som er uten brennbare materialer, eller andre brennbare damper og væsker.

### 2. Matlagning i kjølig vær

Selv om det blir kjøligere ute, betyr ikke det at grillsesongen er over! Den friske, kjølige luften og de deilige duftene av grillet mat er balsam for sjelen i vintermånedene. Følg disse forslagene til hvordan du kan grille i alle de kalde månedene:

- Vær organisert: hent alt du trenger på kjøkkenet før du går ut. Om vinteren flytter du grillen til et området som er i le for vinden og direkte kulde. Kontroller lokale lover om hvor nært grillen kan stå huset ditt og/eller andre strukturer. Legg alt du trenger å et brett, kle deg godt, og få det gjort!
- Du kan holde oversikt over temperaturen utendørs ved å plassere et utendørstermometer nær tilberedningsområdet. Noter deg hva du har laget, hva temperaturen var utendørs, og hvor lang tid tilberedningen tok. Dette hjelper deg senere når du skal finne ut hva du skal lage, og hvor lang tid det kommer til å ta.
- Ha en varm tallerken eller et tallerkendeksel klart, slik at maten holdes varm på vei inn igjen.

### 3. Matlagning i varmt vær

Når det blir varmere ute, går tilberedningstiden ned. Følg disse forslagene til hvordan du kan grille i alle de varme månedene:

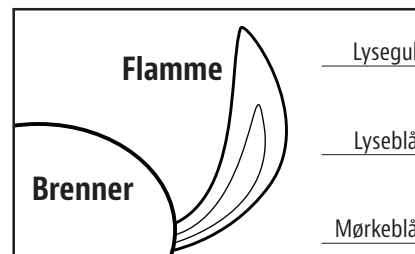
- Juster tilberedningstemperaturen nedover. Dette bidrar til å unngå uønsket oppflamming.
- Bruk et steketermometer til å fastsette den innvendige temperaturen i maten. Dette bidrar til å forhindre at kjøttet grilles for lenge og blir tørt.
- Du kan holde maten varm ved å pakke den inn i folie og legge den i en isolert kjøler. Stapp krøllet avisepapir rundt folien, så holder maten seg varm i 3–4 timer.

## FØRSTEGANGS BRUK – AVBRENNING AV STEKETAKKE

Før du tilbereder mat på steketakken for første gang, er det viktig å gjennomføre en avbrenning av grillen. Start steketakken og la den stå minst 15 minutter på HIGH for å brenne av enheten. Dette vil «varmevaske» de innvendige delene og fjerne lukter og fremmedlegemer.

### TENNEPROSEDYRE

1. Åpne lokket under tenning.
2. Sett alle kontrollknottene i stilling "O".
3. Åpne sylinter-/gassventilen i henhold til bruksanvisningen på tanken.
4. Skyv og vri brennekontrollknotten mot klokken til "🔥 (tennposisjon)".
5. Trykk på tennerknappen til brenneren tennes.
6. Hvis det ikke oppstår tenning innen 5 sekunder, vri ventilen til "O", vent 5 minutter, og gjenta tenninstruksjonene. Etter tenning observerer du brennerflammen. Påse at alle brennerportene er tent og at flammehøyden samsvarer med illustrasjonen.
7. Hvis punktene ovenfor ikke fungerer, følger du instruksjonene for **manuell tenning**.



**Hvis brenneren slukkes under bruk, dreier du kontrollknotten til av-posisjonen, "O" (OFF). Vent i fem minutter før du forsøker å tenne på nytt, for å la all akkumulert gass forsvinne.**

### PROSEDYRE FOR TENNERFEIL

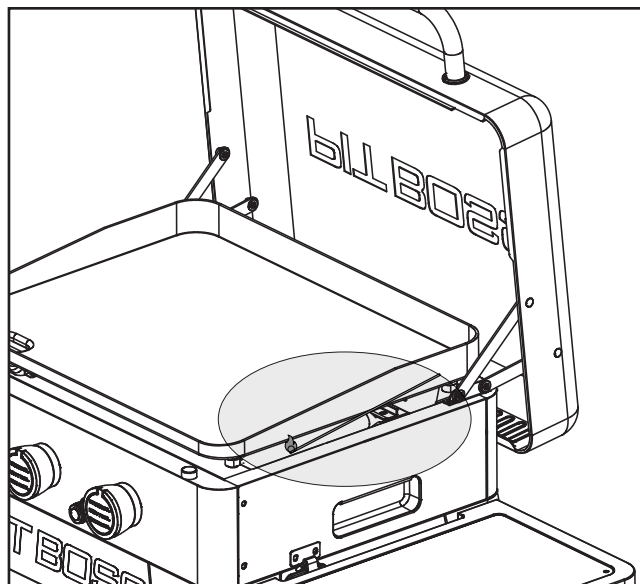
**Hvis tenneren svikter av en eller annen grunn etter tre eller fire forsøk, kontrollerer du trinnene nedenfor eller starter grillen manuelt.**

1. Forsikre deg om at kontrollknottene står i AV-stillingen (OFF). La all akkumulert gass forsvinne.
2. Kontroller det følgende etter fem minutter:
  - Kontroller visuelt at tenneren fungerer, ved å trykke på tennerknappen og se på tennertuppen etter gnist. Hvis du ikke ser noe gnist, skal du justere avstanden mellom tennertuppen (elektroden) og brenneren til 4,5 mm (3/16 tomme).
  - Bekreft visuelt at brennerslangen og porthullene ikke er blokkerte. Hvis de er blokkerte, følger du instruksjonene for stell og vedlikehold.
3. Hvis punktene ovenfor ikke fungerer, følger du instruksjonene for **feilsøking**.

## MANUELL TENNEPROSEDYRE

1. Åpne lokket under tenning.
2. Sett alle kontrollknottene i stilling "0".
3. Åpne sylinderventilen i henhold til bruksanvisningen på tanken.
4. Tenn brenneren raskt og forsiktig ved hjelp av en tent fyrstikk eller en lighter med langt rør. Få tilgang til brenneren under varmeplaten. Plasser den tente fyrstikken nærme siden av brenneren.

**FORSIKTIG: Ikke forsøk å tenne noe annet område av brenneren. Det kan føre til skader.**



5. Trykk og vri brennerkontrollknotten mot klokken til "🔥 (tennposisjon)", hold denne knotten inne i 10 sekunder etter at brenneren er tent. Du vil høre den "snappende" lyden fra gnisten til etter at knotten slippes.

**MERK: Ikke bruk sprit, lightervæske eller parafin til å tenne eller få fart på ilden i steketakken.**

6. Hvis brenneren ikke tennes innen 5 sekunder, setter du brennerkontrollknotten til "0", venter i 5 minutter og gjentar tenningsinstruksjonene. Etter tenning observerer du brennerflammen. Påse at alle brennerportene er tent og at flammehøyden samsvarer med den foregående illustrasjonen.

**MERK: Hver brenner tennes uavhengig – gjenta de samme trinnene for de andre brennerne.**

**ADVARSEL: Len deg aldri over kokeplassen mens du tenner gassteketakken. Hold ansiktet og kroppen på sikker avstand (minst 457 mm) fra overflaten til stekeristen når du tenner steketakken med fyrstikk.**

7. Hvis punktene ovenfor ikke fungerer, ser du **feilsøking**.

## SLÅ STEKETAKKEN AV

1. Når du er ferdig med å lage mat, dreier du gassylinderventilen til LUKKET stilling, og lar regulatorknotten sprette ut. Denne sikkerhetsfunksjonen låser regulatorknotten for å sikre at det ikke lenger strømmer gass.
2. Drei kontrollknottene til "0"-stilling.

**MERK: En «poff»-lyd er normalt når det siste av LP-gassen brennes.**

3. Koble fra gassforsyningen i henhold til avsnittet **Koble fra en gassylinder**.

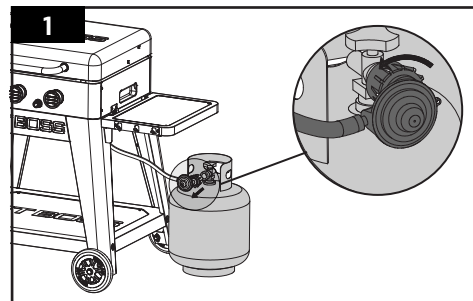
**ADVARSEL: La steketakken avkjøles helt, og fjern gassylindere før transport, reise eller lagring.**

## LØFTE STEKETAKKEN AV VOGNEN

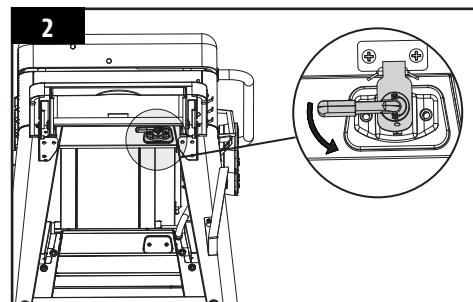
Hvis du har steketakker av modell PB2BPGG, PB3BPGG, PB4BPGG, kan de raskt og enkelt løftes av vognen for transport eller reise. Bare følg monteringsanvisningene i omvendt rekkefølge eller følgende sammendrag:

**VIKTIG: Forsikre deg om at steketakken er helt avkjølt, koblet fra gassforsyningen, og at fettopsamleren er fjernet.**

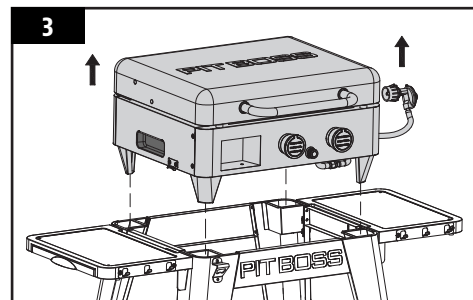
1. Koble enheten fra gassforsyningen. Løsne trykkregulatorenheten fra sylinderventilen ved å vri hurtigkoblingsmutteren mot klokken.



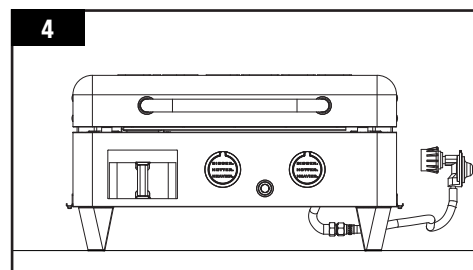
2. Vri på låsene (en på hver side) for å låse opp fyrkassen fra vognen.



3. Bruk to personer til å løfte steketakken forsiktig av vognen ved hjelp av innfelte spor på hver side. Ta spesielt vare på regulatoren og slangene mens du løfter.



4. Plasser fyrkassen på bakken eller på ønsket sted umiddelbart for å unngå personskade eller skade på enheten.

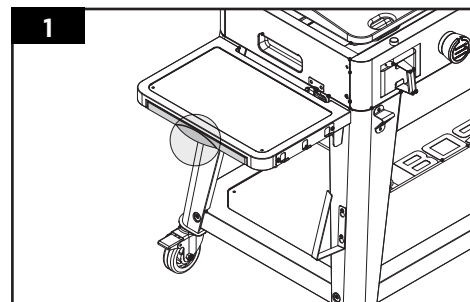


## BRUKE SØPPELPOSEHOLDEREN

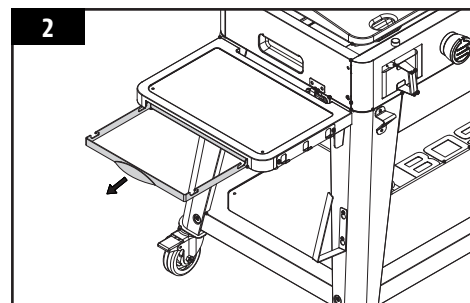
Søppelhenting har aldri vært enklere med søppelposeholderen. Denne rammen i rustfritt stål, som er plassert under venstre sidehylle, er enkel å rengjøre og fungerer med en standard dagligvarepose i plast, vanligvis rundt 10–20 liter i volum. Rammen er også designet for å holde de fleste standard søppelsekker (med eller uten håndtak) opptil 60 liter i volum.

**VIKTIG: Vær oppmerksom på hvor mye vekt som legges i posen på søppelposeholderen. Bytt posen ofte for å unngå å ødelegge integriteten til søppelposeholderens struktur og komponenter.**

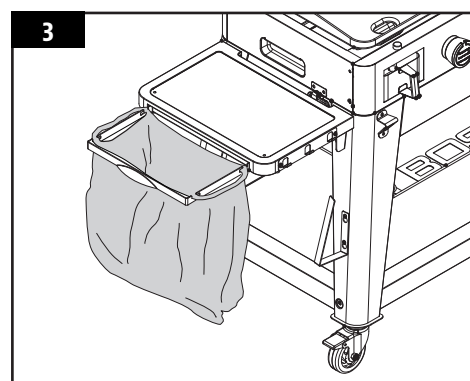
1. Finn håndtaket til søppelposeholderen på venstre sidehylle.



2. Trekk ut søppelposeholderen slik at rammebrakettene blir synlige.



3. Sett en dagligvarepose i plast eller standard søppelsekk i søppelposeholderen. Legg håndtakene på en dagligvarepose rundt rammebrakettene, eller legg søppelposen rundt tre sider av rammen for å holde den på plass.



# STELL OG VEDLIKEHOLD

## KONTROLLERE GASSNIVÅET

For å kontrollere gassmengden i LP-gassylinderen må grillen være på. Legg hånden på toppen av gassylinderen og flytt den langsomt ned langs siden til sylindere er kald å ta på. Dette angir omtrentlig mengde gass i sylindere. Hvis den er  $\frac{3}{4}$  tom, bytter du den ut med en full gassylinder.

**VIKTIG: Ikke bruk trekullbriketter eller noe brennbart materiale med grillen. Bruk av slikt materiale kan føre til brann, eksplosjon og kroppsskade, i tillegg til at garantien blir ugyldig.**

## RENGJØRINGSFREKVENS

Alle Pit Boss®-enheter gir deg mange års smaksrik bruk hvis du rengjør dem litt. Følg disse tipsene om rengjøring og vedlikehold for å holde grillen i god stand:

### 1. BRENNERKOMPONENTER

- Rengjør brenneren når det er mye oppbygninger på den, for å sikre at det ikke er tegn til blokkering (rester, insekter) på brennerrøret eller i porthullene. Etter perioder med lagring kan edderkopper eller små insekter bygge reder, nett og legge egg i brennerrøret, slik at gassflyten til brenneren hindres. Et tilstoppet rør kan føre til brann under apparatet. Hvis grillen skal settes bort eller før en lengre periode uten bruk skal brenneren fjernes og pakkes i aluminiumsfolie for å redusere risikoen for at insekter kommer inn i brennerhullene.
- Brenneren er forhåndsinnstilt for optimal flammeytelse. En blå flamme, eventuelt med en liten gul spiss, er resultatet av optimal luft- og gassblanding. Hvis flammene er svært gule, oransje eller uregelmessige, fjerner du rester av olje og mat på brenneroverflaten og porthullene for å øke luftstrømmen.

### 2. TILBEREDNINGSKOMPONENTENE

- Varmeplaten på bakken din er keramisk belagt. Det beste kjøkkenutstyret er tre, silikon eller nylon, da disse materialene vil redusere slitasjen på matlagingsflaten.
- Enheten kommer forhåndskrydret fra fabrikken, men det er viktig å rengjøre og krydre kokeplaten etter hver bruk for å forhindre rust, forlenge grillens levetid og lage en matlagingsfri overflate. Krydder på bakken er en kontinuerlig prosess som må gjentas i løpet av grillen din for å sikre den beste matlagingsopplevelsen og den lengste levetiden.
  1. Rengjør kokeplaten etter hver bruk, med en slikkepott eller skrape for å fjerne all mat og rusk.
  2. Påfør et jevnt lag matolje på kokeflaten. Vegetabilsk, oliven, peanøtt, kokosnøtt og sesamoljer er alle egnet for å krydre stekepannen.
  3. La avkjøles på et kjølig, tørt sted.

### 3. GRILLEN UTVENDIG

- Alle skruer og bolter skal kontrolleres regelmessig. Stram ved behov.
- Bruk et grilltrekk til å beskytte grillen helt! Et trekk er den beste beskyttelsen mot værforhold og forurensning i luften. Når enheten ikke er i bruk eller skal oppbevares over lang tid, oppbevarer du den under et trekk i en garasje eller bod med gassylinderen fjernet (må oppbevares utendørs).

## TIDSTABELL FOR RENGJØRING (NORMAL BRUK)

ELEMENT	RENGJØRINGSFREKVENS	RENGJØRINGSMETODE
Varmeplate	Etter hver bruk	Brenn av overflødig, skurepute og såpevann, smak til med matolje
Fettbrett	Etter hver bruk	Tøm, skurepute og såpevann
Brennerrør, porthull	Etter hver 5.-6. bruk	Tørk støv, skurepute og såpevann
Brennere	Etter hver 5.-6. bruk	Skurepute og såpevann
Vogn	Ved behov	Ikke-slipende klut og såpevann

# TIPS OG TEKNIKKER

Følg disse nyttige tipsene og teknikkene fra eiere av Pit Boss®-enheter, våre ansatte og kunder som deg, for å gjøre deg bedre kjent med grillen:

## 1. MATTRYGGHET

- Bruk andre tallerkener og redskaper til det ferdige kjøttet enn det du brukte til å tilberede eller flytte det rå kjøttet ut til grillen med. Dette hindrer kryssforurensning av bakterier. Hver enkelt marinade eller glassering må ha sitt eget redskap.
- Hold den varme maten varm (over 60 °C / 140 °F), og hold den kalde maten kald (under 3 °C / 37 °F). Tilberedt mat må ikke stå ute i varmen i over én time. Ikke la kald mat stå uten kjøling i over to timer.
- En marinade må aldri oppbevares for senere bruk. Hvis du også skal servere den til kjøttet, må du passe på å koke den opp før servering.
- Tin og mariner kjøtt gjennom kjøling. Ikke tin kjøtt i romtemperatur eller på kjøkkenbenken. Bakterier kan vokse og formere seg raskt i varm, fuktig mat. Vask hendene grundig med varmt såpevann før du begynner å lage mat, og etter at du har håndtert ferskt kjøtt, fisk og fjærkre.

## 2. FORBEREDELSE TIL TILBEREDNING

- Gjør alt klart, også kalt **Mise en Place**. Det betyr at du henter oppskriften, drivstoff, tilbehør, redskaper og alle ingrediensene du trenger ved grillen, før du begynner å tilberede maten. Les også hele oppskriften fra start til slutt før du tenner grillen.
- En grillmatte på gulvet er veldig nyttig. Den kan beskytte terrassegulvet, hellene eller flisene mot mulige fettflekker eller utilsiktet søl som skyldes uhell ved håndteringen av matvarene og spruting fra tilberedningen.

## 3. TIPS OG TEKNIKKER FOR GRILLING

- Bruk alltid et steketermometer til å fastsette den innvendige temperaturen i maten du tilbereder. Det er lurt å legge ferdig tilberedt mat på en varm tallerken, slik at maten holder seg varm. Rødt kjøtt, for eksempel biffer og steiker, kan med fordel hvile noen minutter før servering. Dette gjør at saften som ble ført mot overflaten av varmen, trekker seg tilbake til midten av kjøttet og tilfører mer smak.
- Det er best å påføre sukkerbaserte sauser mot slutten av tilberedningen for å unngå at kjøttet blir brent, og for å unngå oppflamming.
- Bruk en tang med langt håndtak til å snu kjøttet, og bruk en stekespade til å snu hamburgere og fisk. Hvis du bruker et redskap med tagger, for eksempel en gaffel, lager du hull i kjøttet som gjør at saften renner ut.



# FEILSØKING

Riktig rengjøring og vedlikehold forhindrer vanlige driftsproblemer. Når grillen fungerer dårlig, eller brukes sjelden, kan feilsøkingstipsene nedenfor være nyttige. For ofte stilte spørsmål (FAQ), gå til [www.pitboss-grills.com](http://www.pitboss-grills.com). Du kan også kontakte den lokale forhandleren eller kundeservice hvis du trenger hjelp.

**ADVARSEL: Pass på at grillen er helt nedkjølt, slik at du unngår skader.**

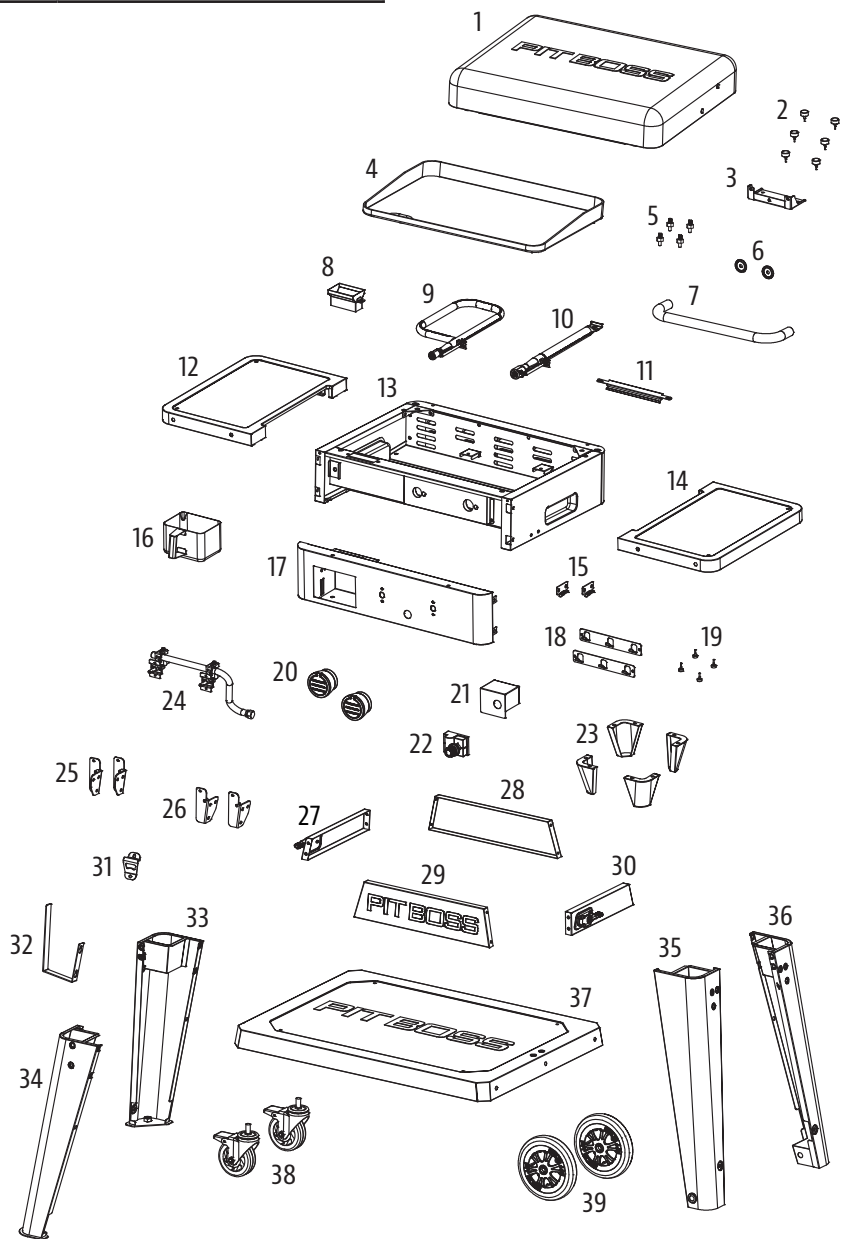
PROBLEM	ÅRSAK	LØSNING
Brenneren tennes ikke	Tennerledningen er ødelagt	Kontakt kundeservice for hjelp eller reservedeler.
	Ingen tennergnist på elektroden	Juster elektroden. Kontakt kundeservice for hjelp eller reservedeler.
	Det tilføres ikke gass	Kontroller regulatorventilen. Kontroller koblingen for lekkasje.
Fettbrann / hyppig oppflamming	Grilling av fettholdig kjøtt	Grill fettholdig kjøtt når grillflaten er kald og knottene er på den lave innstillingen, LOW.
	Steketemperatur	Forsøk å tilberede på lavere temperatur. Fett har ikke noe flammepunkt. Hold temperaturen under 176 °C / 350 °F når du tilbereder mat med mye fett.
	Vann sprutet på gassflammer	Ikke spurt vann på gassflammer.
Brenneren blåses ut	Ingen gassflyt	Kontroller gasstilkoblingen, og forviss deg om at den er åpen. Bytt gassylindere hvis den er tom.
	Vindkast eller sterk vind	Snu forsiden av grillen vekk fra vinden eller øk flammehøyden.
Lav varme på «HIGH»	Portene er blokkert	Fjern alle hindringer fra portene
	Gassylindere er tom	Fyll på gassylindere.
Gasslekkasje	Feil montering	Drei regulatorknotten til av-stillingen, OFF, og la regulatorknotten sprette ut. Fjern gassylindere. Monter på nytt og stram. Utfør lekkasjetest for å sikre ordentlig tetning. Bytt gassylindere hvis den er skadet.
	Tetningsfeil	Gassylindere er korrodert, rusten eller har blitt feilbehandlet. Bytt gassylindere.
	Feil på regulator	Regulatoren må skiftes ut. Kontakt kundeservice for reservedeler.
Brennerflammene er gule eller oransje	Dårlig luftstrøm	Kontroller brennerrøret og brennerportene for edderkoppnett eller andre blokkeringer. Følg instruksjonene for <b>stell og vedlikehold</b> for å rengjøre brennerrøret.
	Brennerblokkering	
	Fettoppsamleren er full, søl	Tøm fettoppsamleren og sett den på plass igjen. Følg instruksjonene for <b>stell og vedlikehold</b> .
	Regulatorventilen er av	Kontroller tilkoblingen fra regulatorventilen til gassylindere. Fjern den og monter den på nytt. Utfør lekkasjetest.
	Brenneren er skitten	Drei regulatorknotten til HIGH (høy) i fem minutter, og foreta en avbrenning av enheten. Følg instruksjonene for <b>stell og vedlikehold</b> .

# RESERVEDELER

## PB2BGD2

Delenr.	Beskrivelse
1	Lokk (x1)
2	Lokkstøtte gummi (x6)
3	Lokkstøtte (x1)
4	Varmeplate (x1)
5	Varmeplateskruer (x4)
6	Håndtaksramme for lokk (x2)
7	Lokkhåndtak (x1)
8	Fettavløp (x1)
9	P-brenner (x1)
10	Høyre brenner (x1)
11	Brennerovergang (x1)
12	Sidehylle - venstre (x1)
13	Fyrkasse (x1)
14	Sidehylle - høyre (x1)
15	Låsekrok (x2)
16	Fetttoppsamler (x1)
17	Kontrollpanel for fyrkasse (x1)
18	Panel for sidehyllekrok (x2)
19	Gummi for sidehylle (x4)
20	Kontrollknott (x2)
21	Tennervarmevern (x1)
22	Tenner (x1)
23	Fyrkassføtter (x4)
24	Ventilmekanisme (x1)
25	Hyllebrakett - venstre (x2)
26	Hyllebrakett - høyre (x2)
27	Sidepanel vogn - venstre (x1)
28	Bakpanel vogn (x1)
29	Frontpanel vogn (x1)
30	Sidepanel vogn - høyre (x1)
31	Flaskeåpner (x1)
32	Papirhåndklekrok (x1)
33	Støttebein for styrehjul - bak (x1)
34	Støttebein for styrehjul - foran (x1)
35	Støttebein for hjul - foran (x1)
36	Støttebein for hjul - bak (x1)
37	Bunnhylle (x1)
38	Låsehjul (x2)
39	Hjul (x2)

Delenr.	Beskrivelse
A	Skrue (x37)
B	Skive (x16)
C	Låseskive (x16)
D	Skrue (x4)
E	Hjulsaksesplinter (x2)
F	Hjulskiver (x2)
G	Hjulakselpinner (x2)
H	Batteri (x1)



NO

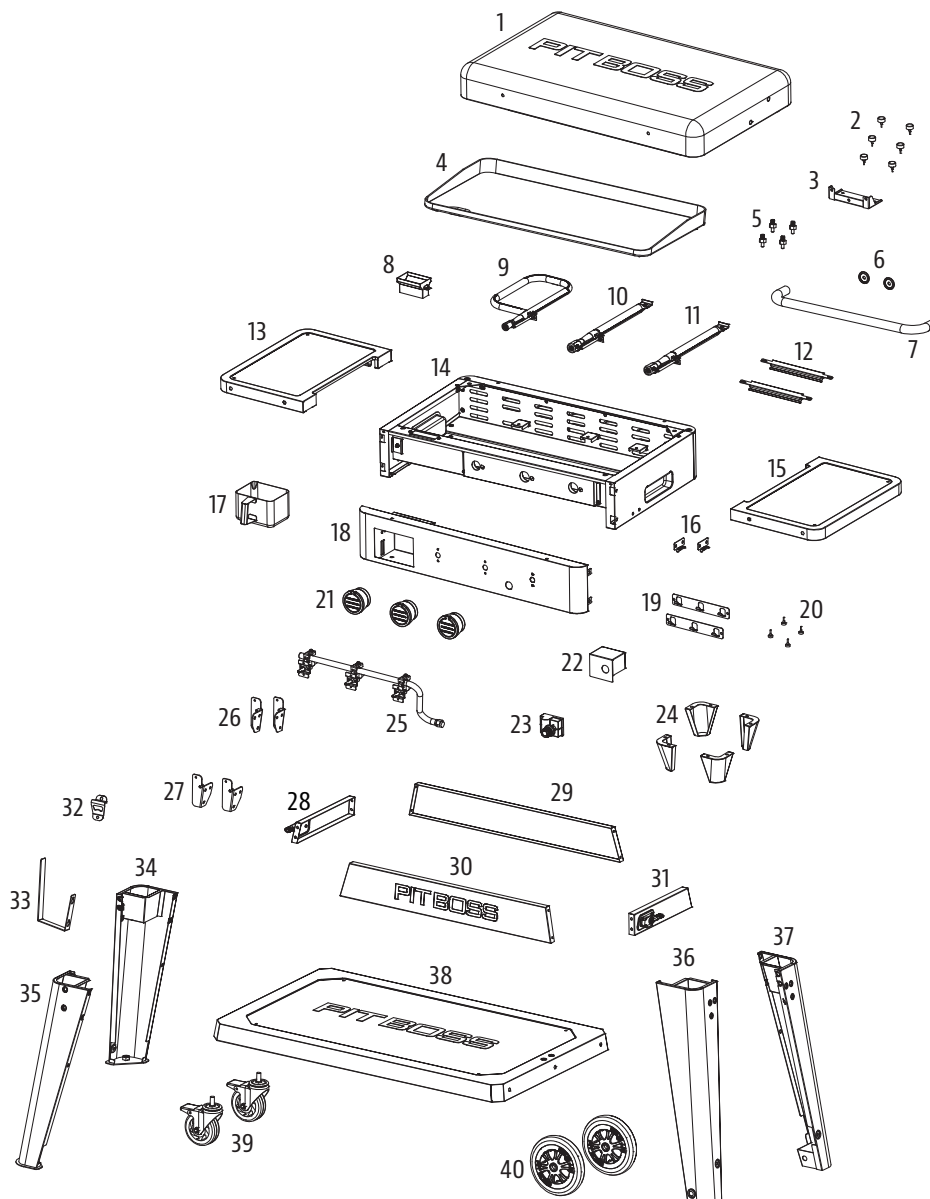
NORSK

MERK: På grunn av kontinuerlig produktutvikling kan delene endres uten forvarsel.

# PB3BGD2

Delnr.	Beskrivelse
1	Lokk (x1)
2	Lokkstøtte gummi (x6)
3	Lokkstøtte (x1)
4	Varmeplate (x1)
5	Varmeplateskruer (x4)
6	Håndtakstramme for lokk (x2)
7	Lokkhåndtak (x1)
8	Fettavløp (x1)
9	P-brenner (x1)
10	Midtre brenner (x1)
11	Høyre brenner (x1)
12	Brennerovergang (x2)
13	Sidehylle - venstre (x1)
14	Fyrkasse (x1)
15	Sidehylle - høyre (x1)
16	Låsekrok (x2)
17	Fettoppsamler (x1)
18	Kontrollpanel for fyrkasse (x1)
19	Panel for sidehyllekrok (x2)
20	Gummi for sidehylle (x4)
21	Kontrollknott (x3)
22	Tennervarmevern (x1)
23	Tenner (x1)
24	Fyrkasseføtter (x4)
25	Ventilmekanisme (x1)
26	Hyllebrakett - venstre (x2)
27	Hyllebrakett - høyre (x2)
28	Sidepanel vogn - venstre (x1)
29	Bakpanel vogn (x1)
30	Frontpanel vogn (x1)
31	Sidepanel vogn - høyre (x1)
32	Flaskeåpner (x1)
33	Papirhåndklekrok (x1)
34	Støttebein for styrehjul - bak (x1)
35	Støttebein for styrehjul - foran (x1)
36	Støttebein for hjul - foran (x1)
37	Støttebein for hjul - bak (x1)
38	Bunnhylle (x1)
39	Låsehjul (x2)
40	Hjul (x2)

Delnr.	Beskrivelse
A	Skrue (x37)
B	Skive (x16)
C	Låseskive (x16)
D	Skrue (x4)
E	Hjulsaksesplinter (x2)
F	Hjulskiver (x2)
G	Hjulakselpinner (x2)
H	Batteri (x1)



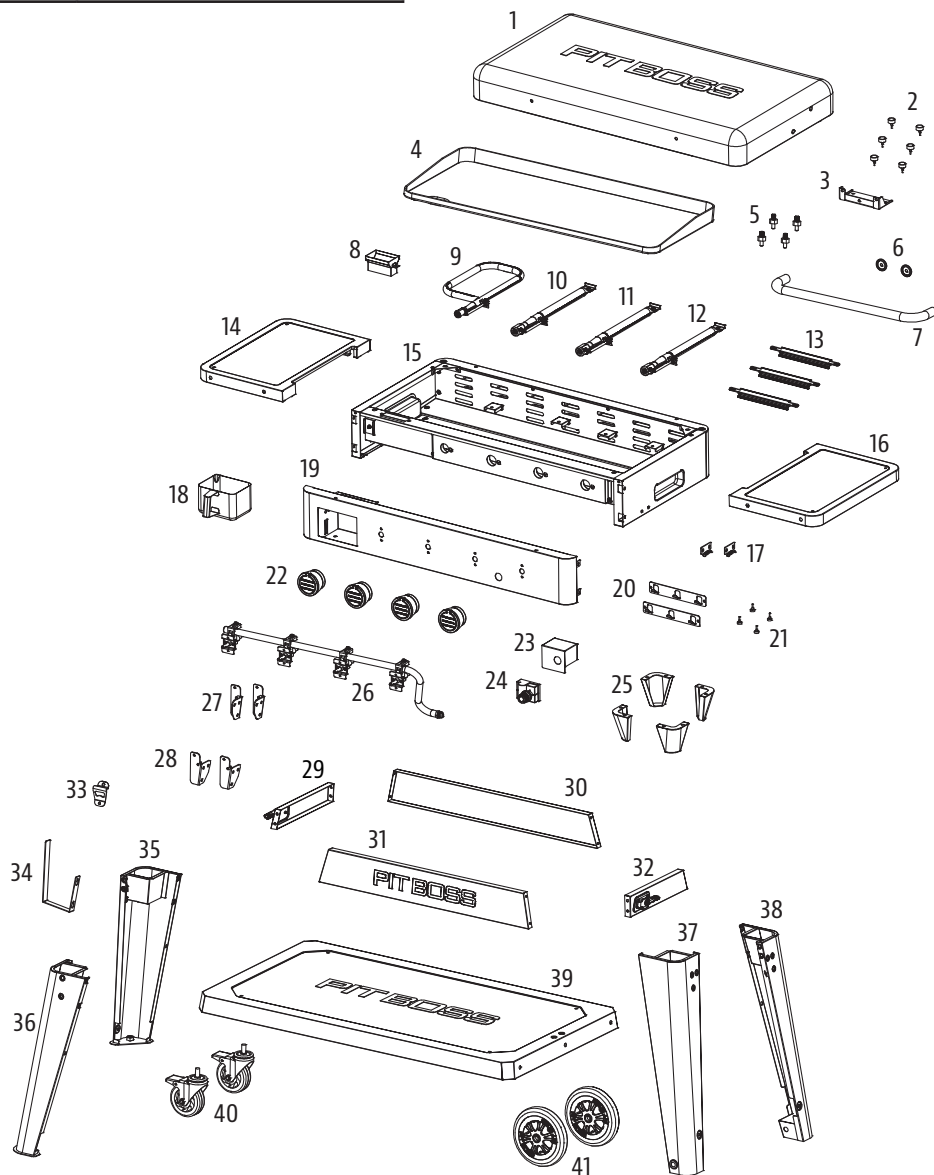
NO  
NORSK

MERK: På grunn av kontinuerlig produktutvikling kan delene endres uten forvarsel.

# PB4BGD2

Delenr.	Beskrivelse
1	Lokk (x1)
2	Lokkstøtte gummi (x6)
3	Lokkstøtte (x1)
4	Varmeplate (x1)
5	Varmeplateskruer (x4)
6	Håndtaksramme for lokk (x2)
7	Lokkhåndtak (x1)
8	Fettavløp (x1)
9	P-brenner (x1)
10	Venstre brenner (x1)
11	Midtre brenner (x1)
12	Høyre brenner (x1)
13	Brennerovergang (x3)
14	Sidehylle – venstre (x1)
15	Fyrkasse (x1)
16	Sidehylle – høyre (x1)
17	Låsekrok (x2)
18	Fettoppsamler (x1)
19	Kontrollpanel for fyrkasse (x1)
20	Panel for sidehyllekrok (x2)
21	Gummi for sidehylle (x4)
22	Kontrollknott (x4)
23	Tennervarmevern (x1)
24	Tenner (x1)
25	Fyrkasseføtter (x4)
26	Ventilmekanisme (x1)
27	Hyllebrakett – venstre (x2)
28	Hyllebrakett – høyre (x2)
29	Sidepanel vogn – venstre (x1)
30	Bakpanel vogn (x1)
31	Frontpanel vogn (x1)
32	Sidepanel vogn – høyre (x1)
33	Flaskeåpner (x1)
34	Papirhåndklekrok (x1)
35	Støttebein for styrehjul – bak (x1)
36	Støttebein for styrehjul – foran (x1)
37	Støttebein for hjul – foran (x1)
38	Støttebein for hjul – bak (x1)
39	Bunnhylle (x1)
40	Låsehjul (x2)
41	Hjul (x2)

Delenr.	Beskrivelse
A	Skrue (x37)
B	Skive (x16)
C	Låseskive (x16)
D	Skrue (x4)
E	Hjulaksespinter (x2)
F	Hjulskiver (x2)
G	Hjulakselpinner (x2)
H	Batteri (x1)



MERK: På grunn av kontinuerlig produktutvikling kan delene endres uten forvarsel.

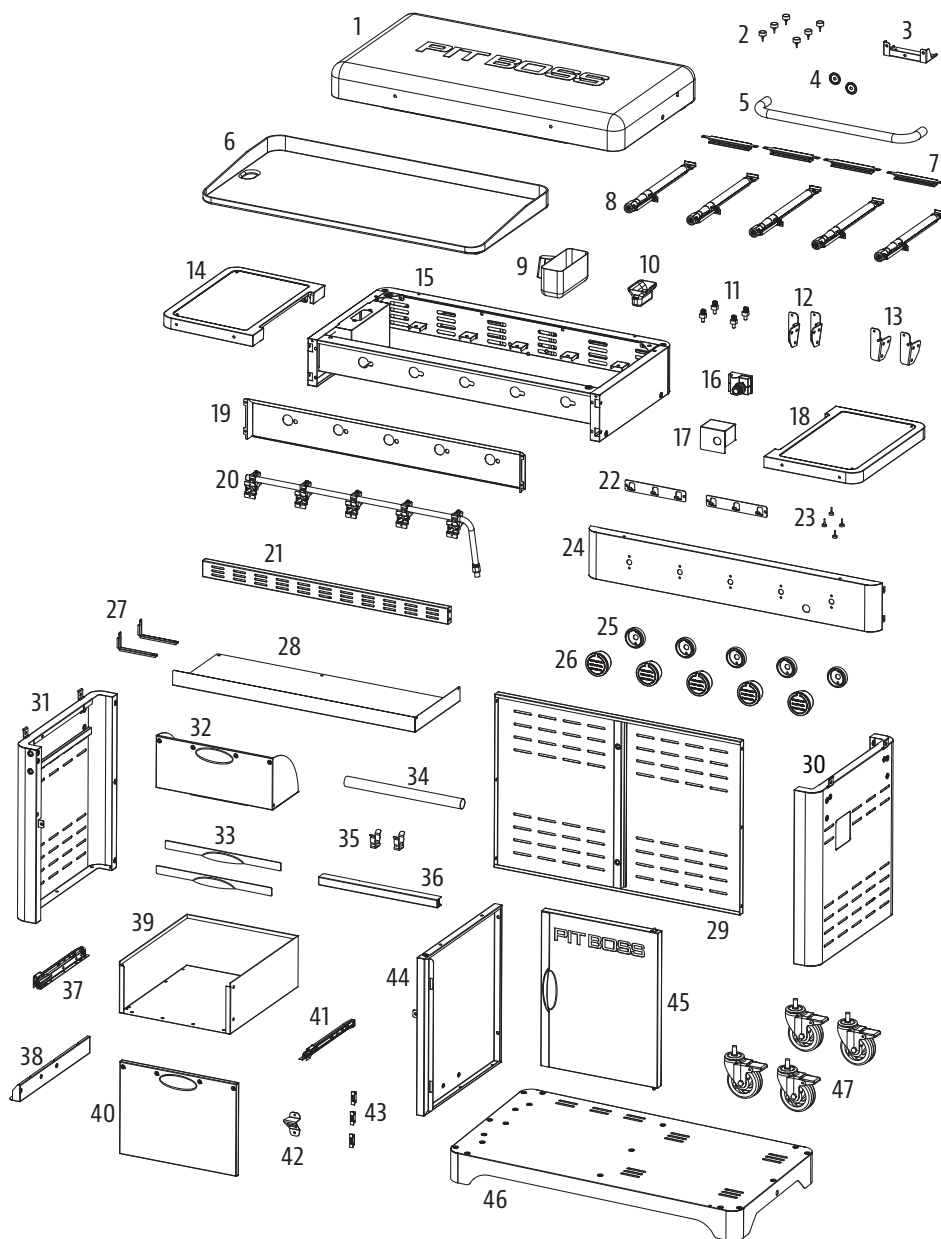
NO

NORSK

# PB5BGD2

Delenr.	Beskrivelse
1	Lokk (x1)
2	Lokkstøtte gummi (x6)
3	Lokkstøtte (x1)
4	Håndtaksramme for lokk (x2)
5	Lokkhåndtak (x1)
6	Varmeplate (x1)
7	Brennerovergang (x4)
8	Brenner (x5)
9	Fettoppsamler (x1)
10	Fettavløp (x1)
11	Varmeplateskruer (x4)
12	Hyllebrakett - venstre (x2)
13	Hyllebrakett - høyre (x2)
14	Sidehylle - venstre (x1)
15	Fyrkasse (x1)
16	Tenner (x1)
17	Tennervarmevern (x1)
18	Sidehylle - høyre (x1)
19	Fremre varmevern (x1)
20	Ventilmekanisme (x1)
21	Frontpanel vogn (x1)
22	Panel for sidehyllekrok (x2)
23	Gummi for sidehylle (x4)
24	Kontrollpanel for fyrkasse (x1)
25	Kontrollknottbase (x5)
26	Kontrollknott (x5)
27	Varmevernbrakett (x2)
28	Varmevernpanel (x1)
29	Bakpanel vogn (x1)
30	Sidepanel vogn - høyre (x1)
31	Sidepanel vogn - venstre (x1)
32	Svingeskuff (x1)
33	Skuffehåndtak (x2)
34	Papirhåndkleetang (x1)
35	Stoppblokk (x2)
36	Skuffestøttebjelke (x1)
37	Skuffeskinner - venstre (x1)
38	Skinnebrakett (x1)
39	Skuff (x1)
40	Skuffefront (x1)
41	Skuffeskinner - høyre (x1)
42	Flaskeåpner (x1)
43	Magnetisk spenne (x3)
44	Vognskillevegg (x1)
45	Skapdør (x1)
46	Vognbunn (x1)
47	Låsehjul (x4)

Delenr.	Beskrivelse
A	Skrue (x54)
B	Skrue (x2)
C	Låseskive (x14)
D	Skive (x14)
E	Skrue (x14)
F	Skrue (x6)
G	Batteri (x1)



MERK: På grunn av kontinuerlig produktutvikling kan delene endres uten forvarsel.

# GARANTI

## VILKÅR

Alle gassteketakker fra Pit Boss® Grills, produsert av Dansons, leveres med en begrenset garanti fra salgsdatoen fra den opprinnelige eieren. Garantidekningen starter på den opprinnelige kjøpsdatoen, og kjøpsbevis med dato, eller en kopi av den opprinnelige salgskvitteringen, kreves for at garantien skal være gyldig. Kunder må betale avgifter for deler, forsendelse og håndtering hvis de ikke kan levere kjøpsbevis, eller hvis garantien har utløpt. Dansons gir en to (2) års garanti mot feil og utførelse på alle deler. Dansons garanterer at alle deler er uten defekter i material og utførelse, så lenge den opprinnelige kjøperen eier og bruker enheten. Garantien gjelder ikke skader som skyldes slitasje, for eksempel riper, bulker, avskallinger eller mindre kosmetiske sprekker. Slike estetiske endringer i steketakken har ikke innvirkning på ytelsen. Reparasjon eller erstatning av deler skjer ikke etter den begrensede garantien på to (2) år fra kjøpsdatoen.

Dansons' forpliktelser i garantiperioden er begrenset til å levere en erstatningsdel for defekte og/eller sviktende komponenter. Så lenge garantien fortsatt er gyldig, krever ikke Danson betaling for reparasjon eller erstatning av deler som returneres, med forhåndsbetalt frakt, hvis Dansons undersøker dem og anser dem som defekte. Dansons har ikke ansvaret for transportavgifter, arbeidskostnader eller eksportgebyrer. Med unntak av det som er angitt i disse garantivilkårene, skal reparasjon eller erstatning av deler med metoden og innenfor tidsrammen som er nevnt her, regnes som at Dansons har oppfylt alle utledede forpliktelser og ansvarsområder overfor deg. Dansons tar alle forholdsregler for å bruke materialer som forsinker rust. Selv med disse tiltakene kan det hende at det beskyttende belegget blir skadet av ulike stoffer og forhold som er utenfor Dansons' kontroll. Høy temperatur, mye fuktighet, klor, industriell røyk, gjødsel, sprøytemidler for plen og salt er noen av stoffene som kan ha innvirkning på metallbelegg. Garantien dekker derfor ikke rust eller oksidering, med mindre steketakkens komponenter mister strukturell integritet. Hvis noen av forholdene ovenfor skulle oppstå, kan du se delen om stell og vedlikehold for å forlenge enhetens levetid. Dansons anbefaler bruk av et trekk når steketakken ikke er i bruk.

Denne garantien er basert på vanlig hjemmebruk og vedlikehold av steketakken, og dekingen av den begrensede garantien gjelder ikke for en steketakke som brukes i kommersielle sammenhenger.

## UNNTAK

Det finnes ingen skriftlig eller indirekte ytelsesgaranti for Pit Boss® Grills-produkter ettersom produsenten ikke har noen kontroll over monteringen, bruken, rengjøringen, vedlikeholdet eller typen drivstoff som brukes. Denne garantien gjelder ikke, og Dansons tar ikke ansvaret, hvis enheten ikke er montert, brukt, rengjort og vedlikeholdt i nøye samsvar med denne brukerhåndboken. Bruk av gass som ikke er beskrevet i denne håndboken, kan gjøre garantien ugyldig. Garantien dekker ikke skader eller brudd som skyldes misbruk, feil håndtering eller modifikasjoner. Verken Dansons eller den autoriserte Pit Boss®-grillforhandleren har noe juridisk ansvar eller andre typer ansvar for tilfeldige skader eller følgeskader på eiendom eller personer som oppstår på grunn av bruk av dette produktet. Uansett om det legges inn et krav mot Dansons som er basert på brudd på denne garantien eller andre typer garantier som er uttrykt eller underforstått i lover og regler, har produsenten ikke noe ansvar for eventuelle spesielle skader, indirekte skader, følgeskader eller andre typer skader av hvilken som helst art utover det opprinnelige kjøpet av dette produktet. Alle garantier fra produsenten er angitt her, og det kan ikke legges inn krav mot produsenten om andre garantier eller fremstillinger. Enkelte delstater eller land tillater ikke utelukkelse eller begrensning av tilfeldige skader eller følgeskader, eller begrensninger av indirekte garantier, så begrensningene eller utelukkelsene i denne begrensede garantien gjelder kanskje ikke for deg. Denne begrensede garantien gir deg spesifikke juridiske rettigheter, og du kan ha andre rettigheter, som varierer i ulike delstater og land.

## BESTILLE RESERVEDELER

Hvis du vil bestille reservedeler, kontakter du den lokale Pit Boss® Grills-forhandleren eller går til nettbutikken vår på: [www.pitboss-grills.com](http://www.pitboss-grills.com)

## KONTAKTE KUNDESERVICE

Hvis du har spørsmål eller kommentarer, kan du kontakte kundeservice på: [www.pitboss-grills.com](http://www.pitboss-grills.com)

## GARANTISERVICE

Kontakt den nærmeste Pit Boss®-grillforhandleren for reparasjon eller reservedeler. Dansons krever kjøpsbevis for å etablere et garantikrav. Behold derfor den opprinnelige salgskvitteringen eller fakturaen for fremtidig referanse. Serie- og modellnummeret for Pit Boss®-enheten er plassert direkte på enheten. Noter deg numrene nedenfor, ettersom etiketten kan bli slitt og uleselig.

---

MODELL

---

SERIENUMMER

---

KJØPSDATO

---

AUTORISERT FORHANDLER

NO

NORSK

## INFORMACJE DOTYCZĄCE BEZPIECZEŃSTWA

**GŁÓWNYMI PRZYCZYNAMI POŻARÓW URZĄDZEŃ ELEKTRYCZNYCH JEST ZANIEDBANIE CZYNNOŚCI KONSERWACYJNYCH ORAZ NIEZACHOWANIE ODPOWIEDNIEJ ODLEGŁOŚCI OD MATERIAŁÓW ZAPALNYCH. NIEZWYKLE WAŻNE JEST, ABY PRODUKT TEN BYŁ UŻYTKOWANY WYŁĄCZNIE W OPARCIU O ZALECENIA INSTRUKCJI.**

Przed przystąpieniem do montażu, obsługi i instalacji urządzenia należy dokładnie zapoznać się z całą niniejszą instrukcją. Umożliwi to przyjemne i bezproblemowe korzystanie z nowej przenośnej gazowej płyty grillowej. Zalecamy także zachowanie niniejszej instrukcji do wykorzystania w przyszłości.

### OSTRZEŻENIA DOTYCZĄCE PROPANU

#### ZAGROŻENIE

Jeśli poczujesz gaz:

- Odłącz dopływ gazu do urządzenia
- Ugaś wszelkie otwarte płomienie.
- Otwórz pokrywę.
- Jeśli zapach nadal będzie wyczuwalny, nie zbliżaj się do urządzenia i natychmiast skontaktuj się z dostawcą gazu lub ze strażą pożarną.

#### OSTRZEŻENIE

- Nie należy przechowywać ani używać benzyny ani innych łatwopalnych płynów lub oparów w pobliżu tego ani żadnego innego urządzenia.
- Nie należy przechowywać butli gazowej niepodłączonej do urządzenia w pobliżu tego ani żadnego innego urządzenia.
- Do grilla potrzebna jest butla gazowa z gwintami zaworów umieszczonymi na zewnątrz i odpowiednio napełniona standardowym gazem do grillowania (G30/G31). Maksymalna średnica i wysokość butli gazowej to odpowiednio 300 mm (11,8 cala) i 600 mm (23,6 cala).

1. Upewnij się, że butla z gazem została zakupiona u sprawdzonego dostawcy. Nieprawidłowo napełniony lub przepełniony zbiornik z gazem może stwarzać zagrożenie. Przepełnienie zbiornika z gazem w warunkach powodujących wzrost jego temperatury (gorący dzień, pozostawienie zbiornika na słońcu itp.) może spowodować, że ze zbiornika zacznie ulatniać się gaz, jako że wzrost temperatury gazu powoduje zwiększenie się jego objętości. Gaz ulatniający się ze zbiornika jest łatwopalny i może stwarzać ryzyko wybuchu.
2. Nie należy korzystać z butli z gazem, jeśli jej zawór jest uszkodzony lub jeśli są na niej widoczne wgniecenia, wyżłobienia, ślady ognia, korozja, wycieki, mocna rdza lub inne ślady wizualne świadczące o zewnętrznym uszkodzeniu; korzystanie z takiej butli może być niebezpieczne, dlatego powinna ona natychmiast zostać sprawdzona przez dostawcę propanu.

**Jeśli widzisz, czujesz lub słyszysz syk gazu uwalniającego się z butli, nie próbuj rozpalać urządzenia. Ugaś wszelkie otwarte płomienie. Odłącz dopływ paliwa do urządzenia.**

3. Nie wolno podłączać ani odłączać butli gazowej od urządzenia w czasie jego pracy i po jego wyłączeniu, gdy wciąż jest gorące. Gdy płyta grillowa nie jest używana, upewnij się, że pokrętło regulatora znajduje się w pozycji WYŁĄCZONE (OFF) i odłącz butlę gazową. Nie należy przenosić ani transportować urządzenia z podłączoną butlą gazową. Nie należy przechowywać zapasowej butli gazowej pod urządzeniem ani w jego pobliżu.
4. Butle gazowe muszą być przechowywane na zewnątrz, poza zasięgiem dzieci, i nie mogą być przechowywane w budynku, garażu ani w jakimkolwiek innym pomieszczeniu.



5. Nie należy utrudniać odprowadzania gazów powstałych podczas spalania ani blokować wentylacji tego urządzenia. Należy dbać o czystość rury palnika oraz otworów, przez które wydostaje się gaz, i zwracać uwagę na to, by nie były one zanieczyszczone resztkami. Wyczyść urządzenie przed użyciem. W celu przedłużenia żywotności urządzenia wymagana jest regularna pielęgnacja i konserwacja.
6. Podczas podłączania i odłączania regulatora do butli z gazem należy zawsze sprawdzić butlę pod kątem ewentualnych wycieków gazu, zwłaszcza po dłuższym okresie przechowywania, na przykład po zimie. Należy sprawdzić wszystkie połączenia pod kątem wycieków, korzystając w tym celu z wody z dodatkiem mydła oraz pędzla. W celu przeprowadzenia kontroli pod kątem wycieków nie należy używać otwartego płomienia.
7. Przed każdym użyciem urządzenia do gotowania wykorzystującego gaz i przeznaczonego do użytku na świeżym powietrzu należy wyczyścić i sprawdzić regulator gazu. W przypadku wykrycia nadmiernego wytarcia lub zużycia regulatora gazu należy wymienić regulator przed rozpoczęciem korzystania z urządzenia.
8. Apparatet skal bare brukes med flytende petroleum, dette er også spesifisert på rangeringsetiketten på enheten. Ikke prøv å bruke grillen med andre gasser. Ikke prøv å konvertere denne LP-enheten til naturgass. Hvis ikke denne advarselen følges, kan det føre til brann og kroppsskade, og ugyldiggjør garantien.
9. Położenie rury palnika względem kryzy ma kluczowe znaczenie dla bezpiecznej pracy. Przed użyciem rusztu gazowego sprawdź, czy otwór znajduje się wewnątrz rury palnika. Jeśli rura palnika nie pasuje do otworu zaworu, zapalenie palnika może spowodować wybuch i/lub pożar.

## ZAGROŻENIA I OSTRZEŻENIA

**W celu uzyskania stosownych pozwoleń, informacji o wymaganiach i ograniczeniach instalacyjnych, np. w przypadku instalacji grilla na powierzchni łatwopalnej, wymagań inspekcyjnych lub nawet informacji o możliwości użytkowania w danym rejonie, musisz skontaktować się z administracją budynku, lokalnym inspektorem nadzoru budowlanego, strażą pożarną lub innym uprawnionym organem.**

1. Zachowaj odstęp co najmniej 130 cm (50 cali) między bokami i tyłem płyty grillowej a materiałami palnymi. Nie ustawiaj urządzenia na palnych podłogach ani podłogach wyłożonych palnymi materiałami, chyba że uzyskano odpowiednie pozwolenia wydane przez właściwe władze. **Nie korzystaj z tego urządzenia w pomieszczeniach ani na obszarach zamkniętych i niewentylowanych, wewnątrz domów, pojazdów, namiotów, garaży.** Nie ustawiaj urządzenia pod łatwopalnym sufitem podwieszanym ani pod okapem dachu. Ustawiaj płytę grillową w pustym miejscu wolnym od materiałów palnych, benzyny i innych łatwopalnych cieczy czy oparów.

**W przypadku wystąpienia pożaru wywołanego kontaktem z tłuszczem, wyłącz grill i pozostaw jego pokrywę zamkniętą aż do ugaszenia ognia. Odłącz przewód zasilający. Nie polewaj urządzenia wodą. Nie próbuj tłumić ognia. Zaleca się przechowywać w pobliżu gaśnicę zatwierdzoną dla wielu klas pożarów (klasa ABC). W przypadku wystąpienia pożaru niekontrolowanego, wezwij straż pożarną.**

2. Grill przeznaczony do użytku na świeżym powietrzu nie jest przeznaczony do instalacji w przyczepach ani na łodziach.

**Nigdy nie należy korzystać z tego urządzenia w zamkniętych przestrzeniach, takich jak samochód kempingowy, namiot, łódź ani pomieszczenia mieszkalne. To urządzenie nie zostało zaprojektowane jako grzejnik i nie powinno być wykorzystywane do celów ogrzewania.**

3. To urządzenie nie jest zalecane dla dzieci, osób o obniżonej sprawności ruchowej, sensorycznej lub intelektualnej bądź też osób bez odpowiedniego doświadczenia i wiedzy, chyba że są one bezpośrednio nadzorowane lub instruowane przez osobę odpowiedzialną za ich bezpieczeństwo.
4. Części grilla mogą mocno się nagrzewać i powodować poważne obrażenia. Podczas obsługi urządzenia dzieci oraz zwierzęta nie powinny znajdować się w pobliżu. Uważaj, by nie dotykać gorących powierzchni. Zawsze używaj rękawic termoodpornych, szczypec z długim uchwytem lub rękawic kuchennych, ponieważ grill może być bardzo gorący.
5. Nigdy nie używaj grilla bez zainstalowanej rynienki na tłuszcz pod paleniskiem. Bez niej gorący tłuszcz i części potraw będą skapywały na dół, powodując zagrożenie pożarowe.

## TLENEK WĘGLA („CICHY ZABÓJCA”)

Zawsze używaj urządzeń gazowych na zewnątrz w miejscu otwartym i dobrze wentylowanym, aby uniknąć wdychania toksycznych oparów powstających podczas spalania albo ulatniającego się gazu. Tlenek węgla jest bezbarwnym, bezwonny, pozbawionym smaku gazem wytwarzanym w wyniku spalania gazu, drewna, propanu, węgla drzewnego lub innego paliwa. Zmniejsza on zdolność krwi do transportu tlenu. Niski poziom tlenu we krwi może powodować bóle i zawroty głowy, osłabienie, nudności, wymioty, senność, omdlenie lub skutkować utratą przytomności bądź też śmiercią. Postępuj zgodnie z poniższymi wytycznymi, abyś Ty, Twoja rodzina i inne osoby nie uległy zatruciu w wyniku kontaktu z tym bezbarwnym, bezwonny gazem:

- Należy udać się do lekarza, jeżeli podczas gotowania lub przebywania w bliskiej odległości od urządzenia pojawią się objawy przeziębienia lub grypopodobne. Zatrucie tlenkiem węgla, które można łatwo pomylić z przeziębieniem lub grypą, często stwierdza się zbyt późno.
- Spożywanie alkoholu i zażywanie narkotyków nasila objawy zatrucia.

Tlenek węgla jest szczególnie toksyczny dla matki i dziecka na etapie ciąży, niemowląt, osób starszych, palaczy oraz osób z zaburzeniami krwi lub układu krążenia, takimi jak niedokrwistość lub choroby serca.

## STANDARDY BEZPIECZEŃSTWA

Stosownie do procedur i specyfikacji Conformaté Européenne (CE) urządzenia gazowe Pit Boss® Grills wykazują potwierdzoną w badaniach zgodność z normami i dyrektywami oraz spełniają wszystkie wymogi bezpieczeństwa, ochrony zdrowia i środowiska określone przez UE (Unię Europejską) i Europejski Obszar Gospodarczy (EOG).



	DOPŁYW CIEPŁA	LICZBA PALNIKÓW		TYPE OF BURNER	ROZMIAR WTRYSKU	RODZAJ I CIŚNIENIE GAZU	KRAJ UŻYTKOWANIA
		PALNIK PROSTY	PALNIK P				
<b>PB2BGD2</b>	7,63 KW G30 – 555 g/h G31 – 545 g/h	1	1	PALNIK PROSTY	0,8 mm	G30 pod ciśnieniem 28–30 mbar G31 pod ciśnieniem 37 mbar Mieszanka G30/G31 pod ciśnieniem 30 mbar	<b>I3+ (28-30/37) :</b> BE, CH, CY, CZ, ES, FR, GB, GR, IE, IT, LT, LU, LV, PT, SK, SI  <b>I3B/P (30) :</b> BE, CY, DK, EE, FR, GB, HU, IT, LT, NL, NO, SE, SI, SK, RO, HR, TR, BG, IS, LU, MT, FI  <b>I3B/P (37) :</b> PL  <b>I3B/P (50) :</b> AT, DE, SK, CH
<b>PB3BGD2</b>	10,5 KW G30 – 768 g/h G31 – 755 g/h	2	1		0,75 mm	Mieszanka G30/G31 pod ciśnieniem 37 mbar	
<b>PB4BGD2</b>	13,49 KW G30 – 982 g/h G31 – 964 g/h	3	1	PALNIK P	0,72 mm	Mieszanka G30/G31 pod ciśnieniem 50 mbar	
<b>PB5BGD2</b>	14,65 KW G30 – 1066 g/h G31 – 1047 g/h	5	0		1,02 mm	G30 pod ciśnieniem 28–30 mbar G31 pod ciśnieniem 37 mbar Mieszanka G30/G31 pod ciśnieniem 30 mbar	
					0,97 mm	Mieszanka G30/G31 pod ciśnieniem 37 mbar	
				0,93 mm	Mieszanka G30/G31 pod ciśnieniem 50 mbar		



## INFORMACJA O PRAWACH AUTORSKICH

Copyright 2021. Wszelkie prawa zastrzeżone. Żadna część niniejszej instrukcji nie może być powielana, przesyłana, przepisywana czy też zapisywana w systemach wyszukiwania, niezależnie od formy lub sposobu wykonania tego typu działań, bez wyraźnej zgody pisemnej

### DANSONS EUROPA

11 Rue Galvani Paryż, Francja 75017

### DANSONS NORTH AMERICA

3411 North 5th Avenue, Suite 500, Phoenix, AZ, USA 85013

### OBSŁUGA KLIENTA

[www.pitboss-grills.com](http://www.pitboss-grills.com)

## SPIS TREŚCI

Informacje dotyczące bezpieczeństwa .....	162
Podłączanie do źródła gazu	
Wymagania dotyczące butli gazowej .....	166
Podłączanie łącznika do rozgałęźnika .....	166
Podłączanie butli gazowej.....	167
Przygotowanie do użycia – sprawdzenie pod kątem występowania wycieków .....	168
Odłączanie butli gazowej .....	168
Instrukcjaż działania	
Środowisko płyty grillowej .....	169
Pierwsze użycie – wypalanie płyty grillowej.....	170
Rozpalanie grilla.....	170
Procedura ręcznego rozpalania .....	171
Wyłączanie płyty grillowej.....	171
Zdejmowanie płyty grillowej z wózka .....	172
Korzystanie z uchwyty na worek na śmieci.....	173
Pielęgnacja i konserwacja .....	174
Porady i wskazówki.....	175
Rozwiązywanie problemów .....	176
Części zamienne .....	177
Gwarancja .....	181

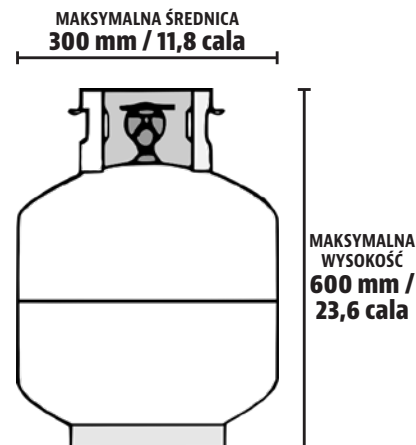
# PODŁĄCZANIE DO ŹRÓDŁA GAZU

## WYMAGANIA DOTYCZĄCE BUTLI GAZOWEJ

Do grilla potrzebna jest butla gazowa z gwintami zaworów umieszczonymi na zewnątrz i odpowiednio napełniona standardowym gazem do grillowania (G30/G31). Należy używać standardowego przewodu elastycznego nie dłuższego niż 1,5 m (59 cali). Po zainstalowaniu przewód powinien być widoczny na całej długości, aby umożliwić jego inspekcję.

Maksymalna średnica oraz maksymalna długość butli to 300 mm (11,8 cala) i 600 mm (23,6 cala), jak pokazano na ilustracji.

**UWAGA: Do bezpiecznej i wydajnej pracy grilla niezbędny jest odpowiedni regulator zgodny z normą EN16129 oraz butla. Używanie nieodpowiedniego lub wadliwego operatora jest niebezpieczne i spowoduje unieważnienie wszelkich gwarancji. Przewód należy sprawdzić na całej długości. W przypadku wykrycia nadmiernego wytarcia lub zużycia przewodu lub jeśli przewód jest przecięty, należy go wymienić przed rozpoczęciem korzystania z urządzenia.**



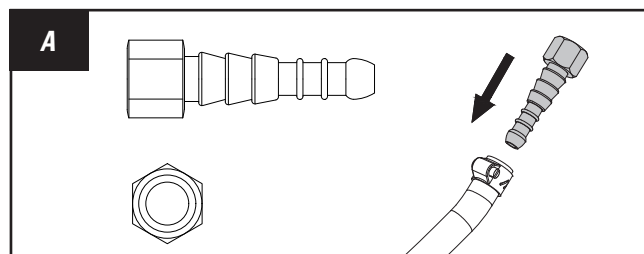
## IPODŁĄCZANIE ŁĄCZNIKA DO ROZGAŁĘŹNIKA

W różnych krajach i miejscach zakupu płyta grillowa nie zawsze jest dostarczana z dołączonym regulatorem. Jeśli regulator gazu nie jest zainstalowany fabrycznie, w komplecie dostarczany jest zestaw przejściowy rozgałęźnika. Z zestawu przejściowego wybierz łącznik odpowiedni dla rozgałęźnika i węża regulatora. Dla ułatwienia montażu łącznika unieś lub odłącz płytę grillową od wózka. Połóż ją spodem do góry na kawałku kartonu, by uniknąć zadrapań lub uszkodzeń.

- **ŁĄCZNIK A – STOŹKOWY**

Włóż stożkowy koniec łącznika w wąż regulatora i zamocuj ściśle za pomocą opaski zaciskowej.

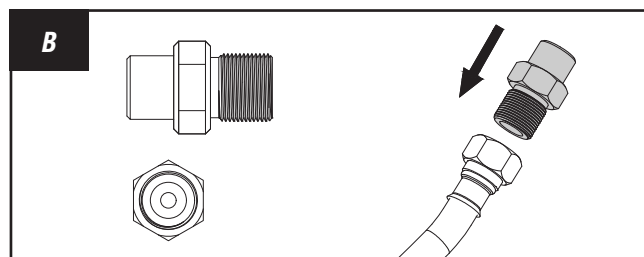
Patrz ilustracja A.



- **ŁĄCZNIK B – GWINTOWY**

Wkręć łącznik z gwintem zewnętrznym w końcówkę węża regulatora mającą gwint wewnętrzny. Dokręć do uzyskania ścisłego połączenia.

Patrz ilustracja B.



Przejdź do następnego kroku – podłączenia butli gazowej. Pozostaw płytę grillową zdjętą z wózka.

## PODŁĄCZANIE BUTLI GAZOWEJ

**WAŻNE:** jeśli rozgałęźnik wymaga łącznika, postępuj zgodnie z instrukcjami instalacji łącznika przed podłączeniem urządzenia do butli gazowej.

Przed podłączeniem upewnij się, że w głowicy butli gazowej, głowicy zaworu regulacyjnego oraz głowicy i otworach palnika nie znajdują się żadne zanieczyszczenia.

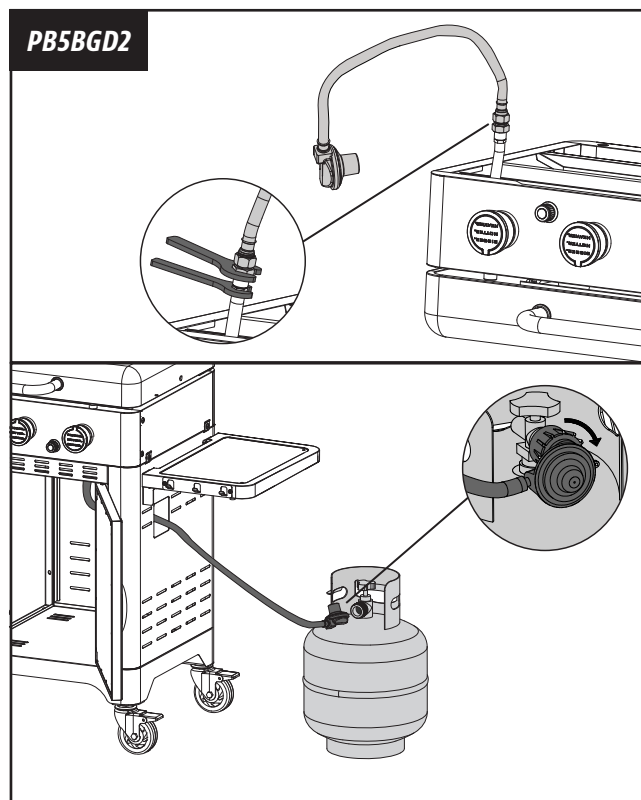
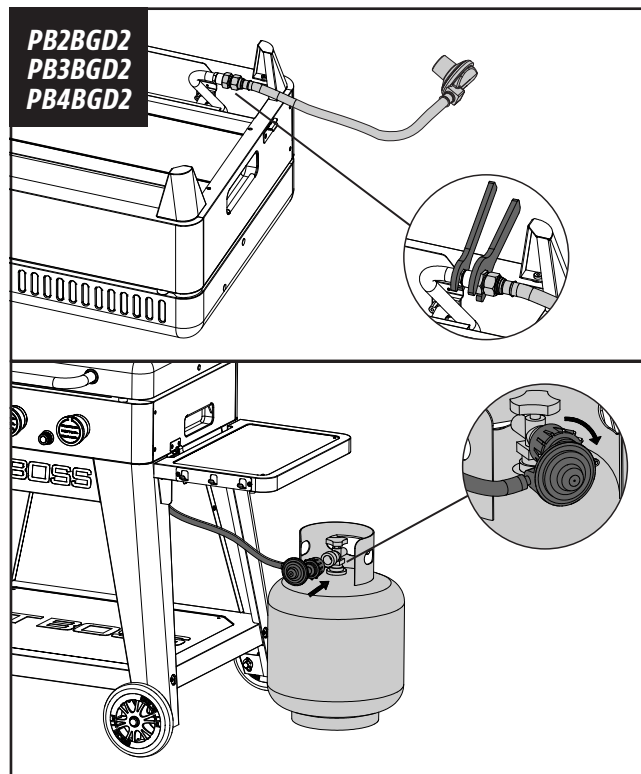
1. Jeśli regulator jest zamontowany fabrycznie, przejdź do następnego kroku.

Jeśli zainstalowany jest łącznik z zestawu przejściowego rozgałęźnika, pozostaw płytę grillową poza wózkem w celu montażu regulatora. Podłącz wąż regulatora do rozgałęźnika płyty grillowej, dokręcając połączenie kluczem. Po zamontowaniu regulatora i węża regulatora zamontuj płytę grillową z powrotem na wózku. Zadbaj, by wąż regulatora nie był w żaden sposób skręcony ani zaciśnięty, gdy płyta grillowa będzie znów umieszczona na wózku.

2. W przypadku płyty grillowej z szafką przełóż regulator i wąż regulatora przez otwór w prawej ścianie wózka.
3. Umieść butlę gazową obok wózka po jego prawej stronie. Upewnij się, że zawór butli gazowej jest w pozycji ZAMKNIĘTY (CLOSED). Ważne jest, by butla gazowa była ustawiona pionowo, bo jeśli butla gazowa nie jest właściwie wypoziomowana lub stoi na niestabilnym podłożu, użytkowanie płyty grillowej jest niebezpieczne.
4. Upewnij się, że pokrętła płyty grillowej są całkowicie zamknięte, obracając je zgodnie z ruchem wskazówek zegara do pozycji „0” (WYŁĄCZONE).
5. Zdejmij kołpaki ochronne z otworu zaworu regulatora i górnej części butli gazowej. Odłóż kołpaki w bezpieczne miejsce.
6. Umieść zawór butli gazowej w gwintowanym otworze zaworu regulatora. Obróć nakrętkę szybkozłącza w prawo do oporu. Dokręcaj wyłącznie ręcznie.
7. Butla gazowa jest zainstalowana. Wykonaj próbę szczelności.

**OSTRZEŻENIE:** jeśli poczujesz zapach gazu, zakręć butlę. Spróbuj ponownie podłączyć butlę gazową aby się upewnić, że wąż jest prawidłowo podłączony. Wykonaj próbę szczelności.

**UWAGA:** normalnemu przepływowi gazu przez regulator i zespół węża może towarzyszyć szum. Cichy szum jest całkowicie normalny i nie wiąże się z nieprawidłowym działaniem płyty. Jeśli szum jest nadmiernie głośny, może być konieczne odpowietrzenie przewodu gazowego lub zresetowanie urządzenia nadmiarowego przepływu gazu regulatora. Procedurę odpowietrzania powinno się wykonać po każdym podłączeniu nowej butli gazowej.



## PRZYGOTOWANIE DO UŻYCIA — SPRAWDZENIE POD KĄTEM WYSTĘPOWANIA WYCIEKÓW

Sprawdzenie pod kątem wycieków ma na celu potwierdzenie szczelności uszczelki. Przed rozpoczęciem korzystania z grilla gazowego należy sprawdzić połączenie pomiędzy regulatorem a butlą gazową pod kątem wycieku gazu w celu zmniejszenia ryzyka poważnych obrażeń ciała, a nawet śmierci w wyniku pożaru lub eksplozji. Sprawdzenie pod kątem wycieku powinno odbywać się co najmniej raz na sezon, a także w następujących sytuacjach:

- przed pierwszym rozpaleniem grilla;
- po każdej wymianie butli gazowej;
- po zakończeniu transportu (szczególnie, jeśli odbywał się on po nierównych drogach i wybojach);
- po długim okresie przechowywania lub braku korzystania z urządzenia.

### PROCEDURA KONTROLI POD KĄTEM WYCIEKU

#### Wymagane wyposażenie:

- 1 x Miska (*pusta, czysta*)
- 1 x Pędzel (*czysty*)
- Płyn do mycia naczyń
- Woda

#### Procedura:

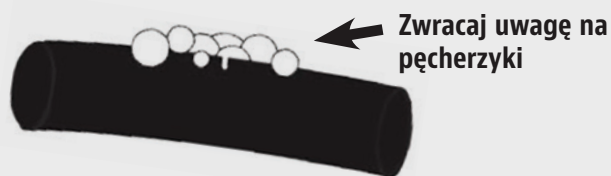
1. Ustaw grill w miejscu z dobrą wentylacją. Upewnij się, że grill jest chłodny w dotyku i nie jest w życiu. Upewnij się, że zawór regulatora znajduje się w położeniu OFF, a butla gazowa jest mocno przykręcona do regulatora.

**WAŻNE: Upewnij się, że w pobliżu nie ma żadnego otwartego płomienia ani osób palących.**

2. Wymieszaj w misce jedną część wody z jedną częścią płynu do mycia naczyń. Roztwór będzie się pienił, ponieważ jest mocno skoncentrowany.
3. Za pomocą pędzla nanieś roztwór na uszczelkę znajdującą się pomiędzy regulatorem a butlą gazową. Przeprowadź kontrolę wzrokową w celu wykrycia ewentualnych strumieni piany wydobywających się z uszkodzonej lub wadliwej uszczelki.

**UWAGA: W przypadku wystąpienia wycieku powtórz procedurę instalacji butli gazowej, zwracając przy tym uwagę, by nie przekręcić gwintu. Dokręcaj wyłącznie ręcznie. Po ponownej instalacji butli gazowej powtórz kontrolę pod kątem wycieków, by zyskać pewność, że połączenie jest szczelne.**

**WAŻNE: W przypadku wykrycia wycieku gazu, którego nie można wyeliminować poprzez przeprowadzenie procedury kontroli pod kątem wycieków, nie należy korzystać z grilla gazowego. W celu uzyskania informacji na temat innych środków ostrożności pozwalających sprawdzić szczelność połączenia skontaktuj się ze strażą pożarną lub z działem obsługi klienta.**



## ODŁĄCZANIE BUTLI GAZOWEJ

1. Upewnij się, że pokrętko sterowania grilla jest całkowicie zamknięte i znajduje się w położeniu OFF. Ustaw zawór butli gazowej w pozycji CLOSED i pozwól, by pokrętko regulatora wysunęło się na zewnątrz.
2. Obróć walec w lewo (ręcznie) w celu jego wyjęcia z utworu zaworu regulatora. Jeśli chcesz przechować butlę gazową, która nie jest jeszcze pusta, załóż kołpaki ochronne na otwór zaworu regulatora i górną część butli gazowej.

**WAŻNE: Hvis du lagrer grillen innendørs, skal gassylinderen være utendørs.**

**OSTRZEŻENIE: Nie należy transportować grilla z podłączoną butlą gazową. Butla może poluzować się przy zaworze i może wystąpić wyciek gazu, a w jego następstwie: wybuch, pożar lub poważne uszkodzenie ciała. Przed rozpoczęciem transportu lub przechowywania grilla należy odłączyć od niego butlę gazową. Jeśli zamierzasz przechowywać grill w zamkniętym pomieszczeniu, pamiętaj, by pozostawić butlę gazową na wolnym powietrzu.**



# INSTRUKCJA DZIAŁANIA

## ŚRODOWISKO PŁYTY GRILLOWEJ

### 1. GDZIE USTAWIĆ PŁYTĘ GRILLOWĄ

Tak jak w przypadku wszystkich urządzeń używanych na zewnątrz, warunki pogodowe w dużym stopniu wpływają na wydajność płyty grillowej i czas pieczenia konieczny do uzyskania pożądanego efektu. Wszystkie urządzenia Pit Boss® Grills wymagają zachowania podczas pracy urządzenia odstępu co najmniej 130 cm (50 cali) od materiałów palnych. Urządzenia nie można umieszczać pod łatwopalnym sufitem podwieszanym lub pod okapem dachu. Ustawiaj płytę grillową w miejscu wolnym od materiałów palnych, benzyny i innych łatwopalnych cieczy czy oparów.

### 2. GOTOWANIE PRZY NISKICH TEMPERATURACH OTOCZENIA

Chłodniejsza aura wcale nie oznacza końca sezonu grillowego! Rześkie, chłodne powietrze i niebiański aromat grillowanych potraw to świetne lekarstwo na zimową depresję. Skorzystaj z poniższych wskazówek, by korzystać z grilla w zimniejszych miesiącach:

- Przygotuj się — przed wyjściem na zewnątrz naszykuj w kuchni wszystko, co będzie potrzebne. W sezonie zimowym ustaw grill w miejscu osłoniętym od wiatru i przesywającego zimna. Dowiedz się, jakie są lokalnie obowiązujące przepisy dotyczące bliskości grilla od domu i/lub innych konstrukcji. Połóż na tacy wszystko, czego potrzebujesz, okryj się starannie i do roboty!
- Aby śledzić na bieżąco temperaturę na zewnątrz, umieść termometr zewnętrzny w bliskim położeniu od strefy gotowania. Prowadź dziennik lub sporządzaj notatki na temat przyrządzanych potraw, temperatury na zewnątrz i czasu gotowania. Będzie to pomocne w późniejszym ustaleniu, co warto gotować i jak długo to zajmuje.
- Przygotuj nagrany talerz lub pokrywkę na naczyniu, aby utrzymać jedzenie w ciepłe podczas przenoszenia go z powrotem do środka.

### 3. GOTOWANIE PRZY WYSOKICH TEMPERATURACH OTOCZENIA

Gdy powietrze na zewnątrz się ociepla, skraca się czas gotowania. Skorzystaj z tych kilku wskazówek, by korzystać z grilla w gorących miesiącach:


- Odpowiednio obniż temperatury grillowania. Pomaga to w unikaniu niepożądanych wybuchów ognia.
- Skorzystaj z termosondy do mięsa, aby sprawdzić temperaturę wewnątrz potrawy. Zapobiega to przepieczeniu i nadmiernemu wysuszeniu mięsa.
- Możesz utrzymać ciepło potraw, zawijając je w folię i umieszczając w szczelnym opakowaniu termicznym. Upchnij zgniecione gazety dookoła folii i w ten sposób przechowuj jedzenie w ciepłe od 3 do 4 godzin.

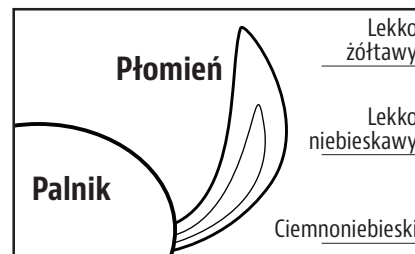


## PIERWSZE UŻYCIĘ – WYPALANIE PŁYTY GRILLOWEJ

Przed pierwszym użyciem płyty grillowej do przygotowania jedzenia należy koniecznie ją wypalić. Aby wypalić płytę grillową, uruchom ją i utrzymuj ogień na wysokim poziomie przez co najmniej 15 minut. W ten sposób „oczyszczysz termicznie” wewnętrzne elementy grilla i pozbędziesz się wszelkich zapachów i substancji obcych.

### ROZPALANIE GRILLA

1. Przed rozpaleniem otwórz pokrywę.
2. Ustaw wszystkie pokrętki w pozycji „0”.
3. Otwórz butlę / zawór gazu zgodnie z instrukcją obsługi zbiornika.
4. Naciśnij i obróć pokrętkę sterowania płomieniem w kierunku przeciwnym do ruchu wskazówek zegara do pozycji „ (rozpalanie)”.
5. Naciśnij przycisk zapalnika i przytrzymaj go do zapalenia się palnika.
6. Jeśli zapłon nie nastąpi w ciągu 5 sekund, przekręć zawór do pozycji „0”, odczekaj 5 minut i powtórz procedurę rozpalania. Po rozpaleniu obserwuj płomień palnika. Upewnij się, że wszystkie otwory palnika są zapalone, a wysokość płomienia odpowiada ukazanej na ilustracji.
7. Jeśli powyższe czynności nie dadzą pożądanego efektu, postępuj zgodnie z **procedurą ręcznego rozpalania**.



**Jeśli palnik zgaśnie podczas pracy, przekręć pokrętki do pozycji „0” (WYŁĄCZONE). Poczekaj 5 minut, aż nagromadzony gaz się ulotni, a następnie spróbuj ponownie rozpać.**

### PROCEDURA W PRZYPADKU AWARII ZAPALNIKA

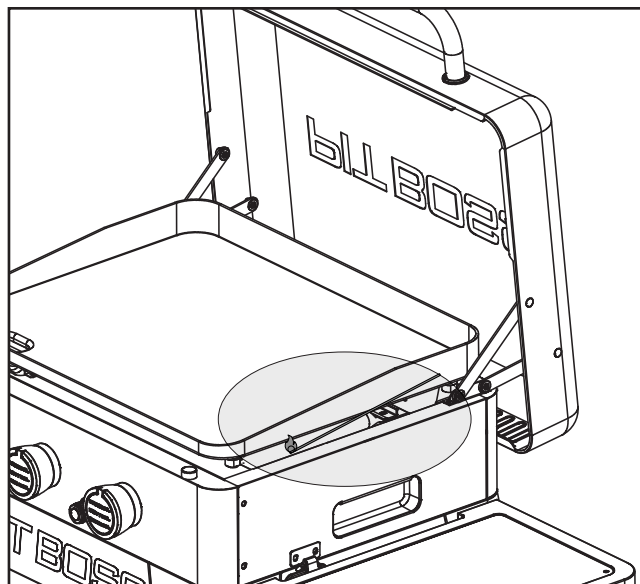
**Jeśli z jakiegoś powodu zapalnik przestanie działać po trzech lub czterech próbach, wykonaj poniższe działania lub uruchom grill metodą ręczną.**


1. Upewnij się, że wszystkie pokrętki regulacji znajdują się w pozycji OFF. Poczekaj aż cały nagromadzony gaz się ulotni.
2. Po pięciu minutach:
  - Przeprowadź kontrolę wzrokową, aby upewnić się, że zapalnik działa, naciskając jego przycisk i obserwując, czy z końcówki zapalnika uwalnia się iskra. W przypadku braku iskry zmień odległość pomiędzy zapalnikiem (elektrodą) i palnikiem na 4,5 mm (3/16 cala).
  - Potwierdź wzrokowo, że rura palnika ani otwory nie są zablokowane. Jeśli są one zablokowane, zastosuj się do instrukcji z sekcji Pielęgnacja i konserwacja.
3. Jeśli powyższe czynności nie przyniosą pożądanego skutku, zapoznaj się z instrukcjami z sekcji Rozwiązywanie problemów.

## PROCEDURA RĘCZNEGO ROZPALANIA

1. Przed rozpaleniem otwórz pokrywę.
2. Ustaw wszystkie pokręta w pozycji „0”.
3. Otwórz butlę / zawór gazu zgodnie z instrukcją obsługi zbiornika.
4. Szybko, lecz ostrożnie zapal palnik zapałką lub zapalniczką o długiej końcówce. Uzyskaj dostęp do palnika spod płyty grzejnej. Zbliź zapaloną zapałkę do boku palnika.

**UWAGA: nie próbuj zapalać palnika w innym miejscu. Może to doprowadzić do urazu.**



5. Naciśnij i obróć pokrętło sterowania płomieniem w kierunku przeciwnym do ruchu wskazówek zegara do pozycji „ (rozpalanie)” i przytrzymaj je przez 10 sekund do zapalenia się palnika. Do momentu zwolnienia pokrętła powinny być słyszalne trzaski iskry.

**UWAGA: nie używaj spirytusu, benzyny do zapalniczek ani nafty do rozpalania lub podsycania ognia pod płytą grillową.**

6. Jeśli palnik nie zapali się w ciągu 5 sekund, przekręć pokrętło palnika do pozycji „0”, odczekaj 5 minut i powtórz procedurę rozpalania. Po rozpaleniu obserwuj płomień palnika. Upewnij się, że wszystkie otwory palnika są zapalone, a wysokość płomienia odpowiada ukazanej na wcześniejszej ilustracji.

**UWAGA: każdy palnik zapala się niezależnie – powtórz te same czynności dla pozostałych palników.**

**OSTRZEŻENIE: nie pochylaj się nad obszarem grzejnym podczas rozpalania płyty grillowej. Podczas rozpalania płyty grillowej za pomocą zapałek nie zbliżaj twarzy ani innych części ciała na odległość mniejszą od bezpiecznej (co najmniej 45 cm / 18 cali) od rusztu.**

7. Jeśli powyższe czynności nie dadzą pożądanego efektu, zajrzyj do rozdziału *Rozwiązywanie problemów*.

## WYŁĄCZANIE PŁYTY GRILLOWEJ

1. Po zakończeniu pieczenia przekręć zawór butli gazowej do pozycji ZAMKNIĘTY (CLOSED) tak, by pokrętło regulatora odskoczyło. To zabezpieczenie powoduje zablokowanie pokrętła regulatora, tak aby gaz przestał płynąć.
2. Ustaw pokręta w pozycji „0”.

**UWAGA: gdy w butli skończy się gaz, towarzyszy temu charakterystyczny dźwięk – to normalne zjawisko.**

3. Odłącz dopływ gazu, postępując według *instrukcji odłączania butli gazowej*.

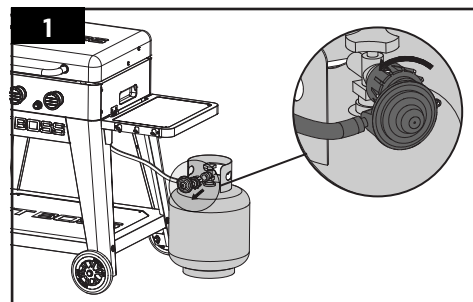
**OSTRZEŻENIE: przed przenoszeniem, podróżą lub przechowywaniem poczekaj, aż płyta grillowa całkowicie ostygnie i wyjmij butlę gazową.**

## ZDEJMOWANIE PŁYTY GRILLOWEJ Z WÓZKA

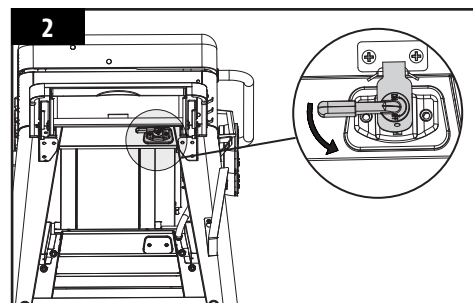
Płyty grillowe PB2BPGG, PB3BPGG i PB4BPGG można łatwo i szybko zdjąć z wózka np. w celu przewożenia samochodem lub piknikowania. Wystarczy postępować zgodnie z instrukcją montażu, ale w odwrotnej kolejności, lub według poniższej krótkiej procedury:

**WAŻNE: upewnij się, że grillowa całkowicie ostygła i jest odłączona od źródła gazu oraz że został wyjęty pojemnik na tłuszcz.**

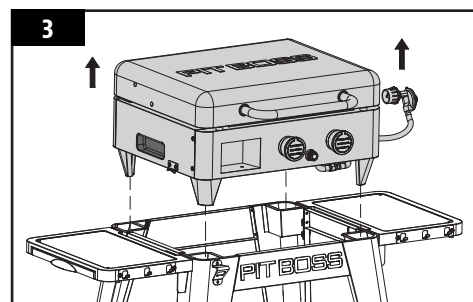
1. Odłącz urządzenie od źródła gazu. Odłącz zespół regulatora ciśnienia od zaworu butli, obracając nakrętkę szybkozłacza w kierunku przeciwnym do ruchu wskazówek zegara.



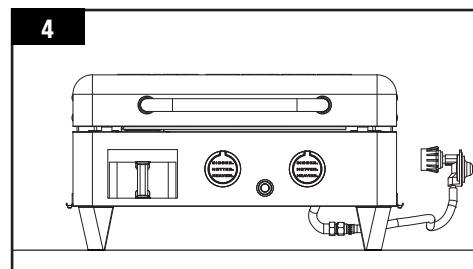
2. Przekręć zatrzaski blokujące palenisko na wózku (po jednym z każdej strony).



3. Przy pomocy drugiej osoby ostrożnie podnieś płytę grillową z wózka, korzystając z zagłębień po obu stronach. Podczas podnoszenia uważaj na regulator i wąż.



4. Niezwłocznie połóż palenisko na ziemi lub w innym wybranym miejscu, by uniknąć obrażeń ciała lub uszkodzenia urządzenia.

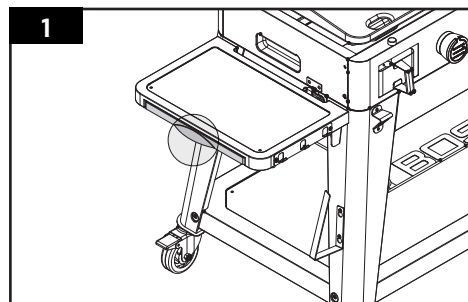


## KORZYSTANIE Z UCHWYTU NA WREK NA ŚMIECI

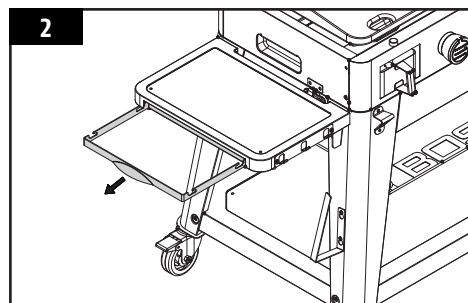
Uchwyt na worek na śmieci bardzo ułatwia zbieranie odpadów. Łatwa do czyszczenia ramka ze stali nierdzewnej pod lewą półką boczną pozwala korzystać z typowych plastikowych toreb na zakupy o pojemności około 10–20 litrów (2,5–5 galonów). Ramka umożliwia również mocowanie typowych worków na śmieci (z uchwytami lub bez) o pojemności do 60 litrów (16 galonów).

**WAŻNE: zwracaj uwagę na obciążenie uchwytu na worek na śmieci. Często zmieniaj worek, ab uniknąć uszkodzenia konstrukcji i elementów uchwytu.**

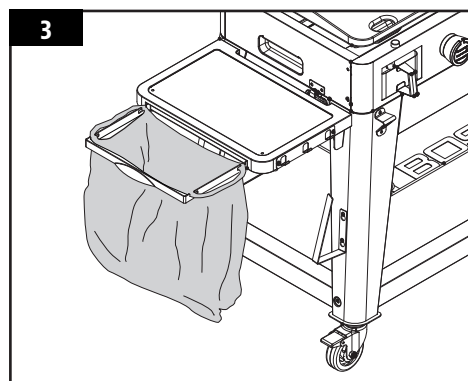
1. Znajdź rączkę uchwytu na worek na śmieci na lewej półce bocznej.



2. Wyciągnij uchwyt na worek na śmieci, by odstąpić wsporniki ramy.



3. Załóż na uchwyt na worek na śmieci plastikową torbę na zakupy lub standardowy worek na śmieci. Okręć uchwyty torby na zakupy wokół wsporników ramy lub owiń worek na śmieci z trzech stron ramy, by zamocować go na miejscu.



# PIELĘGNACJA I KONSERWACJA

## SPRAWDZANIE POZIOMU GAZU

Aby sprawdzić, ile gazu zostało w butli, grill musi być włączony. Umieść dłoń na górze butli i powoli przesuń ją w dół, aż poczujesz chłód. Granica chłodu wskazuje w przybliżeniu, ile gazu zostało w butli. Jeśli jest ona w  $\frac{3}{4}$  pusta, wymieć butlę na pełną.

**WAŻNE: Nie używaj w grillu brykietów węgla drzewnego ani żadnego innego materiału palnego. Użycie takich materiałów spowoduje unieważnienie gwarancji i może doprowadzić do pożaru, wybuchu i obrażeń ciała.**

## CZĘSTOTLIWOŚĆ CZYSZCZENIA

Zakup urządzenia Pit Boss® zapewnia możliwość wieloletniego gotowania pełnego smaku przy minimalnym wkładzie w czyszczenie. Zadbaj o stan swojego grilla, korzystając z poniższych wskazówek dotyczących czyszczenia i konserwacji:

### 1. ELEMENTY PALNIKA

- Palnik należy oczyścić za każdym razem, gdy jest silnie zabrudzony, tak aby nie dopuścić do zapchania się przewodu ani otworów palnika (przez zanieczyszczenia, owady itp.). W przewodach nieużywanego grilla pająki i drobne owady mogą budować gniazda, pajęczyny i składać jaja, co może utrudniać przepływ gazu. Zapchany przewód może być przyczyną pożaru pod urządzeniem. Kiedy grill jest magazynowany lub nieużywany przez dłuższy czas, należy wyjąć palnik i owinąć go folią aluminiową, aby zmniejszyć ryzyko dostania się do środka owadów.
- Palnik został wstępnie ustawiony pod kątem optymalnej wydajności płomienia. Kiedy płomień jest niebieski płomień, ewentualnie z odrobiną żółtego na czubku, to znaczy, że powietrze prawidłowo miesza się z gazem. Gdy płomień jest nadmiernie żółty, pomarańczowy lub nieregularny, należy oczyścić powierzchnię palnika i otwory w celu zwiększenia przepływu powietrza.

### 2. ELEMENTACH DO GOTOWANIA

- Płyta grzejna Twojej patelni jest pokryta ceramiką. Najlepsze przybory do gotowania to drewno, silikon lub nylon, ponieważ materiały te zmniejszają zużycie powierzchni do gotowania.
- Urządzenie jest fabrycznie wysezonowane, ale ważne jest, aby po każdym użyciu wyczyścić i doprawić płytę grzejną, aby zapobiec rdzewieniu, przedłużyć żywotność patelni i stworzyć nieprzywierającą powierzchnię do gotowania. Przyprawianie patelni to proces ciągły, który należy powtarzać przez cały okres użytkowania patelni, aby zapewnić najlepsze wrażenia podczas gotowania i najdłuższy okres użytkowania.
  1. Wyczyść płytę grzejną po każdym użyciu za pomocą szpatułki lub skrobaczki, aby usunąć wszelkie jedzenie i zanieczyszczenia.
  2. Obficie nałóż równomierną warstwę oleju kuchennego na powierzchnię do gotowania. Oleje roślinne, oliwkowe, arachidowe, kokosowe i sezamowe nadają się do przyprawiania patelni.
  3. Pozostawić do ostygnięcia w chłodnym, suchym miejscu.

### 3. ZEWNĘTRZNE CZĘŚCI GRILLA

- Wszystkie śruby i nakrętki należy regularnie sprawdzać. W razie potrzeby należy je dokręcać.
- Zamykaj pokrywę grilla, aby zapewnić jego pełną ochronę! Pokrywa to najlepsze zabezpieczenie przed niekorzystnymi warunkami atmosferycznymi i zanieczyszczeniami. Gdy urządzenie nie jest używane lub ma być przez długi czas przechowywane, trzymaj je pod przykryciem w garażu lub w szopie po wyjęciu butli gazowej (należy ją przechowywać na zewnątrz).

## HARMONOGRAM CZYSZCZENIA (REGULARNE UŻYTKOWANIE)

ELEMENT	CZĘSTOTLIWOŚĆ CZYSZCZENIA	METODA CZYSZCZENIA
Płyta grzejna	Po każdym użyciu	Wypalanie resztek, zmywaczek i woda z mydłem, przetarcie olejem roślinnym
Taca na tłuszcz	Po każdym użyciu	Opróżnienie tacy, zmywaczek i woda z mydłem
Przewody i otwory palnika	Co 5–6 użyć	Starcie kurzu, zmywaczek i woda z mydłem
Palniki	Co 5–6 użyć	Zmywaczek i woda z mydłem
Wózek	Kiedy trzeba	Miękka ściereczka i woda z mydłem

## PORADY I WSKAZÓWKI

Aby dowiedzieć się więcej o swoim grillu, zapoznaj się z udostępnionymi przez właścicieli Pit Boss®, naszych pracowników oraz klientów takich jak Ty pomocnymi poradami i wskazówkami:

### 1. BEZPIECZEŃSTWO ŻYWNOSCI

- Po obróbce termicznej używaj innych talerzy i przyborów niż te, które posłużyły do przygotowania lub przeniesienia surowego mięsa na grill. Zapobiegnie to krzyżowemu zanieczyszczeniu bakteriami. Wszystkie marynaty lub sosy do pieczenia powinny mieć osobne naczynia.
- Trzymaj ciepłe potrawy w wysokiej temperaturze (powyżej 60°C / 140°F), a zimne w temperaturze niskiej (poniżej 3°C / 37°F). Gotowe potrawy nie powinny być przechowywane w ciepłe dłużej niż godzinę. Nie pozostawiaj ciepłego jedzenia poza lodówką przez czas dłuższy niż dwie godziny.
- Marynata nigdy nie powinna być pozostawiana do późniejszego wykorzystania. Jeśli planujesz podawać ją do przyrządzonego mięsa, pamiętaj, aby wcześniej ją zagotować.
- Rozmrażaj i marynuj mięso w warunkach chłodniczych. Nie rozmrażaj mięsa w temperaturze pokojowej lub na blacie. W ciepłej i wilgotnej żywności bakterie mogą się szybko rozrastać i namnażać. Przed rozpoczęciem przygotowywania posiłku i po kontakcie z surowym mięsem, rybami i drobiem dokładnie umyj ręce gorącą wodą z mydłem.

### 2. PRZYGOTOWANIE DO GOTOWANIA

- Bądź w gotowości lub **Mise en Place**. Oznacza to naszykowanie przed rozpoczęciem gotowania przepisu, paliwa, akcesoriów, naczyń i wszystkich składników, które będą potrzebne przy grillu. Przeczytaj także cały przepis, od początku do końca, jeszcze przed rozpaleniem grilla.
- Bardzo przydatna jest mata podłogowa pod grill. Ze względu na możliwe wypadki związane z obróbką żywności i rozpryskami podczas gotowania mata podłogowa pod grill chroniłaby taras, patio lub kamienną powierzchnię przed plamami z tłuszczu lub przypadkowym rozlaniem.

### 3. PORADY I WSKAZÓWKI DOTYCZĄCE GRILLOWANIA

- Zawsze korzystaj z termosondy do mięsa, aby kontrolować temperaturę przyrządzanej potrawy. Dobrym pomysłem jest trzymanie gotowych potraw na podgrzanych talerzach, aby nie traciły ciepła. Czerwone mięso, takie jak steki i pieczenie, dużo zyskuje na kilkuminutowym odpoczynku przed podaniem. Umożliwia to sokom, które wypłynęły pod wpływem temperatury, ponownie wnikać do mięsa i nadać mu więcej smaku.
- Sosy na bazie cukru najlepiej nakładać pod koniec przyrządzania potrawy, aby zapobiec przypaleniom i wybuchom ognia.
- Do obracania mięsa używaj szczypiec z długim uchwytem, a do burgerów i ryb szpatułki. Użycie do mięsa ostrego przyrządu, takiego jak widelec, spowoduje jego przekłucie i utratę soczystości.

# ROZWIĄZYWANIE PROBLEMÓW

Właściwe czyszczenie i konserwacja zapobiega występowaniu typowych problemów z działaniem urządzenia. W przypadku, gdy grill nie działa prawidłowo lub jest rzadko użytkowany, pomocne mogą okazać się poniższe wskazówki dotyczące rozwiązywania problemów. Odpowiedzi na najczęściej zadawane pytania (FAQ) znajdziesz pod adresem [www.pitboss-grills.com](http://www.pitboss-grills.com). W celu uzyskania pomocy możesz się także skontaktować z działem obsługi klienta.

**OSTRZEŻENIE: Zawsze upewnij się, że grill jest całkowicie ostudzony, aby uniknąć obrażeń.**

PROBLEM	PRZYCZYNA	ROZWIĄZANIE
Palnik nie rozpala się	Przewód zapłonowy jest uszkodzony	Skontaktuj się z działem obsługi klienta w celu uzyskania pomocy lub w sprawie wymiany elementu.
	Brak iskry zapalnika na elektrodzie	Wyreguluj elektrodę. Skontaktuj się z działem obsługi klienta w celu uzyskania pomocy lub w sprawie wymiany elementu.
	Brak dopływu gazu	Sprawdź zawór regulatora. Sprawdź połączenie pod kątem wycieku.
Zapalanie się tłuszczu / częste wybuchy ognia	Grillowanie tłustego mięsa	Grilluj tłuste mięsa, gdy powierzchnia do gotowania jest zimna, a pokrętła ustawione w położeniu LOW.
	Temperatura gotowania	Przyrządzaj potrawy w niższej temperaturze. Tłuszcz ma określoną temperaturę zapłonu. Utrzymuj temperaturę poniżej 176°C / 350°F, gdy gotujesz z użyciem dużej ilości tłuszczu.
	Rozprysk wody na płomienie	Nie przyskaj wodą w płomienie.
Palnik gaśnie	Brak przepływu gazu	Sprawdź połączenie z butlą gazową i upewnij się, że jest odkręcona. Wymieć butlę gazową, jeśli jest pusta.
	Silny lub porywisty wiatr	Ustaw przód grilla tyłem od wiatru lub zwiększ wysokość płomienia.
Niska temperatura przy ustawieniu HIGH	Otwory palnika są zablokowane	Udroźnij otwory.
	Butla gazowa jest pusta	Napełnij butlę gazową.
Wyciek gazu	Nieprawidłowy montaż	Ustaw zawór regulatora w pozycji OFF i pozwól, by pokrętło regulatora wysunęło się na zewnątrz. Wyjmij butlę gazową. Zainstaluj ponownie i zaciśnij. Wykonaj próbę szczelności, aby upewnić się, że gaz się nie ulatnia. Wymieć butlę gazową, jeśli jest uszkodzona.
	Uszkodzenie uszczelki	Butla gazowa jest skorodowana, zardzewiała lub była źle używana. Wymieć butlę gazową.
	Usterka regulatora	Konieczna jest wymiana regulatora. Skontaktuj się z działem obsługi klienta w sprawie wymiany elementu.
Płomienie palnika mają kolor żółty lub pomarańczowy	Słaby przepływ powietrza	Sprawdź, czy w przewodzie i otworach palnika nie ma pajęczyn lub innych niedrożności. Zastosuj się do wskazówek pielęgnacji i konserwacji, aby oczyścić przewód palnika.
	Niedrożny palnik	
	Taca na tłuszcz jest pełna lub przepełniona	Opróżnij tacę na tłuszcz i włóż ją ponownie. Zastosuj się do wskazówek pielęgnacji i konserwacji.
	Zawór regulatora znajduje się w położeniu OFF	Sprawdź połączenie zaworu regulatora z butlą gazową. Wyjmij butlę i załóż ją ponownie. Wykonaj próbę szczelności.
	Palnik jest brudny	Ustaw pokrętło regulatora w położeniu HIGH na pięć minut celem wypalenia urządzenia. Zastosuj się do wskazówek pielęgnacji i konserwacji.

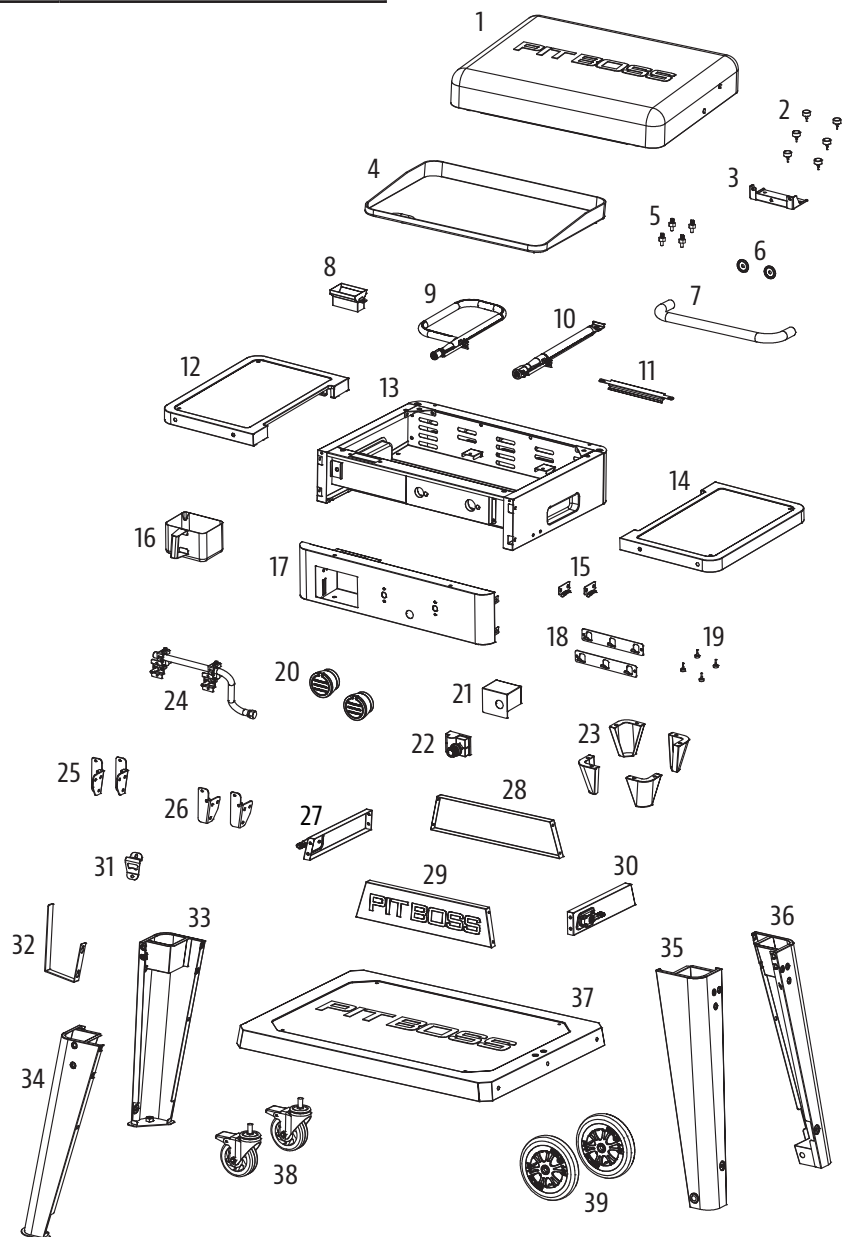


# CZĘŚCI ZAMIENNE

## PB2BGD2

Części	Opis
1	Pokrywa (x1)
2	Gumowe elementy wspornika pokrywy (x6)
3	Wspornik pokrywy (x1)
4	Płyta grzejna (x1)
5	Śruby nóżek płyty grzejnej (x4)
6	Zaślepka uchwyty pokrywy (x2)
7	Uchwyt pokrywy (x1)
8	Odptyw tłuszczu (x1)
9	Palnik P (x1)
10	Palnik prawy (x1)
11	Łącznik palników (x1)
12	Półka boczna - lewa (x1)
13	Zespół paleniska (x1)
14	Półka boczna - prawa (x1)
15	Zaczep zatrzasku (x2)
16	Pojemnik na tłuszcz (x1)
17	Panel sterowania paleniska (x1)
18	Listwa wieszaków półki bocznej (x2)
19	Element gumowy półki bocznej (x4)
20	Pokrętło (x2)
21	Ośłona cieplna zapalnika (x1)
22	Zapalnik (x1)
23	Nóżki paleniska (x4)
24	Zespół zaworu (x1)
25	Wspornik półki bocznej - lewy (x2)
26	Wspornik półki bocznej - prawy (x2)
27	Boczny panel wózka - lewy (x1)
28	Tyłny panel wózka (x1)
29	Przedni panel wózka (x1)
30	Boczny panel wózka - prawy (x1)
31	Otwieracz do butelek (x1)
32	Wieszak na ręczniki papierowe (x1)
33	Noga podpierająca kółka samonastawnego - tył (x1)
34	Noga podpierająca kółka samonastawnego - przód (x1)
35	Noga podpierająca kółka - przód (x1)
36	Noga podpierająca kółka - tył (x1)
37	Półka dolna (x1)
38	Kółko samonastawne z blokadą (x2)
39	Kółko (x2)

Części	Opis
A	Śruba (x37)
B	Podkładka (x16)
C	Podkładka zabezpieczająca (x16)
D	Śruba (x4)
E	Zawlecзка do koła (x2)
F	Podkładka do koła (x2)
G	Sworzeń zwrotnicy do koła (x2)
H	Bateria (x1)



UWAGA: Ze względu na nieustanny rozwój produktu jego części mogą zostać zmienione bez uprzedzenia.  
Skontaktuj się z działem obsługi klienta, jeżeli zauważysz brak części podczas montażu urządzenia.

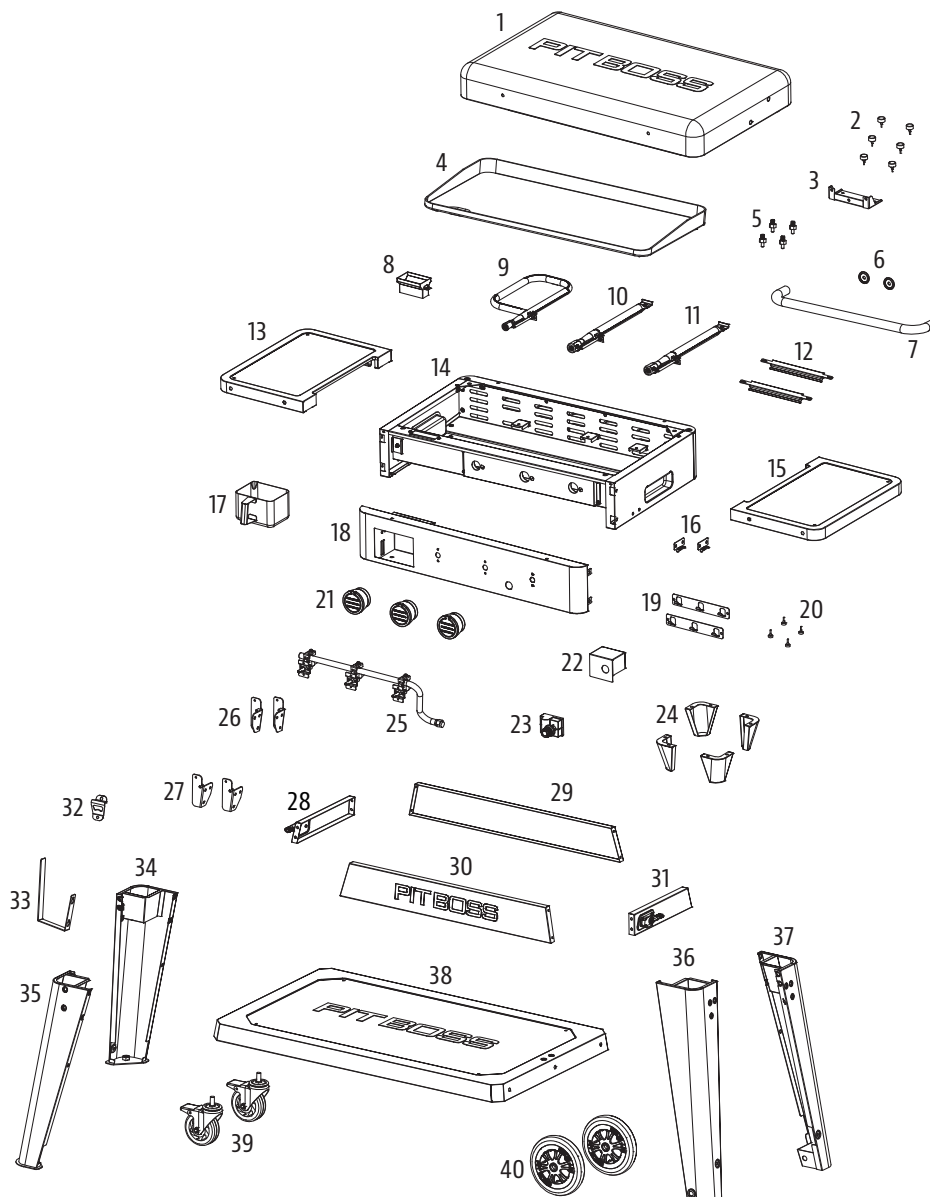
PL

POLSKIE

## PB3BGD2

Części	Opis
1	Pokrywa (x1)
2	Gumowe elementy wspornika pokrywy (x6)
3	Wspornik pokrywy (x1)
4	Płyta grzejna (x1)
5	Śruby nożek płyty grzejnej (x4)
6	Zaślepka uchwyty pokrywy (x2)
7	Uchwyt pokrywy (x1)
8	Odpływ tłuszczu (x1)
9	Palnik P (x1)
10	Palnik środkowy (x1)
11	Palnik prawy (x1)
12	Łącznik palników (x2)
13	Półka boczna - lewa (x1)
14	Zespół paleniska (x1)
15	Półka boczna - prawa (x1)
16	Zaczep zatrząsku (x2)
17	Pojemnik na tłuszcz (x1)
18	Panel sterowania paleniska (x1)
19	Listwa wieszaków półki bocznej (x2)
20	Element gumowy półki bocznej (x4)
21	Pokrętko (x3)
22	Ośłona cieplna zapalnika (x1)
23	Zapalnik (x1)
24	Nóżki paleniska (x4)
25	Zespół zaworu (x1)
26	Wspornik półki bocznej - lewy (x2)
27	Wspornik półki bocznej - prawy (x2)
28	Boczny panel wózka - lewy (x1)
29	Tyłny panel wózka (x1)
30	Przedni panel wózka (x1)
31	Boczny panel wózka - prawy (x1)
32	Otwieracz do butelek (x1)
33	Wieszak na ręczniki papierowe (x1)
34	Noga podpierająca kółka samonastawnego - tył (x1)
35	Noga podpierająca kółka samonastawnego - przód (x1)
36	Noga podpierająca kółka - przód (x1)
37	Noga podpierająca kółka - tył (x1)
38	Półka dolna (x1)
39	Kółko samonastawne z blokadą (x2)
40	Kółko (x2)

Części	Opis
A	Śruba (x37)
B	Podkładka (x16)
C	Podkładka zabezpieczająca (x16)
D	Śruba (x4)
E	Zawlecza do koła (x2)
F	Podkładka do koła (x2)
G	Sworzeń zwrotnicy do koła (x2)
H	Bateria (x1)

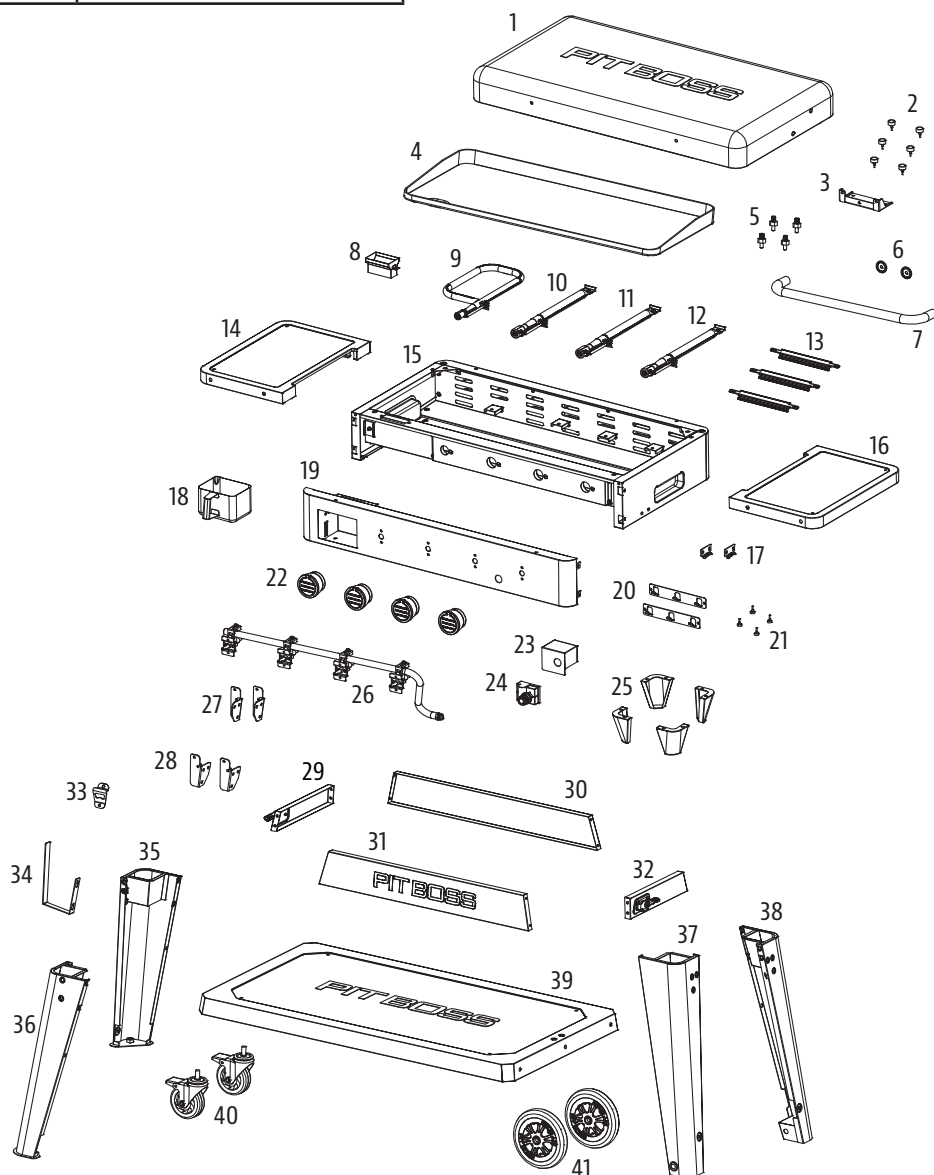


UWAGA: Ze względu na nieustanny rozwój produktu jego części mogą zostać zmienione bez uprzedzenia.  
Skontaktuj się z działem obsługi klienta, jeżeli zauważysz brak części podczas montażu urządzenia.

## PB4BGD2

Części	Opis
1	Pokrywa (x1)
2	Gumowe elementy wspornika pokrywy (x6)
3	Wspornik pokrywy (x1)
4	Płyta grzejna (x1)
5	Śruby nóżek płyty grzejnej (x4)
6	Zaślepka uchwyty pokrywy (x2)
7	Uchwyt pokrywy (x1)
8	Odptyw tłuszczu (x1)
9	Palnik P (x1)
10	Palnik lewy (x1)
11	Palnik środkowy (x1)
12	Palnik prawy (x1)
13	Łącznik palników (x3)
14	Półka boczna – lewa (x1)
15	Zespół paleniska (x1)
16	Półka boczna – prawa (x1)
17	Zaczep zatrzasku (x2)
18	Pojemnik na tłuszcz (x1)
19	Panel sterowania paleniska (x1)
20	Listwa wieszaków półki bocznej (x2)
21	Element gumowy półki bocznej (x4)
22	Pokrętło (x4)
23	Ośłona cieplna zapalnika (x1)
24	Zapalnik (x1)
25	Nóżki paleniska (x4)
26	Zespół zaworu (x1)
27	Wspornik półki bocznej – lewy (x2)
28	Wspornik półki bocznej – prawy (x2)
29	Boczny panel wózka – lewy (x1)
30	Tyłny panel wózka (x1)
31	Przedni panel wózka (x1)
32	Boczny panel wózka – prawy (x1)
33	Otwieracz do butelek (x1)
34	Wieszak na ręczniki papierowe (x1)
35	Noga podpierająca kółka samonastawnego – tył (x1)
36	Noga podpierająca kółka samonastawnego – przód (x1)
37	Noga podpierająca kółka – przód (x1)
38	Noga podpierająca kółka – tył (x1)
39	Półka dolna (x1)
40	Kółko samonastawne z blokadą (x2)
41	Kółko (x2)

Części	Opis
A	Śruba (x37)
B	Podkładka (x16)
C	Podkładka zabezpieczająca (x16)
D	Śruba (x4)
E	Zawlecзка do koła (x2)
F	Podkładka do koła (x2)
G	Sworzeń zwrotnicy do koła (x2)
H	Bateria (x1)

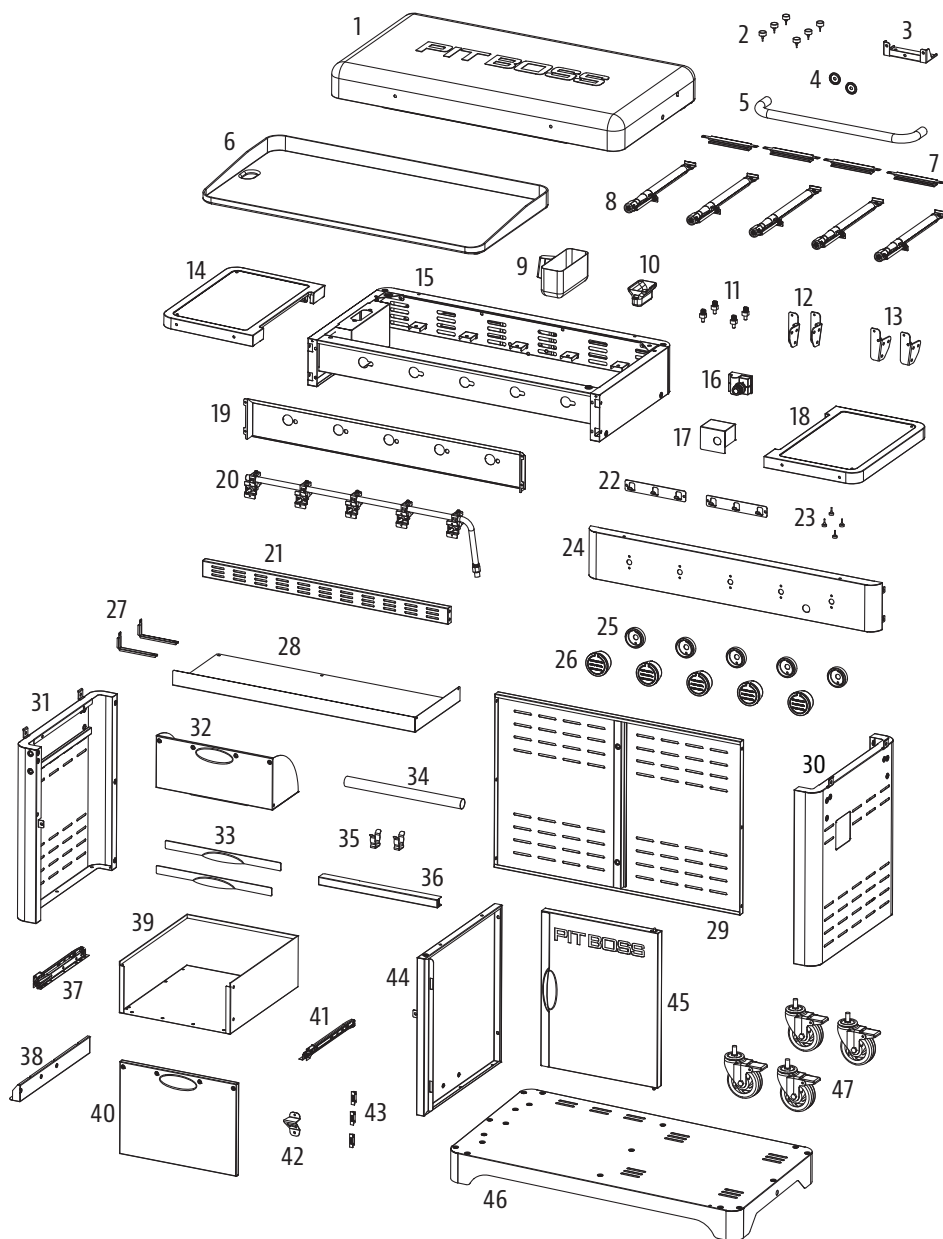


UWAGA: Ze względu na nieustanny rozwój produktu jego części mogą zostać zmienione bez uprzedzenia.  
Skontaktuj się z działem obsługi klienta, jeżeli zauważysz brak części podczas montażu urządzenia.

## PB5BGD2

Części	Opis
1	Pokrywa (x1)
2	Gumowe elementy wspornika pokrywy (x6)
3	Wspornik pokrywy (x1)
4	Zaślepka uchwyty pokrywy (x2)
5	Uchwyt pokrywy (x1)
6	Płyta grzejna (x1)
7	Łącznik palników (x4)
8	Palnik (x5)
9	Pojemnik na tłuszcz (x1)
10	Odpływ tłuszczu (x1)
11	Śruby nożek płyty grzejnej (x4)
12	Wspornik półki bocznej - lewy (x2)
13	Wspornik półki bocznej - prawy (x2)
14	Półka boczna - lewa (x1)
15	Zespół paleniska (x1)
16	Zapalnik (x1)
17	Ostona ciepła zapalnika (x1)
18	Półka boczna - prawa (x1)
19	Przednia ostona ciepła (x1)
20	Zespół zaworu (x1)
21	Przedni panel wózka (x1)
22	Listwa wieszaków półki bocznej (x2)
23	Element gumowy półki bocznej (x4)
24	Panel sterowania paleniska (x1)
25	Podstawa pokręta (x5)
26	Pokręto (x5)
27	Wspornik ostony ciepłej (x2)
28	Panel ostony ciepłej (x1)
29	Tyłny panel wózka (x1)
30	Boczny panel wózka - prawy (x1)
31	Boczny panel wózka - lewy (x1)
32	Szuflada uchylna (x1)
33	Uchwyt szuflady (x2)
34	Wieszak na ręczniki papierowe (x1)
35	Ogranicznik (x2)
36	Listwa wsporcza szuflady (x1)
37	Prowadnica szuflady - lewa (x1)
38	Wspornik prowadnicy (x1)
39	Szuflada (x1)
40	Front szuflady (x1)
41	Prowadnica szuflady - prawa (x1)
42	Otwieracz do butelek (x1)
43	Zamek magnetyczny (x3)
44	Przegroda wózka (x1)
45	Drzwiczki szafki (x1)
46	Spód wózka (x1)
47	Kółko samonastawne z blokadą (x4)

Części	Opis
A	Śruba (x54)
B	Śruba (x2)
C	Podkładka zabezpieczająca (x14)
D	Podkładka (x14)
E	Śruba (x14)
F	Śruba (x6)
G	Bateria (x1)



UWAGA: Ze względu na nieustanny rozwój produktu jego części mogą zostać zmienione bez uprzedzenia. Skontaktuj się z działem obsługi Klienta, jeżeli zauważysz brak części podczas montażu urządzenia.

# GWARANCJA

## WARUNKI

Wszystkie gazowe płyty grillowe Pit Boss® Grills produkowane przez Dansons objęte są ograniczoną gwarancją od daty sprzedaży pierwszemu właścicielowi. Okres gwarancji rozpoczyna się w dniu pierwszego zakupu i do potwierdzenia ważności gwarancji wymagane jest zaświadczenie o dacie zakupu lub kopia oryginalnego paragonu. Klienci będą zobowiązani uiścić opłaty za części, wysyłkę i obsługę, jeśli nie będą w stanie przedstawić dowodu zakupu lub jeśli upłynie okres gwarancji. Dansons udziela na wszystkie części dwuletniej gwarancji w przypadku wad materiałowych i produkcyjnych. Dansons gwarantuje, że przez cały okres użytkowania urządzenia i dysponowania nim przez pierwszego nabywcę, wszystkie części urządzenia będą wolne od wad materiałowych i wykonawczych. Gwarancja nie obejmuje uszkodzeń spowodowanych zużyciem, w tym zarysowań, wgnieceń, wygięć, odprysków lub drobnych pęknięć. Takie zmiany estetyczne nie wpływają na działanie płyty grillowej. Naprawa lub wymiana jakiegokolwiek części nie wykracza poza okres ograniczonej gwarancji, obowiązującej dwa (2) lata od daty zakupu.

W okresie obowiązywania gwarancji wyłącznym obowiązkiem firmy Dansons będzie dostarczanie zamienników wadliwych i/lub uszkodzonych komponentów. Firma Dansons nie będzie pobierać opłat za naprawę lub wymianę zwracanych części i opłacony z góry fracht, pod warunkiem, że gwarancja nadal będzie obowiązywać i Dansons uzna te części za wadliwe na podstawie badania. Dansons nie ponosi odpowiedzialności za opłaty transportowe, koszty pracy ani cła wywozowe. O ile niniejsze warunki gwarancji nie stanowią inaczej, naprawa lub wymiana części w sposób i w okresie określonym powyżej będzie tożsama z wypełnieniem wszystkich bezpośrednich i pochodnych zobowiązań Dansons wobec nabywcy urządzenia. Dansons dokłada wszelkich starań, aby wykorzystywane materiały opóźniały pojawianie się rdzy. Nawet przy takich zabezpieczeniach powłoki ochronne mogą być narażone na działanie różnych substancji i warunków atmosferycznych, na co Dansons nie ma wpływu. Wysokie temperatury, nadmierna wilgotność, chlor, spaliny przemysłowe, nawozy, pestycydy i sól to tylko niektóre z substancji, które mogą mieć wpływ na stan metalowych powłok. Z tych powodów gwarancja nie obejmuje rdzy ani utlenienia, chyba że nastąpiła utrata integralności strukturalnej elementów płyty grillowej. W razie wystąpienia jakiegokolwiek z powyższych problemów, prosimy o zapoznanie się z rozdziałem dotyczącym pielęgnacji i konserwacji, które pozwalają na przedłużenie żywotności urządzenia. Dansons zaleca używanie osłony, gdy płyta grillowa nie jest używana.

Niniejsza gwarancja zakłada normalne użytkowanie i obsługę płyty grillowej w warunkach domowych i nie ma zastosowania do płyty grillowej używanej w zastosowaniach komercyjnych.

## WYJĄTKI

Producent nie daje pisemnej ani dorozumianej gwarancji parametrów eksploatacyjnych produktów Pit Boss® Grills, ponieważ instalacja, obsługa, czyszczenie, konserwacja i rodzaj używanego paliwa pozostają poza jego kontrolą. Niniejsza gwarancja nie będzie miała zastosowania, a firmę Dansons obejmować będzie wyłączenie odpowiedzialności w wypadku, gdy instalacja, obsługa, pielęgnacja i konserwacja nie były przeprowadzane zgodnie z instrukcją użytkownika. Każde niezgodne z niniejszą instrukcją użycie gazu może unieważnić gwarancję. Gwarancja nie obejmuje uszkodzeń ani stłuczeń spowodowanych niewłaściwym użytkowaniem, nieprawidłową obsługą lub wprowadzonymi modyfikacjami. Ani Dansons, ani autoryzowany sprzedawca Pit Boss® Grills, nie ponoszą odpowiedzialności prawnej ani żaden innej za szkody uboczne lub następne wyrządzone osobom i w majątku, powstałe w wyniku użytkowania tego produktu. Niezależnie od tego, czy roszczenie dotyczy firmy Dansons w oparciu o naruszenie niniejszej gwarancji czy też dowolnego innego rodzaju gwarancji wyrażonej lub dorozumianej przez prawo, producent w żadnym wypadku nie ponosi odpowiedzialności za jakiegokolwiek szczególne, pośrednie, wynikowe lub inne szkody dowolnego typu, które nie powstały w ramach pierwszego zakupu tego produktu. Wszelkie gwarancje producenta są określone w niniejszym dokumencie i nie można dochodzić żadnych roszczeń względem producenta z tytułu żadnej innej gwarancji lub oświadczenia. Niektóre stany USA nie zezwalają na wyłączenie lub ograniczenie odpowiedzialności za szkody uboczne lub następne, a także na ograniczone gwarancje dorozumiane, dlatego ograniczenia lub wyłączenia określone w niniejszej gwarancji ograniczonej nie wszędzie mają zastosowanie. Niniejsza ograniczona gwarancja zapewnia określone prawa, ale prawa te mogą być różne dla różnych stanów USA.

## ZAMAWIANIE CZĘŚCI ZAMIENNYCH GRILLA

Aby zamówić części zamienne, skontaktuj się z miejscowym sprzedawcą Pit Boss® Grills lub odwiedź nasz sklep internetowy pod adresem [www.pitboss-grills.com](http://www.pitboss-grills.com)

## KONTAKT DO DZIAŁU OBSŁUGI KLIENTA

W przypadku pytań lub problemów skontaktuj się z działem obsługi klienta pod adresem [www.pitboss-grills.com](http://www.pitboss-grills.com)

## OBSŁUGA GWARANCYJNA

W celu naprawy lub zamówienia części zamiennych skontaktuj się z najbliższym sprzedawcą Pit Boss® Grills. Dansons wymaga dowodu zakupu do ustalenia zasadności roszczenia gwarancyjnego; zachowaj zatem oryginalny paragon lub fakturę, by mieć do nich dostęp w przyszłości. Numer seryjny i model urządzenia Pit Boss® znajdują się bezpośrednio na urządzeniu. Zapisz te numery poniżej, ponieważ etykieta może z czasem wyblaknąć lub stać się nieczytelna.

---

MODEL

---

NUMER SERYJNY

---

DATA ZAKUPU

---

AUTORYZOWANY SPRZEDAWCA

# SÄKERHETSINFORMATION

## HUVUDSAKLIGA ORSAKER TILL ATT APPARATEN FATTAR ELD ÄR TILL FÖLJD AV DÅLIGT UNDERHÅLL OCH UNDERLÅTENHET ATT HÅLLA SÄKERT AVSTÅND FRÅN BRÄNNBARA MATERIAL. DET ÄR AV YTTERSTA VIKT ATT DEN HÄR PRODUKTEN ENDAST ANVÄNDS I ENLIGHET MED FÖLJANDE INSTRUKTIONER.

Läs igenom och se till att du förstår hela bruksanvisningen innan du börjar montera, använda eller installera produkten. Det säkerställer att användningen av din nya bärbara gasolhåll blir en behaglig och problemfri upplevelse. Vi rekommenderar även att du sparar bruksanvisningen för framtida bruk.

### GASOLVARNINGAR

#### FARA

Om du känner gaslukt:

- Stäng av gasolen till apparaten
- Släck eventuell öppen låga.
- Öppna locket.
- Om lukten är kvar ska du omedelbart avlägsna dig från apparaten och kontakta din gasleverantör eller brandkåren.

#### VARNING

- Förvara och använd inte bensin och andra brandfarliga vätskor eller ångor i närheten av denna eller någon annan apparat.
- En gasolflaska som inte är ansluten för användning ska inte förvaras i närheten av denna eller någon annan apparat.
- För att använda apparaten behöver du en precisionsfylld G30/G31 gasolflaska av standardtyp med externa ventilgängor. Flaskans maximala diameter och höjd är 300 mm respektive 600 mm.

1. Se till att gasolflaskan köpts in av en tillförlitlig leverantör. En felaktigt fylld eller överfylld gasolflaska kan vara farlig. Överfyllning i kombination med uppvärmning av gasolflaskan (en varm sommardag, flaskan ligger i solen osv.) kan få gasolen att läcka ut eftersom temperaturökningen får gasolen att expandera. Gasol som slipper ut ur flaskan är lättantändlig och kan vara explosiv.
2. Använd inte gasolflaskan om den har en skadad ventil eller uppvisar tecken på bucklor, sprickor, bulor, brandskador, korrosion, läckor, kraftig rost eller annan visuell utvändig skada. Detta kan medföra fara och ska omgående undersökas av en gasolleverantör.

**Om du ser, känner lukten av eller hör att gasol slipper ut ur flaskan ska du inte försöka tända apparaten. Släck eventuell öppen låga. Koppla från bränsletillförseln.**

3. Anslut inte och koppla inte ifrån gasolflaskan medan enheten används eller fortfarande är varm. När hällen inte används ska regulatorn vara ställd i OFF-läge och gasolflaskan fränkopplad. Flytta eller transportera aldrig enheten med gasolflaskan ansluten. Förvara inte extra gasolflaskor under eller i närheten av apparaten.
4. Flaskor måste förvaras utomhus utom räckhåll för barn och får inte förvaras i en byggnad, garage eller något annat slutet utrymme.



5. Förbrännings- och ventilationsluftens flöde till apparaten får inte hindras. Håll brännarröret och -portarna rena och fria från skräp. Rengör före användning. Regelbundet underhåll krävs för att förlänga enhetens livstid.
6. Undersök alltid om det finns gasläckor när regulatören ansluts till och kopplas bort från gasolflaskan, särskilt efter en tids förvaring (t.ex. över vintern). Undersök alla kopplingar för läckor med en tvålvattenlösning och borste. Använd aldrig öppen låga när du söker efter läckor.
7. Rengör och inspektera gasolregulatören varje gång innan du använder gasolapparaten för matlagning utomhus. Sätt tillbaka gasolregulatören före användning om det finns tecken på kraftig avskavning eller slitage.
8. Denna apparat ska endast användas med gasol, vilket också anges på enhetens märkplåt. Försök inte använda grillen med andra typer av gas. Försök inte konvertera denna gasolenhet till naturgas. Underlåtenhet att följa den här varningen kan orsaka brand och kroppsskada, och medför att garantin upphävs.
9. Brännarrörets placering i förhållande till öppningen är avgörande för säker drift. Kontrollera att öppningen är inuti brännarröret innan du använder gaspannan. Om brännarröret inte passar över ventilöppningen kan tändning av brännaren orsaka explosion och / eller brand.

## FAROR OCH VARNINGAR

**Du måste kontakta ditt lokala bostadsbolag, byggnads- eller brandmyndigheter eller annan relevant myndighet för att få nödvändiga tillstånd och information om installationsbegränsningar, som till exempel avser placering av grillen på ett brännbart underlag, inspektionskrav eller till och med användningsförmåga, för ditt område.**

1. Det krävs ett minsta avstånd på 1 270 mm mellan brandfarliga konstruktioner och hällens sidor. Håll dessutom alltid ett avstånd på 1 270 mm mellan hällens baksida och brandfarliga konstruktioner. **Installera inte apparaten på brandfarliga golv, eller golv som är skyddade med brandfarliga material utan att giltiga tillstånd erhållits från behörig myndighet.** Använd inte apparaten inomhus, i ett slutet eller oventilerat utrymme, i bostäder, fordon, tält eller garage. Placera inte gasolapparaten under brännbara tak eller markiser. Placera hällen på en yta som är fri från brandfarliga material, bensin och andra brandfarliga ångor eller vätskor.

**Om en fettbrand skulle uppstå ska du sätta grillen i OFF-läget tills elden har slocknat. Håll inte på vatten. Försök inte att kväva elden. Det är rekommenderat att placera en brandsläckare i klass ABC på plats. Om en okontrollerad brand uppstår, ring brandkåren.**

2. Denna utomhusgrill är inte avsedd för installation i/på fritidsfordon eller båtar.

**Apparaten får aldrig användas i ett slutet utrymme som husvagn, tält, bil, båt eller bostad. Denna apparat är inte avsedd att användas som värmeelement, och får aldrig användas som det.**

3. Den här apparaten rekommenderas inte för barn, personer med fysiska, sensoriska eller psykiska funktionshinder, eller som saknar erfarenhet och kännedom, såvida det inte sker under direkt överinseende eller handledning av en person som ansvarar för deras säkerhet.
4. Vissa delar av grillen kan bli mycket heta och orsaka allvarlig skada. Se till att hålla barn och husdjur borta under användning. Undvik att röra vid heta ytor. Använd alltid värmetåligena handskar, långa tänger eller grillvantar, eftersom grillen blir väldigt varm.
5. Använd aldrig grillen utan droppbrickan installerad och upphängd under eldstaden. Utan droppbricka kan varmt fett och smuts droppa från grillen och utgöra en brandrisk.



## KOLMONOXID ("DEN TYSTA MÖRDAREN")

Använd alltid gasdrivna apparater utomhus på en öppen plats med god ventilation för att undvika att andas in giftiga ångor från förbränningen eller läckande gas. Kolmonoxid är en färglös, luktfri, smaklös gas som bildas vid förbränning av gas, trä, propan, träkol eller annat bränsle. Kolmonoxid begränsar blodets förmåga att ta upp syre. Låga syrenivåer i blodet kan resultera i huvudvärk, yrsel, kraftlöshet, illamående, kräkningar, dåsighet, förvirring, medvetslöshet eller död. Följ de här riktlinjerna för att förhindra att sådan färglös, luktfri gas förgiftar dig, någon i din familj eller andra personer:

- Kontakta läkare om du eller någon annan upplever influensaliknande symptom under grillningen eller i närheten av apparaten. Kolmonoxidförgiftning kan enkelt misstas för förkylning eller influensa och upptäcks ofta för sent.
- Alkoholkonsumtion och droganvändning förvärrar effekterna av kolmonoxidförgiftning.

Kolmonoxid är särskilt giftigt för gravida kvinnor och foster, spädbarn, äldre personer, rökare och personer med blod- eller hjärtkärlsjukdom, t.ex. anemi eller hjärtsjukdom.

## SÄKERHETSLISTNING

In accordance with the procedures and specifications by Conformité Européenne (CE), Pit Boss® Grills gas appliances demonstrates compliance through testing to the standards and directives that comply with all safety, health and environmental protection requirements by the EU (European Union) and the European Economic Area (EEA).



	VÄRMETILL-FÖRSEL	ANTAL BRÄNNARE		TYP AV BRÄNNARE	INJEKTOR-STORLEK	GAS/TRYCK	ANVÄNDNINGSLAND
		RAK BRÄNNARE	P-BRÄNNARE				
PB2BGD2	7,63 KW G30 – 555 g/h G31 – 545 g/h	1	1	RAK BRÄNNARE	0,8 mm	G30 vid 28–30 mbar G31 vid 37 mbar G30/G31-blandning vid 30 mbar	<b>I3+ (28-30/37) :</b> BE, CH, CY, CZ, ES, FR, GB, GR, IE, IT, LT, LU, LV, PT, SK, SI  <b>I3B/P (30) :</b> BE, CY, DK, EE, FR, GB, HU, IT, LT, NL, NO, SE, SI, SK, RO, HR, TR, BG, IS, LU, MT, FI  <b>I3B/P (37) :</b> PL  <b>I3B/P (50) :</b> AT, DE, SK, CH
PB3BGD2	10,5 KW G30 – 768 g/h G31 – 755 g/h	2	1		0,75 mm	G30/G31-blandning vid 37 mbar	
PB4BGD2	13,49 KW G30 – 982 g/h G31 – 964 g/h	3	1		0,72 mm	G30/G31-blandning vid 50 mbar	
PB5BGD2	14,65 KW G30 – 1066 g/h G31 – 1047 g/h	5	0	P-BRÄNNARE	1,02 mm	G30 vid 28–30 mbar G31 vid 37 mbar G30/G31-blandning vid 30 mbar	
					0,97 mm	G30/G31-blandning vid 37 mbar	
					0,93 mm	G30/G31-blandning vid 50 mbar	

SE

SVENSKA



## MEDDELANDE OM UPPHOVSRÄTT

Copyright 2021. Alla rättigheter förbehålles. Denna bruksanvisning får inte kopieras, överföras, transkriberas eller lagras i ett sökbart system, i någon del, form eller på något sätt, utan uttryckligt skriftligt tillstånd från

### **DANSONS EUROPE**

11 Rue Galvani Paris, Frankrike 75017

### **DANSONS NORDAMERIKA**

3411 North 5th Avenue, Suite 500, Phoenix, AZ, USA 85013

### KUNDTJÄNST

[www.pitboss-grills.com](http://www.pitboss-grills.com)

## INNEHÅLLSFÖRTECKNING

Säkerhetsinformation .....	182
Ansluta till en gasolkälla	
Krav på gasolflaskor .....	186
Installera en gasanslutning till grenröret .....	186
Ansluta en gasolflaska .....	187
Förberedelse för användning – Läckagetest .....	188
Koppla från en gasolflaska .....	188
Användningsinstruktioner	
Hällens miljö .....	189
Första användningen – avbränning av hällen .....	190
Tändningsförfarande .....	190
Manuellt tändningsförfarande .....	191
Stänga av hällen .....	191
Lyfta bort hällen från vagnen .....	192
Använda papperskorgen .....	193
Skötsel och underhåll .....	194
Tips och tekniker .....	195
Felsökning .....	196
Reservdelar .....	197
Garanti .....	201

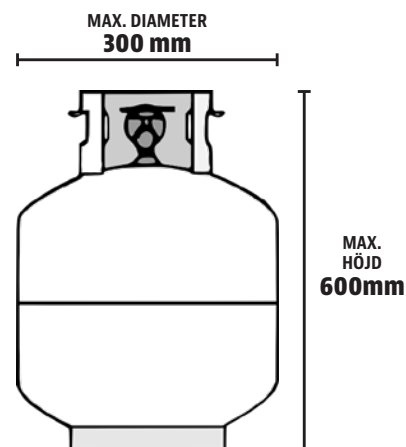
# ANSLUTA TILL EN GASOLKÄLLA

## KRAV PÅ GASOLFLASKOR

För att använda apparaten behöver du en precisionsfylld G30/G31 gasolflaska av standardtyp med externa ventilgängor. Använd en flexibel slang av standardtyp med högst 1,5 m längd. Hela slangen ska enkelt kunna ses för inspektion efter installation.

Flaskans maximala diameter och höjd är 300 mm respektive 600 mm, se illustrationen.

**FÖRSIKTIGT: Flaskan och regulatorn måste uppfylla relevant standard (EN16129) för att grillen ska kunna användas på ett säkert och effektivt sätt. Det är farligt att använda en felaktig eller defekt regulator och innebär att garantin upphör att gälla. Det är viktigt att inspektera gasslangens fulla längd. Om det finns uppenbara tecken på kraftig avskavning eller slitage, eller om det är hål i slangen måste den bytas innan apparaten används.**



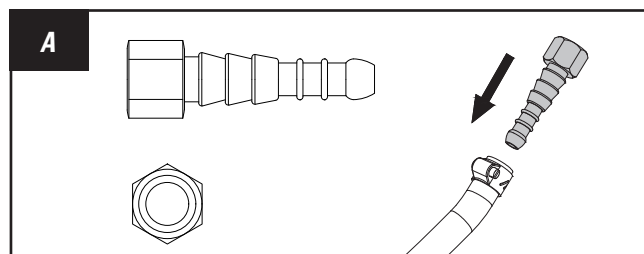
## INSTALLERA EN GASANSLUTNING TILL GRENRÖRET

Beroende på plats och inköpsland säljer inte alla distributörer hällen med en regulator inkluderad. En grenrörsats finns om en gasolregulator inte finns förmonterad. Välj den anslutning från grenrörsatsen som passar enhetens gasolgrenrör och regulatorslang. Underlätta installationen av gasanslutningen genom att lyfta av eller koppla bort hällen från vagnen. Placera hällen upp och ned på en bit kartong för att förhindra repor eller skador.

- **ANSLUTNING A – AVSMALNANDE**

Sätt in anslutningens smala ände i regulatorslangen och lås den sedan med slangklämman.

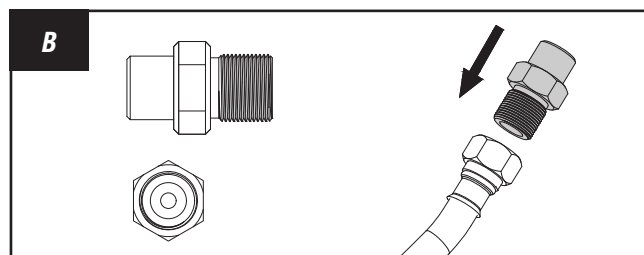
Se illustration A.



- **ANSLUTNING B – GÄNGAD**

För in den gängade hankontakten i honänden på regulatorslangen. Vrid för att dra åt helt.

Se illustration B.



Fortsätt till nästa steg för installation av gasolflaska. Håll hällen borta från vagnen.

## ANSLUTA EN GASOLFLASKA

**VIKTIGT: Om grenröret kräver en koppling följer du anvisningarna för installation av kopplingen innan du ansluter enheten till en gasolflaska.**

Innan du ansluter kontrollerar du att det inte har kommit in skräp i öppningen på gasolflaskan, öppningen på regulatorventilen eller öppningen på brännaren och brännarportarna.

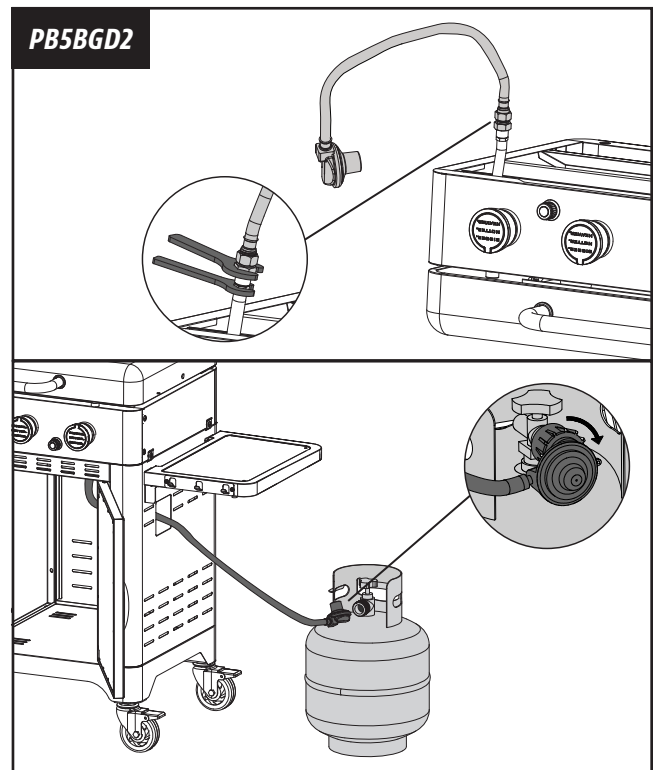
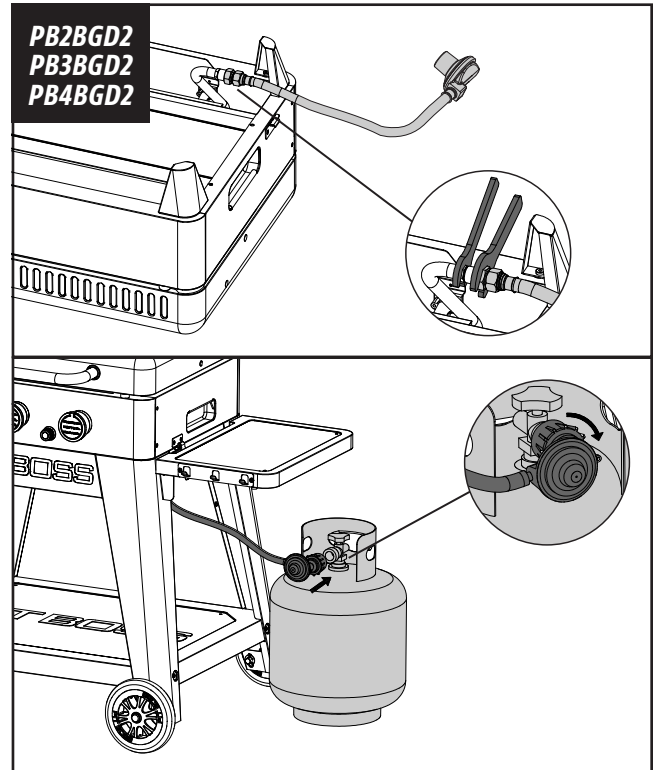
1. Fortsätt till nästa steg om en regulator är förinstallerad.

Om en anslutning från grenrörssatsen har installerats ska hällen inte sitta på vagnen under installation av regulatorn. Anslut regulatorns rörledning till hällens grenrör genom att dra åt helt med en skiftnyckel. Sätt tillbaka hällen på vagnen när regulatorn och regulatorslangen har installerats. Se till att regulatorslangen inte vrids eller kläms på något sätt när hällen sätts tillbaka på vagnen.

2. För en häll med skåp drar du regulatorn och regulatorslangen genom öppningen på vagnens högra vägg.
3. Placera en gasolflaska bredvid vagnen på höger sida. Se till att gasolflaskans ventil är ställd i STÄNGT läge. Det är viktigt att se till att gasolflaskan står helt upprätt, eftersom det inte är säkert att använda grillen om gasolflaskan inte står jämnt eller på en stabil yta.
4. Se till att reglagen på hällen är helt stängda genom att vrida reglaget medurs till läget "O" (OFF).
5. Ta bort skyddslocken på regulatorventilen och gasolflaskans topp. Spara dessa lock.
6. För in gasolflaskans ventil i regulatorventilens gängade öppning. Vrid snabbkopplingens mutter medurs tills den sitter fast. Dra endast åt för hand.
7. Gasolflaskan är nu installerad. Utför ett läckagetest.

**VARNING: Stäng gasolflaskan om du känner gaslukt. Prova att installera om gasolflaskan för att se till att flaskan är ordentligt ansluten. Utför ett läckagetest.**

**OBS! Det normala gasflödet genom regulatorn och slangaggregatet kan skapa ett surrande ljud. Ett lågt ljud är helt normalt och förhindrar inte grillens funktion. Om det surrande ljudet är högt och kraftigt kan du behöva rensa luft från gasledningen eller återställa regulatorns anordning för kraftigt gasflöde. Den här rensningen bör göras varje gång du ansluter en ny gasolflaska till hällen.**



## FÖRBEREDELSE FÖR ANVÄNDNING – LÄCKAGETEST

Ett läckagetest utförs för att fastställa tätningens skick. Utför ett läckagetest av kopplingen mellan regulatorn och gasolflaskan före användning för att minska risken för allvarlig kroppsskada eller dödsfall till följd av brand eller explosion. Utför ett läckagetest minst en gång per säsong samt

- innan du tänds grillen för första gången
- varje gång gasolflaskan byts
- efter transport, särskilt på ojämna eller guppiga vägar
- efter en längre tids förvaring eller uppehåll i användningen.

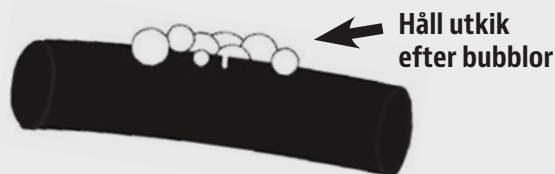
### UTFÖRA ETT LÄCKAGETEST

#### Detta behöver du:

- 1 x En skål (*tom, ren*)
- 1 x En målarpensel (*ren*)
- Diskmedel
- Vatten

#### Gör så här:

1. Ställ grillen på en väl ventilerad plats. Se till att grillen är sval och inte i bruk. Kontrollera att regulatorventilen är ställd i OFF-läge och att gasolflaskan är ordentligt fäst i regulatorn.



**VIKTIGT! Se till att ingen öppen låga eller rökande personer finns i närheten.**

2. Blanda till en lösning av en del vatten och en del diskmedel i en skål. Lösningen skummar, eftersom den är koncentrerad.
3. Pensla lösningen med en målarborste på tätningen mellan regulatorn och gasolflaskan. Titta efter bubblor som strömmar från en defekt eller ett hål i tätningen.

**OBS! Om du upptäcker en läcka ska du ominstallera gasolflaskan, men dra inte åt för hårt. Dra endast åt för hand. Upprepa läckagetestet efter ominstallationen för att säkerställa att tätningen är säker.**

**VIKTIGT! Använd inte gasolgrillen om du upptäcker en gasolläcka som inte kan åtgärdas genom läckagetestet. Kontakta din lokala brandmyndighet eller kundtjänst för alternativa teståtgärder för att säkerställa tillämplig säkerhet.**

## KOPPLA FRÅN EN GASOLFLASKA

1. Se till att reglaget på grillen är helt stängt genom att vrida det medurs till OFF-läge. Vrid gasolflaskans ventil till stängt läge, tills reglaget hoppar ut.
2. Lossa flaskan från regulatorventilen genom att vrida den moturs (för hand). Sätt tillbaka skyddslocken på regulatorventilen och gasolflaskans topp inför förvaring (om den inte är tom).

**VIKTIGT: Om grillen förvaras inomhus ska gasolflaskan lämnas utomhus.**

**WARNING! Grillen får inte transporteras med gasolflaskan ansluten. Flaskan kan lossna från ventilen så att en gasläcka uppstår, vilket kan orsaka en explosion, brand eller svår kroppsskada. Koppla från gasolflaskan före transport eller förvaring. Om grillen förvaras inomhus ska gasolflaskan lämnas utomhus.**

# ANVÄNDNINGSPÅSÄKTIONER

## HÄLLENS MILJÖ

### 1. PLACERING AV HÄLLEN

Väderförhållanden spelar en stor roll för hur hällen fungerar och hur lång tid tillagningen tar, eftersom den används utomhus. Alla Pit Boss® Grills-enheter ska ha ett minsta avstånd på 1 270 mm från brännbara konstruktioner, och det avståndet måste alltid hållas under användning. Enheten får inte placeras under brännbara tak eller överhäng. Ställ hällen på en yta som är fri från brännbara material, bensin och andra brandfarliga ångor eller vätskor.

### 2. GRILLA I KALLT VÄDER

Trots att det blir kallare utomhus betyder det inte att grillsäsongen är över! Den krispiga luften och himmelska grilldoften håller humöret uppe under dystra vinterdagar. Här följer några förslag på hur du kan njuta av grillen under de kallare månaderna:

- Organisera – Förbered allt du behöver inomhus i köket innan du ger dig ut i kylan. Se till att grillen står på en plats som är vindstill och skyddad från direkt kyla. Följ lokala bestämmelser om hur nära ditt hus och/eller andra byggnader som grillen får vara placerad.. Lägg allt du behöver på en bricka, klä dig varmt och ge dig ut!
- Sätt en utomhustermometer vid grillen så att du enkelt kan se hur kallt det är. Skriv ner vad du lagar för rätter, i vilken temperatur och hur lång tid det tar. Det hjälper dig att framöver bestämma när och vad du ska grilla och hur lång tid det tar.
- Ha ett uppvärmt underlägg eller lock redo för att hålla maten varm på vägen tillbaka in.

### 3. GRILLA I VARMT VÄDER

I varmare väder tar grillningen kortare tid. Här följer ett par förslag på hur du kan njuta av grillen under de varmare månaderna:

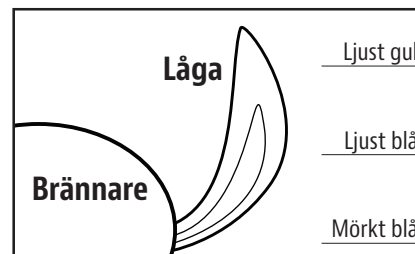
- Sänk grilltemperaturerna. Det minskar risken för oönskat uppflammande.
- Använd en kötttermometer för att fastställa innetemperaturen på maten. Det hjälper dig att undvika att grilla för länge, så att det blir torrt.
- Du kan hålla maten varm genom att svepa in den i folie och lägga den i en isolerad kylväska. Lägg hopknycklat tidningspapper runt om så håller sig maten varm i 3–4 timmar.

## FÖRSTA ANVÄNDNINGEN – AVBRÄNNING AV HÄLLEN

Innan du använder hällen med mat för första gången är det viktigt att den har bränts av. Starta hällen och använd den i minst 15 minuter på hög effekt för att bränna av enheten. Detta "varmrengör" de invändiga delarna och avlägsnar lukt och eventuellt skräp.

### TÄNDNINGSFÖRFARANDE

1. Öppna locket vid tändning.
2. Ställ alla kontrollrattarna i läget "O".
3. Öppna flaskan/gasolventilen enligt bruksanvisningen på behållaren.
4. Tryck och vrid brännskyddsknappen moturs till "🔥 (tändningsläge)".
5. Tryck på tändarknappen tills brännaren tänds.
6. Om tändning inte sker inom 5 sekunder vrider du ventilen till "O", väntar 5 minuter och upprepar tändningsinstruktionen. Iaktta brännarens låga efter tändning. Se till att alla brännarporthar är tända och att lågans höjd överensstämmer med illustrationen.
7. Om något i ovanstående punkter inte fungerar följer du instruktionerna i **Manuellt tändningsförfarande**.



**Om brännaren slocknar under användning ska du vrida reglagen till läget "O" (OFF). Vänta i fem minuter innan du tänder den igen, så att ansamlad gasol kan skingras.**

### TÄNDNINGSFEL

**Om det inte går att tända på tre försök ska du kontrollera följande steg eller starta grillen manuellt.**

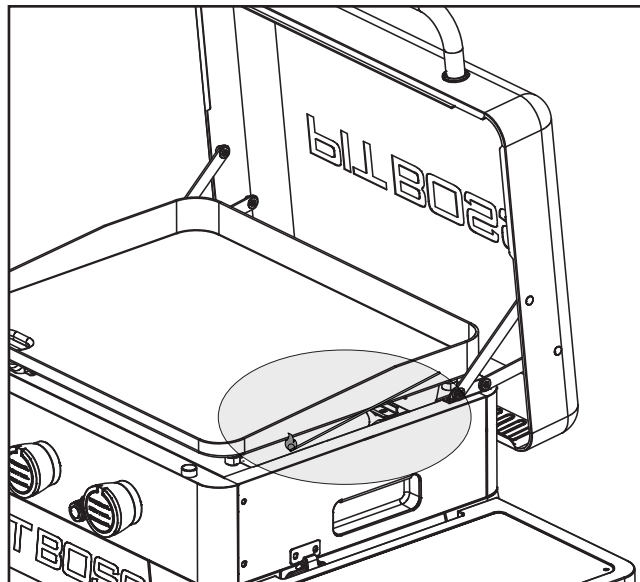
1. Se till att alla reglage är i OFF-läget. Låt ansamlad gasol skingras.
2. Kontrollera följande efter fem minuter:
  - Bekräfta att tändaren är igång genom att trycka på dess knapp och titta efter en gnista. Om ingen gnista syns ska du justera avståndet mellan tändarens spets (elektroden) och brännaren till 4,5 mm.
  - Bekräfta visuellt att brännarslangen och -portarna inte är tilltäppta. Följ instruktionerna i Skötsel och underhåll om de är tilltäppta.
3. Om något i ovanstående punkter inte fungerar följer du instruktionerna i Felsökning..



## MANUELLT TÄNDNINGSFÖRFARANDE

1. Öppna locket vid tändning.
2. Ställ alla kontrollrattarna i läget "O".
3. Öppna flaskan/gasolventilen enligt bruksanvisningen på behållaren.
4. Använd en tändsticka eller tändare med långt skaft för att snabbt och försiktigt tända brännaren. Få tillgång till brännaren från kokplattans undersida. Sätt den tända stickan intill brännarens sida.

**FÖRSIKTIGT! Försök inte tända någon annan del av brännaren. Det kan orsaka personskador.**



5. Tryck och vrid brännarens reglage moturs till "🔥 (tändningsläge)" och håll kvar reglaget i 10 sekunder efter att brännaren har tänts. Du hör ett "knäppande" ljud från gnistan tills reglaget släpps.

**OBS! Använd inte sprit, tändarvätska eller fotogen för att tända eller få fyr på hällen.**

6. Om brännaren inte tänds inom 5 sekunder vrider du brännarens reglage till "O", väntar 5 minuter och upprepar tändningsinstruktionerna. Läkta brännarens låga efter tändning. Se till att alla brännarportar är tända och att lågans höjd överensstämmer med den tidigare illustrationen.

**OBS! Varje brännare tänds separat – upprepa samma steg för övriga brännare.**

**WARNING! Luta dig aldrig över tillagningsområdet medan du tänder gasolhällen. Håll ansiktet och kroppen på ett säkert avstånd (minst 457 mm) från tillagningsytan när du tänder hällen med en tändsticka.**

7. Se avsnittet *Felsökning* om metoderna i ovanstående punkter inte fungerar.

## STÄNGA AV HÄLLEN

1. När du har grillat klart vrider gasolflaskans ventil till CLOSED-läget, tills reglaget hoppar ut. Den här säkerhetsfunktionen låser fast reglaget för att säkerställa att gas inte längre tränger ut.
2. Vrid reglagen till läget "O".

**OBS! Ett puffljud är normalt när det sista av gasolen förbränns.**

3. Koppla från gasoltillförseln genom att följa instruktionerna i *Koppla från en gasolflaska*.

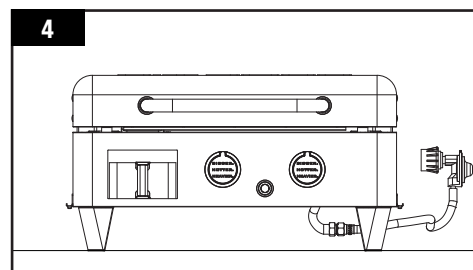
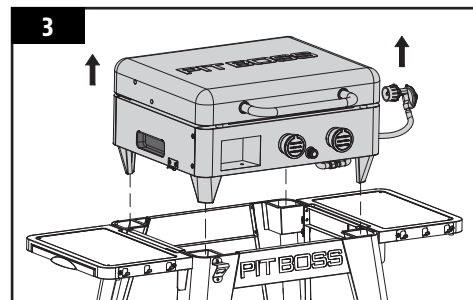
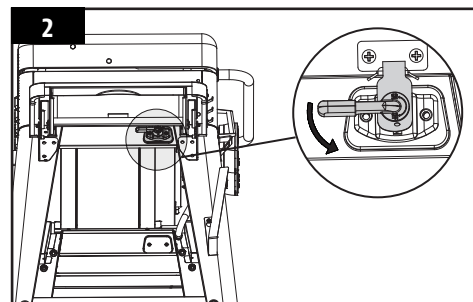
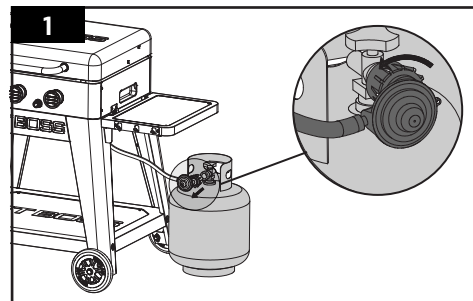
**WARNING! Låt hällen svalna helt och ta bort gasolflaskan innan du flyttar, transporterar eller ställer undan den.**

# LYFTA BORT HÄLLEN FRÅN VAGNEN

Om du har modellerna PB2BPGG, PB3BPGG, PB4BPGG kan de snabbt och enkelt lyftas bort från vagnen för tailgating eller resor. Följ bara monteringsanvisningarna i omvänd ordning eller följande sammanfattning:

**VIKTIGT: Se alltid till att hällen har svalnat helt, att den har kopplats bort från gasotillförseln och att droppbrickan har tagits bort.**

1. Koppla bort enheten från gastillförseln. Lossa tryckregulatorn från cylinderventilen genom att vrida snabbkopplingens mutter moturs.
2. Vrid spärrarna (en på vardera sidan) för att låsa upp eldstaden från vagnen.
3. Var två personer och lyft försiktigt bort hällen från vagnen med hjälp av spåren på varje sida. Var särskilt försiktig med regulatorn och slangarna när du lyfter.
4. Placera eldstaden på marken eller på önskad plats direkt för att undvika personskador eller skador på enheten.

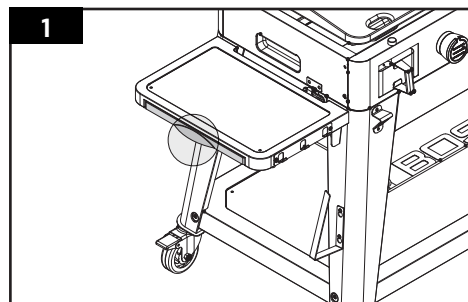


# ANVÄNDA PAPPERSKORGEN

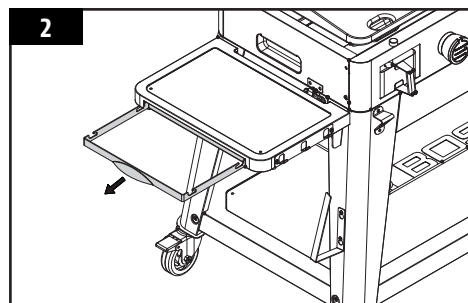
Papperskorgen gör det enkelt att samla upp skräp. Den rostfria ramen sitter under vänster sidohylla och är lätt att rengöra. Den kan användas med en vanlig plastpåse, normalt med en volym på cirka 10–20 liter. Ramen är också utformad för att fungera med de flesta vanliga soppåsar (med eller utan handtag) med en volym på upp till 60 liter.

**VIKTIGT! Tänk på hur stor vikt som hamnar i påsen på papperskorgen. Byt påsen ofta för att undvika skador på papperskorgens konstruktion och komponenter.**

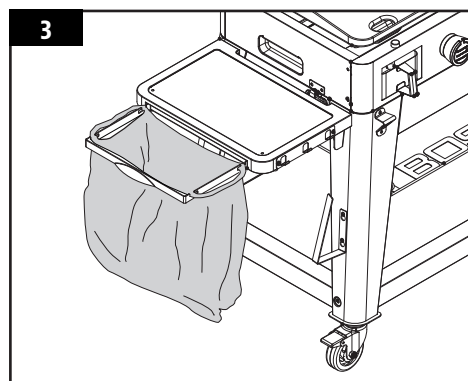
1. Leta reda på papperskorgens grepp på vänster sidohylla.



2. Dra ut papperskorgen så att du kommer åt ramfästena.



3. Sätt en plastpåse eller soppåse i papperskorgen. Använd handtagen på en plastpåse för att dra dem runt ramfästena, eller dra soppåsen runt tre sidor på ramen för att hålla den på plats.



# SKÖTSEL OCH UNDERHÅLL

## KONTROLLERA GASNIVÅN

För att du ska kunna kontrollera gasnivån i gasolflaskan måste grillen vara igång. Lägg handen ovanpå gasolflaskan och dra den nedåt längs flaskans sida tills den känns kall. På så sätt kan du känna ungefär hur mycket gasol som finns kvar i flaskan. Byt gasolflaskan när den är  $\frac{3}{4}$  tom.

**VIKTIGT: Använd inte kolbriketter eller andra antändliga material med grillen. Vid användning av sådana material upphör garantin att gälla och användningen kan leda till eldsvåda, explosion eller personskador.**

## RENGÖRINGSFREKVENNS

Alla Pit Boss®-enheter ger dig många års smakrika upplevelser med minimala rengöringsbehov. Följ de här tipsen för rengöring och underhåll av grillen:

### 1. BRÄNNARENS DELAR

- Rengör brännaren varje gång den har fått en kraftig beläggning för att säkerställa att det inte finns några tecken på igentäppning (skräp, insekter) på brännarslangen eller i brännarportarna. Under längre tids förvaring kan spindlar eller små insekter bygga bon och nät eller lägga ägg i brännarslangen, vilket hindrar gasflödet till brännaren. En tilltäppt slang kan orsaka brand under apparaten. Om grillen ska förvaras eller inte användas under en längre tid, ta bort brännaren och linda in den i aluminiumfolie för att minska risken för att insekter kommer in i brännarportarna.
- Brännaren är förinställd för optimal lågprestanda. När blandningen av luft och gas är optimal brinner lågan i blått, eventuellt med en liten gul topp. Om lågorna är kraftigt gula, orange eller oregelbundna, avlägsna fett- och matrester på brännarens yta och brännarportarna för att öka luftflödet.

### 2. COOKING COMPONENTS

- The Hot Plate of your griddle is ceramic-coated. The best utensils to use are wood, silicone, or nylon, as these materials will reduce the wear on the cooking surface.
- The unit comes pre-seasoned from the factory, but it is important to clean and season the Hot Plate after each use to prevent rust, extend the life of your griddle, and create a non-stick cooking surface. The seasoning of the griddle is a continuous process that must be repeated over the life of your griddle to ensure the best cooking experience and longest life of use.
  1. Clean the Hot Plate after each use, using a spatula or scraper to remove all food and debris.
  2. Liberally apply an even coat of cooking oil to the cooking surface. Vegetable, olive, peanut, coconut, and sesame oils are all suitable for seasoning your griddle.
  3. Allow to cool in a cool, dry location.

### 3. HÄLLEN UTSIDA

- Alla skruvar och muttrar bör kontrolleras med jämna mellanrum. Dra åt dem om så behövs.
- Använd ett grillöverdrag som skydd! Ett överdrag är det bästa skyddet mot väderpåverkan och föroreningar. När enheten inte används under en längre tid bör den förvaras i ett garage eller förråd, med gasolflaskan fränkopplad (den ska förvaras utomhus).

## TIDSHEMA FÖR RENGÖRING (NORMAL ANVÄNDNING)

ARTIKEL	RENGÖRINGSFREKVENNS	RENGÖRINGSMETOD
Kokplatta	Efter varje användning	Bränn bort rester, skrubba plattan med diskmedel, smörj med matolja
Droppbricka	Efter varje användning	Töm, skursvamp och vatten med diskmedel
Brännarslang, brännarportar	Efter 5–6 användningar	Torka av, skursvamp och vatten med diskmedel
Brännare	Efter 5–6 användningar	Skursvamp och vatten med diskmedel
Vagn	Vid behov	Mjuk trasa och vatten med diskmedel

# TIPS OCH TEKNIKER

Följ dessa tips och tekniker från Pit Boss®-ägare, vår personal och kunder som du så blir du mer bekant med din grill:

## 1. LIVSMEDELSSÄKERHET

- Använd inte samma underlägg och redskap för det grillade köttet som när du bär ut och hanterar det råa köttet. Det förebygger korskontaminering av bakterier. Använd separata redskap för varje marinad och sås.
- Håll varm mat varm (över 60 °C, och håll kall mat kall (under 3 °C). Lagad mat ska inte lämnas ute i värmen längre än en timme. Lämna inte varm mat utanför kylskåp längre än två timmar.
- En marinad ska aldrig sparas för senare användning. Om du vill servera den tillsammans med köttet ska du vara noga med att först koka upp den.
- Tina och marinera kött i kylskåp. Tina inte upp kött i rumstemperatur eller på en bänkskiva. Bakterier kan växa och föröka snabbt i varma och fuktiga miljöer. Tvätta händerna noga i varmt vatten och tvällösning innan du börjar grilla och efter att du har hanterat kött, fisk och fågel.

## 2. FÖRBEREDELSE FÖR TILLAGNING

- Var förberedd eller **Mise en Place**. Det innebär att förbereda receptet, bränsle, tillbehör, redskap och alla ingredienser som du behöver, bredvid grillen innan du börjar. Läs även igenom hela receptet, från början till slut, innan du tänder grillen.
- Det är mycket praktiskt att använda grillmatta. En grillmatta skyddar däck, uteplatsen eller stenläggningen från fläckar och spill.

## 3. TIPS OCH TEKNIKER FÖR GRILLNINGEN

- Använd alltid en köttermometer för att fastställa innetemperaturen på maten du tillagar. Det är en bra idé att lägga lagad mat på ett uppvärmt fat så att den hålls varm. Rött kött, t.ex. en biff eller stek, ska med fördel vila flera minuter före servering. Det gör att saften som trängs upp till ytan av hettan kan rinna tillbaka in i köttet och ge mer smak.
- Sockerbaserade såser är bäst lämpade att tillsättas i slutet av tillagningen för att förebygga att de bränns eller flamar upp.
- Använd en uppsättning långa tänger för att vända kött, och en stekspade för burgare och fisk. Om du använder ett spetsigt redskap, t.ex. en gaffel, går det hål i köttet så att saften rinner ut.

# FELSÖKNING

Lämplig rengöring och underhåll förebygger vanliga användningsproblem. Om grillen fungerar dåligt kan följande felsökning vara till hjälp. Vanliga frågor och svar finns på [www.pitboss-grills.com](http://www.pitboss-grills.com). Du kan även kontakta din lokala återförsäljare eller kundtjänst om du behöver hjälp.

**VARNING: Se alltid till att grillen är helt avsvälnad för att undvika skada.**

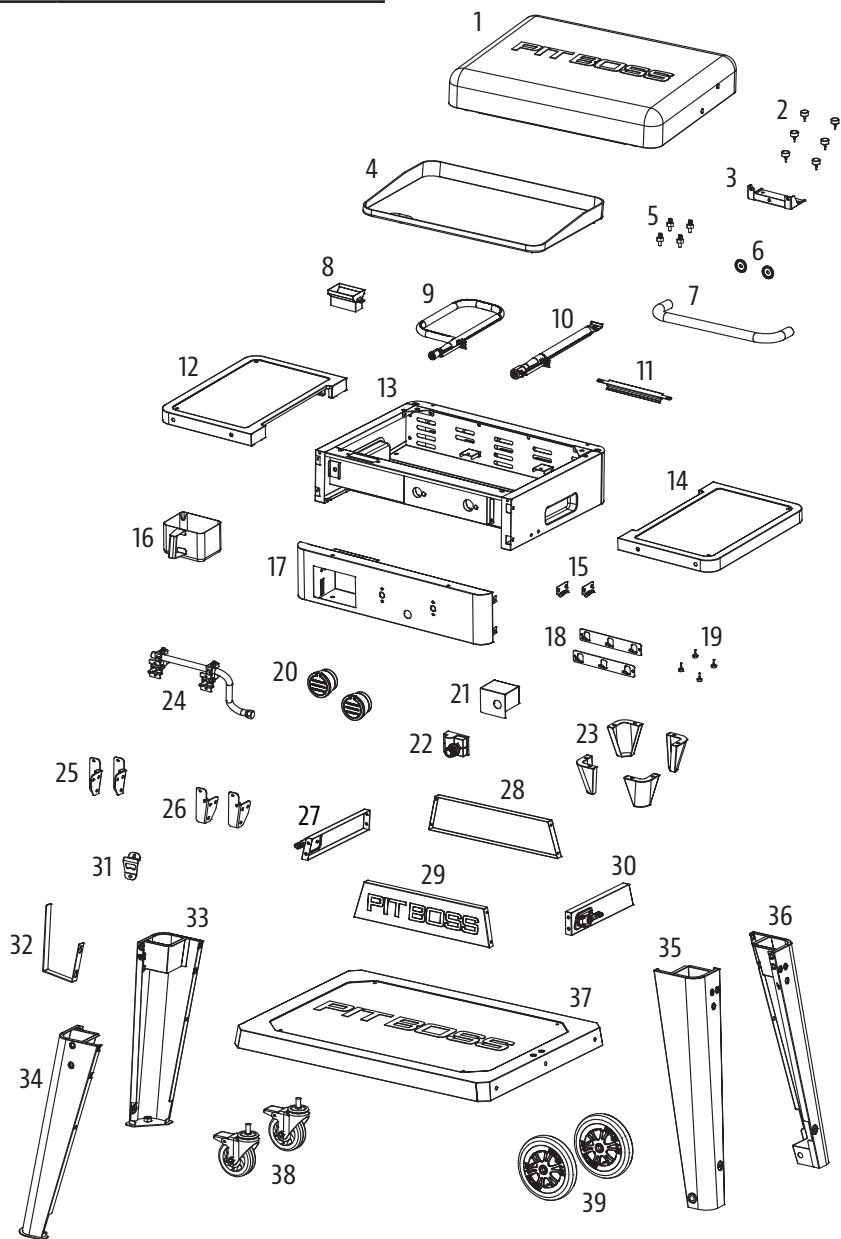
PROBLEM	ORSAK	LÖSNING
Brännaren tänds inte	Tändtråden är trasig	Kontakta kundtjänst för hjälp eller en reservdel.
	Ingen tändgnista på elektrod	Justera elektroden. Kontakta kundtjänst för hjälp eller en reservdel.
	Ingen gasol tillförs	Kontrollera regulatorventilen. Undersök om anslutningen har läckor.
Fettbrand/Frekvent uppflammande	Grilla fett kött	Grilla fett kött med kallt galler och reglagen inställda på LOW.
	Tillagningstemperatur	Prova att grilla på en lägre temperatur. Fett har en flampunkt. Håll temperaturen under 176 °C när du grillar mat med mycket fett.
	Vatten har sprutats på gasollågor	Spruta inte vatten på gasollågor.
Brännaren slocknar	Inget gasflöde	Kontrollera att gasolanslutningen är öppen. Byt gasolflaskan om den är tom.
	Vindbyar eller blåsigt	Vänd grillen så att framsidan skyddas från vinden eller öka lågornas storlek.
Sänk värmen från HIGH	Portar är blockerade	Rensa bort ev. igentäppning i portarna.
	Gasolflaskan är tom	Byt gasolflaska.
Gasläckage	Felaktig installation	Vrid regulatorns reglage till OFF-läget, tills reglaget hoppar ut. Ta bort gasolflaskan. Installera om den och dra åt. Utför ett läckagetest för att kontrollera att tätningen fungerar. Byt gasolflaskan om den är skadad.
	Fel på tätning	Gasolflaskan har rostet eller hanterats på ett felaktigt sätt. Byt gasolflaskan.
	Fel på regulator	Regulatorn behöver bytas ut. Kontakta kundtjänst för reservdelar.
Brännarflammorna är gula eller orange	Dåligt luftflöde	Inspektera brännarslang och brännarportar för att se om de satts igen av spindelväv eller annat skräp. Följ instruktionerna i <b>Skötsel och underhåll</b> för att rengöra brännarslangen.
	Stopp i brännare	
	Droppbrickan är full, rinner över	Töm droppbrickan och installera på nytt. Följ instruktionerna för <b>skötsel och underhåll</b> .
	Regulatorventilen är stängd	Kontrollera regulatorventilens anslutning till gasolflaskan. Ta bort den och installera på nytt. Utför sedan ett läckagetest.
	Brännaren är smutsig	Vrid reglaget till läget HIGH i fem minuter för att bränna av enheten. Följ instruktionerna för <b>skötsel och underhåll</b> .

# RESERVDELAR

## PB2BGD2

Delnr	Beskrivning
1	Lock (× 1)
2	Gummi till lockstöd (× 6)
3	Lockstöd (× 1)
4	Kokplatta (× 1)
5	Skrudar till kokplatta (× 4)
6	Lockhandtagets infattning (× 2)
7	Lockhandtag (× 1)
8	Fettavrinning (× 1)
9	P-brännare (× 1)
10	Höger brännare (× 1)
11	Tvärstag brännare (× 1)
12	Sidohylla – vänster (× 1)
13	Eldstadsenhet (× 1)
14	Sidohylla – höger (× 1)
15	Låshake (× 2)
16	Fettkopp (× 1)
17	Kontrollpanel till eldstad (× 1)
18	Krokpanel för sidohylla (× 2)
19	Gummi till sidohylla (× 4)
20	Reglage (× 2)
21	Värmeskydd till tändare (× 1)
22	Tändare (× 1)
23	Fötter till eldstad (× 4)
24	Ventilenhet (× 1)
25	Sidohyllkonsol – vänster (× 2)
26	Sidohyllkonsol – höger (× 2)
27	Vagnens sidopanel – vänster (× 1)
28	Vagnens bakpanel (× 1)
29	Vagnens frontpanel (× 1)
30	Vagnens sidopanel – höger (× 1)
31	Flasköppnare (× 1)
32	Krok för pappershandduk (× 1)
33	Stödben för svängbart hjul – bak (× 1)
34	Stödben för svängbart hjul – fram (× 1)
35	Stödben för hjul – fram (× 1)
36	Stödben för hjul – bak (× 1)
37	Bottenhylla (× 1)
38	Lås- och svängbart hjul (× 2)
39	Hjul (× 2)

Delnr	Beskrivning
A	Skruv (x 37)
B	Bricka (x 16)
C	Låsbricka (x 16)
D	Skruv (x 4)
E	Saxsprint till hjul (× 2)
F	Bricka till hjul (× 2)
G	Sprint till hjulaxel (× 2)
H	Batteri (x 1)



OBS! Till följd av kontinuerlig produktutveckling kan delar bytas för enheten utan föregående meddelande.

SE

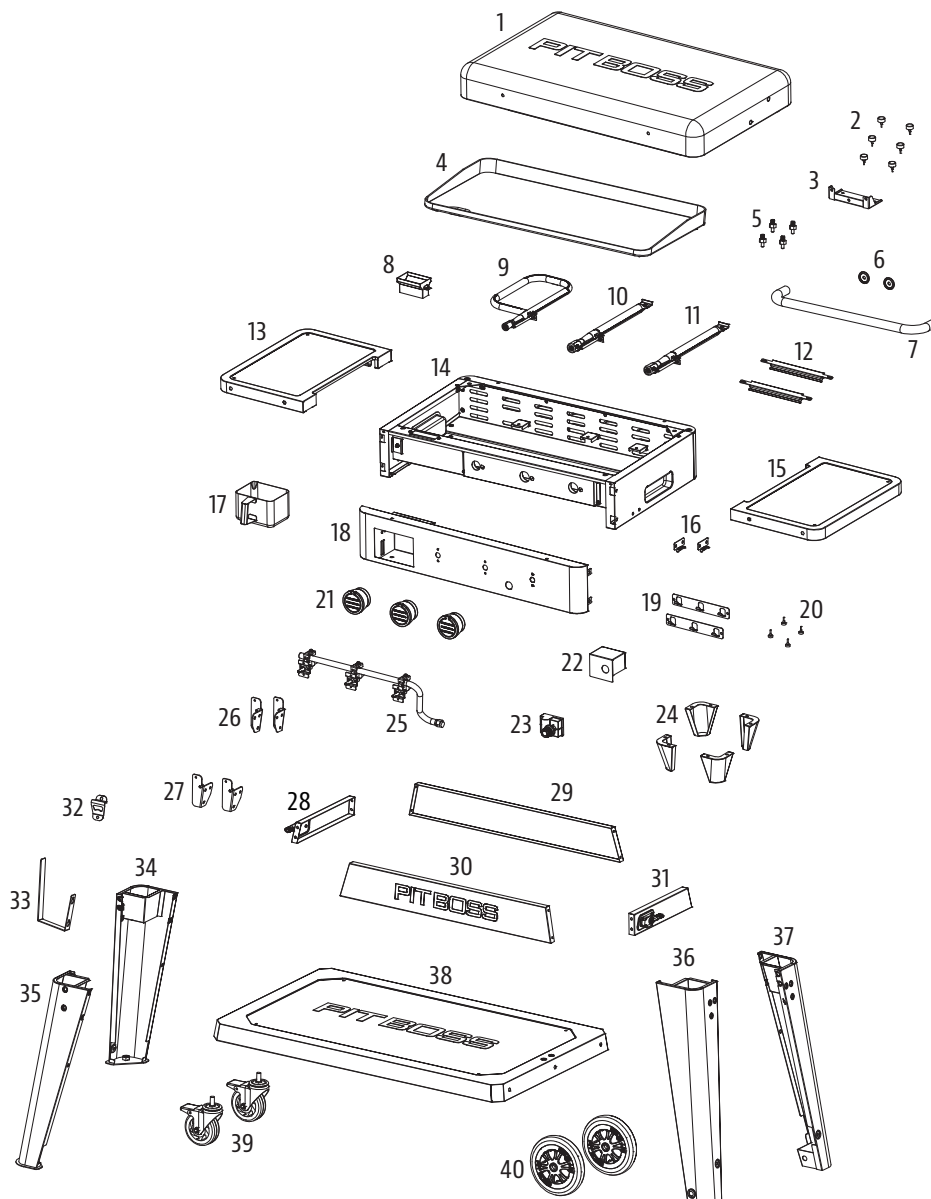
SVENSKA



## PB3BGD2

Delnr	Beskrivning
1	Lock (× 1)
2	Gummi till lockstöd (× 6)
3	Lockstöd (× 1)
4	Kokplatta (× 1)
5	Skruvar till kokplatta (× 4)
6	Lockhandtagets infattning (× 2)
7	Lockhandtag (× 1)
8	Fettavrinning (× 1)
9	P-brännare (× 1)
10	Mittbrännare (× 1)
11	Höger brännare (× 1)
12	Tvärstag brännare (× 2)
13	Sidohylla - vänster (× 1)
14	Eldstadsenhet (× 1)
15	Sidohylla - höger (× 1)
16	Låshake (× 2)
17	Fettkopp (× 1)
18	Kontrollpanel till eldstad (× 1)
19	Krokpanel för sidohylla (× 2)
20	Gummi till sidohylla (× 4)
21	Reglage (× 3)
22	Värmeskydd till tändare (× 1)
23	Tändare (× 1)
24	Fötter till eldstad (× 4)
25	Ventilenhet (× 1)
26	Sidohyllkonsol - vänster (× 2)
27	Sidohyllkonsol - höger (× 2)
28	Vagnens sidopanel - vänster (× 1)
29	Vagnens bakpanel (× 1)
30	Vagnens frontpanel (× 1)
31	Vagnens sidopanel - höger (× 1)
32	Flasköppnare (× 1)
33	Krok för pappershandduk (× 1)
34	Stödben för svängbart hjul - bak (× 1)
35	Stödben för svängbart hjul - fram (× 1)
36	Stödben för hjul - fram (× 1)
37	Stödben för hjul - bak (× 1)
38	Bottenhylla (× 1)
39	Lås- och svängbart hjul (× 2)
40	Hjul (× 2)

Delnr	Beskrivning
A	Skruv (x 37)
B	Bricka (x 16)
C	Låsbricka (x 16)
D	Skruv (x 4)
E	Saxsprint till hjul (× 2)
F	Bricka till hjul (× 2)
G	Sprint till hjulaxel (× 2)
H	Batteri (x 1)

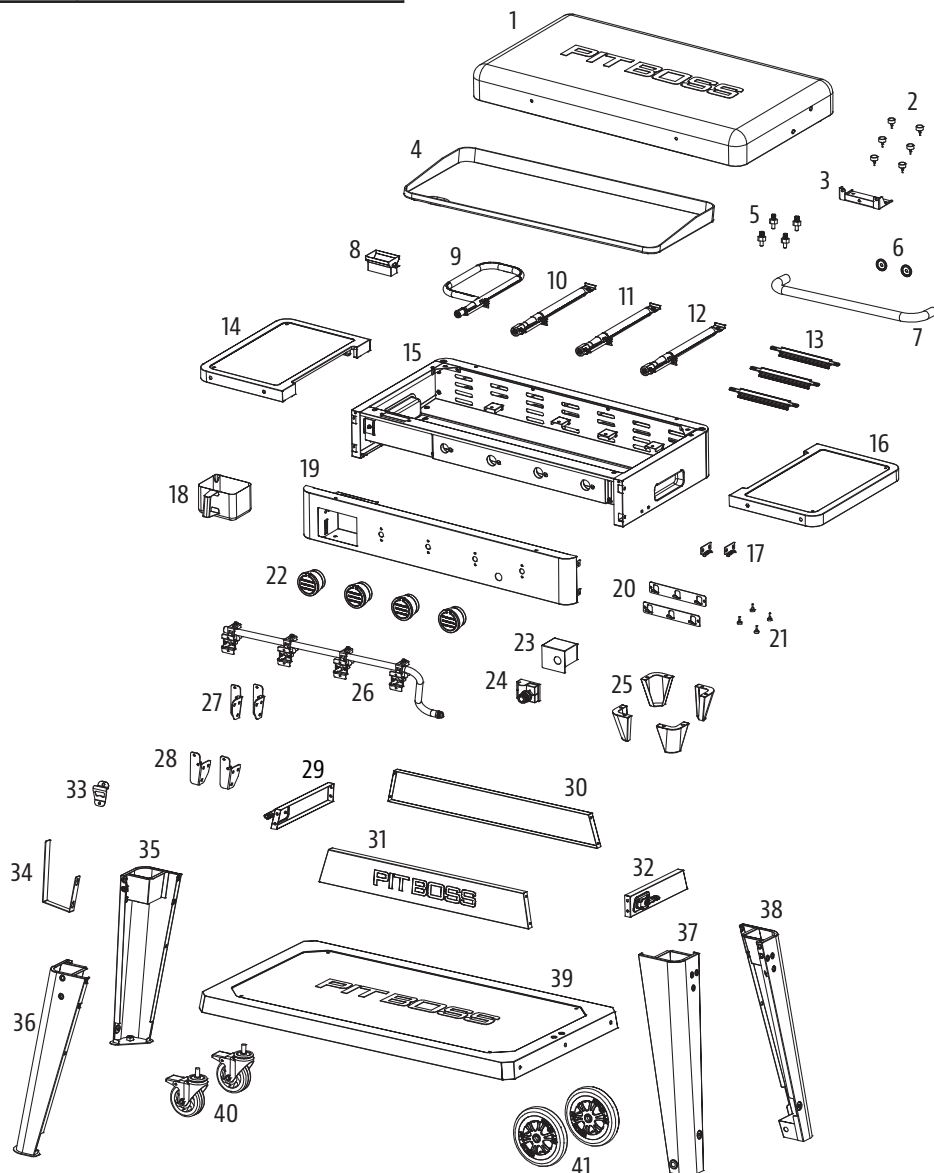


OBS! Till följd av kontinuerlig produktutveckling kan delar bytas för enheten utan föregående meddelande.

## PB4BGD2

Delnr	Beskrivning
1	Lock (× 1)
2	Gummi till lockstöd (× 6)
3	Lockstöd (× 1)
4	Kokplatta (× 1)
5	Skrudar till kokplatta (× 4)
6	Lockhandtagets infattning (× 2)
7	Lockhandtag (× 1)
8	Fettavrinning (× 1)
9	P-brännare (× 1)
10	Vänster brännare (× 1)
11	Mittbrännare (× 1)
12	Höger brännare (× 1)
13	Tvärstag brännare (× 3)
14	Sidohylla – vänster (× 1)
15	Eldstadsenhet (× 1)
16	Sidohylla – höger (× 1)
17	Läshake (× 2)
18	Fettkopp (× 1)
19	Kontrollpanel till eldstad (× 1)
20	Krokpanel för sidohylla (× 2)
21	Gummi till sidohylla (× 4)
22	Reglage (× 4)
23	Värmeskydd till tändare (× 1)
24	Tändare (× 1)
25	Fötter till eldstad (× 4)
26	Ventilenhet (× 1)
27	Sidohyllkonsol – vänster (× 2)
28	Sidohyllkonsol – höger (× 2)
29	Vagnens sidopanel – vänster (× 1)
30	Vagnens bakpanel (× 1)
31	Vagnens frontpanel (× 1)
32	Vagnens sidopanel – höger (× 1)
33	Flasköppnare (× 1)
34	Krok för pappershandduk (× 1)
35	Stödben för svängbart hjul – bak (× 1)
36	Stödben för svängbart hjul – fram (× 1)
37	Stödben för hjul – fram (× 1)
38	Stödben för hjul – bak (× 1)
39	Bottenhylla (× 1)
40	Lås- och svängbart hjul (× 2)
41	Hjul (× 2)

Delnr	Beskrivning
A	Skruv (x 37)
B	Bricka (x 16)
C	Låsbricka (x 16)
D	Skruv (x 4)
E	Saxsprint till hjul (× 2)
F	Bricka till hjul (× 2)
G	Sprint till hjulaxel (× 2)
H	Batteri (x 1)



OBS! Till följd av kontinuerlig produktutveckling kan delar bytas för enheten utan föregående meddelande.

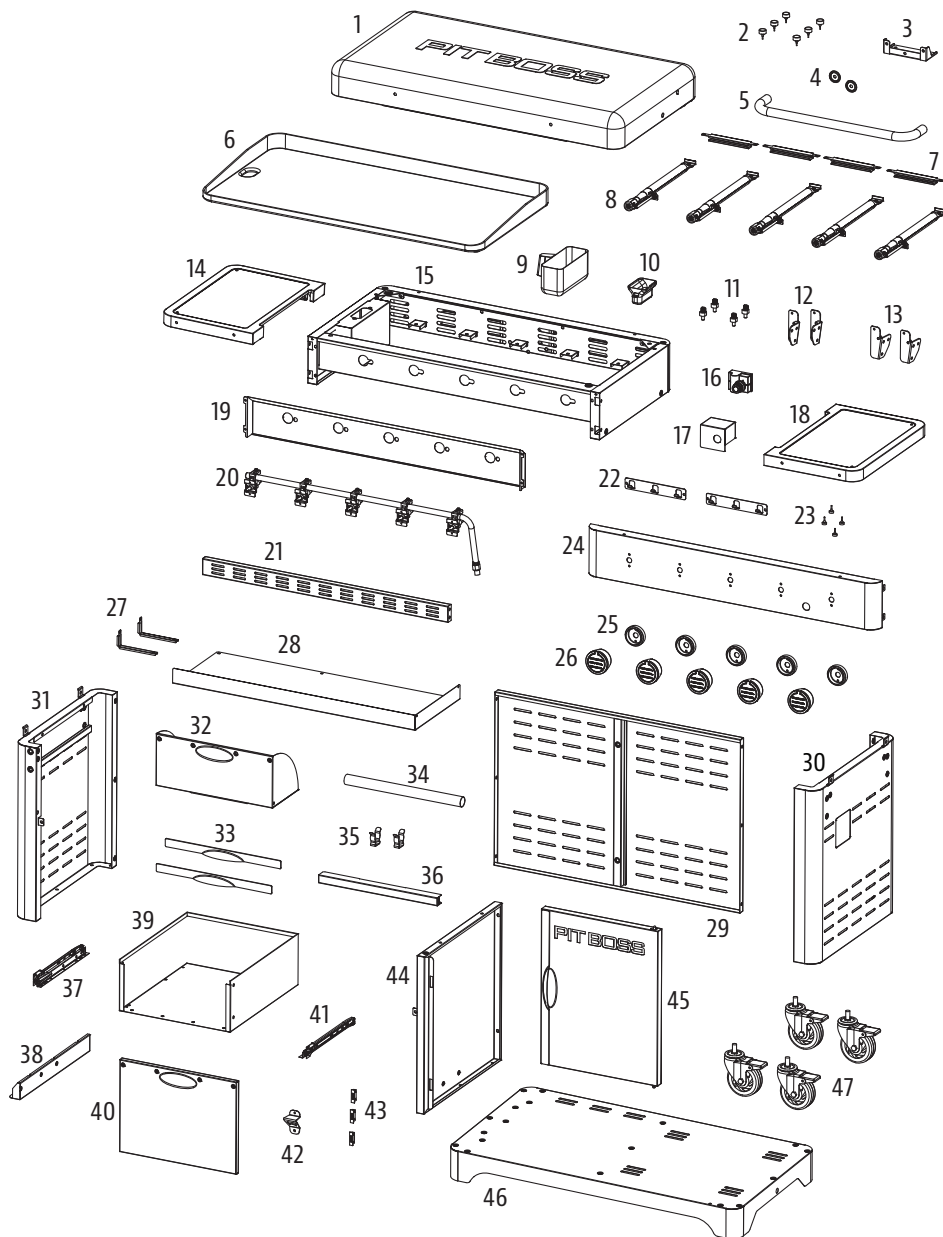
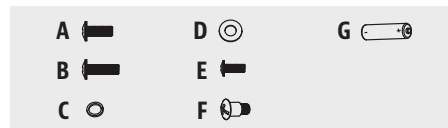
SE

SVENSKA

# PB5BGD2

Delnr	Beskrivning
1	Lock (× 1)
2	Gummi till lockstöd (× 6)
3	Lockstöd (× 1)
4	Lockhandtagets infattning (× 2)
5	Lockhandtag (× 1)
6	Kokplatta (× 1)
7	Tvärstag brännare (x4)
8	Brännare (× 5)
9	Fettkopp (× 1)
10	Fettavrinning (× 1)
11	Skrudar till kokplatta (× 4)
12	Sidohyllkonsol - vänster (× 2)
13	Sidohyllkonsol - höger (× 2)
14	Sidohylla - vänster (× 1)
15	Eldstadsenhet (× 1)
16	Tändare (x 1)
17	Värmeskydd till tändare (× 1)
18	Sidohylla - höger (× 1)
19	Främre värmeskydd (× 1)
20	Ventilenhet (× 1)
21	Vagnens frontpanel (× 1)
22	Krokpanel för sidohylla (× 2)
23	Gummi till sidohylla (× 4)
24	Kontrollpanel till eldstad (× 1)
25	Bas för reglage (× 5)
26	Reglage (x5)
27	Fäste för värmeskydd (× 2)
28	Panel för värmeskydd (× 1)
29	Vagnens bakpanel (× 1)
30	Vagnens sidopanel - höger (× 1)
31	Vagnens sidopanel - vänster (× 1)
32	Utfällbar låda (× 1)
33	Lådhandtag (× 2)
34	Pappershandduktång (x1)
35	Stoppblock (× 2)
36	Stödstång till låda (× 1)
37	Lådskenor - vänster (× 1)
38	Fäste för skena (× 1)
39	Låda (× 1)
40	Lådfront (× 1)
41	Lådskenor - höger (× 1)
42	Flasköppnare (× 1)
43	Magnetiskt fäste (× 3)
44	Avdelare för vagn (× 1)
45	Skåpdörr (× 1)
46	Vagnens undersida (× 1)
47	Lås- och svängbart hjul (x4)

Delnr	Beskrivning
A	Skruv (x 54)
B	Skruv (x 2)
C	Låsbricka (x 14)
D	Bricka (x 14)
E	Skruv (x 14)
F	Skruv (x 6)
G	Batteri (x 1)



OBS! Till följd av kontinuerlig produktutveckling kan delar bytas för enheten utan föregående meddelande.

# GARANTI

## VILLKOR

Alla gasolhållar från Pit Boss® Grills, tillverkade av Dansons, levereras med en begränsad garanti från säljdatumet som gäller för den ursprungliga ägaren. Garantin börjar gälla på det ursprungliga inköpsdatumet och det krävs bevis på inköpsdatumet, eller en kopia av det ursprungliga försäljningskvittot, för att bekräfta garantin. Kunderna ansvarar för kostnaden för reservdelar och frakt samt hantering om de inte kan visa upp ett inköpsbevis eller om garantin har upphört att gälla. Dansons ger två (2) års garanti mot defekter och utförande på alla delar. Dansons garanterar att alla delar är fria från defekter i material och utförande, under hela användningsperioden och den ursprungliga köparens ägandeperiod. Garantin omfattar inte skador till följd av slitage, till exempel repor, bucklor, flisor eller mindre kosmetiska sprickor. Dessa estetiska förändringar av hällen påverkar inte dess prestanda. Reparation eller byte av någon del sträcker sig inte längre än den begränsade garanti som gäller i två (2) år från inköpsdatumet.

Under garantiperioden ska Dansons skyldighet begränsas till att tillhandahålla ersättning för defekta och/eller felaktiga komponenter. Under garantiperioden debiterar Dansons inte för reparation eller byte av återlämnade delar, med förbetald frakt, om delarna har visat sig vara felaktiga vid undersökningen. Dansons ansvarar inte för transportkostnader, arbetskostnader eller exporttullar. Med undantag för vad som anges i dessa garantivillkor ska reparation eller byte av delar på det sätt som nämnts tidigare utgöra uppfyllandet av Dansons alla direkta och härledda ansvar och skyldigheter gentemot dig. Dansons vidtar alla åtgärder för att använda material som är motståndskraftiga mot rost. Även med dessa skyddsåtgärder kan skyddsbeläggningarna äventyras av olika ämnen och förhållanden utanför Dansons kontroll. Höga temperaturer, överdriven luftfuktighet, klor, industriella ångor, gödselmedel, bekämpningsmedel och salt är några av de ämnen som kan påverka metallbeläggningar. Av dessa skäl täcker garantin inte rost eller oxidering, såvida inte strukturen på hållkomponenterna förloras. Läs avsnittet om skötsel och underhåll för att förlänga enhetens livslängd om något av ovanstående inträffar. Dansons rekommenderar användning av ett skyddande överdrag när hällen inte används.

Denna garanti är baserad på normalt hushållsbruk och service av hällen och ingen begränsad garanti gäller för en häll som används kommersiellt.

## UNDANTAG

Det finns ingen skriven eller underförstådd funktionsgaranti på Pit Boss® Grills produkter, då tillverkaren inte har någon kontroll över installationen, användandet, rengöringen, underhållet eller vilken typ av bränsle som används. Garantin upphör att gälla och Dansons bär inget ansvar om din apparat inte har installerats, använts, rengjorts och underhållits i strikt överensstämmelse med denna bruksanvisning. All användning av gas som inte anges i denna bruksanvisning kan upphäva garantin. Garantin täcker inte delar som skadats eller gått sönder till följd av felaktig användning, felaktig hantering eller modifieringar. Varken Dansons eller auktoriserade Pit Boss® Grills-återförsäljare ansvarar, rättsligt eller på annat sätt, för indirekt skada eller följdskada på egendom eller personer som uppstår till följd av användningen av den här produkten. Oavsett om det görs anspråk på Dansons baserat på brott mot denna garanti eller någon annan typ av garanti som är uttryckt eller underförstådd enligt lag, ska tillverkaren under inga omständigheter hållas ansvarig för några särskilda skador, indirekta skador, följdskador eller andra skador av någon annan typ som övergår värdet på det ursprungliga köpet av denna produkt. Alla garantier från tillverkaren anges häri och inga anspråk ska riktas mot tillverkaren avseende någon garanti eller utfästelse. Vissa länder tillåter inte uteslutning eller begränsning av indirekta skador eller följdskador eller begränsningar av underförstådda garantier, så de begränsningar eller undantag som anges i denna begränsade garanti kanske inte gäller dig. Denna begränsade garanti ger dig specifika lagliga rättigheter, och du kan ha andra rättigheter som varierar mellan olika stater.

## BESTÄLLA RESERVDELAR

Om du vill beställa reservdelar kontaktar du en lokal Pit Boss® Grills-återförsäljare eller besöker vår onlinebutik på: [www.pitboss-grills.com](http://www.pitboss-grills.com)

## KONTAKTA KUNDTJÄNST

Om du har några frågor eller problem kan du kontakta kundtjänst på: [www.pitboss-grills.com](http://www.pitboss-grills.com)

## GARANTISERVICE

Kontakta närmaste Pit Boss® Grills-återförsäljare för reparation eller reservdelar. Dansons ställer krav på inköpsbevis vid hantering av garantianspråk. Spara därför originalkvittot eller fakturan för framtida referens. Du hittar serie- och modellnummer för din Pit Boss®-produkt direkt på enheten. Skriv ner och spara numren nedan, eftersom etiketten kan nästas eller på annat sätt bli oläslig.

---

MODELL

---

SERIENUMMER

---

INKÖPSDATUM

---

AUKTORISERAD ÅTERFÖRSÄLJARE

SE

SVENSKA

## OHUTUSTEAVE

# SEADMETE TULEKAHJUDE PEAMISED PÕHJUSED ON HALB HOOLDUS JA TULEOHTLIKE MATERJALIDE HOIDMINE EBAPIISAVAL KAUGUSEL. ON ÄÄRMISELT TÄHTIS, ET SEDA TOODET KASUTATAKSE AINULT VASTAVALT JÄRGMISTELE JUHISTELE.

Enne toote kokkupanemist, kasutamist või paigaldamist lugege kogu see juhend läbi ja tehke see endale selgeks. See tagab teie uue kaasaskantava gaasiküpsetusplaadi kõige nauditavama ja muretuma kasutamise. Samuti soovitame teil see juhend edaspidiseks kasutamiseks alles hoida.

### PROPAANGAASI HOIATUSED



#### OHT!

- Kui tunnete gaasi lõhna, tehke järgmist.
- Katkestage seadme gaasivarustus.
- Kustutage lahtine leek.
- Avage kaas.
- Kui lõhn ei kao, hoidke seadmest eemale ja helistage kohe gaasitarnijale või tuletõrjesse.



#### HOIATUS!

- Ärge hoidke ega kasutage bensiini või muid kergestisüttivaid vedelikke või aure selle või mis tahes muu seadme läheduses.
- Veeldatud naftagaasi (LPG) ballooni, mida pole kasutamiseks ühendatud, ei tohi hoida selle või mis tahes muu seadme läheduses.
- TKasutamiseks vajate täpselt täidetud standardset G30/ G31 grillile mõeldud välise keermeventiiliga vedelpropaani (LP) gaasiballooni. Ballooni maksimaalne läbimõõt on 300 mm (11,8 tolli) ja kõrgus 600 mm (23,6 tolli).

- Ostke gaasiballoon kindlasti tuntud tarnijalt. Valesti täidetud või ületäidetud LPG-balloon võib olla ohtlik. Kui ballooni on ületäidetud ja see soojeneb (nt kuumal suvepäeval päikese käes), võib hakata gaasi lekkima, kuna temperatuuritõusu tagajärjel gaas paisub. Ballooni väljuv gaas on tuleohtlik ja võib plahvatada.
- Ärge kasutage LPG-ballooni, kui selle ventiil on kahjustatud või sellel esineb märke, muhke, põlemisjälgi, korrosiooni, lekkeid või muid visuaalseid kahjustusi. Selline ballooni võib olla ohtlik ja laske seda viivitamatult veeldatud propaani tarnijal kontrollida.

**Kui tunnete gaasilõhna või kuulete ballooni väljuva gaasi sisisevat heli, ärge proovige seadet süüdata. Kustutage lahtine leek. Lahutage seadme gaasivarustus.**

- Ärge ühendage ega lahutage gaasiballooni, kui seadet kasutatakse või see on alles kuum. Kui küpsetusplaati ei kasutata, veenduge, et regulaator oleks keeratud asendisse OFF (väljas), ja ühendage gaasiballoon lahti. Ärge teisaldage ega transportige seadet, kui gaasiballoon on ühendatud. Ärge hoidke varu LP-gaasiballooni seadme all ega selle lähedal.

4. Balloone tuleb hoida õues lastele kättesaamatus kohas ja neid ei tohi hoiustada hoones, garaažis või muus suletud ruumis.
5. Ärge takistage selle seadme põlemis- ja ventilatsiooniõhu voolu. Hoidke põleti toru ja avad puhtad ning prahivabad. Enne kasutamist puhastage. Seadme kasutusea pikendamiseks on vajalik regulaarne hooldus ja korrashoid.
6. Regulaatori ühendamisel gaasiballooniga või selle lahtiühendamisel tuleb alati kontrollida võimalikke gaasilekkeid, eelkõige pärast (nt talvist) hoiustamisperioodi. Kontrollige kõiki ühendusi seebivee ja harjaga lekete suhtes. Ärge kunagi kasutage lekete kontrollimiseks lahtist tuld.
7. Puhastage ja kontrollige gaasiregulaatorit iga kord enne välitingimustes kasutatava gaasküttega küpsetusseadme kasutamist. Kui gaasiregulaatoril on märke kulumisest või kahjustustest, asendage see enne seadme kasutamist.
8. Kasutage seadmega ainult veeldatud naftagaasi, mis on märgitud ka seadme andmesildile. Ärge proovige kasutada grilliga teisi gaase. Ärge proovige seda LPG-seadet maagaasiseadmeks ümber ehitada. Selle hoiatuse eiramine võib põhjustada tulekahju ja tekitada kehavigastusi ning tühistab garantii.
9. Põletitoru asukoht ava suhtes on ohutuks tööks ülioluline. Enne gaasivõrgu kasutamist kontrollige, kas ava on põletitoru sees. Kui põletitoru ei sobi ventiili ava kohale, võib põleti süütamine põhjustada plahvatuse ja / või tulekahju.

## OHUD JA HOIATUSED

**Vajalike lubade, missiooni või teabe saamiseks paigalduspiirangute kohta, nagu näiteks mis tahes grilli paigaldamise kohta põlevale pinnale, ülevaatusnõuete või isegi kasutamisevõimaluste kohta, peate pöörduma kohaliku omavalitsuse, oma piirkonna ehitus- või tuletõrjemetnike või pädeva asutuse poole.**

1. Tuleohtlike konstruktsioonide kaugus küpsetusplaadi külgedest peab olema vähemalt 1270 mm (50 tolli) ja tagaosast 1270 mm (50 tolli). **Ärge paigaldage seadet tuleohtlikele põrandatele ega tuleohtlike katetega kaetud põrandatele, välja arvatud juhul, kui pädevad asutused on seda lubanud.** Ärge kasutage seda seadet siseruumides, suletud või ventilatsioonita piirkonnas, kodudes, sõidukites, telkides ega garaažides. Seda LP-gaasil töötavat küpsetusplaadiseadet ei tohi asetada tuleohtliku lae ega katuse alla. Hoidke küpsetusplaati kohas, kus ja mille läheduses puuduvad tuleohtlikud materjalid, bensiin ning muud tuleohtlikud aurud ja vedelikud.

**Om en fettbrand skulle uppstå ska du sätta grillen i OFF-läget tills elden har slocknat. Häll inte på vatten. Försök inte att kväva elden. Det är rekommenderat att placera en brandsläckare i klass ABC på plats. Om en okontrollerad brand uppstår, ring brandkåren.**

2. See väligrill ei ole mõeldud paigaldamiseks vagunelamusse või lõbusõidulaevadele.

**Ärge kasutage seda seadet suletud ruumis, näiteks haagisuvilas, telgis, autos, paadis või hoones. See seade pole ette nähtud ja seda ei tohi kunagi kasutada kütteseadmena.**

3. Seda seadet ei soovitata kasutada lastel ega isikutel, kellel on piiratud füüsilised, sensoorsed või vaimsed võimed või kellel puuduvad kogemused ja teadmised, välja arvatud nende ohutuse eest vastutava isiku otsese järelevalve all või juhendamisel.
4. Grilli osad võivad olla väga kuumad ja tekitada raskeid vigastusi. Hoidke väikelapsed ja lemmikloomad kasutamise ajal eemal. Ärge puudutage kuumi pindu. Kasutage alati kuumuskindlaid kindaid, pika varrega tange või ahjukindaid, kuna grill muutub väga kuumaks.
5. Ärge kunagi kasutage grilli, kui rasvanõu ei ole tulekarbi alla paigaldatud. Rasvanõuta võivad kuum rasv ja praht maha langeda ja tulekahjuohtu põhjustada.

## SÜSINIKMONOOKSIID (NN VAIKNE TAPJA)

Kasutage gaasiseadet alati välitingimustes avatud alal, kus on hea ventilatsioon, et vältida põlevast või lekkivast gaasist tingitud mürgiste aurude sissehingamist. Süsinikmonooksiid on värvitu, lõhnatu ja maitsetu gaas, mis tekib gaasi, puidu, propaani, söe või muu kütuse põletamisel. Süsinikmonooksiid vähendab vere võimet siduda hapnikku. Väike hapnikusaldus veres võib põhjustada peavalu, pearinglust, nõrkust, iiveldust, oksendamist, unisust, segasust, teadvusekaotust või surma. Järgige neid juhiseid, et see värvitu ja lõhnatu gaas ei mürgitaks teid, teie perekonda ega teisi inimesi.

- Pöörduge arsti poole, kui teil või kellelgi teisel tekivad toiduvalmistamise ajal või seadme läheduses olles külmetuse või gripilaadsed sümptomid. Süsinikmonooksiidimürgistus, mille võib kergesti segi ajada külmetuse või gripiga, avastatakse sageli liiga hilja.
- Alkohol ja narkootikumid suurendavad süsinikmonooksiidimürgistuse mõju.

Süsinikmonooksiid on eriti mürgine emale ja lapsele raseduse ajal, imikutele, eakatele, suitsetajatele ning inimestele, kellel on probleeme vere- või vereringesüsteemiga, näiteks aneemia või südamehaigus.

## OHUTUSLOEND

Kooskõlas Conformité Européenne'i (CE) menetluste ja spetsifikatsioonidega tõendab Pit Boss® Grills katsete tegemise kaudu gaasiseadmete vastavust kõigile Euroopa Liidu (EL) ning Euroopa Majanduspiirkonna (EMP) ohutus-, tervise- ja keskkonnakaitsenõuete standarditele ning direktiividele.



	SOOJUSSISEND	PÕLETITE ARV		PÕLETI TÜÜP	SISSEPRITSEAVA SUURUS	GAAS/RÕHK	KASUTUSRIIK
		SIRGE PÕLETI	P-PÕLETI				
<b>PB2BGD2</b>	7,63 KW G30 – 555 g/h G31 – 545 g/h	1	1	SIRGE PÕLETI	0,8 mm	G30, 28–30 mbar G31, 37 mbar G30/G31 segu, 30 mbar	<b>I3+ (28-30/37) :</b> BE, CH, CY, CZ, ES, FR, GB, GR, IE, IT, LT, LU, LV, PT, SK, SI  <b>I3B/P (30) :</b> BE, CY, DK, EE, FR, GB, HU, IT, LT, NL, NO, SE, SI, SK, RO, HR, TR, BG, IS, LU, MT, FI  <b>I3B/P (37) :</b> PL  <b>I3B/P (50) :</b> AT, DE, SK, CH
<b>PB3BGD2</b>	10,5 KW G30 – 768 g/h G31 – 755 g/h	2	1		0,75 mm	G30/G31 segu, 37 mbar	
<b>PB4BGD2</b>	13,49 KW G30 – 982 g/h G31 – 964 g/h	3	1	P-PÕLETI	0,72 mm	G30/G31 segu, 50 mbar	
<b>PB5BGD2</b>	14,65 KW G30 – 1066 g/h G31 – 1047 g/h	5	0		1,02 mm	G30, 28–30 mbar G31, 37 mbar G30/G31 segu, 30 mbar	
					0,97 mm	G30/G31 segu, 37 mbar	
				0,93 mm	G30/G31 segu, 50 mbar		





## AUTORIÕIGUSE TEATIS

Autoriõigus 2021. Kõik õigused kaitstud. Ühtegi selle juhendi osa ei tohi mingil kujul ega viisil kopeerida, edastada, transkribeerida ega salvestada ilma sellekohase kirjaliku loata

### **DANSONS EUROOPA**

11 Rue Galvani Pariis, Prantsusmaa 75017

### **DANSONS PÕHJA-AMEERIKA**

3411 North 5th Avenue, Suite 500, Phoenix, AZ, USA 85013

### KLIENDITEENINDUS

[www.pitboss-grills.com](http://www.pitboss-grills.com)

## SISUKORD

Ohutusteave .....	202
<b>Gaasivarustusega ühendamine</b>	
Gaasiballooni nõuded .....	206
Gaasiühenduse paigaldamine kollektori külge .....	206
Gaasiballooni ühendamine .....	207
Kasutuseelne ettevalmistus – lekkek kontroll .....	208
Gaasiballooni lahtiühendamine .....	208
<b>Kasutusjuhised</b>	
Küpsetusplaadi keskkond .....	209
Esimene kasutuskord – küpsetusplaadi puhtakspõletamine .....	210
Süütamistoimingud .....	210
Käsitsi süütamise toimingud .....	211
Küpsetusplaadi väljalülitamine .....	211
Küpsetusplaadi tõstmine kärult maha .....	212
Prügikotihoidiku kasutamine .....	213
Korrashoid ja hooldus .....	214
Näpunäited ja tehnikad .....	215
Tõrkeotsing .....	216
Varuosad .....	217
Garantii .....	221

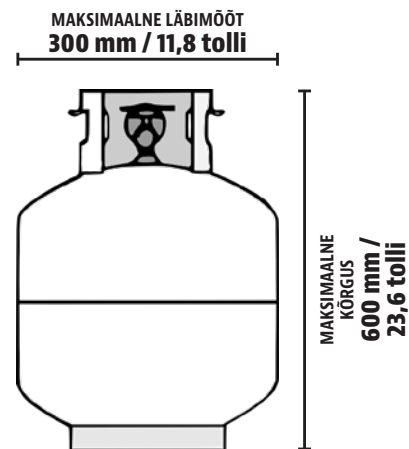
# GAASIVARUSTUSEGA ÜHENDAMINE

## GAASIBALLOONI NÕUDED

Kasutamiseks vajate täpselt täidetud standardset G30/G31 grillile mõeldud välise keermeventiiliga vedelpropaani (LP) gaasiballooni. Kasutage standardset painduvat voolikut pikkusega alla 1,5 m (59 tolli). Voolik peab paigaldamisjärgseks kontrolliks olema kogu pikkuses nähtav.

Ballooni maksimaalne läbimõõt on 300 mm (11,8 tolli) ja kõrgus 600 mm (23,6 tolli), nagu joonisel näidatud.

**ETTEVAATUST!** Grilli ohutuks ja tõhusaks kasutamiseks peab teil olema nõuetekohane regulaator vastavalt standardile EN16129 ja balloon. Vale või vigase regulaatori kasutamine on ohtlik ning muudab kõik garantiid kehtetuks. Oluline on kontrollida voolikut kogu pikkuses. Kui voolikul on märke kulumisest või kahjustustest või sellel on sisselõikeid, tuleb voolik enne seadme kasutamist välja vahetada.



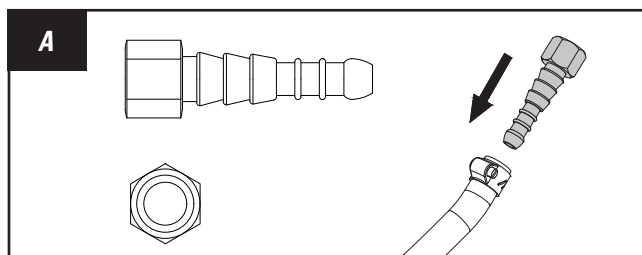
## GAASIÜHENDUSE PAIGALDAMINE KOLLEKTORI KÜLGE

Olenevalt ostukohast ja -riigist ei pruugi kõik edasimüüjad müüa küpsetusplaati koos regulaatoriga. Seadmega on kaasas kollektori üleminekukomplekt, kui gaasiregulaatorit ei ole eelmonteeritud. Valige kaasasolevast kollektori üleminekukomplektist oma gaasikollektori ja regulaatori vooliku jaoks sobiv liitmik. Gaasiliitmiku paigaldamiseks tõstke küpsetusplaat kärult maha või ühendage lahti. Asetage küpsetusplaat tagurpidi papitükile, et vältida seadme kriimustamist või kahjustamist.

- **LIITMIK A – KOONUSJAS**

Sisestage liitmiku koonusjas ots regulaatori voolikusse, seejärel lukustage tihedalt voolikuklambri abil.

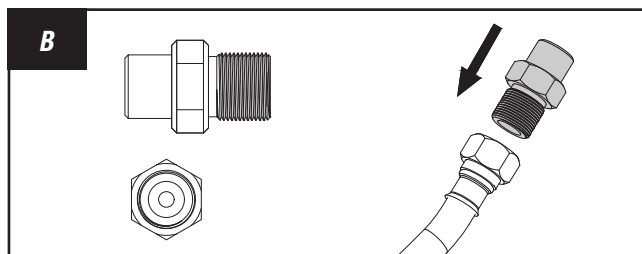
Vt joonist A.



- **LIITMIK B – KEERMESTATUD**

Keerake isasliitmiku keermeots regulaatori vooliku keermeotse sisse. Keerake tugevalt kinni.

Vt joonist B.



Jätkake gaasiballooni paigaldamise järgmise etapiga. Ärge küpsetusplaati kärule tagasi tõstke.

## GAASIBALLOONI ÜHENDAMINE

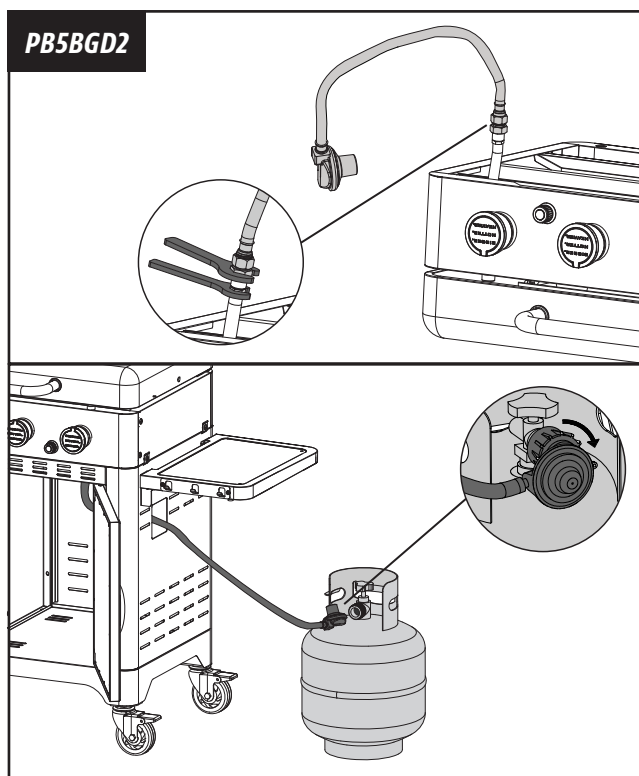
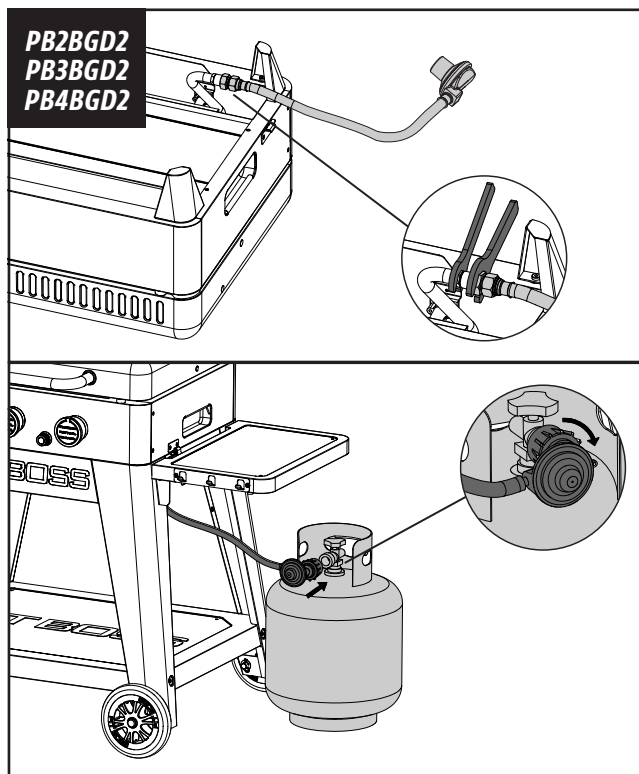
**TÄHTIS!** Kui kollektor vajab liitmikku, järgige enne seadme ühendamist gaasiballooniga liitmiku paigaldusjuhiseid.

Enne ühendamist veenduge, et gaasiballoonis peas, regulaatori ventiili peas ega põleti peas ja põletiavades ei oleks prahti.

1. Kui regulaator on eelmonteeritud, jätkake järgmise etapiga.  
Kui paigaldatud on kaasasolevast kollektori ülemine-kukomplektist võetud liitmik, ärge tõstke küpsetusplaati regulaatori paigaldamiseks kärule tagasi. Ühendage regulaatori voolik küpsetusplaadi kollektoriga, keerates selle mutrivõtme abil lõpuni kinni. Kui regulaator ja regulaatori voolik on paigaldatud, paigaldage küpsetusplaat kärule tagasi. Kui küpsetusplaat on kärule tagasi paigaldatud, veenduge, et regulaatori voolik ei oleks väändunud ega muul moel kokku pressitud.
2. Kapiga küpsetusplaadi korral tõmmake regulaator ja regulaatori voolik läbi käru parempoolses seinas oleva ava.
3. Paigutage käru parema külje kõrvale gaasiballoon. Veenduge, et gaasiballoonis ventiil oleks SULETUD asendis. Oluline on tagada, et gaasiballoon oleks täiesti püstiasendis, kuna küpsetusplaadi kasutamine on ohtlik, kui gaasiballoon ei ole korralikult loodis ega stabiilsel pinnal.
4. Veenduge, et küpsetusplaadil olevad juhtnupud oleks täielikult kinni keeratud, keerates need päripäeva asendisse 0 (väljas).
5. Eemaldage regulaatori ventiili avalt ja gaasiballoonilt kaitsekatted. Hoidke need alles.
6. Sisestage gaasiballoonis ventiil regulaatori ventiili keermetatud avasse. Keerake kiirliitmiku mutrit päripäeva, kuni see on tugevalt kinni. Keerake ainult käega.
7. Gaasiballoonis on nüüd paigaldatud. Tehke lekkekontroll.

**HOIATUS!** Kui tunnete gaasilõhna, sulgege gaasiballoon. Proovige gaasiballoon uuesti paigaldada, veendumaks, et toru on korralikult ühendatud. Tehke lekkekontroll.

**MÄRKUS.** Gaasi normaalne vool läbi regulaatori ja vooliku koostu võib tekitada sumisevat heli. Vaikne heli on täiesti normaalne ja see ei sega küpsetusplaadi kasutamist. Valju sumina korral võib olla vaja gaasivoolikust õhk välja lasta või regulaatori liigse gaasivoolu seade lähtestada. Seda ohutustoimingut tuleks teha iga kord, kui küpsetusplaadiga ühendatakse uus LP-gaasiballoon.



## KASUTUSEELNE ETTEVALMISTUS – LEKKEKONTROLL

Lekkekontrolli tehakse tihendi lekkekindluse kontrollimiseks. Tehke enne gaasigrilli kasutamist regulaatori ja gaasiballooni ühenduse lekkekontroll, et minimeerida tulekahju- või plahvatusohtu, mis võib tekitada raskeid või eluohtlikke kehavigastusi. Lekkekontroll tuleb teha vähemalt kord hooaja jooksul ja lisaks järgmistel juhtudel:

- enne grilli esmakordset süütamist,
- iga kord, kui gaasiballoon vahetatakse,
- pärast transportimist, eelkõige halbadel ja künklikel teedel,
- pärast pikaajalist hoiustamist või kasutuspausi.

### KUIDAS TEHA LEKKEKONTROLLI?

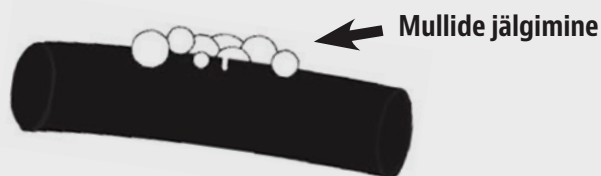
#### Vajalikud vahendid

1 x Kauss (*tühi ja puhas*)

1 x Värvipintsel (*puhas*)

Nõudepesuvedelik

Vesi



#### Tehke järgmist.

1. Paigutage grill hea ventilatsiooniga kohta. Veenduge, et grill oleks täiesti jahtunud ja seda ei kasutataks. Veenduge, et regulaatori ventiil oleks keeratud asendisse OFF (Väljas) ja gaasiballoon oleks tugevalt regulaatori külge kinnitatud.

**TÄHTIS! Veenduge, et läheduses ei oleks lahtist tuld ega suitsetajaid.**

2. Segage kausis üks osa vett ühe osa nõudepesuvahendiga. Lahus hakkab mullitama, kuna see on kontsentreeritud.
3. Kandke lahus värvipintsliga tihendile regulaatori ja gaasiballooni vahel. Kontrollige visuaalselt, kas tihendis on mõni defekt või kahjustus, mis mullitab.

**MÄRKUS. Lekke korral korrake gaasiballooni paigaldustoimingut, kuid ärge keerake liiga tugevalt kinni. Keerake ainult käega. Korrake lekkekontrolli pärast uuesti paigaldamist ja veenduge, et tihend oleks terve.**

**TÄHTIS! Ärge kasutage gaasigrilli, kui tuvastate gaasilekke, mida ei saa lekkekontrolli abil kõrvaldada. Ohutuse tagamiseks ja alternatiivsete kontrollimeetmete kohta küsimiseks võtke ühendust kohaliku tuletõrje või klienditeenindusega.**

## GAASIBALLOONI LAHTIÜHENDAMINE

1. Veenduge, et grillil olev juhtnupp oleks täielikult suletud, keerates nupu päripäeva asendisse OFF (Väljas). Keerake LP-gaasiballooni ventiil asendisse CLOSED (Suletud) ja laske regulaatori nupul välja tulla.
2. Regulaatori ventiili avast lahutamiseks keerake ballooni ventiili (käega) vastupäeva. Paigaldage regulaatori ventiili avale ja gaasiballoonile kaitsekatted tagasi (kui balloon pole tühi).

**TÄHTIS! Om grillen förvaras inomhus ska gasolflaskan lämnas utomhus.**

**HOIATUS. Ärge transportige grilli, kui gaasiballoon on ühendatud. Balloon võib ventiili küljest lahti tulla ja põhjustada gaasilekke, mis võib omakorda põhjustada plahvatus, tulekahju või raske kehavigastuse. Enne transportimist või hoiustamist lahutage esmalt gaasiballoon. Kui hoiustate grilli siseruumis, jätke gaasiballoon õue.**

## KÜPSETUSPLAADI KESKKOND

### 1. *KUHU GRILL ÜLES SEADA?*

Kõigi välisseadmete puhul mängivad ilmastikutingimused suurt rolli teie küpsetusplaadi töös ja küpsetusaegade valikus, mis on vajalikud täiuslike roogade valmistamiseks. Tuleohtlike konstruktsioonide kaugus Pit Boss® Grillsi seadmetest peab olema vähemalt 1270 mm (50 tolli) ja seda kaugust tuleb seadme kasutamisel hoida. Seda seadet ei tohi asetada tuleohtliku lae ega katuse alla. Hoidke oma küpsetusplaati kohas, kus puuduvad tuleohtlikud materjalid või muud tuleohtlikud aarud ja vedelikud.

### 2. *KÜPSETAMINE KÜLMA ILMAGA*

Kui õues muutub ilm jahedamaks, ei tähenda see, et grillimishooaeg on läbi. Karge jahe õhk ja grilltoitude jumalik aroom aitavad peletada talvist nukrust. Järgige neid soovitusi oma grilli nautimiseks jahedamatel kuudel.

- Korraldamine – enne õue suundumist seadke kõik vajalik köögis valmis. Talvel viige grill varju tuule ja otsese külma eest. Kontrollige kohalikke norme, mis käsitlevad teie grilli kaugust teie majast ja/või muudest tarinditest. Pange kõik vajalikud ajad alusele, siduge kokku ja tehke see ära!
- Välistemperatuuri jälgimiseks pange välitermomeeter oma küpsetusala lähedusse. Pidage päevikut või registreerige küpsetisi, välistemperatuuri ja küpsetusaega. See aitab teil hiljem otsustada, mida küpsetada ja kui kaua see võtab aega.
- Pange soojendatud vaagen või roakate valmis, et hoida oma toit soojana, kui käite vahepeal ära.

### 3. *KÜPSETAMINE KUUMA ILMAGA*


Kui ilm soojeneb, siis küpsetusaeg lüheneb. Järgige alltoodud soovitusi oma grilli nautimiseks soojadel kuudel.

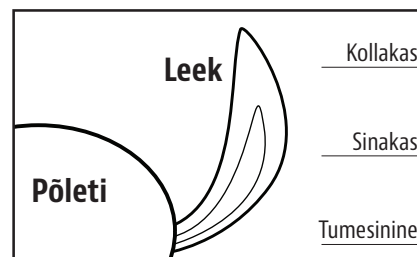
- Reguleerige küpsetustemperatuur madalamale. See aitab vältida soovimatuid leegitsusi.
- Toidu sisetemperatuuri mõõtmiseks kasutage lihatermomeetrit. See aitab vältida liha üleküpsetamist ja kuivamist.
- Saate toitu soojas hoida, kui pakite selle fooliumisse ja asetate isoleeritud jahutusasti. Mähkige fooliumisse pakitud toidu ümber ajalehpaber – see hoiab toitu soojana 3 kuni 4 tundi.

## ESIMENE KASUTUSKORD – KÜPSETUSPLAADI PUHTAKSPÕLETAMINE

Enne seda, kui hakkate oma küpsetusplaadil esimest korda küpsetama, on oluline teha puhtakspõletamine. Puhtakspõletamiseks süüdate küpsetusplaat ja käitage seda vähemalt 15 minutit kõrgel (HIGH) kuumusel. See puhastab sisekomponendid kuumusega ning kõrvaldab lõhnad ja võõrkehad.

### SÜÜTAMISTOIMINGUD

1. Süütamise ajal avage kaas.
2. Keerake kõik juhtnupud asendisse O.
3. Avage balloon/gaasiventil balloonil olevate kasutusjuhiste järgi.
4. Vajutage põleti juhtnupp alla ja keerake seda vastupäeva asendisse  (süüteasend).
5. Vajutage süüteseadme nuppu, kuni põleti süttib.
6. Kui tuli 5 sekundi jooksul ei sütti, keerake ventiil asendisse O, oodake 5 minutit ja korrake süütamistoimingut. Pärast süütamist kontrollige põleti leeki ja veenduge, et kõik põletiavad oleksid süttinud ning leegi kõrgus vastaks joonisel näidatule.
7. Kui ülaltoodud punktid ei toimi, järgige jaotise „**Käsitsi süütamise toimingud**“ juhiseid.



**Kui põleti tuli kustub seadme kasutamise ajal, keerake juhtnupud asendisse O (väljas). Oodake enne uuesti süütamist viis minutit, et kogunenud gaas saaks hajuda.**

### TOIMINGUD SÜÜTAMISE NURJUMISE KORRAL

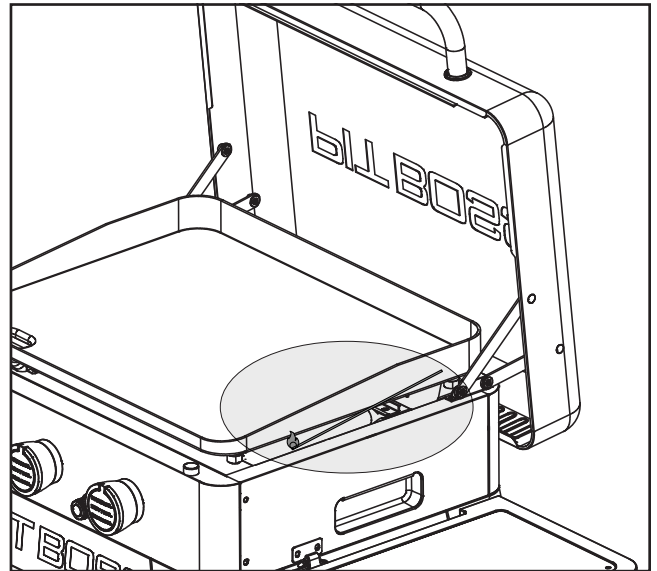
**Kui mingil põhjusel süüteseadme kolme/nelja katsega tuld ei süüta, kontrollige järgmist või käivitage grill käsitsi.**


1. Veenduge, et juhtnupud oleksid seatud asendisse OFF (Väljas). Laske kogunenud gaasil hajuda.
2. Viie minuti pärast kontrollige järgmist.
  - Veenduge visuaalselt süüteseadme töös, vajutades süüteseadme nuppu ja vaadates, kas süüteseadme ots tekitab sädeme. Kui sädet ei teki, seadke süüteseadme (elektroodi) otsa ja põleti vahekaugus väärtusele 4,5 mm (3/16 tolli).
  - Veenduge visuaalselt, et põleti toru ja avad ei oleks blokeeritud. Kui on, järgige jaotise „Korrashoid ja hooldus“ juhiseid.
3. Kui ülaltoodud punktid ei toimi, järgige jaotise „**Törkeotsing**“ juhiseid.

## KÄSITSI SÜÜTAMISE TOIMINGUD

1. Süütamise ajal avage kaas.
2. Keerake kõik juhtnupud asendisse O.
3. Avage balloon/gaasiventiil balloonil olevate kasutusjuhiste järgi.
4. Süüdake põleti kiiresti ja ettevaatlikult pika tikku või pika otsaga tulemasinaga. Lähenege põletile kuumutusplaadi alt. Asetage süüdatud tikk põleti külje juurde.

**TÄHELEPANU!** Ärge proovige süüdata põleti muud piirkonda. See võib tekitada vigastusi.



5. Vajutage põleti juhtnupp alla ja keerake seda vastupäeva asendisse  (süüteasend) ning hoidke nuppu pärast põleti süttimist 10 sekundit allavajutatuna. Kuulete sädeme tekitamise plöksuvat heli kuni nupu vabastamiseni.

**MÄRKUS.** Ärge kasutage küpsetusplaadis tule süütamiseks ja suurendamiseks piiritust, süütevedelikku ega petrooleumi.

6. Kui põleti 5 sekundi jooksul ei sütti, keerake põleti juhtnupp asendisse O, oodake 5 minutit ja korrake süütamistoimingut. Pärast süütamist kontrollige põleti leeki ja veenduge, et kõik põletiaavad oleksid süttinud ja leegi kõrgus vastaks eelmisel joonisel näidatule.

**MÄRKUS.** Iga põleti tuleb süüdata eraldi, korrake teiste põletite puhul samu etappe.

**HOIATUS!** Gaasiga küpsetusplaadi süütamisel ei tohi kunagi küpsetusala kohale kummarduda. Küpsetusplaadi tikuga süütamisel hoidke nägu ja käed küpsetusresti pinnast ohutul kaugusel (vähemalt 457 mm / 18 tolli).

7. Kui ülaltoodud punktid ei toimi, järgige jaotise „*Törkeotsing*“ juhiseid.

## KÜPSETUSPLAADI VÄLJALÜLITAMINE

1. Kui olete küpsetamise lõpetanud, keerake gaasiballooni ventiil SULETUD asendisse ja laske regulaatori nupul välja tulla. See ohutusfunktsioon lukustab regulaatori nupu ja sulgeb gaasivoolu.
2. Keerake juhtnupud asendisse O.

**MÄRKUS.** Kui LP-gaas saab otsa, on täiesti normaalne, kui kostab mühin.

3. Lahutage gaasiballoon jaotise „*Gaasiballooni lahtiühendamine*“ juhiste kohaselt.

**HOIATUS.** Enne küpsetusplaadi teisaldamist, transportimist või hoiustamist laske sellel täielikult jahtuda ning eemaldage gaasiballoon.

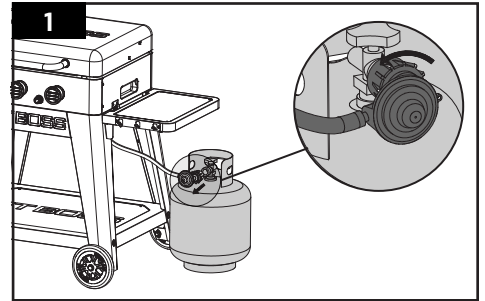


# KÜPSETUSPLAADI TÕSTMINE KÄRULT MAHA

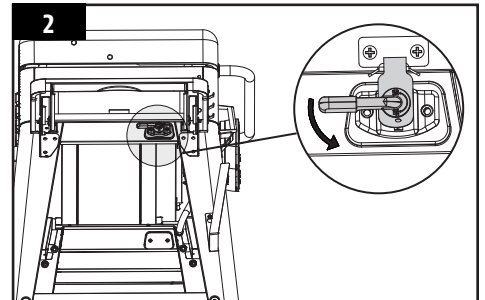
Kui teil on küpsetusplaadi mudel PB2BPGG, PB3BPGG või PB4BPGG, saab selle vedamiseks või reisimiseks kiiresti ja hõlsalt kärult maha tõsta. Selleks järgige kokkupanemisejuhiseid vastupidises järjekorras või järgmist kokkuvõtet.

**TÄHTIS! Veenduge alati, et küpsetusplaat oleks täielikult jahtunud ja gaasiballoonist lahti ühendatud ning rasvanõu oleks eemaldatud.**

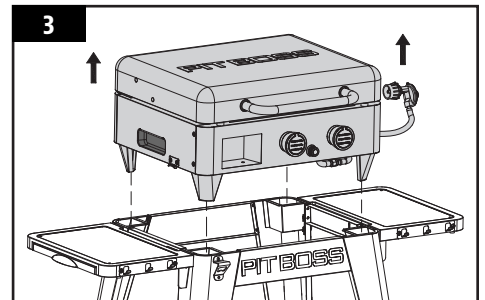
1. Lahutage seade gaasiballoonist. Eemaldage rõhuregulaatori koost ballooni ventiili küljest, keerates kiirliitmiku mutrit vastupäeva.



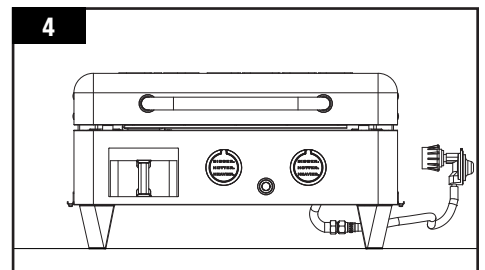
2. Turn the latches (one on each side) to unlock the Firebox from the Cart.



3. Tõstke küpsetusplaat kahekesi mõlemal küljel olevate soonte abil ettevaatlikult kärult maha. Olge tõstmisel regulaatori ja vooliku suhtes eriti tähelepanelik.



4. Asetage tulekarp kohe maha või soovitud kohta, et vältida enda vigastamist või seadme kahjustamist.

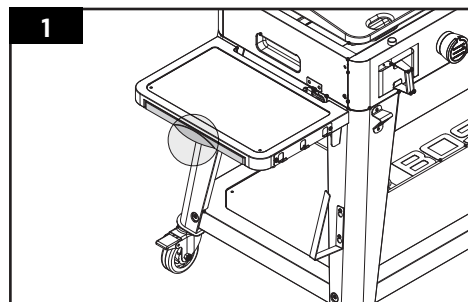


# PRÜGIKOTIHOIDIKU KASUTAMINE

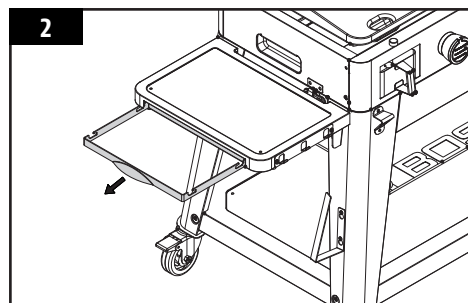
Prügi kogumine on prügikotihoidiku abil lihtsam kui kunagi varem. Seda vasakpoolse külgi all asuvat roostevabast terasest raami on lihtne puhastada ja seda saab kasutada tavalises toidupoe kilekotiga, mis mahutab umbes 10–20 liitrit (2,5–5 gallonit). Raam sobib ka enamiku standardsete prügikottide (sangadega või ilma) jaoks mahuga kuni 60 liitrit (16 gallonit).

**TÄHTIS! Jälgige, kui palju prügi prügikotihoidikul olevasse kotti pannakse. Prügikotihoidiku konstruktsiooni ja komponentide kahjustamise vältimiseks vahetage prügikotti sageli.**

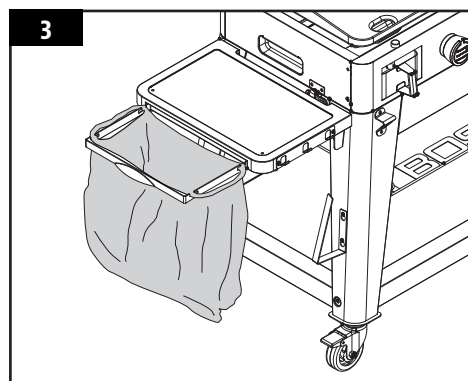
1. Leidke vasakpoolisel külgiülil prügikotihoidiku käepide.



2. Tõmmake prügikotihoidik välja, et raami kinnitustele ligi pääseda.



3. Kinnitage prügikotihoidiku külge toidupoe kilekott või standardne prügikott. Toidupoe kilekoti kasutamiseks kinnitage selle sangad raamis olevate sakkide taha, tavaline prügikott kinnitage ümber raami kolme külje.



# KORRASHOID JA HOOLDUS

## GAASITASEME KONTROLLIMINE

LP-gaasiballooni kütusetaseme koguse kontrollimiseks peab grill töötama. Pange käsi gaasiballooni ülaossa ja liigutage aeglaselt mööda külge allapoole, kuni balloon tundub puudutades jahe. See näitab gaasi ligikaudset kogust balloonis. Kui balloon on  $\frac{3}{4}$  ulatuses tühi, asendage see täis ballooni.

**TÄHTSI! Ärge kasutage oma grilliga söebrikette ega muid süttivaid materjale. Selliste materjalide kasutamine muudab garantii kehtetuks ning võib põhjustada tulekahju, plahvatuse ja kehavigastusi.**

## PUHASTUSSAGEDUS

Kõik Pit Boss®-i seadmed tagavad teile paljudeks aastateks hea maitseelamuse ja neid on kerge puhastada. Grilli hooldamisel järgige järgmisi puhastus- ja hooldusnõuandeid.

### 1. PÕLETI KOMPONENDID

- Puhastage põletit alati, kui märkate ladestunud mustust, tagamaks, et põleti torul ega avades ei tekiks ummistust (praht, putukad). Pärast pikaajalist hoiustamist võivad ämblikud või väikesed putukad olla teinud põleti torusse pesi või võrke või sinna munenud, takistades gaasi voolamist põletisse. Ummistunud toru võib põhjustada tulekahju seadme all. Grilli hoiulepanekul või enne pikaajalist kasutuspausi eemaldage põleti ja mähkige alumiiniumfooliumisse, et vähendada võimalust putukate sisenemiseks põleti avadesse.
- Põleti on optimaalseks leegiks eelnevalt seadistatud. Öhu ja gaasi optimaalse segu tulemuseks on sinine leek, millel võib olla kollane tipp. Kui leegid on liiga kollased, oranžid või ebahühtlased, eemaldage õli- ja toidujäägid põleti pinnalt ning avadelt, et õhuvoolu suurendada.

### 2. KÜPSETUSKOMPONENTIDE

- Teie küpsetusplaadi kuumplaat on keraamilise katttega. Parimad kasutatavad nõud on puit, silikoon või nailon, kuna need materjalid vähendavad küpsetuspinnal kulumist.
- Seade on tehast eelnevalt maitsestatud, kuid on oluline iga kord pärast kasutamist kuumplaat puhastada ja maitsestada, et vältida rooste tekkimist, pikendada küpsetusplaadi eluiga ja tekitada kleepumisvastane küpsetuspind. Võre maitsestamine on pidev protsess, mida tuleb kogu küpsetusaja jooksul korrata, et tagada parim toiduvalmistamise kogemus ja pikim kasutusiga.
  1. Puhastage kuumplaat pärast iga kasutamist, eemaldage kogu toit ja praht spaatliga või kaabitsaga.
  2. Kandke küpsetuspinnale liberaalselt ühtlane kiht toiduõli. Köögivilja-, oliivi-, maapähkli-, kookos- ja seesamiõlid sobivad kõik teie võre maitsestamiseks.
  3. Lase jahedas ja kuivas kohas jahtuda.

### 3. GRILLI VÄLISKÜLG

- Kõiki kruvisid ja polte tuleb korrapäraselt kontrollida. Vajaduse korral pingutage neid.
- Grilli täieliku kaitse tagamiseks kasutage grillikatet. Kate on parim kaitse ilmastikumõjude ja väliste saasteainete eest. Kui seadet ei kasutata või soovite seda pikemaks ajaks hoiule panna, hoidke seda garaazis või kuuris katte all, nii et gaasiballoon on eemaldatud (seda tuleb hoida välitingimustes).

## PUHASTUSAJA TABEL (TAVAKASUTUS)

KOMPONENT	PUHASTUSSAGEDUS	PUHASTUSVIIS
Kuumutusplaat	Pärast iga kasutuskorda	Põletage liigsed jäägid, puhastage küürimiskäsna ja seebiveega, määrige toiduõliga
Rasvarenn	Pärast iga kasutuskorda	Tühjendage ning peske küürimiskäsna ja seebiveega
Põleti toru, avad	Pärast 5–6 kasutuskorda	Eemaldage tolm ning peske küürimiskäsna ja seebiveega
Põletid	Pärast 5–6 kasutuskorda	Küürimiskäsn ja seebivesi
Käru	Vajaduse korral	Mitteabrasiivne lapp ja seebivesi

# NÄPUNÄITED JA TEHNIKAD

Järgige järgmisi kasulikke näpunäiteid ja tehnikaid, mille on edastanud seadme Pit Boss® omanikud, meie töötajad ja teiega sarnased kliendid, et oma grilli paremini tundma õppida.

## 1. TOIDUOHUTUS

- Kasutage küpsetatud liha jaoks selliseid taldrikuid ja riistu, mida te ei kasutanud toore liha ettevalmistamiseks ega grillile viimiseks. See hoiab ära ristsaastumise bakteritega. Iga marinaadi või hautisekastme jaoks peaksid olema eraldi valmistusriistad.
- Hoidke sooja toitu kuumana (temperatuuril üle 60 °C / 140 °F) ja külma toitu külmana (temperatuuril alla 3 °C / 37 °F). Küpsetatud toitu ei tohiks hoida soojas üle ühe tunni. Ärge hoidke kuumu toitu jahutamata üle kahe tunni.
- Marinaadi ei tohiks kunagi säilitada hilisemaks kasutamiseks. Kui kavatsete seda liha serveerimiseks kasutada, laske see enne serveerimist kindlasti keema.
- Sulatage ja marineerige liha jahutatuna. Ärge sulatage liha toatemperatuuril ega laual. Bakterid võivad soojas niiskes toidus kiiresti kasvada ja paljuneda. Enne söögi ettevalmistamist ning pärast toore liha, kala ja linnuliha käsitlemist peske käed hoolikalt sooja seebiveega puhtaks.

## 2. KÜPSETAMISE ETTEVALMISTAMINE

- Valmistage ette ehk **Mise en Place**. See tähendab enne küpsetamise algust toiduretsepti, kütuse, tarvikute, riistade ja kõigi koostisosade ettevalmistamist, mida vajate grilli juures. Enne grilli süütamist lugege algusest lõpuni läbi ka kogu retsept.
- Grillimise põrandamatt on väga kasulik. Toidukäitlemisõnnetuste ja küpsetuspritsmete korral kaitseb grillimise põrandamatt terrassi, siseõue või kiviplatvormi rasvapekkide ning toiduainete tahtmatu mahapillamise eest.

## 3. GRILLIMISNIPID JA -TEHNIKAD

- Liha küpsetamisel kasutage toidu sisetemperatuuri mõõtmiseks alati lihatermomeetrit. Küpsetatud toit on mõistlik panna soojendatud taldrikule, et see toidu soojana hoiaks. Punasele lihale, näiteks steigile ja veisepraele, tuleb kasuks lasta sellel enne serveerimist mõned minutid seista. See võimaldab kuumusega pinnale jõudnud mahladel liikuda tagasi liha keskele, mis lisab veelgi maitset.
- Suhkrupõhiseid kastmeid on kõige parem kasutada küpsetamise lõpus, et vältida põlemist ja leegitsusi.
- Liha pööramiseks kasutage pika varrega tangide komplekti ning burgerite ja kalade pööramiseks spaatlit. Kui kasutate terava otsaga riista, näiteks kahvli, torkab see liha läbi ja lihamahlad voolavad välja.

# TÖRKEOTSING

Korralik puhastamine ja hooldamine hoiab ära tavalised kasutusprobleemid. Kui grill töötab halvasti või kasutate seda harva, võib kasu olla järgmistest tõrkeotsingu võtetest. Korduma kippuvaid küsimusi vaadake saidilt [www.pitboss-grills.com](http://www.pitboss-grills.com). Võite pöörduda abi saamiseks ka kohaliku edasimüüja poole või võtta ühendust klienditeenindusega.

**HOIATUS. Vigastuste vältimiseks veenduge alati, et grill oleks täiesti jahtunud.**

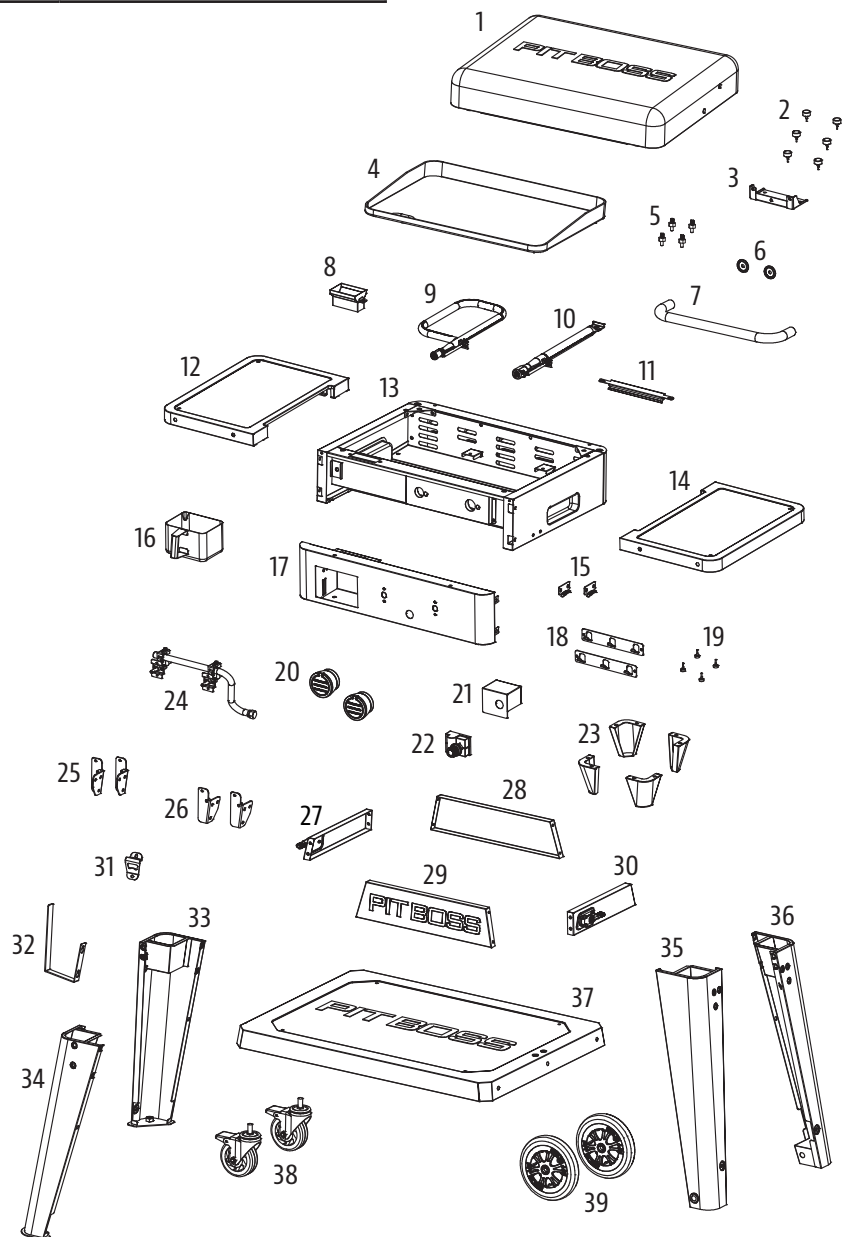
PROBLEEM	PÕHJUS	LAHENDUS
PÕLETI EI SÜTTI	Süütejühe on katki	Pöörduge abi või varuosa saamiseks klienditeeninduse poole.
	Elektroodil ei teki sädet	Reguleerige elektroodi. Pöörduge abi või varuosa saamiseks klienditeeninduse poole.
	Gaasivarustus puudub	Kontrollige regulaatori ventiili. Kontrollige ühendust lekke suhtes.
Rasva süttimine / sagedased leegitsused	Rasvase liha grillimine	Asetage rasvane liha külmale küpsetuspinnale ja grillige madalal (LOW) temperatuuril.
	Küpsetustemperatuur	Proovige küpsetada madalamal temperatuuril. Rasval on leekpunkt. Rasvast toitu küpsetades hoidke temperatuur alla 176 °C / 350 °F.
	Gaasileekidele pihustati vett	Ärge pihustage gaasileekidele vett.
Põleti kustub	Gaasivool puudub	Kontrollige gaasiühendust ja veenduge, et see oleks avatud. Kui gaasiballoon on tühi, vahetage see välja.
	Tuulepuhangud või tugev tuul	Pöörake grilli esikülj tuulest eemale või suurendage leegi kõrgust.
Asendis HIGH (Kõrge) on temperatuur madal	Avades on takistused	Kõrvaldage avadest takistused.
	Gaasiballoon on tühi	Täitke gaasiballoon.
Gaas lekib	Vale paigaldus	Keerake regulaatori nupp asendisse OFF (Väljas) ja laske regulaatori nupul välja tulla. Eemaldage gaasiballoon. Paigaldage uuesti ja keerake kinni. Tehke lekkek kontroll, et veenduda hermeetilisuses. Kui gaasiballoon on kahjustunud, vahetage see välja.
	Tihendiprobleem	Gaasiballoon on korrodeerunud, roostes või valesti käsitletud. Vahetage gaasiballoon välja.
	Regulaatori rike	Regulaator tuleb välja vahetada. Varuosa saamiseks pöörduge klienditeeninduse poole.
Põleti leegid on kollased või oranžid	Kehv õhuvool	Kontrollige põleti toru ja avasid ämblikuvõrkude või muude takistuste suhtes. Põletitoru puhastamiseks järgige jaotise „ <b>Korrashoid ja hooldus</b> “.
	Põletis on takistus	
	Rasvanõu on täis ja voolab üle	Tühjendage rasvanõu ja paigaldage see uuesti. Järgige jaotise „ <b>Korrashoid ja hooldus</b> “ juhiseid.
	Regulaatori ventiil on välja lülitatud	Kontrollige regulaatori ventiili ühendust gaasiballooniga. Eemaldage ja paigaldage uuesti. Tehke lekkek kontroll.
	Põleti on määrdunud	Keerake regulaatori nupp viieks minutiks asendisse HIGH (Kõrge) ja tehke puhastuspõletus. Järgige jaotise „ <b>Korrashoid ja hooldus</b> “ juhiseid.

# VARUOSAD

## PB2BGD2

Osa	Kirjeldus
1	Kaas (1 tk)
2	Kaane toe kummitihend (6 tk)
3	Kaane tugi (1 tk)
4	Kuumutusplaat (1 tk)
5	Kuumutusplaadi kruvid (4 tk)
6	Kaane käepideme võru (2 tk)
7	Kaane käepide (1 tk)
8	Rasva äravool (1 tk)
9	P-põleti (1 tk)
10	Parem põleti (1 tk)
11	Põleti rist (1 tk)
12	Vasakpoolne külgriiul (1 tk)
13	Tulekarbi koost (1 tk)
14	Parempoolne külgriiul (1 tk)
15	Kinnitushaak (2 tk)
16	Rasvanõu (1 tk)
17	Tulekarbi juhtpaneel (1 tk)
18	Külgriiuli konsuliist (2 tk)
19	Külgriiuli kummitihend (4 tk)
20	Juhtnupp (2 tk)
21	Süüteseadme kuumakilp (1 tk)
22	Süütesead (1 tk)
23	Tulekarbi jalad (4 tk)
24	Ventiilikoo (1 tk)
25	Vasakpoolse külgriiuli kronstein (2 tk)
26	Parempoolse külgriiuli kronstein (2 tk)
27	Käru vasakpoolne küljepaneel (1 tk)
28	Käru tagapaneel (1 tk)
29	Käru esipaneel (1 tk)
30	Käru parempoolne küljepaneel (1 tk)
31	Pudeliavaja (1 tk)
32	Kätepaberi rulli konks (1 tk)
33	Rulliku tugijalg, tagumine (1 tk)
34	Rulliku tugijalg, eesmine (1 tk)
35	Ratta tugijalg, eesmine (1 tk)
36	Ratta tugijalg, tagumine (1 tk)
37	Alumine riul (1 tk)
38	Lukustusratas (2 tk)
39	Ratas (2 tk)

Osa	Kirjeldus
A	Kruvi (37 tk)
B	Seib (16 tk)
C	Lukustusseib (16 tk)
D	Kruvi (4 tk)
E	Ratta splint (2 tk)
F	Ratta seib (2 tk)
G	Rattatelje tihvt (2 tk)
H	Patarei (1 tk)

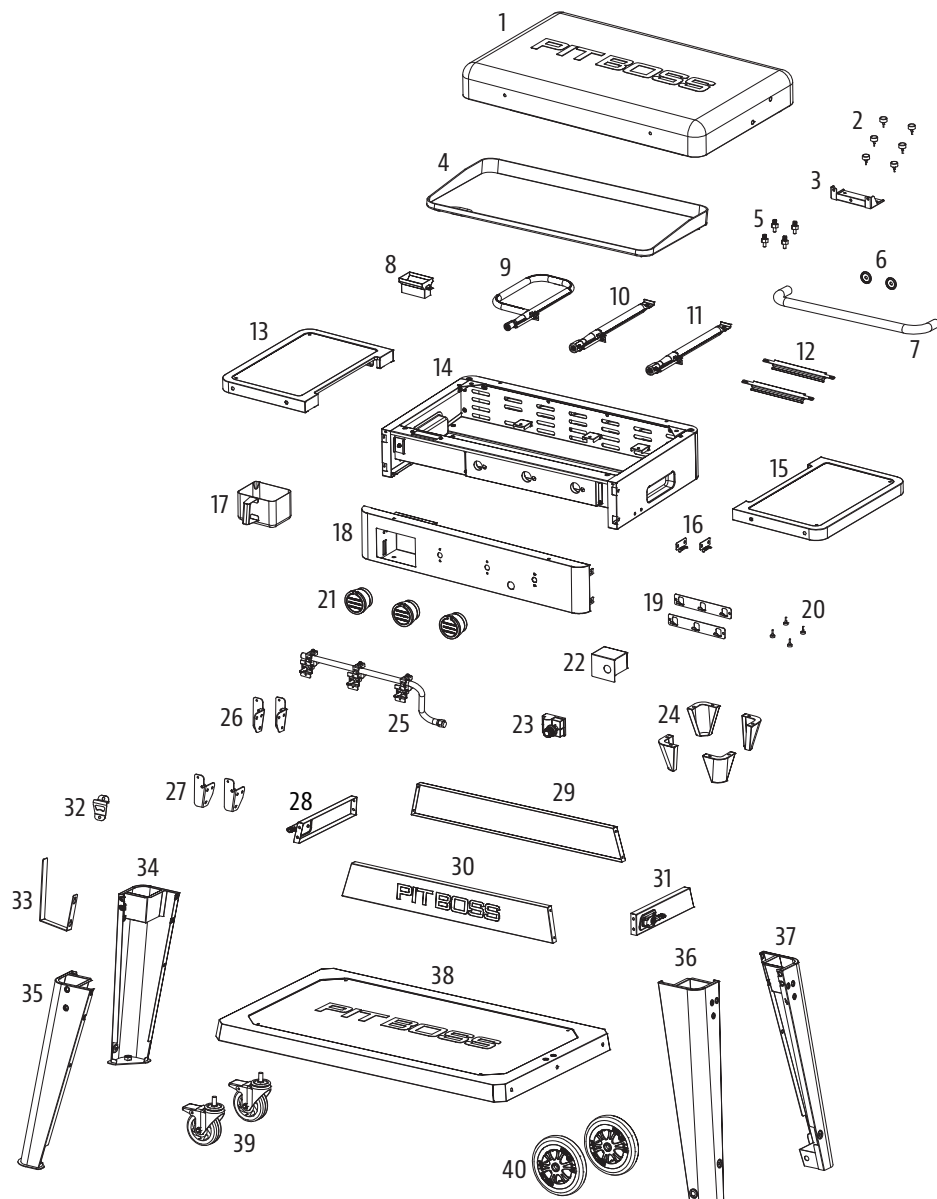


MÄRKUS. Pideva tootearenduse tõttu võidakse osi muuta ilma ette teatamata.

# PB3BGD2

Osa	Kirjeldus
1	Kaas (1 tk)
2	Kaane toe kummitihend (6 tk)
3	Kaane tugi (1 tk)
4	Kuumutusplaat (1 tk)
5	Kuumutusplaadi kruvid (4 tk)
6	Kaane käepideme võru (2 tk)
7	Kaane käepide (1 tk)
8	Rasva äravool (1 tk)
9	P-põleti (1 tk)
10	Keskmine põleti (1 tk)
11	Parem põleti (1 tk)
12	Põleti rist (2 tk)
13	Vasakpoolne külgriiul (1 tk)
14	Tulekarbi koost (1 tk)
15	Parempoolne külgriiul (1 tk)
16	Kinnitushaak (2 tk)
17	Rasvanõu (1 tk)
18	Tulekarbi juhtpaneel (1 tk)
19	Külgriiuli konsuliist (2 tk)
20	Külgriiuli kummitihend (4 tk)
21	Juhtnupp (3 tk)
22	Süüteseadme kuumakilp (1 tk)
23	Süütesead (1 tk)
24	Tulekarbi jalad (4 tk)
25	Ventiilikoost (1 tk)
26	Vasakpoolse külgriiuli kronstein (2 tk)
27	Parempoolse külgriiuli kronstein (2 tk)
28	Käru vasakpoolne küljepaneel (1 tk)
29	Käru tagapaneel (1 tk)
30	Käru esipaneel (1 tk)
31	Käru parempoolne küljepaneel (1 tk)
32	Pudeliavaja (1 tk)
33	Kätepaberi rulli konks (1 tk)
34	Rulliku tugijalg, tagumine (1 tk)
35	Rulliku tugijalg, eesmine (1 tk)
36	Ratta tugijalg, eesmine (1 tk)
37	Ratta tugijalg, tagumine (1 tk)
38	Alumine riul (1 tk)
39	Lukustusratas (2 tk)
40	Ratas (2 tk)

Osa	Kirjeldus
A	Kruvi (37 tk)
B	Seib (16 tk)
C	Lukustusseib (16 tk)
D	Kruvi (4 tk)
E	Ratta splint (2 tk)
F	Ratta seib (2 tk)
G	Rattatelje tihvt (2 tk)
H	Patarei (1 tk)



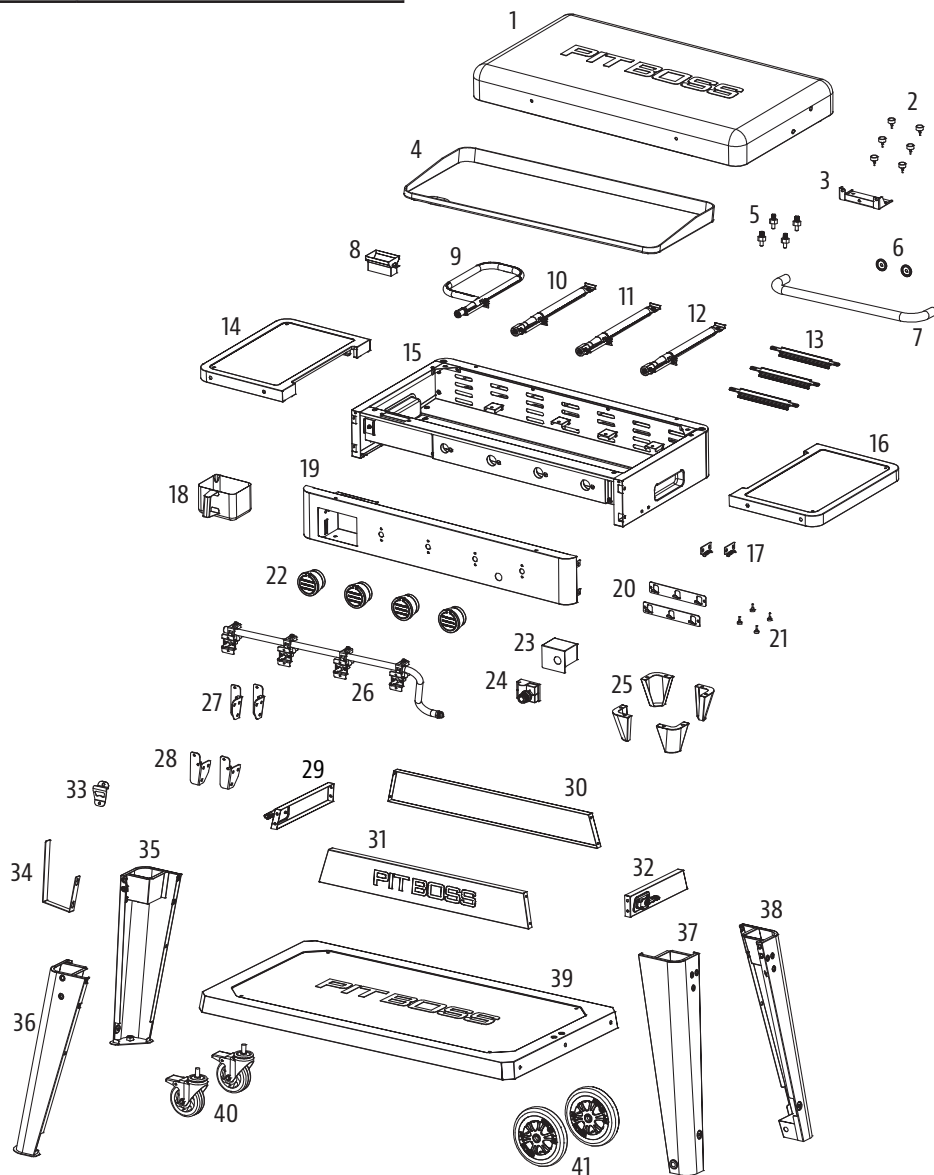
MÄRKUS. Pideva tootearenduse tõttu võidakse osi muuta ilma ette teatamata.



## PB4BGD2

Osa	Kirjeldus
1	Kaas (1 tk)
2	Kaane toe kummitihend (6 tk)
3	Kaane tugi (1 tk)
4	Kuumutusplaat (1 tk)
5	Kuumutusplaadi kruvid (4 tk)
6	Kaane käepideme võru (2 tk)
7	Kaane käepide (1 tk)
8	Rasva äravool (1 tk)
9	P-põleti (1 tk)
10	Vasak põleti (1 tk)
11	Keskmine põleti (1 tk)
12	Parem põleti (1 tk)
13	Põleti rist (3 tk)
14	Vasakpoolne külgriiul (1 tk)
15	Tulekarbi koost (1 tk)
16	Parempoolne külgriiul (1 tk)
17	Kinnitushaak (2 tk)
18	Rasvanõu (1 tk)
19	Tulekarbi juhtpaneel (1 tk)
20	Külgriiuli konsulid (2 tk)
21	Külgriiuli kummitihend (4 tk)
22	Juhtnupp (4 tk)
23	Süüteseadme kuumakilp (1 tk)
24	Süütesead (1 tk)
25	Tulekarbi jalad (4 tk)
26	Ventiilikoost (1 tk)
27	Vasakpoolse külgriiuli kronstein (2 tk)
28	Parempoolse külgriiuli kronstein (2 tk)
29	Käru vasakpoolne küljepaneel (1 tk)
30	Käru tagapaneel (1 tk)
31	Käru esipaneel (1 tk)
32	Käru parempoolne küljepaneel (1 tk)
33	Pudeliavaja (1 tk)
34	Kätepaberi rulli konks (1 tk)
35	Rulliku tugijalg, tagumine (1 tk)
36	Rulliku tugijalg, eesmine (1 tk)
37	Ratta tugijalg, eesmine (1 tk)
38	Ratta tugijalg, tagumine (1 tk)
39	Alumine riil (1 tk)
40	Lukustusratas (2 tk)
41	Ratas (2 tk)

Osa	Kirjeldus
A	Kruvi (37 tk)
B	Seib (16 tk)
C	Lukustusseib (16 tk)
D	Kruvi (4 tk)
E	Ratta splint (2 tk)
F	Ratta seib (2 tk)
G	Rattatelje tihvt (2 tk)
H	Patarei (1 tk)

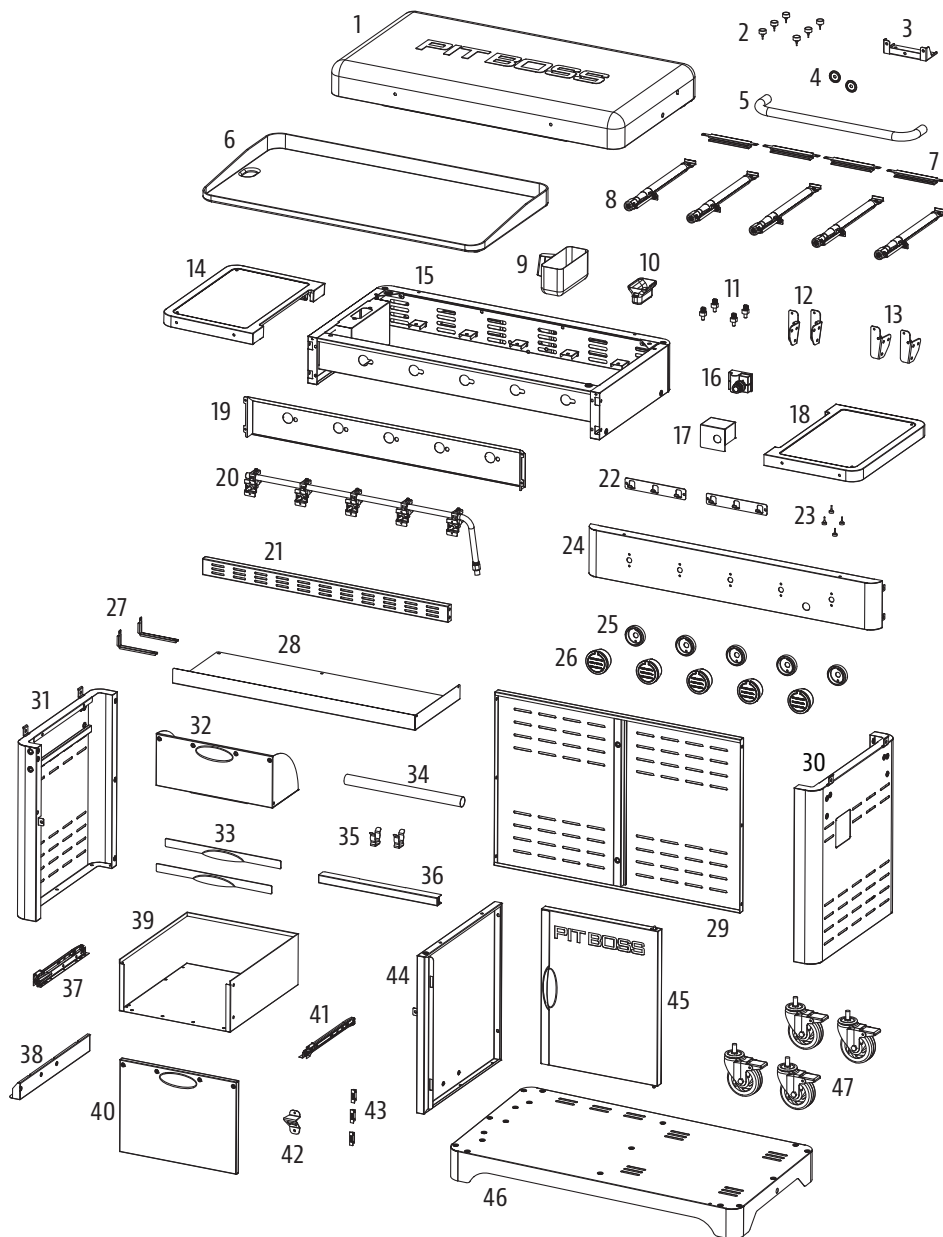


MÄRKUS. Pideva tootearenduse tõttu võidakse osi muuta ilma ette teatamata.

## PB5BGD2

Osa	Kirjeldus
1	Kaas (1 tk)
2	Kaane toe kummitihend (6 tk)
3	Kaane tugi (1 tk)
4	Kaane käepideme võru (2 tk)
5	Kaane käepide (1 tk)
6	Kuumutusplaat (1 tk)
7	Põleti rist (x4)
8	Põleti (5 tk)
9	Rasvanõu (1 tk)
10	Rasva äravool (1 tk)
11	Kuumutusplaadi kruvid (4 tk)
12	Vasakpoolse külgriiuli kronstein (2 tk)
13	Parempoolse külgriiuli kronstein (2 tk)
14	Vasakpoolne külgriiul (1 tk)
15	Tulekarbi koost (1 tk)
16	Süüteseade (1 tk)
17	Süüteseadme kuumakilp (1 tk)
18	Parempoolne külgriiul (1 tk)
19	Eesmine kuumakilp (1 tk)
20	Ventiilikoost (1 tk)
21	Käru esipaneel (1 tk)
22	Külgriiuli konsuliist (2 tk)
23	Külgriiuli kummitihend (4 tk)
24	Tulekarbi juhtpaneel (1 tk)
25	Juhtnupu alus (5 tk)
26	Juhtnupp (x5)
27	Kuumakilbi kronstein (2 tk)
28	Kuumakilbi paneel (1 tk)
29	Käru tagapaneel (1 tk)
30	Käru parempoolne küljepaneel (1 tk)
31	Käru vasakpoolne küljepaneel (1 tk)
32	Pöördsahtel (1 tk)
33	Sahtli käepide (2 tk)
34	Paberrätikute baar (x1)
35	Stopperid (2 tk)
36	Sahtli tugivarras (1 tk)
37	Sahtli vasakpoolne siin (1 tk)
38	Siini tugi (1 tk)
39	Sahtel (1 tk)
40	Sahtli esikülg (1 tk)
41	Sahtli parempoolne siin (1 tk)
42	Pudeliavaja (1 tk)
43	Magnetlukkk (3 tk)
44	Käru vahesein (1 tk)
45	Kapiuks (1 tk)
46	Kärualus (1 tk)
47	Lukustusratas (x4)

Osa	Kirjeldus
A	Kruvi (54 tk)
B	Kruvi (2 tk)
C	Lukustusseib (14 tk)
D	Seib (14 tk)
E	Kruvi (14 tk)
F	Kruvi (6 tk)
G	Patarei (1 tk)



MÄRKUS. Pideva tootearenduse tõttu võidakse osi muuta ilma ette teatamata.

# GARANTII

## TINGIMUSED

Kõigil ettevõtte Dansons toodetud Pit Boss® Grillsi küpsetusplaatidel on piiratud garantii, mis algab kuupäevast, mil algne omanik need müüb. Garantii kehtivus algab ostmise kuupäevast ning garantii kinnitamiseks on vaja ostukuupäeva tõendit või ostukviitungi originaaleksemplari. Kui klient ei suuda ostu tõendada või kui garantii on lõppenud, peab klient tasuma varuosade eest ning katma saate- ja käitlemiskulud. Dansons annab kõigile osadele kahe (2) aasta pikkuse garantii defektide ja tootmisvigade puudumise kohta. Dansons annab kõigile osadele materjalidefektide ja tootmisvigade puudumise garantii kogu ajaks, mil seade on algse ostja kasutuses ja omanduses. Garantii ei kata kulumiskahjustusi, näiteks kriimustusi, mülke, killunemisi, koorumisi või väiksemaid kosmeetilisi pragusid. Need muudatused küpsetusplaadi väljanägemises ei mõjuta selle toimimist. Garantii mis tahes osa remondile või asendamisele peab mahtuma piiratud kaheaastase (2) garantiiaja sisse, mis algab ostukuupäevast.

Garantii kehtivusaja jooksul piirdub Dansonsi kohustus defektsete ja/või kahjustatud komponentide asendamisega. Garantii perioodi kestel ei võta Dansons vastu ettemakstud saatekuludega tagastatud osade remondi ega asendamise eest, kui Dansons leiab kontrollimisel, et osad on defektssed. Dansons ei vastuta transporditasude, tööjõukulude ega eksporditollimaksude eest. Kui nendes garantiitingimustes ei ole teisiti sätestatud, tähendab osade parandamine või asendamine eelnimetatud viisil ja ajavahemikul Dansonsi kõigi otseste ning tulenevate vastutuste ja kohustuste täitmist teie ees. Dansons rakendab kõiki meetmeid roostetamist aeglustavate materjalide kasutamiseks. Isegi nende kaitsemeetmete võtmise korral võivad kaitsekatted kahjustada mitmesugused ained ja tingimused, mille üle ettevõttel Dansons puudub kontrolli. Kõrge temperatuur, liigne õhuniiskus, kloor, tööstuslikud aurud, väetised, murupestitsiidid ja sool on mõned ainetest, mis võivad metallkatteid mõjutada. Neil põhjustel ei kata garantii roostetamist ega oksüdeerumist, välja arvatud juhul, kui küpsetusplaadi komponendid kaotavad konstruktsioonilise terviklikkuse. Kui peaks ilmnema mõni ülalnimetatud nähtustest, lugege seadme tööea pikendamiseks korrashoiu ja hoolduse jaotist. Kui küpsetusplaati ei kasutata, soovib Dansons kasutada katet.

See garantii lähtub küpsetusplaadi tavapärasest kodukasutamisest ja hooldamisest ning äriotstarbel kasutatavale küpsetusplaadile see piiratud garantii ei kehti.

## ERANDID

Pit Boss® Grillsi toodetel pole kirjalikku ega kaudset toimegarantiid, kuna tootjal puudub kontrolli paigaldamise, kasutamise, puhastamise, hoolduse ja põletatava kütuse liigi üle. See garantii ei kehti ja Dansons võta endale vastutust, kui teie seadet pole paigaldatud, käitatud, puhastatud ja hooldatud ranges vastavuses selle kasutusjuhendiga. Mis tahes gaasi kasutamine, mida selles juhendis pole kirjeldatud, võib garantii tühistada. Garantii ei kata kahjustusi ega purunemisi, mis on põhjustatud seadme väärkasutamisest, vääras käsitsemisest või seadmele tehtud muudatustest. Dansons ega Pit Boss® Grillsi volitatud edasimüüja ei võta endale juriidilist ega muud vastutust selle toote kasutamisest tuleneva vara või inimeste juhusliku või kaudse kahjustamise eest. Olenemata sellest, kas Dansonsi vastu on esitatud nõue selle garantii rikkumise või mõne muu seaduses sätestatud või kaudse garantii rikkumise tõttu, ei vastuta tootja mingil juhul mingit laadi eriliste, kaudsete, tulenevate või muude kahjustuste eest peale selle toote algset ostu. Kõik tootja antud garantiid on esitatud selles dokumendis ja tootja ei aktsepteeri nõudeid ühegi muu garantii või kinnituse alusel. Mõni riik ei luba juhuslike või kaudsete kahjustuste või kaudsete garantiide piiranguid välistada ega piirata, seega ei pruugi selles piiratud garantiis sätestatud piirangud või välistamised kehtida teie kohta. See piiratud garantii annab teile konkreetsed seaduslikud õigused ja teil võivad olla ka muud õigused, mis on riigiti erinevad.

## VARUOSADE TELLIMINE

Varuosade tellimiseks pöörduge kohaliku Pit Boss® Grillsi edasimüüja poole või külastage meie veebipoodi aadressil [www.pitboss-grills.com](http://www.pitboss-grills.com)

## KLIENDITEENINDUSEGA KONTAKTEERUMINE

Kui teil on küsimusi või probleeme, võtke ühendust klientidega veebisaidil [www.pitboss-grills.com](http://www.pitboss-grills.com)

## GARANTIITEENINDUS

Remondiks või varuosade saamiseks pöörduge Pit Boss® Grillsi lähima edasimüüja poole. Dansons nõuab garantiinõude aktsepteerimiseks ostu tõendamist, mistõttu hoidke originaalostukviitung või -arve edaspidiseks kasutamiseks alles. Pit Boss®-i seadme seeria- ja mudelinumbri leiate otse seadmelt. Kirjutage numbrid üles, kuna silt võib kuluda ja muutuda loetamatuks.

MUDEL

SEERIANUMBER

OSTUKUUPÄEV

VOLITATUD EDASIMÜÜJA

EE

EESTI KEEL

## DROŠĪBAS INFORMĀCIJA

# SADZĪVES IERĪČU AIZDEGŠANĀS IZPLATĪTĀKIE IEMESLI IR NEPIENĀCĪGA APKOPE UN LĪDZ UGUNSNEDROŠIEM MATERIĀLIEM NEPIECIEŠAMĀ ATSTATUMA NEIEVĒROŠANA. ŠO IZSTRĀDAJUMU IR ĻOTI SVARĪGI LIETOT TIKAI SASKAŅĀ AR TĀLĀK NORĀDĪTAJĀM INSTRUKCIJĀM.

Pirms mēģināt samontēt, izmantot vai uzstādīt šo izstrādājumu, uzmanīgi izlasiet visu rokasgrāmatu. Tādējādi bez raizēm varat nodrošināt patikamu jaunās pārnēsājamās gāzes pannas ekspluatāciju. Turklāt iesakām saglabāt šo rokasgrāmatu turpmākām uzziņām.

### BRĪDINĀJUMI PAR PROPĀNA GĀZI

#### APDRAUDĒJUMS

Ja saozāt gāzi:

- Izslēdziet gāzes padevi uz iekārtu.
- Nodzēsiet atklātu liesmu, ja tāda ir.
- Atveriet vāku.
- Ja joprojām jūtat smaku, netuvojieties iekārtai un nekavējoties sazinieties ar gāzes piegādātāju vai ugunsdzēsības dienestu.

#### BRĪDINĀJUMS

- Neglabājiet un nelietojiet benzīnu vai citus uzliesmojošus šķidrums vai izgarojumus šīs vai citas iekārtas tuvumā.
- Neglabājiet sašķidrinātās naftas gāzes cilindrus, kas nav pieslēgti un sagatavoti lietošanai, šīs vai citas iekārtas tuvumā.
- Ierīces izmantošanai nepieciešams precīzi uzpildīts standarta G30/G31 grila šķidrās propāna gāzes cilindrs ar ārējām vārstu vītņēm. Cilindra maksimālais diametrs un maksimālais augstums ir attiecīgi 300 mm (11,8 collas) un 600 mm (23,6 collas).

1. Pārlicinieties, ka gāzes cilindrs ir iegādāts no uzticama piegādātāja. Nepareizi uzpildīts vai pārpildīts sašķidrinātās naftas gāzes balons var būt bīstams. Ja pārpildīts sašķidrinātās naftas gāzes balons uzsilst (karstā vasaras dienā, zem tiešiem saules stariem u. c. gadījumos), temperatūras kāpuma dēļ sašķidrinātās naftas gāze paplašinās un gāze var noplūst. No cilindra noplūdusi gāze ir uzliesmojoša un var uzsprāgt.
2. Neizmantojiet sašķidrinātās naftas gāzes balonu, ja balona vārsts ir bojāts vai uz balona ir skrāpējumi, iespaidumi, korozija, pārmērīgs rūsējums, vai ir pamanāmi cita veida ārējie bojājumi, vai ir konstatēta noplūde. Izmantošana var būt bīstama. Nekavējoties sazinieties ar šķidrās propāna gāzes piegādātāju.

**Ja redzat, ka gāze noplūst no cilindra, vai saozāt gāzi, vai dzirdat šņācošu skaņu, gāzei izplūstot no cilindra, neaizdedziniet iekārtu. Nodzēsiet atklātu liesmu, ja tāda ir. Atvienojiet iekārtu no kurināmā padeves sistēmas.**

3. Gāzes cilindrs=ū nedrīkst pievienot vai atvienot, kamēr tas tiek izmantots vai nav atdzisis. Pārlicinieties, ka laikā, kad neizmantojat pannas ierīci, regulatora slēdzis ir pozīcijā OFF (Izslēgts) un gāzes cilindrs ir atvienots. Ierīci nedrīkst pārvietot vai transportēt, kad tai ir pievienots gāzes cilindrs. Rezerves sašķidrinātās naftas gāzes cilindru nedrīkst uzglabāt zem ierīces vai tās tuvumā.

4. Cilindri jāuzglabā ārpus telpām, bērniem nepieejamā vietā, un tos nedrīkst uzglabāt ēkā, garāžā vai kādā citā noslēgtā vietā.
5. Gādājiet, lai dedzināšanas plūsmā un vēdināšanas gaisa pievadē nerastos nosprostojumi. Gādājiet, lai degļa caurule un atveres būtu tīras. Pirms lietošanas grils jānotīra. Lai pagarinātu iekārtas darbmužu, jāveic regulāra kopšana un uzturēšana.
6. Vienmēr pārliecinieties par noplūdes neesamību, kad pieslēdzat regulatoru gāzes cilindram vai atvienojat regulatoru no gāzes cilindra, jo īpaši pēc ilgstošas glabāšanas perioda (piemēram, pēc ziemas). Izmantojiet ziepjūdeni un birsti un pārbaudiet noplūdes neesamību visos savienojumos. Noplūdes pārbaudē nelietojiet atklātu liesmu.
7. Ikreiz pirms lietošanas notīriet un pārbaudiet šīs ārā gatavošanas gāzes ierīces gāzes regulatoru. Ja pamanāt regulatora pārmērīgu abrazīvo nodilumu vai nolietojumu, nomainiet regulatoru pirms ierīces lietošanas.
8. Izmantojiet šo ierīci tikai ar sašķidrinātu naftas gāzi, kā tas ir norādīts ierīces nominālo parametru etiķetē. Neizmantojiet grilu ar citu veidu gāzēm. Nepārveidojiet šo sašķidrinātās naftas gāzes ierīci par dabasgāzes ierīci. Šī brīdinājuma neievērošana var izraisīt ugunsgrēku un traumas, un garantija tiks anulēta.
9. Degļa caurules atrašanās vieta attiecībā pret atveri ir ļoti svarīga drošai darbībai. Pirms lietojat gāzes režģi, pārbaudiet, vai atvere atrodas degļa caurulē. Ja degļa caurule neder virs vārsta atveres, degļa iedegšana var izraisīt eksploziju un / vai ugunsgrēku.

## APDRAUDĒJUMI UN BRĪDINĀJUMI

**Lai saņemtu nepieciešamās atļaujas, uzdevumus vai informāciju par uzstādījuma ierobežojumiem, piemēram, saistībā ar grila uzstādīšanu uz ugunsnedrošas virsmas, pārbaudes prasībām vai pat lietošanas iespēju savā teritorijā, jums ir jāsaazinās ar vietējās māju asociācijas, būvniecības vai ugunsdzēsības amatpersonām vai iestādi, kurai ir paredzētā jurisdikcija.**

1. Jāievēro minimālais atstatums: 1,270 mm (50 collas) no ugunsnedrošām konstrukcijām līdz pannas ierīces malām un 1,270 mm (50 collas) no pannas ierīces aizmugures līdz ugunsnedrošām konstrukcijām. **Neuzstādiet ierīci uz grīdām, kas ir ugunsnedrošas vai aizsargātas ar ugunsnedrošām virsmām, ja vien neesat saņēmis attiecīgas atļaujas un apstiprinājumus no atbildīgajām iestādēm.** Nelietojiet šo iekārtu iekštelpās, slēgtā vai nevēdināmā zonā, mājokļos, transportlīdzekļos, teltīs un garāžās. Šo sašķidrinātās naftas gāzes pannas ierīci nedrīkst novietot zem ugunsnedrošiem griestiem vai pārkares. Novietojiet gāzes pannu tādā vietā, kur nav ugunsnedrošu materiālu, benzīna un citu uzliesmojošu izgarojumu un šķidrumu.

**Ja aizdegas taukvielas, izslēdziet grilu, līdz uguns ir nodzisis. Nelejiet uz ierīces ūdeni. Nemēģiniet aplāpēt uguni. Lai degšana neizplatītos, izmantojiet visām klasēm (ABC klase) apstiprinātu ugunsdzēsības aparātu. Nekontrolētas degšanas gadījumā zvaniet ugunsdzēsības dienestam.**

2. Šis ārā grils nav paredzēts uzstādīšanai atpūtas transportlīdzekļos vai laivās.

**Nelietojiet šo ierīci slēgtā telpā, piemēram, autofurgonā, teltī, mašīnā, laivā vai mājās. Šī ierīce nav sildītājs; nelietojiet to kā sildītāju.**

3. Šo ierīci nav ieteicams izmantot bērniem un personām ar samazinātām fiziskajām, maņu vai garīgajām spējām, ja vien tas nenotiek par viņu drošību atbildīgās personas tiešā uzraudzībā vai saskaņā ar šīs personas norādījumiem.
4. Grila daļas var kļūt ļoti karstas, radot nopietnu traumu risku. Ierīces lietošanas laikā raugieties, lai tās tuvumā neatrastos mazi bērni un mājdzīvnieki. Nepieskarieties karstām virsmām. Tā kā grils kļūs karsts, izmantojiet karstumizturīgus cimtus, garas kņables vai virtuves cimtus.
5. Nekad nelietojiet grilu bez uzstādītas taukvielu bukses, kas pakārta zem kurtuves. Bez taukvielu bukses karstās taukvielas un netīrumi var notecēt uz leju un radīt ugunsgrēka apdraudējumu.

## OGLEKĻA MONOKSĪDS ("KLUSAIS SLEPKAVA")

Vienmēr lietojiet gāzes ierīci ārpus telpām atvērtā vietā ar labu ventilāciju, lai nevarētu ieelpot toksiskos dūmus no dedzinātās vai noplūdušās gāzes. Oglekļa monoksīds ir bezkrāsaina gāze bez aromāta un garšas. Tā veidojas gāzes, koka, propāna, kokogļu un cita kurināmā degšanas rezultātā. Oglekļa monoksīds samazina asiņu spēju pārnest skābekli. Ja asinis ir zems skābekļa līmenis, tas var izraisīt galvassāpes, reiboni, vājumu, nelabumu, vemšanu, miegainību, apmulsumu, bezsamaņu vai nāvi. Ievērojiet tālāk sniegtos norādījumus, lai šī bezkrāsainā gāze bez aromāta neizraisītu saindēšanos jums, jūsu ģimenei vai citiem cilvēkiem.

- Apmeklējiet ārstu, ja jums vai citiem rodas saaukstēšanās vai gripas veida simptomi ēdiena gatavošanas laikā vai ierīces tuvumā. Saindēšanās ar oglekļa monoksīdu, ko kļūdains var uzskatīt par saaukstēšanos vai gripu, bieži tiek konstatēta pārāk vēlu.
- Alkohola un narkotisku vielu lietošana pastiprina saindēšanos ar oglekļa monoksīdu iedarbību.

Oglekļa monoksīds ir īpaši indīgs mātei un bērnam grūtniecības laikā, zīdaiņiem, gadus vecākiem cilvēkiem, smēķētājiem un cilvēkiem ar asinsrites vai cirkulācijas sistēmas problēmām, piemēram, anēmiju vai sirds slimību.

## DROŠĪBAS NORĀDĪJUMI

Pit Boss® gāzes grīli tika pārbaudīti saskaņā ar ES atbilstības apliecinājuma (Conformité Européenne – CE) procedūrām un specifikācijām. Saskaņā ar pārbaudes rezultātiem ierīces atbilst standartu un direktīvu prasībām saistībā ar visām ES (Eiropas Savienības) un Eiropas Ekonomikas zonas (EEZ) drošības, veselības un vides aizsardzības prasībām.



	SILTUMA ATDEVE	DEGĻU SKAITS		DEGĻA VEIDS	INŽEKTORA IZMĒRS	GĀZE/SPIEDIENS	LIETOŠANAS VALSTS
		TAISNAIS DEGLIS	P VEIDA DEGLIS				
<b>PB2BGD2</b>	7.63 KW G30 – 555 g/h G31 – 545 g/h	1	1	TAISNAIS DEGLIS	0.8 mm	G30 pie 28–30 mbar G31 pie 37 mbar G30/G31 maisījums pie 30 mbar	<b>I3+ (28-30/37) :</b> BE, CH, CY, CZ, ES, FR, GB, GR, IE, IT, LT, LU, LV, PT, SK, SI  <b>I3B/P (30) :</b> BE, CY, DK, EE, FR, GB, HU, IT, LT, NL, NO, SE, SI, SK, RO, HR, TR, BG, IS, LU, MT, FI  <b>I3B/P (37) :</b> PL  <b>I3B/P (50) :</b> AT, DE, SK, CH
<b>PB3BGD2</b>	10.5 KW G30 – 768 g/h G31 – 755 g/h	2	1		0.75 mm	G30/G31 maisījums pie 37 mbar	
					0.72 mm	G30/G31 maisījums pie 50 mbar	
<b>PB4BGD2</b>	13.49 KW G30 – 982 g/h G31 – 964 g/h	3	1	P VEIDA DEGLIS	1.02 mm	G30 pie 28–30 mbar G31 pie 37 mbar G30/G31 maisījums pie 30 mbar	
					0.97 mm	G30/G31 maisījums pie 37 mbar	
<b>PB5BGD2</b>	14.65 KW G30 – 1066 g/h G31 – 1047 g/h	5	0		0.93 mm	G30/G31 maisījums pie 50 mbar	



## PAZIŅOJUMS PAR AUTORTIESĪBĀM

Autortiesības 2021. Visas tiesības paturētas. Nevienu šīs rokasgrāmatas daļu nedrīkst kopēt, pārsūtīt, ierakstīt vai glabāt izgūšanas sistēmā nekādā veidā un ne ar kādiem līdzekļiem bez tiešas rakstiskas atļaujas no:

### **DANSONS EIROPA**

11 Rue Galvani Parīze, Francija 75017

### **DANSONS ZIEMEĻAMERIKA**

3411 North 5th Avenue, Suite 500, Phoenix, AZ, USA 85013

### **KLIENTU APKALPOŠANA**

[www.pitboss-grills.com](http://www.pitboss-grills.com)

## SATURA RĀDĪTĀJS

Drošības informācija .....	222
Pieslēgšana gāzes padevei	
Gāzes cilindru prasības .....	226
Gāzes savienotāja uzstādīšana kolektoram.....	226
Gāzes cilindra pievienošana .....	227
Sagatavošana lietošanai — noplūdes pārbaude .....	228
Gāzes cilindra atvienošana .....	228
Lietošanas norādījumi	
Pannas ierīces vide .....	229
Pirmā lietošanas reize — pannas nodedzināšana .....	230
Aizdedzināšana.....	230
Manuāla aizdedzināšana.....	231
Pannas izslēgšana .....	231
Pannas nocelšana no ratiņiem .....	232
Atkritumu maisa turētāja izmantošana.....	233
Kopšana un apkope .....	234
Ieteikumi un metodes.....	235
Problēmu novēršana .....	236
Daļas nomaiņai .....	237
Garantija.....	241



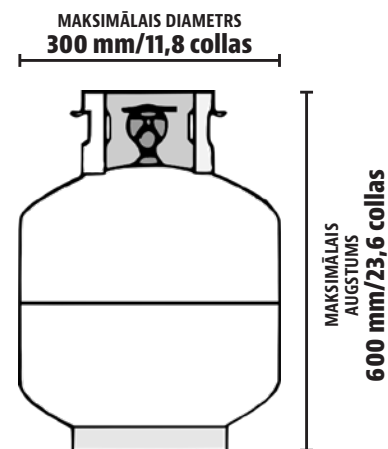
# PIESLĒGŠANA GĀZES PADEVEI

## GĀZES CILINDRU PRASĪBAS

Lietošanas laikā jums būs nepieciešams precīzi uzpildīts standarta G30/G31 grila šķidrās propāna gāzes cilindrs ar ārējiem vārstu vītņiem. Izmantojiet standarta elastīgo cauruli ar garumu, kas nepārsniedz 1,5 m (59 collas). Caurulei ir jābūt redzamai visā garumā, lai to varētu pārbaudīt pēc uzstādīšanas.

Cilindra maksimālais diametrs un maksimālais augstums ir attiecīgi 300 mm (11,8 collas) un 600 mm (23,6 collas), kā redzams attēlā.

**UZMANĪBU:** lai grilu varētu lietot droši un efektīvi, ir jāizmanto atbilstošais regulators, kura atbilstošais standarts ir EN16129, un pudele. Ja tiek izmantots nepareizs vai kļūdainais regulators, tas ir bīstami, un jebkāda garantija tiek anulēta. Ir svarīgi pārbaudīt cauruli visā tās garumā. Ja pamanāt caurules pārmērīgu abrazīvo nodilumu vai nolietojumu vai caurule ir sagriezta, nomainiet cauruli pirms ierīces lietošanas.

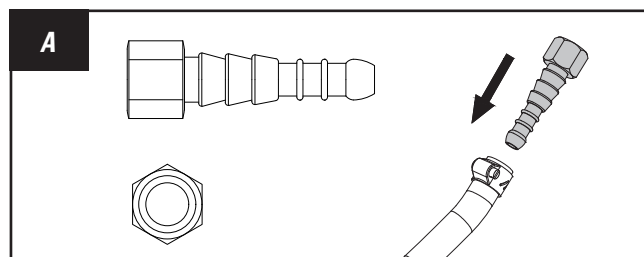


## GĀZES SAVIENOTĀJA UZSTĀDĪŠANA KOLEKTORAM

Atkarībā no atrašanās vietas un iegādes valsts ne visi izplatītāji pārdod pannas ierīci ar komplektācijā iekļautu regulatoru. Ja gāzes regulators nav iemontēts, tiek nodrošināts kolektora pārejas komplekts. No komplektācijā esošā kolektora pārejas komplekta atlasiet savienotāju, kas nepieciešams gāzes kolektora un regulatora caurulēm. Lai atvieglotu gāzes savienotāja uzstādīšanu, noceliet vai atvienojiet pannu no ratiņiem. Lai novērstu skrāpējumus vai bojājumus novietojiet to augšpēdus uz kartona gabala.

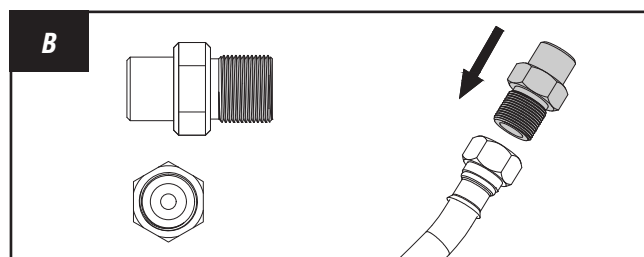
- **A SAVIENOTĀJS — SAŠAURINĀTS**  
Ievietojiet savienotāja sašaurināto galu regulatora caurulē, pēc tam cieši nofiksējiet to, izmantojot šļūtenes skavu.

Skatiet A attēlu..



- **B SAVIENOTĀJS — AR VĪTNI**  
Ievietojiet aptveramo savienotāju ar vītņiem regulatora caurules aptverošajā galā. Grieziet to, lai pilnībā pievilktu.

Skatiet B attēlu.



Veiciet nākamo darbību gāzes cilindra uzstādīšanai. Pannai jāpaliek noņemtai no ratiņiem.

## GĀZES CILINDRA PIEVIENOŠANA

**SVARĪGI! Ja kolektoram ir nepieciešams savienotājs, pirms ierīces pievienošanas gāzes cilindram ievērojiet savienotāja uzstādīšanas norādījumus.**

Pirms savienojuma izveides pārbaudiet, vai gāzes cilindra galviņā, regulatora vārsta galviņā vai degļa galviņā un degļa atverēs nav iesprūduši netīrumi.

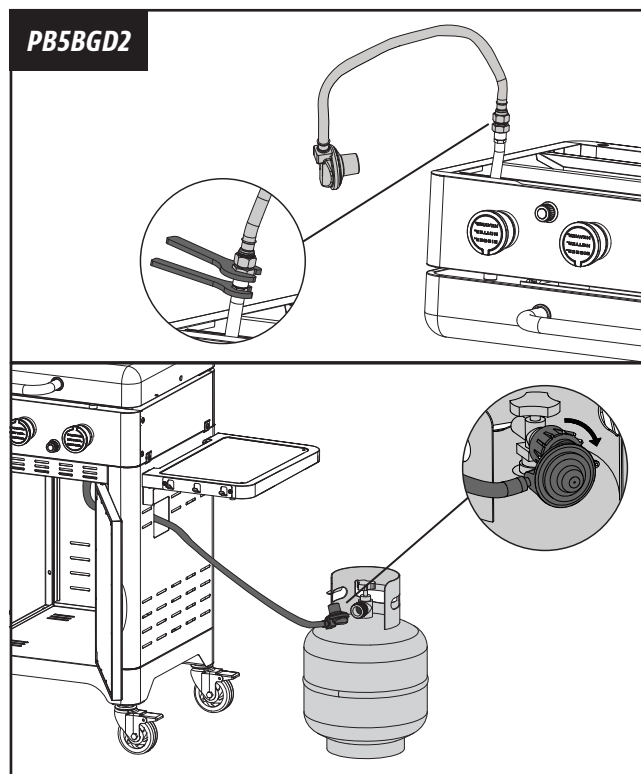
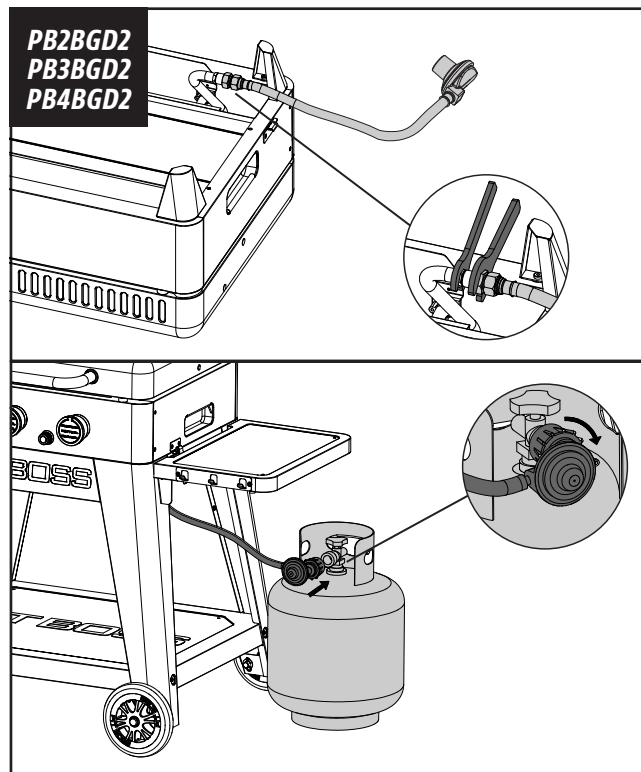
1. Ja regulators jau ir iepriekš uzstādīts, pārejiet pie nākamās darbības.

Ja ir uzstādīts savienotājs no kolektora pārejas komplekta, pannai jābūt noņemtai no ratiņiem, lai veiktu regulatora uzstādīšanu. Pievienojiet regulatora caurules līniju panna kolektoram, pilnībā pievelkot to ar uzgriežņu atslēgu. Kad regulators un regulatora caurule ir uzstādīti, uzstādiet pannu uz ratiņiem. Kad panna atkal ir novietota uz ratiņiem, nodrošiniet, lai regulatora caurule nekādi nebūtu savīta vai saspiesta.

2. Pannas ierīcei ar skapi izvelciet regulatoru un regulatora cauruli caur ratiņu labās sienas atveri.
3. Novietojiet gāzes cilindru pie ratiņiem labajā pusē. Pārlicinieties, ka gāzes cilindra vārsts ir AIZVĒRTĀ pozīcijā. Ir svarīgi nodrošināt, lai gāzes cilindrs būtu pilnīgi vertikālā pozīcijā, jo panna ierīces darbība ir nedroša, ja gāzes cilindrs nav pareizi nolīmeņots vai neatrodas uz stabilas virsmas.
4. Pārlicinieties, ka panna vadības pogas ir līdz galam noslēgtas, pagriežot tās pulksteņrādītāju virzienā pozīcijā "0" (OFF – Izslēgts).
5. Noņemiet aizsargvāciņus no regulatora vārsta atveres un gāzes cilindra augšpusēs. Paturiet vāciņus.
6. Pēc tam gāzes cilindra vārstu ievietojiet regulatora vārsta vītņotajā atverē. Pagrieziet savienotāju uzgriežņi pulksteņrādītāju kustības virzienā līdz galam. Pievelciet tikai ar roku.
7. Tagad gāzes cilindrs ir uzstādīts. Veiciet noplūdes pārbaudi..

**BRĪDINĀJUMS! Ja saņemat gāzes smaku, noslēdziet gāzes cilindru. Mēģiniet vēlreiz uzstādīt gāzes cilindru, lai nodrošinātu, ka caurule ir pareizi pievienota. Veiciet noplūdes pārbaudi.**

**PIEZĪME.** Normāla gāzes plūsma pa regulatoru un šļūtenes bloku var radīt dūcošu skaņu. Zems trokšņa līmenis ir pilnīgi normāls un netraucēs panna ierīces darbību. Ja dūcošā skaņa ir pārmērīgi skaļa, var būt nepieciešams izlaist gaisu no gāzes līnijas vai atiestatīt regulatora liekās gāzes plūsmas ierīci. Šī iztukšošanas procedūra jāveic katru reizi, kad panna ierīcei tiek pievienota jauna sašķidrinātās naftas gāzes tvertne.



## SAGATAVOŠANA LIETOŠANAI — NOPLŪDES PĀRBAUDE

Noplūdes pārbaude ir nepieciešama, lai pārlicinātos, ka blivējums nav bojāts. Pirms gāzes grila lietošanas veiciet noplūdes pārbaudi regulatora un gāzes cilindra savienojuma vietā, lai mazinātu ugunsgrēka vai sprādziena izcelšanās risku, kas var izraisīt nopietnas traumas vai nāvi. Noplūdes tests ir jāveic ne retāk kā vienu reizi sezonā, kā arī:

- pirms aizdedzināt grilu pirmo reizi;
- ikreiz, kad maināt gāzes cilindru;
- pēc transportēšanas, jo īpaši pa nelidzieniem vai kalnainiem ceļiem;
- pēc ilgstošas glabāšanas vai periodiem, kas ierīce netika izmantota.

### NOPLŪDES PĀRBAUDE

#### Nepieciešamais aprīkojums

- 1 x Trauks (*tukšs, tīrs*)
- 1 x Krāsošanas ota (*tīra*)
- Trauku mazgājamo līdzeklis
- Ūdens

#### Process:

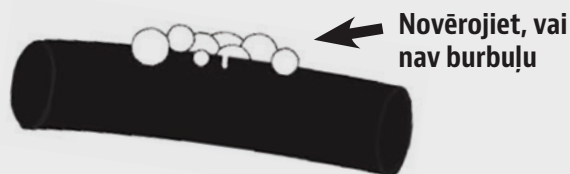
1. Novietojiet grilu labi vēdināmā telpā. Pārlicinieties, vai grils ir pilnīgi atdzisis un netiek lietots. Pārbaudiet, vai regulatora slēdzis ir pagriezts pozīcijā OFF (Izslēgts) un gāzes cilindrs ir cieši piestiprināts regulatoram.

**SVARĪGI! Pārlicinieties, ka tuvumā nav atklātas liesmas un neatrodas cilvēki, kas smēķē.**

2. Traukā sajauciet vienu daļu ūdens un vienu daļu trauku mazgājamo līdzekļa. Šis šķīdums būs burbuļains un koncentrēts.
3. Ar krāsošanas otru uzklājiet šķīdumu blivējuma vietā starp regulatoru un gāzes cilindru. Vizuāli pārbaudiet, vai no blivējuma neizplūst burbuļi. Ja tie izplūst, blivējums ir bojāts vai pārplis.

**PIEZĪME: ja konstatējat noplūdi, atkārtojiet gāzes cilindra uzstādīšanas procesu, taču nepievelciet pārāk cieši. Pievelciet tikai ar roku. Pēc atkārtotās uzstādīšanas vēlreiz veiciet noplūdes pārbaudi, lai pārlicinātos, ka blivējums ir drošs.**

**SVARĪGI! Neizmantojiet gāzes grilu, ja konstatējat gāzes noplūdi, ko nevar novērst noplūdes pārbaudes laikā. Piesardzības nolūkos sazinieties ar vietējo ugunsdzēsības dienestu vai klientu apkalpošanas dienestu un noskaidrojiet alternatīvus pārbaudes veidus.**



## GĀZES CILINDRA ATVIENOŠANA

1. Pārlicinieties, ka grila vadības poga ir līdz galam noslēgta, pagriežot to pozīcijā OFF (Izslēgts). Pagrieziet sašķidrinātās naftas gāzes cilindra vārstu pozīcijā CLOSED (Slēgts) un ļaujiet pogai izlēkt.
2. Pagrieziet cilindru pretēji pulksteņrādītāju kustības virzienam (ar roku), lai atvienotu to no regulatora vārsta atveres. Uzlieciet aizsargvāciņus uz regulatora vārsta atveres un gāzes cilindra augšpuses un novietojiet cilindru glabāšanai (ja nav tukšs).

**SVARĪGI! Ja grils tiek glabāts iekštelpās, atstājiet gāzes cilindru ārā.**

**BRĪDINĀJUMS: grilu nedrīkst transportēt, kamēr tam ir pievienots gāzes cilindrs. Cilindra vārsts var palikt vaļīgs, un gāze var izplūst, izraisot sprādzienu, ugunsgrēku vai nopietnas traumas. Pirms ierīces transportēšanas vai glabāšanas atvienojiet gāzes cilindru. Ja grils tiek glabāts iekštelpās, atstājiet gāzes cilindru ārā.**

# LIETOŠANAS NORĀDĪJUMI

## PANNAS IERĪCES VIDE

### 1. KUR UZSTĀDĪT PANNAS IERĪCI

Pannas ierīces veikspēju, tāpat kā citu lietošanai ārpus telpām paredzētu iekārtu veikspēju, būtiski ietekmē laika apstākļi un gatavošanas ilgums, kāds nepieciešams nevainojamas maltītes pagatavošanai. Visām Pit Boss® grila ierīcēm ir jānodrošina vismaz 1270 mm (50 collu) atstatums no ugunsnedrošām konstrukcijām, un šis atstatums ir jāuztur visā ierīču darbības laikā. Šo ierīci nedrīkst novietot zem ugunsnedrošiem griestiem vai pārkares. Pannas ierīcei jāatrodas vietā, kur nav ugunsnedrošu materiālu vai citu uzliesmojošu izgarojumu un šķidrumu.

### 2. GATAVOŠANA AUKSTĀ LAIKĀ

Kad ārā kļūst vēsāks, tas nenozīmē, ka grilēšanas sezona ir beigusies. Spirdzinošais vēsais gaiss un grilēta ēdiena debešķīgais aromāts palīdzēs aizdzīt ziemas grūtsirdību. Ievērojiet tālāk sniegtos ieteikumus par to, kā izbaudīt grilēšanu vēsākos mēnešos.

- Sagatavojieties — pirms došanās ārā sakārtojiet virtuvē visu nepieciešamo. Ziemā pārvietojiet grilu vietā, kur nav vēja un tieša aukstuma. Noskaidrojiet vietējos noteikumus par grila tuvumu jūsu mājām un/vai citām konstrukcijām. Visu nepieciešamo novietojiet uz paplātes, kārtīgi sastipriniet un gatavs!
- Lai labāk sekotu āra temperatūrai, novietojiet āra termometru gatavošanas zonas tuvumā. Atzīmējiet žurnālā vai vēsturē, ko esat gatavojis, āra temperatūru un gatavošanas ilgumu. Tas palīdzēs vēlāk noteikt, ko gatavot un cik ilgs laiks būs nepieciešams.
- Sagatavojiet uzsildītu paplāti vai trauka vāku, lai ēdiens neatdzistu, kamēr nonāksiet telpās.

### 3. GATAVOŠANA KARSTĀ LAIKĀ

Kad ārā kļūst siltāks, gatavošanas laiks saīsina. Izbaudiet grilēšanu karstajos mēnešos, ievērojot dažus tālāk minētos ieteikumus.

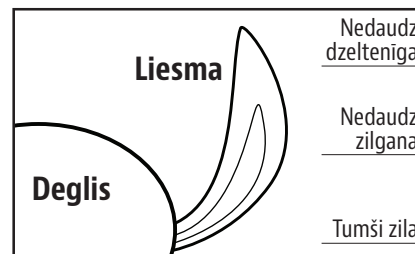
- Noregulējiet zemāku gatavošanas temperatūru. Tas palīdz izvairīties no nevēlamiem uzliesmojumiem.
- Izmantojiet gaļas termometru, lai noteiktu ēdiena iekšējo temperatūru. Tas palīdz novērst gaļas pārcepšanu un izžūšanu.
- Ēdienu var uzturēt karstu, to ietinot folijā un ievietojot izolētā dzesētājā. Ap foliju aplieciet saburzītas avīzes, lai ēdienu uzturētu karstu 3–4 stundas.

## PIRMĀ LIETOŠANAS REIZE — PANNAS NODEDZINĀŠANA

Pirms pirmās gatavošanas ar pannas ierīci ir svarīgi veikt pannas nodedzināšanu. Ieslēdziet pannas ierīci un darbiniet to vismaz 15 minūtes pozīcijā HIGH (Augsta temperatūra), lai grilu nodedzinātu. Tādējādi ar karstumu tiks attīrīti iekšējie komponenti, izkliedētas smakas un ierīce tiks atbrīvota no jebkādiem svešķermeņiem.

### AIZDEDZINĀŠANA

1. Iededzināšanas laikā atveriet vāku.
2. Iestatiet visas vadības pogas pozīcijā "O".
3. Atveriet cilindra/gāzes vārstu saskaņā ar tvertnes lietošanas instrukcijām.
4. Nospiediet un pagrieziet degšanas vadības pogu pretēji pulksteņrādītāju kustības virzienam pozīcijā "🔥 (viegla pozīcija)".
5. Nospiediet aizdegšanas pogu, līdz deglis aizdegas.
6. Ja aizdegšanās nenotiek 5 sekunžu laikā, pagrieziet vārstu pozīcijā "O", uzgaidiet 5 minūtes un atkārtojiet aizdedzināšanu atbilstoši norādījumiem. Pēc iededzināšanas vērojiet, lai degli iedegtos liesma. Pārlicinieties, ka visas degļa atveres ir iededzinātas un liesmas augstums atbilst attēlā norādītajam.
7. Ja kaut kas no iepriekš minētā nedarbojas, skatiet **manuālās aizdedzināšanas** norādījumus.



**Ja lietošanas laikā deglis nodziest, pagrieziet vadības pogas pozīcijā "O" (OFF – Izslēgts). Uzgaidiet piecas minūtes pirms atkārtotas aizdedzināšanas, lai uzkrājušās gāzes izkliedētos.**

### PROCESS DEGLĀ ATTEICES GADĪJUMĀ

Ja kāda iemesla dēļ degli neizdodas iededzināt pēc trim vai četriem mēģinājumiem, veiciet tālāk norādītās darbības vai iedarbiniet grilu, izmantojot manuālo metodi.

1. Gādājiet, lai visas vadības pogas būtu pozīcijā OFF (Izslēgts). Uzgaidiet, līdz uzkrājušās gāzes izkliedējas.
2. Pēc piecām minūtēm pārbaudiet tālāk norādīto.
  - Vizuāli pārlicinieties, vai deglis darbojas: nospiediet degļa pogu un vērojiet, vai degļa galā veidojas dzirkstele. Ja dzirkstele neveidojas, noregulējiet atstatumu starp degļa (elektroda) galu un degli uz 4,5 mm (3/16 collām).
  - Vizuāli pārlicinieties, ka degļa caurule un atveres nav nosprostotas. Ja tās ir nosprostotas, izpildiet **kopšanas un uzturēšanas** norādījumus.
  - Ja kaut kas no iepriekš minētā nedarbojas, skatiet **problēmu novēršanas** norādījumus.

## MANUĀLA AIZDEDZINĀŠANA

1. Iededzināšanas laikā atveriet vāku.
2. Iestatiet visas vadības pogas pozīcijā "0".
3. Atveriet cilindra/gāzes vārstu saskaņā ar tvertnes lietošanas instrukcijām.
4. Ātri un uzmanīgi iededziniet degli, izmantojot sērkokciņu vai garās šķiltavas. Piekļūstiet deglim zem karstās plāksnes. Novietojiet degošu sērkokciņu pie degļa malas.

**UZMANĪBU! Nemēģiniet iededzināt liesmu citā degļa daļā. Tas var izraisīt traumu.**

5. Nospiediet un pagrieziet degļa vadības pogu pretēji pulksteņrādītāju kustības virzienam pozīcijā "🔥 (iedegšanas pozīcija)", turiet šo pogu iespiestu 10 sekundes pēc degļa iedegšanās. Līdz pogas atlaišanai būs dzirdama sprakšķoša dzirksteles skaņa.

**PIEZĪME.** Aizdedzināšanai vai degšanas atjaunošanai pannas ierīcē neizmantojiet spirtu, šķiltavu šķidrums vai petroleju.

6. Ja deglis neaizdegas 5 sekunžu laikā, pagrieziet degļa vadības pogu pozīcijā "0", uzgaidiet 5 minūtes un atkārtojiet aizdedzināšanu atbilstoši norādījumiem. Pēc iededzināšanas vērojiet, lai degli iedegtos liesma. Pārliecinieties, ka visas degļa atveres ir iededzinātas un liesmas augstums atbilst iepriekš attēlā norādītajam.

**PIEZĪME.** Katrs deglis ir jāiededzina atsevišķi. Atkārtojiet tās pašas darbības pārējiem degļiem.

**BRĪDINĀJUMS!** Nekādā gadījumā neliecieties pār gatavošanas zonu gāzes pannas iedegšanas laikā. Iededzinot pannas ierīci ar sērkokciņu, turiet seju un ķermeni drošā attālumā (vismaz 457 mm / 18 collas) no gatavošanas režģa virsmas.

7. Ja kaut kas no iepriekš minētā nedarbojas, skatiet **problēmu novēršanas** norādījumus.

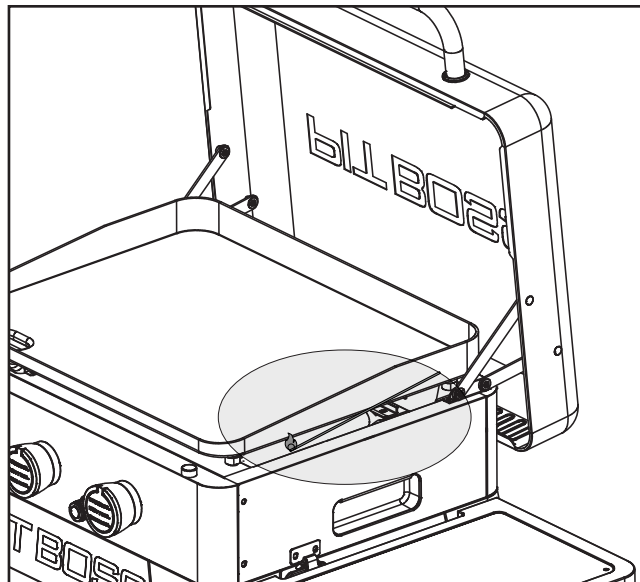
## PANNAS IZSLĒGŠANA

1. Kad gatavošana ir pabeigta, pagrieziet gāzes cilindra vārstu pozīcijā CLOSED (Slēgts) un ļaujiet pogai izlēkt. Šī drošības funkcija bloķē regulatora pogu, lai noslēgtu gāzes plūsmu.
2. Pagrieziet vadības pogas pozīcijā "0".

**PIEZĪME.** "Šņācienu" skaņa ir normāla parādība, izdegot sašķidrinātās naftas gāzes atlikumiem.

3. Atvienojiet gāzes padevi, ievērojot sadaļas "**Gāzes cilindra atvienošana**" norādījumus.

**BRĪDINĀJUMS!** Pirms pannas ierīces pārvietošanas, transportēšanas vai novietošanas glabāšanā uzgaidiet, līdz tā ir pilnībā atdzisusi, un noņemiet gāzes cilindru.

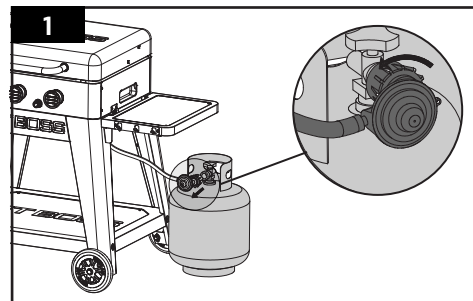


# PANNAS NOCELŠANA NO RATIŅIEM

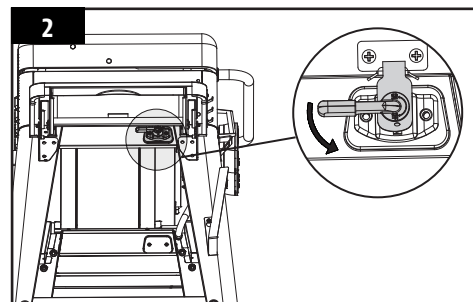
Ja jums ir PB2BPGG, PB3BPGG, PB4BPGG modeļu pannas ierīces, tās var ātri un viegli nocelt no ratiņiem piknikam vai izbraukumiem. Vienkārši izpildiet montāžas norādījumus apgrieztā secībā vai veiciet tālāk norādītā kopsavilkuma darbības.

**SVARĪGI! Vienmēr pārlicinieties, ka panna ierīce ir pilnībā atdzisusi, atvienota no gāzes padeves un ir noņemts taukvielu trauks.**

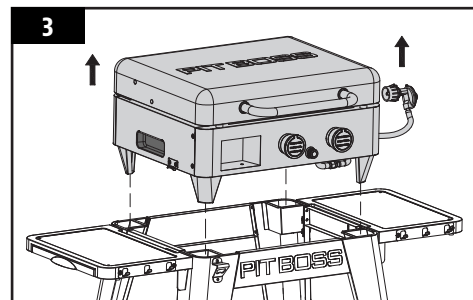
1. Atvienojiet iekārtu no gāzes padeves. Atvienojiet spiediena regulatora bloku no cilindra vārsta, pagriežot savienotājuzgriezni pretēji pulksteņrādītāju kustības virzienam.



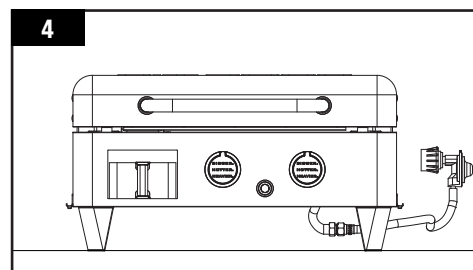
2. Pagrieziet fiksatorus (pa vienam katrā pusē), lai atbloķētu kurtuvi no ratiņiem.



3. Divatā uzmanīgi noceliet pannu no ratiņiem, izmantojot virsmas rievas katrā pusē. Pacelšanas laikā pievērsiet īpašu uzmanību regulatoram un šļūtenēm.



4. Nekavējoties novietojiet kurtuvi uz zemes vai vēlamajā vietā, lai izvairītos no sevis ievainošanas vai ierīces bojāšanas.



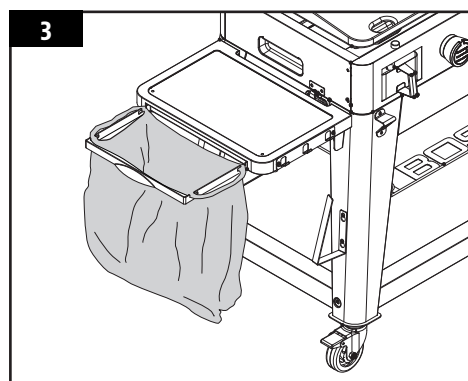
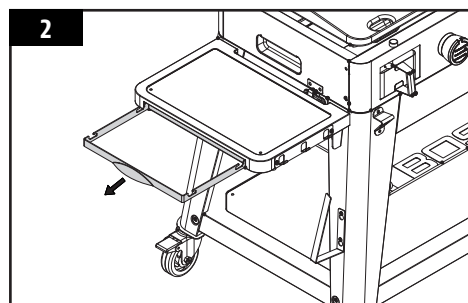
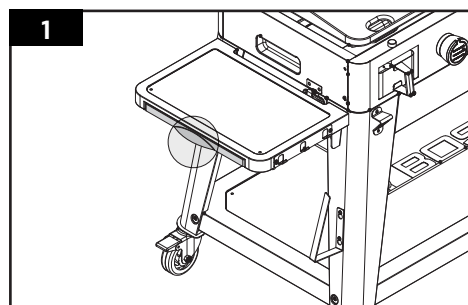


# ATKRITUMU MAISA TURĒTĀJA IZMANTOŠANA

Atkritumu maisa turētājs nodrošina īpaši ērtu atkritumu savākšanu. Šis nerūsējošā tērauda rāmis, kas atrodas zem kreisās sānu plaukta, ir viegli tīrāms un tam var izmantot standarta, parasta izmēra plastmasas iepirkumu maisu, kura tilpums parasti ir aptuveni 10–20 litri (2,5–5 galoni). Rāmis ir paredzēts arī lielākajai daļai standarta atkritumu maisu (ar vai bez rokturiem) līdz 60 litri (16 galonu) ietilpībā.

**SVARĪGI! Ievērojiet, cik daudz svara tiek ievietots atkritumu maisa turētājam pievienotajā maisā. Bieži nomainiet maisu, lai netiktu apdraudēta atkritumu maisa turētāja struktūras un sastāvdaļu integritāte.**

1. Kreisajā sānu plauktā atrodiet atkritumu maisa turētāja rokturi.
2. Izvelciet atkritumu maisa turētāju, lai būtu pieejams rāmja karkass.
3. Pievienojiet atkritumu maisa turētājam plastmasas iepirkumu maisu vai standarta atkritumu maisu. Uzmauciet iepirkumu maisu rokturus uz rāmja karkasa vai uzmauciet atkritumu maisu uz trim rāmja malām, lai tas turētos.



# KOPŠANA UN UZTURĒŠANA

## GĀZES LĪMEŅA PĀRBAUDE

Lai pārbaudītu sašķidrinātās naftas gāzes cilindra līmeni, grilam ir jādarbojas. Novietojiet roku uz gāzes cilindra augšdaļas un lēnām virziet to lejup pa cilindru, līdz atrodam vietu, kur cilindrs pēc sajūtām ir vēss. Tas norāda uz aptuveno gāzes daudzumu cilindrā. Ja tas ir tukšs par  $\frac{3}{4}$ , uzstādiet pilnu gāzes cilindru.

**SVARĪGI! Nelietojiet grilam kokogļu briketes un nekādu uzliesmojošu materiālu. Lietojot šādu materiālu, var izraisīt ugunsgrēku, sprādzienu un traumas, un garantija tiks anulēta.**

## TĪRĪŠANAS BIEŽUMS

Visas Pit Boss® ierīces kalpos daudzus gadus, veicot minimālu tīrīšanu. Kopjot grilu, ievērojiet tālāk norādītos ieteikumus par tīrīšanu un uzturēšanu.

### 1. DEĢĻA KOMPONENTI

- Tīriet degļi vienmēr, kad tiek konstatēti biezi uzkrājušies netīrumi, lai garantētu, ka nav nosprostojuma (netīrumu, insektu) pazīmju uz degļa caurules vai degļa atverēs. Pēc uzglabāšanas zirnekļi vai nelieli insekti var būt izveidojuši ligzdas, tīklus un iedējuši oliņas degļa caurulē, nosprostojot gāzes plūsmu uz degļi. Nosprostota caurule var izraisīt ugunsgrēku zem ierīces. Ja grils tiek uzglabāts vai to paredzēts nelietot ilgu laika posmu, noņemiet degļi un aptiniet alumīnija foliju, lai samazinātu risku, ka insekti iekļūst degļa atverēs.
- Deglim ir rūpnīcā iestatīta optimāla liesma. Zila liesma, iespējami ar nelielu dzeltenu galiņu, ir optimālais gaisa un gāzes maisījuma rezultāts. Ja liesmas ir pārmērīgi dzeltenas, oranžas vai neregulāras, notīriet eļļu un ēdienu atliekas no degļa virsmas un degļa atverēm, lai palielinātu gaisa plūsmu.

### 2. KOMPONENTU UZSTĀDĪŠANA

- Jūsu režģa karstā plāksne ir pārklāta ar keramiku. Vislabāk ir izmantot koka, silikona vai neilona piederumus, jo šie materiāli samazinās gatavošanas virsmas nodilumu.
- Iekārta ir iepriekš norādīta no rūpnīcas, taču ir svarīgi pēc katras lietošanas karsto plāksni notīrīt un garšot, lai novērstu rūšēšanu, pagarinātu režģa kalpošanas laiku un izveidotu nelipīgu gatavošanas virsmu. Grīdas grauzdēšana ir nepārtraukts process, kas jāatkārto visā režģa darbības laikā, lai nodrošinātu vislabāko gatavošanas pieredzi un ilgāko lietošanas laiku.
  1. Pēc katras lietošanas notīriet sildvirsmu, izmantojot lāpstīņu vai skrāpi, noņemiet visus ēdienus un grūzus.
  2. Uz gatavošanas virsmas liberāli uzklājiet vienmērīgu pārtikas eļļas kārtu. Dārzenus, olīvu, zemesriekstu, kokosriekstu un sezama eļļas ir piemērotas cepšanas cepšanai.
  3. Ļauj atdzist vēsā, sausā vietā.

### 3. PANNAS ĀRPUSE

- Visas skrūves un bultskrūves ir regulāri jāpārbauda. Pēc nepieciešamības pievelciet tās.
- Izmantojiet grila vāku, lai grilam nodrošinātu pilnu aizsardzību. Vāks ir vislabākā aizsardzība pret laikapstākļu ietekmi un āra piesārņotājiem. Ja grils netiek lietots vai tiek novietots ilgstošai glabāšanai, glabājiet to zem vāka garāžā vai šķūnī un atvienojiet gāzes cilindru (tas ir jāuzglabā ārpus telpām).

## TĪRĪŠANAS GRAFIKS (NORMĀLA LIETOŠANA)

KOMPONENTS	TĪRĪŠANAS BIEŽUMS	TĪRĪŠANAS METODE
Karstā plāksne	Pēc katras lietošanas reizes	Nodedzināt lieko daudzumu, sūklis beršanai un ziepjūdens, ieeļļot ar cepamo eļļu
Taukvielu paplāte	Pēc katras lietošanas reizes	Iztukšošana, beršanas vīkšķis un ziepjūdens
Degļa caurule, atveres	Pēc 5–6 lietošanas reizēm	Putekļi, beršanas vīkšķis un ziepjūdens
Degļi	Pēc 5–6 lietošanas reizēm	Beršanas vīkšķis un ziepjūdens
Ratiņi	Pēc nepieciešamības	Neabrazīva drāna un ziepjūdens

# IETEIKUMI UN METODES

Lai labāk izprastu grila darbību, ievērojiet šos noderīgos padomus un metodes, kuras ieteikuši Pit Boss® iekārtu īpašnieki, mūsu personāls un tādi paši pircēji.

## 1. PĀRTIKAS DROŠĪBA

- Pagatavotajai gaļai izmantojiet citas plāksnes un piederumus, nevis tos, ko lietojāt neapstrādātas gaļas sagatavošanai vai pārvietošanai no grila. Tādējādi tiks novērsta baktēriju savstarpējā pārvešana. Katrai marinādei un cepeša mērcei jāizmanto atsevišķs piederums.
- Karsto ēdienu uzturiet karstu (virs 60 °C/140 °F), bet auksto — vēsu (zem 3 °C/37 °F). Pagatavoto ēdienu nevajadzētu atstāt karstumā ilgāk par vienu stundu. Karsto ēdienu neatstājiet ārpus ledusskapja ilgāk par divām stundām.
- Nekāda gadījumā neatstājiet marinādi vēlākai lietošanai. Ja vēlaties to pasniegt kopā ar gaļu, pirms pasniegšanas tā noteikti jāuzvāra.
- Atkausējiet un marinējiet gaļu ledusskapī. Neatkausējiet gaļu istabas temperatūrā vai uz darba virsmas. Siltā, mitrā pārtikā var ātri augt un vairoties baktērijas. Pirms ēdiena gatavošanas un pēc darba ar svaigu gaļu, zivīm un putniem rūpīgi nomazgājiet rokas ar karstu ziepjūdeni.

## 2. SAGATAVOŠANĀS ĒDIENA GATAVOŠANAI

- Sagatavojieties jeb **Mise en Place**. Tas attiecas uz gatavošanas receptes, kurināmā, piederumu, instrumentu un visu nepieciešamo sastāvdaļu sagatavošanu pie grila, pirms sākat gatavot ēdienu. Pirms grila iededzināšanas izlasiet arī visu recepti no sākuma līdz beigām.
- Ļoti noderīgs ir grila grīdas paklājiņš. Rikojoties ar pārtiku, ne vienmēr viss izdodas nevainojami, tostarp gatavojot rodas šļakatas, tadēļ iesakām izmantot grila grīdas paklājiņu, kas aizsargā grīdu, iekšējo pagalmu un bruģi no iespējamo tauku plankumu rašanās vai nejaušām šļakatām.

## 3. GRILĒŠANAS IETEIKUMI UN METODES

- Vienmēr izmantojiet gaļas termometru, lai noteiktu gatavojamā ēdiena iekšējo temperatūru. Gatavo ēdienu ieteicams novietot uz uzkaras plāksnes, lai uzturētu tā siltumu. Sarkanās gaļas, piemēram, steiku un cepešu, kvalitāte palielinās, ja tiem pirms pasniegšanas ļauj dažas minūtes nostāvēties. Tādējādi sulas, kas karstuma ietekmē ir nonākušas virspusē, ieplūst gaļas gabala vidū, papildinot aromātu.
- Mērces, kuras gatavotas uz cukura bāzes, ieteicams pievienot neilgi pirms gatavošanas beigām, lai izvairītos no degšanas un uzliesmojumiem.
- Gaļas apgrīšanai izmantojiet garas kņables, bet burgeru un zivju apgrīšanai — lāpstiņu. Ar durstīšanas instrumenta, piemēram, dakšiņas, palīdzību var sadurstit gaļu, ļaujot izplūst tās sulai.

# PROBLĒMU NOVĒRŠANA

Pareiza tīrīšana un uzturēšana novērsīs izplatītas darbības problēmas. Ja grils strādā slikti vai tiek reti izmantots, izlasiet tālāk norādītos problēmu novēršanas ieteikumus. Bieži uzdotos jautājumus skatiet vietnē [www.pitboss-grills.com](http://www.pitboss-grills.com). Palīdzību varat arī saņemt, sazinoties ar vietējo izplatītāju vai klientu apkalpošanas dienestu.

**BRĪDINĀJUMS: vienmēr pārlicinieties, ka grils ir pilnībā atdzisis, lai izvairītos no traumām.**

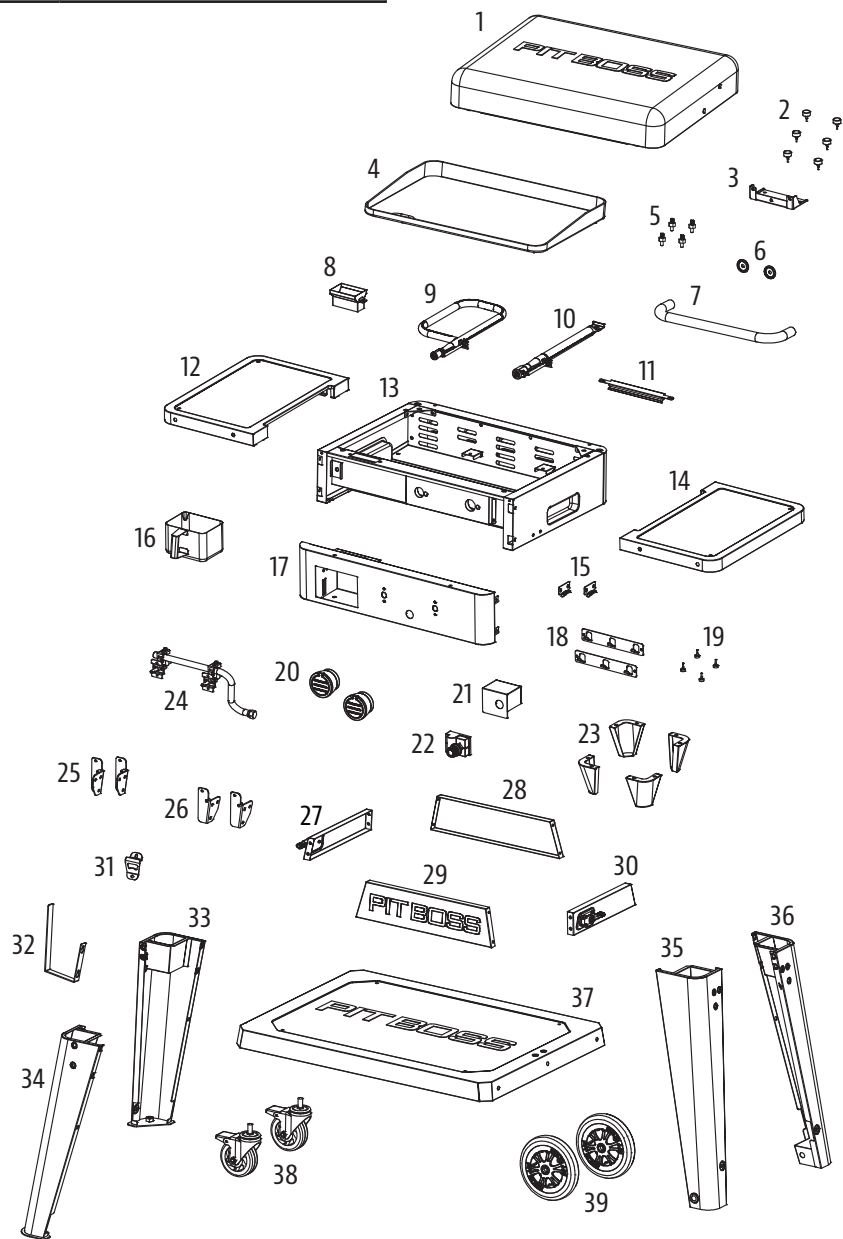
PROBLĒMA	CĒLONIS	RISINĀJUMS
Degli nevar aizdedzināt	Aizdedzes vads ir bojāts	Sazinieties ar klientu apkalpošanas dienestu, lai saņemtu palīdzību vai rezerves daļu.
	Uz elektroda nav degļa dzirksteles	Noregulējiet elektrodu. Sazinieties ar klientu apkalpošanas dienestu, lai saņemtu palīdzību vai rezerves daļu.
	Nav gāzes padeves	Pārbaudiet regulatora vārstu. Pārlicinieties, ka savienojumu vietās nav noplūdes.
Taukvielu degšana / bieži uzliesmojumi	Treknas gaļas grilēšana	Treknas gaļas grilēšana, kad gatavošanas virsma ir auksta un pogas ir pozīcijā LOW (Zema temperatūra).
	Gatavošanas temperatūra	Mēģiniet gatavot zemākā temperatūrā. Taukvielām ir noteikta uzliesmošanas temperatūra. Ja gatavojat pārtiku ar augstu tauku saturu, uzturiet temperatūru zem 176 °C/350 °F.
	Gāzes liesmai ir uzsmidzināts ūdens	Nesmidziniet ūdeni gāzes liesmai virsū.
Degļa izpūšana	Nav gāzes plūsmas	Pārbaudiet gāzes padeves savienojumu un nodrošiniet, ka tas ir atvērts. Ja gāzes cilindrs ir tukšs, nomainiet to.
	Brāzmas vai liels vējš	Pagrieziet grila priekšpusi prom no vēja vai palieliniet liesmas augstumu.
Zema temperatūra pozīcijā HIGH (Augsta temperatūra)	Atveres ir nosprostotas	Iztīriet nosprostotās atveres.
	Tukšs gāzes cilindrs	Uzpildiet gāzes cilindru.
Gāzes noplūde	Nepareiza uzstādīšana	Pagrieziet regulatora pogu pozīcijā OFF (Izslēgts) un ļaujiet pogai izlēkt. Izņemiet gāzes cilindru. Ievietojiet to atpakaļ un pievelciet to. Veiciet noplūdes pārbaudi, lai garantētu atbilstošu blīvējumu. Ja gāzes cilindrs ir bojāts, nomainiet to.
	Blīvējuma kļūme	Gāzes cilindrs ir sarūsējis vai nepareizi lietots. Nomainiet gāzes cilindru.
	Regulatora kļūme	Regulators ir jānomaina. Sazinieties ar klientu apkalpošanas dienestu saistībā ar rezerves daļu.
Degļu liesmas ir dzeltenas vai oranžas	Vāja gaisa plūsma	Pārbaudiet, vai degļa caurulē un degļu atverēs nav zirnekļtīklu vai citu nosprostojumu. Degļa caurules tīrīšanai izpildiet <b>kopšanas un uzturēšanas</b> norādījumus.
	Degļa nosprostojums	
	Taukvielu buksē ir pilna, šlakstās	Iztukšojiet taukvielu buksi un ievietojiet to atpakaļ ierīcē. Izpildiet <b>kopšanas un uzturēšanas</b> norādījumus.
	Regulatora vārsts ir izslēgts	Pārbaudiet regulatora vārsta savienojumu ar gāzes cilindru. Noņemiet to, pēc tam uzstādiet. Veiciet noplūdes pārbaudi.
	Deglis ir netīrs	Pagrieziet regulatora pogu pozīcijā HIGH (Augsta temperatūra) uz piecām minūtēm un nodedziniet grilu. Izpildiet <b>kopšanas un uzturēšanas</b> norādījumus.

# DAĻAS NOMAIŅAI

## PB2BGD2

Daļa	Apraksts
1	Vāks (1 gab.)
2	Vāka atbalsta gumija (6 gab.)
3	Vāka balsts (1 gab.)
4	Karstā plāksne (1 gab.)
5	Karstās plāksnes kāju skrūves (4 gab.)
6	Vāka roktura stiprināšanas atloks (2 gab.)
7	Vāka rokturis (1 gab.)
8	Taukvielu noteka (1 gab.)
9	P veida deglis (1 gab.)
10	Labais deglis (1 gab.)
11	Degļu šķērsstienis (1 gab.)
12	Sānu plaukts — kreisais (1 gab.)
13	Kurtuves bloks (1 gab.)
14	Sānu plaukts — labais (1 gab.)
15	Fiksatora āķis (2 gab.)
16	Taukvielu trauks (1 gab.)
17	Kurtuves vadības panelis (1 gab.)
18	Sānu plaukta āķu panelis (2 gab.)
19	Sānu plaukta gumija (4 gab.)
20	Vadības poga (2 gab.)
21	Degļa karstuma vairogs (1 gab.)
22	Deglis (1 gab.)
23	Kurtuves kājiņa (4 gab.)
24	Vārstu bloks (1 gab.)
25	Sānu plaukta kronšteins — kreisais (2 gab.)
26	Sānu plaukta kronšteins — labais (2 gab.)
27	Ratiņu sānu panelis — kreisais (1 gab.)
28	Ratiņu aizmugurējais panelis (1 gab.)
29	Ratiņu priekšējais panelis (1 gab.)
30	Ratiņu sānu panelis — labais (1 gab.)
31	Pudeļu attaisāmais (1 gab.)
32	Papīra dvieļu turētājs (1 gab.)
33	Rītenīša atbalsta kāja — aizmugurējā (1 gab.)
34	Rītenīša atbalsta kāja — priekšējā (1 gab.)
35	Rīteņa atbalsta kāja — priekšējā (1 gab.)
36	Rīteņa atbalsta kāja — aizmugurējā (1 gab.)
37	Apakšējais plaukts (1 gab.)
38	Rītenītis ar bloķētāju (2 gab.)
39	Rītenis (2 gab.)

Daļa	Apraksts
A	Skrūve (37 gab.)
B	Paplāksne (16 gab.)
C	Fiksācijas paplāksne (16 gab.)
D	Skrūve (4 gab.)
E	Rīteņa šķelttapa (2 gab.)
F	Rīteņa paplāksne (2 gab.)
G	Rīteņa ass tapa (2 gab.)
H	Baterija (1 gab.)

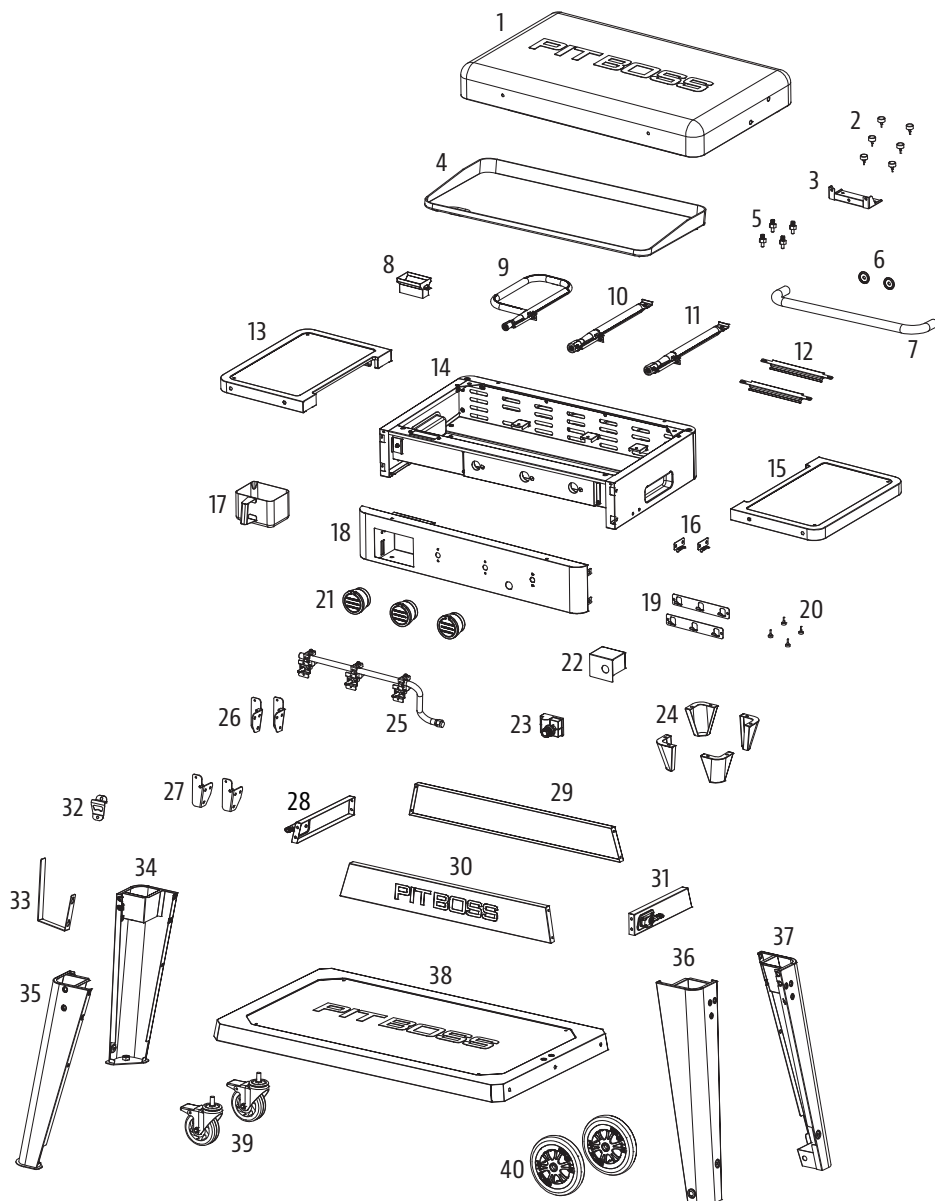


PIEZĪME: tā kā notiek pastāvīga izstrādājumu attīstība, daļām var tikt veiktas izmaiņas bez iepriekšēja paziņojuma.

## PB3BGD2

Part#	Description
1	Vāks (1 gab.)
2	Vāka atbalsta gumija (6 gab.)
3	Vāka balsts (1 gab.)
4	Karstā plāksne (1 gab.)
5	Karstās plāksnes kāju skrūves (4 gab.)
6	Vāka roktura stiprināšanas atloks (2 gab.)
7	Vāka rokturis (1 gab.)
8	Taukvielu noteka (1 gab.)
9	P veida deglis (1 gab.)
10	Vidējais deglis (1 gab.)
11	Labais deglis (1 gab.)
12	Degļu šķērsstienis (2 gab.)
13	Sānu plaukts — kreisais (1 gab.)
14	Kurtuves bloks (1 gab.)
15	Sānu plaukts — labais (1 gab.)
16	Fiksatora āķis (2 gab.)
17	Taukvielu trauks (1 gab.)
18	Kurtuves vadības panelis (1 gab.)
19	Sānu plaukta āķu panelis (2 gab.)
20	Sānu plaukta gumija (4 gab.)
21	Vadības poga (3 gab.)
22	Degļa karstuma vairogs (1 gab.)
23	Deglis (1 gab.)
24	Kurtuves kājiņa (4 gab.)
25	Vārstu bloks (1 gab.)
26	Sānu plaukta kronšteins — kreisais (2 gab.)
27	Sānu plaukta kronšteins — labais (2 gab.)
28	Ratiņu sānu panelis — kreisais (1 gab.)
29	Ratiņu aizmugurējais panelis (1 gab.)
30	Ratiņu priekšējais panelis (1 gab.)
31	Ratiņu sānu panelis — labais (1 gab.)
32	Pudeļu attaisāmais (1 gab.)
33	Papīra dvieļu turētājs (1 gab.)
34	Riteniša atbalsta kāja — aizmugurējā (1 gab.)
35	Riteniša atbalsta kāja — priekšējā (1 gab.)
36	Riteņa atbalsta kāja — priekšējā (1 gab.)
37	Riteņa atbalsta kāja — aizmugurējā (1 gab.)
38	Apakšējais plaukts (1 gab.)
39	Ritenītis ar blokētāju (2 gab.)
40	Ritenis (2 gab.)

Daļa	Apraksts
A	Skrūve (37 gab.)
B	Paplāksne (16 gab.)
C	Fiksācijas paplāksne (16 gab.)
D	Skrūve (4 gab.)
E	Riteņa šķelttapa (2 gab.)
F	Riteņa paplāksne (2 gab.)
G	Riteņa ass tapa (2 gab.)
H	Baterija (1 gab.)

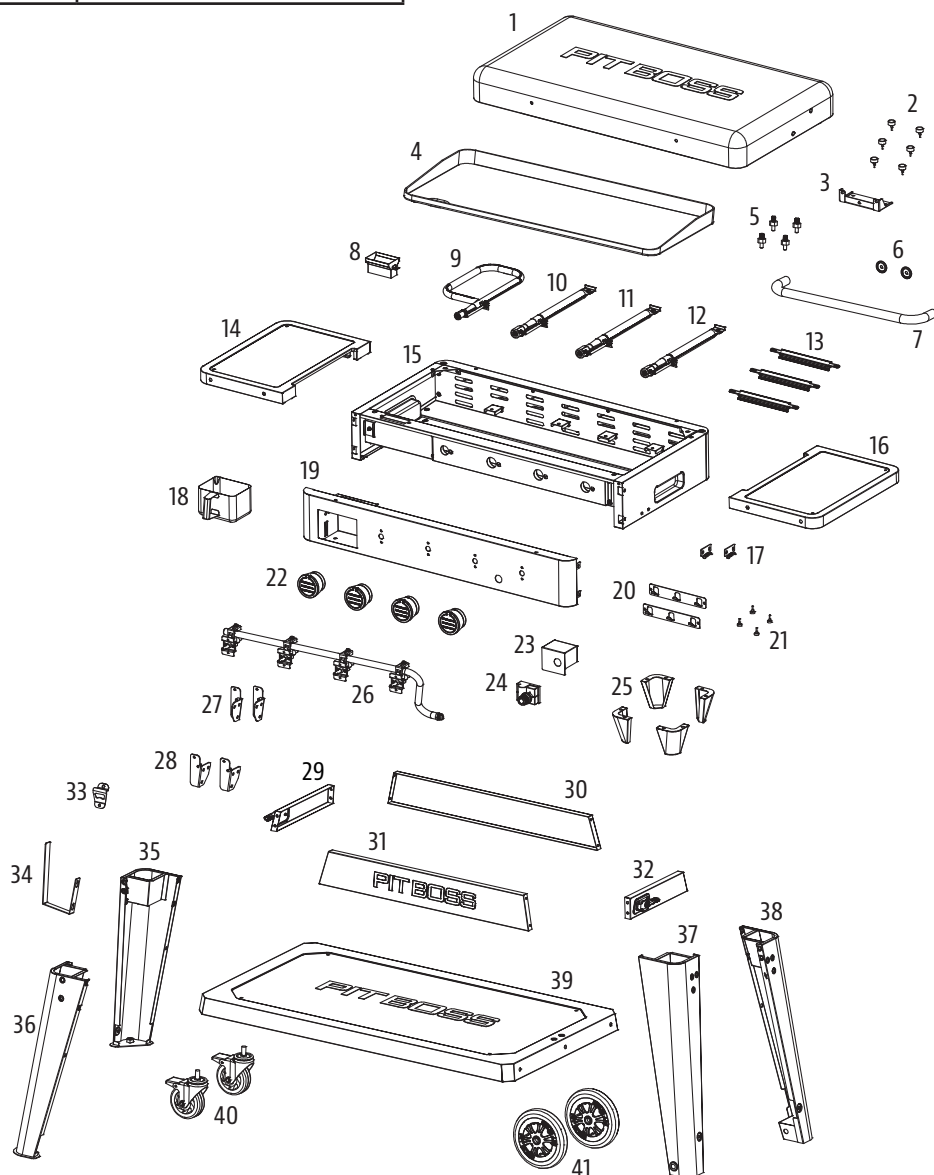


PIEZĪME: tā kā notiek pastāvīga izstrādājumu attīstība, daļām var tikt veiktas izmaiņas bez iepriekšēja paziņojuma.

## PB4BGD2

Part#	Description
1	Vāks (1 gab.)
2	Vāka atbalsta gumija (6 gab.)
3	Vāka balsts (1 gab.)
4	Karstā plāksne (1 gab.)
5	Karstās plāksnes kāju skrūves (4 gab.)
6	Vāka roktura stiprināšanas atloks (2 gab.)
7	Vāka rokturis (1 gab.)
8	Taukvielu noteka (1 gab.)
9	P veida deglis (1 gab.)
10	Kreisais deglis (1 gab.)
11	Vidējais deglis (1 gab.)
12	Labais deglis (1 gab.)
13	Degļu šķērsstienis (3 gab.)
14	Sānu plaukts — kreisais (1 gab.)
15	Kurtuves bloks (1 gab.)
16	Sānu plaukts — labais (1 gab.)
17	Fiksatora āķis (2 gab.)
18	Taukvielu trauks (1 gab.)
19	Kurtuves vadības panelis (1 gab.)
20	Sānu plaukta āķu panelis (2 gab.)
21	Sānu plaukta gumija (4 gab.)
22	Vadības poga (4 gab.)
23	Degļa karstuma vairogs (1 gab.)
24	Deglis (1 gab.)
25	Kurtuves kājiņa (4 gab.)
26	Vārstu bloks (1 gab.)
27	Sānu plaukta kronšteins — kreisais (2 gab.)
28	Sānu plaukta kronšteins — labais (2 gab.)
29	Ratiņu sānu panelis — kreisais (1 gab.)
30	Ratiņu aizmugurējais panelis (1 gab.)
31	Ratiņu priekšējais panelis (1 gab.)
32	Ratiņu sānu panelis — labais (1 gab.)
33	Pudeļu attaisāmais (1 gab.)
34	Papīra dvieļu turētājs (1 gab.)
35	Riteniša atbalsta kāja — aizmugurējā (1 gab.)
36	Riteniša atbalsta kāja — priekšējā (1 gab.)
37	Riteņa atbalsta kāja — priekšējā (1 gab.)
38	Riteņa atbalsta kāja — aizmugurējā (1 gab.)
39	Apakšējais plaukts (1 gab.)
40	Ritenītis ar bloķētāju (2 gab.)
41	Ritenis (2 gab.)

Daļa	Apraksts
A	Skrūve (37 gab.)
B	Paplāksne (16 gab.)
C	Fiksācijas paplāksne (16 gab.)
D	Skrūve (4 gab.)
E	Riteņa šķelttapa (2 gab.)
F	Riteņa paplāksne (2 gab.)
G	Riteņa ass tapa (2 gab.)
H	Baterija (1 gab.)



PIEZĪME: tā kā notiek pastāvīga izstrādājumu attīstība, daļām var tikt veiktas izmaiņas bez iepriekšēja paziņojuma.

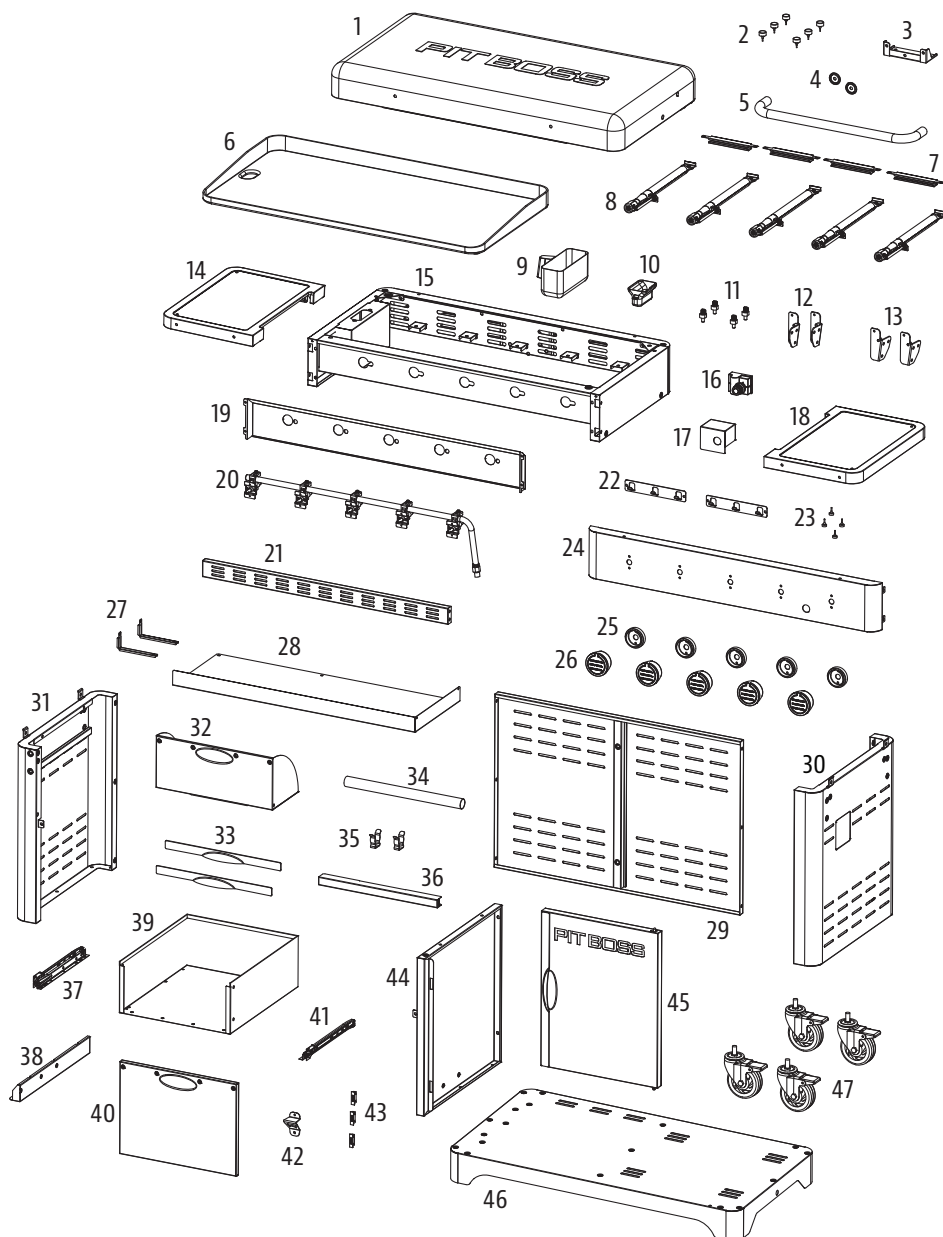


## PB5BGD2

Daļa	Apraksts
1	Vāks (1 gab.)
2	Vāka atbalsta gumija (6 gab.)
3	Vāka balsts (1 gab.)
4	Vāka roktura stiprināšanas atloks (2 gab.)
5	Vāka rokturis (1 gab.)
6	Karstā plāksne (1 gab.)
7	Degļu šķērsstienis (4 gab.)
8	Deglis (5 gab.)
9	Taukvielu trauks (1 gab.)
10	Taukvielu noteka (1 gab.)
11	Karstās plāksnes kāju skrūves (4 gab.)
12	Sānu plaukta kronšteins — kreisais (2 gab.)
13	Sānu plaukta kronšteins — labais (2 gab.)
14	Sānu plaukts — kreisais (1 gab.)
15	Kurtuves bloks (1 gab.)
16	Deglis (1 gab.)
17	Degļa karstuma vairogs (1 gab.)
18	Sānu plaukts — labais (1 gab.)
19	Priekšējais karstuma vairogs (1 gab.)
20	Vārstu bloks (1 gab.)
21	Ratiņu priekšējais panelis (1 gab.)
22	Sānu plaukta āķu panelis (2 gab.)
23	Sānu plaukta gumija (4 gab.)
24	Kurtuves vadības panelis (1 gab.)
25	Vadības pogas pamatne (5 gab.)
26	Vadības poga (x5)
27	Karstuma vairoga kronšteins (2 gab.)
28	Karstuma vairoga panelis (1 gab.)
29	Ratiņu aizmugurējais panelis (1 gab.)
30	Ratiņu sānu panelis — labais (1 gab.)
31	Ratiņu sānu panelis — kreisais (1 gab.)
32	Atvāzama atvilktne (1 gab.)
33	Atvilktnes rokturis (2 gab.)
34	Papīra dvieļu josla (1 gab.)
35	Aizturis (2 gab.)
36	Atvilktnes atbalsta stienis (1 gab.)
37	Atvilktnes sliede — kreisā (1 gab.)
38	Sliedes kronšteins (1 gab.)
39	Atvilktne (1 gab.)
40	Atvilktnes priekšpuse (1 gab.)
41	Atvilktnes sliede — labā (1 gab.)
42	Pudeļu attaisāmais (1 gab.)
43	Magnētiskais stiprinājums (3 gab.)
44	Ratiņu starpsiens (1 gab.)

Daļa	Apraksts
45	Skapiša durvis (1 gab.)
46	Ratiņu pamatne (1 gab.)
47	Ritenītis ar bloķētāju (4 gab.)
A	Skrūve (54 gab.)
B	Skrūve (2 gab.)

Daļa	Apraksts
C	Fiksācijas paplāksne (14 gab.)
D	Paplāksne (14 gab.)
E	Skrūve (14 gab.)
F	Skrūve (6 gab.)
G	Baterija (1 gab.)



PĪEZĪME: tā kā notiek pastāvīga izstrādājumu attīstība, daļām var tikt veiktas izmaiņas bez iepriekšēja paziņojuma.

# GARANTĪJA

## NOSACĪJUMI

Visām uzņēmuma Dansons ražotajām Pit Boss® gāzes pannas ierīcēm tiek nodrošināta ierobežota garantija, kas attiecas uz ierīces sākotnējo īpašnieku un stājas spēkā no pārdošanas datuma. Garantijas segums stājas spēkā pirkuma sākotnējā datumā, un garantijas apstiprināšanai ir nepieciešams pirkuma datuma apliecinājums vai oriģinālā pirkuma apliecinājuma kopija. Ja klienti nevar nodrošināt pirkuma apliecinājumu vai garantijas termiņš ir beidzies, klientiem tiek piemērota maksa par daļām, sūtīšanu un apstrādi. Uzņēmums Dansons nodrošina divu (2) gadu garantiju attiecībā uz defektiem un apdari visām daļām. Dansons garantē, ka nevienai daļai nebūs materiālu un apdares defektu, kamēr ierīce atradīsies tās sākotnējā pircēja īpašumā. Garantija neaptver nolietojuma un nodiluma izraisītus bojājumus, piemēram, skrāpējumus, iespaidumus, iesitumus, robus vai sīkas kosmētiskas plaisas. Šīs pannas ierīces estētiskā izskata izmaiņas neietekmē tās veiktspēju. Nevienas daļas remonta vai nomainas garantija nepārsniedz ierobežoto garantiju, kas ir divi (2) gadi kopš pirkuma datuma.

Garantijas termiņa laikā Dansons saistības attiecas tikai uz tādu komponentu nomainu, kuriem ir konstatēts defekts un/vai radusies atteice. Garantijas perioda laikā uzņēmums Dansons nepiemēro maksu par atgriezto daļu remontu vai nomainu (ar sūtīšanas priekšapmaksu), ja pārbaudes laikā Dansons konstatē, ka daļai(-ām) ir defekts. Uzņēmums Dansons neuzņemas atbildību par transportēšanas izmaksām, darba izmaksām un eksporta nodevām. Izņemot šajos garantijas nosacījumos norādīto, daļu remonts vai nomaina šeit iepriekš aprakstītajā veidā un laika periodā aptver visu tiešo un atvasināto Dansons saistību un pienākumu pret jums izpildi. Izmantojot materiālus, kas aizkavē rūšēšanu, Dansons veic visus iespējamus piesardzības pasākumus. Tomēr pat ar šo aizsardzību aizsargpārklājumus var nelabvēlīgi ietekmēt dažādas vielas un apstākļi, kas nav Dansons kontrolē. Augsta temperatūra, pārmērīgs mitrums, hlors, industriālie izgarojumi, mēslojums, zālāja pesticīdi un sāls ir tikai dažas no vielām, kas var ietekmēt metāla pārklājumus. Šo iemeslu dēļ garantija neattiecas uz rūsu vai oksidāciju, ja vien pannas ierīces komponentiem nav zudusi konstrukcijas integritāte. Ja rodas kādi no iepriekš minētajiem apstākļiem, lūdzu, skatiet kopšanas un apkopes sadaļu, lai uzzinātu, kā paildzināt ierīces darbību. Dansons iesaka izmantot pārsegu, kad pannas ierīce netiek lietota.

Šīs garantijas pamatā ir pannas ierīces normāla izmantošana un apkope mājāsaimniecībā, un ierobežotās garantijas segums neattiecas uz pannas ierīci, kas tiek izmantota komerciāliem nolūkiem.

## IZŅĒMUMI

Pit Boss® grila ierīcēm nav nedz rakstiskas, nedz netiešas veiktspējas garantijas, jo ražotājs nevar kontrolēt to uzstādīšanu, lietošanu, tīrīšanu, apkopi un izmantotā kurināmā veidu. Šī garantija netiek piemērota un uzņēmums Dansons neuzņemas atbildību, ja ierīce nav uzstādīta, ekspluatēta, tīrīta un uzturēta stingrā atbilstībā šai lietotāja rokasgrāmatai. Ja notiek jebkāda šajā rokasgrāmatā nenorādīta gāzes izmantošana, tas var būt garantijas anulēšanas iemesls. Garantija neattiecas uz bojājumiem un salūšanu, ko izraisījis nepienācīga vai nepareiza izmantošana vai ierīces modifikācijas. Nedz uzņēmums Dansons, nedz pilnvarots Pit Boss® grilu izplatītājs neuzņemas juridisku vai jebkādu citu atbildību par tādiem nejausiem vai izrietošiem kaitējumiem īpašumam vai personām, kas rodas šī izstrādājuma lietošanas rezultātā. Ja pret uzņēmumu Dansons tiek iesniegta prasība, kuras pamatā ir šīs garantijas vai jebkura cita veida tiesības vai netiešas ar likumu noteiktas garantijas pārkāpums, ražotājs nekādā gadījumā neuzņemas atbildību ne par kādiem tiešiem, netiešiem, izrietošiem vai citiem jebkāda rakstura kaitējumiem, kas pārsniedz šī izstrādājuma sākotnējo pirkumu. Visas ražotāja garantijas ir izklāstītas šeit, un ražotājam nevar tikt iesniegtas nekādas prasības par garantiju vai pārstāvību. Dažās valstīs nav atļauts izslēgt vai ierobežot netiešos vai izrietošos kaitējumus, tāpēc šajā ierobežotajā garantijā izklāstītie ierobežojumi var neattiekties uz jums. Šī ierobežotā garantija jums piešķir specifiskas likumīgās tiesības, un jums var būt citas tiesības, kas dažādās valstīs atšķiras.

## REZERVES DAĻU PASŪTĪŠANA

Lai pasūtītu rezerves daļas, lūdzu, sazinieties ar vietējo Pit Boss® grilu izplatītāju vai apmeklējiet mūsu tiešsaistes veikalu vietnē [www.pitboss-grills.com](http://www.pitboss-grills.com)

## SAZIŅA AR KLIENTU APKALPOŠANAS NODAĻU

Ja jums ir radušies kādi jautājumi vai problēmas, lūdzu, sazinieties ar klientu apkalpošanas centru vietnē [www.pitboss-grills.com](http://www.pitboss-grills.com)

## GARANTIJAS APKOPE

Lai veiktu remontu vai pasūtītu rezerves daļas, sazinieties ar tuvāko Pit Boss® grilu izplatītāju. Garantijas prasības noteikšanai saskaņā ar Dansons prasībām ir nepieciešams pirkuma apliecinājums, tāpēc saglabājiet oriģinālo pirkuma čeku vai rēķinu turpmākai atsaucei. Sava Pit Boss® sērijas un modeļa numuru varat atrast tieši uz ierīces. Pierakstiet šos numurus šeit, jo etiķete var nolietoties vai kļūt nesalasāma.

MODELIS

SĒRIJAS NUMURS

PIRKUMA DATUMS

PILNVAROTAIS IZPLATĪTĀJS

## SAUGOS INFORMACIJA

# PAGRINDINĖS PRIETAISO GAISRŲ PRIEŽASTYS – PRASTA TECHNINĖ PRIEŽIŪRA IR SAUGAUS ATSTUMO IKI DEGIŲ MEDŽIAGŲ NEIŠLAIKYMAS. YPAČ SVARBU, KAD ŠIS PRODUKTAS BŪTŲ NAUDOJAMAS TIK PAGAL TOLIAU PATEIKTAS INSTRUKCIJAS.

Perskaitykite ir supraskite visą vadovą prieš bandydami surinkti, eksploatuoti arba montuoti gaminį. Taip užtikrinsite maloniausią ir sklandžiausią savo naujojo nešiojamojo dujų keptuvo eksploatavimą. Taip pat patariame saugoti šį vadovą, jei prireiktų ateityje.

### PROPANO DUJŲ ĮSPĖJIMAI

#### PAVOJUS

Jeigu užuodžiate dujas:

- Išjunkite prietaiso dujų tiekimą
- Užgesinkite bet kokią atvirą liepsną.
- Atidarykite dangtį.
- Jei kvapas išlieka, pasitraukite nuo prietaiso ir iš karto paskambinkite savo dujų tiekėjui arba priešgaisrinei tarnybai.

#### ĮSPĖJIMAS

- Šalia šio arba bet kurio kito prietaiso nelaikykite ir nenaudokite benzino arba kitų degių skysčių ar garų.
- Šalia šio arba bet kurio kito prietaiso nelaikykite LP bako, kuris nėra prijungtas naudoti.
- Norint naudoti prietaisą, reikia tiksliai pripildyto standartinio G30 / G31 kepsninėms skirto skysto propano („LP“) dujų cilindro su išoriniais vožtuvų sriegiais. Didžiausias cilindro skersmuo ir didžiausias aukštis yra 300 mm (11,8 col.) bei 600 mm (23,6 col.).

1. Įsitikinkite, kad dujų cilindras įsigytas iš patikimo tiekėjo. Netinkamai pripildytas arba perpildytas LP bakas gali būti pavojingas. Perpildžius ir LP dujų bakui įšilus (karšta vasaros diena, bakas paliktas saulėje ir kt.) gali imti skirtis LP dujos, nes pakilus temperatūrai dujos plečiasi. Iš cilindro išsiskyrusios dujos yra degios ir gali sprogti.
2. Nenaudokite LP dujų cilindro, jeigu pažeistas jo vožtuvas arba yra įrانتų, skaptavimo, atsikišimų, ugnies padarytos žalos, korozijos, nuotėkio, per didelio rūdijimo arba kitokios išorėje matomos žalos požymių; tai gali būti pavojinga ir turėtų kuo skubiau patikrinti skysto propano tiekėjas.

**Jeigu matote, užuodžiate arba girdite iš cilindro išeinančių dujų šnypštimą, nemėginkite prietaiso uždegti. Užgesinkite bet kokią atvirą liepsną. Atjunkite degalų tiekimą.**

3. Neprijunkite arba neatjunkite dujų cilindro, kai įrenginys naudojamas arba dar karštas. Kai keptuvas nenaudojamas, regulatoriaus rankenėlę pasukite į padėtį OFF (išjungta) ir dujų cilindrą atjunkite. Niekada neperkelkite ir netransportuokite įrenginio, kai prijungtas dujų cilindras. Nelaikykite atsarginio LP dujų cilindro po prietaisu arba arti jo.
4. Cilindrai turi būti laikomi lauke, vaikams nepasiekiamoje vietoje. Jų negalima laikyti pastate, garaže ar kitoje uždaroje vietoje.

5. Neuždenkite šio prietaiso degimo ir vėdinimo srauto. Degiklio vamzdelis ir liukai turi būti švarūs ir be nuosėdų. Prieš naudodami nuvalykite. Reguliari priežiūra ir techninė priežiūra pailgina jūsų prietaiso naudojimo trukmę.
6. Visada prijungdami ir atjungdami reguliatorių nuo dujų cilindro patikrinkite, ar nėra dujų nuotėkių, ypač po ilgesnio nenaudojimo (pavyzdžiui, po žiemos). Patikrinkite visas jungtis, ar nėra nuotėkių, muilino vandens tirpalu ir šepetėliu. Niekada netikrinkite, ar yra nuotėkių, naudodami atvirą liepsną.
7. Nuvalykite ir patikrinkite dujų reguliatorių prieš kiekvieną dujinio lauko kepimo prietaiso naudojimą. Prieš naudodami pakeiskite dujų reguliatorių, jei yra didelio nutrynimo arba nusidėvėjimo požymių.
8. Šį prietaisą naudokite tik su suskystinta nafta, kaip nurodyta įrenginio klasės lentelėje. Nenaudokite kepsninės su kitomis dujomis. Nemėginkite šio LP įrenginio perdaryti į gamtinių dujų įrenginį. Nesilaikant šio įspėjimo gali kilti gaisras, galima susižaloti ir nustos galioti jūsų garantija.
9. Degiklio vamzdžio vieta angos atžvilgiu yra gyvybiškai svarbi saugiam darbui. Prieš pradėdami naudoti dujų groteles, patikrinkite, ar anga yra degiklio vamzdžio viduje. Jei degiklio vamzdelis netelpa virš vožtuvo angos, degiklio uždegimas gali sukelti sprogamą ir (arba) gaisrą.

## PAVOJAI IR ĮSPĖJIMAI

**Susisiekite su vietos namų asociacijos, pastato arba priešgaisrinės apsaugos pareigūnais ar kompetentinga institucija, kad gautumėte jūsų regione reikiamus leidimus, misiją arba informacijos apie montavimo apribojimus, pvz., kepsninė montuojama ant degaus paviršiaus, patikros reikalavimus arba galimybę naudoti prietaisą.**

1. Nuo degių konstrukcijų iki keptuvo šonų ir nuo keptuvo galo iki degių konstrukcijų reikia išlaikyti mažiausiai 1270 mm (50 col.) tarpą. **Nemontuokite prietaiso ant degių grindų arba grindų, apsaugotų degiomis dangomis, nebent iš kompetentingos institucijos gavote tinkamus leidimus.** Nenaudokite šio prietaiso viduje, uždaroje arba nevėdinamoje vietoje, namo viduje, transporto priemonėse, palapinėse, garažuose. Šio LP dujų kepimo prietaiso negalima statyti po kabančiomis degiomis lubomis arba iškyšomis. Laikykite keptuvą vietoje, kurioje nėra degių medžiagų, benzino ir kitų degių garų bei skysčių.

**Užsidegus riebalams, IŠJUNKITE kepsninę, kol liepsna užges. Nepilkite vandens. Nebandykite nuslopinti ugnies. Netoliese laikykite universalų (ABC klasės) patvirtintą gesintuvą. Kilus nekontroliuojamam gaisrui, susisiekite su priešgaisrine tarnyba.**

2. Ši lauko kepsninė neskirta įrengti poilsio transporto priemonėse, laivuose arba ant jų.

**Niekada nenaudokite šio prietaiso uždaroje erdvėje, pvz., kemperyje, palapinėje, automobilyje, laive arba namuose. Šis prietaisas neskirtas ir neturėtų būti naudojamas kaip šildytuvas.**

3. Šio prietaiso nerekomenduojama naudoti vaikams, mažesnių fizinių, jutiminių ar psichinių gebėjimų asmenims arba asmenims, kuriems trūksta patirties ir žinių, nebent juos tiesiogiai prižiūri arba instruktuoja už jų saugą atsakingas asmuo.
4. Kepsninės dalys gali labai įkaisti, todėl galima rimtai susižaloti. Naudodami prietaisą, neleiskite greta stovėti vaikams ir augintiniams. Nelieskite karštų paviršių. Visada naudokite karščiui atsparias pirštines, žnyples ilgomis rankenomis ar kepimo pirštines, nes kepsninė labai įkaista.
5. Niekada nenaudokite kepsninės, jei po ugniadėže nesumontuotas ir nepakabintas riebalų indas. Be riebalų indo karšti riebalai ir nešvarumai gali nutekėti žemyn ir sukelti gaisro pavojų.

## ANGLIES MONOKSIDAS („TYLUSIS ŽUDIKAS“)

Dujų prietaisą visada naudokite lauke, atviroje gerai vėdinamoje vietoje, kad neįkvėptumėte nuodingų dūmų iš degančių ar nutekančių dujų. Anglies monoksidas yra bespalvės, bekvapės, beskonės dujos, kurios susidaro degant dujoms, medienai, propanui, akmens anglims arba kitokiam kurui. Anglies monoksidas mažina kraujo gebėjimą pernešti deguonį. Mažas deguonies kiekis kraujyje gali lemti galvos skausmą, svaigulį, silpnumą, pykinimą, vėmimą, mieguistumą, sutrikimą, sąmonės netekimą arba mirtį. Laikykitės tolesnių nurodymų, kad neapsinuodytumėte šiomis bespalvėmis, bekvapėmis dujomis ir jomis neapsinuodytų jūsų artimieji arba kiti asmenys.

- Kreipkitės į gydytoją, jei jūs arba kiti asmenys pajaučiate peršalimo arba gripo simptomus gamindami šiuo prietaisu ar būdami netoli jo. Apsinuodijimas anglies monoksidu (lengvai supainiojamas su peršalimu arba gripu) dažnai nustatomas per vėlai.
- Apsinuodijimo anglies monoksidu poveikis sustiprėja vartojant alkoholį arba narkotikus.

Anglies monoksidas ypač nuodingas motinai ir vaikui nėštumo metu, kūdikiams, pagyvenusiems, rūkantiems ir žmonėms, turintiems kraujo arba kraujotakos sistemos sutrikimų, pvz., sergantiems anemija arba širdies liga.

## SAUGOS SĄRAŠAS

Atsižvelgiant į „Conformité Européenne“ (Europos patvirtinimo) (CE) procedūras ir specifikacijas, „Pit Boss® Grills“ dujų prietaisų atitiktis įrodyta atliekant bandymus pagal standartus ir direktyvas, atitinkančius visus ES (Europos Sąjungos) ir Europos ekonominės erdvės (EEE) saugos, sveikatos ir aplinkos apsaugos reikalavimus.



	ŠILUMOS PADAVIMAS	DEGIKLIŲ SKAIČIUS		DEGIKLIO TIPAS	INJEKTORIAUS DYDIS	DUJOS / SLĖGIS	NAUDOJIMO ŠALIS
		TIESUS DEGIKLIS	P-DEGIKLIS				
<b>PB2BGD2</b>	7,63 KW G30 – 555 g/h G31 – 545 g/h	1	1	TIESUS DEGIKLIS	0,8 mm	G30 – 28–30 mbar G31 – 37 mbar G30 / G31 mišinys – 30 mbar	<b>I3+ (28-30/37) :</b> BE, CH, CY, CZ, ES, FR, GB, GR, IE, IT, LT, LU, LV, PT, SK, SI  <b>I3B/P (30) :</b> BE, CY, DK, EE, FR, GB, HU, IT, LT, NL, NO, SE, SI, SK, RO, HR, TR, BG, IS, LU, MT, FI  <b>I3B/P (37) :</b> PL  <b>I3B/P (50) :</b> AT, DE, SK, CH
<b>PB3BGD2</b>	10,5 KW G30 – 768 g/h G31 – 755 g/h	2	1		0,75 mm	G30 / G31 mišinys – 37 mbar	
					0,72 mm	G30 / G31 mišinys – 50 mbar	
<b>PB4BGD2</b>	13,49 KW G30 – 982 g/h G31 – 964 g/h	3	1	P-DEGIKLIS	1,02 mm	G30 – 28–30 mbar G31 – 37 mbar G30 / G31 mišinys – 30 mbar	
					0,97 mm	G30 / G31 mišinys – 37 mbar	
					0,93 mm	G30 / G31 mišinys – 50 mbar	
<b>PB5BGD2</b>	14,65 KW G30 – 1066 g/h G31 – 1047 g/h	5	0				



## PRANEŠIMAS APIE AUTORIŲ TEISES

Autorių teisės 2021 m. Visos teisės saugomos. Jokios šio vadovo dalies negalima kopijuoti, perduoti, perrašyti, saugoti paieškos sistemoje bet kokia forma arba bet kokiomis priemonėmis be aiškaus rašytinio leidimo iš įmonės:

### **DANSONS EUROPE**

11 Rue Galvani Paryžius, Prancūzija 75017

### **DANSONS ŠIAURĖS AMERIKA**

3411 North 5th Avenue, Suite 500, Phoenix, AZ, USA 85013

### KLIENTŲ APTARNAVIMAS

[www.pitboss-grills.com](http://www.pitboss-grills.com)

## TURINYS

Saugos informacija .....	242
<b>Prijungimas prie dujų šaltinio</b>	
Reikalavimai dujų cilindrai.....	246
Dujų jungties montavimas prie kolektoriaus.....	246
Dujų cilindro prijungimas.....	247
Paruošimas naudoti – tikrinimas, ar nėra nuotėkio.....	248
Dujų cilindro atjungimas.....	248
<b>Naudojimo instrukcijos</b>	
Keptuvo aplinka .....	249
Naudojimas pirmą kartą – keptuvo nudeginimas .....	250
Užkūrimo procedūra.....	250
Rankinio uždegimo procedūra.....	251
Keptuvo išjungimas.....	251
Keptuvo nukėlimas nuo vežimėlio .....	252
Šiukšlių maišo laikiklio naudojimas .....	253
Priežiūra ir techninė priežiūra .....	254
Patarimai ir metodai .....	255
Gedimų diagnostika ir šalinimas .....	256
Atsarginės dalys .....	257
Garantija.....	261

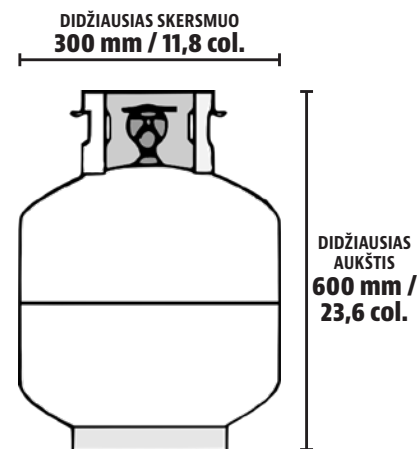
# PRIJUNGIMAS PRIE DUJŲ ŠALTINIO

## REIKALAVIMAI DUJŲ CILINDRUI

Norint naudoti prietaisą, reikia tiksliai pripildyto standartinio G30 / G31 kepsninėms skirto skysto propano („LP“) dujų cilindro su išoriniais vožtuvų srieigiais. Naudokite standartinį, ne ilgesnį nei 1,5 m (59 col.) lankstųjį vamzdelį. Visas sumontuoto vamzdelio ilgis turi būti aiškiai matomas, kad jį būtų galima apžiūrėti.

Didžiausias cilindro skersmuo ir didžiausias aukštis yra 300 mm (11,8 col.) bei 600 mm (23,6 col.), kaip parodyta iliustracijoje.

**PERSPĖJIMAS.** Būtina turėti tinkamą reguliatorių, kuriam taikomas standartas yra EN16129, ir buteliuką, kad kepsninė veiktų saugiai bei efektyviai. Naudojant netinkamą ar sugedusį reguliatorių kyla pavojų ir nebegalioja bet kokia garantija. Svarbu patikrinti visą vamzdelio ilgį. Jei akivaizdus didelis nutrynimasis arba nusidėvėjimas ar vamzdelis įpjautas, jį reikia pakeisti prieš naudojant prietaisą.



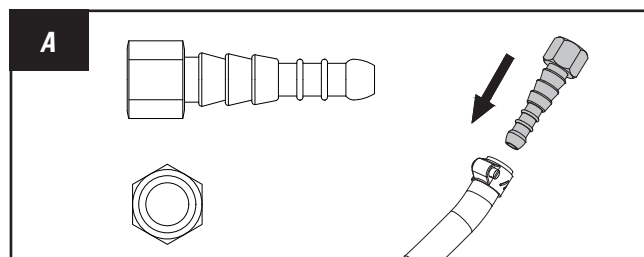
## DUJŲ JUNGTIES MONTAVIMAS PRIE KOLEKTORIAUS

Ne visi platintojai parduoda keptuvą kartu su reguliatoriumi – tai priklauso nuo pirkimo vietos ir šalies. Pateikiamas kolektoriaus jungčių rinkinys, jei dujų reguliatorius nebus surinktas iš anksto. Iš pateikto kolektoriaus jungčių rinkinio pasirinkite jungtį, kuri tinka jūsų dujų kolektoriui ir reguliatoriaus vamzdeliui. Nukelkite arba atjunkite keptuvą nuo vežimėlio, kad lengviau sumontuotumėte dujų jungtį. Siekdami išvengti subraižymų ir pažeidimų, padėkite apverstą keptuvą ant kartono.

- **JUNGTIS A – KŪGINĖ**

Įkiškite kūginę jungties galą į reguliatoriaus vamzdelį, tada tvirtai užfiksukite naudodami žarnos spaustuką.

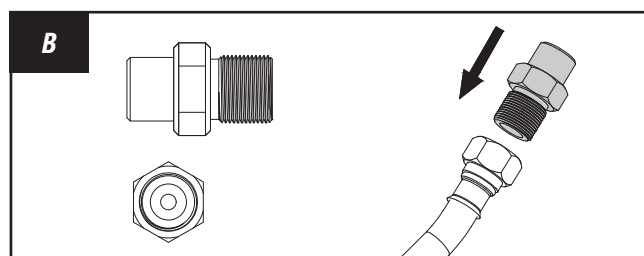
Žr. iliustraciją A.



- **JUNGTIS B – SRIEGINĖ**

Įkiškite srieginę išorinę jungtį į reguliatoriaus vamzdelio vidinę jungtį. Pasukite, kad priveržtumėte iki galo.

Žr. iliustraciją B.



Atlikite kitą dujų cilindro montavimo veiksmą. Keptuvą palikite nuimtą nuo vežimėlio.



## DUJŲ CILINDRO PRIJUNGIMAS

**SVARBU.** Jei su kolektoriumi reikia naudoti jungtį, prieš prietaisą prijungdami prie dujų cilindro, įvykdysite jungties montavimo instrukcijas.

Prieš jungdami įsitinkinkite, kad dujų cilindro galvutėje, reguliatoriaus vožtuvo galvutėje ar degiklio galvutėje ir angose nėra įstrigusių nešvarumų.

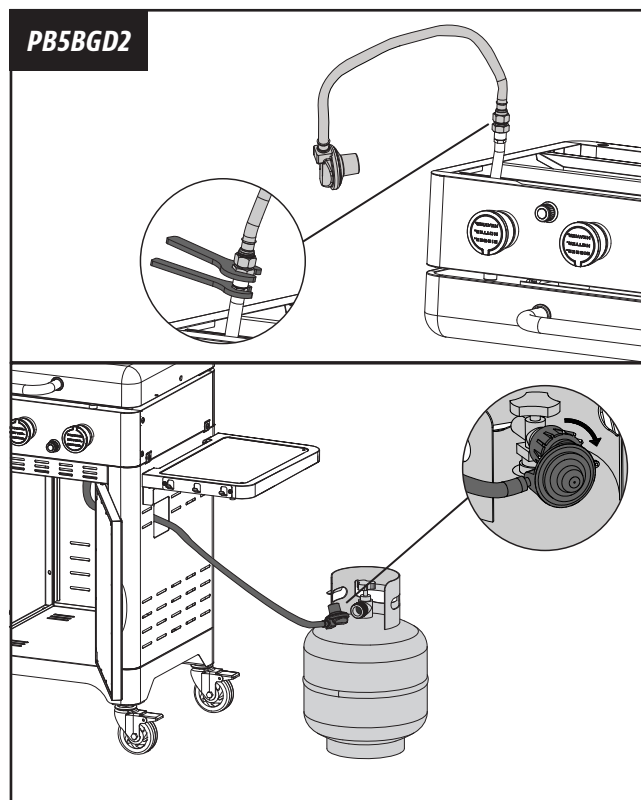
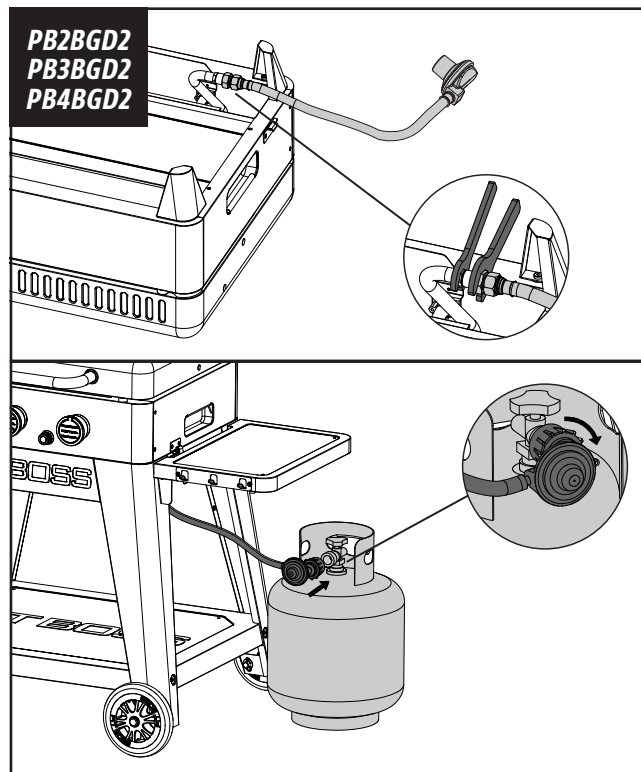
1. Jei reguliatorius įmontuotas iš anksto, pereikite prie kito veiksmo.

Jei jungtis iš kolektoriaus jungčių rinkinio buvo sumontuota, palikite keptuvą nuimtą nuo vežimėlio, kad sumontuotumėte reguliatorių. Prijunkite reguliatoriaus vamzdelio liniją prie keptuvo kolektoriaus, visiškai priverždami veržliarakčiu. Sumontavę reguliatorių ir reguliatoriaus vamzdelį, vėl įstatykite keptuvą į vežimėlį. Įstatę keptuvą atgal į vežimėlį, įsitinkinkite, kad reguliatoriaus vamzdelis nebūtų kaip nors susuktas ar užspaustas.

2. Jeigu naudojate keptuvą su spintele, ištraukite reguliatorių ir reguliatoriaus vamzdelį per angą, esančią dešiniojoje spintelės sienelėje.
3. Pastatykite dujų cilindrą prie spintelės iš dešinės. Įsitinkinkite, kad dujų cilindro vožtuvas yra padėtyje CLOSED (uždaryta). Svarbu užtikrinti, kad dujų cilindras stovėtų visiškai stačiai, nes nesaugu naudoti keptuvą, jei dujų cilindras stovi ant nelygaus ar nestabilius paviršiaus.
4. Įsitinkinkite, kad keptuvo valdymo rankenėlės visiškai išjungtos, pasukdami rankenėlę pagal laikrodžio rodyklę į padėtį „O“ (OFF) (išjungta).
5. Nuo reguliatoriaus vožtuvo angos ir dujų cilindro viršaus nuimkite apsauginius dangtelius. Dangtelius saugokite.
6. Dujų cilindro vožtuvą įstatykite į srieginę reguliatoriaus vožtuvo angą. Pagal laikrodžio rodyklę tvirtai užveržkite greitą jungtį. Veržkite tik ranka.
7. Dabar dujų cilindras yra įtaisytas. Atlikite nuotėkio patikrą.

**ĮSPĖJIMAS.** Užuodę dujas, dujų cilindrą užsukite. Bandykite dujų cilindrą įstatyti dar kartą ir užtikrinkite, kad tinkamai prijungtas vamzdelis. Atlikite nuotėkio patikrą.

**PASTABA.** Įprastas dujų srauto tekėjimas per sumontuotą reguliatorių ir žarną gali sukelti dūzgiantį garsą. Nedidelis triukšmas yra visiškai normalu, jis neturės įtakos keptuvo veikimui. Jei dūzgiantis garsas yra garsus ir pernelyg intensyvus, galbūt reikia pašalinti orą iš dujų linijos arba iš naujo nustatyti įrenginį, reguliuojantį perteklinį dujų srautą. Tokia oro šalinimo procedūra turi būti atliekama kaskart prijungiant naują LP dujų baką prie keptuvo.



## PARUOŠIMAS NAUDOTI – TIKRINIMAS, AR NĖRA NUOTĖKIO

Norint nustatyti sandarumą, atliekama nuotėkio patikra. Prieš naudodami dujų kepsninę, atlikite regulatoriaus ir dujų cilindro jungties nuotėkio patikrą, kad sumažėtų sunkaus arba mirtino susižalojimo dėl gaisro ar sproginimo pavojus. Nuotėkio patikra turėtų būti atliekama bent kartą per sezoną, taip pat:

- prieš uždegant kepsninę pirmą kartą,
- kiekvieną kartą, kai pakeičiamas dujų cilindras,
- po kelionės, ypač nelygiais arba duobėtais keliais,
- po ilgalaikio saugojimo arba nenaudojimo laikotarpio.

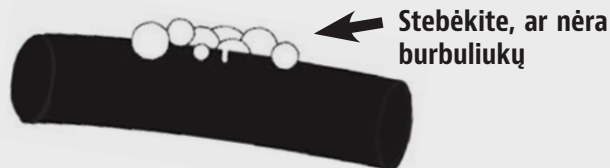
### KAIP ATLIKTI NUOTĖKIO PATIKRA

#### Reikalingos dalys

- 1 x Dubuo (*tuščias, švarus*)
- 1 x Dažų teptukas (*švarus*)
- Indų ploviklis
- Vanduo

#### Procedūra:

1. Pastatykite kepsninę gerai vėdinamoje vietoje. Paliesdami įsitinkinkite, kad kepsninė atvėsusi ir nenaudojama. Patikrinkite, ar regulatoriaus vožtuvas nustatytas į padėtį OFF (išjungta) ir ar dujų cilindras patikimai pritaisytas prie regulatoriaus.



**SVARBU. Įsitinkinkite, kad arti nėra atviros liepsnos arba rūkančiųjų.**

2. Dubenyje sumaišykite vieną vandens dalį ir vieną indų ploviklio dalį. Koncentruotame tirpale susidarys burbuliukų.
3. Dažų teptuku užtepkite tirpalo ant sandariklio tarp regulatoriaus ir dujų cilindro. Apžiūrėkite, ar nėra burbuliukų ties sandariklio defektu arba plyšiu.

**PASTABA. Jei pasirodo nuotėkis, pakartokite dujų cilindro montavimo procedūrą, bet neprivėrkite per stipriai. Vėrkite tik ranka. Iš naujo sumontavę pakartokite nuotėkio patikrą, kad užtikrintumėte sandariklio tvirtumą.**

**SVARBU. Nenaudokite dujų kepsninės, jei aptinkate dujų nuotėkį, kurio negalima pašalinti naudojant nuotėkio patikros procedūrą. Dėl kitokių patikros priemonių kreipkitės į vietinę priešgaisrinę tarnybą arba klientų aptarnavimo tarnybą, kad būtų užtikrintos tinkamos atsargumo priemonės.**

## DUJŲ CILINDRO ATJUNGIMAS

1. Įsitinkinkite, kad kepsninės valdymo rankenėlė visiškai užsukta, pasukdami ją į padėtį OFF (išjungta). Pasukite LP dujų cilindro vožtuvą į UŽSUKTĄ padėtį ir leiskite išsukti regulatoriaus rankenėlei.
2. Pasukite cilindrą prieš laikrodžio rodyklę (ranka), kad atjungtumėte nuo regulatoriaus vožtuvo angos. Prieš padėdami į laikymo vietą, pakeiskite regulatoriaus vožtuvo angos ir dujų cilindro viršaus apsauginius dangtelius (jei nėra tuščias).

**SVARBU. Jei kepsninė laikoma viduje, dujų cilindrą palikite lauke.**

**ĮSPĖJIMAS. Nevežkite kepsninės su pritaisytu dujų cilindru. Cilindras gali atsilaisvinti nuo vožtuvo ir sukelti dujų nuotėkį bei sproginimą, gaisrą arba rimtai sužaloti. Prieš perveždami arba padėdami į laikymo vietą, dujų cilindrą atjunkite. Jei kepsninė laikoma viduje, dujų cilindrą palikite lauke.**

# NAUDOJIMO INSTRUKCIJOS

## KEPTUVO APLINKA

### 1. KUR PASTATYTI KEPTUVĄ

Kaip ir visiems lauko prietaisams, jūsų keptuvo eksploatacinėms savybėms ir maisto ruošimo laikui didelę įtaką daro oro sąlygos. Visus „Pit Boss® Grills“ prietaisus būtina pastatyti bent 1270 mm (50 col.) atstumu nuo degių konstrukcijų ir šis atstumas turi būti išlaikytas, kai prietaisas naudojamas. Šio prietaiso negalima statyti po kabančiomis degiomis lubomis arba iškyšomis. Laikykite keptuvą vietoje, kurioje nėra degių medžiagų arba kitokių degių garų bei skysčių.

### 2. KEPIMAS ŠALTU ORU

Atšalę orai nereiškia, kad kepimo ant grotelių sezonas baigėsi! Gaivus vėsus oras ir dieviškas kepto maisto aromatas padės įveikti žiemos melancholiją. Vadovaukitės tolesniais pasiūlymais norėdami mėgautis kepsnine šaltėniu oru.

- Susitvarkykite – pasiruoškite viską, ko reikia virtuvėje, prieš išeidami į lauką. Žiemą perkelkite kepsninę į vietą, apsaugotą nuo vėjo ir tiesioginio šalčio. Patikrinkite vietos reglamentus, kad išsiaiškintumėte, kokių atstumu jūsų kepsninė turi būti pastatyta nuo namų ir (arba) kitų konstrukcijų. Padėkite viską ant padėklo, gerai išdėliokite ir gaminkite!
- Norėdami lengvai stebėti lauko temperatūrą, šalia gamavimo zonos įrenkite lauko termometrą. Užsirašykite, ką kepėte, lauko temperatūrą ir kepimo laiką. Tai vėliau padės nustatyti, ką kepėte ir kiek laiko tai užtruko.
- Pasiruoškite šildomą lėkštę arba lėkštės dangtį, kad maistas išliktų šiltas, kol eisite į vidų.

### 3. KEPIMAS KARŠTU ORU


Šylant orui lauke kepimo laikas trumpės. Vadovaukitės tolesniais pasiūlymais norėdami mėgautis kepsnine karštu oru.

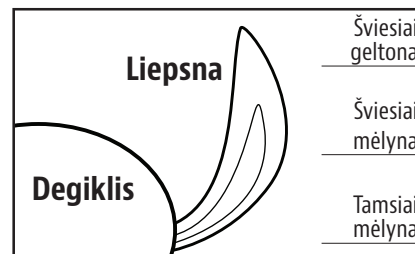
- Sumažinkite kepimo temperatūrą. Taip išvengsite nepageidaujamo įsiliepsnojimo.
- Mėsos termometru nustatykite maisto vidaus temperatūrą. Taip išvengsite mėsos perkepimo ir išdžiūvimo.
- Galite išlaikyti maistą karštą įvynioję jį į foliją ir įdėję į izoliuotą šaltkrepsį. Apsukite foliją suglamžytais laikraščiais ir jūsų maistas išliks karštas 3–4 val.

## NAUDOJIMAS PIRMĄ KARTĄ – KEPTUVO NUDEGINIMAS

Prieš pirmą kartą naudojant keptuvą su maistu, svarbu atlikti nudeginimą. Užkurkite keptuvą ir mažiausiai 15 minučių palikite veikti AUKŠTOJE temperatūroje, kad prietaisą nudegintumėte. Taip bus karščiu išvalyti vidiniai komponentai, pašalinti kvapai ir pašalinės medžiagos.

### UŽKŪRIMO PROCEDŪRA

1. Uždegimo metu atidarykite dangtį.
2. Visas valdymo rankenėles nustatykite į padėtį „0“.
3. Atidarykite cilindro / dujų vožtuvą, laikydamiesi ant bako pateiktų naudojimo instrukcijų.
4. Paspauskite ir pasukite degimo valdymo rankenėlę prieš laikrodžio rodyklę į uždegimo padėtį .
5. Spauskite uždegiklio mygtuką, kol degiklis užsidegs.
6. Jei degiklis neuždegamas per 5 sekundes, pasukite vožtuvą į padėtį „0“, palaukite 5 minutes ir vėl bandykite uždegti pagal instrukcijas. Uždegę stebėkite degiklio liepsną. Įsitikinkite, kad visos degiklio angos dega, o liepsnos aukštis atitinka pateiktą paveikslėlį.
7. Jei pirmiau minėti punktai neveikia, atlikite **rankinio uždegimo procedūrą**.



**Jei naudojant degiklis užgęsta, pasukite valdymo rankenėles į padėtį „0“ (OFF) (išjungta). Prieš mėgindami vėl uždegti, penkias minutes palaukite, kad išsisklaidytų susikaupusios dujos.**

### PROCEDŪRA SUGEDUS UŽDEGIKLIUI

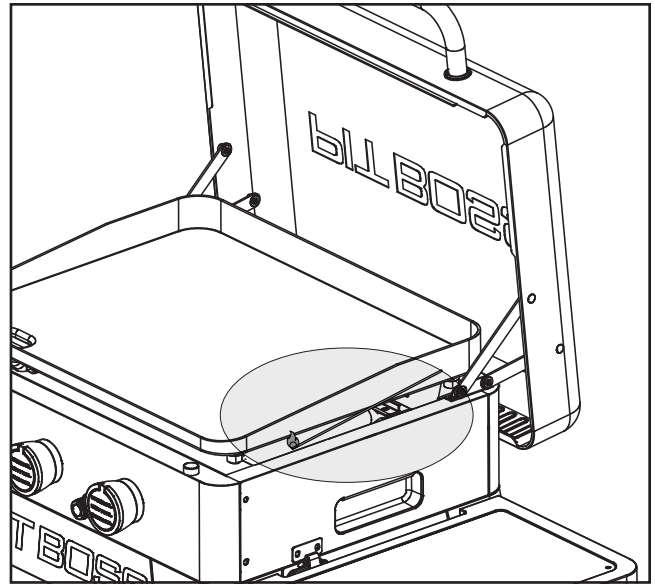
**Jei po trijų ar keturių mėginimų uždegiklis neužsidega, atlikite tolesnius veiksmus arba užkurkite kepsninę rankiniu būdu.**


1. Įsitikinkite, kad valdymo rankenėlės pasuktos į padėtį OFF (išjungta). Leiskite išsisklaidyti susikaupusioms dujoms.
2. Po penkių minučių patikrinkite tai, kas nurodyta.
  - Apžiūrėkite, ar uždegiklis veikia: paspauskite uždegiklio mygtuką ir stebėkite, ar ant jo galiuko pasirodo kibirkštis. Jei kibirkštis nėra, pareguliuokite atstumą tarp uždegiklio (elektrodo) galiuko ir degiklio, kad būtų 4,5 mm (3/16 col.).
  - Apžiūrėkite, ar degiklio vamzdelis ir liukai nėra uždengti. Jei uždengti, vadovaukitės **priežiūros ir techninės priežiūros** instrukcijomis.
3. Jei pirmiau minėti punktai neveikia, vadovaukitės **gedimų diagnostikos ir šalinimo** instrukcijomis.

## RANKINIO UŽDEGIMO PROCEDŪRA

1. Uždegimo metu atidarykite dangtį.
2. Visas valdymo rankenėles nustatykite į padėtį „0“.
3. Atidarykite cilindro / dujų vožtuvą, laikydamiesi ant bako pateiktų naudojimo instrukcijų.
4. Greitai ir atsargiai uždekite degiklį uždegtu degtuku arba žiebtuvėliu ilgu antgaliu. Degiklį galite pasiekti iš po karštosios plokštės. Uždegtą degtuką laikykite prie degiklio.

**PERSPĖJIMAS.** Nemėginkite uždegti kitos degiklio vietos. Galite susižaloti.



5. Paspauskite ir pasukite degimo valdymo rankenėlę prieš laikrodžio rodyklę į uždegimo padėtį . Degikliui užsidegus palaikykite šią rankenėlę 10 sekundžių. Kol neatleisite rankenėlės, girdėsite kibirkšties spragsėjimą.

**PASTABA.** Uždegdami liepsną keptuve arba ją atnaujindami nenaudokite spirito, degiojo skysčio arba žibalo.

6. Jei degiklis neužsidega per 5 sekundes, pasukite degiklio valdymo rankenėlę į padėtį „0“, palaukite 5 minutes ir vėl bandykite uždegti pagal instrukcijas. Uždegę stebėkite degiklio liepsną. Įsitikinkite, kad visos degiklio angos dega, o liepsnos aukštis atitinka anksčiau pateiktą paveikslėlį.

**PASTABA:** kiekvienas degiklis dega nepriklausomai – pakartokite tokius pačius veiksmus su kitais degikliais.

**PERSPĖJIMAS.** Uždegdami dujų keptuvą niekada nesilenkite virš maisto ruošimo zonos. Uždegdami keptuvą degtuku, laikykite veidą ir kūną saugiu atstumu (mažiausiai 457 mm / 18 col.) nuo kepimo grotelių paviršiaus.

7. Jei pirmiau minėti punktai neveikia, žr. *gedimų diagnostikos ir šalinimo* dalį.

## KEPTUVO IŠJUNGIMAS

1. Baigę kepti, pasukite dujų cilindro vožtuvą į UŽSUKTĄ padėtį ir leiskite iššokti regulatoriaus rankenėlei. Ši saugos funkcija užfiksuoja regulatoriaus rankenėlę, užtikrindama, kad dujos nebeteka.
2. Valdymo rankenėles pasukite į padėtį „0“.

**PASTABA.** Sudegus paskutinėms LP dujoms normalu išgirsti šnypštelėjimą.

3. Atjunkite dujų šaltinį, vykdydami skyriaus „*Dujų cilindro atjungimas*“ instrukcijas.

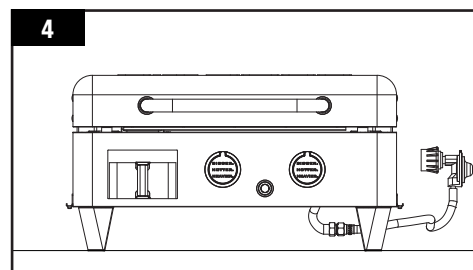
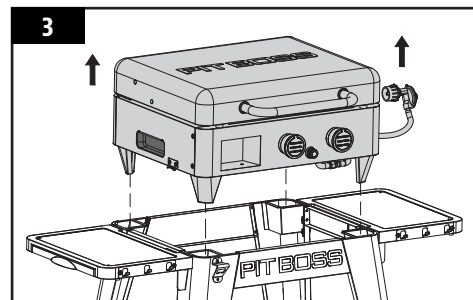
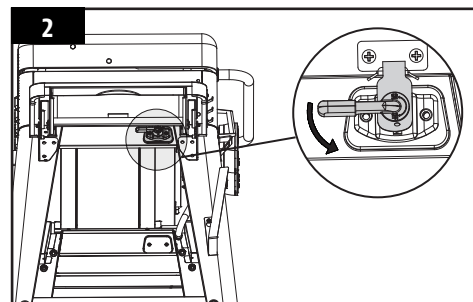
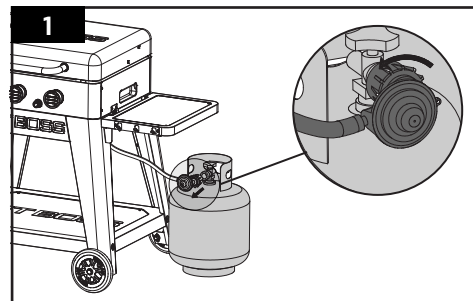
**ĮSPĖJIMAS.** Leiskite keptuvui visiškai atvėsti ir pašalinkite dujų cilindrą prieš perkeldami, gabendami arba palikdami laikymo vietoje.

# KEPTUVO NUKĖLIMAS NUO VEŽIMĖLIO

PB2BPGG, PB3BPGG, PB4BPGG modelių keptuvus galima greitai ir lengvai nukelti nuo vežimėlio, prikabinti ir gabenti. Tiesiog vykdykite surinkimo instrukcijas atvirkštine tvarka arba pasinaudokite toliau pateikiama santrauka.

**SVARBU. Visada įsitikinkite, kad keptuvas yra visiškai atvėšęs ir atjungtas nuo dujų šaltinio, o riebalų indas pašalintas.**

1. Atjunkite prietaisą nuo dujų šaltinio. Atjunkite slėgio reguliavimo sistemą nuo cilindro vožtuvu sukdami užsukamą greitąją jungtį prieš laikrodžio rodyklę.
2. Pasukite sklęščius (po vieną kiekvienoje pusėje), kad atjungtumėte ugniadėžę nuo vežimėlio.
3. Dviese atsargiai pakelkite keptuvą nuo vežimėlio, laikydami už abiejose pusėse esančių griovelių. Keldami ypač atsargiai elkitės su regulatoriumi ir vamzdžiu.
4. Nedelsdami padėkite ugniadėžę ant žemės arba į norimą vietą, kad nesusižalotumėte ar nepažeistumėte prietaiso.

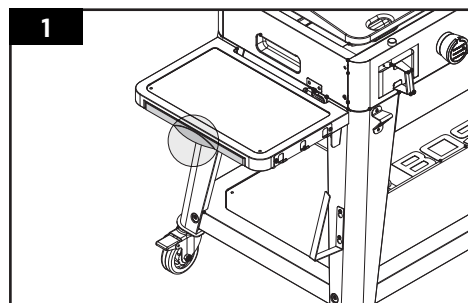


# ŠIUKŠLIŲ MAIŠO LAIKIKLIO NAUDOJIMAS

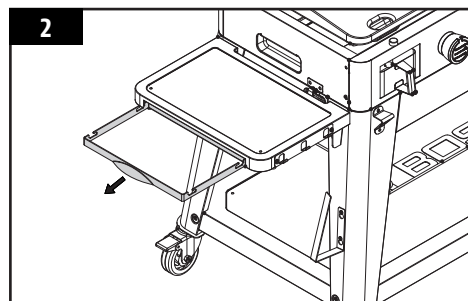
Rinkti šiukšles naudojant šiukšlių maišo laikiklį yra lengviau nei bet kada. Nerūdijančio plieno rėmas, esantis po kairiąja šonine lentyna, yra lengva valomas, be to, jis tinka naudoti su standartiniu, įprasto dydžio plastikiniu maisto prekių maišu, kurio tūris paprastai yra maždaug 10–20 litrų (2,5–5 galonai). Rėmas taip pat tinka daugeliui standartinių šiukšlių maišų (su rankenomis arba be jų), kurių tūris iki 60 litrų (16 galonų).

**SVARBU. Kreipkite dėmesį į tai, koks svoris dedamas į maišą, esantį ant šiukšlių maišo laikiklio. Maišą dažnai keiskite, kad nepažeistumėte šiukšlių maišo laikiklio struktūros ir jos komponentų.**

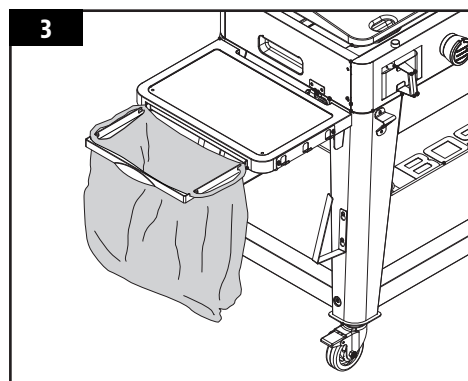
1. Kairiojoje šoninėje lentynoje suraskite šiukšlių maišo laikiklio rankeną.



2. Ištraukite šiukšlių maišo laikiklį, kad matytumėte rėmo laikiklius.



3. Ant šiukšlių maišo laikiklio įtaisykite plastikinį maisto prekių maišą arba standartinį šiukšlių maišą. Įtaisykite maisto prekių maišą, užkabindami jo rankenas už rėmo laikiklių arba, jeigu naudojate šiukšlių maišą, apvyniokite jį aplink tris rėmo kraštus.





# PRIEŽIŪRA IR TECHNINĖ PRIEŽIŪRA

## DUJŲ LYGIO TIKRINIMAS

Norint patikrinti LP dujų cilindre esantį degalų kiekį, kepsninė turi būti užkurta. Uždėkite ranką dujų cilindro viršuje ir lėtai leiskite šonu, kol pajusite, kad cilindras yra vėsus. Taip žinosite apytikslį dujų kiekį cilindre; jei  $\frac{3}{4}$  cilindro yra tuščia, jį pakeiskite pilnu dujų cilindru.

**SVARBU. Su kepsnine nenaudokite medžio anglių briketų ar degių medžiagų. Naudojant tokias medžiagas, nebegalios garantija ir gali kilti gaisras, sproginimas bei galima susižaloti.**

## VALYMO DAŽNUMAS

Laikantis minimalių valymo reikalavimų, bet kuris „Pit Boss®“ prietaisas veiks ilgus metus, skleisdamas malonų kvapą. Prižiūrėdami savo kepsninę, vadovaukitės toliau pateiktais valymo ir techninės priežiūros patarimais.

### 1. DEGIKLIO KOMPONENTAI

- Degiklį valykite tada, kai ant jo prisikaupia daug nešvarumų, kad nebūtų degiklio vamzdelio ar angų užsikimšimo (nešvarumais, vabzdžiais) požymių. Kai prietaisas kurį laiką nenaudojamas, vorai ar maži vabzdžiai degiklio vamzdyje gali susukti lizdų, pripinti voratinklių ir padėti kiaušinėlių, kurie trukdo dujoms tekėti į degiklį. Dėl užsikimšusio vamzdelio po prietaisu gali kilti gaisras. Jei kepsninę laikote nenaudodami ar prieš ilgesnį nenaudojimo lakotarpį nuimkite degiklį ir apvyniokite aliuminio folija, kad sumažintumėte riziką, jog į degiklio angas pateks vabzdžių.
- Degiklyje iš anksto nustatyta optimali liepsna. Optimalaus oro ir dujų mišinio rezultatas yra mėlyna liepsna, kurios nedidelė viršūnė gali būti geltona. Jei liepsnos yra pernelyg geltonos, oranžinės ar nepastovios, nuo degiklio paviršiaus ir angų nuvalykite riebalus bei maisto nuosėdas, kad padidintumėte oro srautą.

### 2. KEPIMO KOMPONENTŲ

- Jūsų keptuvės kaitinimo plokštė padengta keramika. Geriausiai naudojami indai yra mediena, silikonas arba nailonas, nes šios medžiagos sumažins kepimo paviršiaus nusidėvėjimą.
- Įrenginys iš anksto pagardintas gamykloje, tačiau po kiekvieno naudojimo svarbu išvalyti ir pagardinti kaitlentę, kad būtų išvengta rūdžių, pailgėtų grotelių tarnavimo laikas ir susidarytų nelipnus kepimo paviršius. Keptuvės prieskoniai yra nenutrūkstamas procesas, kurį reikia kartoti per visą keptuvės gyvavimo laiką, kad būtų užtikrinta geriausia kepimo patirtis ir ilgiausias naudojimo laikas.
  1. Po kiekvieno naudojimo išvalykite kaitlentę, mentele ar grandikliu pašalinkite visus maisto produktus ir šiukšles.
  2. Liberiškai tepkite kepimo paviršių tolygiu kepimo aliejaus sluoksniu. Augalinės, alyvuogių, žemės riešutų, kokosų ir sezamų aliejai tinka keptuvei pagardinti.
  3. Leiskite atvėsti vėsioje, sausoje vietoje.

### 3. KEPSNINĖS IŠORĖ

- Reikia reguliariai tikrinti visus varžtus. Prireikus juos priveržkite.
- Kad visiškai apsaugotumėte kepsninę, naudokite kepsninės uždangalą! Uždangalas geriausiai apsaugo nuo oro sąlygų ir išorės teršalų. Kai nenaudojate arba laikote ilgesnį laiką, uždenkite prietaisą uždangalu ir pastatykite garaže arba pašiūrėje, išėmę dujų cilindrą (jis turi būti laikomas lauke).

## VALYMO TVARKARAŠTIS (ĮPRASTAS NAUDOJIMAS)

DALIS	VALYMO DAŽNUMAS	VALYMO BŪDAS
Karštoji plokštė	Po kiekvieno naudojimo	Nudeginkite likučius, išvalykite naudodami šveitimo kempinėle ir muiluotą vandenį, sutepkite aliejumi
Riebalų padėklas	Po kiekvieno naudojimo	Ištuštinkite, naudokite šveitimo kempinėle ir muiluotą vandenį
Degiklio vamzdelis, angos	Panaudojus 5–6 kartus	Nuvalykite dulkes, naudokite šveitimo kempinėle ir muiluotą vandenį
Degikliai	Panaudojus 5–6 kartus	Šveitimo kempinėle ir muiluotas vanduo
Vežimėlis	Prireikus	Neabrazyvus audinys ir muiluotas vanduo

# PATARIMAI IR METODAI

Norėdami geriau pažinti savo kepsninę, vadovaukitės toliau pateikiamais naudingais Pit Boss® savininkų, mūsų darbuotojų ir tokių pačių kaip jūs klientų patarimais bei metodais.

## 1. MAISTO SAUGA

- Iškeptai mėšai naudokite lėkštes ir įrankius, kurių nenaudojote žaliai mėšai ruošti arba perkelti į kepsninę. Tokiu būdu išvengsite kryžminio užteršimo bakterijomis. Visiems marinatams arba šlakstomiems padažams naudokite atskirus indus ir įrankius.
- Karšti maisto produktai turi išlikti karšti (virš 60 °C (140 °F)), o šalti maisto produktai turi išlikti šalti (žemiau 3 °C (37 °F)). Iškeptų maisto produktų nelaikykite karštyje ilgiau nei valandą. Nelaikykite karštų maisto produktų ne šaldytuve ilgiau nei dvi valandas.
- Niekada nepalikite marinato kitam kartui. Jei patieksite jį kartu su mėsa, prieš patiekdami jį užvirinkite.
- Atšildykite ir marinuokite mėsą šaldydami. Neatšildykite mėsos kambario temperatūroje arba padėję ant spintelės. Bakterijos greitai veisiasi ir dauginasi šiltuose bei drėgnuose maisto produktuose. Prieš ruošdami maistą ir apdorojė šviežią mėsą, žuvį ir paukštieną kruopščiai nuplaukite rankas karštu muiluotu vandeniu.

## 2. PASIRUOŠKITE KEPIMUI

- Būkite pasiruošę – **Mise en Place** (viskas turi būti savo vietose). Tai reiškia, kad prieš pradėdami kepti turite būti pasiruošę kepimo receptą, kurą, priedus, įrankius, reikmenis ir visus ingredientus. Taip pat prieš uždegdami kepsninę perskaitykite visą receptą nuo pradžios iki galo.
- Rekomenduojame po kepsnine padėti specialų BBQ kilimėlį. Jis apsaugos jūsų dangą, vidaus kiemą arba akmeninę platformą nuo ruošiant maistą galinčių susidaryti riebalų dėmių ir netyčinių išpylimų.

## 3. KEPIMO PATARIMAI IR METODAI

- Visada mėsos termometru nustatykite kepimo maisto vidaus temperatūrą. Puiki mintis padėti iškeptą maistą ant šildomos lėkštės, kad jis išliktų šiltas. Prieš tiekdami raudoną mėsą, pavyzdžiui, kepsnius, leiskite jai pastovėti kelias minutes. Tokiu būdu paviršiuje esančios sultys grįš atgal į mėsos vidurį ir pridės daugiau skonio.
- Padažai, kuriuose yra cukraus, tepami baigiant kepti, kad jie nesudegtų ir neužsidegtų.
- Mėsą apverskite žnyplėmis ilgomis rankenomis, o mėsainius ir žuvį – mentele. Smailiu įrankiu, pvz., šakute, galite perdurti mėsą, kad iš jos ištekėtų sultys.

# GEDIMŲ DIAGNOSTIKA IR ŠALINIMAS

Tinkamai valydami ir prižiūrėdami prietaisą, išvengsite dažnų veikimo problemų. Kai jūsų kepsninė veikia prastai arba silpnai, gali būti naudingi toliau pateikti gedimų diagnostikos ir šalinimo patarimai. Prireikus DUK, apsilankykite [www.pitboss-grills.com](http://www.pitboss-grills.com). Jei reikia pagalbos, taip pat galite susisiekti su vietiniu pardavėju arba klientų aptarnavimo tarnyba.

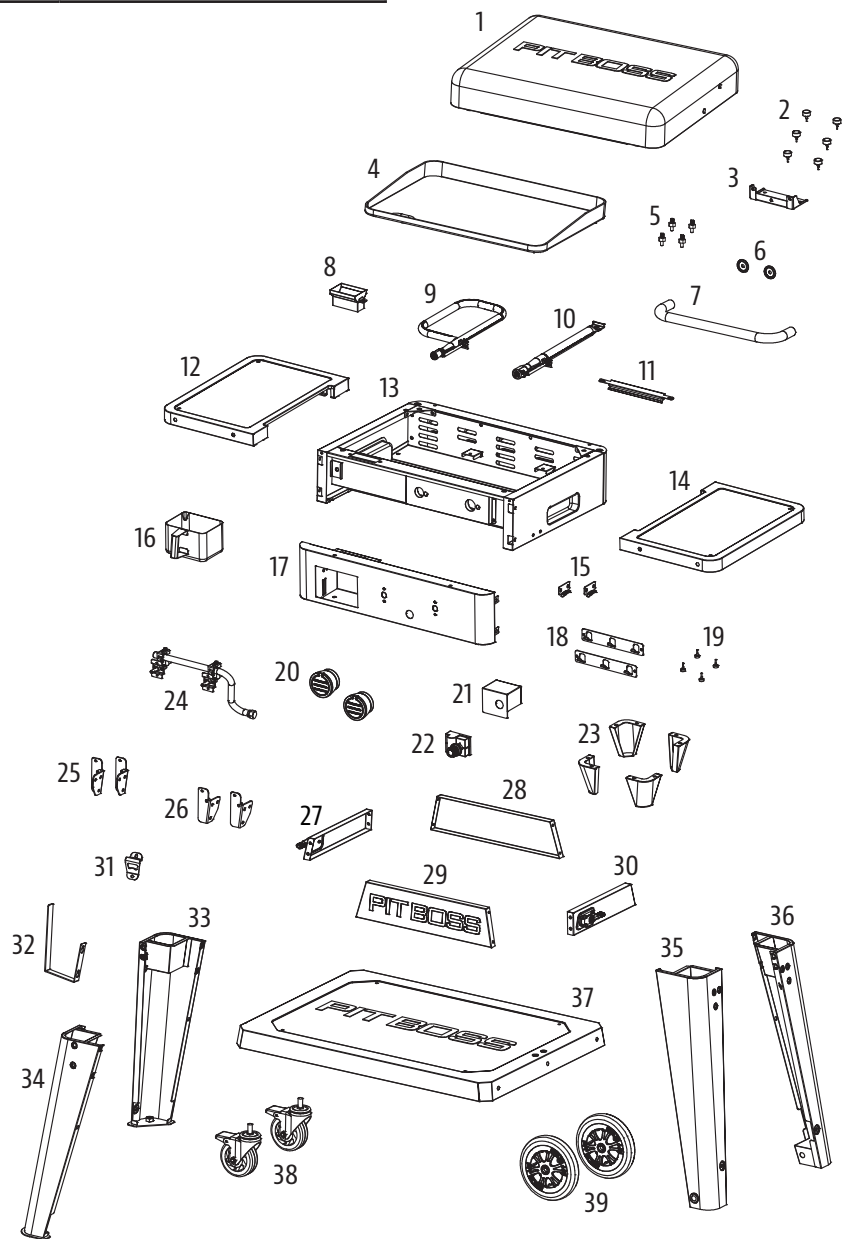
**ĮSPĖJIMAS. Visada įsitikinkite, kad kepsninė visiškai atvėsusi. Taip išvengsite susižalojimo.**

PROBLEMA	PRIEŽASTIS	SPRENDIMAS
DEGIKLIS NEUŽSIDEGA	Uždegimo laidas nutrūkęs	Kreipkitės į klientų aptarnavimo tarnybą dėl pagalbos arba atsarginės dalies.
	Ant elektrodo nėra uždegiklio kibirkštis	Pareguliuokite elektrodą. Kreipkitės į klientų aptarnavimo tarnybą dėl pagalbos arba atsarginės dalies.
	Netiekiamos dujos	Patikrinkite regulatoriaus vožtuvą. Patikrinkite, ar ties jungtimi nėra nuotėkio.
Riebalų gaisras / dažni užsiliepsnojimai	Riebios mėsos kepimas	Riebią mėsą kepkite, kai kepimo paviršius šaltas, o rankenėlės nustatytos ties LOW (žema).
	Kepimo temperatūra	Bandykite kepti žemesnėje temperatūroje. Pasiekę pliūpsnio temperatūrą riebalai įsiliepsnoja. Kepdami itin riebią maistą, išlaikykite žemesnę nei 176 °C (350 °F) temperatūrą.
	Ant dujų liepsnų purškiamas vanduo	Ant dujų liepsnų nepurkškite vandens.
Užgęsta degiklis	Neteka dujos	Patikrinkite dujų jungtį ir įsitikinkite, kad ji atidaryta. Jei tuščias dujų cilindras, jį pakeiskite.
	Stiprus ar gūsingas vėjas	Pasukite kepsninės priekį nuo vėjo arba paaukštinkite liepsną.
Mažas karštis, kai nustatyta HIGH (aukšta)	Užblokuotos angos	Nuo angų pašalinkite visas kliūtis.
	Tuščias dujų cilindras	Pripildykite dujų cilindrą.
Dujų nuotėkis	Netinkamai įrengta	Pasukite regulatoriaus rankenėlę į padėtį OFF (išjungta) ir leiskite iššokti regulatoriaus rankenelei. Išimkite dujų cilindrą. Vėl įstatykite ir priveržkite. Atlikite nuotėkio bandymą, kad užtikrinumėte tinkamą sandarumą. Jei dujų cilindras pažeistas, jį pakeiskite.
	Neužtikrinamas sandarumas	Dujų cilindras pažeistas korozijos, surūdijęs ar netinkamai naudotas. Pakeiskite dujų cilindrą.
	Regulatoriaus gedimas	Reikia pakeisti regulatorių. Dėl atsarginės dalies susisieki su klientų aptarnavimo tarnyba.
Degiklio liepsnos yra geltonos arba oranžinės	Prastas oro srautas	Patikrinkite, ar degiklio vamzdyje ir angose nėra voratinklų ar kitų kliūčių. Norėdami išvalyti degiklio vamzdelį, vadovaukitės <b>techninės priežiūros</b> instrukcijomis.
	Degiklio kliūtys	
	Riebalų indas pilnas, išsilieja	Ištuštinkite riebalų indą ir įstatykite atgal. Vadovaukitės <b>techninės priežiūros</b> instrukcijomis.
	Išjungtas regulatoriaus vožtuvas	Patikrinkite regulatoriaus vožtuvo jungtį su dujų cilindru. Išimkite ir įstatykite iš naujo. Atlikite nuotėkio patikrą.
	Nešvarus degiklis	Penkioms minutėms regulatoriaus rankenėlę pasukite į padėtį HIGH (aukšta) ir nudeginkite prietaisą. Vadovaukitės <b>techninės priežiūros</b> instrukcijomis.

# ATSARGINĖS DALYS

PB2BGD2	
Dalies	Aprašymas
1	Dangtis (x 1)
2	Dangčio atraminė guma (x 6)
3	Dangčio atrama (x 1)
4	Karštoji plokštė (x 1)
5	Karštosios plokštės kojų varžtai (x 4)
6	Dangčio rankenos apsodas (x 2)
7	Dangčio rankena (x 1)
8	Riebalų ištekėjimo anga (x 1)
9	P-degiklis (x 1)
10	Dešinysis degiklis (x 1)
11	Kryžminis degiklis (x 1)
12	Šoninė lentyna – kairioji (x 1)
13	Ugniadėžės blokas (x 1)
14	Šoninė lentyna – dešinioji (x 1)
15	Skląščio kabliukas (x 2)
16	Riebalų indas (x 1)
17	Ugniadėžės valdymo skydelis (x 1)
18	Šoninės lentynos kabliukų plokštė (x 2)
19	Šoninės lentynos guma (x 4)
20	Valdymo rankenėlė (x 2)
21	Plokštė, sauganti uždegiklį nuo karščio (x 1)
22	Uždegiklis (x 1)
23	Ugniadėžės kojos (x 4)
24	Vožtuvo blokas (x 1)
25	Šoninės lentynos laikiklis – kairysis (x 2)
26	Šoninės lentynos laikiklis – dešinysis (x 2)
27	Vežimėlio šoninė plokštė – kairioji (x 1)
28	Vežimėlio galinė plokštė (x 1)
29	Vežimėlio priekinė plokštė (x 1)
30	Vežimėlio šoninė plokštė – dešinioji (x 1)
31	Butelių atidarytuvas (x 1)
32	Popierinių rankšluosčių laikiklis (x 1)
33	Ratuko atraminė koja – galinė (x 1)
34	Ratuko atraminė koja – priekinė (x 1)
35	Rato atraminė koja – priekinė (x 1)
36	Rato atraminė koja – galinė (x 1)
37	Apatinė lentyna (x 1)
38	Fiksuojamas ratukas (x 2)
39	Ratas (x 2)

Dalies	Aprašymas
A	Varžta (x37)
B	Poveržlė (x16)
C	Fiksavimo poveržlė (x16)
D	Varžta (x4)
E	Rato kaištis (x2)
F	Rato poveržlė (x2)
G	Rato ašies kaištis (x2)
H	Baterija (x1)

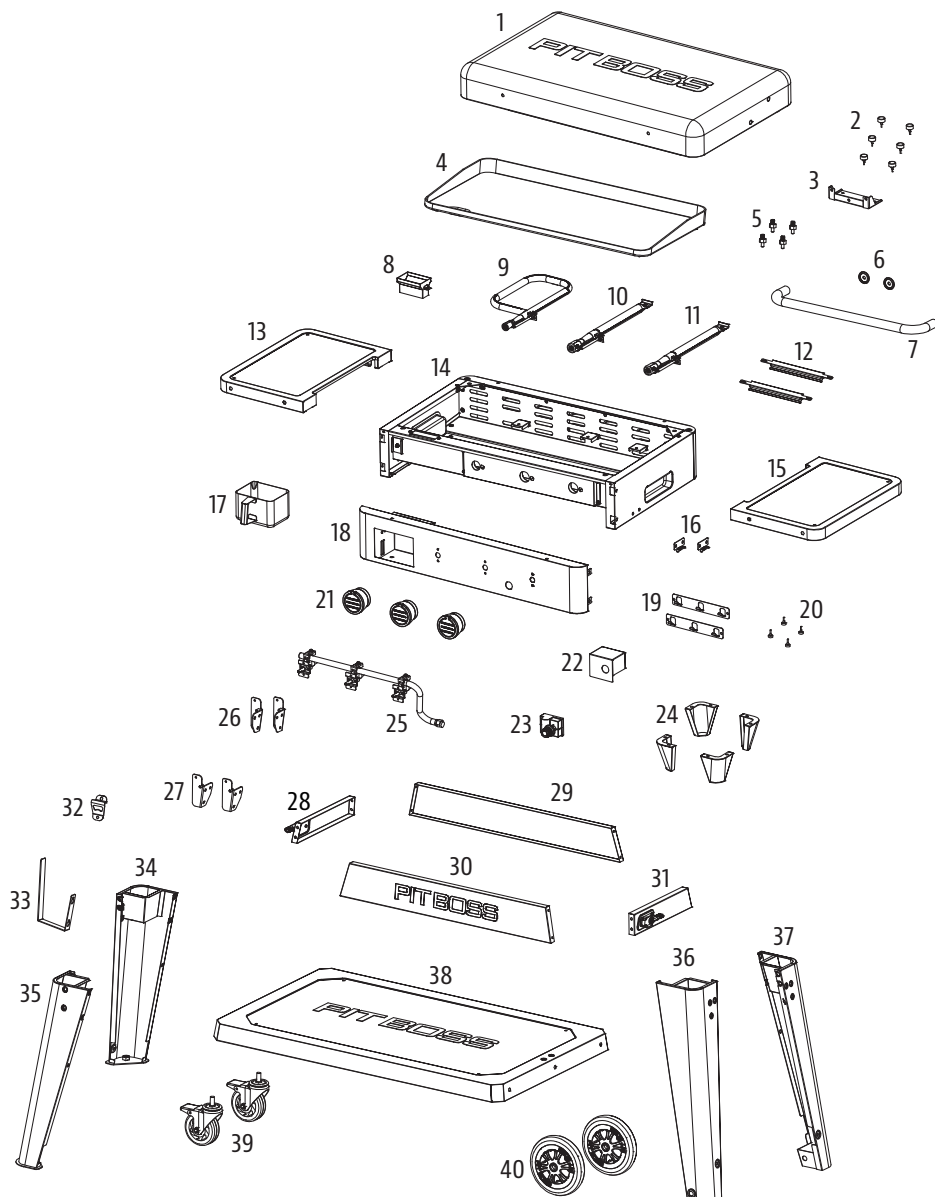


PASTABA. Dėl nuolatinio gaminio tobulinimo dalys gali būti pakeistos apie tai nepranešus.

## PB3BGD2

Dalies	Aprašymas
1	Dangtis (x 1)
2	Dangčio atraminė guma (x 6)
3	Dangčio atrama (x 1)
4	Karštoji plokštė (x 1)
5	Karštosios plokštės kojų varžtai (x 4)
6	Dangčio rankenos apsodas (x 2)
7	Dangčio rankena (x 1)
8	Riebalų ištekėjimo anga (x 1)
9	P-degiklis (x 1)
10	Vidurinis degiklis (x 1)
11	Dešinysis degiklis (x 1)
12	Kryžminis degiklis (x 2)
13	Šoninė lentyna – kairioji (x 1)
14	Ugniadėžės blokas (x 1)
15	Šoninė lentyna – dešinioji (x 1)
16	Skląščio kabliukas (x 2)
17	Riebalų indas (x 1)
18	Ugniadėžės valdymo skydelis (x 1)
19	Šoninės lentynos kabliukų plokštė (x 2)
20	Šoninės lentynos guma (x 4)
21	Valdymo rankenėlė (x 3)
22	Plokštė, sauganti uždegiklį nuo karščio (x 1)
23	Uždegiklis (x 1)
24	Ugniadėžės kojos (x 4)
25	Vožtuvo blokas (x 1)
26	Šoninės lentynos laikiklis – kairysis (x 2)
27	Šoninės lentynos laikiklis – dešinysis (x 2)
28	Vežimėlio šoninė plokštė – kairioji (x 1)
29	Vežimėlio galinė plokštė (x 1)
30	Vežimėlio priekinė plokštė (x 1)
31	Vežimėlio šoninė plokštė – dešinioji (x 1)
32	Butelių atidarytuvas (x 1)
33	Popierinių rankšluosčių laikiklis (x 1)
34	Ratuko atraminė koja – galinė (x 1)
35	Ratuko atraminė koja – priekinė (x 1)
36	Rato atraminė koja – priekinė (x 1)
37	Rato atraminė koja – galinė (x 1)
38	Apatinė lentyna (x 1)
39	Fiksuojamas ratukas (x 2)
40	Ratas (x 2)

Dalies	Aprašymas
A	Varžta (x37)
B	Poveržlė (x16)
C	Fiksavimo poveržlė (x16)
D	Varžta (x4)
E	Rato kaištis (x2)
F	Rato poveržlė (x2)
G	Rato ašies kaištis (x2)
H	Baterija (x1)

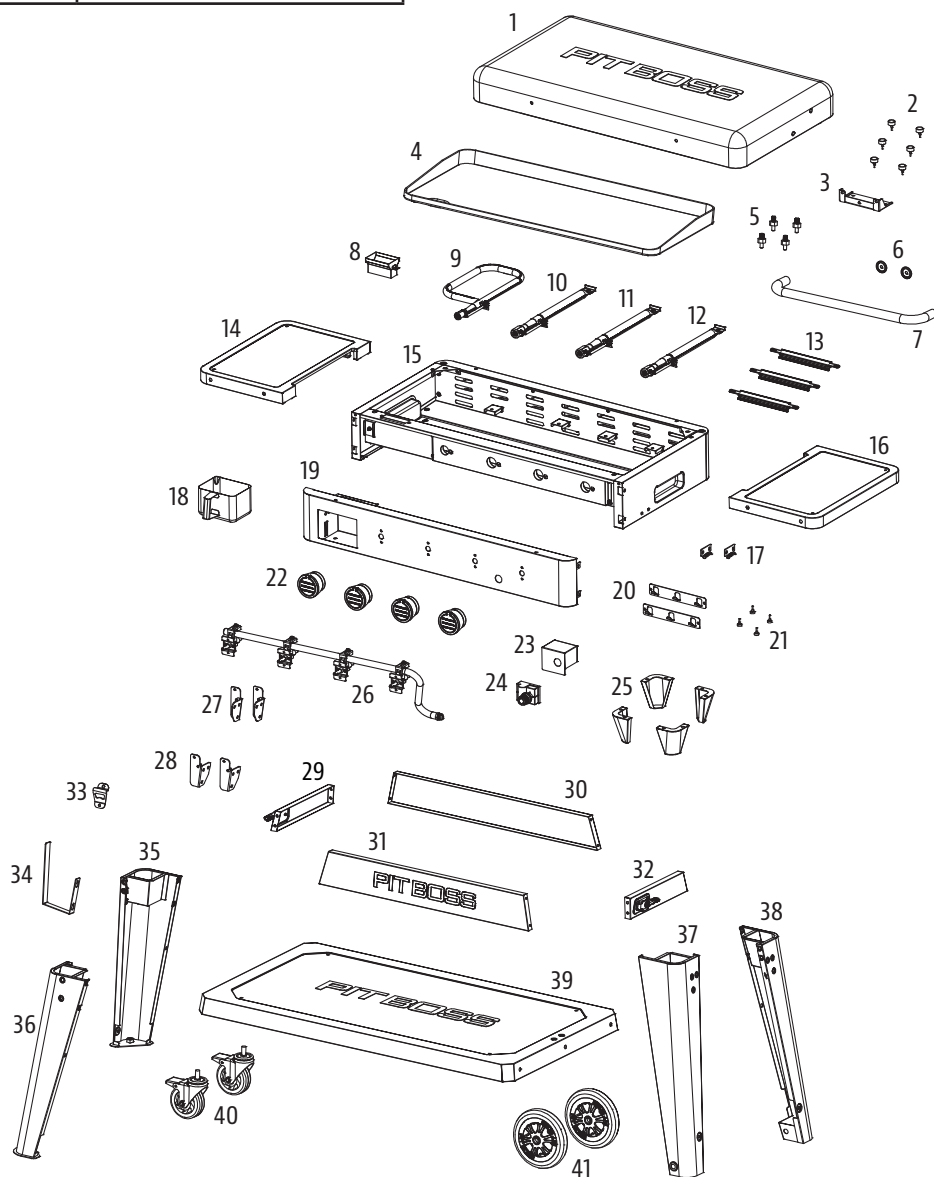


PASTABA. Dėl nuolatinio gaminio tobulinimo dalys gali būti pakeistos apie tai nepranešus.

## PB4BGD2

Dalies	Aprašymas
1	Dangtis (x 1)
2	Dangčio atraminė guma (x 6)
3	Dangčio atrama (x 1)
4	Karštoji plokštė (x 1)
5	Karštosios plokštės kojų varžtai (x 4)
6	Dangčio rankenos apšodas (x 2)
7	Dangčio rankena (x 1)
8	Riebalų ištekėjimo anga (x 1)
9	P-degiklis (x 1)
10	Kairysis degiklis (x 1)
11	Vidurinis degiklis (x 1)
12	Dešinysis degiklis (x 1)
13	Kryžminis degiklis (x 3)
14	Šoninė lentyna – kairioji (x 1)
15	Ugniadėžės blokas (x 1)
16	Šoninė lentyna – dešinioji (x 1)
17	Skląščio kabliukas (x 2)
18	Riebalų indas (x 1)
19	Ugniadėžės valdymo skydelis (x 1)
20	Šoninės lentynos kabliukų plokštė (x 2)
21	Šoninės lentynos guma (x 4)
22	Valdymo rankenėlė (x 4)
23	Plokštė, sauganti uždegiklį nuo karščio (x 1)
24	Uždegiklis (x 1)
25	Ugniadėžės kojos (x 4)
26	Vožtuvo blokas (x 1)
27	Šoninės lentynos laikiklis – kairysis (x 2)
28	Šoninės lentynos laikiklis – dešinysis (x 2)
29	Vežimėlio šoninė plokštė – kairioji (x 1)
30	Vežimėlio galinė plokštė (x 1)
31	Vežimėlio priekinė plokštė (x 1)
32	Vežimėlio šoninė plokštė – dešinioji (x 1)
33	Butelių atidarytuvas (x 1)
34	Popieriųjų rankšluosčių laikiklis (x 1)
35	Ratuko atraminė koja – galinė (x 1)
36	Ratuko atraminė koja – priekinė (x 1)
37	Rato atraminė koja – priekinė (x 1)
38	Rato atraminė koja – galinė (x 1)
39	Apatinė lentyna (x 1)
40	Fiksuojamas ratukas (x 2)
41	Ratas (x 2)

Dalies	Aprašymas
A	Varžta (x37)
B	Poveržlė (x16)
C	Fiksavimo poveržlė (x16)
D	Varžta (x4)
E	Rato kaištis (x2)
F	Rato poveržlė (x2)
G	Rato ašies kaištis (x2)
H	Baterija (x1)



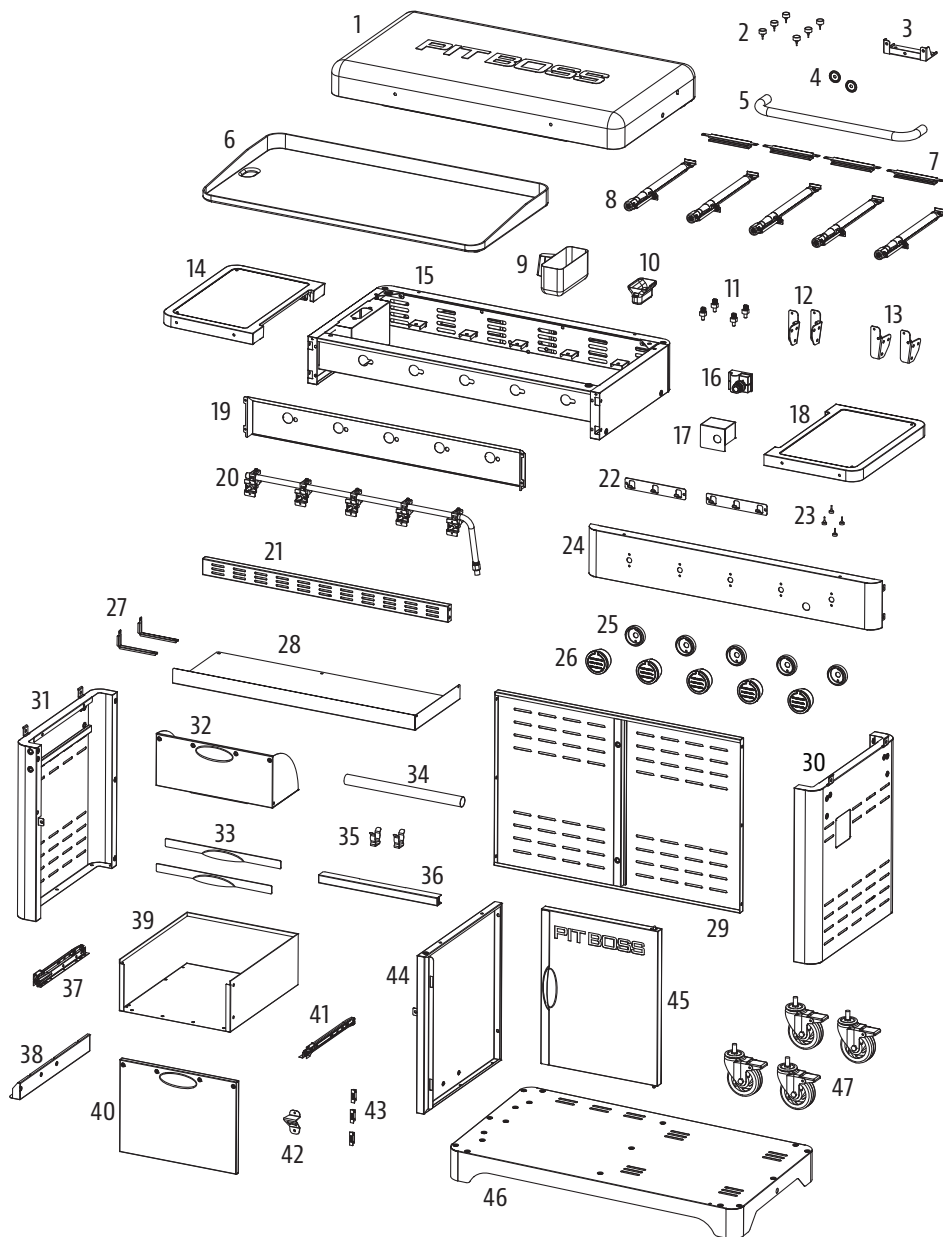
PASTABA. Dėl nuolatinio gaminio tobulinimo dalys gali būti pakeistos apie tai nepranešus.



## PB5BGD2

Dalies	Aprašymas
1	Dangtis (x 1)
2	Dangčio atraminė guma (x 6)
3	Dangčio atrama (x 1)
4	Dangčio rankenos apsodas (x 2)
5	Dangčio rankena (x 1)
6	Karštoji plokštė (x 1)
7	Kryžminis degiklis (x 4)
8	Degiklis (x 5)
9	Riebalų indas (x 1)
10	Riebalų ištekėjimo anga (x 1)
11	Karštosios plokštės kojų varžtai (x 4)
12	Šoninės lentynos laikiklis – kairysis (x 2)
13	Šoninės lentynos laikiklis – dešinysis (x 2)
14	Šoninė lentyna – kairioji (x 1)
15	Ugniadėžės blokas (x 1)
16	Uždegiklis (x 1)
17	Plokštė, sauganti uždegiklį nuo karščio (x 1)
18	Šoninė lentyna – dešinioji (x 1)
19	Priekinė nuo karščio sauganti plokštė (x 1)
20	Vožtuvo blokas (x 1)
21	Vežimėlio priekinė plokštė (x 1)
22	Šoninės lentynos kabliukų plokštė (x 2)
23	Šoninės lentynos guma (x 4)
24	Ugniadėžės valdymo skydelis (x 1)
25	Valdymo rankenėlės pagrindas (x 5)
26	Valdymo rankenėlė (x 5)
27	Nuo karščio saugantis plokštės laikiklis (x 2)
28	Nuo karščio sauganti plokštė (x 1)
29	Vežimėlio galinė plokštė (x 1)
30	Vežimėlio šoninė plokštė – dešinioji (x 1)
31	Vežimėlio šoninė plokštė – kairioji (x 1)
32	Atlenkiama lentyna (x 1)
33	Stalčiaus rankena (x 2)
34	Popierinių rankšluosčių juosta (x1)
35	Ribotuvai (x 2)
36	Stalčiaus atraminė juosta (x 1)
37	Stalčiaus bėgiai – kairysis (x 1)
38	Bėgio laikiklis (x 1)
39	Stalčius (x 1)
40	Stalčiaus priekis (x 1)
41	Stalčiaus bėgiai – dešinysis (x 1)
42	Butelių atidarytuvai (x 1)
43	Magnetinis skląstis (x 3)
44	Vežimėlio pertvara (x 1)
45	Spintelės durys (x 1)
46	Vežimėlio apačia (x 1)
47	Fiksuojamas ratukas (x 4)

Dalies	Aprašymas
A	Varžta (x 54)
B	Varžta (x 2)
C	Fiksavimo poveržlė (x14)
D	Poveržlė (x 14)
E	Varžta (x 14)
F	Varžta (x 6)
G	Baterija (x 1)



PASTABA. Dėl nuolatinio gaminio tobulinimo dalys gali būti pakeistos apie tai nepranešus.



# GARANTIJA

## SĄLYGOS

Visiems „Dansons“ pagamintiems „Pit Boss® Grills“ dujų keptuvams taikoma ribotoji garantija nuo datos, kai juos parduoda pirminis savininkas. Garantija taikoma nuo originalios įsigijimo dienos. Norint patvirtinti garantiją, reikalingas įsigijimo dienos įrodymas arba originalaus kvito kopija. Jei klientai negalės pateikti įsigijimo įrodymo arba garantijos laikotarpis bus pasibaigęs, jie turės apmokėti dalių, siuntimo ir tvarkymo išlaidas. „Dansons“ taiko dvejų (2) metų garantiją visų dalių defektams bei gamybos kokybei. „Dansons“ garantuoja, kad visos dalys neturės medžiagos ir gamybos defektų visą laikotarpį, kai gaminį naudoja ir turi originalus pirkėjas. Garantija netaikoma pažeidimams dėl nusidėvėjimo, pvz., įbrėžimams, įlenkimams, nusilupimams arba mažiems kosmetiniams įtrūkimams. Šie estetiniai keptuvo pokyčiai neturi įtakos jo veikimui. Bet kokios dalies remontas arba keitimas nepratėsia ribotosios garantijos, taikomos dvejus (2) metus nuo įsigijimo datos.

Garantijos laikotarpiu „Dansons“ įsipareigoja tik pakeisti defektų turinčius ir (arba) sugedusius komponentus. Kol garantija galioja, „Dansons“ neprašys padengti gražintų dalių remonto arba keitimo, iš anksto apmokėto krovinio išlaidų, jei „Dansons“ po apžiūros nustato, kad dalis (-ys) turi defektų. „Dansons“ neatsako už transportavimo, darbo išlaidas arba eksporto muitus. Išskyrus atvejus, nurodytus šiose garantijos sąlygose, dalių remontas ar pakeitimas anksčiau nurodytu būdu ir laikotarpiu reiškia visų tiesioginių ir išvestinių „Dansons“ įsipareigojimų ir prievolių jums įvykdymą. „Dansons“ imasi visų atsargumo priemonių, kad būtų naudojamos rūdims atsparios medžiagos. Net imantis šių atsargumo priemonių, apsaugines dangas gali pažeisti įvairios medžiagos ir sąlygos, kurių negali kontroliuoti „Dansons“. Metalo dangas gali paveikti: aukšta temperatūra, per didelė drėgmė, chloras, pramoniniai dūmai, trąšos, vejų pesticidai, druska ir pan. Dėl šių priežasčių garantija netaikoma rūdims arba oksidacijai, nebent keptuvo komponentai praranda konstrukcinį vientisumą. Pasireiškus vienam iš aukščiau pateiktų reiškinų, žiūrėkite techninės priežiūros skyrių apie tai, kaip ilgiau naudoti prietaisą. Kai keptuvo nenaudojate, „Dansons“ rekomenduoja uždengti jį uždangalu.

Ši garantija pagrįsta įprastu buitiniu keptuvo naudojimu ir priežiūra. Ribotoji garantija netaikoma keptuvui, kuris naudojamas komercinėms reikmėms.

## IŠIMTYS

„Pit Boss® Grills“ gaminiams netaikoma jokia rašytinė arba numanoma veikimo garantija, kadangi gamintojas nekontroliuoja jos montavimo, naudojimo, valymo, techninės priežiūros arba naudojamos kuro rūšies. Ši garantija nebus taikoma ir „Dansons“ neprisims atsakomybės, jei jūsų prietaisas nebus sumontuotas, naudojamas, valomas ir prižiūrimas griežtai laikantis naudotojo vadovo. Naudojant šiame vadove nenurodytas dujas, garantija gali nebegalioti. Garantija netaikoma žalai arba gedimams dėl netinkamo naudojimo, tvarkymo arba modifikavimo. Nei „Dansons“, nei įgaliotasis „Pit Boss® Grills“ pardavėjas neprisiima atsakomybės (teisinės arba kitokios) už netyčinę arba netiesioginę žalą turtui arba asmenų sužalojimą naudojant šį gaminį. Jei „Dansons“ pateikiama pretenzija dėl šios arba bet kokios kitos garantijos, kuri yra aiški arba numanoma pagal įstatymą, pažeidimo, gamintojas nėra atsakingas už specifinę, netiesioginę, pasekinę arba kitokią žalą, viršijančią originalią šio gaminio kainą. Visos gamintojo garantijos yra nurodytos šiame dokumente, todėl gamintojui nereikia pateikti pretenzijų dėl garantijos ar pareiškimo. Kai kuriose valstijose arba šalyse negalima išskirti arba apriboti netyčinės ar pasekinės žalos arba apriboti numanomų garantijų, todėl šioje ribotojoje garantijoje išdėstyti apribojimai arba išimties jums gali būti netaikomi. Šioje ribotojoje garantijoje nurodytos jūsų konkrečios teisės ir jūs galite turėti kitų teisių, kurios skiriasi kiekvienoje šalyje.

## ATSARGINIŲ DALIŲ UŽSAKYMAS

Norėdami užsisakyti atsarginių dalių, susisiekite su vietiniu „Pit Boss® Grills“ pardavėju arba apsilankykite mūsų internetinėje parduotuvėje: [www.pitboss-grills.com](http://www.pitboss-grills.com)

## SUSISIEKIMAS SU KLIENTŲ APTARNAVIMO TARNYBA

Jei turite klausimų ar problemų, susisiekite su klientų aptarnavimo tarnyba: [www.pitboss-grills.com](http://www.pitboss-grills.com)

## GARANTINIS APTARNAVIMAS

Dėl remonto arba atsarginių dalių susisiekite su artimiausiu „Pit Boss® Grills“ pardavėju. Norint pateikti pretenziją dėl garantinio aptarnavimo „Dansons“, būtinas pirkimo dokumentas. Todėl saugokite originalų pardavimo kvitą arba sąskaitą-faktūrą. „Pit Boss®“ serijos ir modelio numerį rasite ant pačio prietaiso. Užsirašykite toliau pateiktus numerius, kadangi etiketė gali nusidėvėti ar tapti neįskaitoma.

MODELIS

SERIJOS NUMERIS

ĮSIGIJIMO DATA

ĮGALIOTASIS PARDAVĖJAS

## **IMPORTANT**

### **DO NOT RETURN PRODUCT TO STORE**

For all questions, comments, or inquiries, please contact Dansons directly:  
[www.pitboss-grills.com](http://www.pitboss-grills.com)

## **IMPORTANT**

### **NE RETOURNEZ PAS LE PRODUIT AU MAGASIN**

Pour toute questions, commentaires ou demandes de renseignements,  
veuillez communiquer avec Dansons directement : [www.pitboss-grills.com](http://www.pitboss-grills.com)

## **¡IMPORTANTE!**

### **NO DEVUELVA EL PRODUCTO A LA TIENDA**

Para el preguntas, comentarios o consultas, por favor contactar Dansons  
directamente : [www.pitboss-grills.com](http://www.pitboss-grills.com)

## **WICHTIG**

### **PRODUKT NICHT INS LAGER ZURÜCKSCHICKEN**

Wenden Sie sich für Fragen, Anmerkungen oder Anfragen direkt an Dansons:  
[www.pitboss-grills.com](http://www.pitboss-grills.com)

## **IMPORTANTE**

### **NON RESTITUIRE QUESTO PRODOTTO AL NEGOZIO**

Per qualsiasi domanda, commento o richiesta, contattare direttamente Dansons:  
[www.pitboss-grills.com](http://www.pitboss-grills.com)

**PITBOSS-GRILLS.COM**

MADE IN CHINA | FABRIQUÉ EN CHINE | HECHO EN CHINA  
IN CHINA HERGESTELLT | FABBRICATO IN CINA



780210716UMV

