



# Chesterfield & Sheraton 5

Balanced Flue Log Effect Stove Range  
with Thermostatic Remote Control



## Installation Instructions

### IMPORTANT

THE OUTER CASING, FRONT AND GLASS PANEL BECOME EXTREMELY HOT DURING OPERATION AND WILL RESULT IN SERIOUS INJURY AND BURNS IF TOUCHED. IT IS THEREFORE RECOMMENDED THAT A FIREGUARD COMPLYING WITH BS 8423 (LATEST EDITION) IS USED IN THE PRESENCE OF YOUNG CHILDREN, THE ELDERLY OR INFIRM.

This product contains a Heat resistant glass panel. This panel should be checked during Installation and at each servicing interval. If any damage is observed on the front face of the glass panel (scratches, scores, cracks or other surface defects), the glass panel must be replaced and the appliance must not be used until a replacement is installed. Under no circumstances should the appliance be used if any damage is observed, the glass panel is removed or broken.

It is essential that ALL of the screws that retain the glass frame are replaced and tightened correctly. Under no circumstances should the appliance be operated if any of these screws are loose or missing.

These Instructions must be left with the appliance for future reference and for consultation when servicing the appliance. Please make the customer aware of the correct operation of the appliance before leaving these instructions with them.

The commissioning sheet found on Page 3 of this Instruction manual must be completed by the Installer prior to leaving the premises.

# CONTENTS

## CHESTERFIELD & SHERATON 5 FREESTANDING - BALANCED FLUE

Covering the following models:

MODEL	CHESTERFIELD 5	SHERATON 5
Nat Gas	505-051	505-215
LPG	505-633	505-537

<b>Appliance Commissioning Checklist .....</b>	<b>3</b>
<b>User Instructions .....</b>	<b>4</b>
<b>Installation Instructions .....</b>	<b>13</b>
Technical Specifications .....	16
Site Requirements .....	18
Installation .....	24
Commissioning .....	32
<b>Servicing Requirements .....</b>	<b>33</b>
Fault Finding .....	33
How to replace parts .....	36
Spare parts list .....	46
Information Requirement - Gas Heaters .....	50
Service Records .....	51

### WARNING



In the event of a gas escape or if you can smell gas, please take the following steps:

- Immediately turn off the gas supply at the meter/emergency control valve
- Extinguish all sources of ignition
- Do not smoke
- Do not operate any electrical light or power switches (On or Off)
- Ventilate the building(s) by opening doors and windows
- Ensure access to the premises can be made

Please report the incident immediately to the National Gas Emergency Service Call Centre on 0800 111 999 (England, Scotland and Wales) , 0800 002 001 (N. Ireland) or in the case of LPG, the gas supplier whose details can be found on the bulk storage vessel or cylinder.

The gas supply must not be used until remedial action has been taken to correct the defect and the installation has been recommissioned by a competent person.



It is a requirement of the Building Regulations 2010 that the installation of this appliance is notified to the Local Authority. It is the responsibility of the GasSafe registered installer to carry out this notification to the Local Authority via the GasSafe register Competent Persons Scheme in England and Wales (different rules apply in Scotland and Northern Ireland).

When the installation has been notified, GasSafe will send a Building Regulations Compliance Certificate to you containing details of the work completed. Please ensure that the person responsible for the installation of this appliance completes this notification and records it in the Appliance Commissioning Checklist on page 3.

**IT IS YOUR RESPONSIBILITY TO COMPLY WITH THE BUILDING REGULATIONS AND BE ABLE TO PRODUCE THIS CERTIFICATE SHOULD IT BE REQUIRED IN THE FUTURE.**

# APPLIANCE COMMISSIONING CHECKLIST

To assist us in any guarantee claim please complete the following information:-

## IMPORTANT NOTICE

Explain the operation of the appliance to the end user, hand the completed instructions to them for safe keeping, as the information will be required when making any guaranteed claims.

FLUE CHECK	PASS	FAIL
1. Flue Is correct for appliance		
2. Flue flow Test N/A		
3. Spillage Test N/A		
GAS CHECK		
1. Gas soundness & let by test		
2. Standing gas pressure	mb	
3. Appliance working pressure (on High Setting) Minimum Pressure Requirement: NG - 17.5mbar LPG - 34.5mbar NB All other gas appliances must be operating on full	mb	
4. Gas rate	m <sup>3</sup> /h	
5. Does Ventilation meet appliance requirements? N/A		
SAFETY CHECK		
1. Check soundness of the Thermocouple connections - including tightness and lead integrity		
2. Glass checked to ensure no damage, scratches, scores or cracks		
3. Glass frame secured correctly and all screws replaced		
BUILDING CONTROL NOTIFICATION		
	YES	NO
1. Installer notified GasSafe/Local Authority of installation via Competent Persons Scheme?		

## RETAILER AND INSTALLER INFORMATION

<b>Retailer</b> .....	<b>Installation Company</b> .....
.....	.....
.....	.....
<b>Contact No.</b> .....	<b>Engineer</b> .....
<b>Date of Purchase</b> .....	<b>Contact No.</b> .....
<b>Model No.</b> .....	<b>GasSafe Reg No.</b> .....
<b>Serial No.</b> .....	<b>Date of Installation</b> .....
<b>Gas Type</b> .....	

## GENERAL

Installation and servicing must only be carried out by a competent person whose name appears on the GasSafe register. To ensure the engineer is registered with GasSafe they should possess an ID Card carrying the following logo:



In all correspondence, please quote the appliance type and serial number which can be found on the data badge located at the rear of the appliance or on the Commissioning Checklist on Page 3.

**Do not** place curtains above the appliance: You must have 300mm clearance between the appliance and any curtains at either side.

The manufacturer considers the full outer casing of this stove to be a working surface and it will become hot whilst in operation. A suitable guard is recommended to protect young children, the aged and the infirm.

No furnishings or other objects should be placed within 1 metre of the front of the appliance.

If a shelf is fitted, a distance of 225mm above the appliance is required.

Do not attempt to burn rubbish in this appliance.

This appliance must only be operated with the door secured firmly in position. If any cracks appear in the glass the appliance must not be used until the glass panel is replaced.

If, for any reason, the flue has to be removed from the appliance, the seals must be replaced in the inner spigot.

Do not obstruct the flue terminal in any way i.e. by planting flowers, trees shrubs etc. in the near vicinity, or by leaning objects up against the terminal guard.

Do not put any objects on the terminal guard; it will lose its shape.

Do not use a garden sprinkler or hose near the terminal.

This product is guaranteed for 5 years from the date of installation, as set out in the terms and conditions of sale between Gazco and your local Gazco retailer. Please consult with your local Gazco retailer if you have any questions. In all correspondence always quote the Model Number and Serial Number.

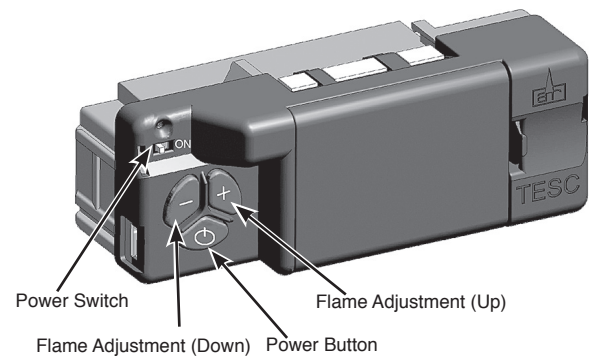
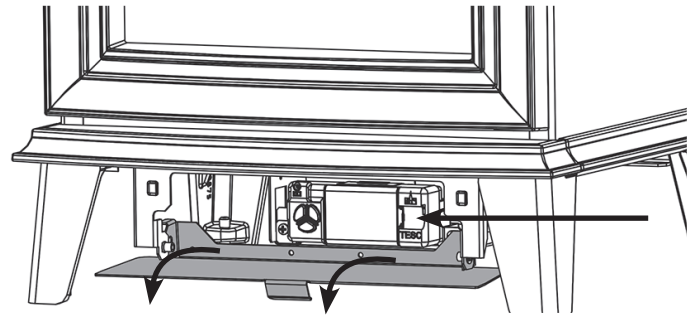
## OPERATING THE APPLIANCE

There are two ways of lighting the appliance:

Using the **Manual Controls** on the Control Box (located on the appliance).

By **Thermostatic Remote Control**.

### MANUAL OPERATION (CONTROL BOX)



To operate the appliance the Power Switch on the Control Box must be switched ON (I).



**Note: The Power Switch does not need to be turned off each time the appliance is not in use. However, if the appliance is left unattended for long periods of time (e.g. vacation), it is recommended to place the Power Switch into the off position.**

### TURNING THE APPLIANCE ON:

Press and hold the Power Button for 1 second and release. The burner will light approximately 2 to 3 seconds later.

Use + and - buttons to adjust the flame height between Minimum and Maximum.

### TURNING THE APPLIANCE OFF

Press the power button to turn the appliance off.



**IMPORTANT: YELLOW FLAMES TYPICALLY APPEAR WHEN THE APPLIANCE HAS REACHED NORMAL OPERATING TEMPERATURE. THIS CAN TAKE UP TO 30 MINUTES.**



**WARNING: IF THE APPLIANCE FAILS TO LIGHT OR BECOMES EXTINGUISHED IN USE, WAIT 3 MINUTES BEFORE ATTEMPTING TO RELIGHT.**

**THE APPLIANCE WILL TAKE 3 AUTOMATIC ATTEMPTS TO RESTART. DO NOT INTERRUPT THE VALVE DURING THIS PROCESS.**

## REMOTE CONTROL

To operate the appliance the Power Switch on the Control Box must be switched ON ( I ).



To activate the Remote Control it will be necessary to cradle the handset to unlock.

The green light will illuminate to show the handset is ready to use.

**IMPORTANT:** Continue to cradle the handset throughout an operation to keep it unlocked.

If the green light goes off during an operation it will be necessary to reposition the handset so the light comes back on and restart the operation.



## HANDSET FEATURES



The Icon at the bottom of the screen displays the battery condition of both the batteries in the handset and in the Control Box alternatively.

RC = Remote Control Handset  
FC = Fire Control (Control Box)



If the handset has been replaced or the fire has been serviced, see Installation Section to set up the handset.

## MANUAL OPERATION (REMOTE CONTROL)



To activate the Remote Control it will be necessary to cradle the handset to unlock


. The green light will illuminate to show the handset is ready to use.

**IMPORTANT:** Continue to cradle the handset throughout an operation to keep it unlocked.

If the green light goes off during an operation it will be necessary to reposition the handset so the light comes back on and restart the operation.

### TURNING THE APPLIANCE ON


Press the  Power Button until Pilot flashes on the display.

Release the  Power Button and the Flame symbol will appear on the display.

**If the button is held the command will be cancelled for safety reasons.**

Holding the handset to unlock, use + and - buttons to adjust the flame height between Minimum and Maximum.

### TURNING THE APPLIANCE OFF

Holding the handset to unlock, press the  power button to turn the appliance off.



**IMPORTANT: YELLOW FLAMES TYPICALLY APPEAR WHEN THE APPLIANCE HAS REACHED NORMAL OPERATING TEMPERATURE. THIS CAN TAKE UP TO 30 MINUTES.**



**WARNING: IF THE APPLIANCE FAILS TO LIGHT OR BECOMES EXTINGUISHED IN USE, WAIT 3 MINUTES BEFORE ATTEMPTING TO RELIGHT.**

**THE APPLIANCE WILL TAKE 3 AUTOMATIC ATTEMPTS TO RESTART. DO NOT INTERRUPT THE VALVE DURING THIS PROCESS.**

## SETTING TIMER MODE (IN MANUAL OPERATION)

Timer Mode will turn the appliance off after a set period of time has elapsed.

Timer Mode can be set before or during manual operation of the fire.

**i** **Note: If Timer mode is activated and the fire is manually turned off, the timer will be cancelled. Changes to the Timer will reset to the default time on next use.**

**If the fire is off when the Timer mode is set then the timer will automatically start when the fire is turned on.**

Hold the handset to unlock and press and release the MODE button. The word MAN and the Zzz symbols flash at the top of the display.

Press and release the SET button. This will activate the Timer mode.

**The default time period is 1 hour, unless altered in Advanced Settings.**

Pressing the SET button again will show the remaining time. This can be altered by pressing the + or - buttons. The timer can be set between 1 minute and 24 hours.

After adjusting the time press SET again to confirm the time setting desired.

Once the countdown has reached zero the fire will turn off.

## THERMOSTATIC MODE

The handset contains a thermostatic sensor to control the operation of the appliance according to the temperature of the room.

There are 3 temperature options that can be set:

**Day Mode** - indicated by a Sun symbol on the display (default temperature 24°C)

**Night Mode** - indicated by a Moon symbol on the display (default temperature 18°C)

**Frost Protection** - indicated by a Snowflake symbol on the display (default temperature 5°C)

### PROGRAMMING THE MODES

Holding the handset to unlock, press and hold the SET button until a beep is heard to indicate the command has been received.

Release the SET button. PROG and a flashing thermometer symbol will be displayed at the top of the display.

Press and release the SET button to enter Day Mode. The current temperature setting and mode will be displayed- for example the Sun symbol on the left shows it is in Day Mode and the default temperature is 24°C.

To change the temperature press + or - whilst the set temperature is displayed to alter the setting.

Press and release the SET button to confirm and to scroll to the Night Mode.

To change the temperature press + or - whilst the set temperature is displayed to alter the setting.

Press and release the SET button to confirm and to scroll to Frost Protection mode.

To change the temperature press + or - whilst the set temperature is displayed to alter the setting.

When finished press the SET button again and the new settings will be accepted. The display will return to the time of day screen.

### CHOOSING A MODE

**When choosing a mode during operation the temperature can be temporarily changed, however these settings will reset to the previously set programmed settings when the fire is turned off.**

Holding the handset to unlock, press and release the MODE button several times until a thermometer symbol flashes at the top of the display.

Press the SET button to enter the Thermostatic mode.

Press the Set button again to see the current temperature setting and mode - for example the a Sun symbol on the left shows it is Day Mode and the default temperature is 24°C.

With the temperature displayed, press + or - to alter the setting.

Press the MODE button repeatedly to scroll through the settings and to select Night mode or Frost Protection.

**The handset must be left in the chosen mode for it to operate.**

When finished press SET again and the new setting will be accepted. The display will return to the time of day screen.

If at any time the power button is operated during Thermostatic Mode the control will cancel any thermostat operation and return the handset to Manual Mode.

## SETTING TIMER MODE (IN THERMOSTATIC OPERATION)

Timer Mode will turn the appliance off after a set period of time has elapsed.

Timer Mode can be set before or during thermostatic operation of the fire.

Hold the handset to unlock, press and release the MODE button until the word MAN and the Zzz symbols are flashing at the top of the display.

Press and release the SET button. This will activate the Timer mode.

**The default time period is 1 hour, unless altered in Advanced Settings.**

Pressing the SET button again will show the remaining Time. This can be altered by pressing the + or - buttons. The timer can be set between 1 minute and 24 hours.

After adjusting the time press SET again to confirm the time setting desired.

Once the countdown has reached zero the fire will turn off.



**Note: If Timer mode is activated and the fire is manually turned off, the timer will be cancelled. Changes to the Timer will reset to the default time on next use.**

**If the fire is off when the Timer mode is set then the timer will automatically start when the fire is turned on.**

## SETTING THE CLOCK

To adjust the time on the handset after initial set up:

Holding the remote to keep the green light on and the handset unlocked:

Press and hold the SET button until a beep is heard to indicate the command has been received.

Release the SET button. PROG will be displayed at the top left of the display.

Press the MODE button twice until SET UP flashes in the top right of the display.

Press and release the SET button. The handset will display an H:24.



24 denotes a 24 hour clock and 12 denotes a 12 hour clock.

Press the + or - button on the handset to toggle between the two settings.

Press the SET button to confirm and progress to setting the day of the week.

## SETTING THE DAY OF THE WEEK

Press and release the + and - buttons until the correct day of the week is shown on the display.



**Mo** = Monday, **Tu** = Tuesday, **We** = Wednesday, **Th** = Thursday, **Fr** = Friday, **Sa** = Saturday and **Su** = Sunday.

Press SET to confirm the day of the week and progress to setting the time.

## SETTING THE HOUR

Press and release the + or - button to change the hour to the correct hour. Press SET to confirm and progress to setting the minute.



## SETTING THE MINUTES

Repeat the process to change the minutes.

## SETTING THE TEMPERATURE DISPLAY (CELSIUS OR FAHRENHEIT)

Press and release the + or - button to toggle between C and F. When the display shows the desired symbol, press and release the SET button to store.



To enter Advanced Settings, see below. To finish, place the handset down and wait until the home screen is displayed and the unlock light goes off.



**ALL THE NECESSARY SETTINGS REQUIRED HAVE NOW BEEN COMPLETED. ANY FURTHER FUNCTIONS ON THIS HANDSET ARE FOR FACTORY SETTING AND NOT TO BE USED.**

The Handset is now ready to operate the appliance.

## ADVANCED MENU SETTINGS

It is possible to change additional preset settings of the control features.

Access the Advanced Menu Settings.  
Press and release the SET button to enter the Advanced Settings Menu.

**Advanced Settings are:**

### Back Light (L)

- A = Automatic (default setting).  
The backlight comes on in the dark.
- O = Light never comes on.
- 1 = Light comes on when the handset is unlocked.

### Display Contrast (C)

- 8 Levels from 0 - 7 (Default level 4).

**P** = Pairing with devices other than the Control Box.  
This feature is not available on this appliance.



**IMPORTANT: THE FURTHER FUNCTIONS ON THIS HANDSET ARE FOR FACTORY SETTING ONLY AND ARE NOT TO BE USED. PLACE THE HANDSET ON A FLAT SURFACE AND WAIT UNTIL THE HOME SCREEN IS DISPLAYED AND THE UNLOCK LIGHT TURNS OFF.**

## PAGING THE HANDSET

If the handset is lost it can be located by pressing the + only on the Control Box for 5 seconds.

The handset will flash and make a noise for 60 seconds to indicate where it is.

Pick up the Handset and cradle it to unlock. The flashing and noise will stop.

If the handset is not discovered in 60 seconds the process will need to be repeated.

## CHANGING THE DEFAULT TIMER MODE

It is possible to change the default time period for the Timer mode.

**The default time period for Timer mode is factory set to 1 hour.**

To change the default time:

Holding the remote to keep the green light on and the handset unlocked:

Press and hold the SET button until a beep is heard to indicate the command has been received.

Release the SET button. PROG will be displayed at the top left of the display.

Repeatedly press the MODE button until the Zzz symbol flashes at the top of the display.

Press and release the SET button.

Press the + or - buttons to alter the default time period.  
The timer can be set between 1 minute and 24 hours.

After adjusting the time press SET again to confirm.

**Note: This does not activate the Timer mode, see Installation Section, Manual Operation or Thermostatic Mode.**

## REPLACING THE APPLIANCE BATTERIES

Replace batteries at least every 12 months during the annual service of the fire.



**It is essential to use high quality batteries (Duracell or equivalent) when replacing batteries.**

The icon at the bottom shows the battery condition of both the batteries in the handset and in the Control Box alternately.



Battery status

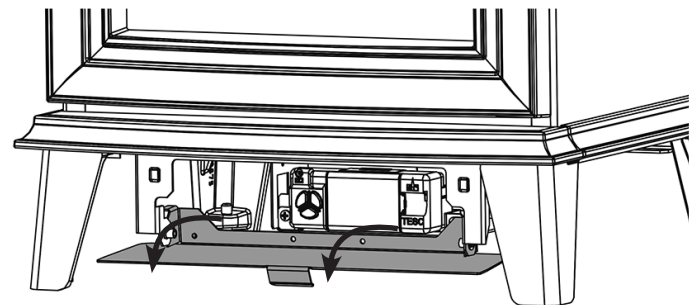
RC = Remote Control Handset  
FC = Fire Control (Control Box)



**Note: Change the batteries in the handset before they are flat, to avoid having to reprogram the time of day in again. N.B. Pairing is not lost, even if the batteries are removed or flat.**

The appliance Control Box requires 3 AA size alkaline batteries.

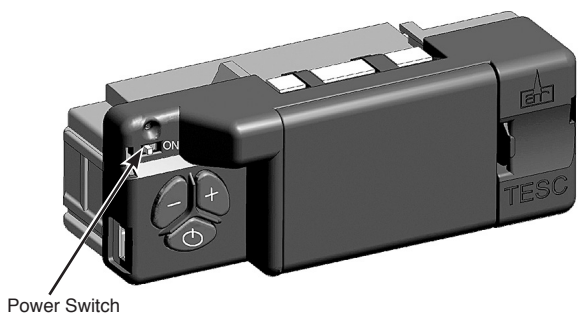
The handset requires 2 AA size alkaline batteries.



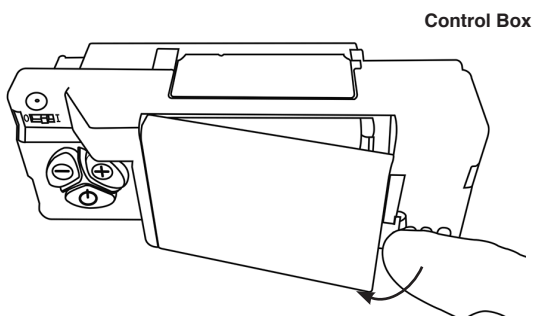
**Slide the Power Switch on the Control Box to the OFF (o) position before attempting to change the batteries.**



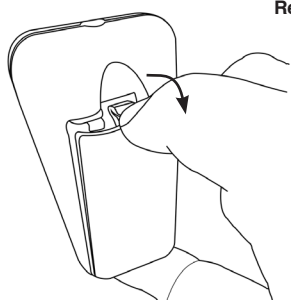
After fitting the batteries, slide the white Power Switch on the Control Box to the ON ( I ) position for the appliance to operate.



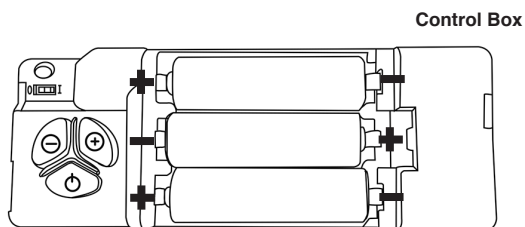
Power Switch



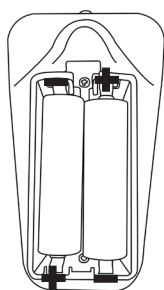
Control Box



Remote Control



Control Box



Remote Control

**Note:** The Power Switch does not need to be turned off each time the appliance is not in use. However, if the appliance is left unattended for long periods of time (e.g. vacation), it is recommended to place the Power Switch into the off position.

## CLEANING THE APPLIANCE

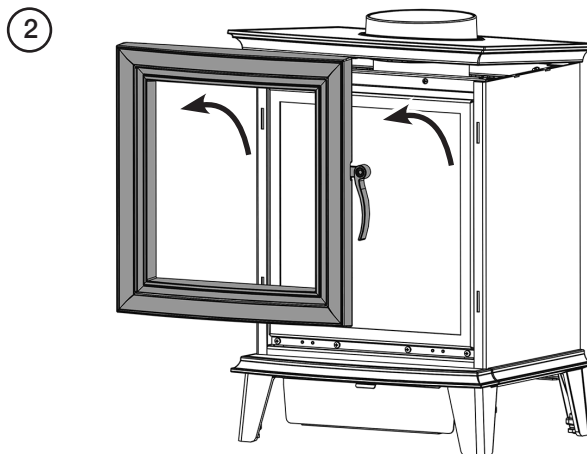
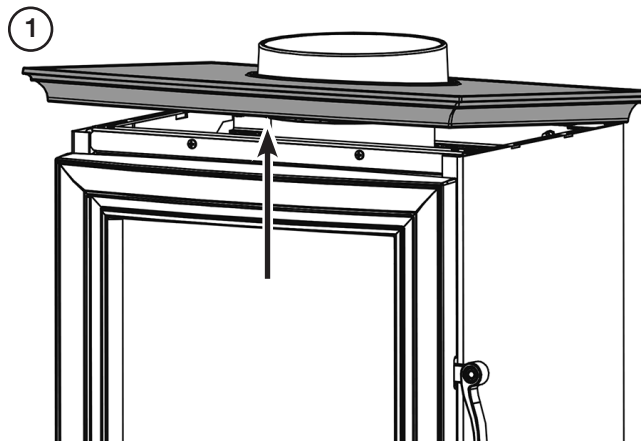
**WARNING: NEVER CLEAN THE APPLIANCE WHILE IT'S HOT. THE APPLIANCE STAYS HOT FOR A LONG TIME AFTER SHUTDOWN.**

**IMPORTANT: THE OUTER PANNELLING AND DOOR OF THE APPLIANCE IS MADE FROM CAST IRON. TAKE CARE WHEN INSTALLING, REMOVING AND STORING TO AVOID DAMAGING THE OUTER CASING, HEARTH OR DOOR.**

Make sure the fire and surrounds are cool before cleaning.

Use:

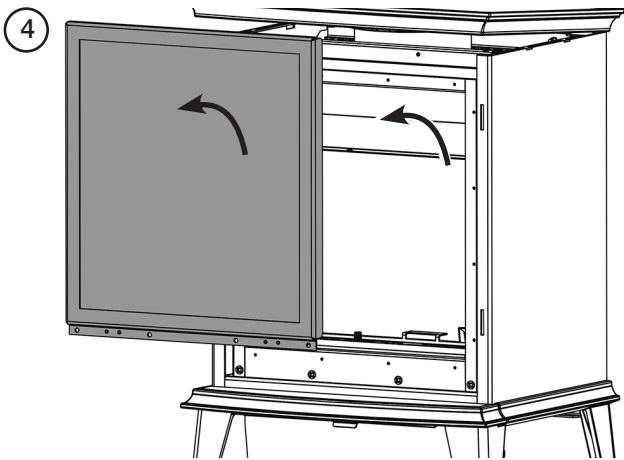
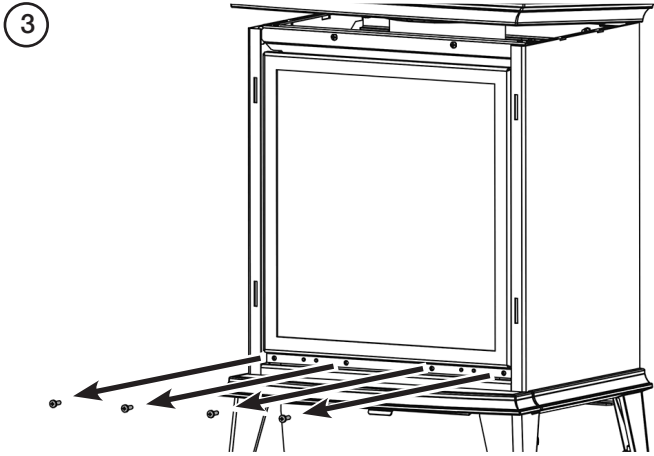
- A dry cloth to clean the appliance casting.
- A damp cloth for the glass front.



### Power Supply via Micro USB

It is possible to power the Control Box via a 5V Micro USB connection. If a USB lead is used batteries are not required in the Control Box.

**DO NOT CONNECT OTHER ELECTRIC DEVICES TO THE CONTROL BOX.**



The glass frame must be refitted to the appliance following cleaning or servicing.

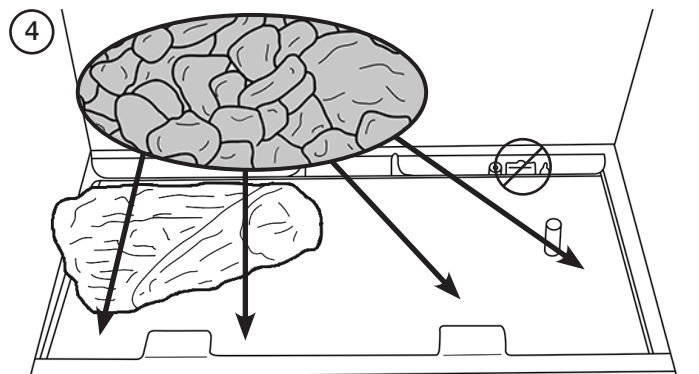
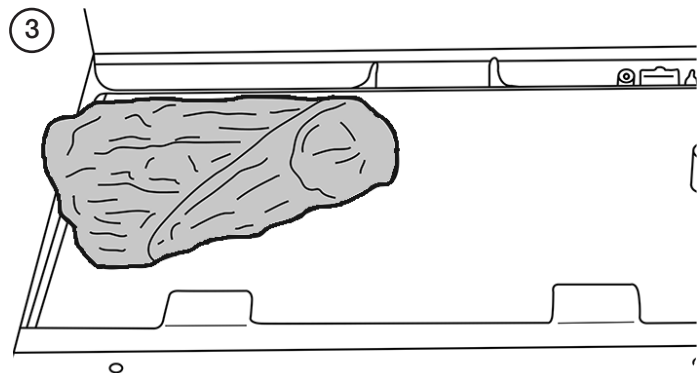
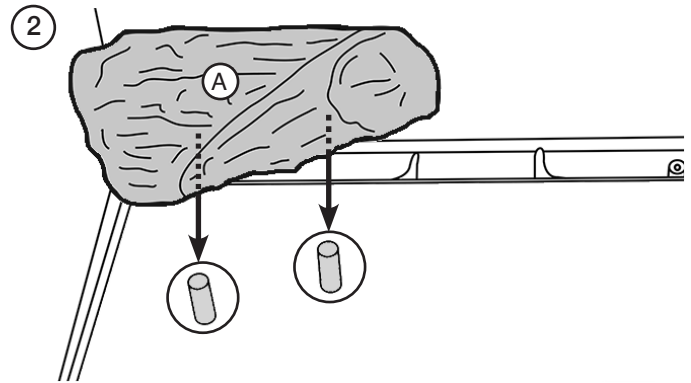
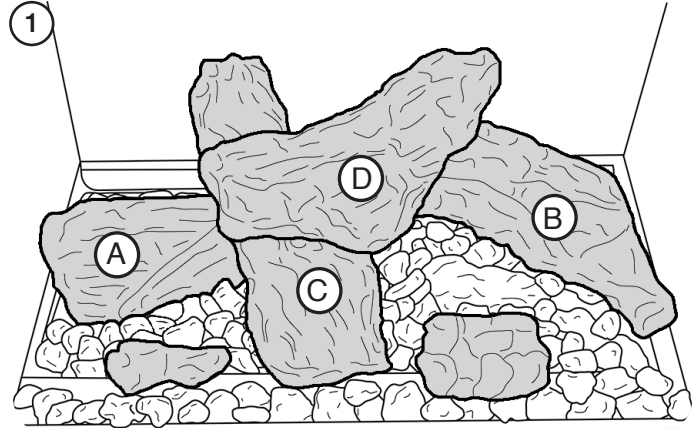
Replace ALL of the securing screws ensuring that a screw is present in all fixing slots.

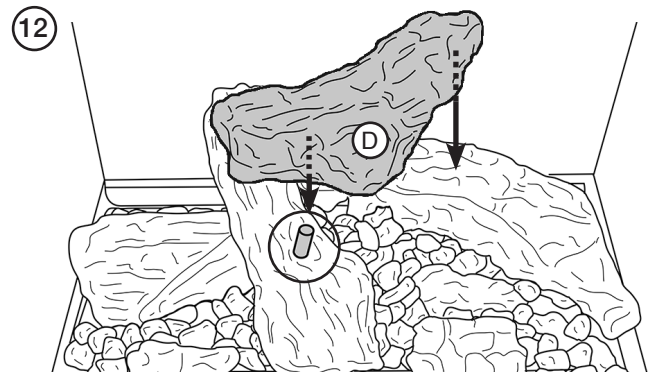
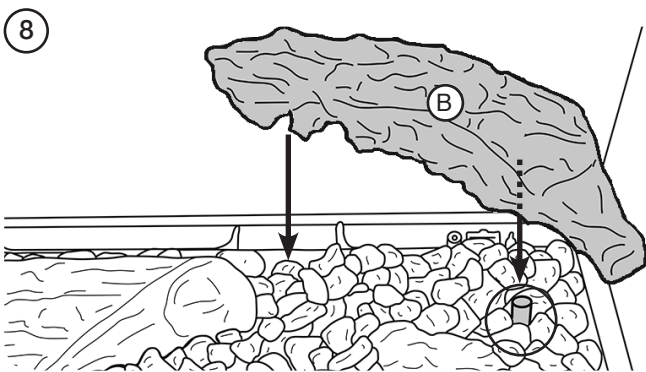
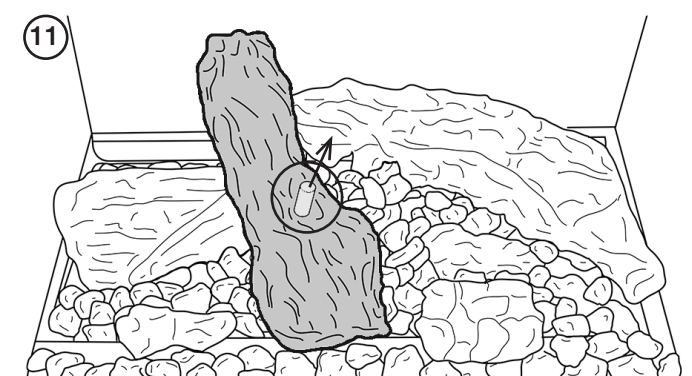
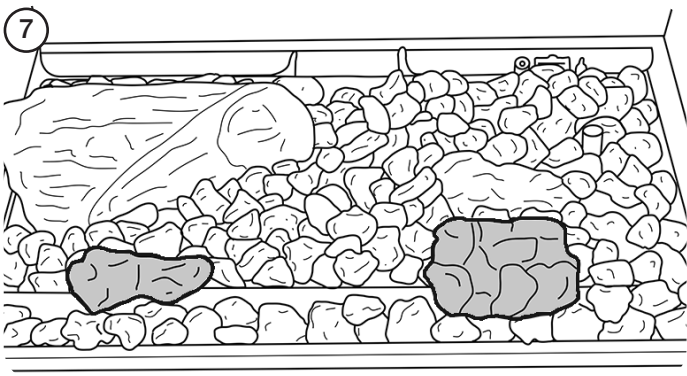
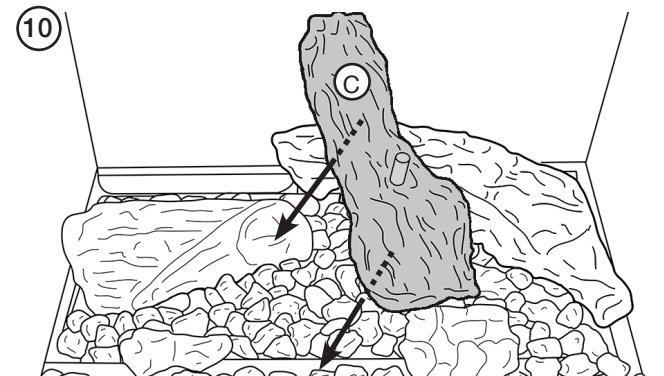
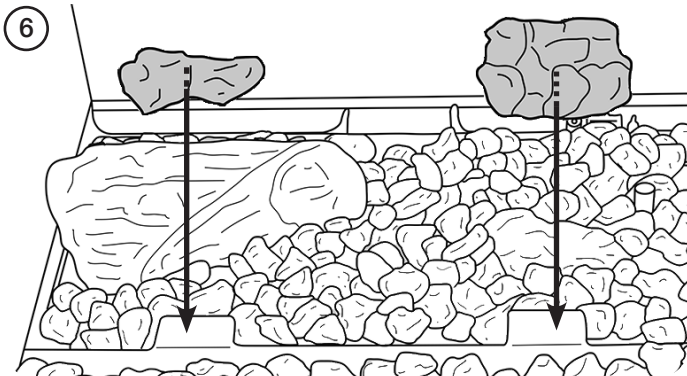
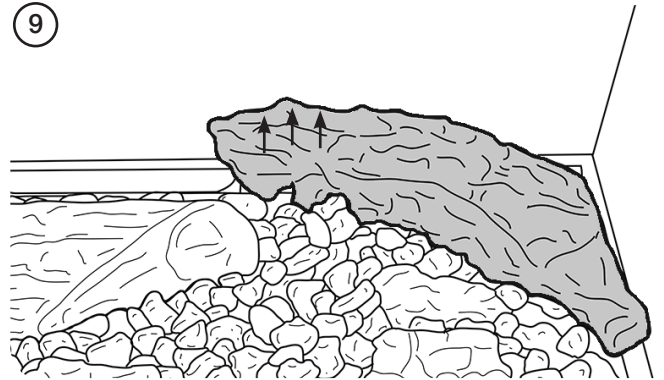
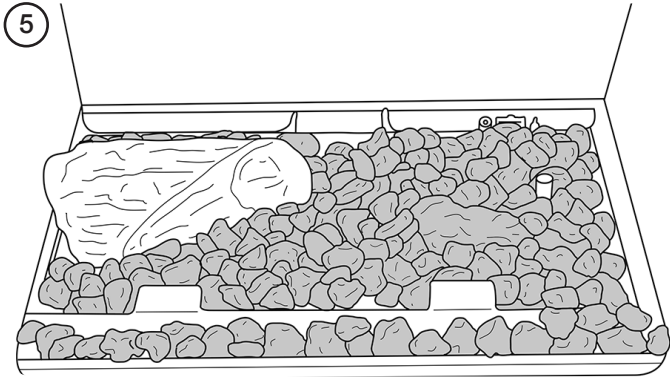


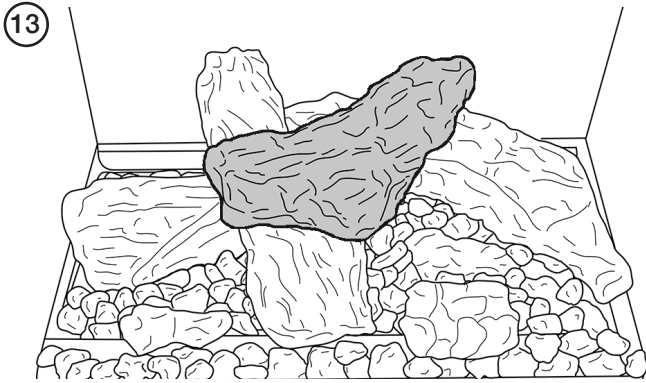
**UNDER NO CIRCUMSTANCES SHOULD THE APPLIANCE BE USED IF ANY OF THE GLASS FRAME RETAINING SCREWS ARE LOOSE OR MISSING.**

## LOG LAYOUT

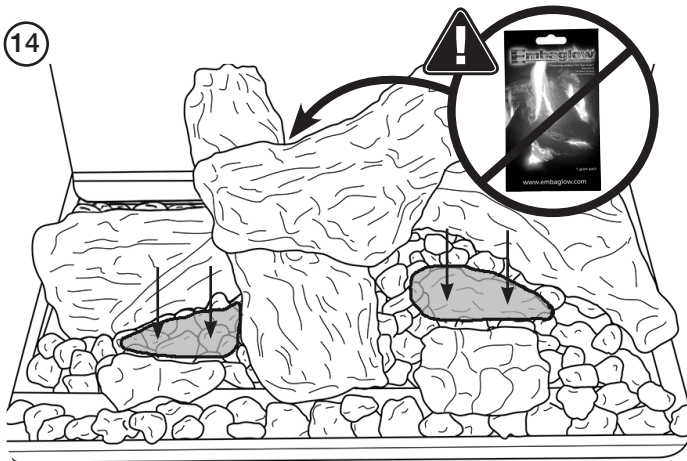
LOGS MUST BE POSITIONED ACCORDING TO THE FOLLOWING INSTRUCTIONS TO GIVE THE CORRECT FLAME EFFECT.







**IT MAY NOT BE NECESSARY TO USE ALL THE EMBAGLOW IN THIS PACK. SPARINGLY SPREAD AN AMOUNT OF THE FIBRES PROVIDED ON THE SECTIONS HIGHLIGHTED IN THE INSTRUCTIONS. Take care not to use more than specified in the instructions.**



**WARNING - DO NOT PLACE NEAR THE PILOT AREA.**

**FLAME FAILURE DEVICE**

This is a safety feature incorporated on this appliance which automatically switches off the gas supply if the pilot goes out and fails to heat the thermocouple.

**IF THIS OCCURS DO NOT ATTEMPT TO RELIGHT THE APPLIANCE FOR 3 MINUTES.**

**RUNNING IN**

During initial use of a new Gazco appliance a strong odour will be encountered as various surface coatings become hot for the first time. Although these odours are harmless it is recommended that the appliance is operated on maximum for 4 to 8 hours in order to fully burn off these coatings. After this period the odours should then disappear.

If the odours persists, please contact your installer for advice.

During the first few hours of burning there may be discolouration of the flames. This will also disappear after a short period of use.

**SERVICING AND SUPPORT**



**Servicing and Support**

To keep your appliance looking and performing at its best, it must be serviced annually. This service must be undertaken by a suitably qualified individual and your retailer can organise this for you. Alternatively, Gazco offer a manufacturers premium service with our friendly team of qualified engineers which can be booked at [www.gazco.com/support](http://www.gazco.com/support)

In all correspondence always quote the Model number and the Serial number which may be found on the Commissioning Checklist (Page 3).

**VENTILATION**

This appliance requires no additional ventilation.

**INSTALLATION DETAILS**

Your installer should have completed the commissioning sheet at the front of this book. This records the essential installation details of the appliance. In all correspondence always quote the Model number and Serial number.

**HOT SURFACES**

Parts of this appliance become hot during normal use. Regard all parts of the appliance as a 'working surface', except for the access to the controls.

Provide a suitable fire guard to protect young children and the infirm.

**APPLIANCE WILL NOT LIGHT**

If you cannot light the appliance:

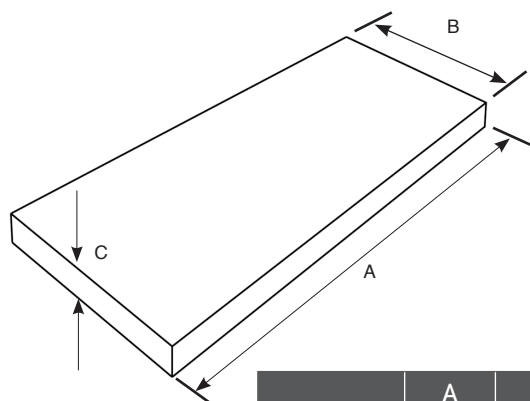
Check and change the batteries in the remote handset.

Consult your Gazco retailer or installer if the appliance still does not light.

## INSTALLATION

### APPLIANCE LOCATION

Building Regulations state this appliance must stand on a non-combustible hearth that is at least 12mm thick and projects 50mm minimum from the base of the appliance in all directions, however Gazco recommend the hearth extends to the following dimensions.



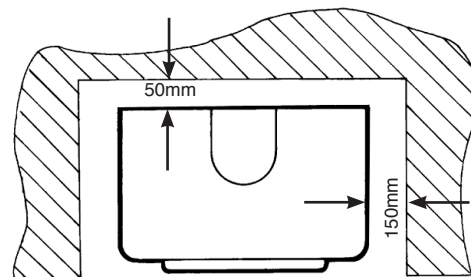
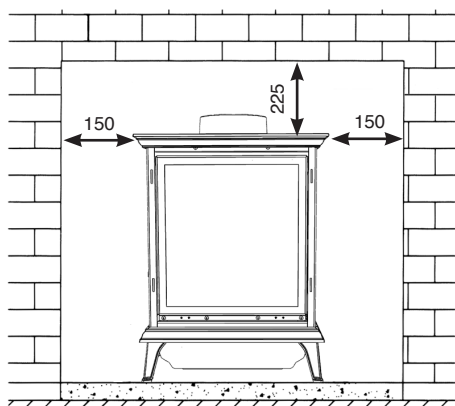
	A	B	C
Chesterfield 5	750	508	12
Sheraton 5	758	503	12

### MINIMUM CLEARANCE

The appliance is not suitable for installation against a combustible wall.

Ensure that all minimum clearances to combustible materials are complied with.

The specified clearances provide the minimum distance to combustible materials. If the appliance is intended to be installed into a non-combustible opening the clearance to the **sides and above** the appliance can be reduced. However, it is recommended that the specified clearances are maintained irrespective of the materials used in the construction of the opening to allow adequate air flow and access to controls. **The clearance at the rear of the appliance must always be a minimum of 50mm.**



**In a non-combustible recess be careful to allow enough clearance at the sides and rear of the appliance to perform spillage tests and reach the controls.**

### UNPACKING

Remove the appliance from its packaging, and check that it is complete and undamaged.

Put the loose ceramic parts to one side so that they are not damaged during installation.

## FLUE & CHIMNEY REQUIREMENTS

**Note: This appliance must only be installed with the flue supplied.**

The following: must be adhered to:

The flue must be sited in accordance with BS5440: Part 1 (latest edition).

Fit a guard to protect people from any terminal less than 2 metres above any access such as level ground, a balcony or above a flat roof.

All vertical and horizontal flues must be securely fixed and fire precautions followed in accordance with local and national codes of practice.

Two types of flue terminals are available, horizontal and vertical.

To measure for a horizontal terminal decide on the terminal position.

Measure the height from the top of the appliance to the centre of the required outlet.

For minimum and maximum flue dimensions see relevant sections.

Allow enough room either above or to the side of the appliance to assemble the flue on top.

Assemble a horizontal flue in the following order:

- Vertical section
- 90° elbow
- Horizontal plus terminal

Support the opening of a masonry installation with a lintel.

Only the horizontal terminal section can be reduced in size.

## TIMBER FRAMED BUILDINGS

It will be necessary to provide additional clearance when the flue passes through a wall containing any combustible materials so as to prevent a fire hazard.

The hole through which the flue will pass, must have a steel sleeve which is positioned so that an air gap of at least 25mm is maintained between the outer surface of the flue, and any part of the sleeve.

For further guidance on the installation of gas appliances in timber framed buildings, contact your local buildings control authority.

## GAS SUPPLY

**This appliance is intended for use on a gas installation with a governed meter.**

Make sure local distribution conditions (identification of the type of gas and pressure) and the adjustment of the appliance are compatible before installation.

Ensure the gas supply delivers the required amount of gas and is in accordance with the rules in force.

Soft copper tubing can be used on the installation and soft soldered joints outside the appliance.

A factory fitted isolation device is part of the inlet connection; no further isolation device is required.

All supply gas pipes must be purged of any debris that may have entered prior to connection to the appliance.

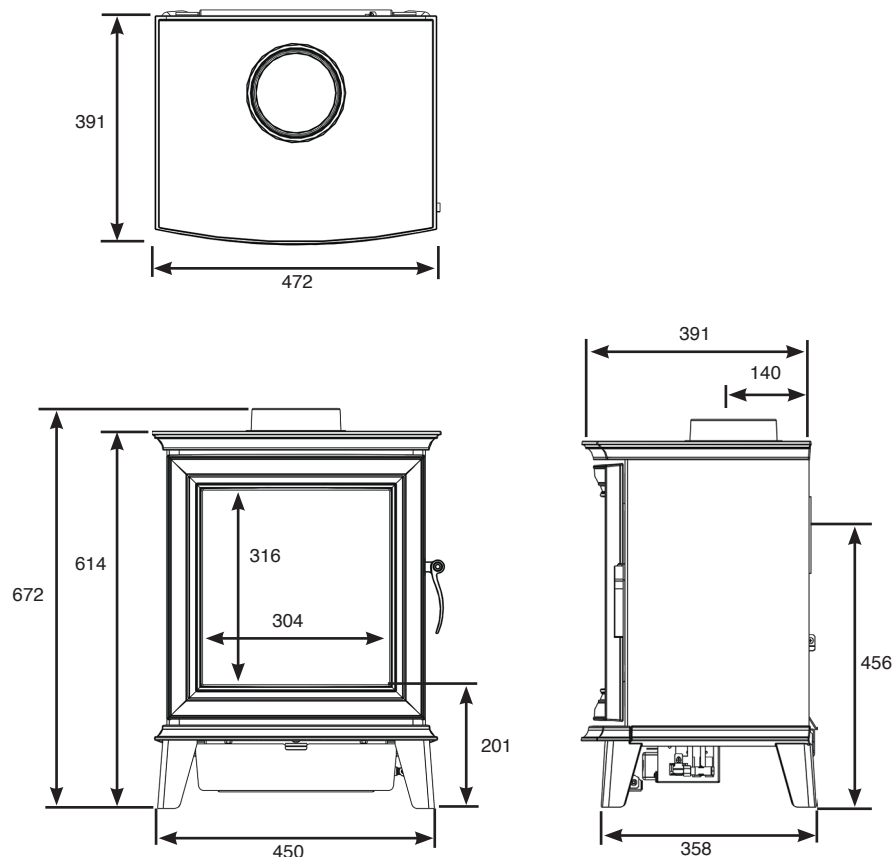
The gas supply must be installed in a way that does not restrict the removal of the appliance for servicing and inspection.

## VENTILATION

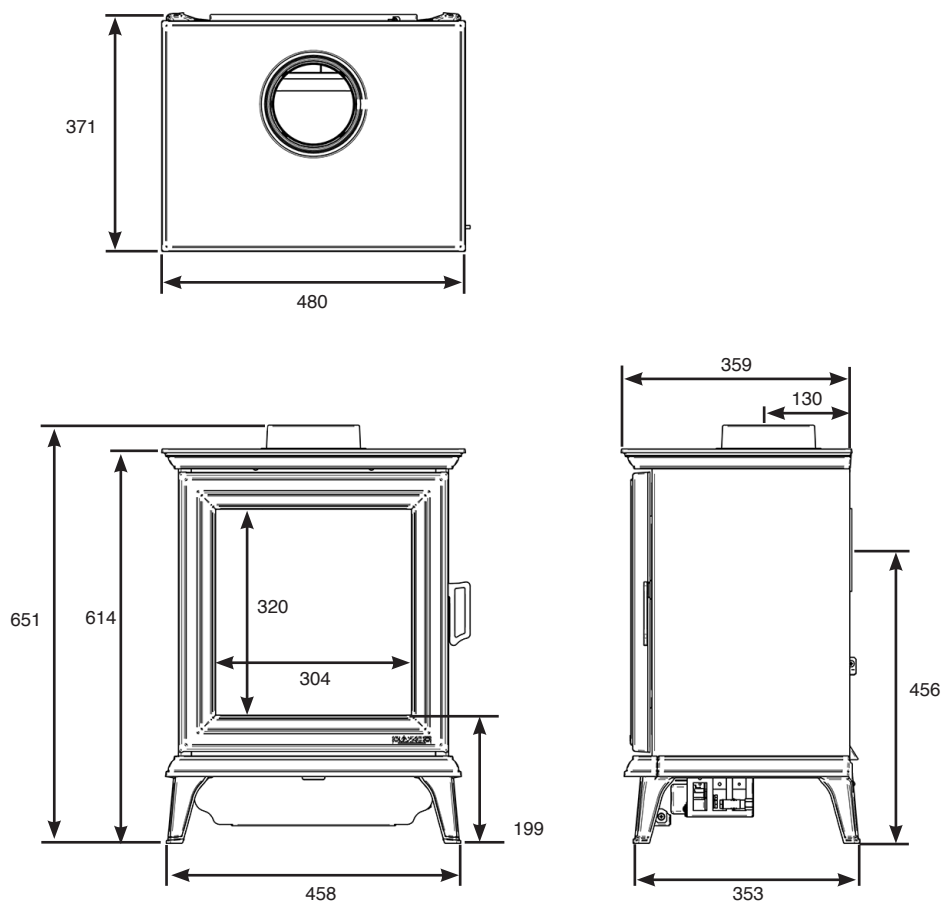
The installation of this product requires no additional ventilation modifications to the building.

DIMENSIONS

CHESTERFIELD 5



SHERATON 5



## TECHNICAL SPECIFICATION

MODEL	GAS CAT.	GAS TYPE	WORKING PRESSURE	AERATION	INJECTOR	GAS RATE M <sup>3</sup> /H	INPUT KW (GROSS)		COUNTRY
							HIGH	LOW	
CHESTERFIELD 5/ SHERATON 5	I <sub>2</sub> H	Natural Gas G20	20mbar	2 x 7.5mm Ø	063	0.447	4.7	2.5	GB, IE
	I <sub>3</sub> P	Propane G31	37mbar	N/A	111	0.181	4.8	2.5	
Rear Exit Wall Thickness - Min 200mm/ Max 550mm									
Efficiency Class 1 - 90.6%									
Flue Outlet Size ø 100mm, Flue Inlet Size ø 150mm									
Gas Inlet Connection Size ø 8mm									

**i** The net efficiency of this appliance has been measured as specified in EN613:2001 and the result after conversion to gross using the appropriate factor from Table E4 of SAP 2012 is 81.6%. The test data has been certified by Kiwa Nederland B.V. The gross efficiency value may be used in the UK Government's Standard Assessment Procedure (SAP) for energy rating of dwellings.



## TECHNICAL SPECIFICATION

This appliance has been certified for use in countries other than those stated. To install this appliance in these countries, it is essential to obtain the translated instructions and in some cases the appliance will require modification. Contact Gazco for further information.

### PACKING CHECKLIST

ALL MODELS	
Qty Description	Fixing Kit containing:-
1 x Appliance 1 x Flue Blanking plate 1 x Log set*  *Packed in appliance	1 x Instruction manual 1 x Embaglow 1 x Ø 70mm restrictor plate

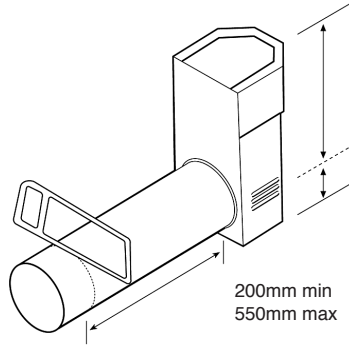
RESTRICTOR REQUIREMENT - NAT GAS				
VERTICAL & HORIZONTAL FLUE			TOP EXIT - VERTICAL ONLY INCLUDING OFFSET	
Vertical Flue Height	Horizontal Length	Restrictor Size	Vertical Flue Height	Restrictor Size
500mm - 999mm	250mm - 500mm	No restrictor	2000mm - 4999mm	Ø 52mm (Sliding)
1000mm - 1499mm	250mm - 1000mm	No restrictor	5000mm - 10,000mm	Ø 47mm (Sliding)
1500mm - 3000mm	250mm - 5000mm	Ø 70mm		
RESTRICTOR REQUIREMENT - LPG				
VERTICAL & HORIZONTAL FLUE			TOP EXIT - VERTICAL ONLY INCLUDING OFFSET	
Vertical Flue Height	Horizontal Length	Restrictor Size	Vertical Flue Height	Restrictor Size
500mm - 999mm	250mm - 500mm	Ø 75mm	2000mm - 4999mm	Ø 52mm (Sliding)
1000mm - 1499mm	250mm - 1000mm	Ø 75mm	5000mm - 10,000mm	Ø 47mm (Sliding)
1500mm - 3000mm	250mm - 5000mm	N/A		

## SITE REQUIREMENTS

### REAR FLUE

This flue extends horizontally from the back of the appliance.

ALL MODELS (8526)



Terminal dimensions:  
395 x 200 x 200 mm (H x W x D)  
Guard supplied  
Cut to length as required on site.

### TOP FLUE

There are two types of flue terminal: **Horizontal** and **Vertical**.

#### FOR HORIZONTAL TERMINAL INSTALLATIONS:

Decide on the terminal position.

Measure the height from the top of the appliance to the centre of the required hole. For minimum and maximum dimensions see all Up and Out Diagrams.

To fit the flue access is required to the top or the side of the appliance to connect the flue.

Assemble the vertical sections making sure the top plate and flue collar are fitted before the flue pipe.

Add the 90° elbow.

Add the horizontal section and terminal.

**Only the horizontal terminal can be reduced in size.**

A masonry installation requires the addition of a suitable lintel to support the opening. Refer to Technical Information for details of the flue length

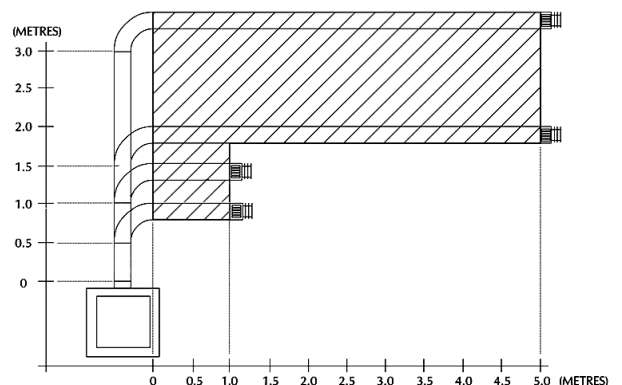
#### TOP FLUE UP AND OUT KIT

This flue rises vertically from the top of the appliance, then continues horizontally outward.

The basic kit comprises:

ALL MODELS (8523/8523AN)

- 1 x 500mm vertical length
- 1 x 500mm terminal length
- 1 x 90 degree elbow
- 1 x wall plate
- 1 x 52mm restrictor
- 1 x 60mm restrictor
- 1 x 75mm restrictor
- 4 x fixing screw



This kit provides the minimum materials. Extra lengths can be

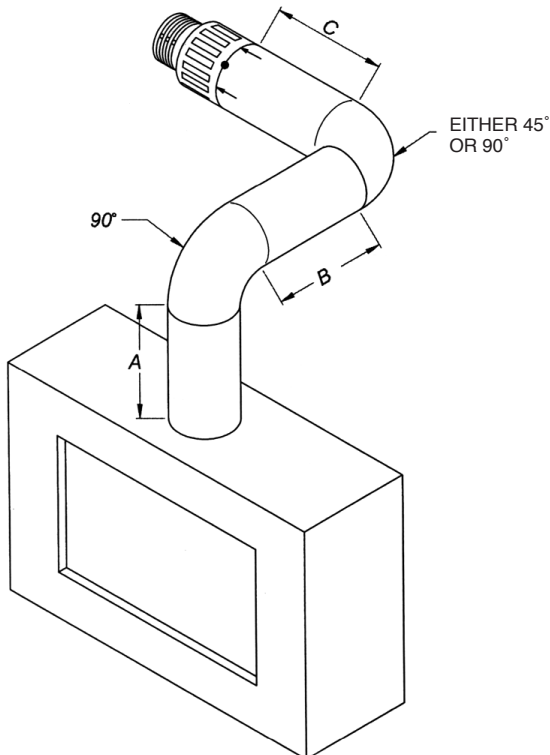
## SITE REQUIREMENTS

added to the vertical and horizontal sections.

Refer to Technical Specification to identify when to use a restrictor.

### TOP FLUE UP AND OUT WITH ADDITIONAL BEND

An additional bend can be used on the horizontal section (45° or 90°) but the overall horizontal flue is reduced.



When A = 1.0 to 1.499 metres B+C = 1.0 metre max (Nat Gas - No restrictor, LPG - 75mm Restrictor)  
 When A = 1.499 to 3.0 metres B+C = 4.0 metres max (Nat Gas - 70mm restrictor, LPG - No restrictor)

### TOP FLUE VERTICAL KIT

This flue is vertical from the top of the appliance, see Diagram. A minimum vertical rise of 2m to a maximum of 10m.

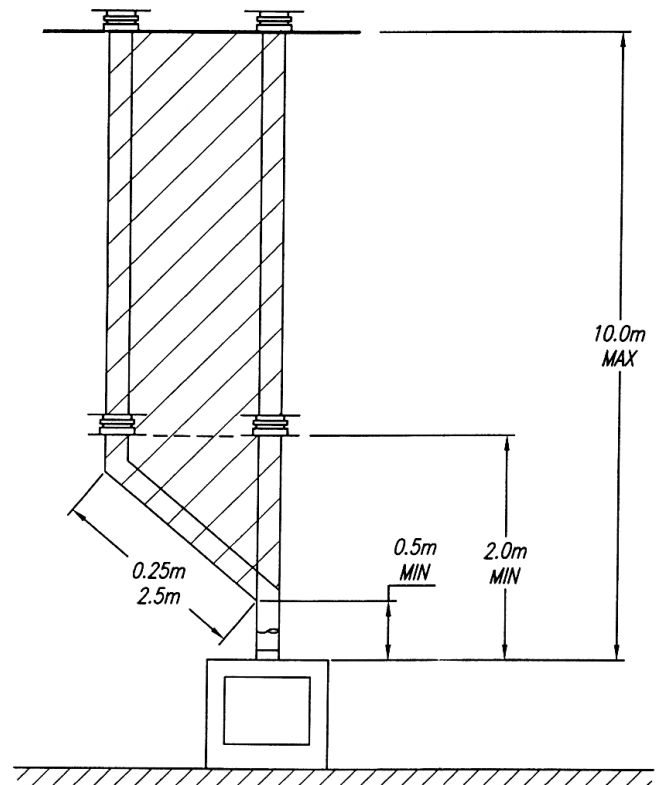
999-539/999-539AN

The basic kit comprises:

- 2 x 1m lengths
- 1 x 1m terminal lengths
- 1 x 52mm restrictor (sliding plate assembly)
- 1 x 47mm restrictor (sliding plate assembly)

Extra lengths can be added.

Refer to Technical Specification to identify when to use a restrictor.



## TOP FLUE VERTICAL OFFSET KIT

8530/8530AN

Used with kit 999-539. A minimum rise of 500mm is required to the first bend, see Diagram.

## OPTIONAL EXTRA FLUE LENGTHS AND BENDS

NOMINAL LENGTH	ACTUAL LENGTH	STAINLESS FINISH	ANTHRACITE FINISH
200mm	140mm	8527	8527AN
500mm	440mm	8528	8528AN
1000mm	940mm	8529	8529AN
45° Bend	N/A	8507	8507AN
90° Bend	N/A	8508	8508AN
Optional Flue Collar		8548MB	

## INSTALLATION

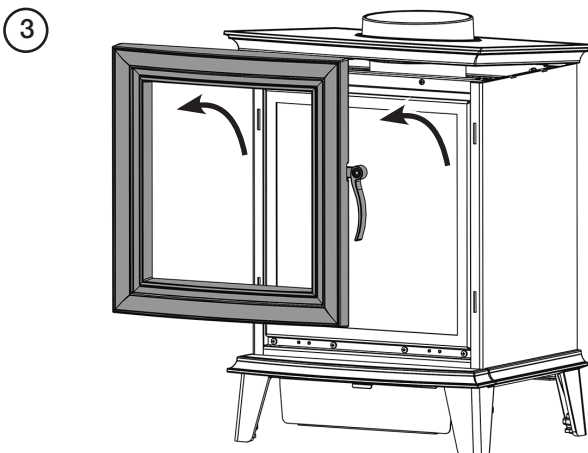
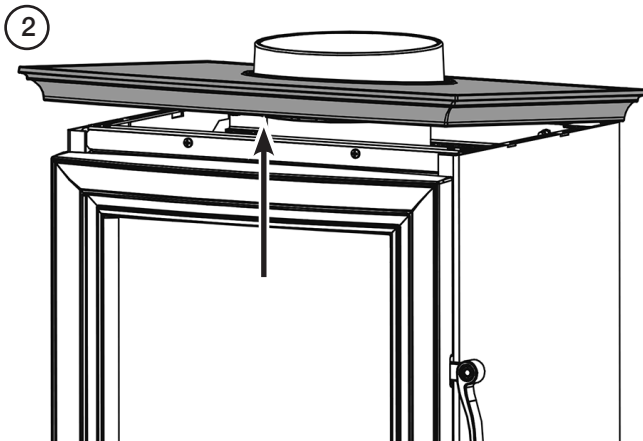
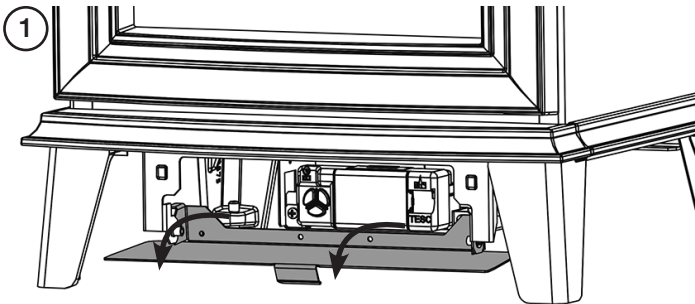


**IMPORTANT: REFER TO DATA BADGE AND TECHNICAL SPECIFICATION AT THE FRONT OF THE MANUAL TO ENSURE THE APPLIANCE IS CORRECTLY ADJUSTED FOR THE GAS TYPE AND CATEGORY APPLICABLE IN THE COUNTRY OF USE.**

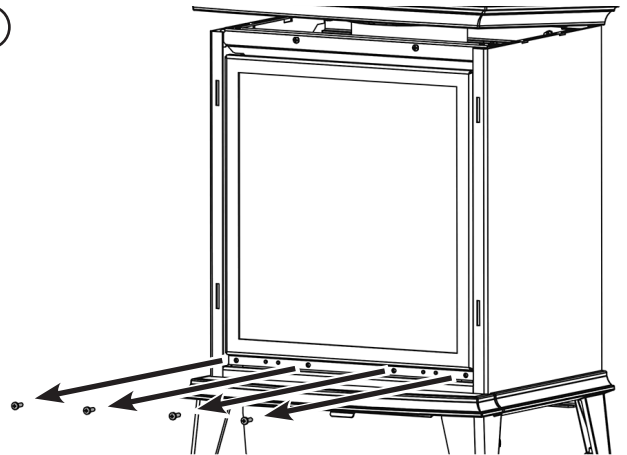
**FOR DETAILS OF CHANGING BETWEEN GAS TYPES REFER TO SERVICING INSTRUCTIONS.**



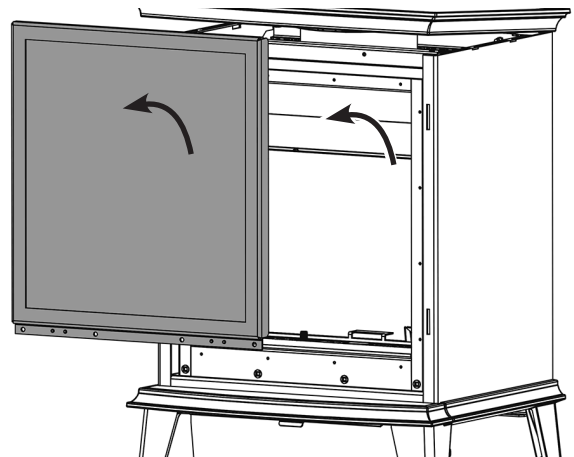
**IMPORTANT: THE OUTER PANNELLING AND DOOR OF THE APPLIANCE IS MADE FROM CAST IRON. TAKE CARE WHEN INSTALLING, REMOVING AND STORING TO AVOID DAMAGING THE OUTER CASING, HEARTH OR DOOR.**



4



5



Place carefully to one side.

Remove the box and place in a safe location.

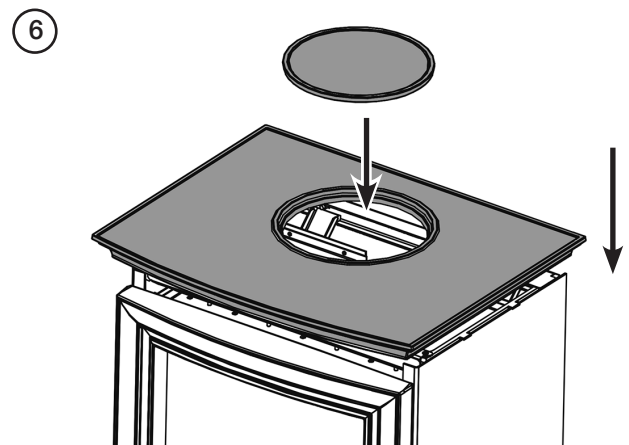
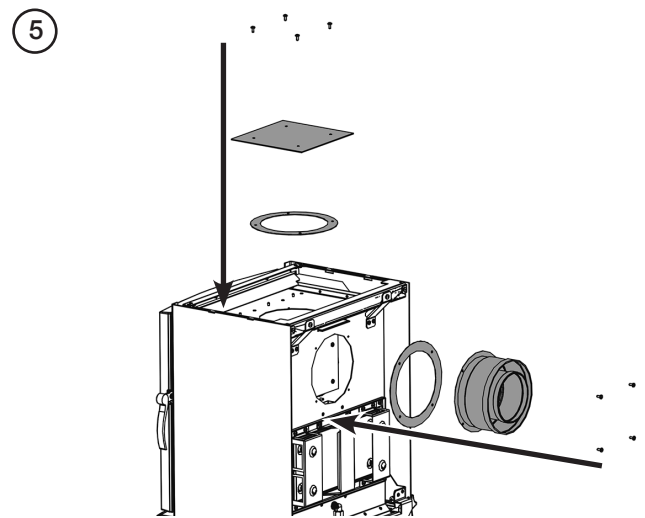
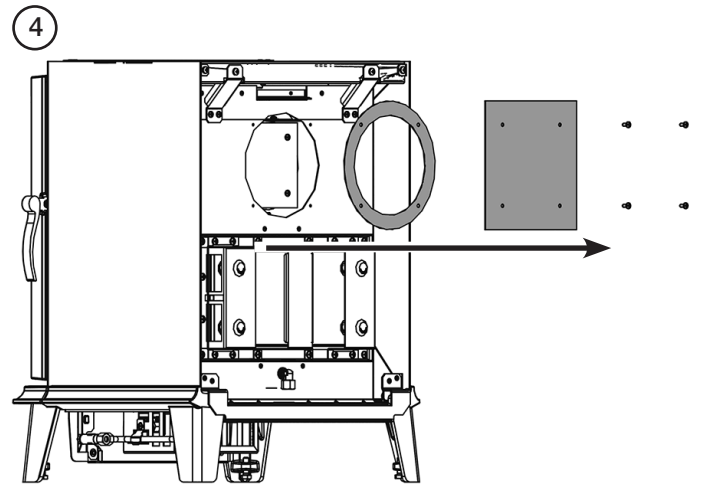
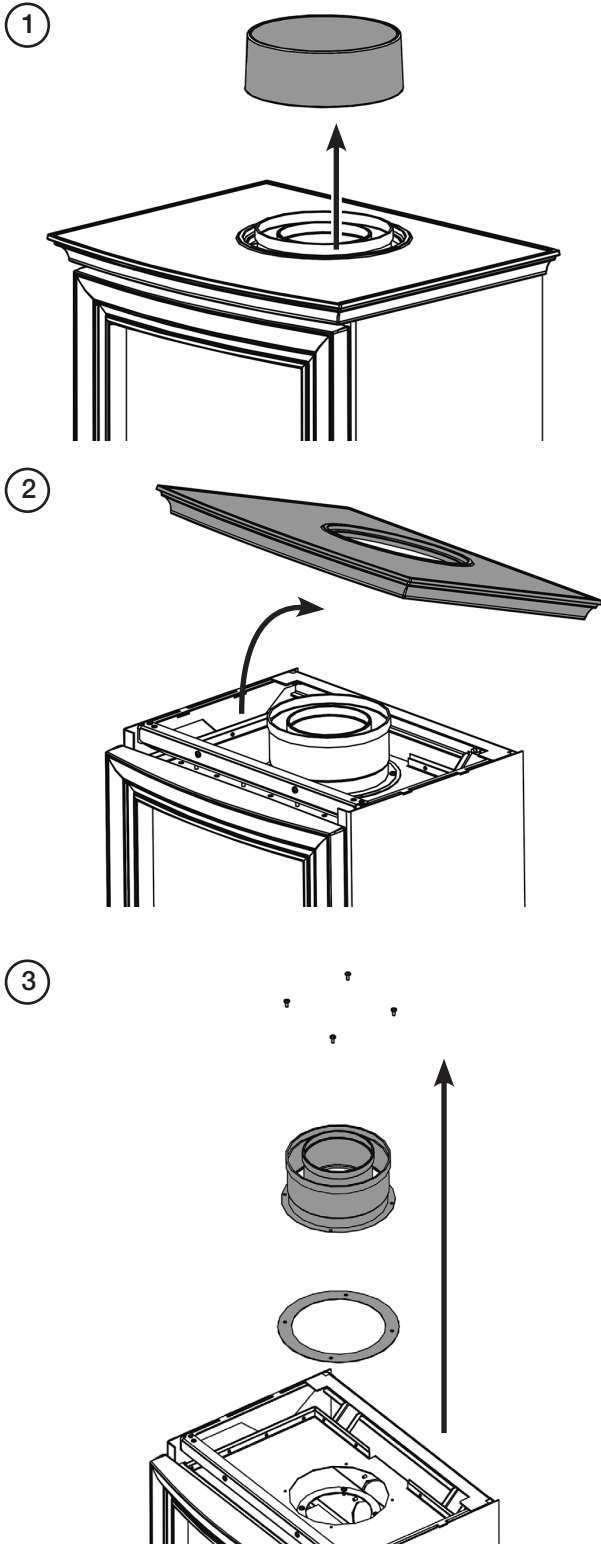
**REFER TO SITE REQUIREMENTS SECTION FOR ALL FLUE OPTIONS.**

The appliance is suitable for TOP or REAR flue exit.

TOP OR REAR EXIT

The appliance is supplied as a top exit configuration. Before locating the appliance choose the correct flue outlet position.

REAR EXIT



## FLUE ASSEMBLY

Refer to **Site Requirements** for more details.

### REAR EXIT - HORIZONTAL FLUE

#### FLUE LENGTH

##### WALL MOUNTED MODELS:

Measure the total wall thickness and add 25mm.

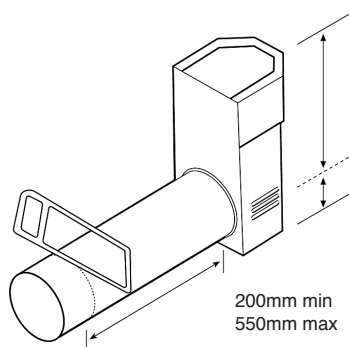
##### OTHER MODELS:

Measure the total wall thickness and add 75mm.

The total flue length gives a minimum clearance of 50mm between the rear of the appliance and the wall.

Insert the square cardboard sleeve into the flue to support the inner tube.

Cut through the flue and sleeve.



#### REMOVE THE CARDBOARD REMNANTS FROM THE FLUE.

File the cut edges smooth.

#### WALL MOUNTED BRACKET ONLY

Using the wall mounting bracket as a template, cut a 200mm  $\phi$  hole on the internal wall only.

Cut a 150mm hole on the outer wall for the terminal exit.

The Wall Mounted Kit is supplied with a protective sleeve for the flue. This can be rolled to fit through the hole in the internal wall.

Feed the sleeve through the hole in the internal wall. This will expand in the cavity to protect the flue from debris etc.

Fit the flue as detailed

#### ALL MODELS

#### TERMINAL

On the outside wall:

Position the flue assembly into the hole. The terminal should be flat against the wall.

Make sure the terminal is vertical.

Mark the four fixing holes.

Remove the terminal to drill the holes.

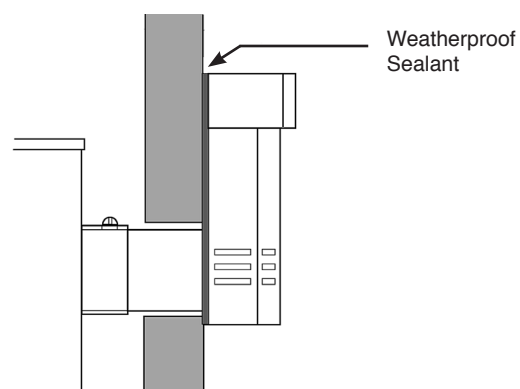
Insert wall plugs supplied.

**DO NOT FIX THE FLUE AT THIS STAGE.**

#### FLUE AND APPLIANCE FIXINGS

Position the appliance observing appropriate clearances.

Apply a bead of suitable weatherproof sealant (silicone or similar) to perimeter of back face of terminal.



Feed the flue through the wall, making sure it runs smoothly.

On the inside wall:

Engage the flue in the inner and outer spigots.

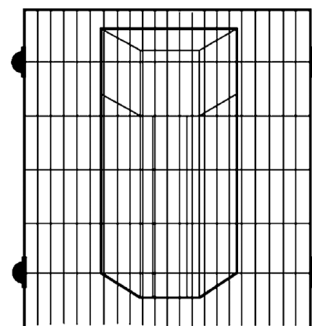
Make sure rubber seal on the spigot is not damaged.  
NOTE: There is no seal on the inner ring.

From outside:

Insert four screws in the flanges of the flue terminal.

Check sealant has formed a water-tight joint to the wall.

Any terminal less than 2m above any access (level ground, balcony or flat roof with access) must be fitted with the guard supplied.



## FLUE ASSEMBLY

### TOP EXIT - UP & OUT



**ENSURE THE BLACK DECORATIVE TOP AND COLLAR ARE FITTED TO THE TOP OF THE APPLIANCE PRIOR TO INSTALLATION OF A TOP FLUE EXIT. THIS MUST BE POSITIONED BEFORE INSTALLING THE FLUE.**



**A restrictor may be required with top exit flues. See Technical Specification for restrictor sizes.**

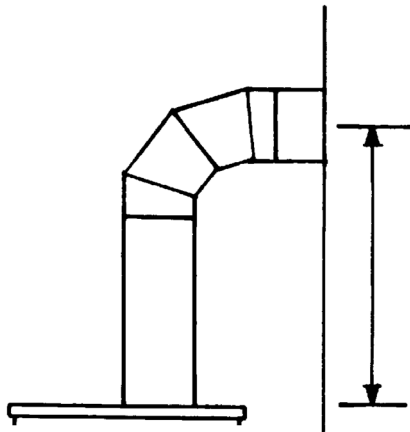
### WALL PLATE

A wall plate is supplied to secure the flue to the inside wall. Bend the securing tab to 90° and slot the plate over the flue before bringing the flue through the wall.

Mark the fixing holes using the wall plate as a template. The tab can be above or beneath the flue.

### FLUE APERTURE

Mark the height from the top of the appliance to the centre of the horizontal section.



**TAKE CARE TO MARK OUT THE FLUE CORRECTLY. IT IS DIFFICULT TO MOVE AFTER INSTALLATION.**

Create a 152mm diameter hole for the flue using either:

- a core drill, or
- a hammer and chisel

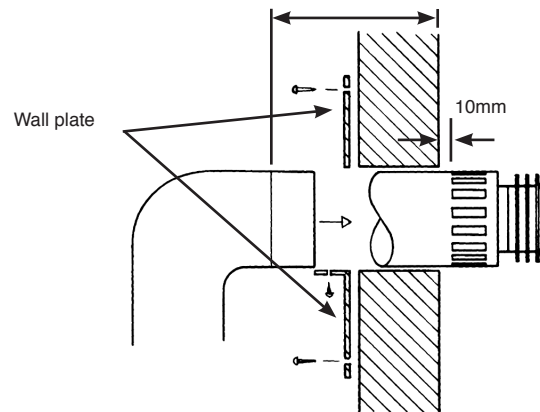
Make good at both ends of the hole.

### FLUE LENGTH

The final length of the flue pipe includes the terminal. The terminal is the only section that can be shortened. **DO NOT SHORTEN ANY OTHER SECTION OF FLUE PIPE.**

Measure from the outside of the wall to the stop on the 90° elbow.

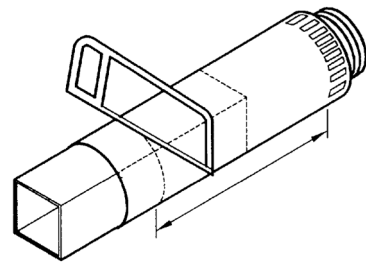
Fit horizontal flue section between the elbow and the terminal at this stage, if required.



Mark the correct length all the way around the flue terminal section.

Insert the square cardboard sleeve into the flue to support the inner tube.

Cut through the flue and sleeve.



**REMOVE THE CARDBOARD REMNANTS FROM THE FLUE.**

File the cut edge smooth.

### FLUE AND APPLIANCE FIXINGS

Pull appliance and flue assembly away from the hearth.

Drill 4 fixing holes for the wall plate and insert wall plugs supplied.

Put the horizontal flue onto the elbow and reposition the appliance.

Check the flue runs smoothly through the wall.

Fix the wall plate to the wall using the 4 black screws provided.

Drill through the fixing tab of the wall plate using a 3.5mm drill.

Secure with the screw provided.

Make good and weatherproof around the outside of the flue.



## FLUE ASSEMBLY

### TOP EXIT – VERTICAL FLUE



**NOT SUITABLE FOR A WALL MOUNTED APPLIANCE FITTED WITH A TOP EXTENSION SECTION.**

Where a vertical only flue system has been purchased, refer to Installation & Instructions, Site Requirements.

Pay careful attention to the following:

- Terminal positions
- Flue supports
- Weatherproofing
- Fire precautions

Local and national codes of practice must be followed for all the above.

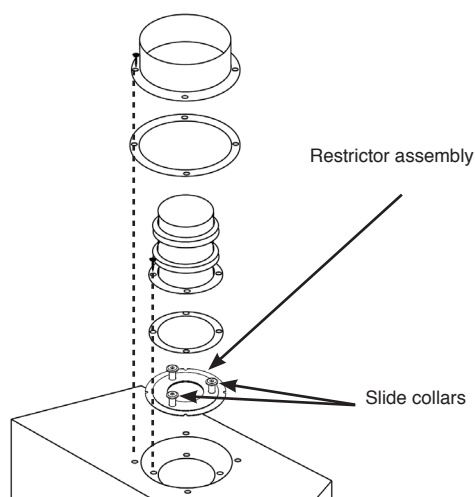


**A restrictor must be fitted with vertical flues. See Technical Specification for restrictor sizes.**



**PLEASE NOTE:** When installing the appliance in conjunction with a vertical termination kit, there is a unique kit for use with this appliance (Gazco Part No. 999-539). This kit differs in that it has restrictors with sliding plates. Please ensure you have the correct kit before proceeding with the installation.

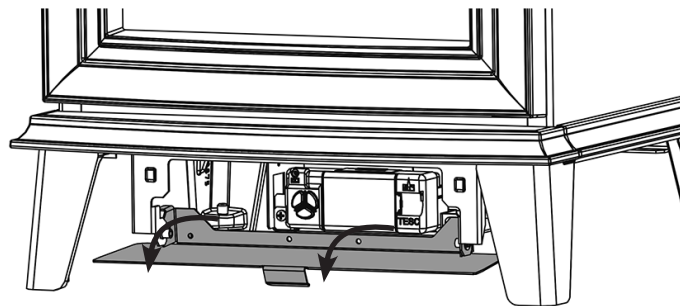
It is important that the sliding restrictor assembly is used. The restrictor assembly must be fitted with the slide collars uppermost and the top restrictor plate must be checked to ensure it moves freely before the flue is fitted.



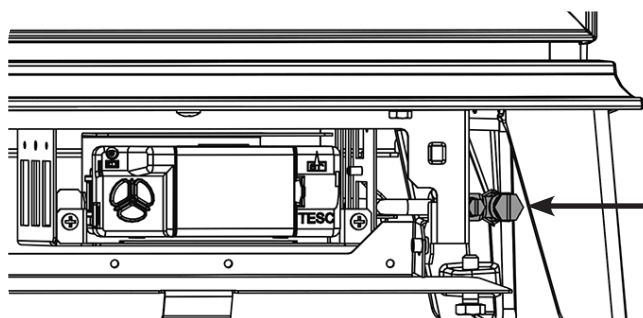
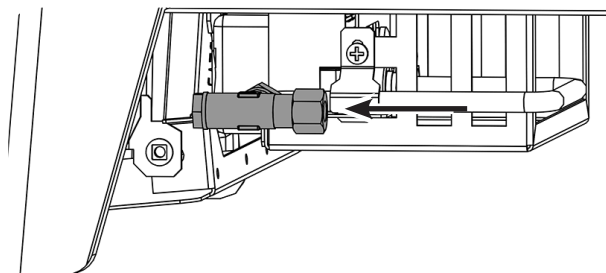
### GAS SOUNDNESS PRESSURE CHECK

Purge the supply pipe.

This is essential to expel any debris that may block the gas controls.



Connect the gas to the 8mm elbow on the rear of the appliance.

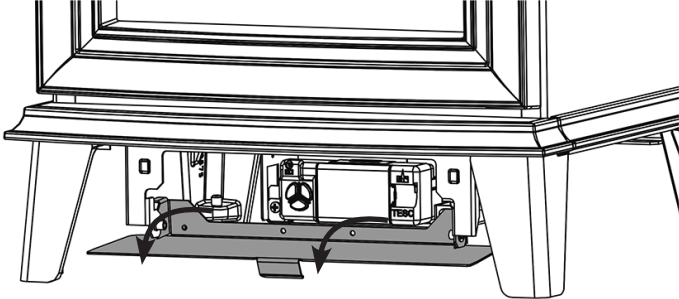


Connect a suitable pressure gauge to the test point located on the inlet fitting and turn the gas supply on. Light the appliance and check all gas joints for possible leaks. Turn the appliance to maximum and check that the supply pressure is as stated on the databadge. Turn the gas off and replace the test point screw, turn the gas on and check the test point for leaks.

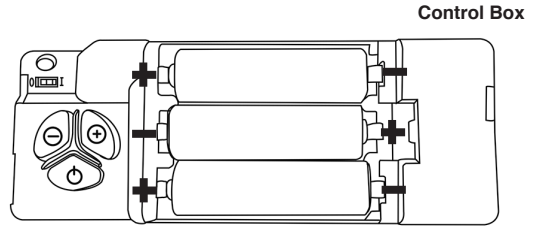
## BATTERY INSTALLATION

The appliance Control Box requires 3 AA size alkaline batteries.

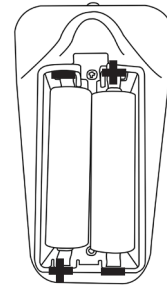
The handset requires 2 AA size alkaline batteries.



Slide the Power Switch on the Control Box to the OFF (o) position before attempting to change the batteries.



Control Box



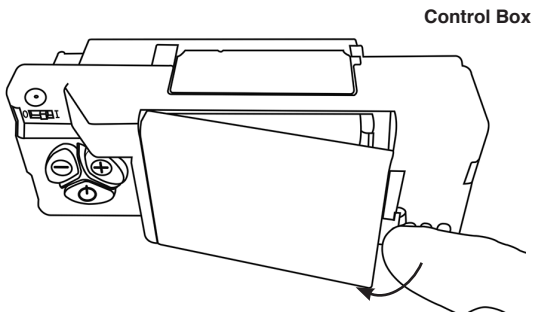
Remote Control



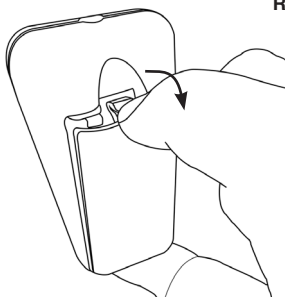
It is essential to use high quality batteries (Duracell or equivalent) when replacing batteries in the handset or control box.



Power Switch



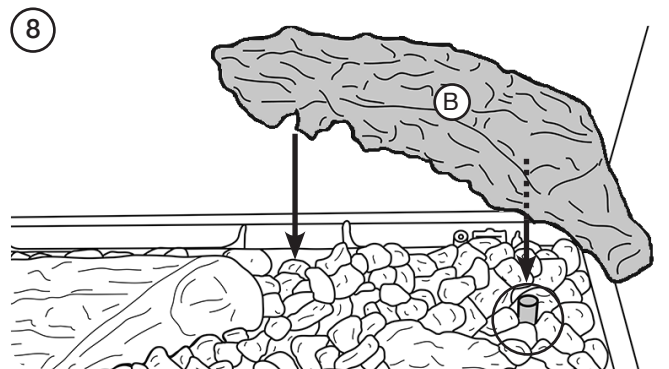
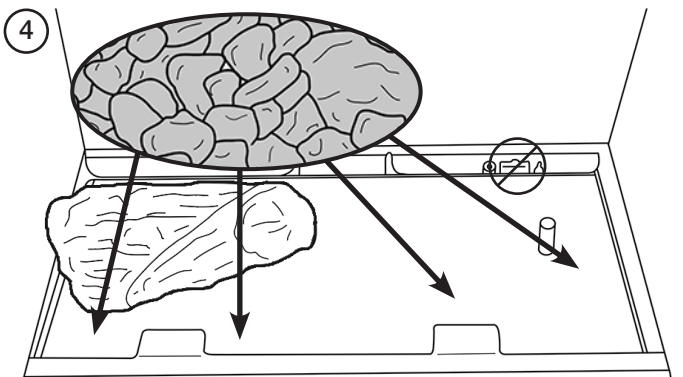
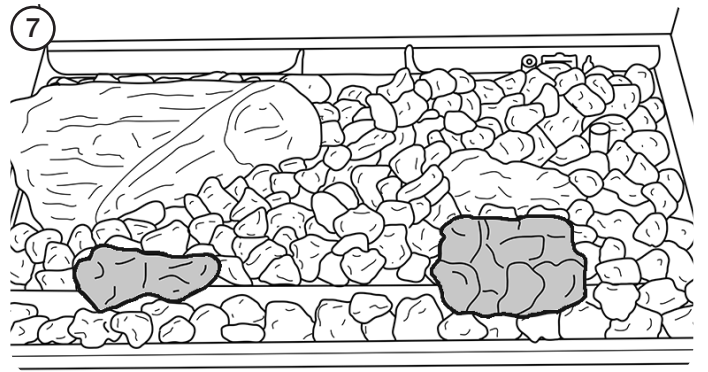
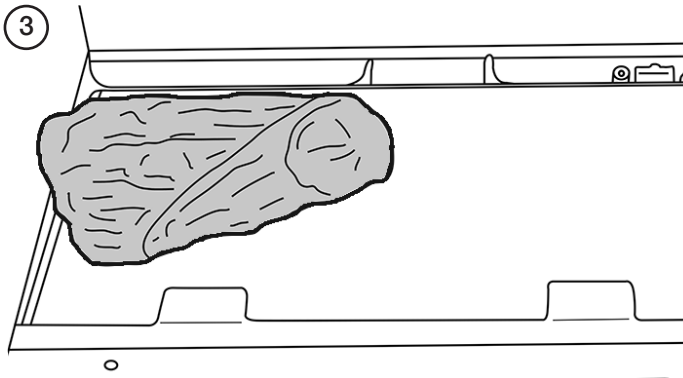
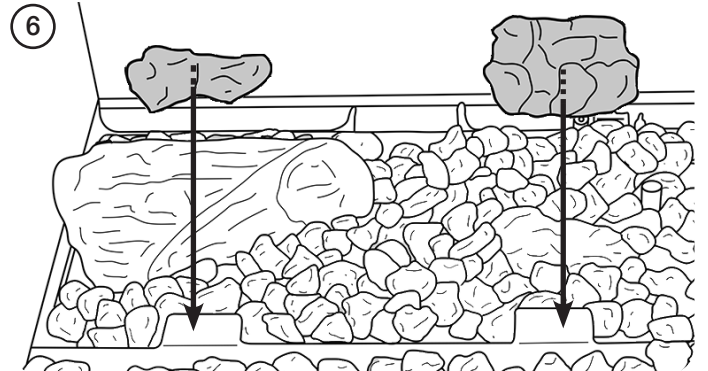
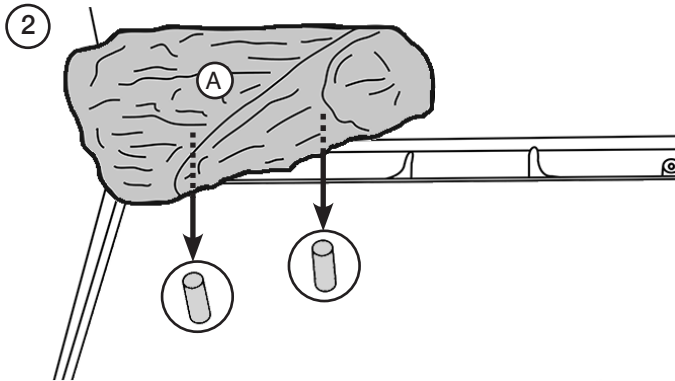
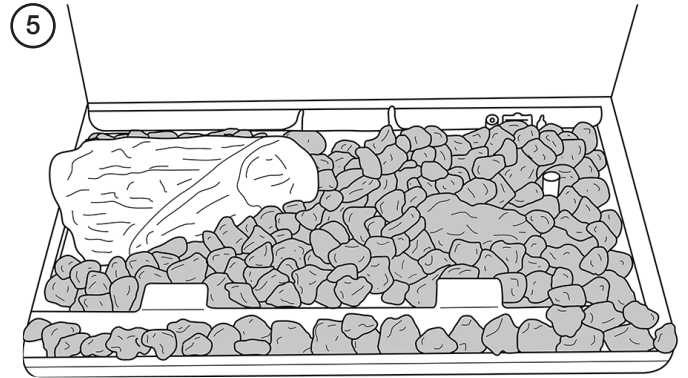
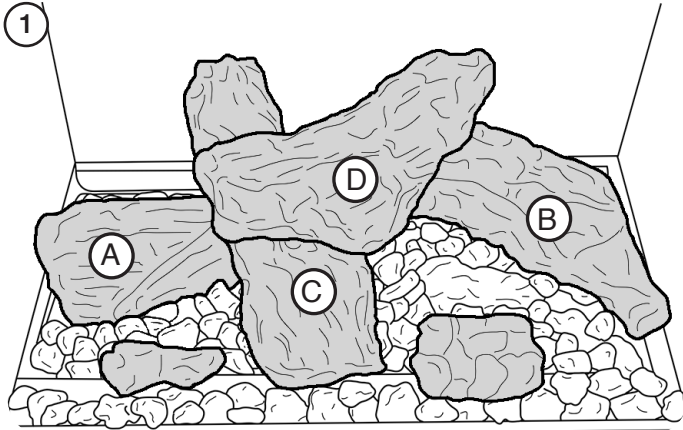
Control Box

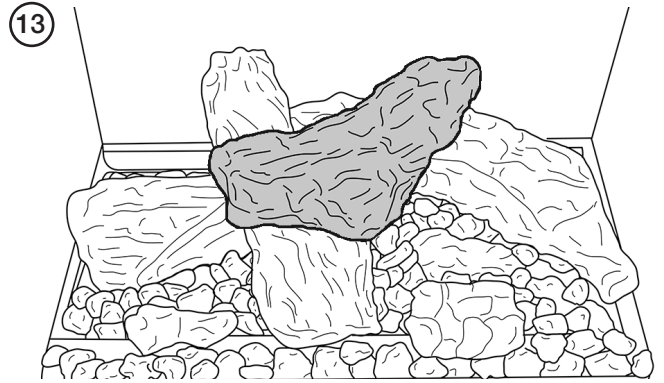
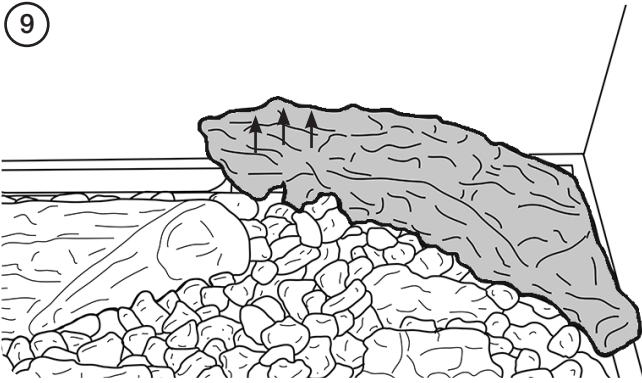


Remote Control

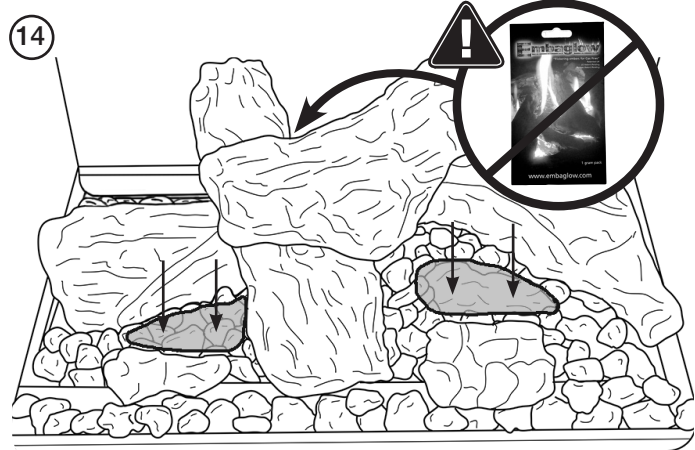
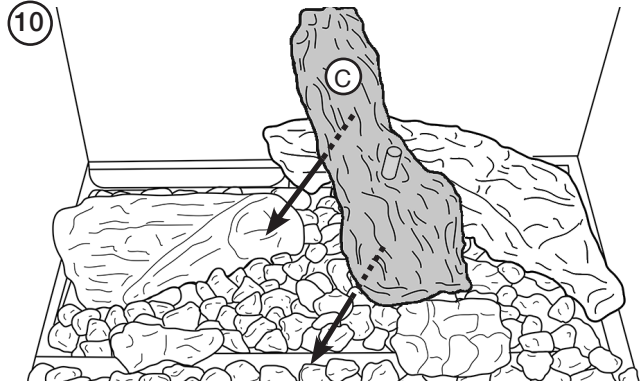
## LOG LAYOUT

LOGS MUST BE POSITIONED ACCORDING TO THE FOLLOWING INSTRUCTIONS TO GIVE THE CORRECT FLAME EFFECT.

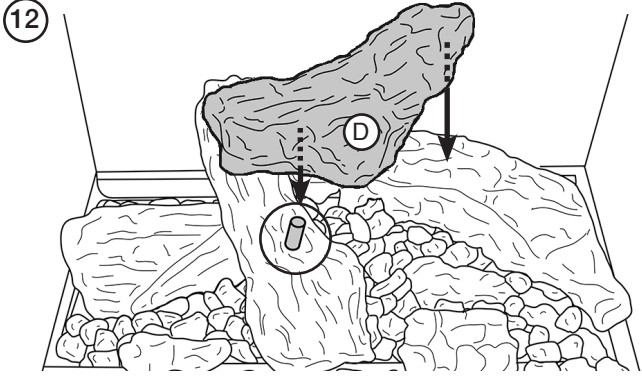
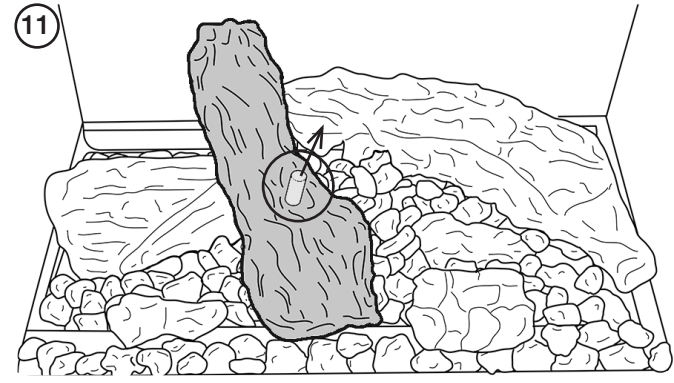




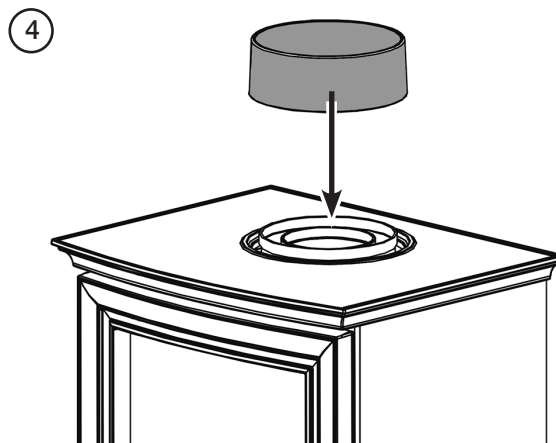
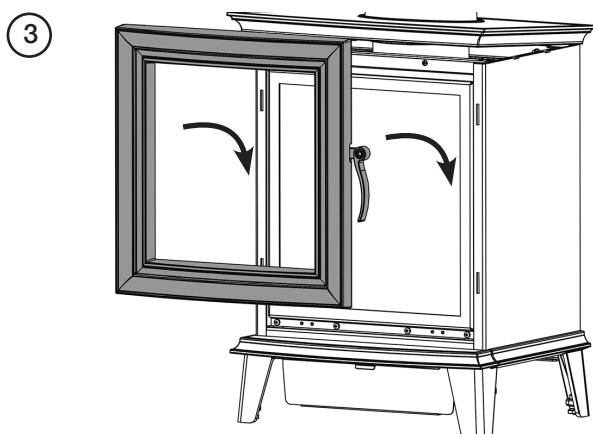
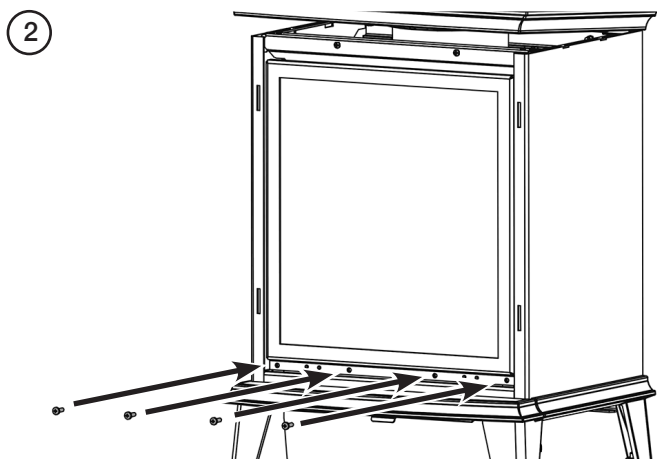
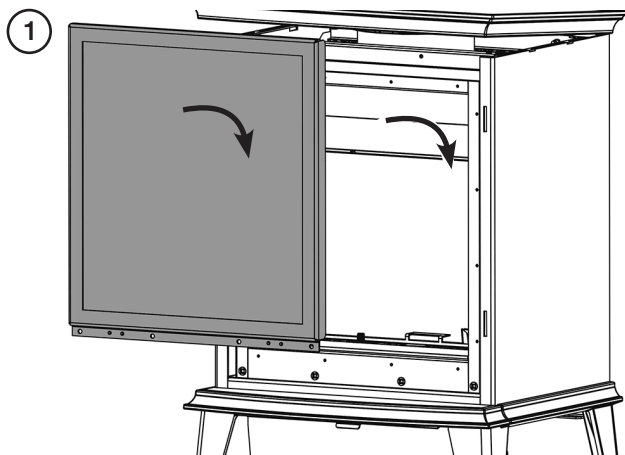
**IT MAY NOT BE NECESSARY TO USE ALL THE EMBAGLOW IN THIS PACK. SPARINGLY SPREAD AN AMOUNT OF THE FIBRES PROVIDED ON THE SECTIONS HIGHLIGHTED IN THE INSTRUCTIONS. Take care not to use more than specified in the instructions.**




**WARNING - DO NOT PLACE NEAR THE PILOT AREA.**



## COMPLETION OF ASSEMBLY



 **UNDER NO CIRCUMSTANCES SHOULD THE APPLIANCE BE USED IF ANY OF THE GLASS FRAME RETAINING SCREWS ARE LOOSE OR MISSING.**

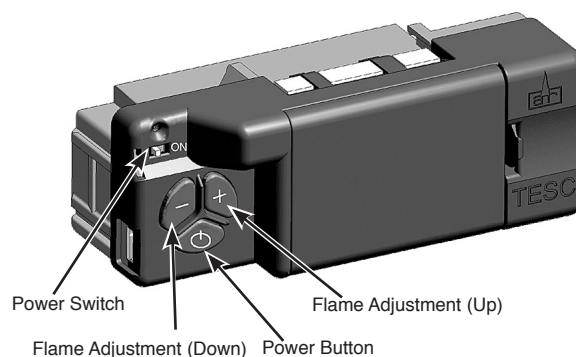
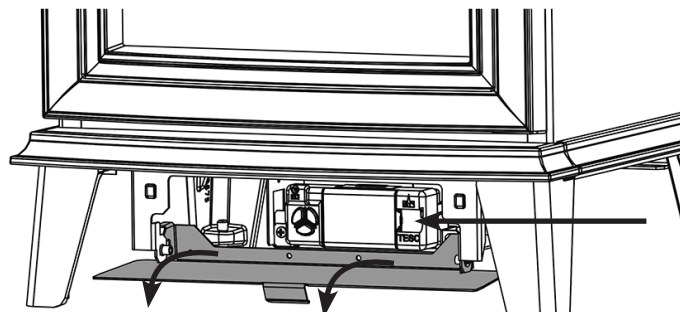
## OPERATING THE APPLIANCE

There are two ways of lighting the appliance:

Using the **Manual Controls** on the Control Box (located on the appliance).

By **Thermostatic Remote Control**.


### MANUAL OPERATION (CONTROL BOX)



To operate the appliance the Power Switch on the Control Box must be switched ON (I).

**i** **Note:** The Power Switch does not need to be turned off each time the appliance is not in use. However, if the appliance is left unattended for long periods of time (e.g. vacation), it is recommended to place the Power Switch into the off position.

**TURNING THE APPLIANCE ON:**

Press and hold the  Power Button for 1 second and release. The burner will light approximately 2 to 3 seconds later.

Use + and - buttons to adjust the flame height between Minimum and Maximum.

**TURNING THE APPLIANCE OFF**

Press the  power button to turn the appliance off.

**i** **IMPORTANT: YELLOW FLAMES TYPICALLY APPEAR WHEN THE APPLIANCE HAS REACHED NORMAL OPERATING TEMPERATURE. THIS CAN TAKE UP TO 30 MINUTES.**

**! WARNING: IF THE APPLIANCE FAILS TO LIGHT OR BECOMES EXTINGUISHED IN USE, WAIT 3 MINUTES BEFORE ATTEMPTING TO RELIGHT. THE APPLIANCE WILL TAKE 3 AUTOMATIC ATTEMPTS TO RESTART. DO NOT INTERRUPT THE VALVE DURING THIS PROCESS.**

**REMOTE CONTROL**

To operate the appliance the Power Switch on the Control Box must be switched ON ( I ) .

**i** **To activate the Remote Control it will be necessary to cradle the handset to unlock. The green light will illuminate to show the handset is ready to use. IMPORTANT: Continue to cradle the handset throughout an operation to keep it unlocked. If the green light goes off during an operation it will be necessary to reposition the handset so the light comes back on and restart the operation.**



**HANDSET INITIAL SET UP**

Following initial set up or new pairing it will be necessary to set the time and date.

**i** **Note: Pressing SET button will advance the display to the next screen and pressing MODE button will return it to the previous setting.**

**SETTING THE TIME**

Once the handset is paired the screen will show that the time is not yet set. The handset will then automatically progress to the next setup screen.



## SETTING THE DISPLAY FOR 12 OR 24 HOUR CLOCK

Holding the remote to keep the green light on and the handset unlocked the handset will display an H:24.



24 denotes a 24 hour clock and 12 denotes a 12 hour clock.

Press the + or - button on the handset to toggle between the two settings. Press the SET button to confirm and progress to setting the day of the week.

## SETTING THE DAY OF THE WEEK

Press and release the + and - buttons until the correct day of the week is shown on the display.



**Mo** = Monday, **Tu** = Tuesday, **We** = Wednesday, **Th** = Thursday, **Fr** = Friday, **Sa** = Saturday and **Su** = Sunday.

Press SET to confirm the day of the week and progress to setting the time.

## SETTING THE HOUR

Press and release the + or - button to change the hour to the correct hour. Press SET to confirm and progress to setting the minute.



## SETTING THE MINUTES

Repeat the process to change the minutes.

## SETTING THE TEMPERATURE DISPLAY (CELSIUS OR FAHRENHEIT)

Press and release the + or - button to toggle between C and F. When the display shows the desired symbol, press and release the SET button to store.



Place the handset down and wait until the home screen is displayed and the unlock light goes off.



**ALL THE NECESSARY SETTINGS REQUIRED HAVE NOW BEEN COMPLETED. ANY FURTHER FUNCTIONS ON THIS HANDSET ARE FOR FACTORY SETTING AND NOT TO BE USED.**

The Handset is now ready to operate the appliance.

## OPERATING THE APPLIANCE

### TURNING THE APPLIANCE ON

Press the Power Button until Pilot flashes on the display.

Release the Power Button and the Flame symbol will appear on the display.

**If the button is held the command will be cancelled for safety reasons.**

Holding the handset to unlock, use + and - buttons to adjust the flame height between Minimum and Maximum.

### TURNING THE APPLIANCE OFF

Holding the handset to unlock, press the power button to turn the appliance off.



**IMPORTANT: YELLOW FLAMES TYPICALLY APPEAR WHEN THE APPLIANCE HAS REACHED NORMAL OPERATING TEMPERATURE. THIS CAN TAKE UP TO 30 MINUTES.**



**WARNING: IF THE APPLIANCE FAILS TO LIGHT OR BECOMES EXTINGUISHED IN USE, WAIT 3 MINUTES BEFORE ATTEMPTING TO RELIGHT.**

**THE APPLIANCE WILL TAKE 3 AUTOMATIC ATTEMPTS TO RESTART. DO NOT INTERRUPT THE VALVE DURING THIS PROCESS.**

## COMMISSIONING THE APPLIANCE

Complete the Commissioning Checklist at the front of this manual covering:

- Thermocouple soundness checks.  
This is to include ensuring the thermocouple is secure on the pilot bracket assembly, lead connection and integrity.
- Flue checks
- Gas checks
- Log/fuel effect layout - flame picture

Ensure all safety checks listed in the Commissioning Section are completed, paying particular attention to the glass panel checks and securing of the glass frame.

Upon completion of the commissioning and testing of the installation and correct operation of the appliance, the installer must instruct the user how to operate the appliance.

Guide the user through the User Instructions paying particular attention to:

- a) Regular servicing (User Instructions).
- b) Ventilation (User Instructions) - point out the ventilation positions where applicable.
- c) Hot surfaces (User Instructions).

## PAIRING THE APPLIANCE

It may be necessary to pair the handset to the appliance following servicing.


Ensure the Power switch on the Control Box is in the ON ( I ) position.

Cradle the handset to unlock.  
The green light must be illuminated for the handset to accept commands.

Simultaneously press and hold the - and + buttons on the Control Box, until the red light appears on the Control Box.



**WARNING: IF THE + AND - BUTTONS ARE DEPRESSED FOR 20 SECONDS OR MORE THE LIGHT WILL EMIT A SLOW STEADY PULSE. FURTHER ACTIONS WILL REMOVE ANY HANDSET PAIRING.**

Release the - and + buttons and within 1 second press the  Power Button on the Control Box.

The handset emits a short beep, the green light on the handset flashes and the following icon is displayed.



With the display showing the icon press and hold the SET button to pair the handset to the appliance.

Following new pairing it will be necessary to set the time and date, see Installation Instructions.

If too much time passes without the SET command the display will show the following.



The handset has not paired and the process will need to be started again.



## SERVICING REQUIREMENTS/ FAULT FINDING CHARTS



**IMPORTANT** – Check the glass panel on this appliance for any signs of damage on the glass panel (scratches, scores, cracks or other surface defects). If damage is observed, the glass panel must be replaced and the appliance must not be used until a replacement is installed.

**DO NOT USE** the appliance if any damage is observed.

Isolate the appliance until a replacement has been obtained and installed. Purchase replacement glass panels from Gazco via the retailer from which the appliance was purchased or any other Gazco distributor.

This appliance must be serviced at least once a year by a competent person.

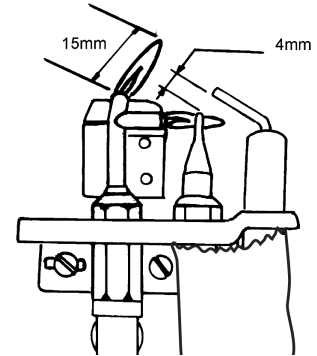
All tests must be carried out in accordance with the current Gas Safe recommendations.

### BEFORE TESTING:

- Conduct a gas soundness test for the property ensuring there are no leaks before servicing.
- Check the operation of the appliance before testing.

### SPECIAL CHECKS:

- Clean the burner using a vacuum cleaner with a soft brush attachment. Ensure all debris is removed from the burner ports.
- Clean away lint or fluff from the pilot.
- Clean away lint or fluff from under the burner.
- Check the spark gap on the pilot is correct.
- Ensure that the glass frame is secured correctly and that all retaining screws are in place.

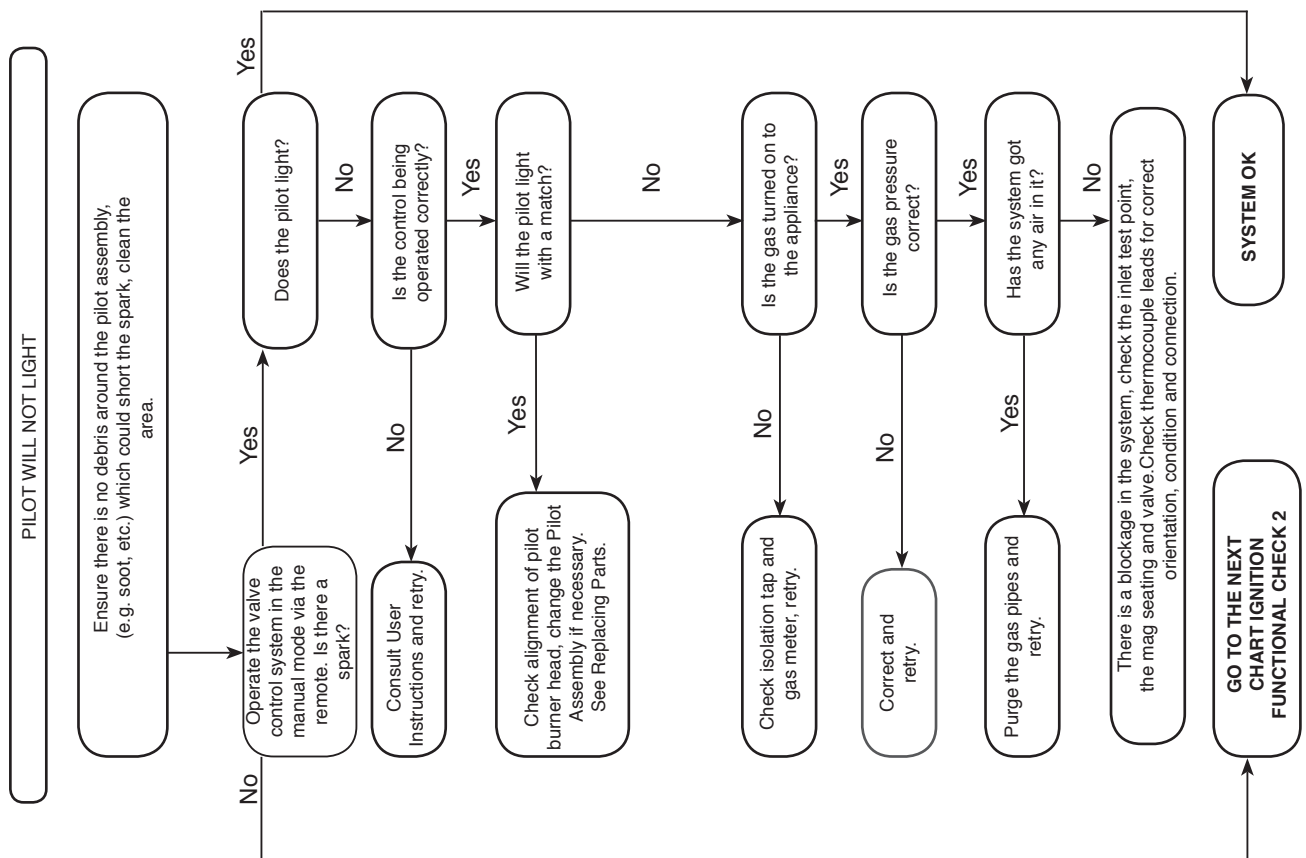


Correct any faults found during the initial test.

Re-commission the appliance in accordance with Commissioning Procedures.

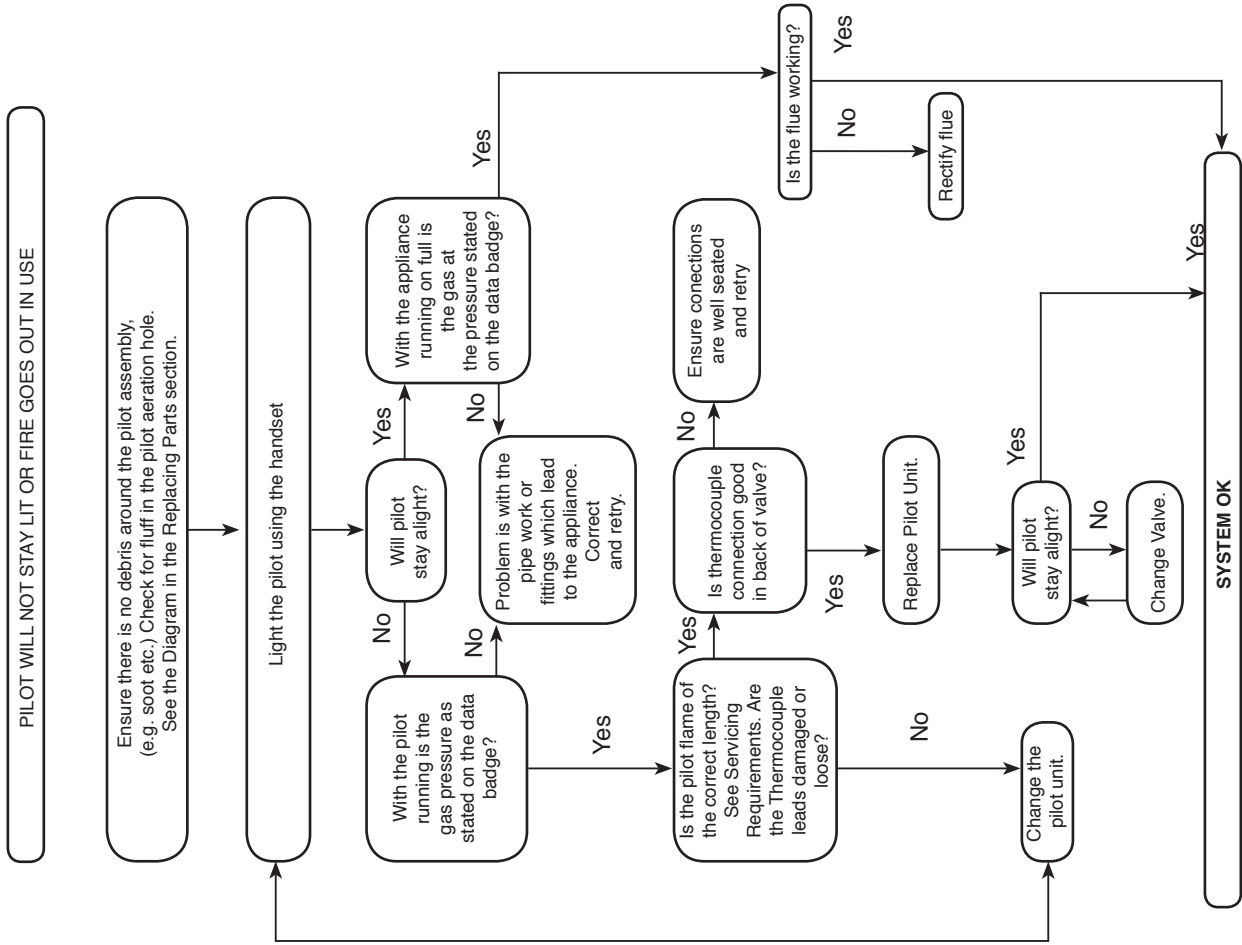
Advise the customer of any remedial work undertaken.

## IGNITION FUNCTIONAL CHECK 1

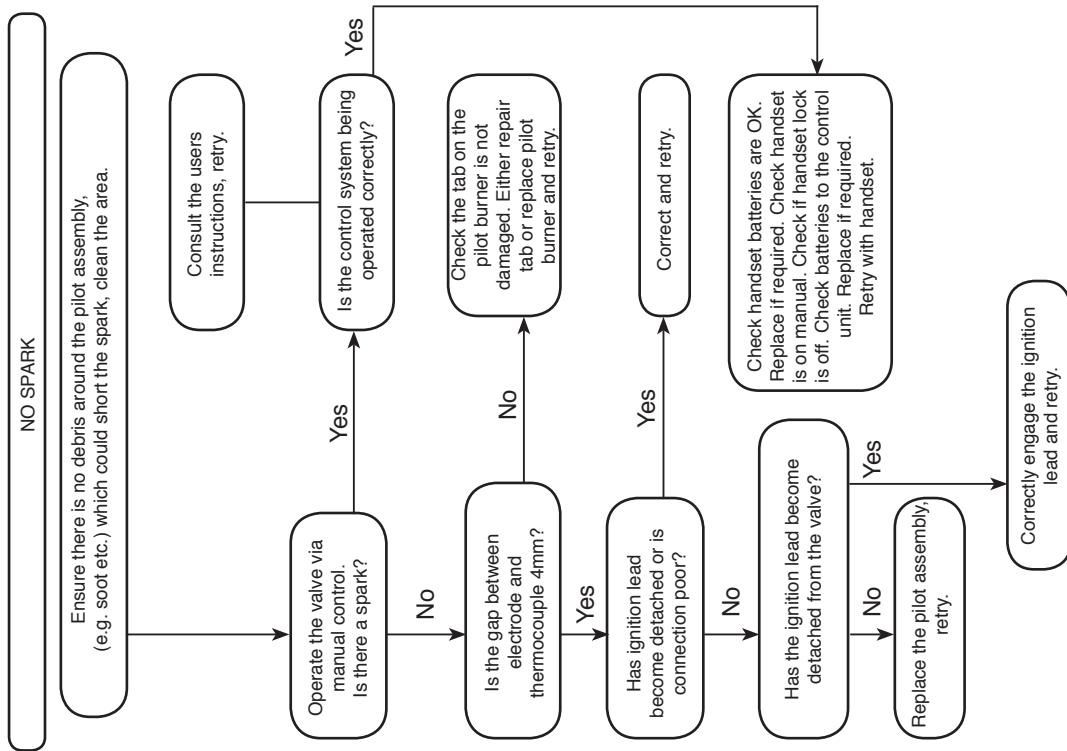


FAULT FINDING CHARTS

FLAME FAILURE FUNCTIONAL CHECK 3



IGNITION FUNCTIONAL CHECK 2



## ELECTRONIC CONTROL VALVE FAULT ANALYSIS

RED INDICATOR	MEANING
Permanently Lit	Valve tried to light but failed and in LOCKOUT E00
Flashing very fast	Valve is busy (will not accept any command)
Flashing once a second	Valve detects an error
Flashing once every 10 seconds	Indication of low battery power in valve
Flashing twice every 10 seconds (handset only)	Indication of low battery power in handset and valve
Permanently off	Valve in standby or in a stable operation
On momentarily after power up	Valve doing a self test
Appears after pressing start	Indicates time to release pressing the start button

If the valve indicates an error:

Allow the appliance to cool (if hot).

Check the battery status and replace with new if in any doubt.

Reset the error by first pressing the power button (with the appliance cool).

Press once again to start the fire.

If the error repeats refer to the error code table below.

Error Code	Meaning
E00	Valve Locked due to failed ignition.
E01	Indicates that possibly the content of CO is too high in ambient atmosphere.
E02	Ambient temperature around Gas valve in the fire too hot (exceeded 72°C).
E03	Thermocouple connection to valve issue. Incorrect reading from thermocouple.
E04	Flame detected on pilot after valve has shutdown.
E05	Flame detected on pilot before valve has started.
E06 & 07	Occurs when supply voltage is too low to operate the valve.
E24	Occurs when thermocouple does not reach its final temperature within 1 minute.

## SERVICING

All main components can be replaced without removing the appliance from its installation.

**IT IS ESSENTIAL THAT THE GAS SUPPLY TO THE APPLIANCE IS TURNED OFF AT THE ISOLATION DEVICE BEFORE PROCEEDING FURTHER.**

### Removal of Flue:

If, for any reason, the flue has to be removed from the appliance, the seal must be replaced in the inner spigot.

## SERVICING AND SUPPORT



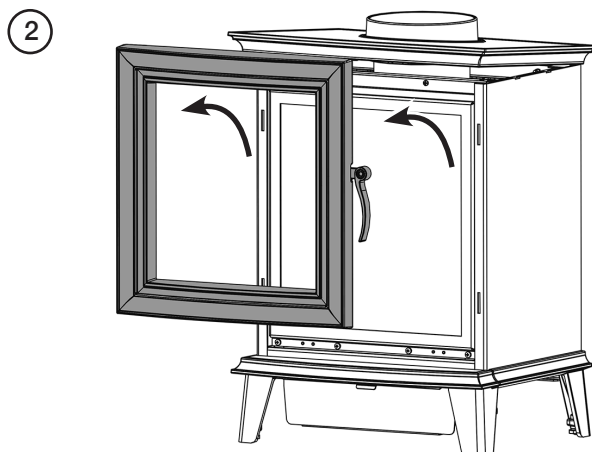
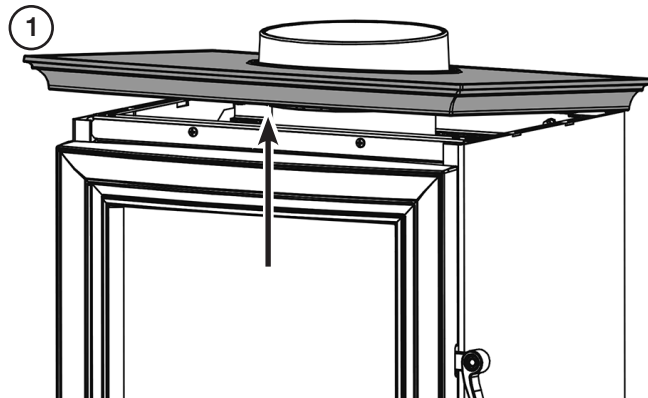
### Servicing and Support

To keep your appliance looking and performing at its best, it must be serviced annually. This service must be undertaken by a suitably qualified individual and your retailer can organise this for you. Alternatively, Gazco offer a manufacturers premium service with our friendly team of qualified engineers which can be booked at [www.gazco.com/support](http://www.gazco.com/support).

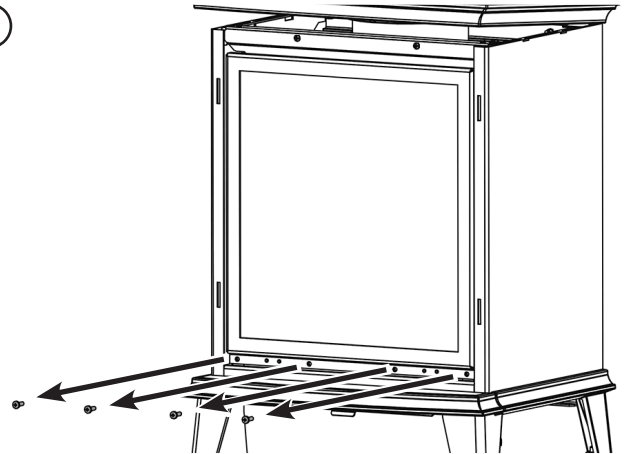
## REMOVING THE GLASS DOOR



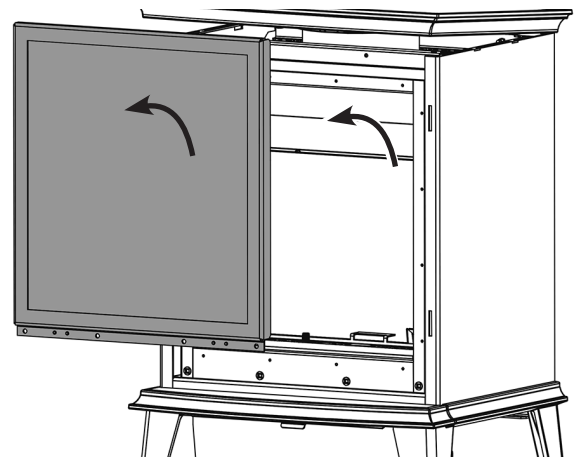
**IMPORTANT: THE OUTER PANNELLING IS MADE FROM CAST IRON. USE CAUTION WHEN INSTALLING, REMOVING AND STORING AS THE COMPONENTS ARE HEAVY AND SHOULD BE HANDLED CAREFULLY.**



3



4



Replace ALL of the glass frame securing screws ensuring that a screw is present in all fixing slots.

**NEVER OPERATE THE APPLIANCE WHEN THE DOOR IS REMOVED, OR THE GLASS IS BROKEN.**



**UNDER NO CIRCUMSTANCES SHOULD THE APPLIANCE BE USED IF ANY OF THE GLASS FRAME RETAINING SCREWS ARE LOOSE OR MISSING.**

## APPLIANCE BATTERY

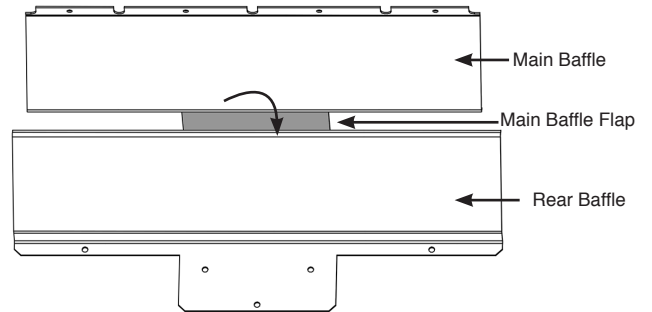
It is not necessary to remove the appliance battery to service the appliance, however the Power Switch on the Control Box must be switched to the OFF ( o ) position.

The Power Switch is located on the Control Box at the bottom of the appliance behind the vanity cover.

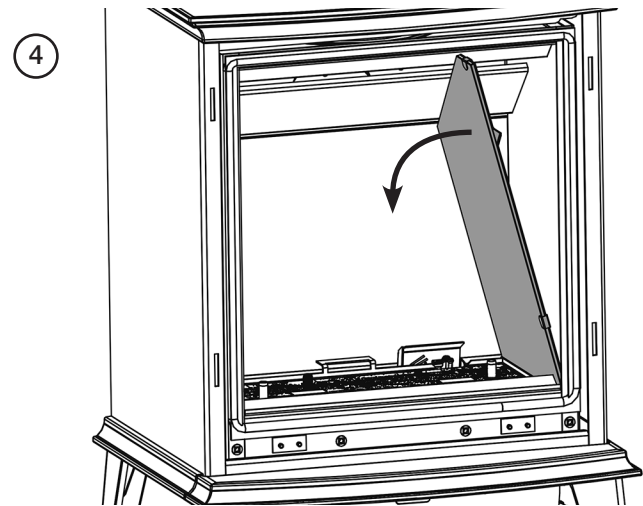
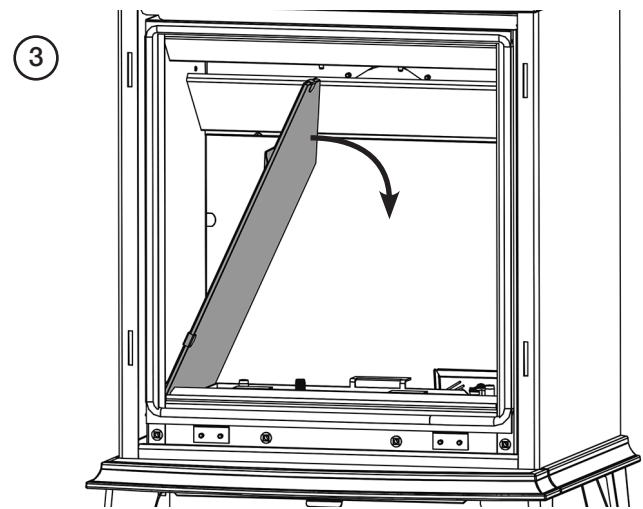
**Slide the Power Switch on the Control Box to the OFF ( o ) position before servicing the appliance.**



Note: when replacing the Main baffle ensure that the Main Baffle flap rests on the Rear Baffle.



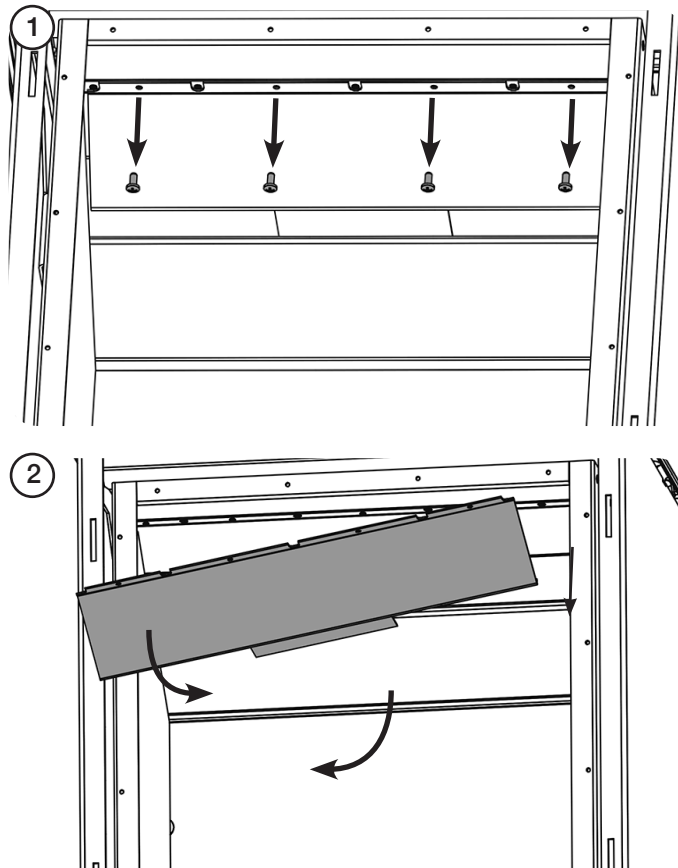
## LINERS

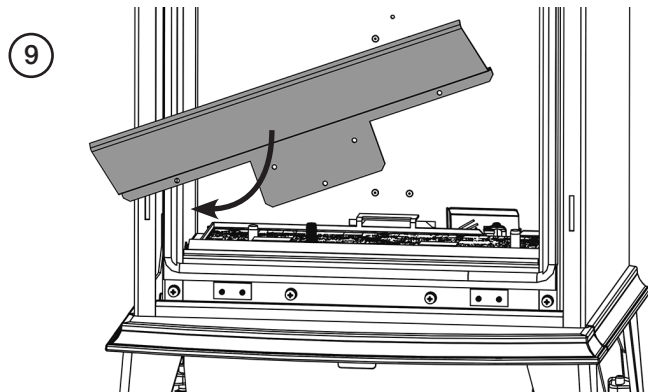
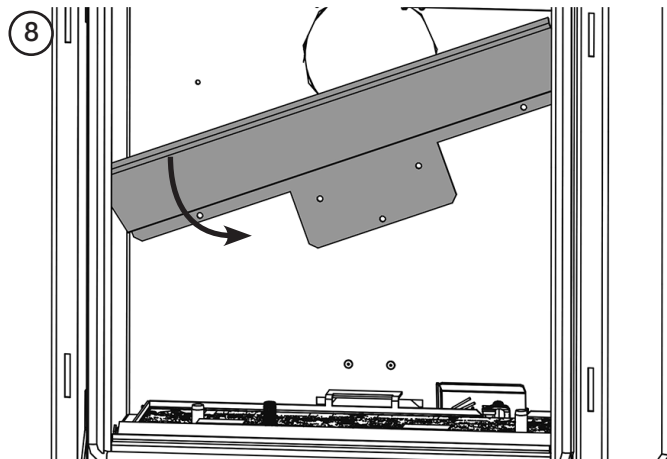
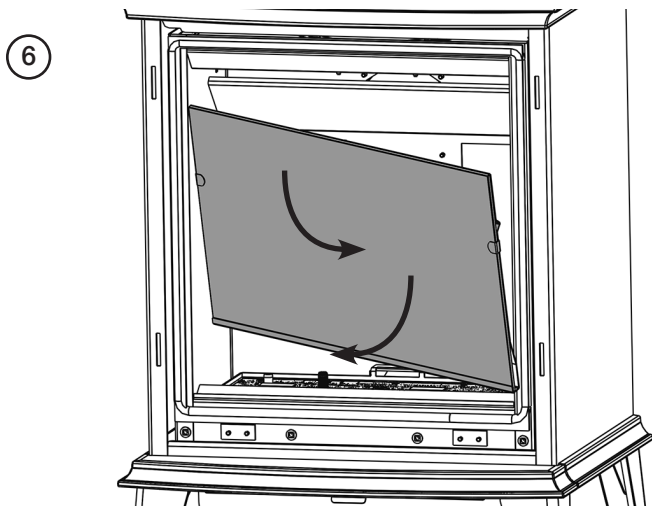
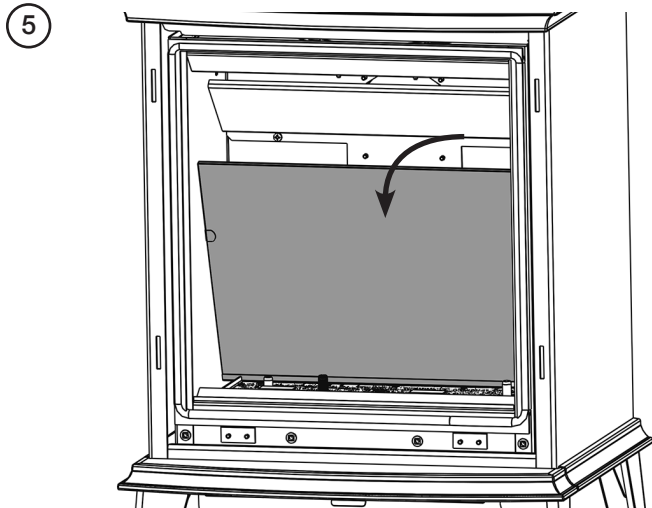


## BAFFLE & LINERS

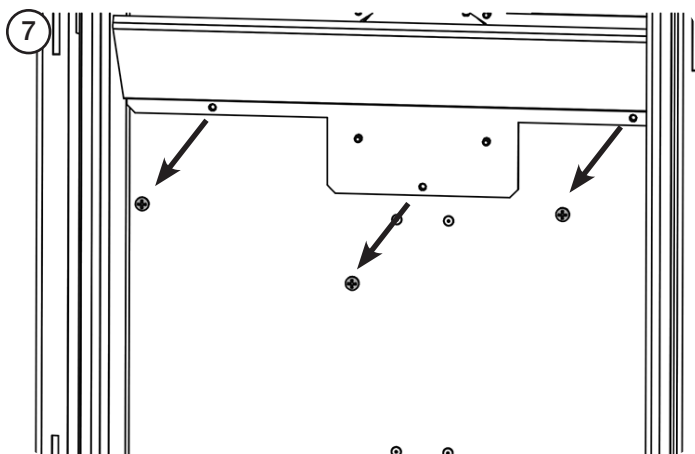
The baffle must be removed before the liners can be taken out of the appliance.

### UPPER BAFFLE

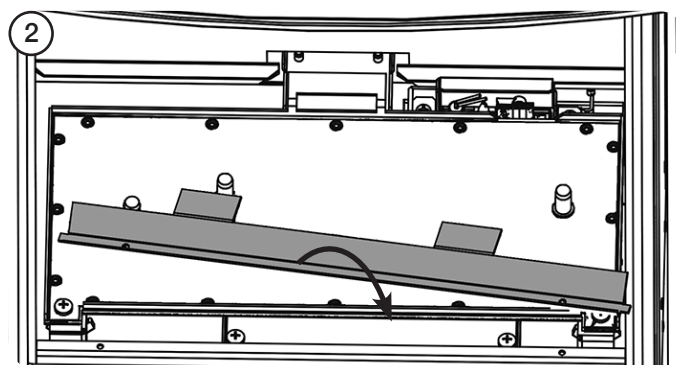
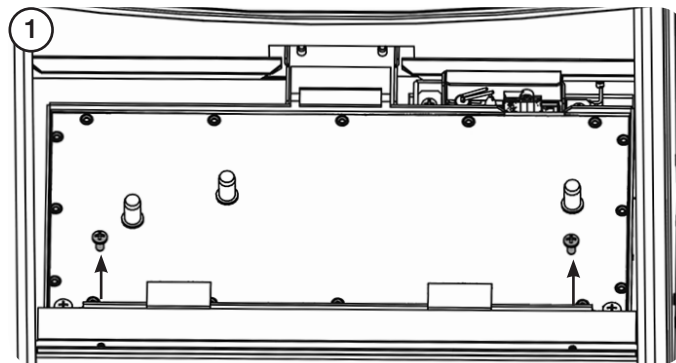


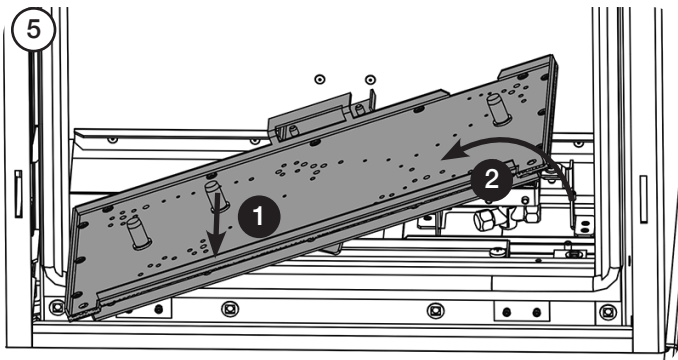
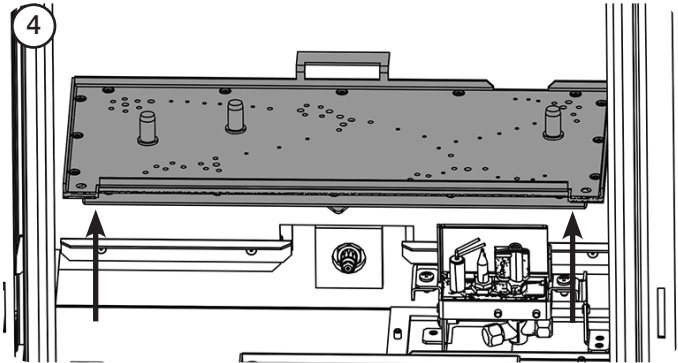
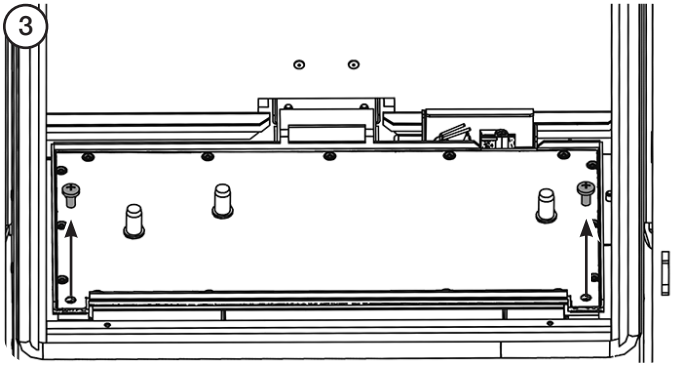


LOWER BAFFLE



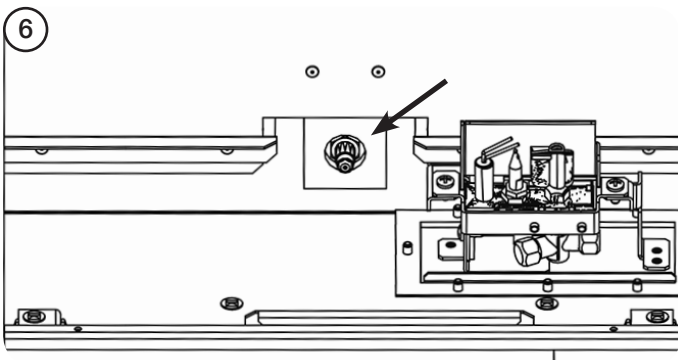
MAIN BURNER





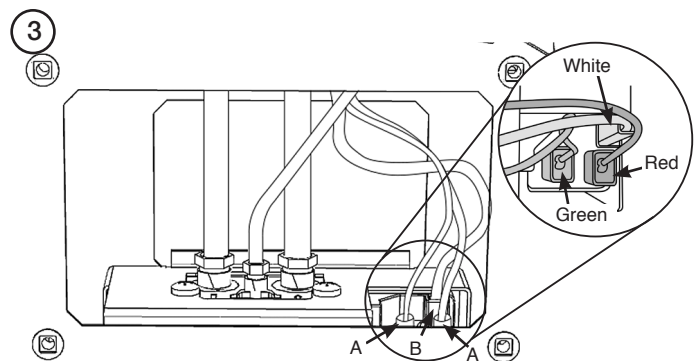
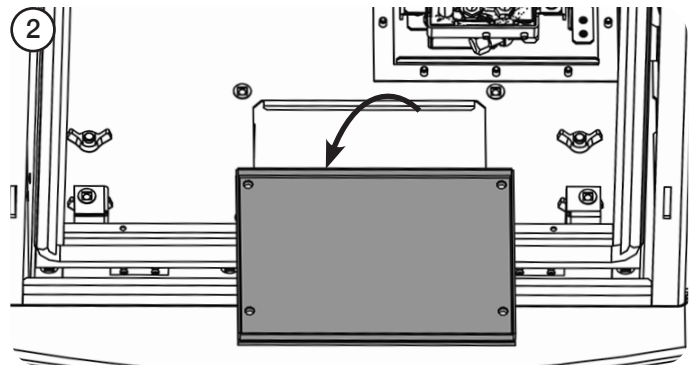
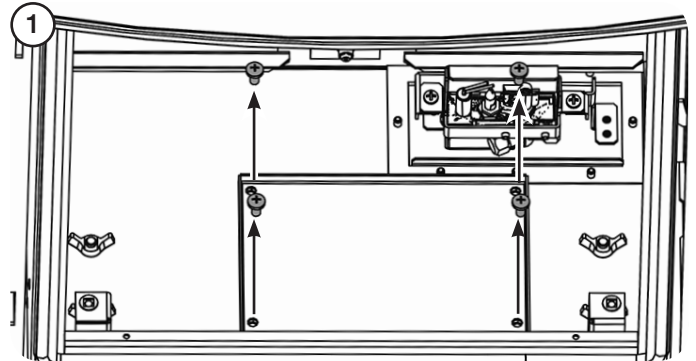
Replace in reverse order.

**!** **IMPORTANT: ENSURE THE BURNER ENGAGES WITH THE INJECTOR AT THE BASE OF THE FIREBOX.**

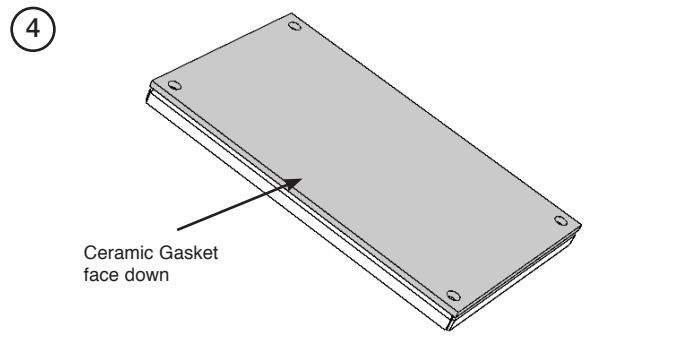


## CONTROL ASSEMBLY & SERVICE HATCH

**i** It is not necessary to remove the complete control assembly to service or replace parts of this appliance. The following sections will detail how to individually remove and replace each element.



**i** Reposition the service hatch and tighten the 4 screws.



## PILOT UNIT



**IMPORTANT: UNDER THE TERMS OF THE EXTENDED WARRANTY IT WILL BE COMPULSORY TO CHANGE THE COMPLETE PILOT UNIT ON THIS APPLIANCE IN YEARS 2 AND 4.**

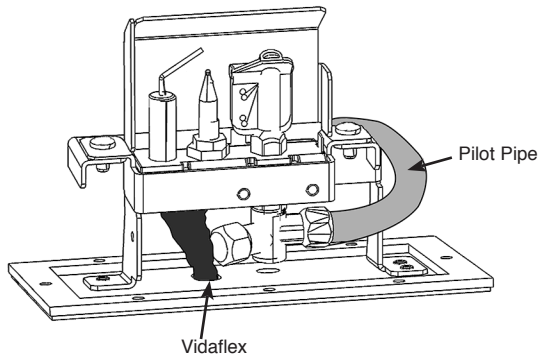
Note: The pilot unit on the appliance is a non serviceable unit due to the complex nature of its manufacture.

Replacement of the complete unit must be carried out when one of the following items becomes faulty:

- Pilot injector
- Ignition electrode
- Thermocouple leads
- Ignition Lead

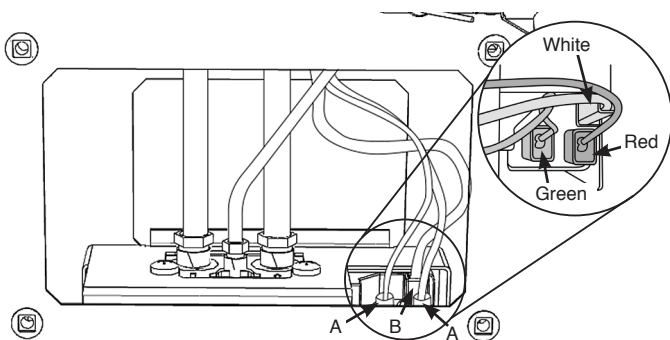
Remove the Main Burner and service hatch.

Undo the pilot pipe from the pilot unit



Unplug the red and green thermocouple connections (A) and the white ignition lead (B) from the gas valve.

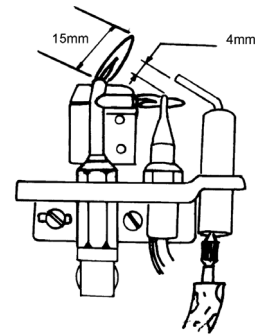
NOTE: Ensure the correct orientation when replacing.



Gently withdraw the leads with Vidaflex through the base of the firebox.

Note: Ensure that the Vidaflex is replaced when refitting the new pilot unit.

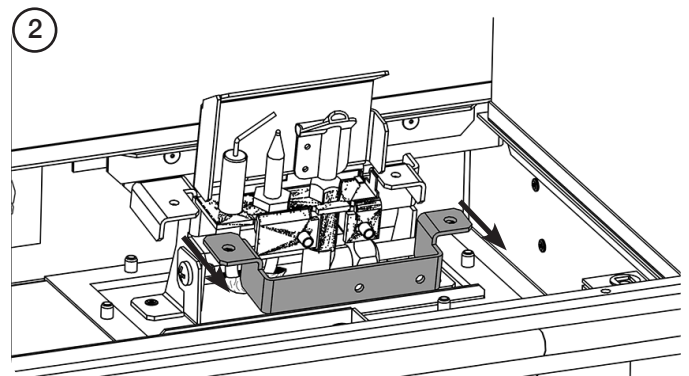
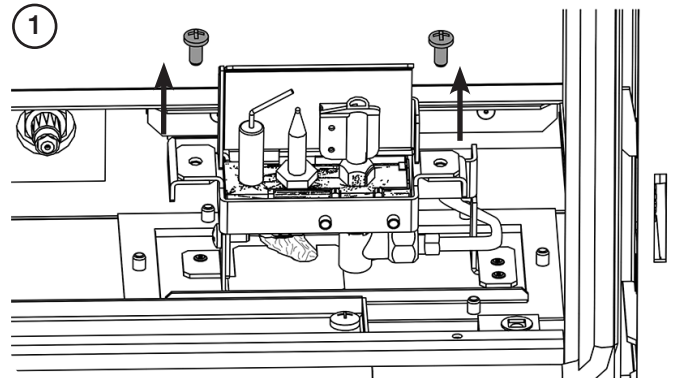
Replace with a new pilot assembly and check the spark gap.



NOTE: Ensure the correct orientation when replacing.

After reassembly check for gas soundness and carry out a functional check.

## PILOT BURNER BRACKET



## IGNITION LEAD

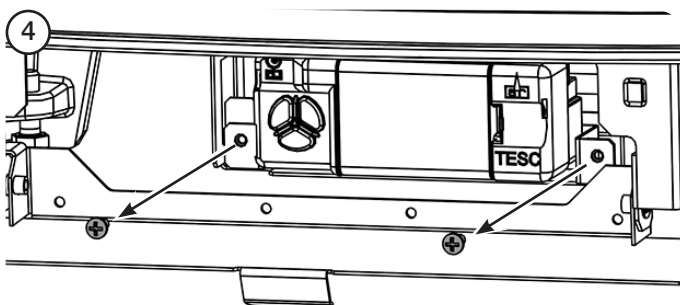
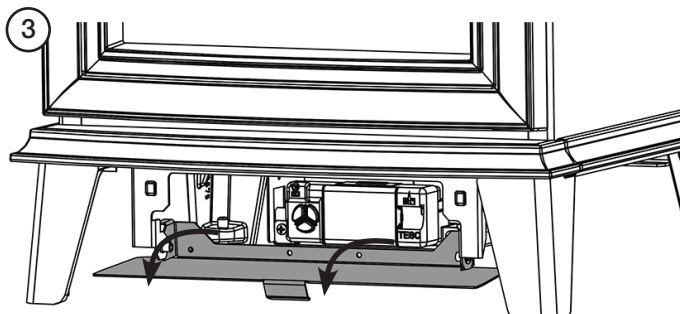
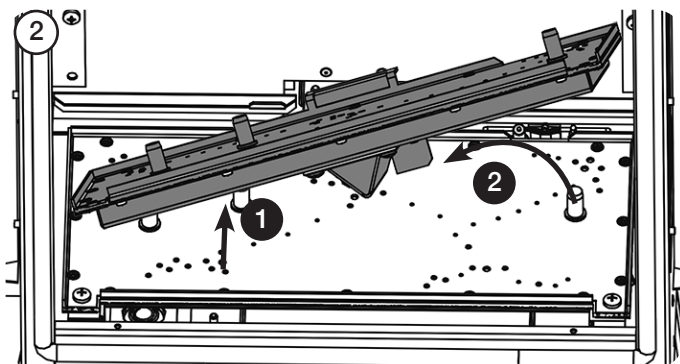
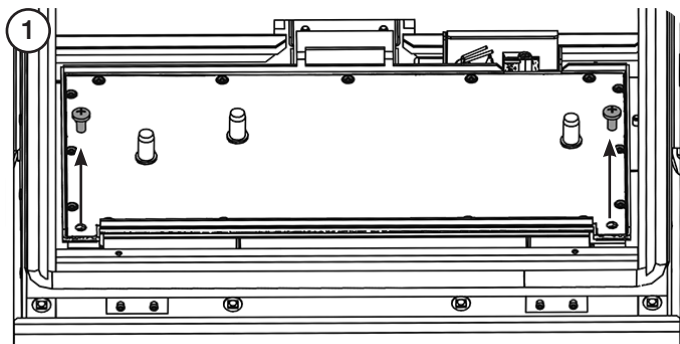
The Ignition Lead used on this appliance can not be replaced individually. If a new lead is required it will be necessary to change the Pilot Unit.



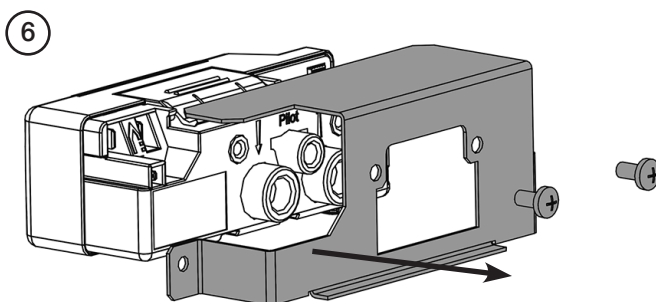
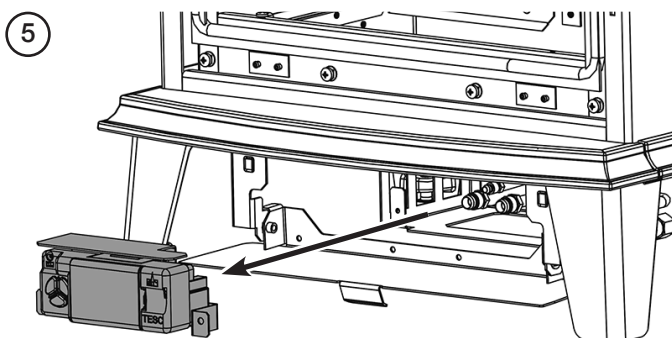
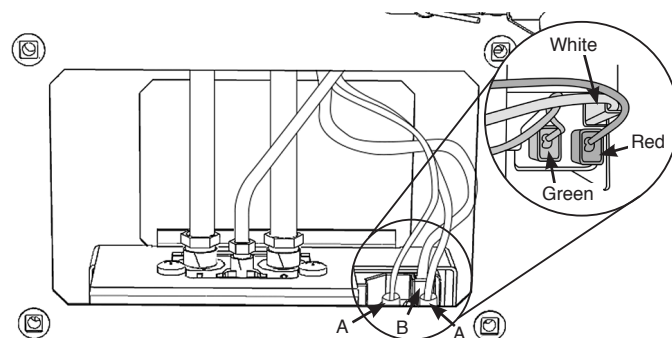
## GAS VALVE



**IMPORTANT: TURN OFF THE GAS SUPPLY AT THE ISOLATION DEVICE.**



Unplug the red and green thermocouple connections (A) and the white ignition lead (B) from the gas valve.  
NOTE: Ensure the correct orientation when replacing.



Replace in reverse order.  
Check all joints for gas leaks and check operation of the thermocouple and ignition lead.

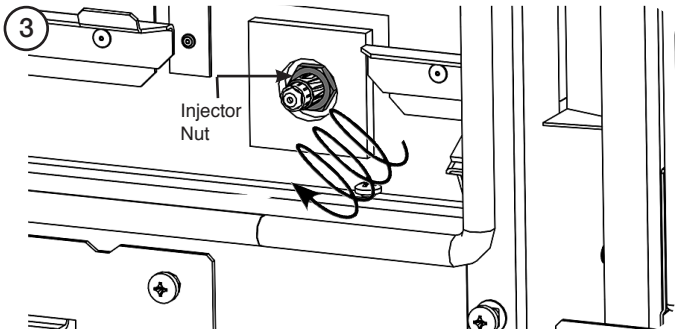
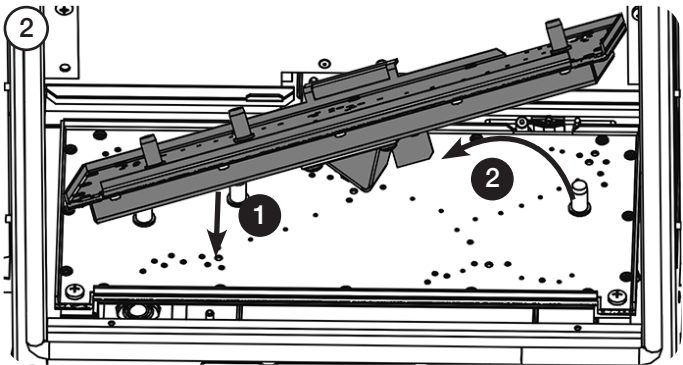
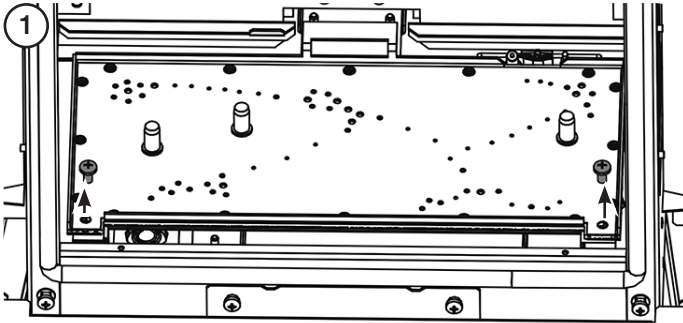
## MAGNETIC SAFETY VALVE

The Magnetic Safety Valve used on this appliance is a non serviceable part of the Control Valve and will require complete replacement.

## MAIN INJECTOR



**IMPORTANT: TURN OFF THE GAS SUPPLY AT THE ISOLATION DEVICE.**



Extract the injector with the feed pipe from beneath the appliance.

Holding the injector with a spanner:

- Undo the feed pipe. **Note the orientation of the Injector.**
- Re-assemble in reverse order.

Turn on the gas supply and check for leaks.

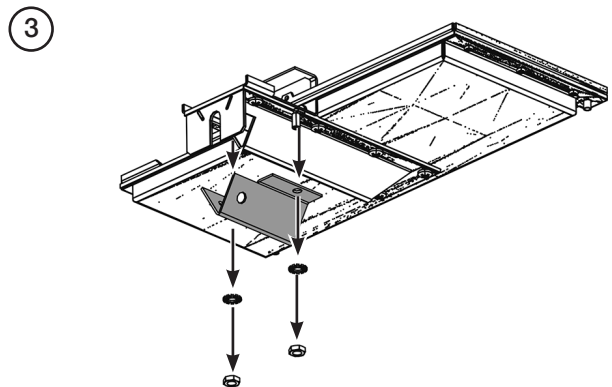
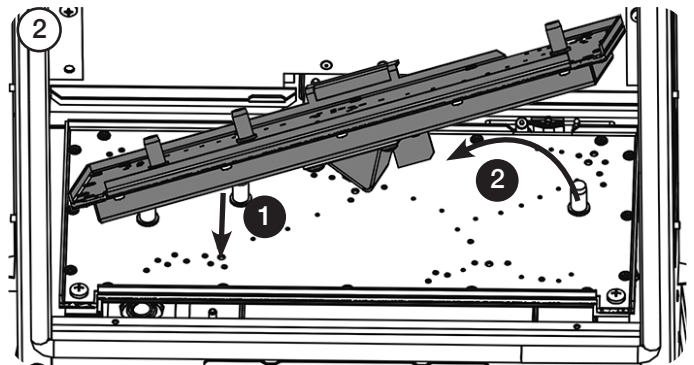
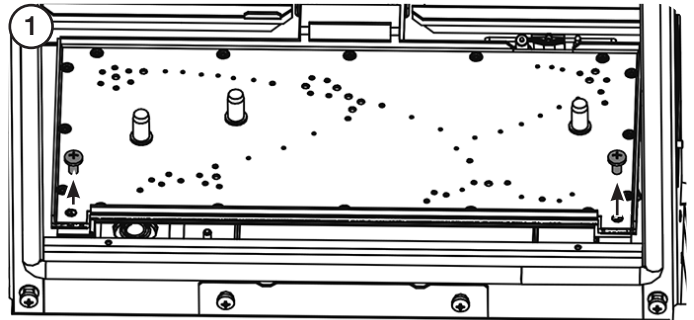
## PRIMARY AERATION PLATE



**NOTE: Not all models have aeration plates. Please refer to the Technical Specification.**



**IMPORTANT: TURN OFF THE GAS SUPPLY AT THE ISOLATION DEVICE.**



Replace with the correct size plate and secure the 2 nuts. Ensure that the lower edge of the plate is located over the venturi flange.

## CHANGING BETWEEN GAS TYPES

A kit of parts is available for this - Contact your Gazco retailer for further information.

It will be necessary to replace the following components:

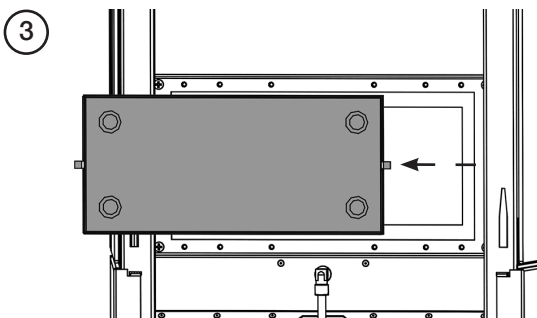
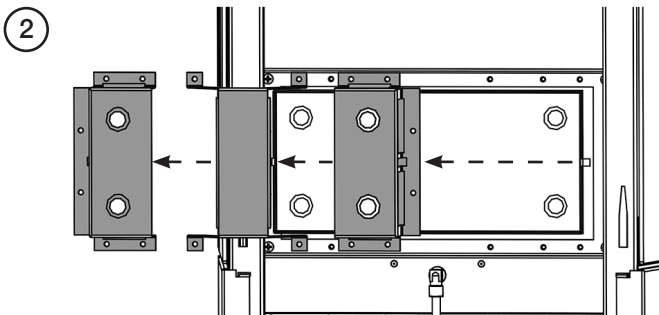
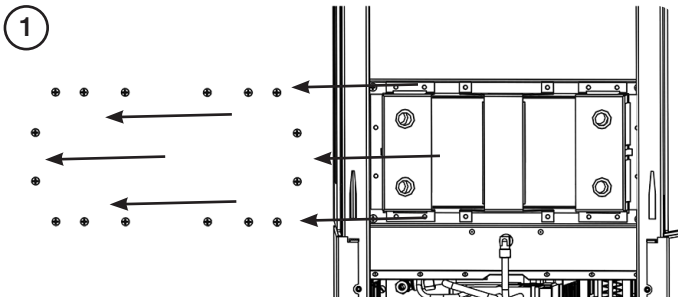
- Top Baffle
- Burner
- Injector
- Pilot Injector
- Gas Valve

Always quote the Model number and Serial number when ordering any spare parts.

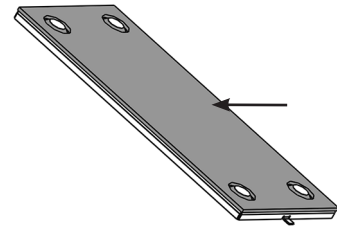
## EXPLOSION RELIEF GASKET



**IMPORTANT:** If it is required to access the rear explosion relief for servicing the appliance must first be removed from the wall.

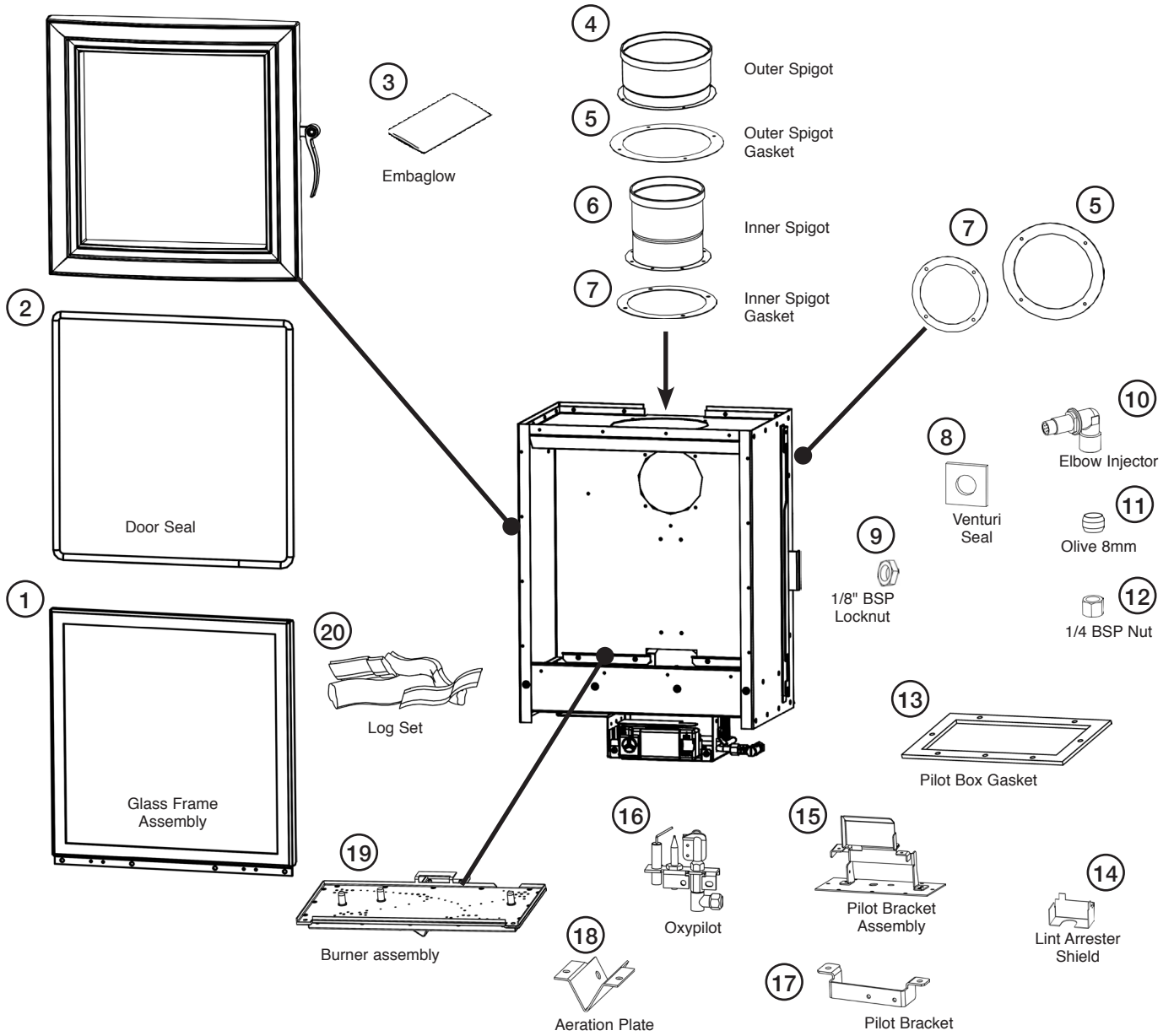


④



Ensure when replacing that the springs are located into the recess.

## SPARES LIST - MAIN ASSEMBLY

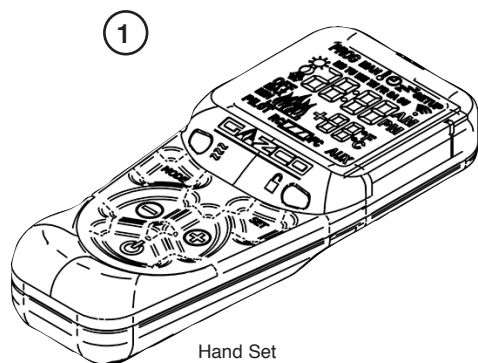


GAS TYPE	1	2	3	4	5	6	7	8	9	10
LPG	GZ13410	FA0725	G38471	MEC0232	CE0211	MEC0275	CE0210	FA0171	FA0241	IN0062
Nat. Gas										IN0064

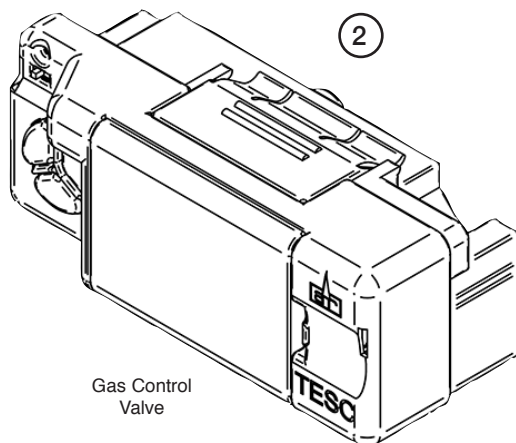
GAS TYPE	11	12	13	14	15	16	17	18	19	20
LPG						PI0092		N/A	GZ14286	
Nat. Gas	FA0011	FA0029	CE2083	PI0056	G316075	PI0090	GZ15695	GZ11271	GZ13225	CE1755

**i** Due to continual technical improvements please check online or with your Gazco retailer for the most up to date parts lists.  
 Only use Genuine Gazco spares when servicing your appliance.  
 All of our essential spare parts and consumable items are available to purchase from our webshop at [www.gazcospares.com](http://www.gazcospares.com).

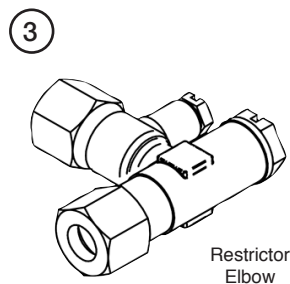
SPARES LIST - CONTROL ASSEMBLY



Hand Set




Gas Control Valve



Restrictor Elbow

No.	PRODUCT CODE
1	EL0807
2	GC0183K
3	GC0095

 Due to continual technical improvements please check online or with your Gazco retailer for the most up to date parts lists.  
 Only use Genuine Gazco spares when servicing your appliance.  
 All of our essential spare parts and consumable items are available to purchase from our webshop at [www.gazcospares.com](http://www.gazcospares.com).

## PRODUCT MATERIAL INFORMATION

The following substances, preparations or components should be disposed of or recovered separately from other WEEE in compliance with Article 4 of EU Council Directive 75/442/EEC.

<b>Metal</b>	Steel	Can be taken to a local recycling centre for reuse to reduce waste going to landfill.
	Cast iron	
<b>Glass</b>		Can be taken to a local recycling centre for reuse to reduce waste going to landfill.
<b>Vermiculite linings</b>		Non hazardous material. Vermiculite can be crushed up and used for plant bedding and ash used for composting or disposed of at a local recycling centre for reuse to reduce waste going to landfill.
<b>Rope seals/ Coal Fuel Effects/ Brick Effect, Ledgestone and Black Reed Liners</b>		If the product contains any of the following: Rope seals, Coal Fuel Effects, Black Reed Brick Effect or Ledgestone Linings panels these items are made from Refractory Ceramic Fibre (RCF), a material which is commonly used for this application. Protective clothing is not required when handling these articles, but it is recommended to follow normal hygiene rules of not smoking, eating or drinking in the work area and always wash hands before eating or drinking. When servicing the appliance it is recommended that the replaced items are not broken up, but are sealed within heavy duty polythene bags and labelled as RCF waste. RCF waste is classed as stable, non-reactive hazardous waste and may be disposed of at a licensed landfill site.
<b>Log Fuel Effects</b>		Log Fuel effects are not considered hazardous to health, but are non-recyclable and must be disposed of in accordance to the rules in force.
<b>Electrical components</b>	(Fan kits etc if applicable)	Dispose of at a local recycling centre in accordance with the WEEE directive.

## INFORMATION REQUIREMENT FOR GASEOUS FUEL LOCAL SPACE HEATER

Model	Chesterfield BF NG	Chesterfield BF LPG	Sheraton BF NG	Sheraton BF LPG
<b>Fuel</b>				
Space Heating Emissions (NOx) - mg / kWh <sub>input</sub> (GCV)	130	130	130	130

<b>Heat Output</b>	Nominal Heat Output - $P_{nom}$	3.8kW	4.0kW	3.8kW	4.0kW
	Minimum Heat Output (indicative) - $P_{min}$	1.8kW	1.8kW	1.8kW	1.8kW

<b>Auxiliary Electricity Consumption</b>	At Nominal Heat Output - $e_{lmax}$	N/A	N/A	N/A	N/A
	At Minimum Heat Output - $e_{lmin}$	N/A	N/A	N/A	N/A
	In Standby Mode - $e_{sb}$	N/A	N/A	N/A	N/A

<b>Useful Efficiency</b>	Useful Efficiency at nominal heat output - $\eta_{th,nom}$	90.6%	90.6%	90.6%	90.6%
	Useful Efficiency at minimum heat output (indicative) - $\eta_{th,min}$	80.2%	80.2%	80.2%	80.2%

<b>Pilot Flame Power requirement</b>	Permanent Pilot Flame Power requirement (if applicable) - $P_{pilot}$	N/A	N/A	N/A	N/A
--------------------------------------	---	-----	-----	-----	-----

Type of heat output/room temperature control				
Electronic room temperature control + day timer	Yes	Yes	Yes	Yes

Other control options (multiple selections possible)				
Room temperature control, with presence detection	No	No	No	No
Room temperature control, with open window detection	No	No	No	No
With distance control option	No	No	No	No
With adaptive start control	No	No	No	No
With working time limitation	No	No	No	No
With black bulb sensor	No	No	No	No

<b>Energy Efficiency Index</b>	87.0%	87.0%	87.0%	87.0%
<b>Energy Efficiency Class</b>	<b>B</b>	<b>B</b>	<b>B</b>	<b>B</b>

<b>Contact:</b>	Gazco Ltd, Osprey Road, Sowton Industrial Estate, Exeter, EX2 7JG
-----------------	---

## SERVICE RECORDS

### 1ST SERVICE

Date of Service.....  
Next Service Due .....  
Signed .....  
Retailer's Stamp/GasSafe Registration Number

### 3RD SERVICE

Date of Service.....  
Next Service Due .....  
Signed .....  
Retailer's Stamp/GasSafe Registration Number

### 5TH SERVICE

Date of Service.....  
Next Service Due .....  
Signed .....  
Retailer's Stamp/GasSafe Registration Number

### 7TH SERVICE

Date of Service.....  
Next Service Due .....  
Signed .....  
Retailer's Stamp/GasSafe Registration Number

### 9TH SERVICE

Date of Service.....  
Next Service Due .....  
Signed .....  
Retailer's Stamp/GasSafe Registration Number

### 2ND SERVICE

Date of Service.....  
Next Service Due .....  
Signed .....  
Retailer's Stamp/GasSafe Registration Number

### 4TH SERVICE

Date of Service.....  
Next Service Due .....  
Signed .....  
Retailer's Stamp/GasSafe Registration Number

### 6TH SERVICE

Date of Service.....  
Next Service Due .....  
Signed .....  
Retailer's Stamp/GasSafe Registration Number

### 8TH SERVICE

Date of Service.....  
Next Due .....  
Signed .....  
Retailer's Stamp/Gas Safe Registration Number

### 10TH SERVICE

Date of Service.....  
Next Service Due .....  
Signed .....  
Retailer's Stamp/GasSafe Registration Number









**FOR ENQUIRIES IN THE U.K (EXCLUDING NI):**

**Gazco Ltd, Osprey Road, Sowton Industrial Estate, Exeter, Devon, England EX2 7JG**

**Tel: (01392) 261900 E-mail: [info@gazco.com](mailto:info@gazco.com)**

**FOR ENQUIRIES IN EUROPE (INCLUDING NI):**

**Stovax Heating Group (NI) Ltd (Comp reg NI675194), 40 Linenhall Street, Belfast, BT2 8BA**

**DX 400 NR Belfast Tel: +44 (0)1392 261990 E-mail: [northernireland@gazco.com](mailto:northernireland@gazco.com)**

E & O E

