



# Chesterfield & Sheraton 5

Conventional Flue Log Effect Stove Range  
with Thermostatic Remote Control



## Installation Instructions

### IMPORTANT

THE OUTER CASING, FRONT AND GLASS PANEL BECOME EXTREMELY HOT DURING OPERATION AND WILL RESULT IN SERIOUS INJURY AND BURNS IF TOUCHED. IT IS THEREFORE RECOMMENDED THAT A FIREGUARD COMPLYING WITH BS 8423 (LATEST EDITION) IS USED IN THE PRESENCE OF YOUNG CHILDREN, THE ELDERLY OR INFIRM.

This product contains a Heat resistant glass panel. This panel should be checked during Installation and at each servicing interval. If any damage is observed on the front face of the glass panel (scratches, scores, cracks or other surface defects), the glass panel must be replaced and the appliance must not be used until a replacement is installed. Under no circumstances should the appliance be used if any damage is observed, the glass panel is removed or broken.

It is essential that ALL of the screws that retain the glass frame are replaced and tightened correctly. Under no circumstances should the appliance be operated if any of these screws are loose or missing.

These Instructions must be left with the appliance for future reference and for consultation when servicing the appliance. Please make the customer aware of the correct operation of the appliance before leaving these instructions with them.

The commissioning sheet found on Page 3 of this Instruction manual must be completed by the Installer prior to leaving the premises.

# CONTENTS

## CHESTERFIELD & SHERATON 5 FREESTANDING - CONVENTIONAL FLUE

Covering the following models:

	CHESTERFIELD 5	SHERATON 5
Nat Gas	505-003	505-014
LPG	505-402	505-428

Appliance Commissioning Checklist .....3

User Instructions .....4

Installation Instructions .....14

Site Requirements ..... 14

Technical Specifications ..... 17

Installation ..... 18

Commissioning .....27

Servicing Requirements .....28

Fault Finding ..... 28

How to replace parts ..... 31

Spare parts list ..... 40

Service Records ..... 44

Information Requirement - Gas Heaters ..... 43

### WARNING



In the event of a gas escape or if you can smell gas, please take the following steps:

- Immediately turn off the gas supply at the meter/emergency control valve
- Extinguish all sources of ignition
- Do not smoke
- Do not operate any electrical light or power switches (On or Off)
- Ventilate the building(s) by opening doors and windows
- Ensure access to the premises can be made

Please report the incident immediately to the National Gas Emergency Service Call Centre on 0800 111 999 (England, Scotland and Wales) , 0800 002 001 (N. Ireland) or in the case of LPG, the gas supplier whose details can be found on the bulk storage vessel or cylinder.

The gas supply must not be used until remedial action has been taken to correct the defect and the installation has been recommissioned by a competent person.



It is a requirement of the Building Regulations 2010 that the installation of this appliance is notified to the Local Authority. It is the responsibility of the GasSafe registered installer to carry out this notification to the Local Authority via the GasSafe register Competent Persons Scheme in England and Wales (different rules apply in Scotland and Northern Ireland).

When the installation has been notified, GasSafe will send a Building Regulations Compliance Certificate to you containing details of the work completed. Please ensure that the person responsible for the installation of this appliance completes this notification and records it in the Appliance Commissioning Checklist on page 3.

**IT IS YOUR RESPONSIBILITY TO COMPLY WITH THE BUILDING REGULATIONS AND BE ABLE TO PRODUCE THIS CERTIFICATE SHOULD IT BE REQUIRED IN THE FUTURE.**

# APPLIANCE COMMISSIONING CHECKLIST

To assist us in any guarantee claim please complete the following information:-

## IMPORTANT NOTICE

Explain the operation of the appliance to the end user, hand the completed instructions to them for safe keeping, as the information will be required when making any guaranteed claims.

FLUE CHECK	PASS	FAIL
1. Flue Is correct for appliance		
2. Flue flow Test N/A		
3. Spillage Test N/A		
GAS CHECK		
1. Gas soundness & let by test		
2. Standing gas pressure	mb	
3. Appliance working pressure (on High Setting) Minimum Pressure Requirement: NG - 17.5mbar LPG - 34.5mbar NB All other gas appliances must be operating on full	mb	
4. Gas rate	m <sup>3</sup> /h	
5. Does Ventilation meet appliance requirements? N/A		
SAFETY CHECK		
1. Check soundness of the Thermocouple connections - including tightness and lead integrity		
2. Glass checked to ensure no damage, scratches, scores or cracks		
3. Glass frame secured correctly and all screws replaced		
BUILDING CONTROL NOTIFICATION		
1. Installer notified GasSafe/Local Authority of installation via Competent Persons Scheme?	YES	NO

## RETAILER AND INSTALLER INFORMATION

**Retailer** .....  
 .....  
 .....  
**Contact No.**.....  
**Date of Purchase** .....  
**Model No.** .....  
**Serial No.**.....  
**Gas Type** .....

**Installation Company**.....  
 .....  
 .....  
**Engineer**.....  
**Contact No.**.....  
**GasSafe Reg No.** .....  
**Date of Installation** .....

## GENERAL

Installation and servicing must only be carried out by a competent person whose name appears on the GasSafe register. To ensure the engineer is registered with GasSafe they should possess an ID Card carrying the following logo:



In all correspondence, please quote the appliance type and serial number, which can be found on the data badge located at the rear of the appliance between the carcass and firebox or on the Commissioning Checklist on Page 3.

**Do not** place curtains above the appliance: You must have 300mm clearance between the appliance and any curtains at either side.

The manufacturer considers the full outer casing of this appliance to be a working surface and it will become hot whilst in operation. A suitable guard is recommended to protect young children, the aged and the infirm.

No furnishings or other objects should be placed within 1 metre of the front of the appliance.

If a shelf is fitted, a distance of 225mm above the appliance is required.

Do not attempt to burn rubbish in this appliance.

This appliance must only be operated with the door secured firmly in position. If any cracks appear in the glass the appliance must not be used until the glass panel is replaced.

This product is guaranteed for 5 years from the date of installation, as set out in the terms and conditions of sale between Gazco and your local Gazco retailer. Please consult with your local Gazco retailer if you have any questions. In all correspondence always quote the Model Number and Serial Number.

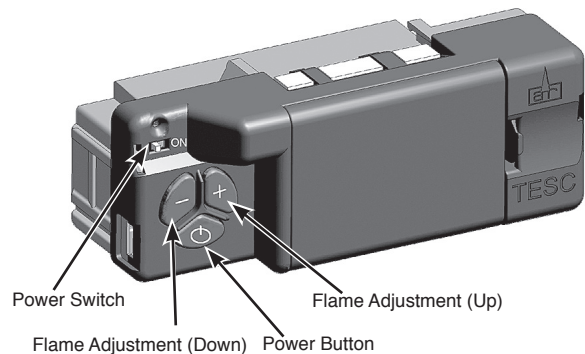
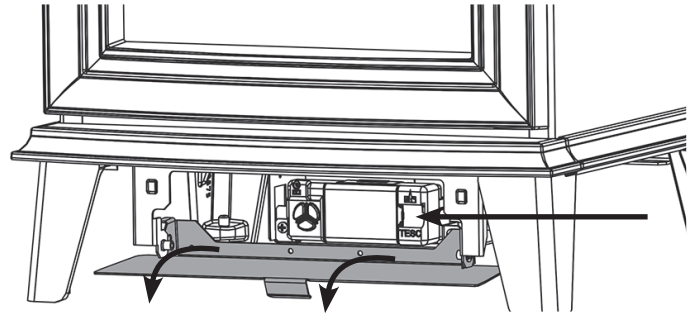
## OPERATING THE APPLIANCE

There are two ways of lighting the appliance:

Using the **Manual Controls** on the Control Box (located on the appliance).

By **Thermostatic Remote Control**.

### MANUAL OPERATION (CONTROL BOX)



To operate the appliance the Power Switch on the Control Box must be switched ON ( I ).

**i** **Note: The Power Switch does not need to be turned off each time the appliance is not in use. However, if the appliance is left unattended for long periods of time (e.g. vacation), it is recommended to place the Power Switch into the off position.**

### TURNING THE APPLIANCE ON:

Press and hold the Power Button for 1 second and release. The burner will light approximately 2 to 3 seconds later.

Use + and - buttons to adjust the flame height between Minimum and Maximum.

### TURNING THE APPLIANCE OFF

Press the power button to turn the appliance off.

**i** **IMPORTANT: YELLOW FLAMES TYPICALLY APPEAR WHEN THE APPLIANCE HAS REACHED NORMAL OPERATING TEMPERATURE. THIS CAN TAKE UP TO 30 MINUTES.**



**WARNING: IF THE APPLIANCE FAILS TO LIGHT OR BECOMES EXTINGUISHED IN USE, WAIT 3 MINUTES BEFORE ATTEMPTING TO RELIGHT.**

**THE APPLIANCE WILL TAKE 3 AUTOMATIC ATTEMPTS TO RESTART. DO NOT INTERRUPT THE VALVE DURING THIS PROCESS.**

## REMOTE CONTROL

To operate the appliance the Power Switch on the Control Box must be switched ON (1).



To activate the Remote Control it will be necessary to cradle the handset to unlock.

The green light will illuminate to show the handset is ready to use.

**IMPORTANT: Continue to cradle the handset throughout an operation to keep it unlocked.**

If the green light goes off during an operation it will be necessary to reposition the handset so the light comes back on and restart the operation.



## HANDSET FEATURES



The Icon at the bottom of the screen displays the battery condition of both the batteries in the handset and in the Control Box alternatively.

RC = Remote Control Handset  
FC = Fire Control (Control Box)



If the handset has been replaced or the fire has been serviced, see Installation Section to set up the handset.

## MANUAL OPERATION (REMOTE CONTROL)




To activate the Remote Control it will be necessary to cradle the handset to unlock.


The green light will illuminate to show the handset is ready to use.

**IMPORTANT: Continue to cradle the handset throughout an operation to keep it unlocked.**

If the green light goes off during an operation it will be necessary to reposition the handset so the light comes back on and restart the operation.

### TURNING THE APPLIANCE ON


Press the  Power Button until Pilot flashes on the display.

Release the  Power Button and the Flame symbol will appear on the display.

**If the button is held the command will be cancelled for safety reasons.**

Holding the handset to unlock, use + and - buttons to adjust the flame height between Minimum and Maximum.

### TURNING THE APPLIANCE OFF

Holding the handset to unlock, press the  power button to turn the appliance off.



**IMPORTANT: YELLOW FLAMES TYPICALLY APPEAR WHEN THE APPLIANCE HAS REACHED NORMAL OPERATING TEMPERATURE. THIS CAN TAKE UP TO 30 MINUTES.**



**WARNING: IF THE APPLIANCE FAILS TO LIGHT OR BECOMES EXTINGUISHED IN USE, WAIT 3 MINUTES BEFORE ATTEMPTING TO RELIGHT.**

**THE APPLIANCE WILL TAKE 3 AUTOMATIC ATTEMPTS TO RESTART. DO NOT INTERRUPT THE VALVE DURING THIS PROCESS.**

## SETTING TIMER MODE (IN MANUAL OPERATION)

Timer Mode will turn the appliance off after a set period of time has elapsed.

Timer Mode can be set before or during manual operation of the fire.



**Note: If Timer mode is activated and the fire is manually turned off, the timer will be cancelled. Changes to the Timer will reset to the default time on next use.**

**If the fire is off when the Timer mode is set then the timer will automatically start when the fire is turned on.**

Hold the handset to unlock and press and release the MODE button. The word MAN and the Zzz symbols flash at the top of the display.

Press and release the SET button. This will activate the Timer mode.

**The default time period is 1 hour, unless altered in Advanced Settings.**

Pressing the SET button again will show the remaining time. This can be altered by pressing the + or - buttons. The timer can be set between 1 minute and 24 hours.

After adjusting the time press SET again to confirm the time setting desired.

Once the countdown has reached zero the fire will turn off.

## THERMOSTATIC MODE

The handset contains a thermostatic sensor to control the operation of the appliance according to the temperature of the room.

There are 3 temperature options that can be set:

**Day Mode** - indicated by a Sun symbol on the display (default temperature 24°C)

**Night Mode** - indicated by a Moon symbol on the display (default temperature 18°C)

**Frost Protection** - indicated by a Snowflake symbol on the display (default temperature 5°C)

## PROGRAMMING THE MODES

Holding the handset to unlock, press and hold the SET button until a beep is heard to indicate the command has been received.

Release the SET button. PROG and a flashing thermometer symbol will be displayed at the top of the display.

Press and release the SET button to enter Day Mode. The current temperature setting and mode will be displayed- for example the Sun symbol on the left shows it is in Day Mode and the default temperature is 24°C.

To change the temperature press + or - whilst the set temperature is displayed to alter the setting.

Press and release the SET button to confirm and to scroll to the Night Mode.

To change the temperature press + or - whilst the set temperature is displayed to alter the setting.

Press and release the SET button to confirm and to scroll to Frost Protection mode.

To change the temperature press + or - whilst the set temperature is displayed to alter the setting.

When finished press the SET button again and the new settings will be accepted. The display will return to the time of day screen.

## CHOOSING A MODE

**When choosing a mode during operation the temperature can be temporarily changed, however these settings will reset to the previously set programmed settings when the fire is turned off.**

Holding the handset to unlock, press and release the MODE button several times until a thermometer symbol flashes at the top of the display.

Press the SET button to enter the Thermostatic mode.

Press the Set button again to see the current temperature setting and mode - for example the a Sun symbol on the left shows it is Day Mode and the default temperature is 24°C.

With the temperature displayed, press + or - to alter the setting.

Press the MODE button repeatedly to scroll through the settings and to select Night mode or Frost Protection.

**The handset must be left in the chosen mode for it to operate.**

When finished press SET again and the new setting will be accepted. The display will return to the time of day screen.

If at any time the power button is operated during Thermostatic Mode the control will cancel any thermostat operation and return the handset to Manual Mode.

## SETTING TIMER MODE (IN THERMOSTATIC OPERATION)

Timer Mode will turn the appliance off after a set period of time has elapsed.

Timer Mode can be set before or during thermostatic operation of the fire.

Hold the handset to unlock, press and release the MODE button until the word MAN and the Zzz symbols are flashing at the top of the display.

Press and release the SET button. This will activate the Timer mode.

**The default time period is 1 hour, unless altered in Advanced Settings.**

Pressing the SET button again will show the remaining Time. This can be altered by pressing the + or - buttons. The timer can be set between 1 minute and 24 hours.

After adjusting the time press SET again to confirm the time setting desired.



Once the countdown has reached zero the fire will turn off.

**i** **Note: If Timer mode is activated and the fire is manually turned off, the timer will be cancelled. Changes to the Timer will reset to the default time on next use.**

**If the fire is off when the Timer mode is set then the timer will automatically start when the fire is turned on.**

## SETTING THE CLOCK

To adjust the time on the handset after initial set up:

Holding the remote to keep the green light on and the handset unlocked:

Press and hold the SET button until a beep is heard to indicate the command has been received.

Release the SET button. PROG will be displayed at the top left of the display.

Press the MODE button twice until SET UP flashes in the top right of the display.

Press and release the SET button. The handset will display an H:24.



24 denotes a 24 hour clock and 12 denotes a 12 hour clock.

Press the + or - button on the handset to toggle between the two settings.  
Press the SET button to confirm and progress to setting the day of the week.

## SETTING THE DAY OF THE WEEK

Press and release the + and - buttons until the correct day of the week is shown on the display.



**Mo** = Monday, **Tu** = Tuesday, **We** = Wednesday, **Th** = Thursday, **Fr** = Friday, **Sa** = Saturday and **Su** = Sunday.

Press SET to confirm the day of the week and progress to setting the time.

## SETTING THE HOUR

Press and release the + or - button to change the hour to the correct hour. Press SET to confirm and progress to setting the minute.



## SETTING THE MINUTES

Repeat the process to change the minutes.

## SETTING THE TEMPERATURE DISPLAY (CELSIUS OR FAHRENHEIT)

Press and release the + or - button to toggle between C and F. When the display shows the desired symbol, press and release the SET button to store.



To enter Advanced Settings, see below. To finish, place the handset down and wait until the home screen is displayed and the unlock light goes off.



**ALL THE NECESSARY SETTINGS REQUIRED HAVE NOW BEEN COMPLETED. ANY FURTHER FUNCTIONS ON THIS HANDSET ARE FOR FACTORY SETTING AND NOT TO BE USED.**

The Handset is now ready to operate the appliance.

## ADVANCED MENU SETTINGS

It is possible to change additional preset settings of the control features.

Access the Advanced Menu Settings.

Press and release the SET button to enter the Advanced Settings Menu.

**Advanced Settings are:**

### Back Light (L)

- A = Automatic (default setting).  
The backlight comes on in the dark.
- O = Light never comes on.
- 1 = Light comes on when the handset is unlocked.

### Display Contrast (C)

- 8 Levels from 0 - 7 (Default level 4).

**P** = Pairing with devices other than the Control Box.  
This feature is not available on this appliance.



**IMPORTANT: THE FURTHER FUNCTIONS ON THIS HANDSET ARE FOR FACTORY SETTING ONLY AND ARE NOT TO BE USED. PLACE THE HANDSET ON A FLAT SURFACE AND WAIT UNTIL THE HOME SCREEN IS DISPLAYED AND THE UNLOCK LIGHT TURNS OFF.**

## PAGING THE HANDSET

If the handset is lost it can be located by pressing the + only on the Control Box for 5 seconds.

The handset will flash and make a noise for 60 seconds to indicate where it is.

Pick up the Handset and cradle it to unlock. The flashing and noise will stop.

If the handset is not discovered in 60 seconds the process will need to be repeated.

## CHANGING THE DEFAULT TIMER MODE

It is possible to change the default time period for the Timer mode.

**The default time period for Timer mode is factory set to 1 hour.**

To change the default time:

Holding the remote to keep the green light on and the handset unlocked:

Press and hold the SET button until a beep is heard to indicate the command has been received.

Release the SET button. PROG will be displayed at the top left of the display.

Repeatedly press the MODE button until the Zzz symbol flashes at the top of the display.

Press and release the SET button.

Press the + or - buttons to alter the default time period. The timer can be set between 1 minute and 24 hours.

After adjusting the time press SET again to confirm.

**Note: This does not activate the Timer mode, see Installation Section, Manual Operation or Thermostatic Mode.**

## REPLACING THE APPLIANCE BATTERIES

Replace batteries at least every 12 months during the annual service of the fire.



**It is essential to use high quality batteries (Duracell or equivalent) when replacing batteries.**

The icon at the bottom shows the battery condition of both the batteries in the handset and in the Control Box alternately.



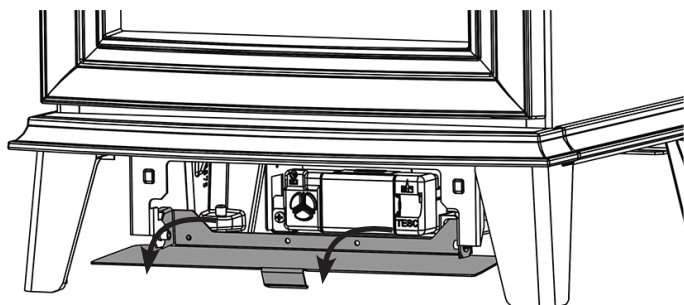
RC = Remote Control Handset  
FC = Fire Control (Control Box)



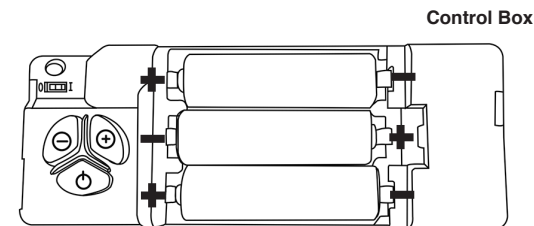
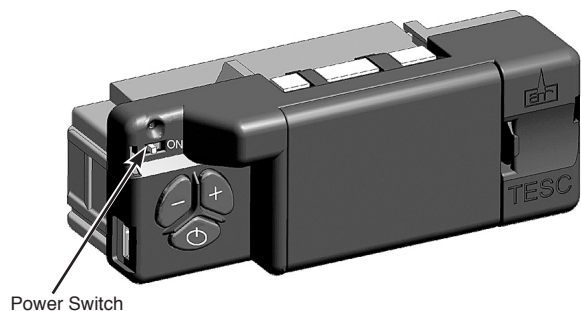
**i** **Note:** Change the batteries in the handset before they are flat, to avoid having to reprogram the time of day in again. N.B. Pairing is not lost, even if the batteries are removed or flat.

The appliance Control Box requires 3 AA size alkaline batteries.

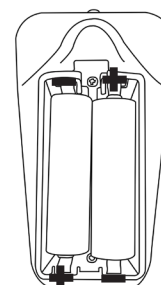
The handset requires 2 AA size alkaline batteries.



Slide the Power Switch on the Control Box to the OFF (o) position before attempting to change the batteries.



Control Box

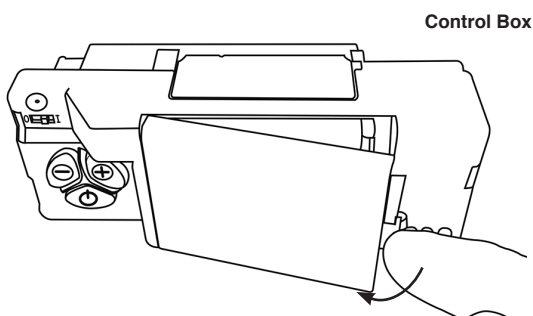


Remote Control

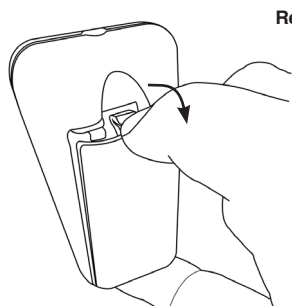
**i** **Power Supply via Micro USB**  
 It is possible to power the Control Box via a 5V Micro USB connection. If a USB lead is used batteries are not required in the Control Box.  
**DO NOT CONNECT OTHER ELECTRIC DEVICES TO THE CONTROL BOX.**

After fitting the batteries, slide the white Power Switch on the Control Box to the ON (I) position for the appliance to operate.

**i** **Note:** The Power Switch does not need to be turned off each time the appliance is not in use. However, if the appliance is left unattended for long periods of time (e.g. vacation), it is recommended to place the Power Switch into the off position.



Control Box



Remote Control

## CLEANING THE APPLIANCE



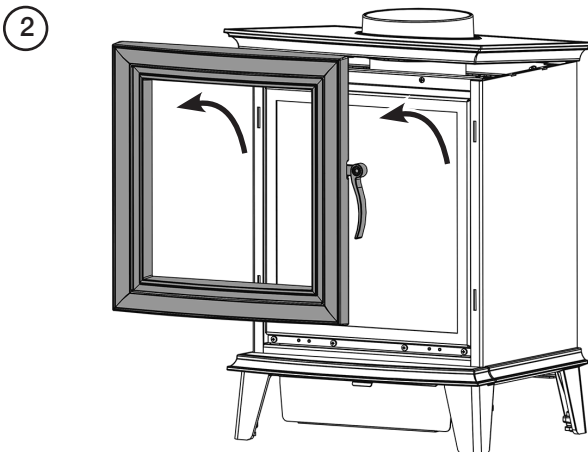
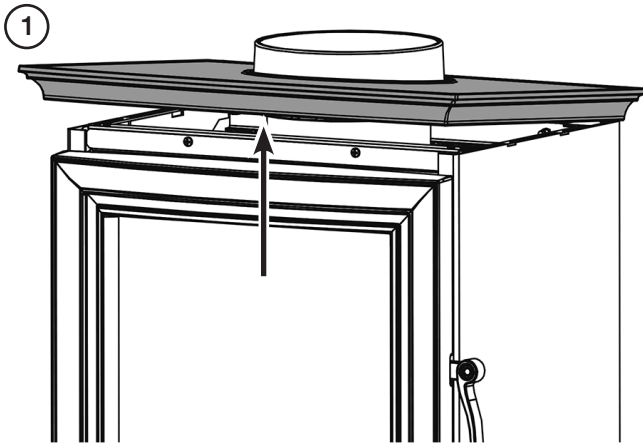
**WARNING: NEVER CLEAN THE APPLIANCE WHILE IT'S HOT. THE APPLIANCE STAYS HOT FOR A LONG TIME AFTER SHUTDOWN.**

**IMPORTANT: THE OUTER PANELLING AND DOOR OF THE APPLIANCE IS MADE FROM CAST IRON. TAKE CARE WHEN INSTALLING, REMOVING AND STORING TO AVOID DAMAGING THE OUTER CASING, HEARTH OR DOOR.**

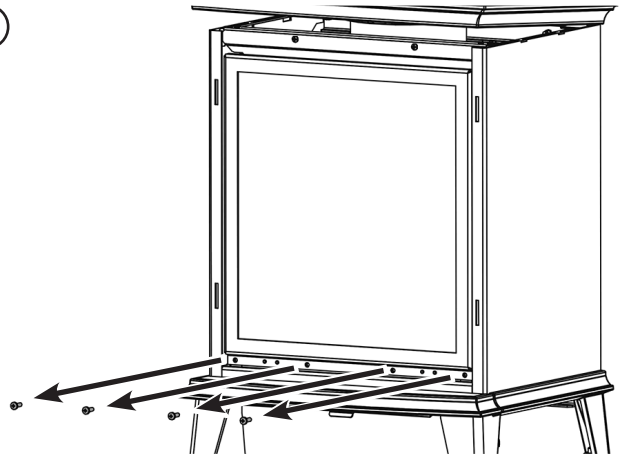
Make sure the fire and surrounds are cool before cleaning.

Use:

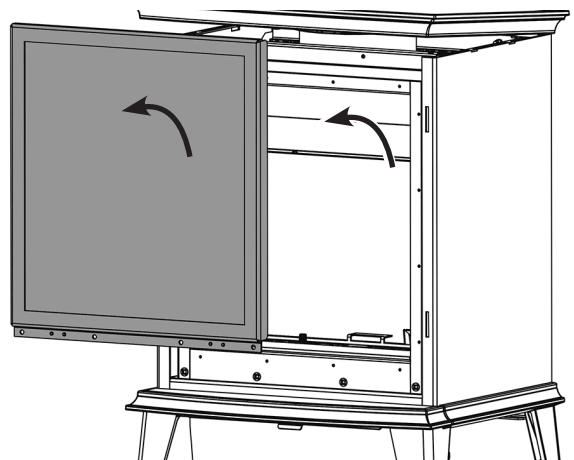
- A dry cloth to clean the appliance casing.
- A damp cloth for the glass front.



3



4



The glass frame must be refitted to the appliance following cleaning or servicing.

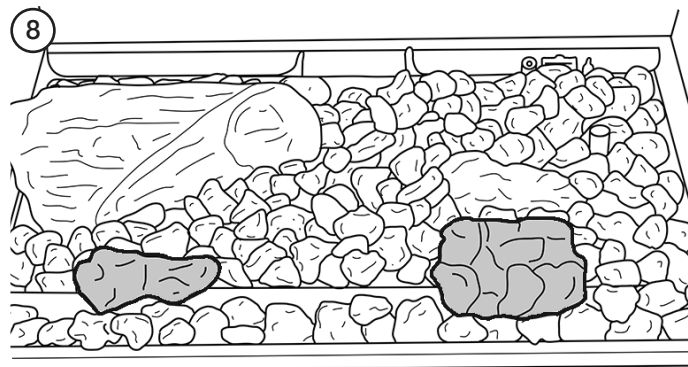
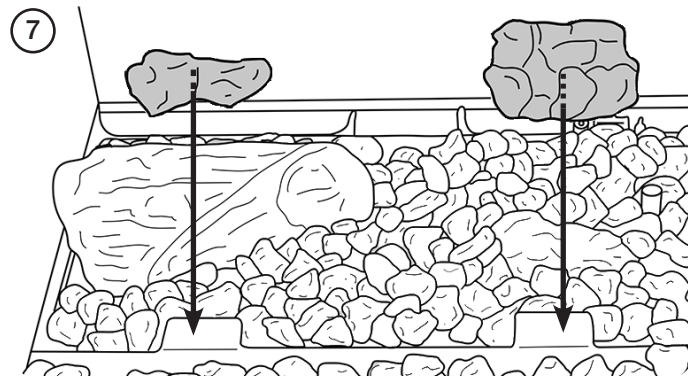
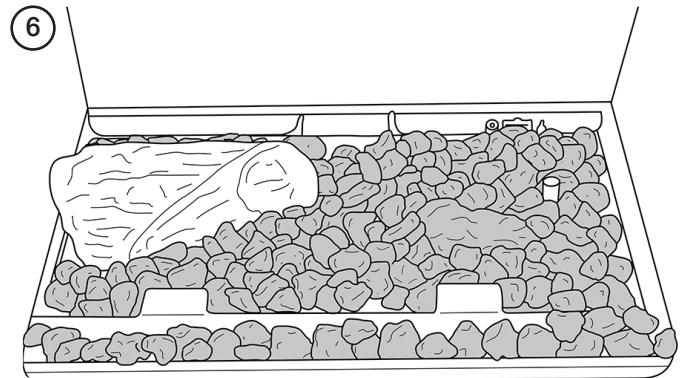
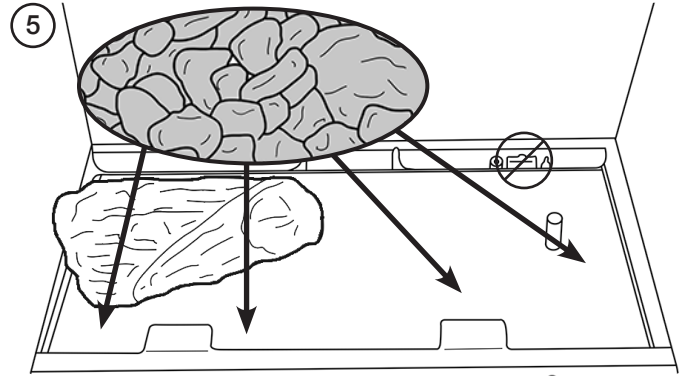
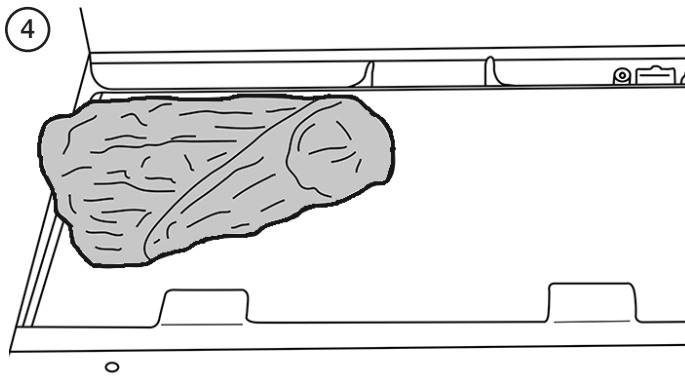
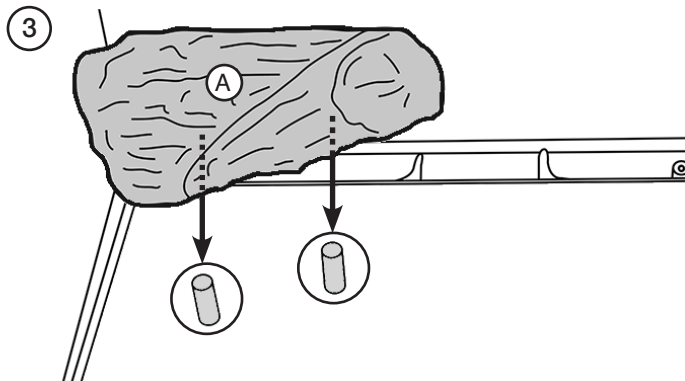
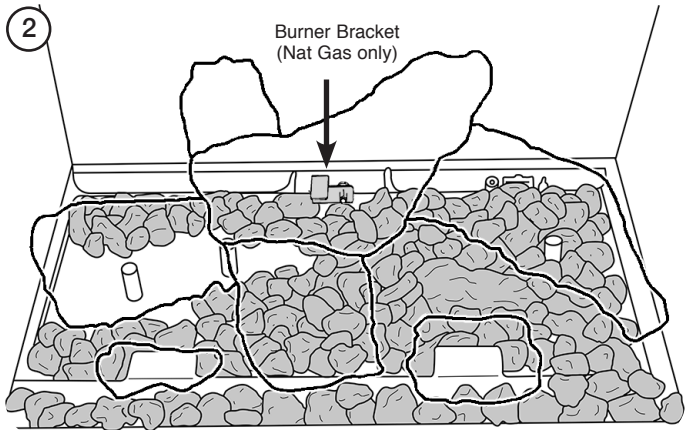
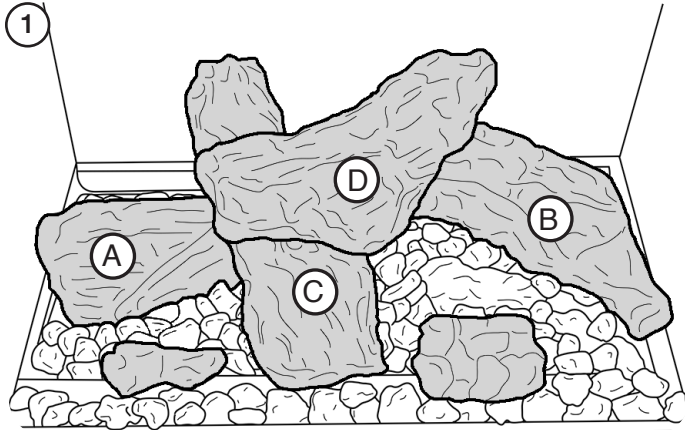
Replace ALL of the securing screws ensuring that a screw is present in all fixing slots.

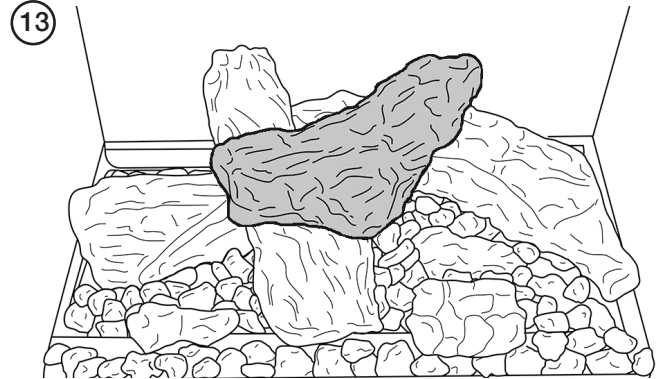
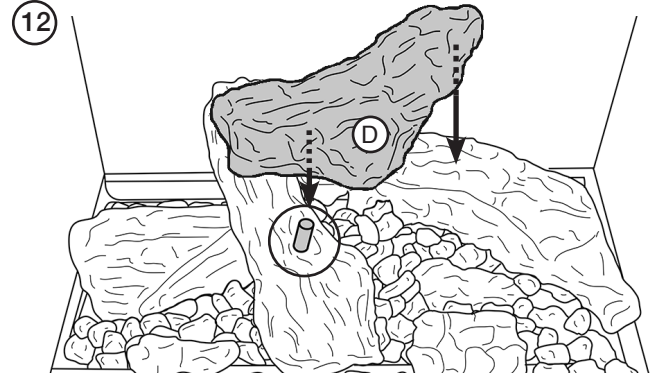
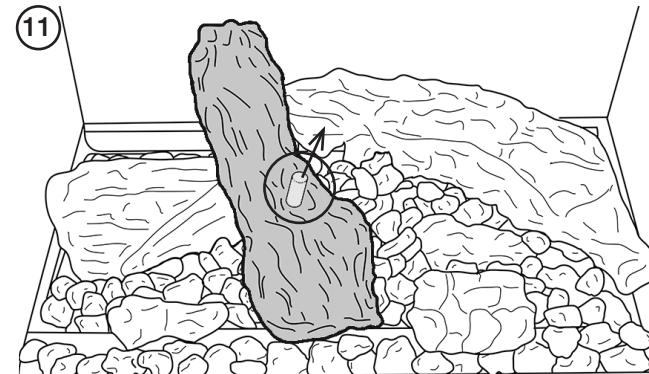
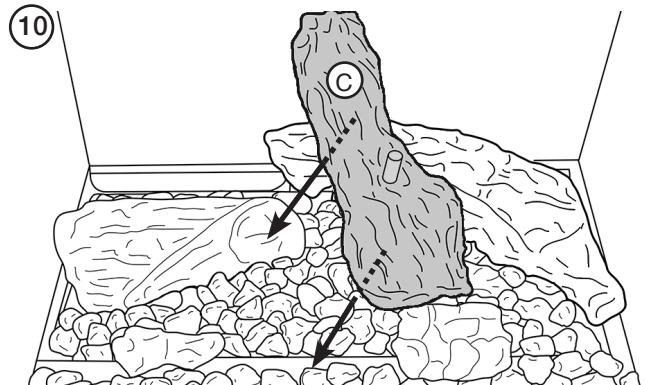
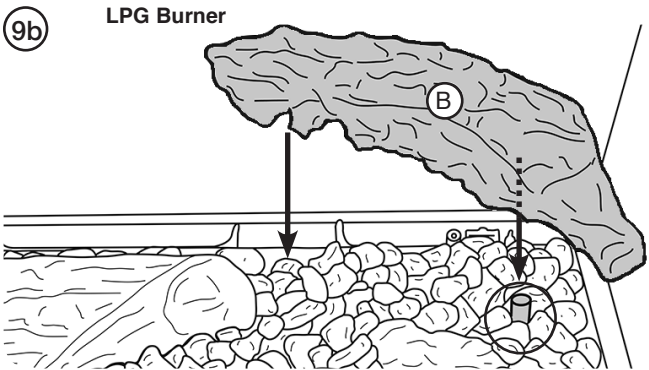
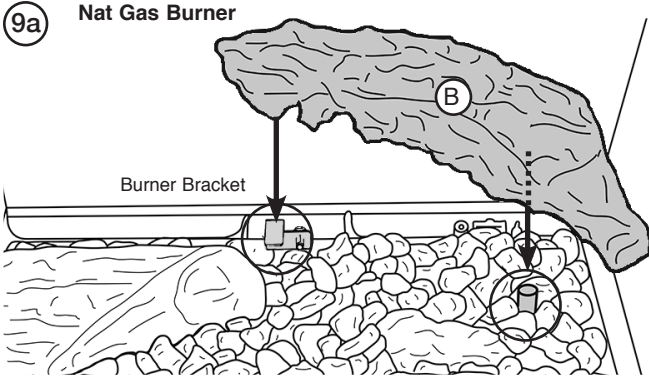


**UNDER NO CIRCUMSTANCES SHOULD THE APPLIANCE BE USED IF ANY OF THE GLASS FRAME RETAINING SCREWS ARE LOOSE OR MISSING.**

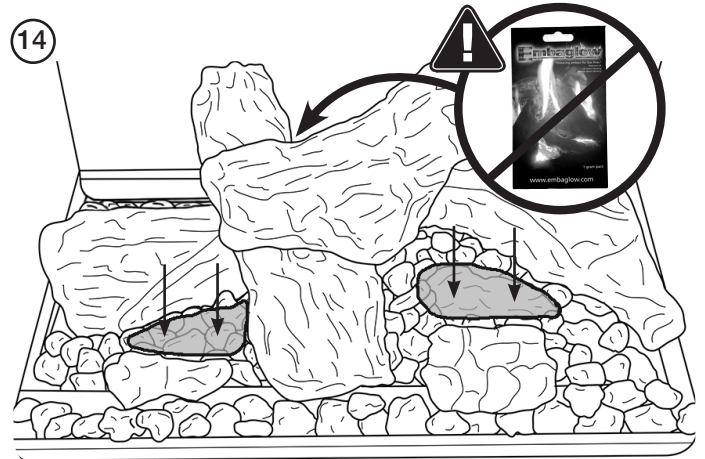
## LOG LAYOUT

LOGS MUST BE POSITIONED ACCORDING TO THE FOLLOWING INSTRUCTIONS TO GIVE THE CORRECT FLAME EFFECT.





**!** IT MAY NOT BE NECESSARY TO USE ALL THE EMBAGLOW IN THIS PACK. SPARINGLY SPREAD AN AMOUNT OF THE FIBRES PROVIDED ON THE SECTIONS HIGHLIGHTED IN THE INSTRUCTIONS. Take care not to use more than specified in the instructions.



**WARNING - DO NOT PLACE NEAR THE PILOT AREA.**



## OXYGEN DEPLETION SENSOR

The appliance is fitted with an oxygen sensitive pilot system that will act to cut off the gas supply to the appliance should the oxygen in the room fall below its normal level. If the appliance is turned off by this device, it usually indicates that there is a problem with the flue system, and this should be inspected by a qualified engineer.

**Do not attempt to use the appliance until an engineer says it is safe to do so.**

**This device is not a substitute for an independently mounted carbon monoxide detector.**

## FLAME FAILURE DEVICE

This is a safety feature incorporated on this appliance which automatically switches off the gas supply if the pilot goes out and fails to heat the thermocouple.

**IF THIS OCCURS DO NOT ATTEMPT TO RELIGHT THE APPLIANCE FOR 3 MINUTES.**

## RUNNING IN

During initial use of a new Gazco appliance a strong odour will be encountered as various surface coatings become hot for the first time. Although these odours are harmless it is recommended that the appliance is operated on maximum for 4 to 8 hours in order to fully burn off these coatings. After this period the odours should then disappear.

If the odours persists, please contact your installer for advice.

During the first few hours of burning there may be discolouration of the flames. This will also disappear after a short period of use.

## SERVICING AND SUPPORT



### Servicing and Support

To keep your appliance looking and performing at its best, it must be serviced annually. This service must be undertaken by a suitably qualified individual and your retailer can organise this for you. Alternatively, Gazco offer a manufacturers premium service with our friendly team of qualified engineers which can be booked at [www.gazco.com/support](http://www.gazco.com/support)

In all correspondence always quote the Model number and the Serial number which may be found on the Commissioning Checklist (Page 3).

## VENTILATION

This appliance requires no additional ventilation.

## INSTALLATION DETAILS

Your installer should have completed the commissioning sheet at the front of this book. This records the essential installation details of the appliance. In all correspondence always quote the Model number and Serial number.

## HOT SURFACES

Parts of this appliance become hot during normal use. Regard all parts of the appliance as a 'working surface', except for the access to the controls.

Provide a suitable fire guard to protect young children and the infirm.

## APPLIANCE WILL NOT LIGHT

If you cannot light the appliance:

Check and change the batteries in the remote handset.

Consult your Gazco retailer or installer if the appliance still does not light.

## SITE REQUIREMENTS

### SAFETY PRECAUTIONS

For your own and other's safety, you must install this appliance according to local and national codes of practice. Failure to install the appliance correctly could lead to prosecution. **Read these instructions before installing and using this appliance.**

These instructions must be left intact with the user.

Do not attempt to burn rubbish on this appliance.

Keep all plastic bags away from young children.

Do not place any object on or near to the appliance and allow adequate clearance above the appliance.

**IF THE APPLIANCE IS EXTINGUISHED OR GOES OUT IN USE, WAIT 3 MINUTES BEFORE ATTEMPTING TO RELIGHT THE APPLIANCE.**



**IMPORTANT: REFER TO DATA BADGE AND TECHNICAL SPECIFICATION AT THE FRONT OF THE MANUAL TO ENSURE THE APPLIANCE IS CORRECTLY ADJUSTED FOR THE GAS TYPE AND CATEGORY APPLICABLE IN THE COUNTRY OF USE.**

**FOR DETAILS OF CHANGING BETWEEN GAS TYPES REFER TO SERVICING SECTION REPLACING PARTS.**

### FLUE & CHIMNEY REQUIREMENTS

**WHEN INSTALLING A FLUE SYSTEM PLEASE REFER TO THE MANUFACTURERS INSTRUCTIONS.**

The European chimney standards now describe chimneys and flues by their temperature, pressure and resistance to corrosion, condensation and fire. To identify the correct flue system, the minimum flue specification is shown in the Technical Specification. Existing chimneys are not covered by this system.

The chimney or flue system must comply with the rules in force, and must be a minimum of 127mm (5") in diameter.

A 127mm liner must be used if fitting the appliance into an existing brick built chimney. Larger lined flues can work, but in some instances could cause cold start flue problems resulting in nuisance shutdown. Lined flues above 175mm are not recommended.

Suitable systems are:

- Flexible liner which must be continuous from the appliance spigot to the roof terminal.
- Gazco Linerless kit.

**UNDER NO CIRCUMSTANCES MUST THE LINERLESS KIT BE USED WITH ANY INSTALLATION OTHER THAN AN EXISTING MASONRY CHIMNEY WHICH HAS A MINIMUM DIAMETER OF 178mm. THE CHIMNEY MUST BE SOUND AND CLEAN. IF PREVIOUSLY USED FOR SOLID FUEL, IT MUST BE SWEEPED**

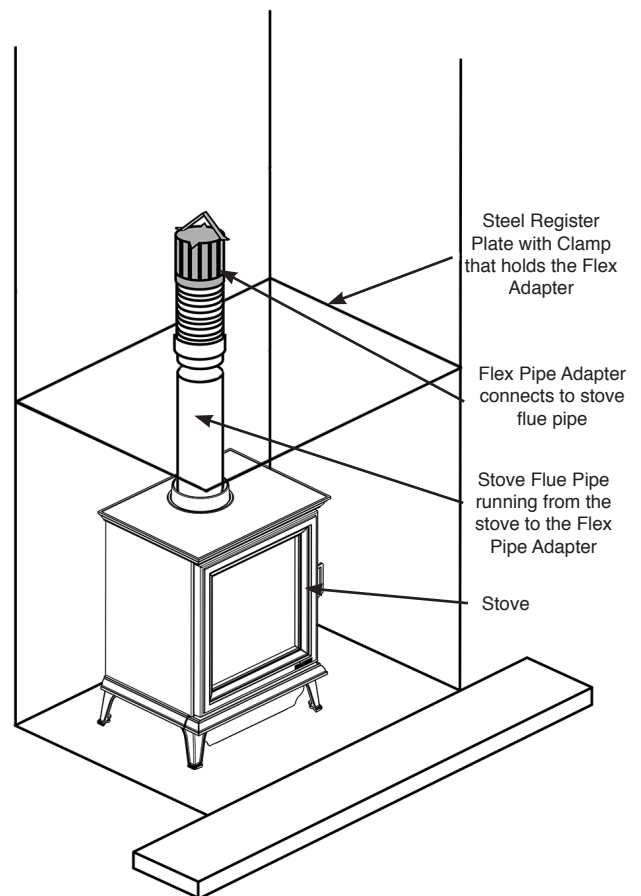
### PRIOR TO PROCEEDING WITH THE INSTALLATION.

**NOTE:** If the Linerless kit is to be used, due care should be taken to prevent condensation forming in the chimney. Do not fit the Linerless Kit if the chimney is taller than 10 metres (external wall) or 12 metres (internal wall).

The minimum flue height for the appliance must be 3 metres. Any horizontal flue run from the rear outlet must not exceed 100mm from the back of the appliance.

The chimney or flue must be free from any obstruction. Any damper plates must be removed or secured in the fully open position, and no restrictor plates fitted.

The chimney must be swept prior to the installation, but it need not be swept if it can be seen the chimney is clean and unobstructed throughout its entire length.



### FLUE OPTIONS

**A range of Vitreous Enamel Gloss Black flue pipe is available to compliment the appliances. Please contact your Gazco retailer for further information.**



## SITE REQUIREMENTS

### GAS SUPPLY

#### THIS APPLIANCE IS INTENDED FOR USE ON A GAS INSTALLATION WITH A GOVERNED METER.

Before installation, ensure that the local distribution conditions (identification of the type of gas and pressure) and the adjustment of the appliance are compatible.

Ensure the gas supply delivers the required amount of gas and is in accordance with the rules in force.

You can use soft copper tubing on the installation and soft soldered joints outside the appliance and below the fire.

A means of isolating the gas supply to the appliance must be provided independent of any appliance control.

All supply gas pipes must be purged of any debris that may have entered prior to connection to the appliance.

The gas supply must be installed in a way that does not restrict the removal of the appliance for servicing and inspection.

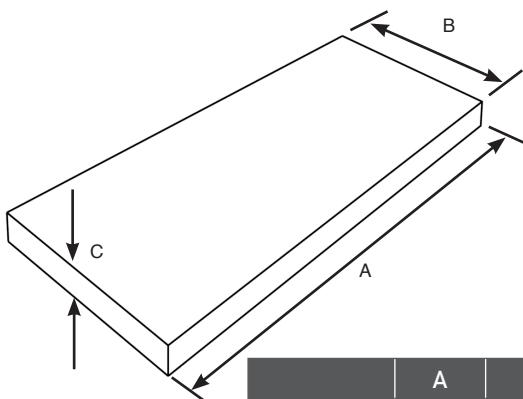
### VENTILATION

**IMPORTANT: Ensure any national ventilation requirements are taken into account during installation of the appliance.**

**FOR THE REPUBLIC OF IRELAND REFER TO THE RULES IN FORCE FOR VENTILATION REQUIREMENTS.**

### APPLIANCE LOCATION

Building Regulations state this appliance must stand on a non-combustible hearth that is at least 12mm thick and projects 50mm minimum from the base of the appliance in all directions, however Gazco recommend the hearth extends to the following dimensions.



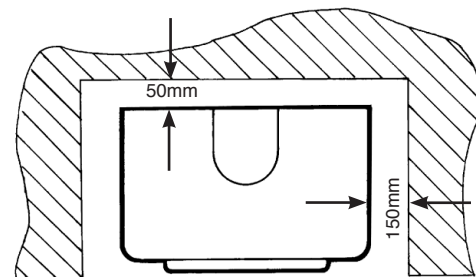
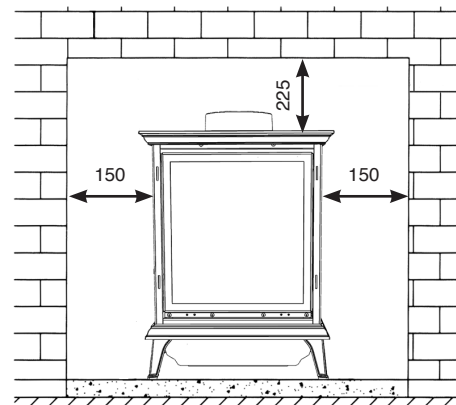
	A	B	C
Chesterfield 5	750	508	12
Sheraton 5	758	503	12

### MINIMUM CLEARANCE

The appliance is not suitable for installation against a combustible wall.

Ensure that all minimum clearances to combustible materials are complied with.

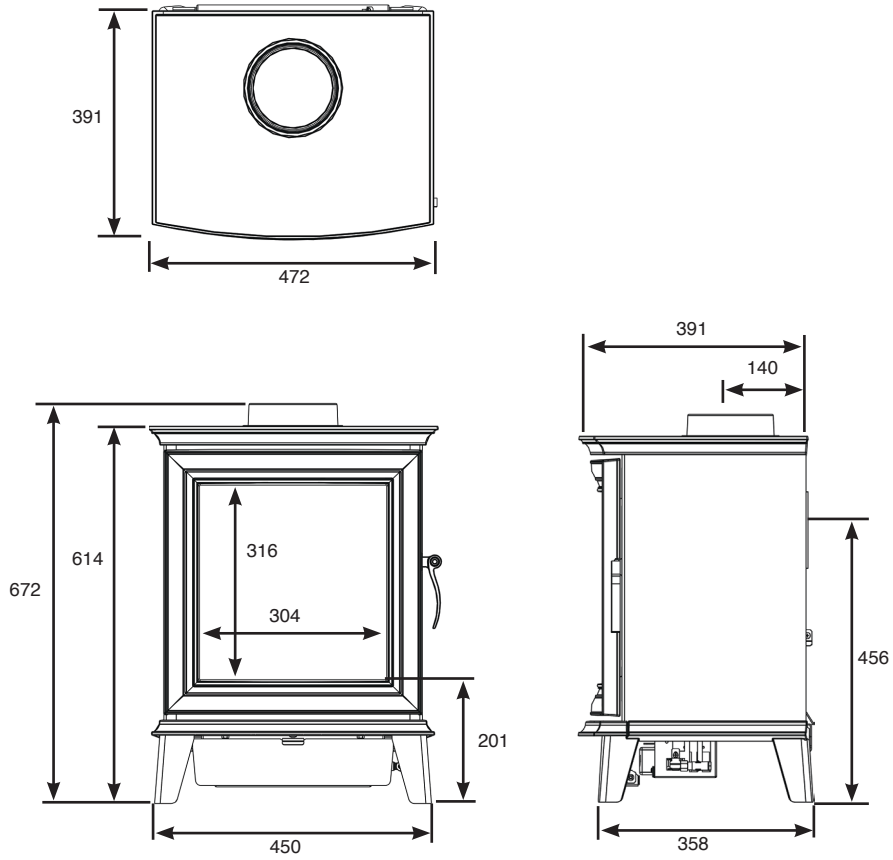
The specified clearances provide the minimum distance to combustible materials. If the appliance is intended to be installed into a non-combustible opening the clearance to the **sides and above** the appliance can be reduced. However, it is recommended that the specified clearances are maintained irrespective of the materials used in the construction of the opening to allow adequate air flow and access to controls. **The clearance at the rear of the appliance must always be a minimum of 50mm.**



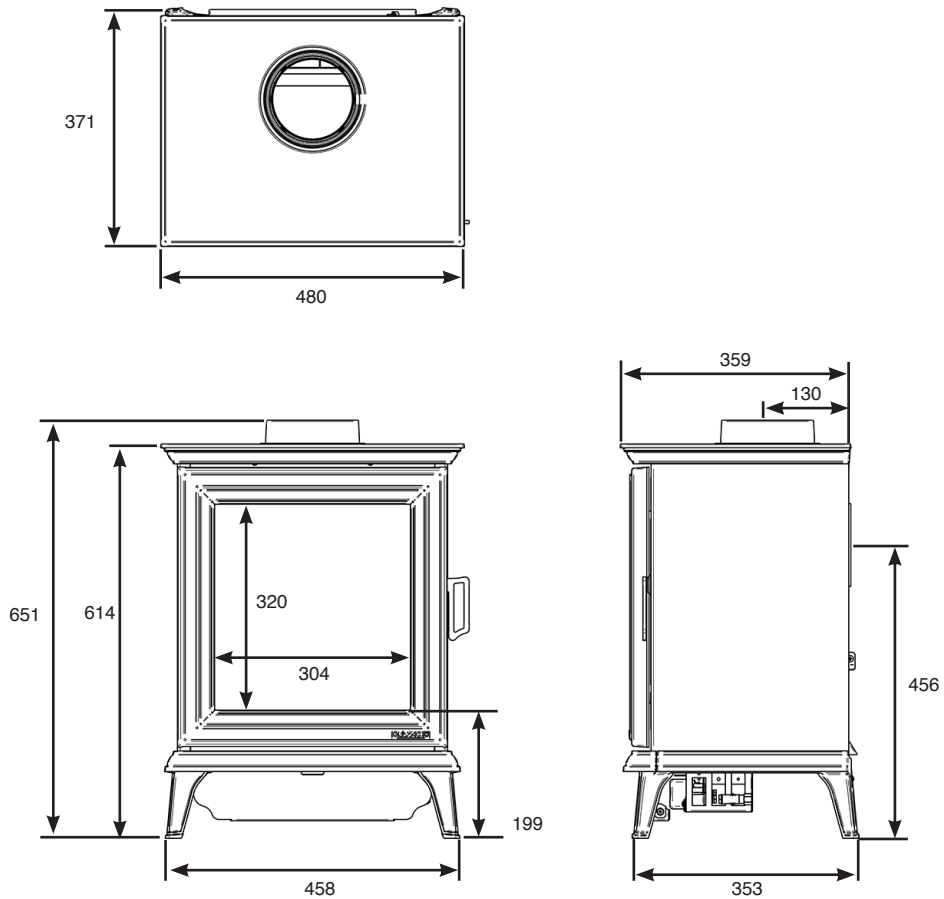
**In a non-combustible recess be careful to allow enough clearance at the sides and rear of the appliance to perform spillage tests and reach the controls.**

DIMENSIONS

CHESTERFIELD 5



SHERATON 5



## Technical Specification

Covering the following models:

	CHESTERFIELD 5	SHERATON 5
<b>Nat Gas</b>	505-003	505-014
<b>LPG</b>	505-402	505-428

MODEL	GAS CAT.	GAS TYPE	WORKING PRESSURE	AERATION	INJECTOR	GAS RATE M <sup>3</sup> /H	INPUT KW (GROSS)		COUNTRY
							HIGH	LOW	
<b>CHESTERFIELD 5/ SHERATON 5</b>	I <sub>2</sub> H	Natural Gas G20	20mbar	2 x 5.5mm Ø	360	0.553	5.8	2.9	GB, IE
	I <sub>3</sub> P	Propane G31	37mbar	2 x 14mm Ø	120	0.203	5.4	2.8	
<b>Efficiency Class 2 - 76% Net</b>									
Flue Outlet Size TOP/REAR EXIT 127mm (5") ø									
Gas Inlet Connection Size 8mm ø									
Minimum flue specification T250 / N2 / O / D / 1									
Maximum flue temperature 240°C									

**i** The net efficiency of these appliances have been measured as specified in EN613:2001 and the result after conversion to gross using the appropriate factor from Table E4 of SAP 2012 is 68.5%. The test data has been certified by Kiwa Nederand BV. The gross efficiency value may be used in the UK Government's Standard Assessment Procedure (SAP) for energy rating of dwellings.

This appliance has been certified for use in countries other than those stated. To install this appliance in these countries, it is essential to obtain the translated instructions and in some cases the appliance will require modification. Contact Gazco for further information.

### PACKING CHECKLIST

QTY DESCRIPTION	FIXING KIT CONTAINING:-
1 x Appliance 1 x Flue Blanking plate 1 x Log set*	1 x Instruction manual 1 x Embaglow
*Packed in appliance	

**INSTALLATION**

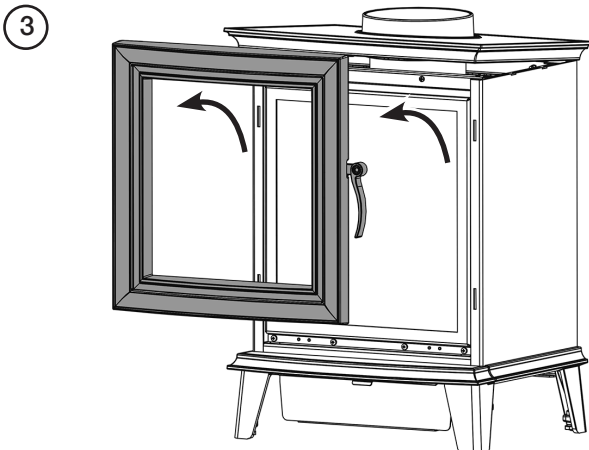
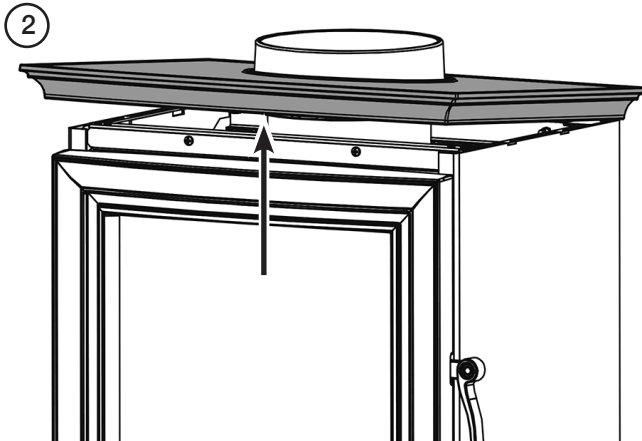
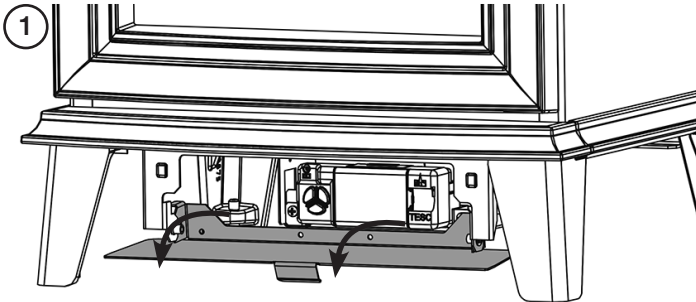


**IMPORTANT: REFER TO DATA BADGE AND TECHNICAL SPECIFICATION AT THE FRONT OF THE MANUAL TO ENSURE THE APPLIANCE IS CORRECTLY ADJUSTED FOR THE GAS TYPE AND CATEGORY APPLICABLE IN THE COUNTRY OF USE.**

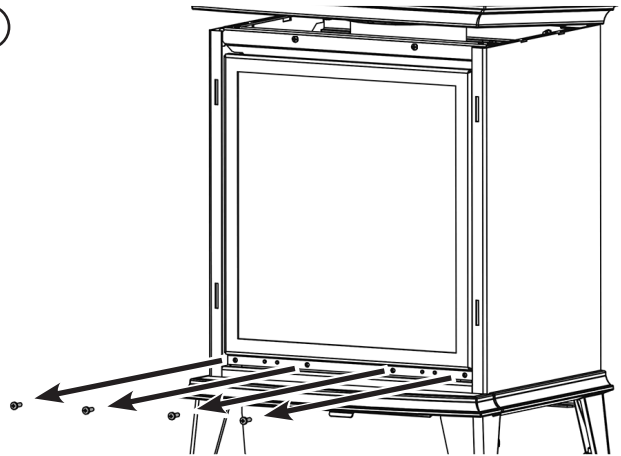
**FOR DETAILS OF CHANGING BETWEEN GAS TYPES REFER TO SERVICING INSTRUCTIONS.**



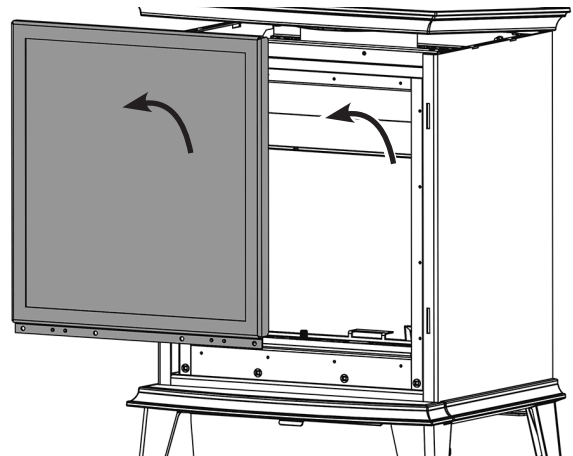
**IMPORTANT: THE OUTER PANNELLING AND DOOR OF THE APPLIANCE IS MADE FROM CAST IRON. TAKE CARE WHEN INSTALLING, REMOVING AND STORING TO AVOID DAMAGING THE OUTER CASING, HEARTH OR DOOR.**



4



5



Place carefully to one side.

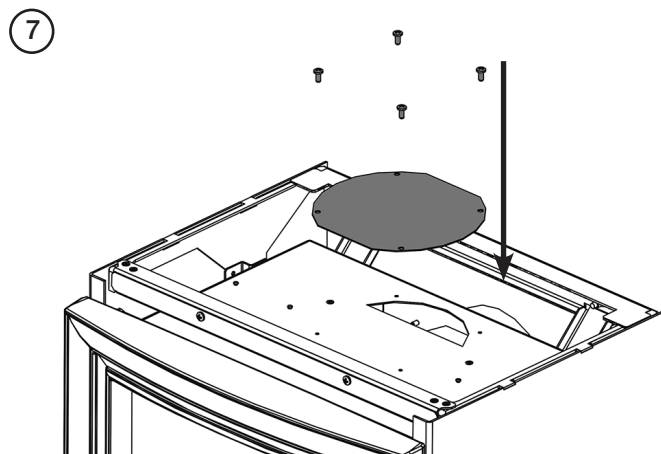
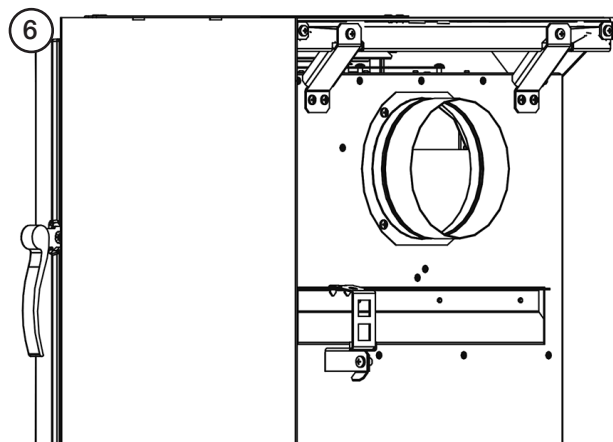
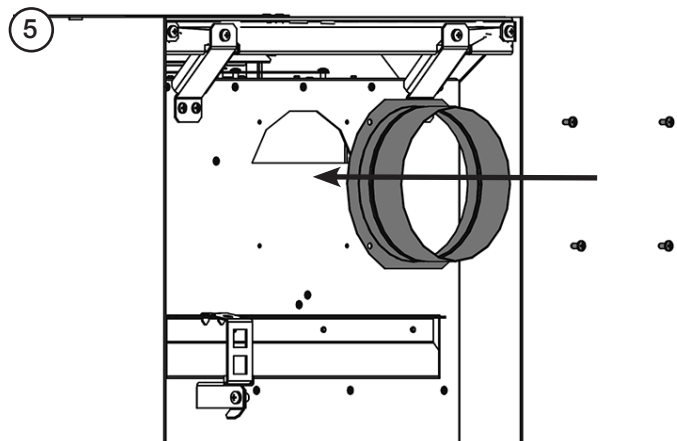
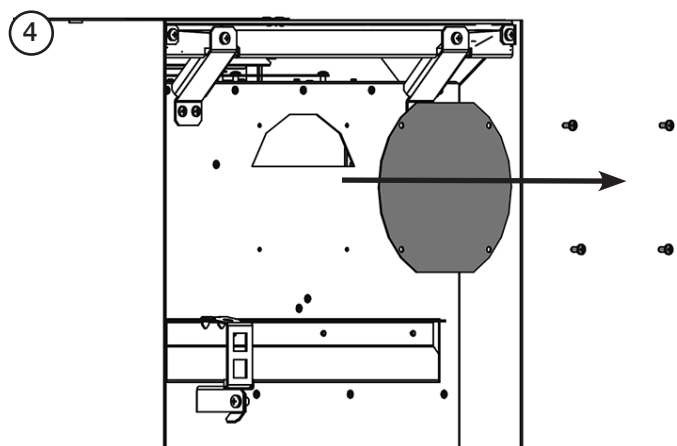
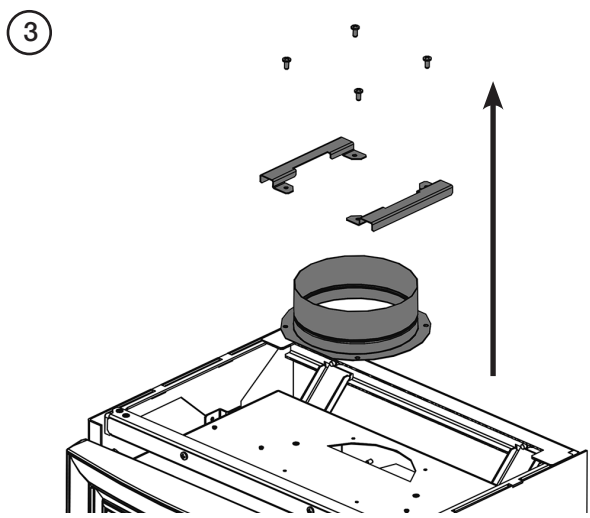
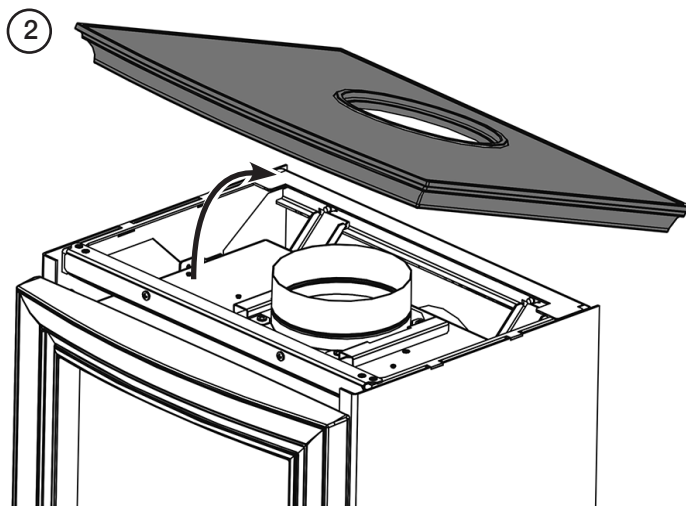
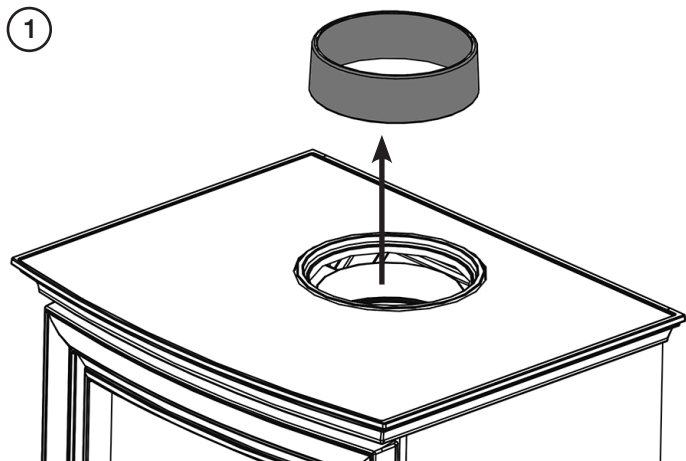
Remove the box and place in a safe location.

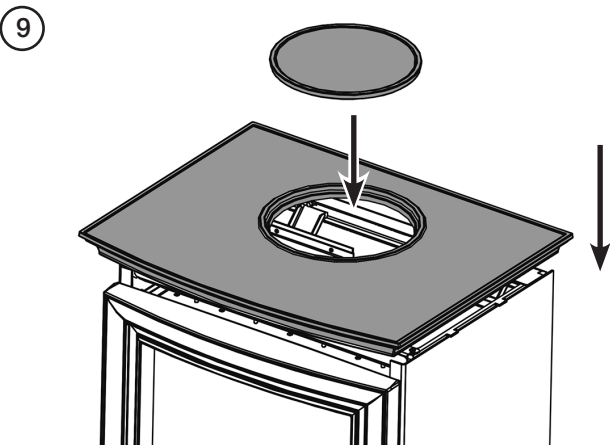
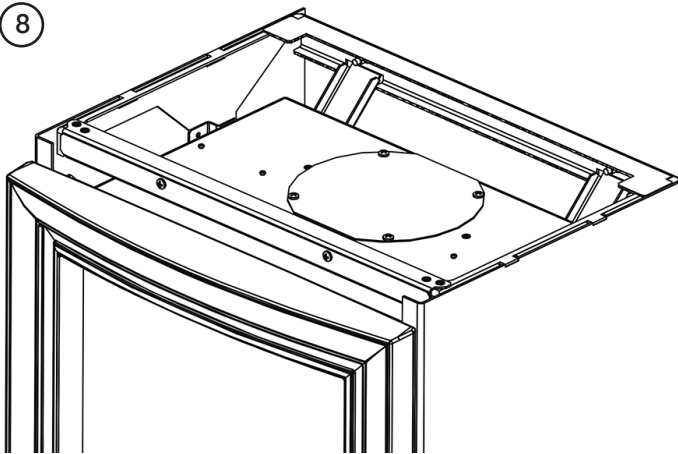
**REFER TO SITE REQUIREMENTS SECTION FOR ALL FLUE OPTIONS.**

## TOP OR REAR EXIT

The appliance is supplied as a top exit configuration.  
Before locating the appliance choose the correct flue outlet position.

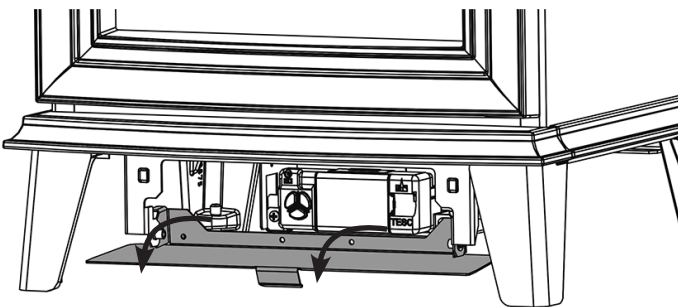
### REAR EXIT



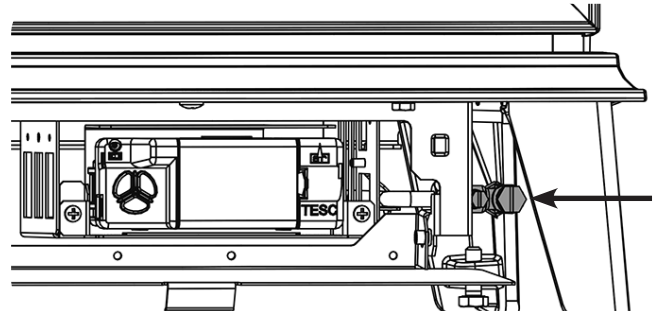
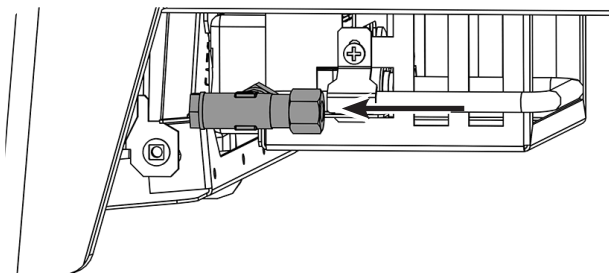


### GAS SOUNDNESS PRESSURE CHECK

Purge the supply pipe.  
This is essential to expel any debris that may block the gas controls.



Connect the gas to the 8mm elbow on the rear of the appliance.

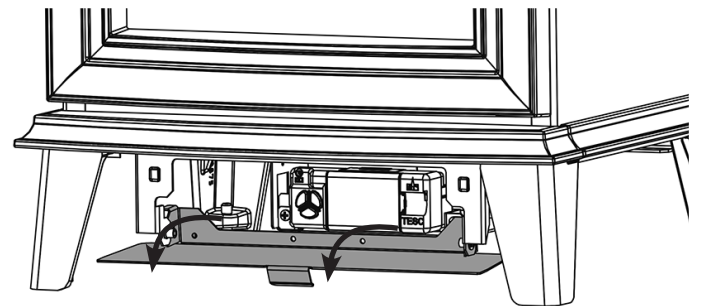


Connect a suitable pressure gauge to the test point located on the inlet fitting and turn the gas supply on. Light the appliance and check all gas joints for possible leaks. Turn the appliance to maximum and check that the supply pressure is as stated on the databadge. Turn the gas off and replace the test point screw, turn the gas on and check the test point for leaks.

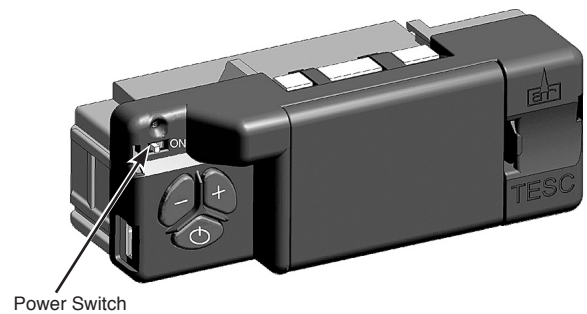
### BATTERY INSTALLATION

The appliance Control Box requires 3 AA size alkaline batteries.

The handset requires 2 AA size alkaline batteries.

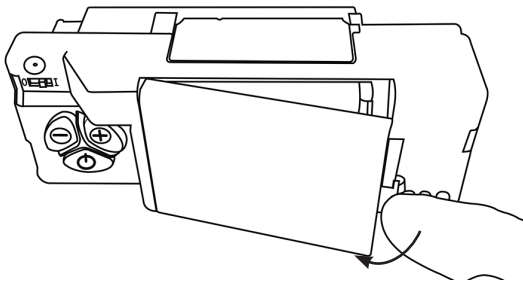


Slide the Power Switch on the Control Box to the OFF (o) position before attempting to change the batteries.

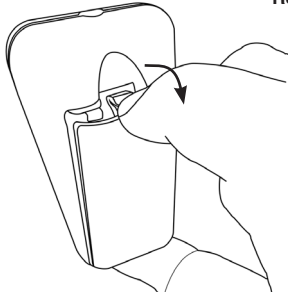




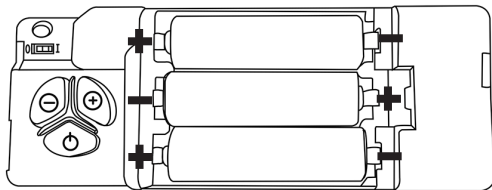
Control Box



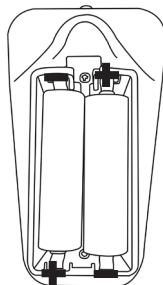
Remote Control



Control Box



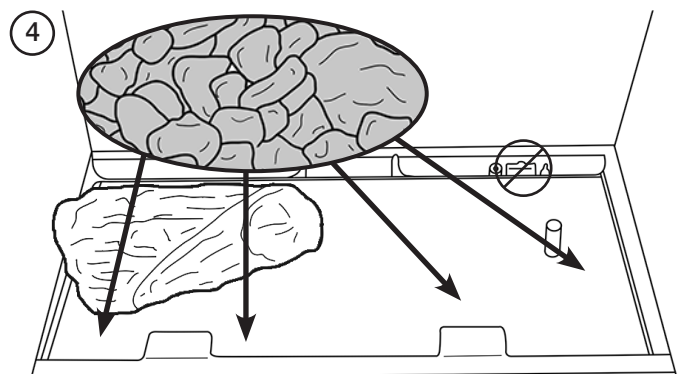
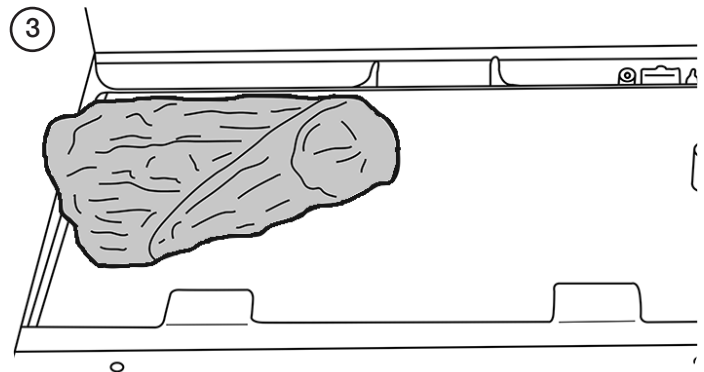
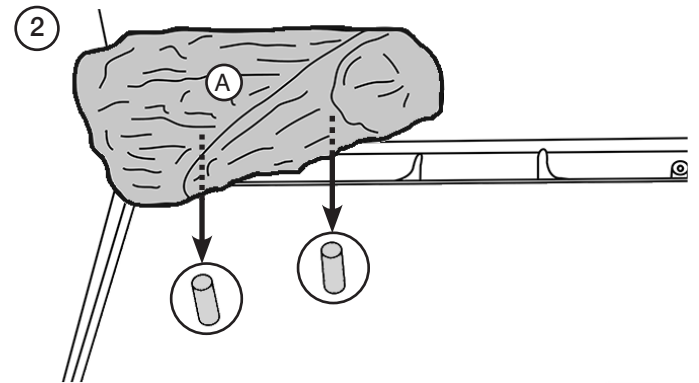
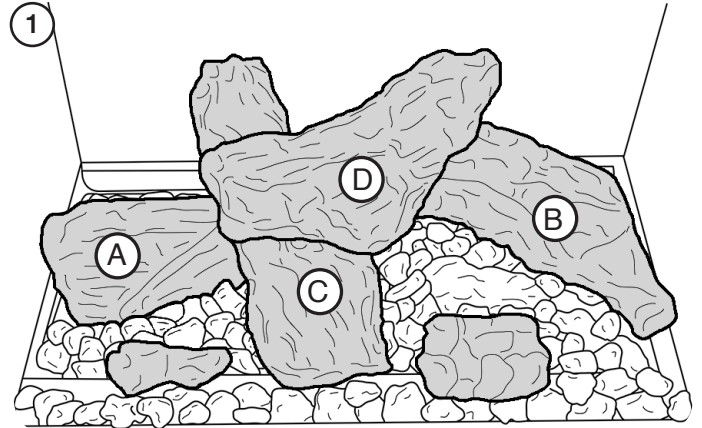
Remote Control

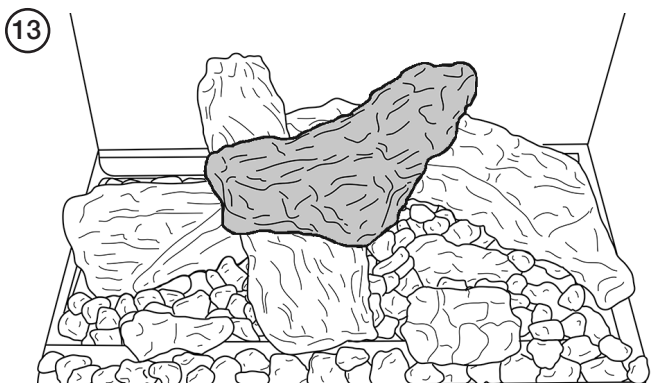
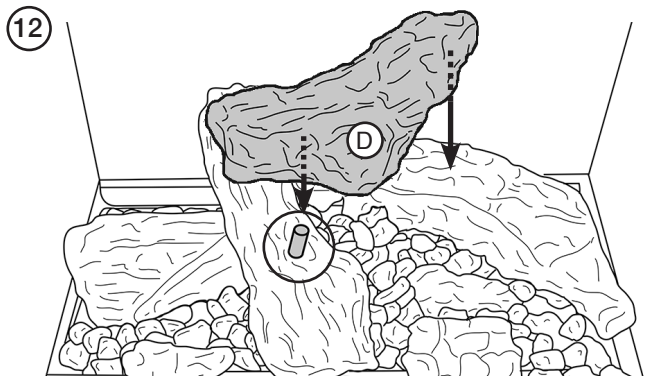
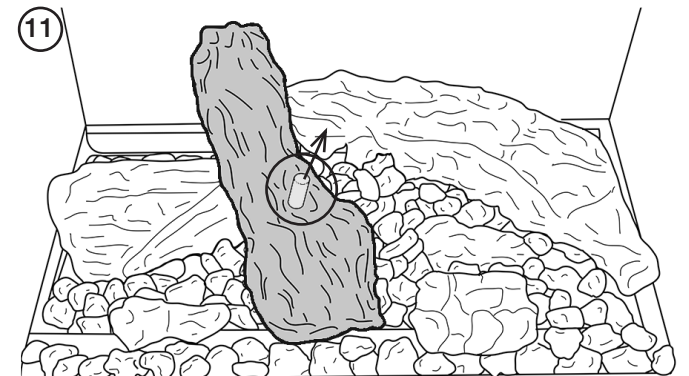
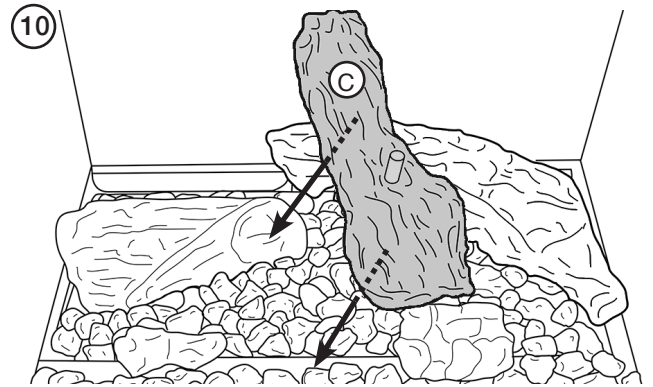
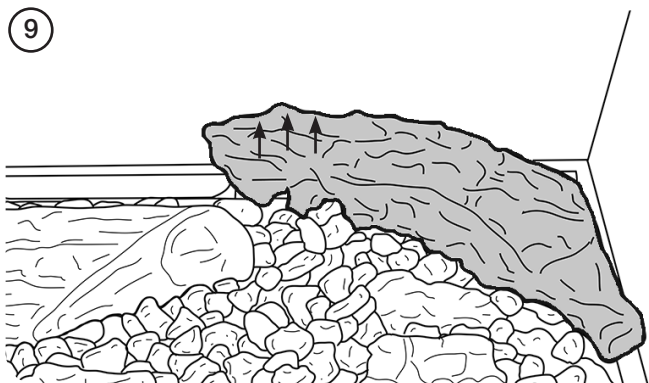
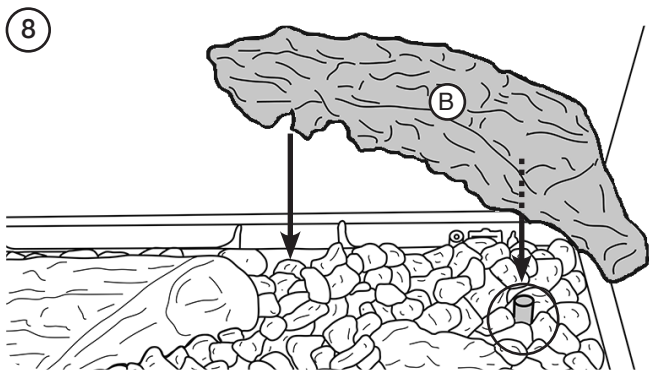
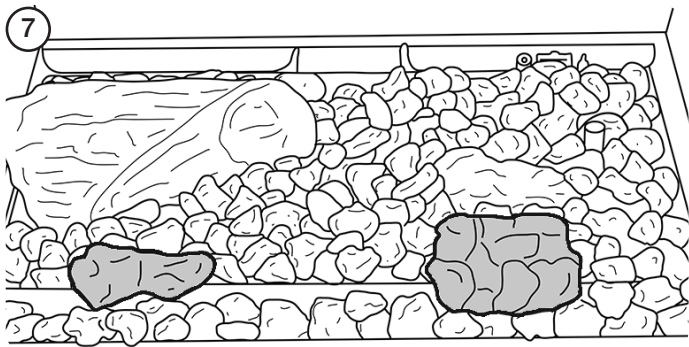
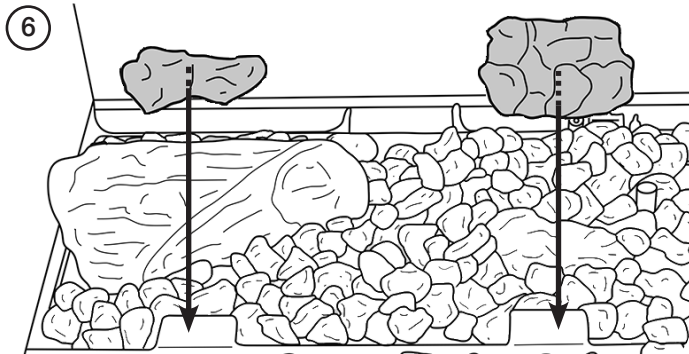
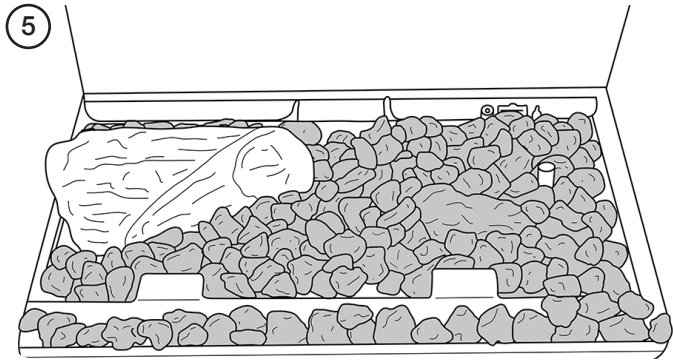



**i** It is essential to use high quality batteries (Duracell or equivalent) when replacing batteries in the handset or control box.

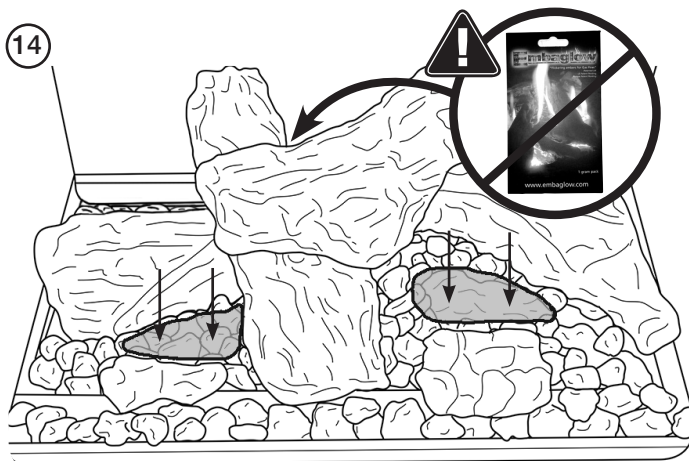
## LOG LAYOUT

LOGS MUST BE POSITIONED ACCORDING TO THE FOLLOWING INSTRUCTIONS TO GIVE THE CORRECT FLAME EFFECT.



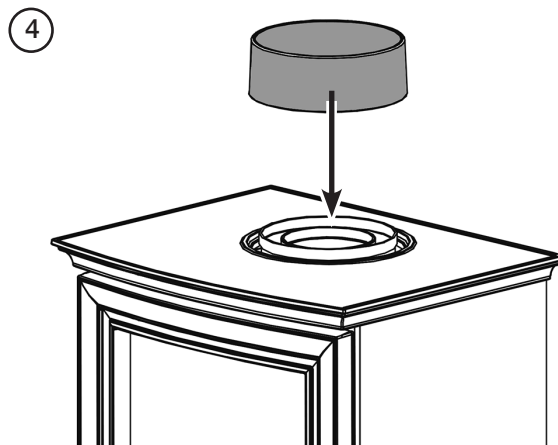
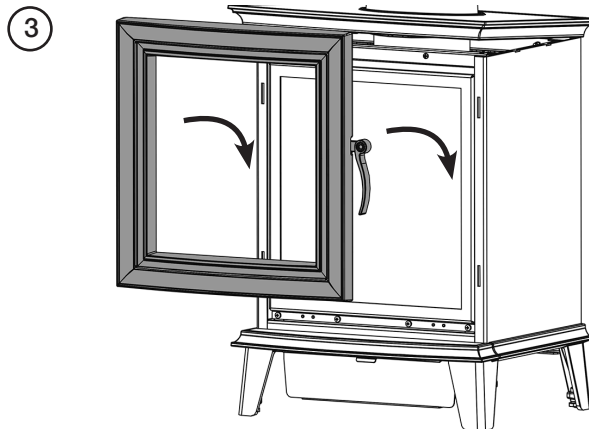
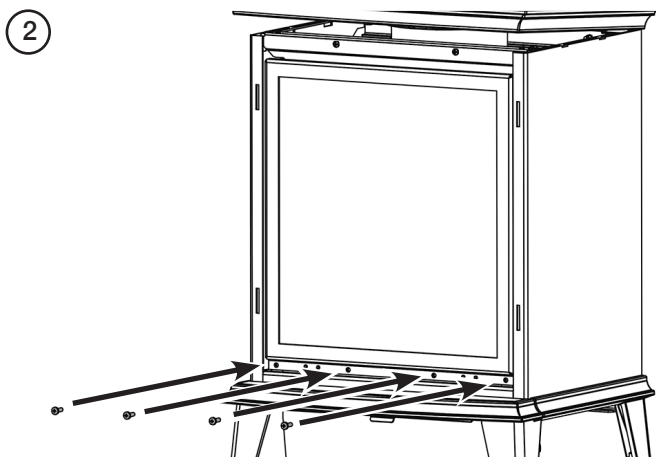
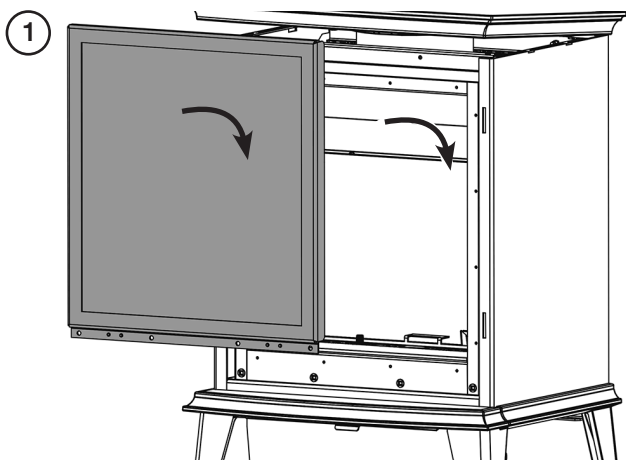



 IT MAY NOT BE NECESSARY TO USE ALL THE EMBAGLOW IN THIS PACK. SPARINGLY SPREAD AN AMOUNT OF THE FIBRES PROVIDED ON THE SECTIONS HIGHLIGHTED IN THE INSTRUCTIONS. Take care not to use more than specified in the instructions.



WARNING - DO NOT PLACE NEAR THE PILOT AREA.

**COMPLETION OF ASSEMBLY**



 UNDER NO CIRCUMSTANCES SHOULD THE APPLIANCE BE USED IF ANY OF THE GLASS FRAME RETAINING SCREWS ARE LOOSE OR MISSING.

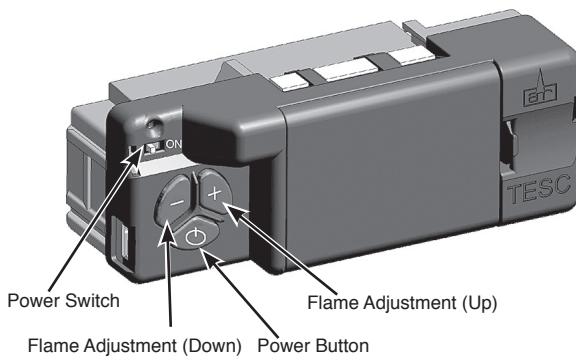
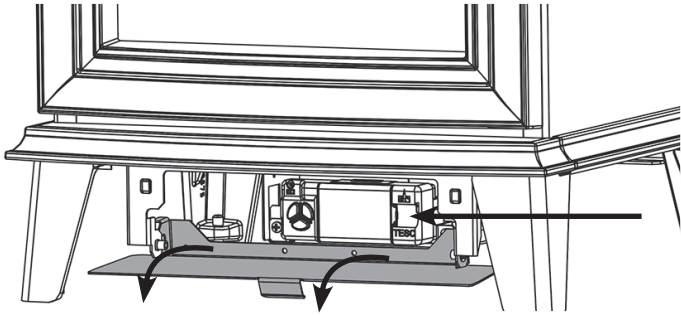
## OPERATING THE APPLIANCE

There are two ways of lighting the appliance:

Using the **Manual Controls** on the Control Box (located on the appliance).

By **Thermostatic Remote Control**.

### MANUAL OPERATION (CONTROL BOX)



To operate the appliance the Power Switch on the Control Box must be switched ON ( I ).

**Note:** The Power Switch does not need to be turned off each time the appliance is not in use. However, if the appliance is left unattended for long periods of time (e.g. vacation), it is recommended to place the Power Switch into the off position.

#### TURNING THE APPLIANCE ON:

Press and hold the Power Button for 1 second and release. The burner will light approximately 2 to 3 seconds later.

Use + and - buttons to adjust the flame height between Minimum and Maximum.

#### TURNING THE APPLIANCE OFF

Press the power button to turn the appliance off.

**IMPORTANT:** YELLOW FLAMES TYPICALLY APPEAR WHEN THE APPLIANCE HAS REACHED NORMAL OPERATING TEMPERATURE. THIS CAN TAKE UP TO 30 MINUTES.



**WARNING: IF THE APPLIANCE FAILS TO LIGHT OR BECOMES EXTINGUISHED IN USE, WAIT 3 MINUTES BEFORE ATTEMPTING TO RELIGHT.**

**THE APPLIANCE WILL TAKE 3 AUTOMATIC ATTEMPTS TO RESTART. DO NOT INTERRUPT THE VALVE DURING THIS PROCESS.**

## REMOTE CONTROL

To operate the appliance the Power Switch on the Control Box must be switched ON ( I ).



To activate the Remote Control it will be necessary to cradle the handset to unlock. The green light will illuminate to show the handset is ready to use. **IMPORTANT:** Continue to cradle the handset throughout an operation to keep it unlocked. If the green light goes off during an operation it will be necessary to reposition the handset so the light comes back on and restart the operation.



## HANDSET INITIAL SET UP

Following initial set up or new pairing it will be necessary to set the time and date.



**Note:** Pressing SET button will advance the display to the next screen and pressing MODE button will return it to the previous setting.

### SETTING THE TIME

Once the handset is paired the screen will show that the time is not yet set. The handset will then automatically progress to the next setup screen.





### SETTING THE DISPLAY FOR 12 OR 24 HOUR CLOCK

Holding the remote to keep the green light on and the handset unlocked the handset will display an H:24.



24 denotes a 24 hour clock and 12 denotes a 12 hour clock.

Press the + or - button on the handset to toggle between the two settings.  
Press the SET button to confirm and progress to setting the day of the week.

### SETTING THE DAY OF THE WEEK

Press and release the + and - buttons until the correct day of the week is shown on the display.



**Mo** = Monday, **Tu** = Tuesday, **We** = Wednesday, **Th** = Thursday, **Fr** = Friday, **Sa** = Saturday and **Su** = Sunday.

Press SET to confirm the day of the week and progress to setting the time.

### SETTING THE HOUR

Press and release the + or - button to change the hour to the correct hour. Press SET to confirm and progress to setting the minute.



### SETTING THE MINUTES

Repeat the process to change the minutes.

### SETTING THE TEMPERATURE DISPLAY (CELSIUS OR FAHRENHEIT)

Press and release the + or - button to toggle between C and F. When the display shows the desired symbol, press and release the SET button to store.



Place the handset down and wait until the home screen is displayed and the unlock light goes off.





**ALL THE NECESSARY SETTINGS REQUIRED HAVE NOW BEEN COMPLETED. ANY FURTHER FUNCTIONS ON THIS HANDSET ARE FOR FACTORY SETTING AND NOT TO BE USED.**

The Handset is now ready to operate the appliance.

## OPERATING THE APPLIANCE

### TURNING THE APPLIANCE ON

Press the  Power Button until Pilot flashes on the display.

Release the  Power Button and the Flame symbol will appear on the display.

**If the button is held the command will be cancelled for safety reasons.**

Holding the handset to unlock, use + and - buttons to adjust the flame height between Minimum and Maximum.

### TURNING THE APPLIANCE OFF

Holding the handset to unlock, press the power button to turn the appliance off.



**IMPORTANT: YELLOW FLAMES TYPICALLY APPEAR WHEN THE APPLIANCE HAS REACHED NORMAL OPERATING TEMPERATURE. THIS CAN TAKE UP TO 30 MINUTES.**



**WARNING: IF THE APPLIANCE FAILS TO LIGHT OR BECOMES EXTINGUISHED IN USE, WAIT 3 MINUTES BEFORE ATTEMPTING TO RELIGHT.**

**THE APPLIANCE WILL TAKE 3 AUTOMATIC ATTEMPTS TO RESTART. DO NOT INTERRUPT THE VALVE DURING THIS PROCESS.**



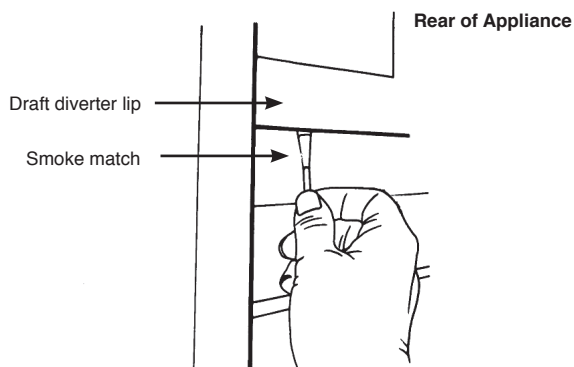
## COMMISSIONING

Close all doors and windows in the room.

Ignite the appliance and operate on maximum for 10 minutes.

Position a lighted smoke match just inside the draught diverter opening at the rear of the appliance.

Check all smoke is drawn into the opening.



If there is any doubt, run the appliance for a further 10 minutes, and repeat the test.

If there are any extractor fans in adjacent rooms, the test must be repeated with the fans running on maximum and interconnecting doors open.

**IF SPILLAGE PERSISTS, DISCONNECT THE APPLIANCE AND SEEK EXPERT ADVICE.**

Complete the Commissioning Checklist at the front of this manual covering:

- Thermocouple soundness checks. This is to include ensuring the thermocouple is secure on the pilot bracket assembly, lead connection and integrity.
- Flue checks
- Gas checks
- Log layout - flame picture

Upon completion of the commissioning and testing of the installation and correct operation of the appliance, the installer must instruct the user how to operate the appliance.

Guide the user through the User Instructions paying particular attention to:

- a) Regular servicing (See User Instructions).
- b) Ventilation (See User Instructions) - point out the ventilation positions where applicable.
- c) Hot surfaces (See User Instructions).

## PAIRING THE APPLIANCE

It may be necessary to pair the handset to the appliance following servicing.


Ensure the Power switch on the Control Box is in the ON (I) position.

Cradle the handset to unlock. The green light must be illuminated for the handset to accept commands.

Simultaneously press and hold the - and + buttons on the Control Box, until the red light appears on the Control Box.



**WARNING: IF THE + AND - BUTTONS ARE DEPRESSED FOR 20 SECONDS OR MORE THE LIGHT WILL EMIT A SLOW STEADY PULSE. FURTHER ACTIONS WILL REMOVE ANY HANDSET PAIRING.**

Release the - and + buttons and within 1 second press the  Power Button on the Control Box.

The handset emits a short beep, the green light on the handset flashes and the following icon is displayed.



With the display showing the icon press and hold the SET button to pair the handset to the appliance.

Following new pairing it will be necessary to set the time and date, see Installation Instructions.

If too much time passes without the SET command the display will show the following.



The handset has not paired and the process will need to be started again.

## SERVICING REQUIREMENTS/ FAULT FINDING CHARTS



**IMPORTANT – Check the glass panel on this appliance for any signs of damage on the glass panel (scratches, scores, cracks or other surface defects). If damage is observed, the glass panel must be replaced and the appliance must not be used until a replacement is installed.**

**DO NOT USE the appliance if any damage is observed.**

**Isolate the appliance until a replacement has been obtained and installed. Purchase replacement glass panels from Gazco via the retailer from which the appliance was purchased or any other Gazco distributor.**

This appliance must be serviced at least once a year by a competent person.

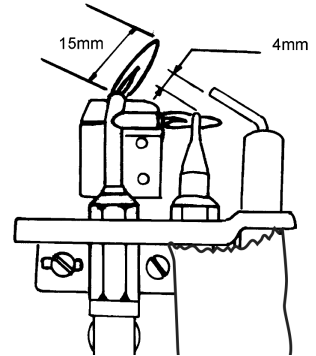
All tests must be carried out in accordance with the current Gas Safe recommendations.

### BEFORE TESTING:

- Conduct a gas soundness test for the property ensuring there are no leaks before servicing.
- Check the operation of the appliance before testing.

### SPECIAL CHECKS:

- Clean the burner using a vacuum cleaner with a soft brush attachment. Ensure all debris is removed from the burner ports.
- Clean away lint or fluff from the pilot.
- Clean away lint or fluff from under the burner.
- Check the spark gap on the pilot is correct.
- Ensure that the glass frame is secured correctly and that all retaining screws are in place.

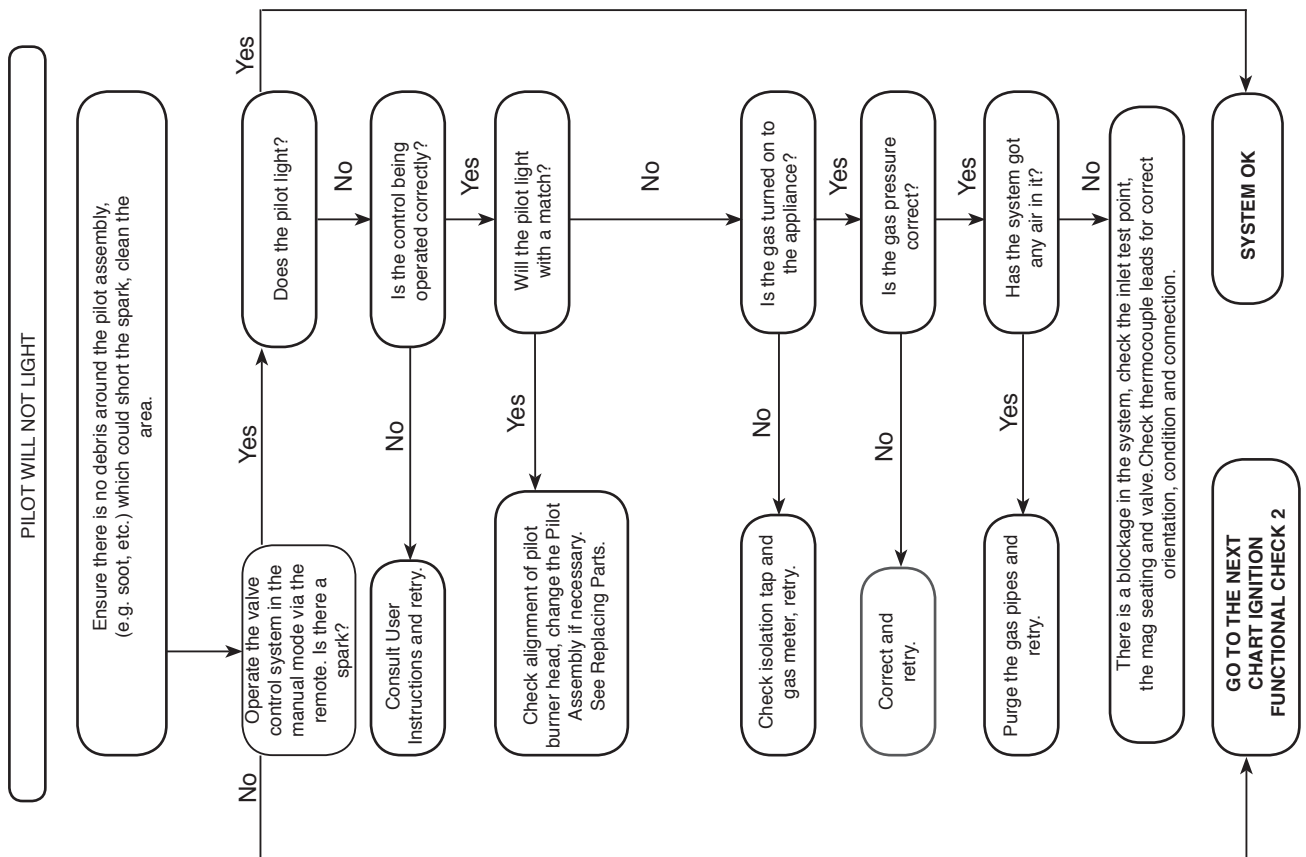


Correct any faults found during the initial test.

Re-commission the appliance in accordance with Commissioning Procedures.

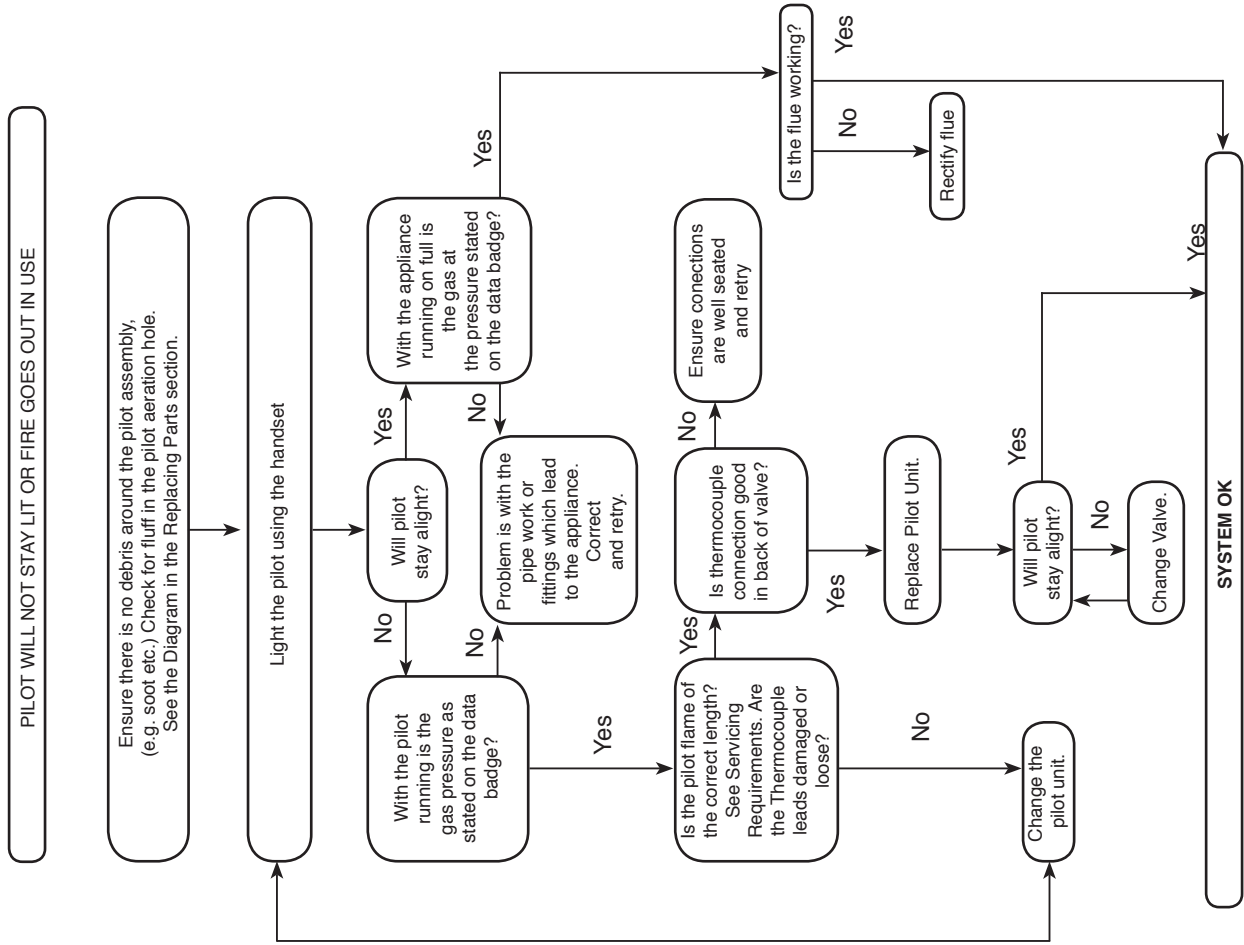
Advise the customer of any remedial work undertaken.

## IGNITION FUNCTIONAL CHECK 1

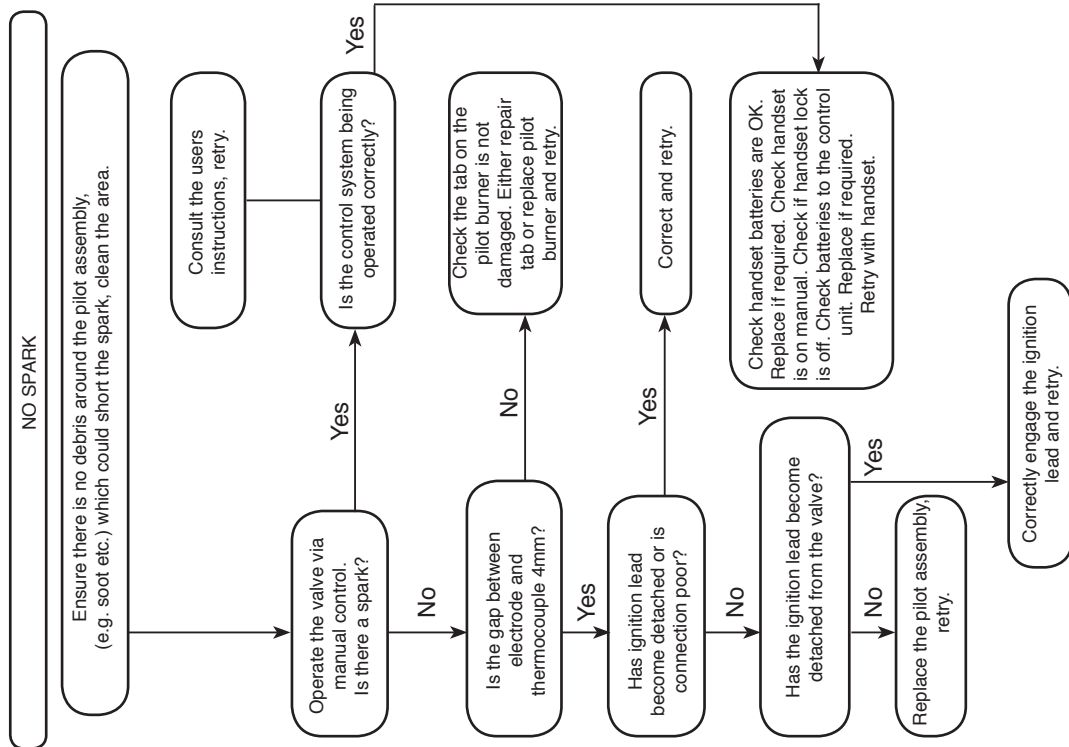


FAULT FINDING CHARTS

FLAME FAILURE FUNCTIONAL CHECK 3



IGNITION FUNCTIONAL CHECK 2



## ELECTRONIC CONTROL VALVE FAULT ANALYSIS

RED INDICATOR	MEANING
Permanently Lit	Valve tried to light but failed and in LOCKOUT E00
Flashing very fast	Valve is busy (will not accept any command)
Flashing once a second	Valve detects an error
Flashing once every 10 seconds	Indication of low battery power in valve
Flashing twice every 10 seconds (handset only)	Indication of low battery power in handset and valve
Permanently off	Valve in standby or in a stable operation
On momentarily after power up	Valve doing a self test
Appears after pressing start	Indicates time to release pressing the start button

If the valve indicates an error:

Allow the appliance to cool (if hot).

Check the battery status and replace with new if in any doubt.

Reset the error by first pressing the power button (with the appliance cool).

Press once again to start the fire.

If the error repeats refer to the error code table below.

Error Code	Meaning
E00	Valve Locked due to failed ignition.
E01	Indicates that possibly the content of CO is too high in ambient atmosphere.
E02	Ambient temperature around Gas valve in the fire too hot (exceeded 72°C).
E03	Thermocouple connection to valve issue. Incorrect reading from thermocouple.
E04	Flame detected on pilot after valve has shutdown.
E05	Flame detected on pilot before valve has started.
E06 & 07	Occurs when supply voltage is too low to operate the valve.
E24	Occurs when thermocouple does not reach its final temperature within 1 minute.

## SERVICING

All main components can be replaced without removing the appliance from its installation.

**IT IS ESSENTIAL THAT THE GAS SUPPLY TO THE APPLIANCE IS TURNED OFF AT THE ISOLATION DEVICE BEFORE PROCEEDING FURTHER.**

### Removal of Flue:

If, for any reason, the flue has to be removed from the appliance, the seal must be replaced in the inner spigot.

## SERVICING AND SUPPORT



### Servicing and Support

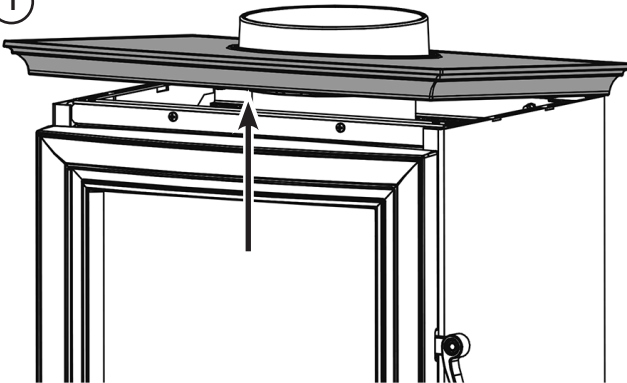
To keep your appliance looking and performing at its best, it must be serviced annually. This service must be undertaken by a suitably qualified individual and your retailer can organise this for you. Alternatively, Gazco offer a manufacturers premium service with our friendly team of qualified engineers which can be booked at [www.gazco.com/support](http://www.gazco.com/support)

## REMOVING THE GLASS DOOR

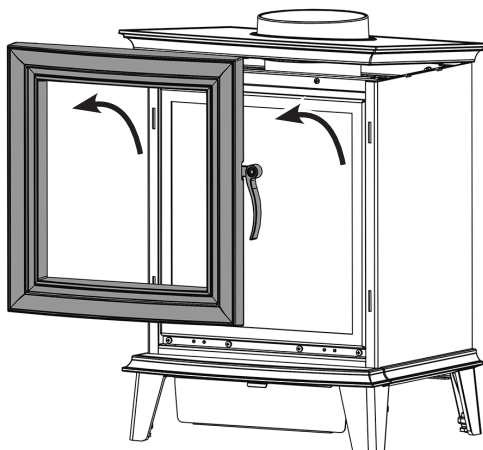


**IMPORTANT: THE OUTER PANNELLING IS MADE FROM CAST IRON. USE CAUTION WHEN INSTALLING, REMOVING AND STORING AS THE COMPONENTS ARE HEAVY AND SHOULD BE HANDLED CAREFULLY.**

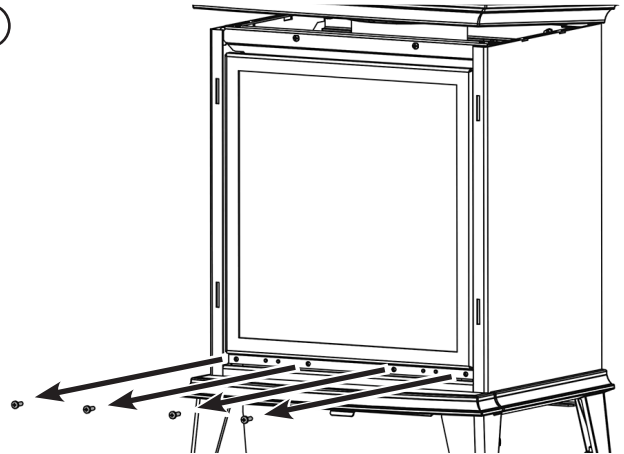
1



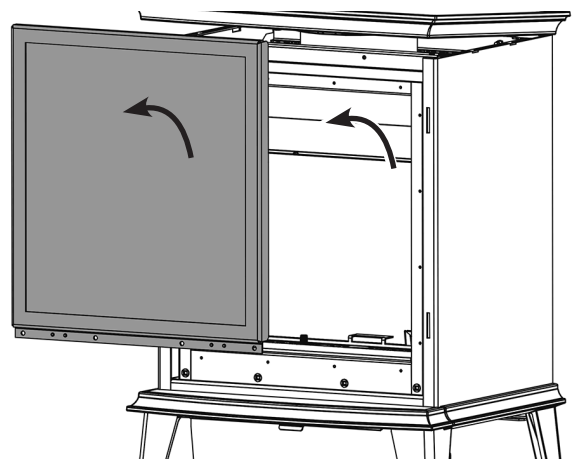
2



3



4



Replace ALL of the glass frame securing screws ensuring that a screw is present in all fixing slots, see Diagram 4.

**NEVER OPERATE THE APPLIANCE WHEN THE DOOR IS REMOVED, OR THE GLASS IS BROKEN.**



**UNDER NO CIRCUMSTANCES SHOULD THE APPLIANCE BE USED IF ANY OF THE GLASS FRAME RETAINING SCREWS ARE LOOSE OR MISSING.**

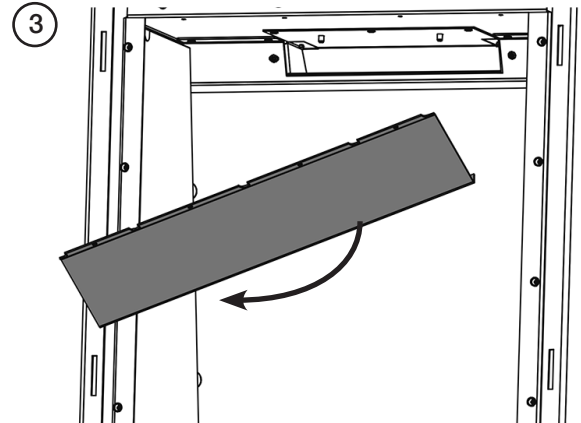
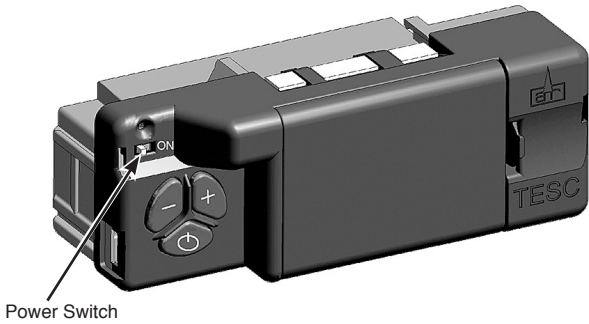


## APPLIANCE BATTERY

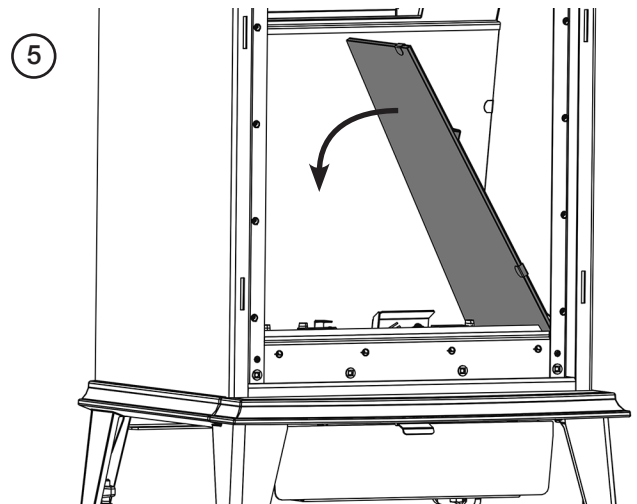
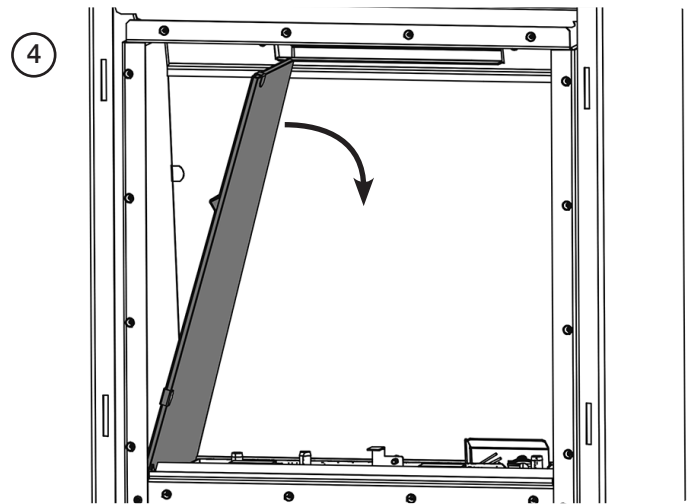
It is not necessary to remove the appliance battery to service the appliance, however the Power Switch on the Control Box must be switched to the OFF ( o ) position.

The Power Switch is located on the Control Box at the bottom of the appliance behind the vanity cover.

**Slide the Power Switch on the Control Box to the OFF ( o ) position before servicing the appliance.**



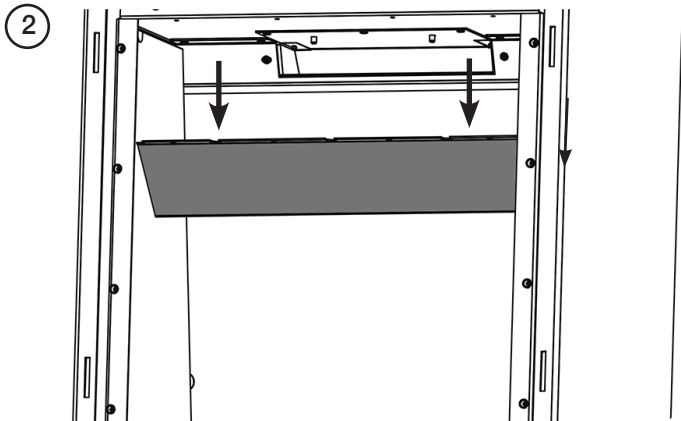
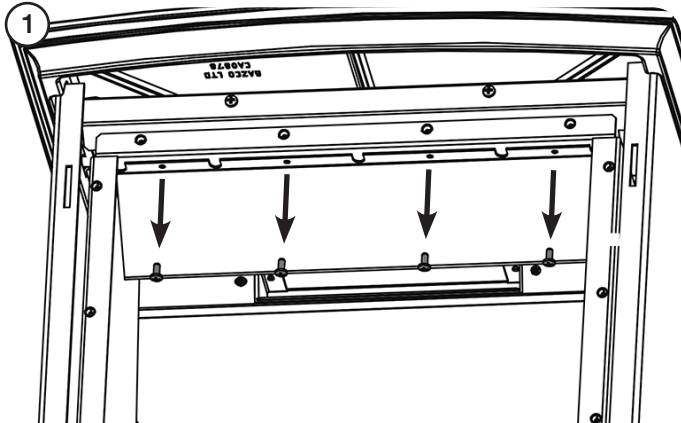
## LINERS



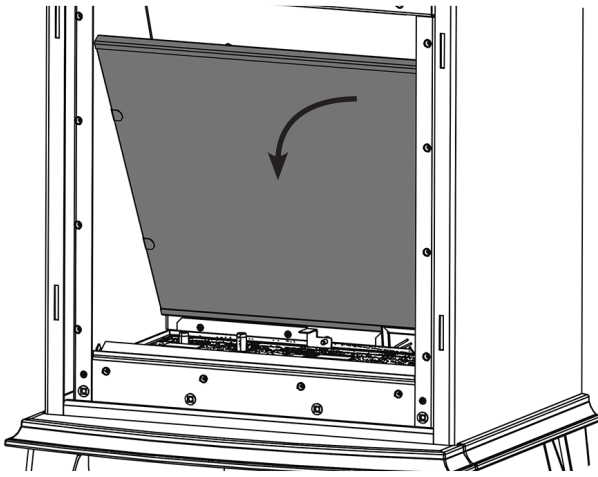
## BAFFLE & LINERS

The baffle must be removed before the liners can be taken out of the appliance.

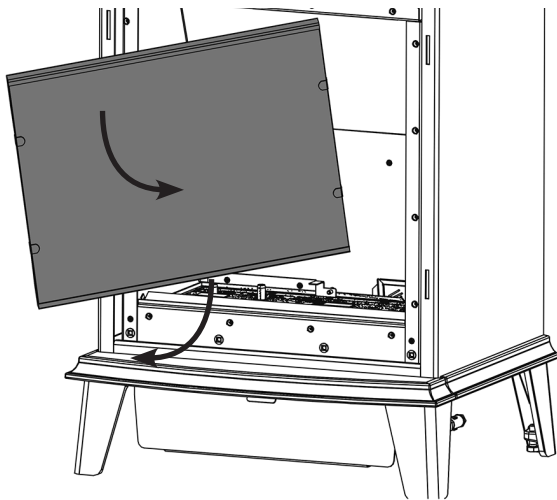
### BAFFLE



6

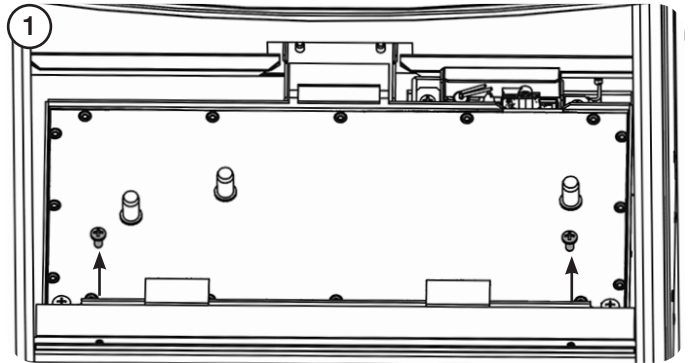


7

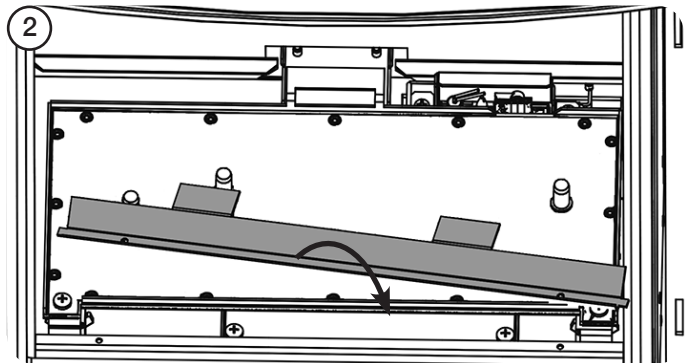


MAIN BURNER

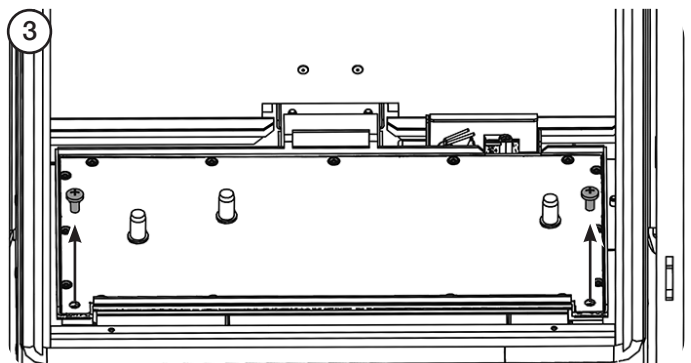
1



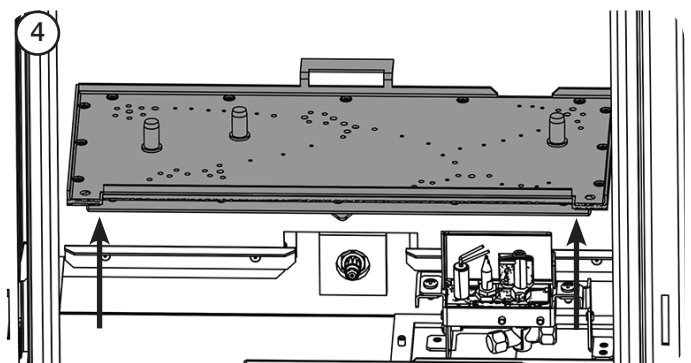
2

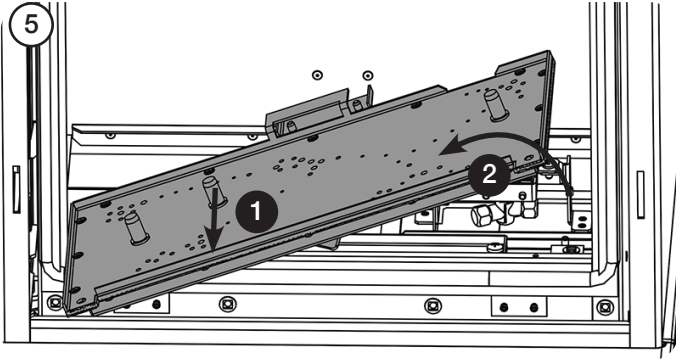


3



4

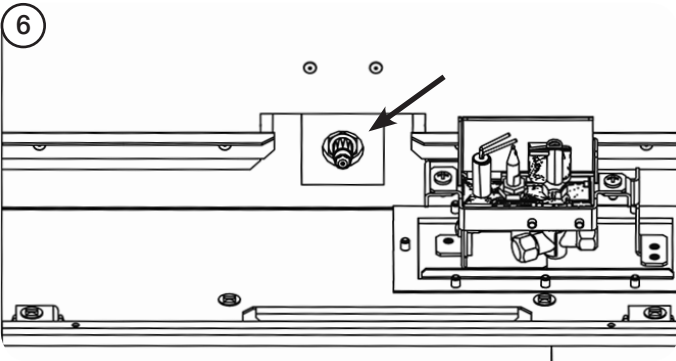




Replace in reverse order.

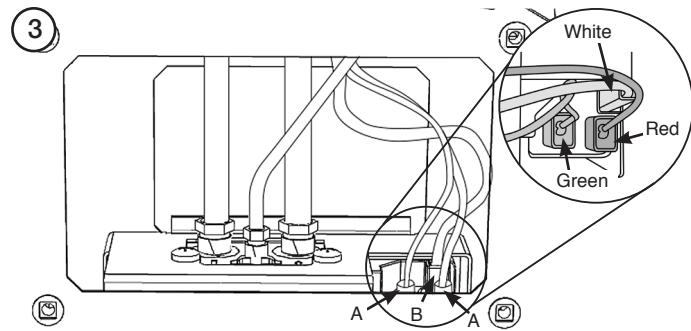
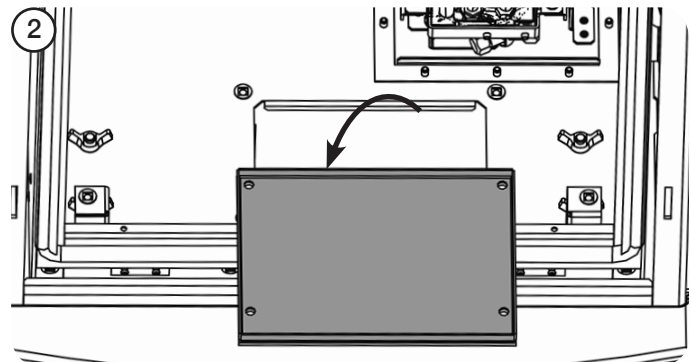
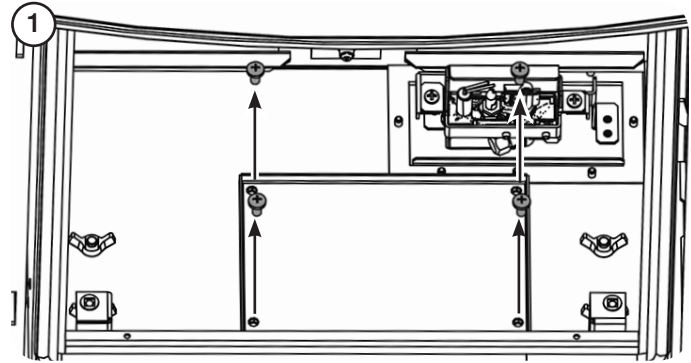


**IMPORTANT: ENSURE THE BURNER ENGAGES WITH THE INJECTOR AT THE BASE OF THE FIREBOX.**

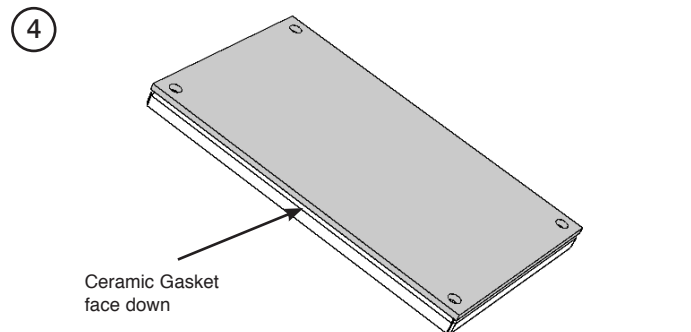


## CONTROL ASSEMBLY & SERVICE HATCH

**i** It is not necessary to remove the complete control assembly to service or replace parts of this appliance. The following sections will detail how to individually remove and replace each element.



**i** Reposition the service hatch and tighten the 4 screws.



## ODS PILOT UNIT



**IMPORTANT: UNDER THE TERMS OF THE EXTENDED WARRANTY IT WILL BE COMPULSORY TO CHANGE THE COMPLETE PILOT UNIT ON THIS APPLIANCE IN YEARS 2 AND 4.**

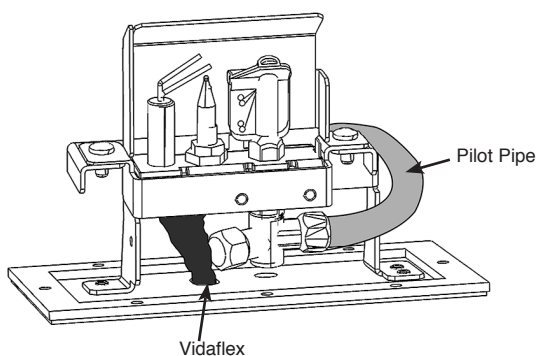
Note: The pilot unit on the appliance is a non serviceable unit due to the complex nature of its manufacture.

Replacement of the complete unit must be carried out when one of the following items becomes faulty:

- Pilot injector
- Ignition electrode
- Thermocouple leads
- Ignition Lead

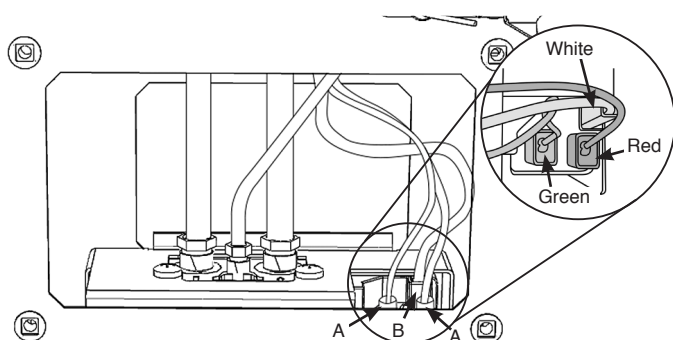
Remove the Main Burner and service hatch.

Undo the pilot pipe from the pilot unit



Unplug the red and green thermocouple connections (A) and the white ignition lead (B) from the gas valve.

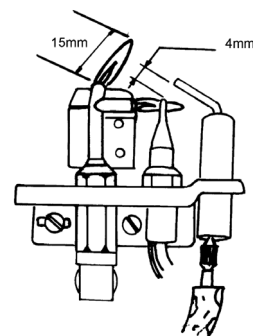
NOTE: Ensure the correct orientation when replacing.



Gently withdraw the leads with Vidaflex through the base of the firebox.

**Note: Ensure that the Vidaflex is replaced when refitting the new pilot unit.**

Replace with a new pilot assembly and check the spark gap.



NOTE: Ensure the correct orientation when replacing.

After reassembly check for gas soundness and carry out a functional check.

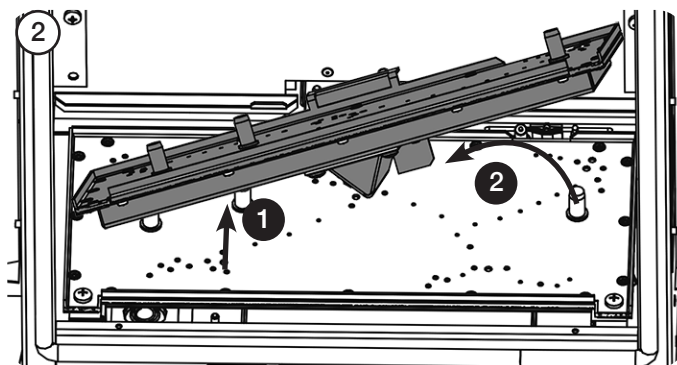
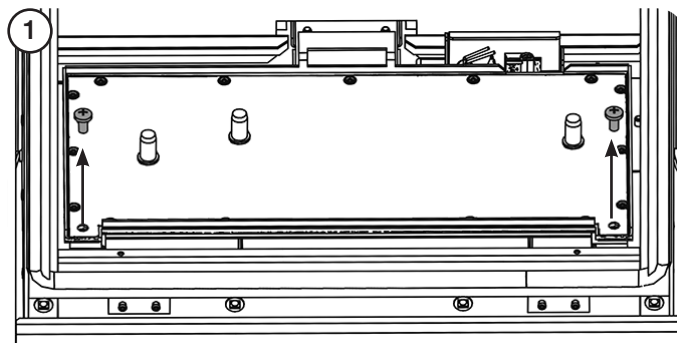
## IGNITION LEAD

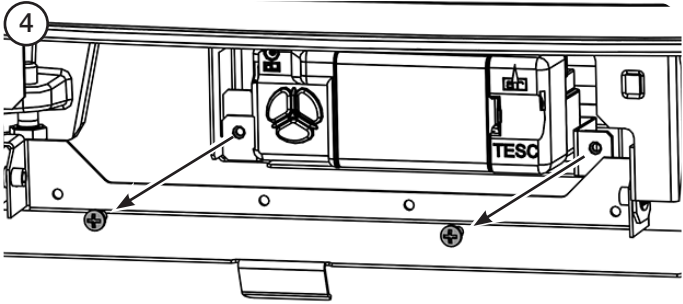
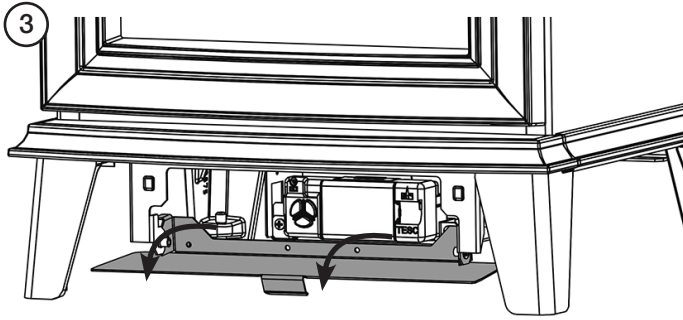
The Ignition Lead used on this appliance can not be replaced individually. If a new lead is required it will be necessary to change the Pilot Unit.

## GAS VALVE



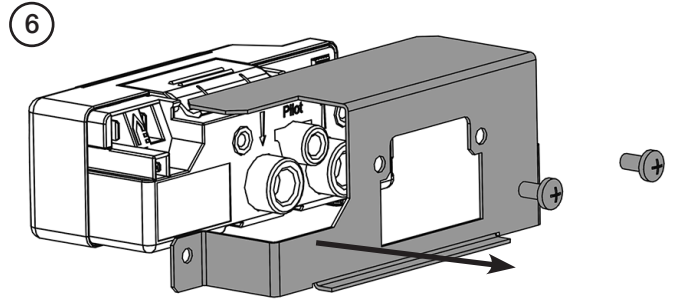
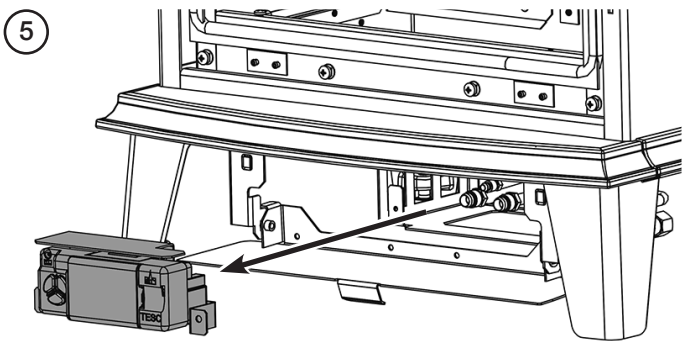
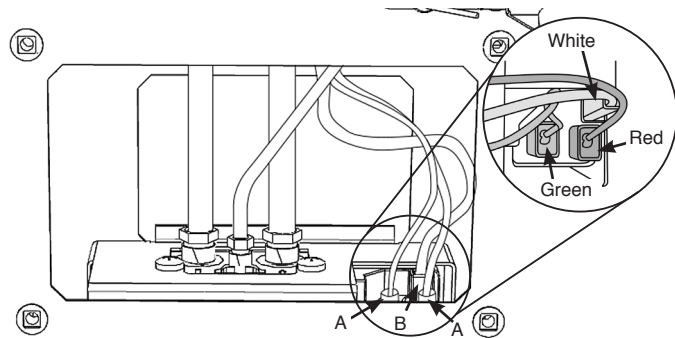
**IMPORTANT: TURN OFF THE GAS SUPPLY AT THE ISOLATION DEVICE.**





Unplug the red and green thermocouple connections (A) and the white ignition lead (B) from the gas valve.

NOTE: Ensure the correct orientation when replacing.



Replace in reverse order.

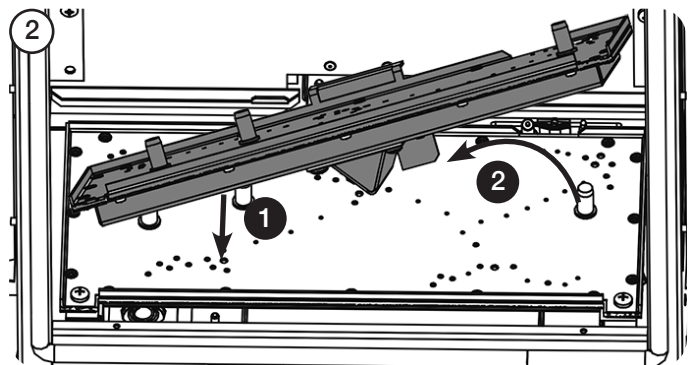
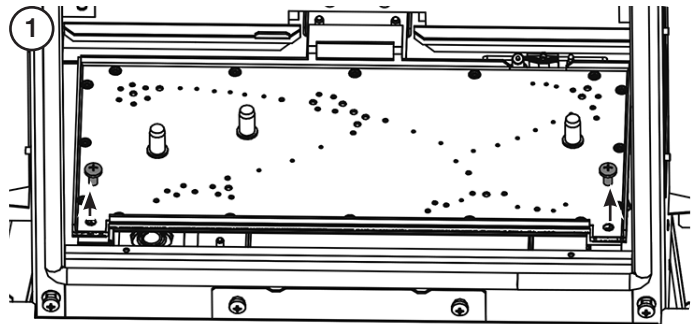
Check all joints for gas leaks and check operation of the thermocouple and ignition lead.

### MAGNETIC SAFETY VALVE

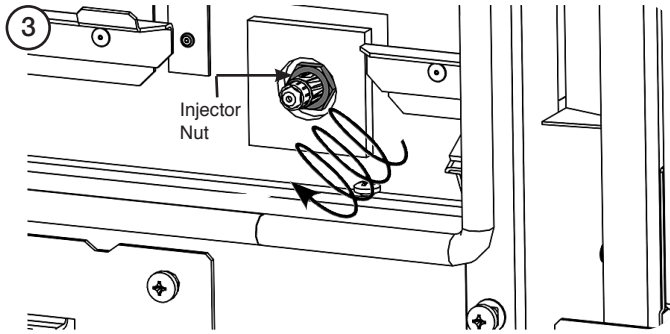
The Magnetic Safety Valve used on this appliance is a non serviceable part of the Control Valve and will require complete replacement.

### MAIN INJECTOR

**IMPORTANT: TURN OFF THE GAS SUPPLY AT THE ISOLATION DEVICE.**







Extract the injector with the feed pipe from beneath the appliance.

Holding the injector with a spanner:

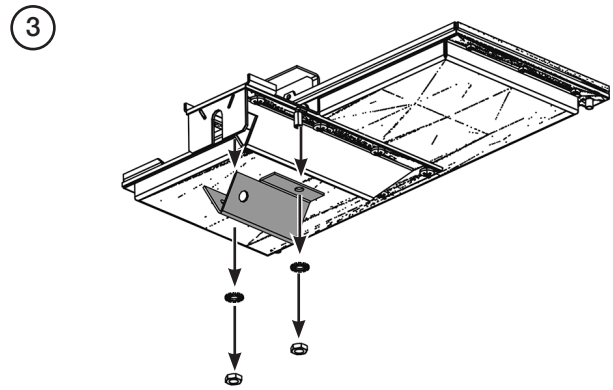
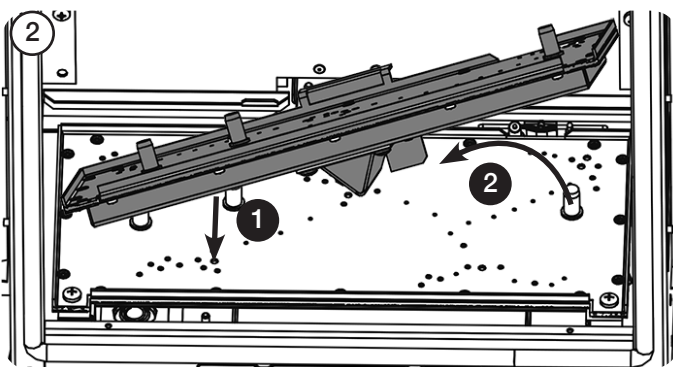
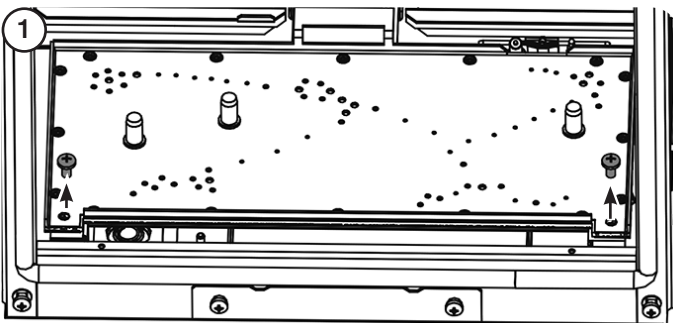
- Undo the feed pipe. **Note the orientation of the Injector.**
- Re-assemble in reverse order.

Turn on the gas supply and check for leaks.

## PRIMARY AERATION PLATE

**i** **NOTE: Not all models have aeration plates. Please refer to the Technical Specification.**

**!** **IMPORTANT: TURN OFF THE GAS SUPPLY AT THE ISOLATION DEVICE.**



Replace with the correct size plate and secure the 2 nuts. Ensure that the lower edge of the plate is located over the venturi flange.

## CHANGING BETWEEN GAS TYPES

A kit of parts is available for this - Contact your Gazco retailer for further information.

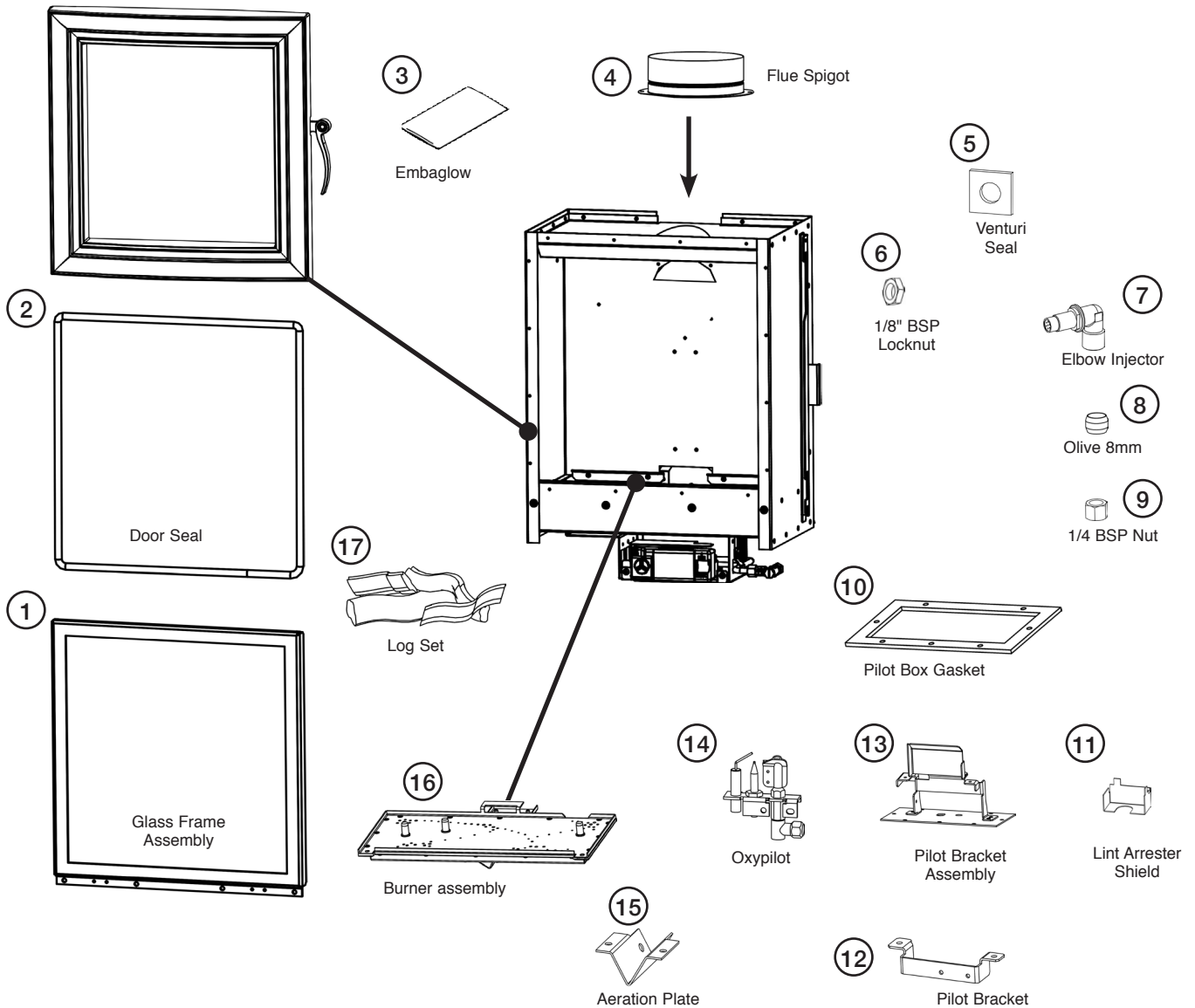
It will be necessary to replace the following components:

- Burner
- Injector
- Pilot Injector
- Gas Valve

Always quote the Model number and Serial number when ordering any spare parts.



## SPARES LIST - MAIN ASSEMBLY

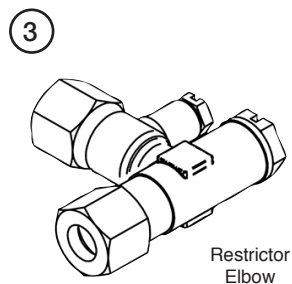
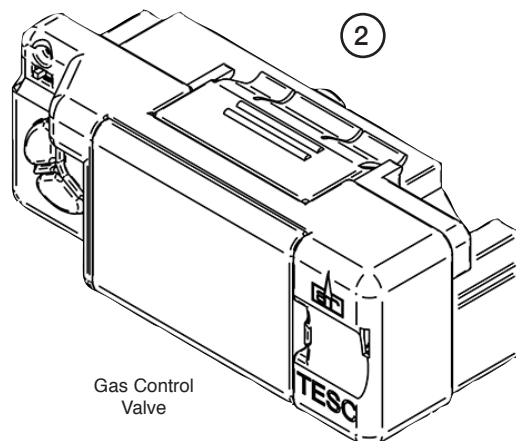
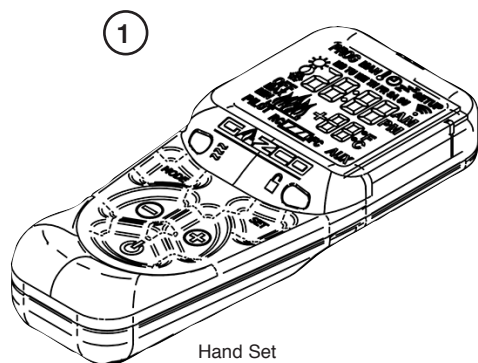


GAS TYPE	1	2	3	4	5	6	7	8	9	10
LPG	GZ13410	FA0725	G38471	MEC0033	FA0171	FA0241	IN0052	FA0011	FA0029	CE2083
Nat. Gas							IN0023			


GAS TYPE	11	12	13	14	15	16	17
LPG	PI0056	G315695	G316075	PI0092	GZ10410	GZ13748	CE1755
Nat. Gas				PI0090	GZ15859	GZ13746	

**i** Due to continual technical improvements please check online or with your Gazco retailer for the most up to date parts lists.  
 Only use Genuine Gazco spares when servicing your appliance.  
 All of our essential spare parts and consumable items are available to purchase from our webshop at [www.gazcospares.com](http://www.gazcospares.com).

SPARES LIST - CONTROL ASSEMBLY



No.	PRODUCT CODE
1	EL0807
2	GC0183K
3	GC0095

 Due to continual technical improvements please check online or with your Gazco retailer for the most up to date parts lists.  
 Only use Genuine Gazco spares when servicing your appliance.  
 All of our essential spare parts and consumable items are available to purchase from our webshop at [www.gazcospares.com](http://www.gazcospares.com).

## INFORMATION REQUIREMENT FOR GASEOUS FUEL LOCAL SPACE HEATER

Model	Chesterfield CF NG	Chesterfield CF LPG	Sheraton CF NG	Sheraton CF LPG
<b>Fuel</b>	Space Heating Emissions (NOx) - mg / kWh <sub>input</sub> (GCV)	130	130	130

<b>Heat Output</b>	Nominal Heat Output - $P_{nom}$	4.0kW	3.8kW	4.0kW	3.8kW
	Minimum Heat Output (indicative) - $P_{min}$	1.6kW	1.6kW	1.6kW	1.6kW

<b>Auxiliary Electricity Consumption</b>	At Nominal Heat Output - $e_{l,max}$	N/A	N/A	N/A	N/A
	At Minimum Heat Output - $e_{l,min}$	N/A	N/A	N/A	N/A
	In Standby Mode - $e_{l,sb}$	N/A	N/A	N/A	N/A

<b>Useful Efficiency</b>	Useful Efficiency at nominal heat output - $\eta_{th,nom}$	76.0%	76.0%	76.0%	76.0%
	Useful Efficiency at minimum heat output (indicative) - $\eta_{th,min}$	61.8%	61.8%	61.8%	61.8%

<b>Pilot Flame Power requirement</b>	Permanent Pilot Flame Power requirement (if applicable) - $P_{pilot}$	N/A	N/A	N/A	N/A
--------------------------------------	---	-----	-----	-----	-----

Type of heat output/room temperature control				
Electronic room temperature control + day timer	Yes	Yes	Yes	Yes

Other control options (multiple selections possible)				
Room temperature control, with presence detection	No	No	No	No
Room temperature control, with open window detection	No	No	No	No
With distance control option	No	No	No	No
With adaptive start control	No	No	No	No
With working time limitation	No	No	No	No
With black bulb sensor	No	No	No	No

<b>Energy Efficiency Index</b>	72.0%	72.0%	72.0%	72.0%
<b>Energy Efficiency Class</b>	D	D	D	D

<b>Contact:</b>	Gazco Ltd, Osprey Road, Sowton Industrial Estate, Exeter, EX2 7JG
-----------------	---

**SERVICE RECORDS**

**1ST SERVICE**

Date of Service.....  
 Next Service Due .....  
 Signed .....  
 Retailer's Stamp/GasSafe Registration Number

**2ND SERVICE**

Date of Service.....  
 Next Service Due .....  
 Signed .....  
 Retailer's Stamp/GasSafe Registration Number

**3RD SERVICE**

Date of Service.....  
 Next Service Due .....  
 Signed .....  
 Retailer's Stamp/GasSafe Registration Number

**4TH SERVICE**

Date of Service.....  
 Next Service Due .....  
 Signed .....  
 Retailer's Stamp/GasSafe Registration Number

**5TH SERVICE**

Date of Service.....  
 Next Service Due .....  
 Signed .....  
 Retailer's Stamp/GasSafe Registration Number

**6TH SERVICE**

Date of Service.....  
 Next Service Due .....  
 Signed .....  
 Retailer's Stamp/GasSafe Registration Number

**7TH SERVICE**

Date of Service.....  
 Next Service Due .....  
 Signed .....  
 Retailer's Stamp/GasSafe Registration Number

**8TH SERVICE**

Date of Service.....  
 Next Due .....  
 Signed .....  
 Retailer's Stamp/Gas Safe Registration Number

**9TH SERVICE**

Date of Service.....  
 Next Service Due .....  
 Signed .....  
 Retailer's Stamp/GasSafe Registration Number

**10TH SERVICE**

Date of Service.....  
 Next Service Due .....  
 Signed .....  
 Retailer's Stamp/GasSafe Registration Number







**FOR ENQUIRIES IN THE U.K (EXCLUDING NI):**

**Gazco Ltd, Osprey Road, Sowton Industrial Estate, Exeter, Devon, England EX2 7JG**

**Tel: (01392) 261900 E-mail: [info@gazco.com](mailto:info@gazco.com)**

**FOR ENQUIRIES IN EUROPE (INCLUDING NI):**

**Stovax Heating Group (NI) Ltd (Comp reg NI675194), 40 Linenhall Street, Belfast, BT2 8BA**

**DX 400 NR Belfast Tel: +44 (0)1392 261990 E-mail: [northernireland@gazco.com](mailto:northernireland@gazco.com)**

