



# Stockton 5 Wide

## Freestanding Stove



## Installation Instructions

### IMPORTANT

THE OUTER CASING, FRONT AND GLASS PANEL BECOME EXTREMELY HOT DURING OPERATION AND WILL RESULT IN SERIOUS INJURY AND BURNS IF TOUCHED. IT IS THEREFORE RECOMMENDED THAT A FIREGUARD COMPLYING WITH BS 8423 (LATEST EDITION) IS USED IN THE PRESENCE OF YOUNG CHILDREN, THE ELDERLY OR INFIRM.

ALL LOCAL REGULATIONS, INCLUDING THOSE REFERRING TO NATIONAL AND EUROPEAN STANDARDS, NEED TO BE COMPLIED WITH WHEN INSTALLING THE APPLIANCE.

Do not attempt to burn rubbish in this appliance. Please read these Instructions carefully before installation or use.

Keep them in a safe place for future reference and when servicing the fire.

The commissioning sheet found on page 3 of these instructions should be completed by the Installer.

## CONTENTS

### Stockton 5 Wide Multi-fuel Stove Range

Covering the following models:

MODEL	1 DOOR	2 DOOR
<b>Stockton 5 Wide</b>	721-772	721-789

<b>Installation Instructions</b> .....	<b>4</b>
Essential Information .....	4
Dimensions .....	6
Distance to Combustibles .....	8
Pre-installation .....	12
Installation .....	17
Commissioning .....	21
<b>Maintenance &amp; Servicing</b> .....	<b>22</b>
Servicing .....	22
Legal Requirements .....	27
Information Requirement - Solid Fuel .....	29
Exploded Parts .....	30
Service Records .....	33

## APPLIANCE COMMISSIONING SHEET

To assist us in any guarantee claim please complete the following information:-

### Dealer appliance was purchased from:

Name:

Address:

Telephone number:

### Essential information - MUST be completed:

Date Installed:

Model Description:

Serial Number:

### Installation Engineer:

Company Name:

Address:

Telephone number:

### Commissioning Checks - to be completed and signed:

Is flue system correct for the appliance:	YES <input type="checkbox"/>	NO <input type="checkbox"/>
Flue swept and soundness test complete:	YES <input type="checkbox"/>	NO <input type="checkbox"/>
Smoke test completed on installed appliance	YES <input type="checkbox"/>	NO <input type="checkbox"/>
Spillage test completed	YES <input type="checkbox"/>	NO <input type="checkbox"/>
Use of appliance and operation of controls explained	YES <input type="checkbox"/>	NO <input type="checkbox"/>
Clearance to combustible materials checked	YES <input type="checkbox"/>	NO <input type="checkbox"/>
Instruction book handed to customer	YES <input type="checkbox"/>	NO <input type="checkbox"/>
CO Alarm Fitted	YES <input type="checkbox"/>	NO <input type="checkbox"/>
Flue draught Reading (Pa)	HOT <input type="text"/>	COLD <input type="text"/>

Signature: ..... Print Name: .....

## ESSENTIAL INFORMATION - MULTI-FUEL STOVE

<b>GENERAL</b>	<b>Model:</b>		<b>Stockton 5 Wide</b>	
	Nominal Heat Output	Wood	kW	5.0
		Solid Fuel	kW	5.0
	Efficiency	Wood	%	80.2
		Solid Fuel	%	78.4
	CO @ 13% O <sub>2</sub>	Wood	%	0.12
		Solid Fuel	%	0.09
Weight		Kg	87	
Recommended Fuels	Wood	Seasoned Wood (less than 20% moisture content)		
	Solid Fuel	Briquette smokeless fuel suitable for closed appliances (Ancit-Phuracite-Maxibrite-Taybrite-Homefire Ovals)		

**As tested to the requirements of EN 13240 for intermittent operation**

<b>FLUES</b>	Flue/Chimney Size	Without flue liner Round (Diameter)	mm	±153
			inch	6
		Without flue liner system (Square)	mm	135
			inch	5½
	With Liner of Factory made system (diameter) installed in accordance with manufacturers instructions	mm	128	
		inch	5	
	Flue/Chimney minimum height**	All products **must be 4.5m from the hearth to the top of the flue, with no horizontal sections and a maximum of 4 bends. Bends must have angles of less than 45 degrees from the vertical.	m	4.5
			feet	15
	Flue Draught	Min	Pa	10
		Nominal		12
Max		20		
Flue Gas Mass Flow	Wood	g/s	4.2	
	Solid Fuel	g/s	3.5	
Average Flue Gas Temperature	Wood	°C	282	
	Solid Fuel	°C	327	
Flue Outlet Size (Top or Rear Option)	All	mm	128	
		inch	5	

**European Min Spec for Chimney Flue - T400 N2 D 3 G50**

<b>VENTILATION</b>	<b>A) Traditionally Built Homes</b>		<b>B) Modern Construction Homes</b>	
	• Where leakage is greater than 5m <sup>3</sup> /hour/m <sup>2</sup> .		• Where leakage is less than 5m <sup>3</sup> /hour/m <sup>2</sup> .	
	• Ventilation normally required = 550mm <sup>2</sup> per kW output over 5kW		• Ventilation normally required = 550mm <sup>2</sup> per kW	
	<b>A</b>	Additional Ventilation	mm <sup>2</sup>	-
			cm <sup>2</sup>	-
			in <sup>2</sup>	-
	<b>B</b>	Additional Ventilation	mm <sup>2</sup>	2750
cm <sup>2</sup>			27.5	
in <sup>2</sup>			4.3	

For full technical details on ventilation see Technical Appendix on Page 25

# Installation

## REGISTERED PROFESSIONAL

Before installation and/or use of this appliance please read these instructions fully and carefully to ensure that you have fully understood their requirements.

The appliance must be fitted by a registered installer, or approved by your local building control officer.

## STRUCTURAL SUPPORT

If installing on a wooden floor check that the floor joists are strong enough to bear the weight of the insert, chimney and construction parts.

## HEARTH

See page 9 for hearth dimensions.

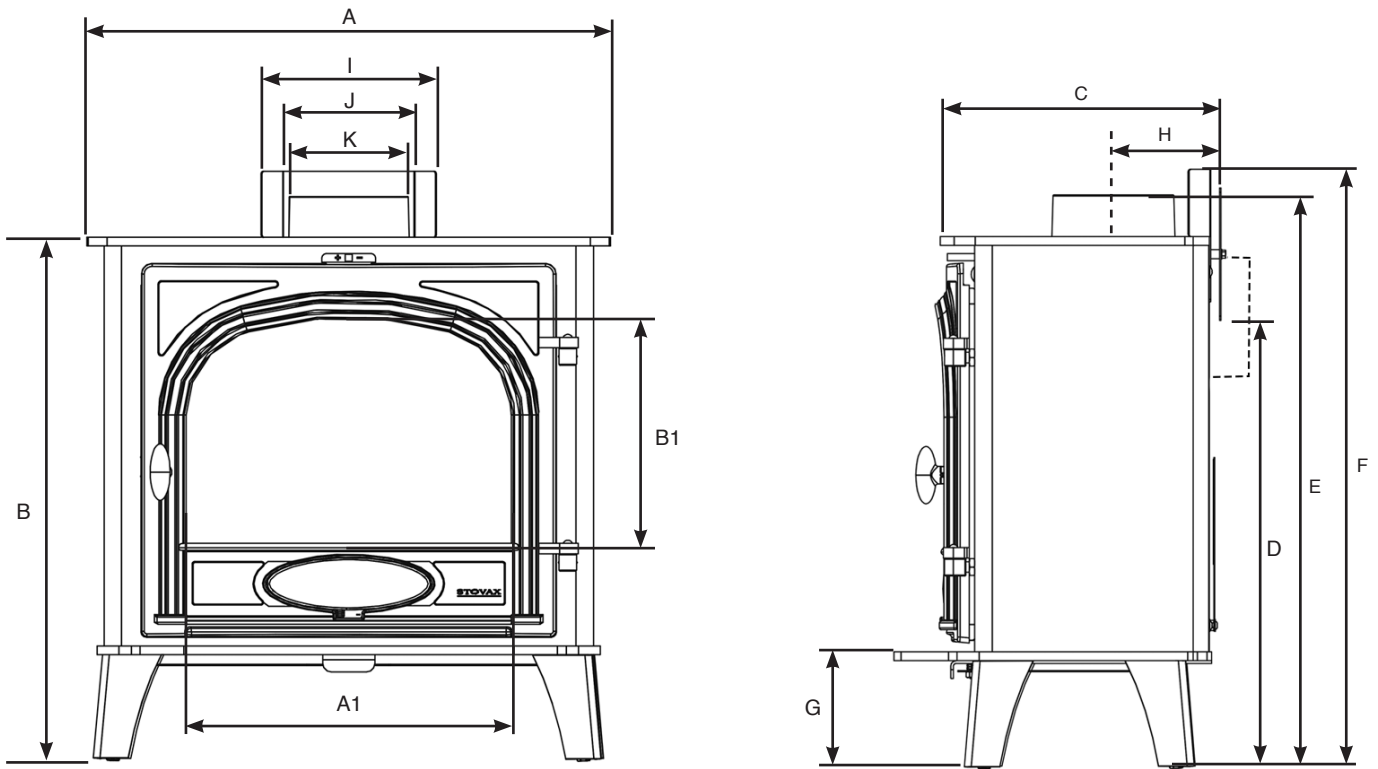
## FINAL INSPECTION OF THE INSTALLATION

When it has been installed, the appliance must be commissioned in accordance with standards and practices to ensure full working order and a correct handover given to the customer.

## COMBUSTION AIR SUPPLY

When the appliance is installed, it is essential to ensure adequate air is supplied to the room. Air can be provided indirectly via a vent in the outer wall or via a duct from the outside that connects to the sleeve on the underside of the insert. The required volume of combustion air is about 20 m<sup>3</sup>/hour.

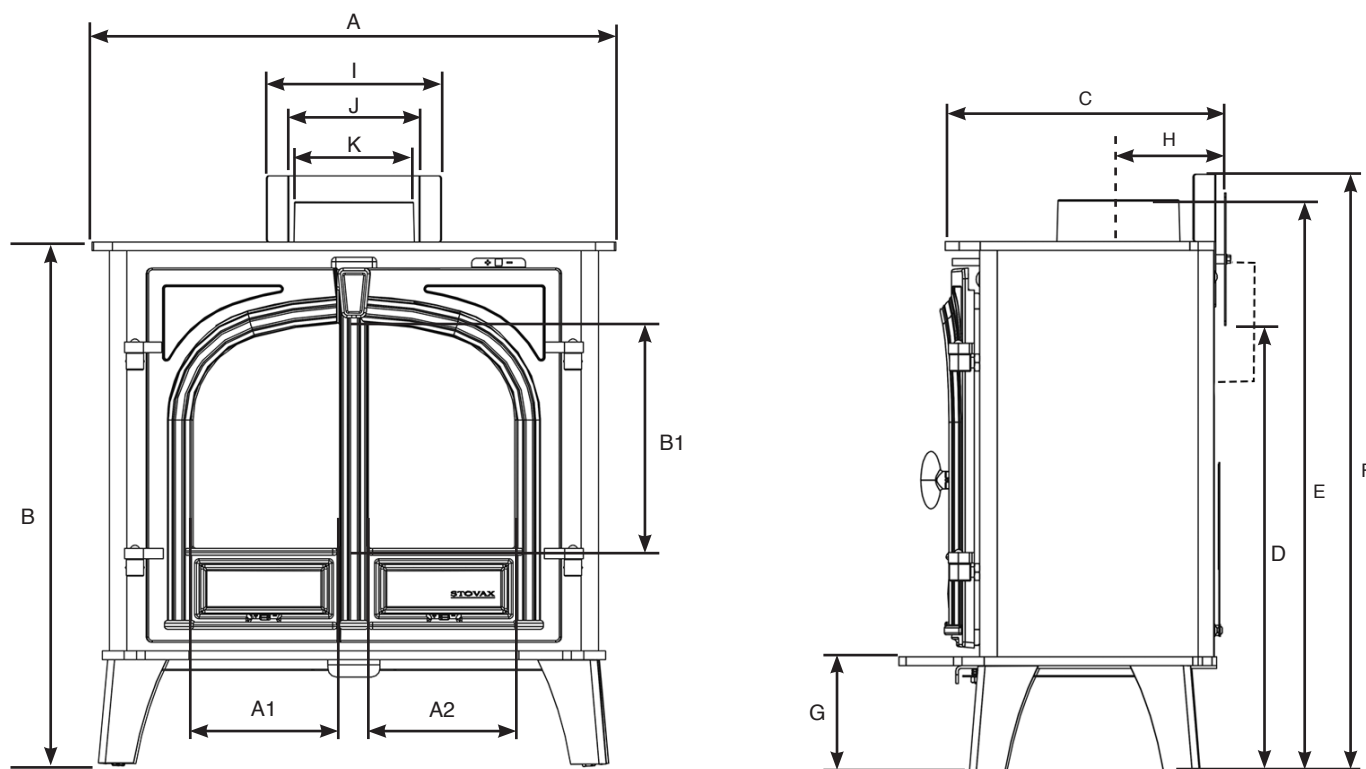
## STOCKTON DIMENSIONS - 1 DOOR



A	A1 (GLASS VIEWING AREA)	B	B1 (GLASS VIEWING AREA)	C	D	E	F	G	H	I	J	K
603	374	600	260	320	507	647	676	130	122	200	150	129

All dimensions in mm (25.4 mm = 1")

STOCKTON DIMENSIONS - 2 DOOR

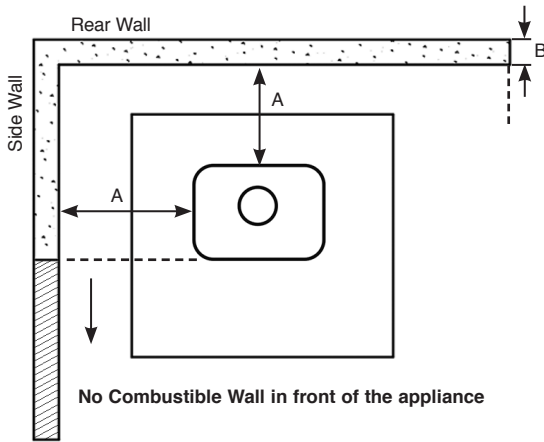


A	A1 (GLASS VIEWING AREA)	A2 (GLASS VIEWING AREA)	B	B1 (GLASS VIEWING AREA)	C	D	E	F	G	H	I	J	K
603	169	169	600	260	320	507	647	676	130	122	200	150	129

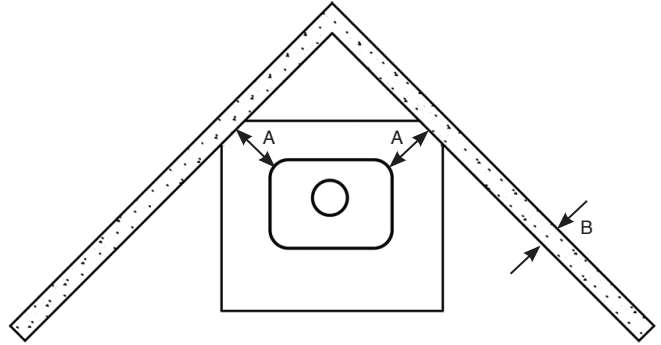
All dimensions in mm (25.4 mm = 1")

## CLEARANCE TO NON-COMBUSTIBLE MATERIAL

### PARALLEL POSITION CLEARANCES



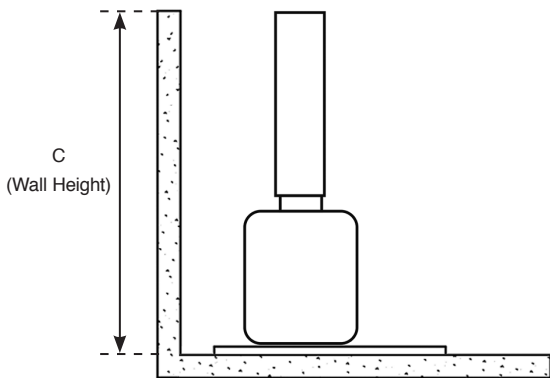
### CORNER POSITION CLEARANCES



DISTANCE TO NON-COMBUSTIBLE MATERIALS

Distance of Appliance to Wall (A)	Minimum Thickness of wall (B)	Minimum Height of Wall (C)
0mm - 50mm*	200mm	Height of appliance + 300mm OR 1200mm from the hearth (take largest dimension)
51mm - 300mm	75mm	
300mm+	No requirement	No requirement

### Height above appliance



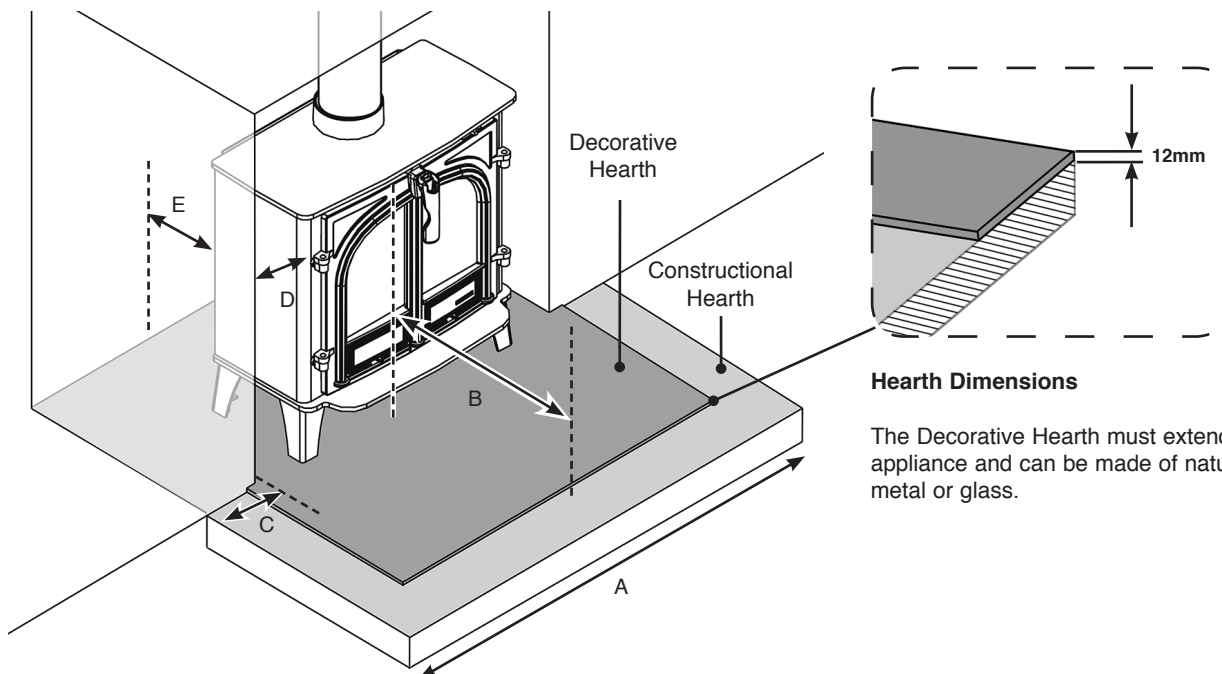
### HEARTH THICKNESS

These appliances are suitable to stand on a 12mm decorative hearth.



**CLEARANCE TO COMBUSTIBLE MATERIAL**

**ENCLOSED SETTING**



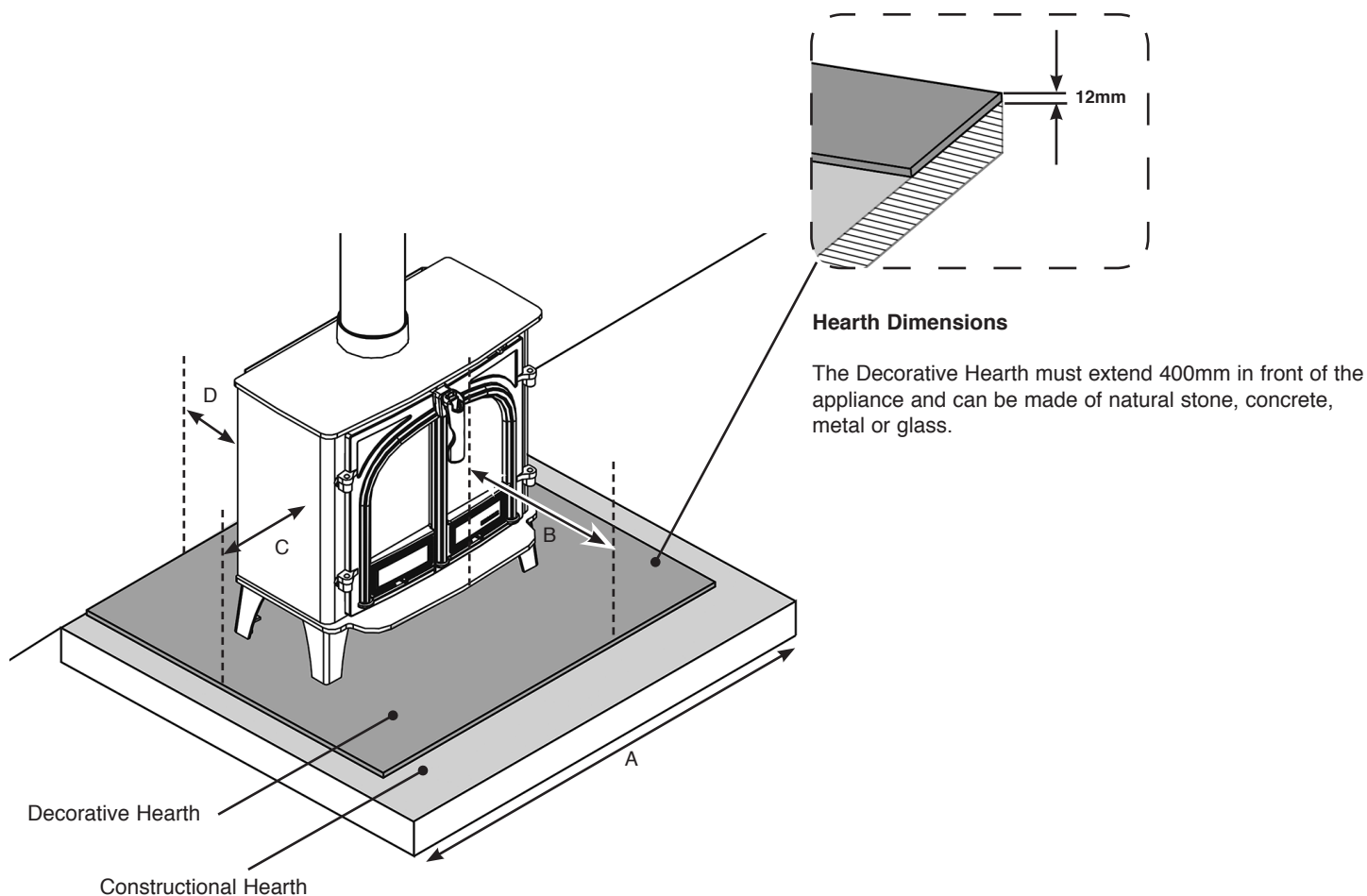
**Hearth Dimensions**

The Decorative Hearth must extend 400mm in front of the appliance and can be made of natural stone, concrete, metal or glass.

DIMENSION	A	B	C	D	E	
					Fitted With Heat Shield	Standard Clearance
<b>Stockton 5 Wide</b>	1703	400	150	400	300	600

CLEARANCE TO COMBUSTIBLE MATERIAL

OPEN SETTING

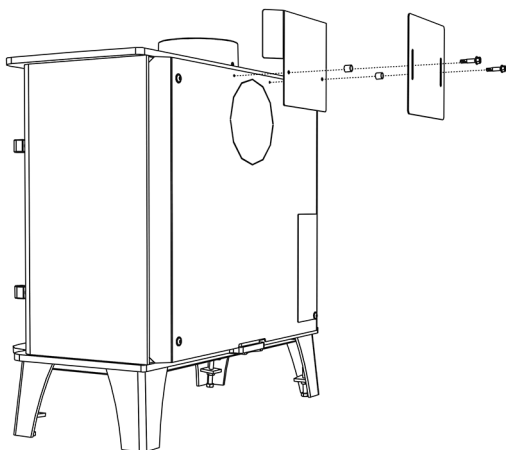


DIMENSION	A	B	C	D	
				Fitted With Heat Shield	Standard Clearance
<b>Stockton 5 Wide</b>	1403	400	400	300	600

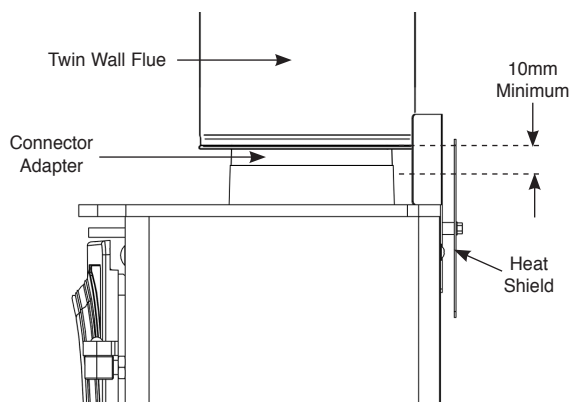
## TWIN WALL HEAT SHIELD (TWIN WALL INSTALLATIONS ONLY)



IF THE APPLIANCE IS TO BE INSTALLED IN A COMBUSTIBLE SETTING THE MINIMUM CLEARANCES CAN ONLY BE ACHIEVED USING A TWIN WALL FLUE SYSTEM AND HEAT SHIELD.



Align the Heat Shield on the slots to cover the gap between the Twin Wall and the Top Plate. The overlap must be at least 10mm.



### IMPORTANT

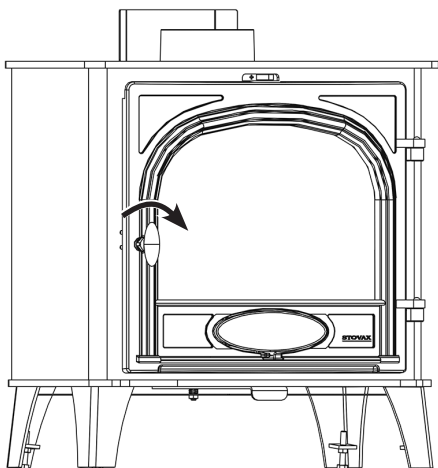
When installing the flue pipe, there must be no exposed single wall flue, & a minimum 10mm expansion gap must be left between the Twin Wall flue & the top face of the Top Plate.

PRE-INSTALLATION

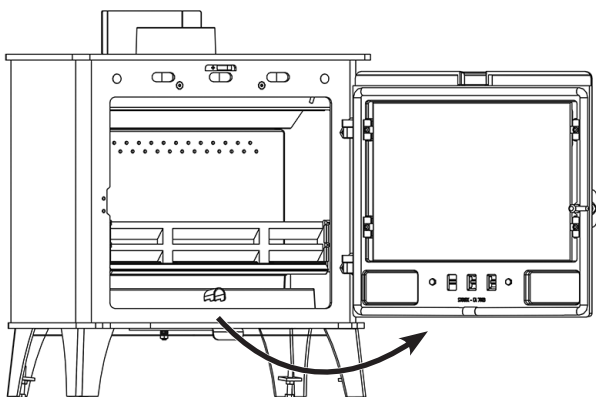
To make the installation of the appliance easier it is best to remove the internal components before installation.

REMOVING THE DOOR  
- SINGLE DOOR MODELS

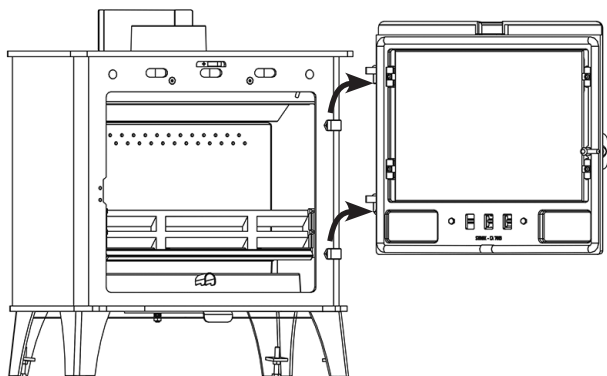
1



2

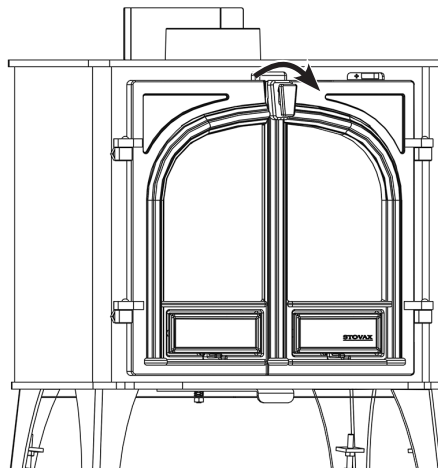


3

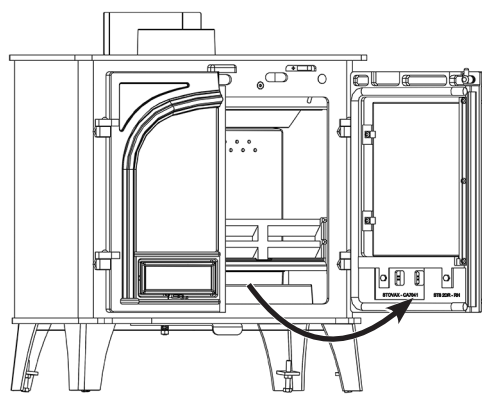


REMOVING THE DOOR  
- DOUBLE DOOR MODELS

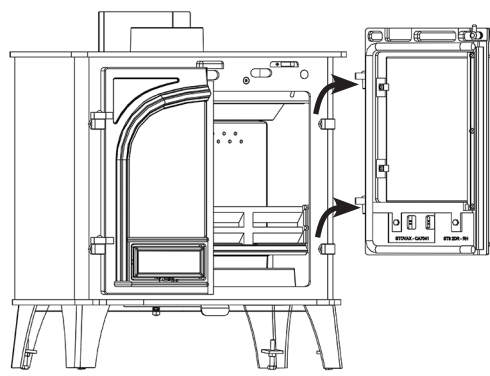
1



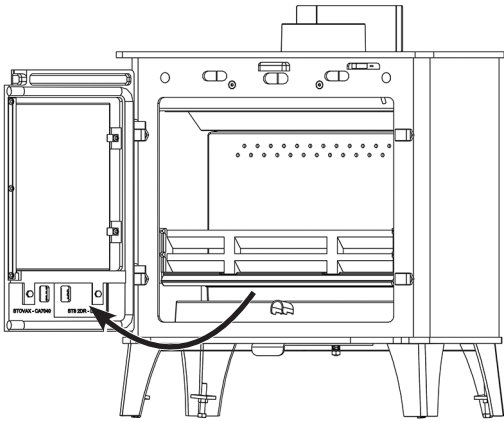
2



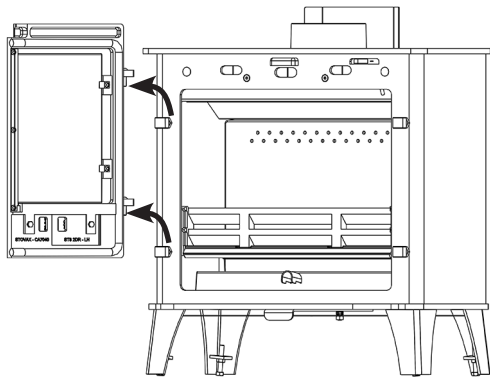
3



4

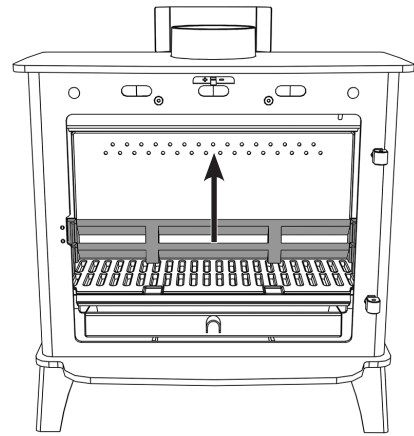


5

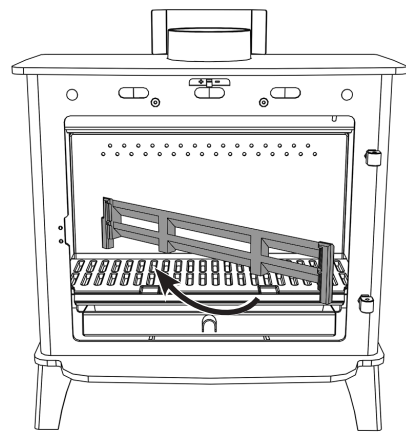


LOG GUARD

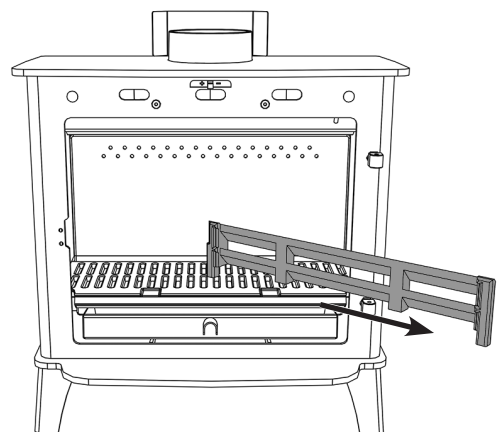
1



2



3



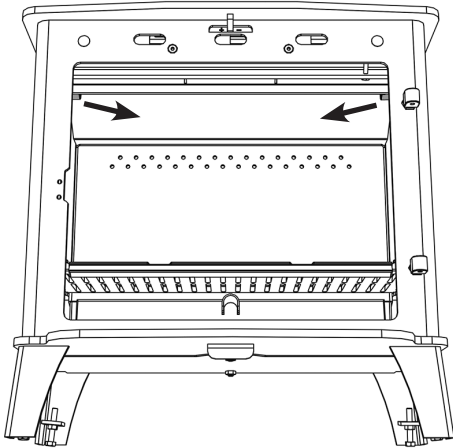
## BAFFLE

The appliance is fitted with a baffle in the top of the firebox to maintain efficient combustion.

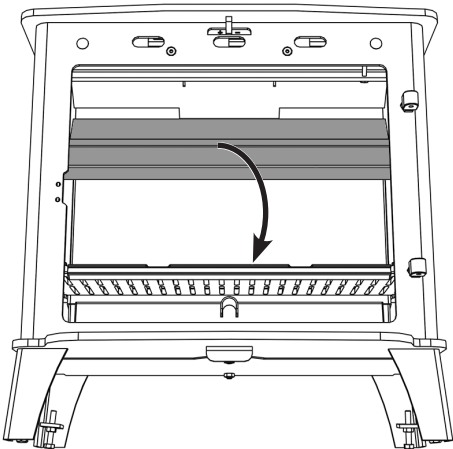


**ALLOW THE STOVE TO COOL FULLY BEFORE REMOVING THE BAFFLE SYSTEM.**

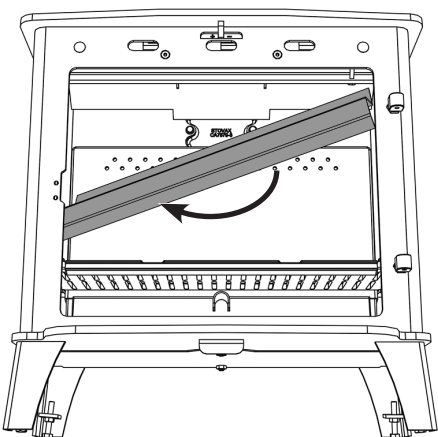
1



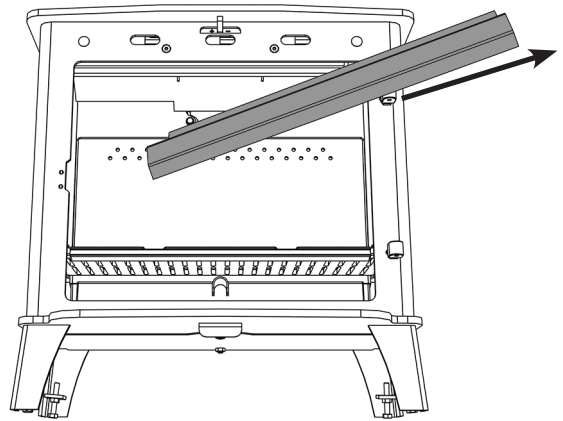
2



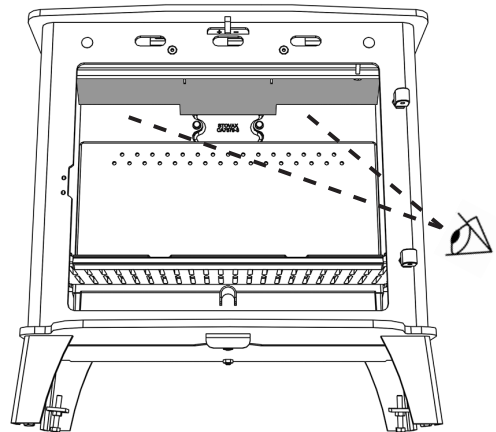
3



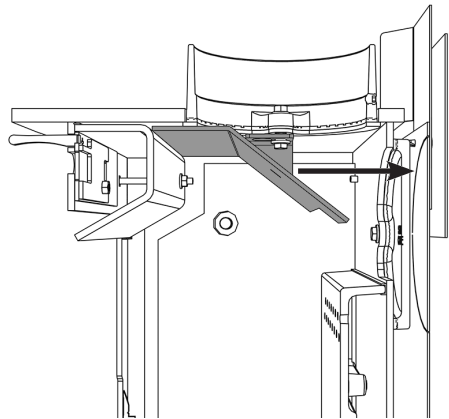
4



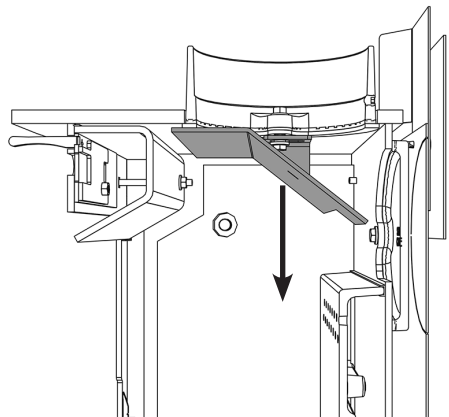
5



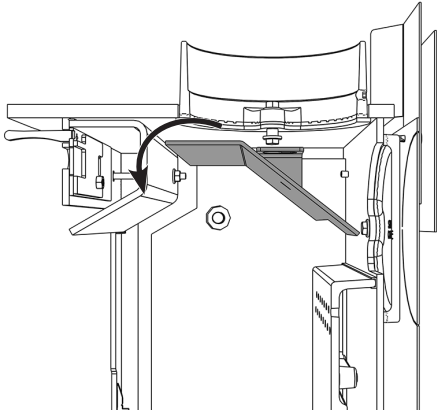
6



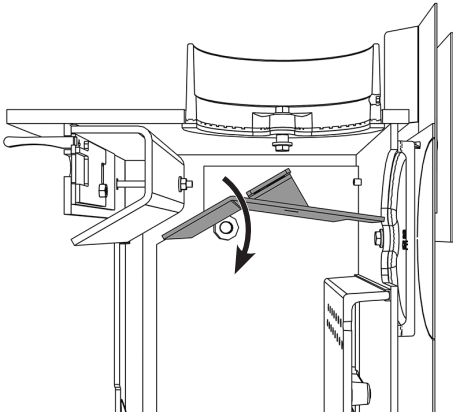
7



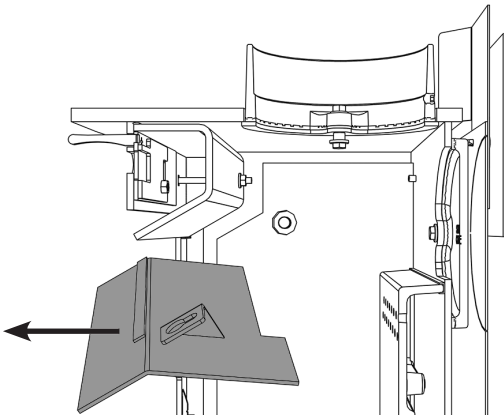
8



9

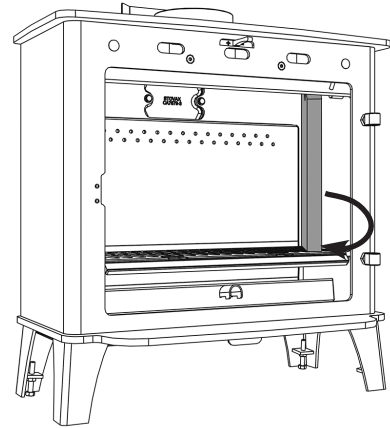


10

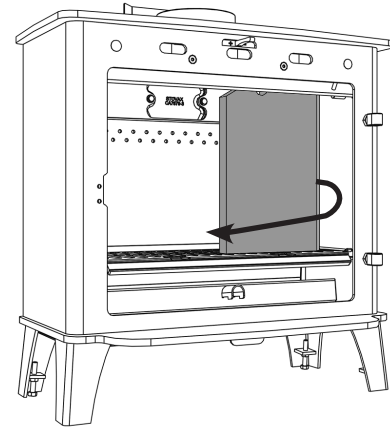


**FIREBRICKS**

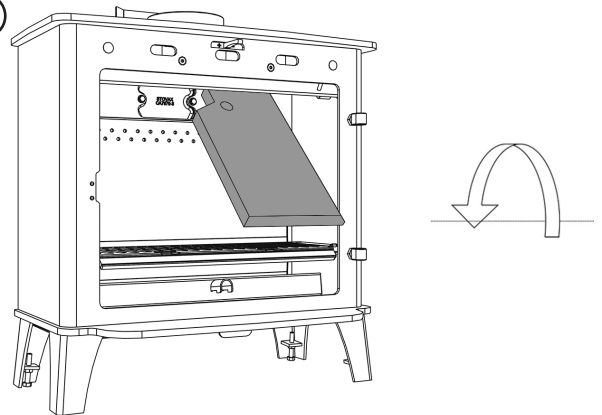
1



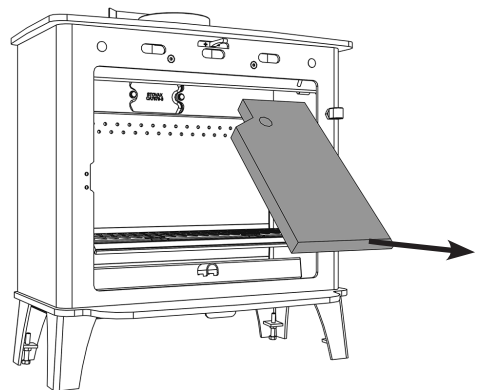
2



3

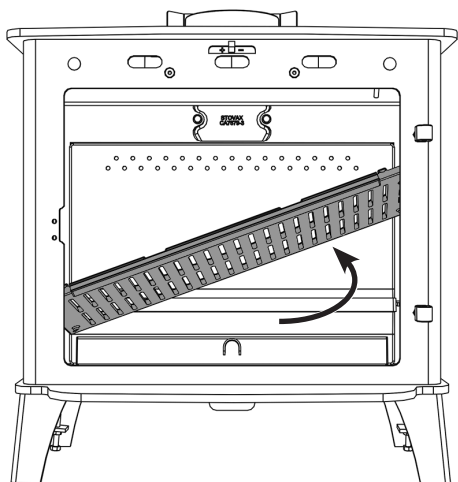


4

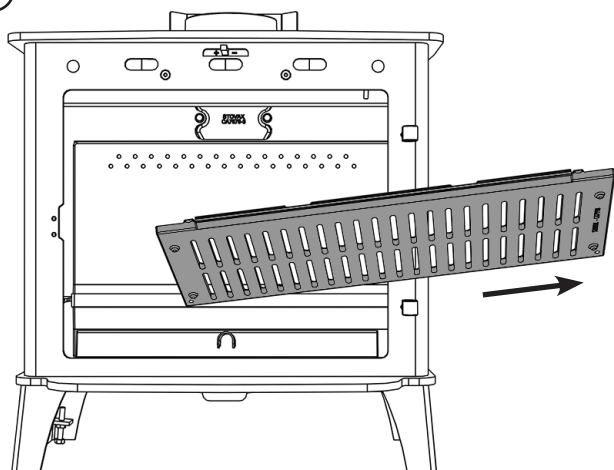


## FUEL BED

1

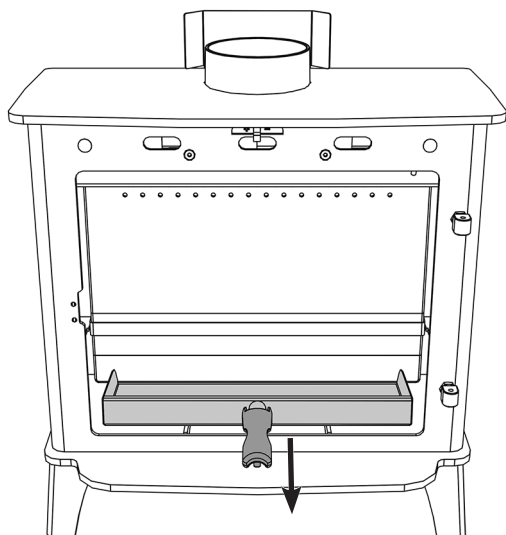


2



The Door Tool can be used to remove the Ash Pan.

3

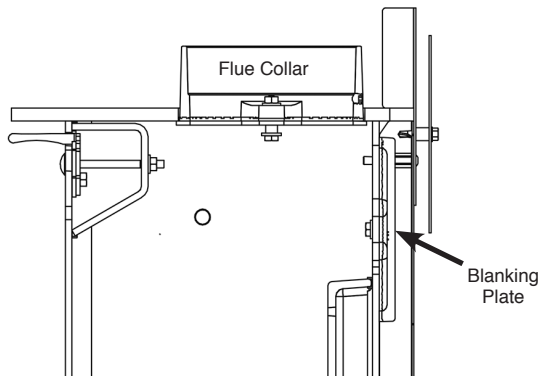




## INSTALLING THE APPLIANCE

Take care when installing the appliance. Careless handling and use of tools can damage the finish and/or area.

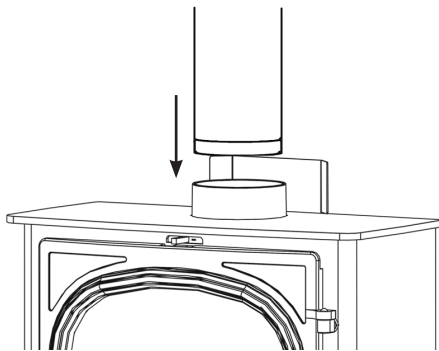
The appliance is factory set with the blanking plate fitted on the rear outlet.



### TOP FLUE INSTALLATION

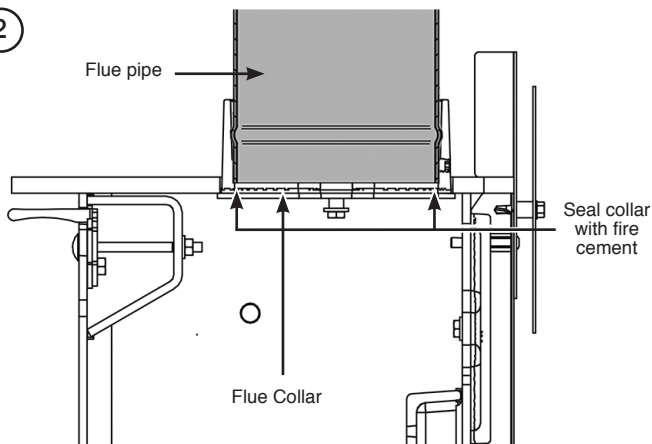
Seal the connecting joints.

①

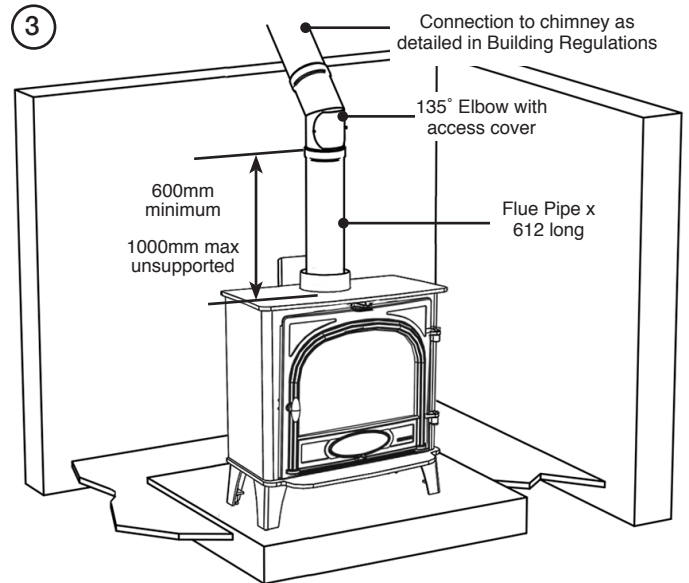


**i** The Flue must be installed in accordance with manufacturers instructions.

②



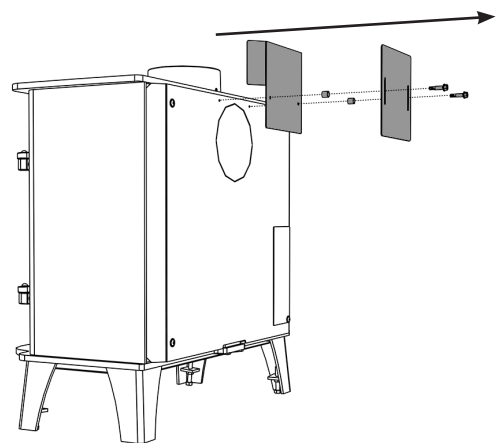
### A TYPICAL TOP FLUE PIPE INSTALLATION



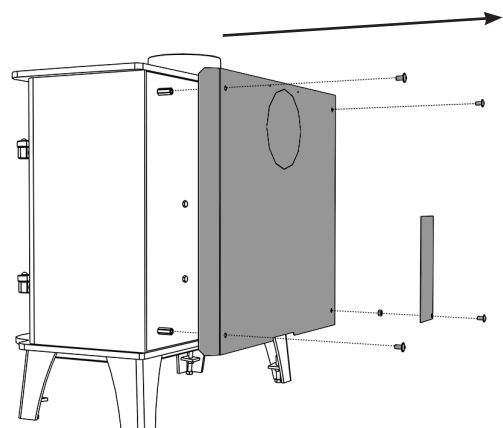
### REAR FLUE INSTALLATION

**i** The appliance is factory set with the blanking plate fitted on the rear outlet.

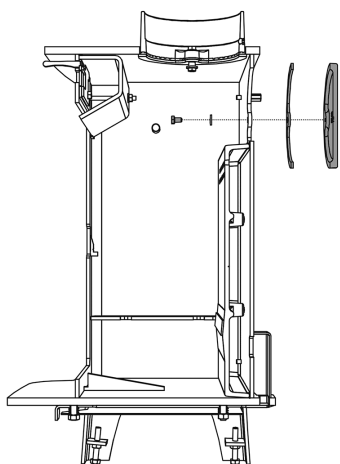
①



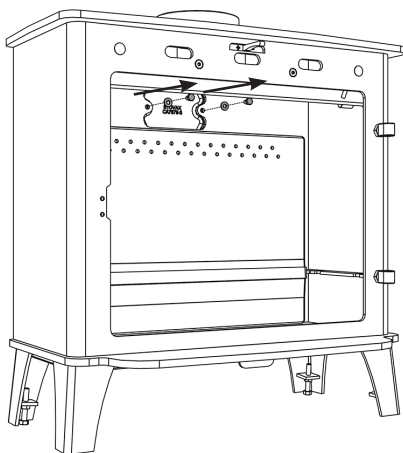
②



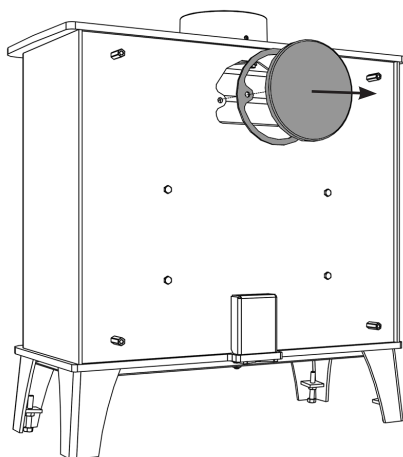
3a



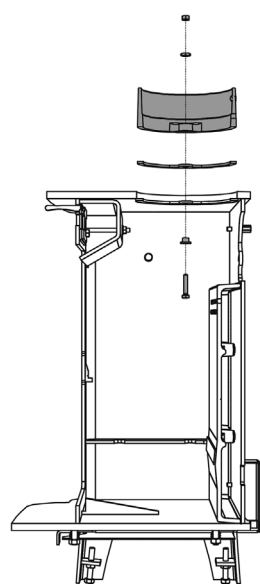
3b



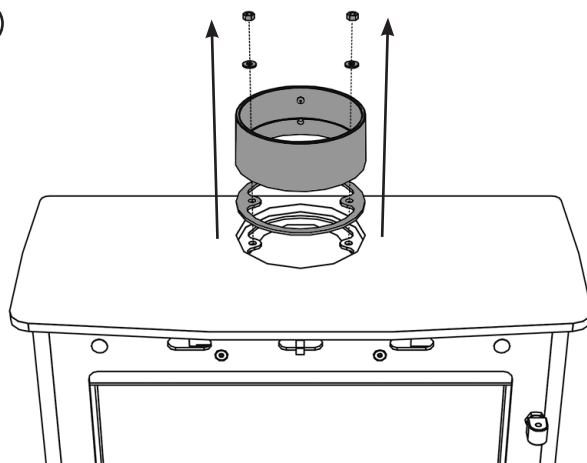
3c



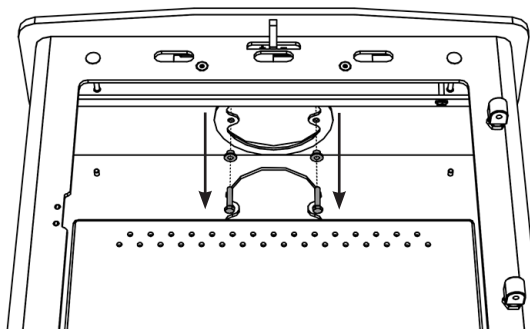
4a



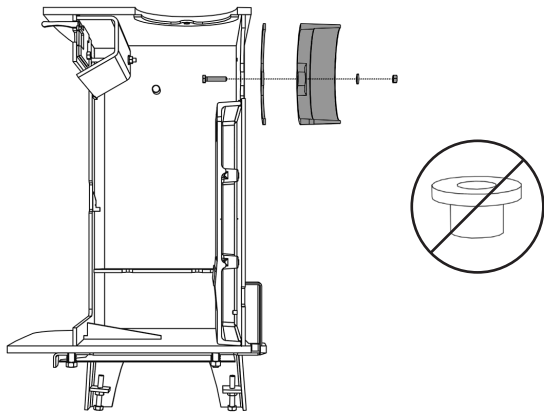
4b



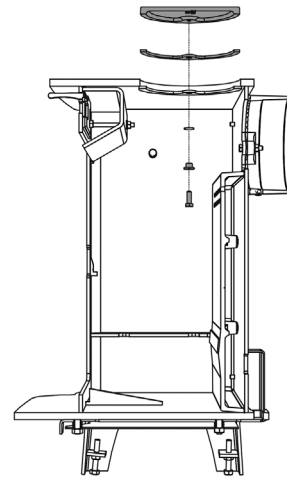
4b



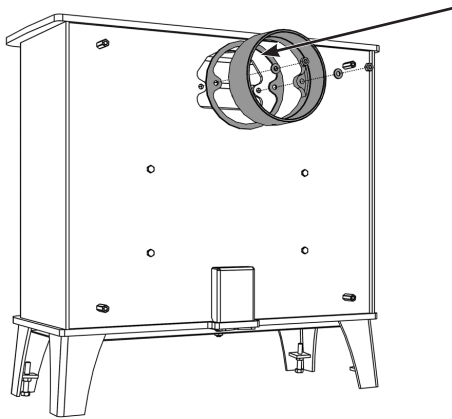
5a



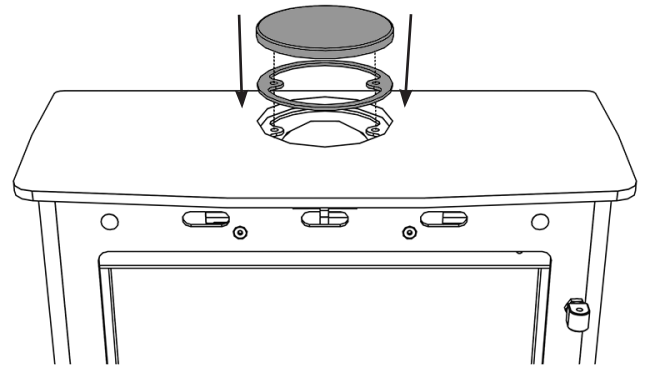
6a



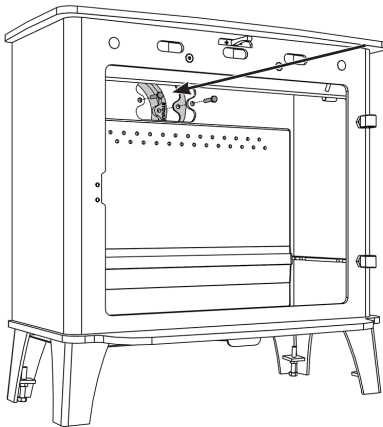
5b



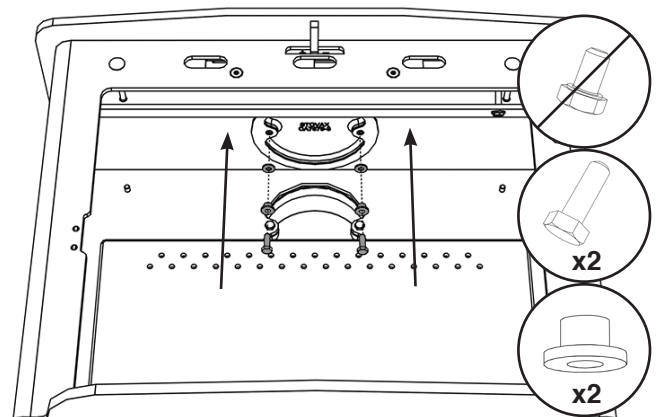
6b



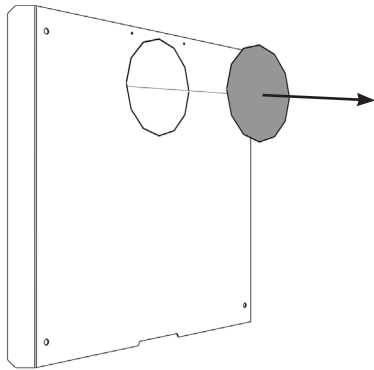
5c



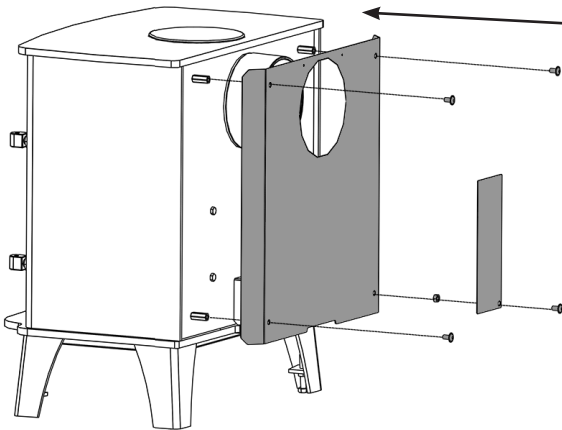
6c



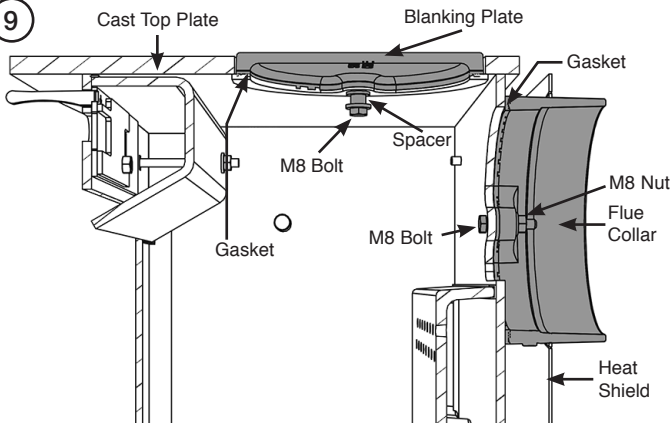
7



8



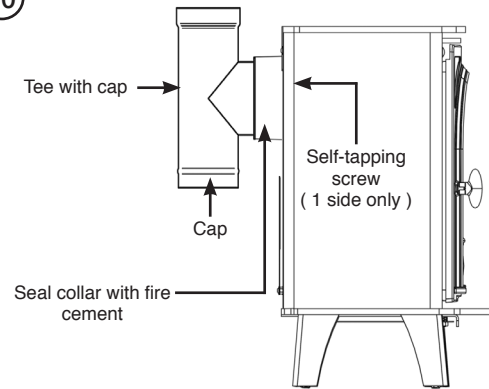
9



The following flue pipe is available to ensure safe installation:

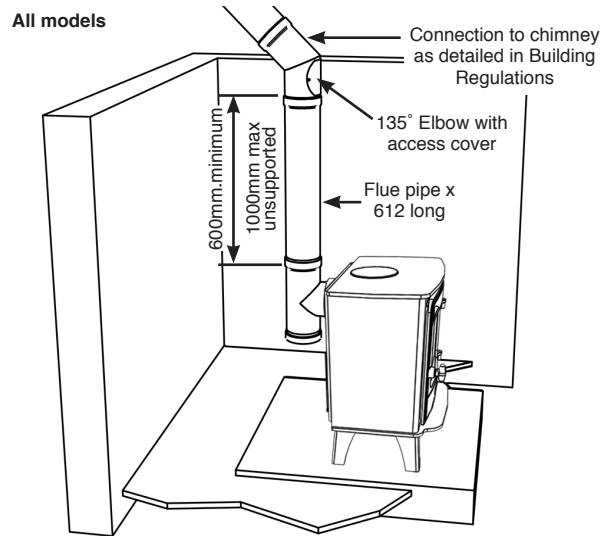
5" Tee	Stovax Product Code 4516
5" 135° Bend	Stovax Product Code 4512
5" Flue Pipe x 612mm long	Stovax Product Code 4501

10



### A TYPICAL REAR FLUE PIPE INSTALLATION

11



Replace internal components.

## CO ALARMS

All open flued appliances can be affected by temporary atmospheric conditions which may allow fumes to enter the house. **Building regulations require that whenever a new or replacement fixed solid fuel or wood/biomass appliance is installed in a dwelling a carbon monoxide alarm, complying with BS EN50291, must be fitted in the same room as the appliance. Further guidance on the installation of the carbon monoxide alarm is available in the latest edition of BS EN50292 and from the alarm manufacturer's instructions.**

**HETAS recommend the unit is permanently fixed in accordance with the manufacturer's installation instructions or with the guidance contained in Approved Document J where no other information is available.**

**Provision of an alarm must not be considered a substitute for either installing the appliance correctly or ensuring regular servicing and maintenance of the appliance and chimney.**

## COMMISSIONING

To commission:

- Replace the internal components.
- Check the door alignment and catch operation and adjust if required.
- Check the soundness of door seals, castings and joints.
- Check the operation of the air controls.

Now carry out a final smoke draw test:

- Warm the flue with a blowlamp, or similar, for about 10 minutes.
- Place a smoke pellet on the centre of the grate, with the air controls open.
- Close the door. Smoke should now be drawn up the flue and be seen to exit from the flue terminal.
- Complete test with all doors and windows closed in the room where the appliance is fitted.
- If there are any extractor fans in adjacent rooms the test must be repeated with the fans running on maximum and with interconnecting doors open.
- Check the effect of ceiling fans during the test.

If the test fails, re-check the suitability of the flue system and ventilation. An inadequate air supply to the room is potentially dangerous.

- Light the appliance and slowly increase the temperature.
- Ensure no combustion products enter the room.
- Open the main fire door when the appliance reaches operating temperature and carry out a spillage test with a smoke match or pellet around the door opening.

If excessive spillage occurs allow the appliance to cool and re-check the flue system and ventilation.

Finally:

- Explain to the user the correct operation of the appliance, use of the controls and the importance of only using suitable fuels in order to reduce smoke emissions - particularly if they live in a Smoke Control Area.
- Ensure that a CO alarm has been fitted and make the user aware of its operation and importance, referring them to the Warning section on page 5 of the User Instructions.
- Explain the cleaning and routine maintenance requirements.

- Explain the requirement to use a suitable fireguard when children, elderly or infirm persons are near the appliance.

- Record retailer/supplier and installer details in Appliance Commissioning Checklist.

- Record serial number in Appliance Commissioning Checklist.

This number is required when ordering spare parts and making warranty claims.

- Give this instruction manual to the customer.

## SERVICING

For a complete list of spare parts and accessories contact your Stovax or call 01392 474011

Before the start of the heating season strip, inspect and clean the appliance as detailed:

- Allow appliance to cool.
- Remove all internal parts: baffle, log guard, cast bases and firebricks.  
Take care handling firebricks as they can become fragile after a period of use.
- Sweep the appliance at this point if necessary.
- Vacuum clean any remaining ash and debris from the inside of the appliance. Stovax offer a filter/collection attachment for vacuum cleaners to protect them from fire ash: Ash Clean (Stovax Part No. 2091).
- Check the parts for any damage. Replace any damaged parts using genuine Stovax replacements parts.
- Check and clean the firebricks with a soft brush.  
Some surface damage will occur during use. The life of the bricks will depend on the type of fuels burnt and the level of use.  
**Replace damaged bricks as soon as possible.**
- Re-fit cleaned internal parts.
- **Use Stovax Glass or Gel Cleaner.**  
  
**Do not use abrasive cleaners to remove tar or soot deposits from the glass.**
- Fit new door rope seal.
- Lightly oil the door catch mechanism and hinge pins. Avoid getting oil onto the door seals and glass.
- To refresh painted finishes a touch up spray is available.  
Contact your Stovax retailer quoting the serial number found on the appliance data badge.

Use genuine Stovax replacement parts to keep the appliance in safe, efficient working order. This is a list of the maintenance products that may need be required:

Products to assist in the cleaning and maintenance of your Futura are available online at [www.stovax.com](http://www.stovax.com) or from your local Stovax dealer which, along with regular maintenance and use of correct fuels, will keep the appliance in the best possible condition.

For more information about the Stovax Group products please visit our web site at [www.stovax.com](http://www.stovax.com)

Burn at a low temperature for the first day of use after any maintenance. This allows the seals, fixing glues and paint to fully cure.

During this time the appliance may give off some unpleasant odours. Keep the room well ventilated to avoid a build-up of fumes.

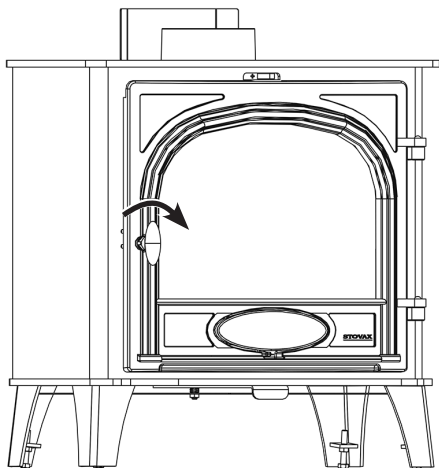
Your Stovax dealer can carry out service and maintenance.

TASK	PRODUCT NAME	NO.
<b>Preventing build-up of creosote in flue</b>	Protector (15 sachets)	7002
	Protector (1kg tub)	7025
<b>Sealing flue pipe joints</b>	Fire Cement (500g tub)	2024
	Fire Cement (600g cartridge)	2021
<b>Re-painting</b>	Touch Up Paint (150ml aerosol)	2056
<b>Protecting your hands</b>	Heat resistant gloves	4008
		4027 - Long
<b>Thermic seal glue</b>	(50ml bottle)	5037
<b>Cleaning Glass</b>	Stovax Glass Cleaner	4103
	Stovax Gel Cleaner	4111
<b>Ash Clean</b>	Vacuum Cleaner Attachment	2091M

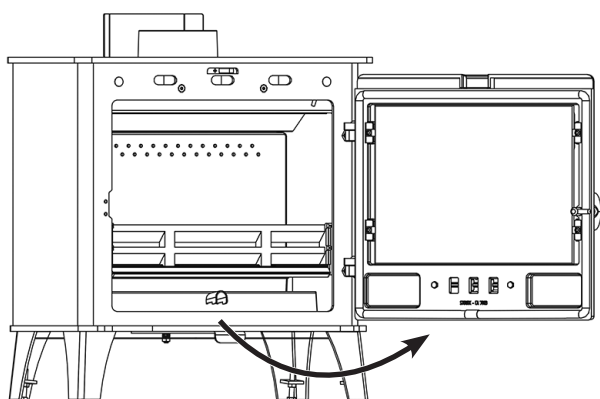
## FITTING A NEW DOOR GLASS OR GLASS

### REMOVING THE DOOR - SINGLE DOOR MODEL

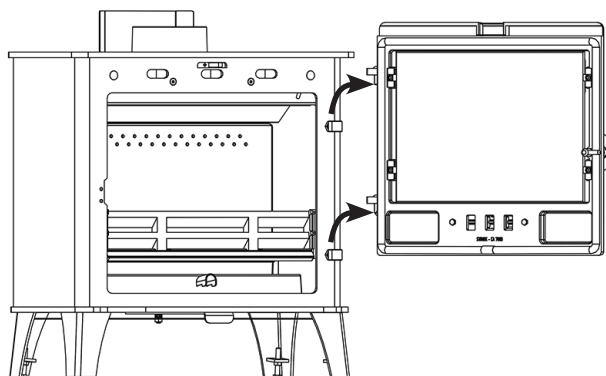
1



2

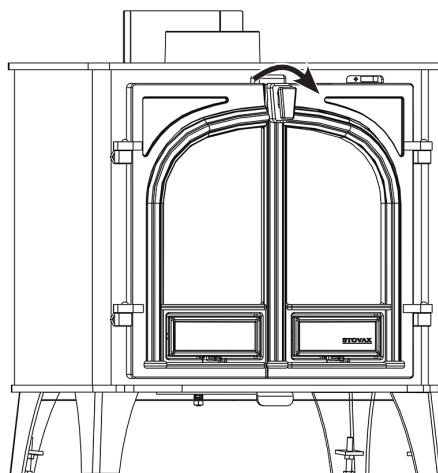


3

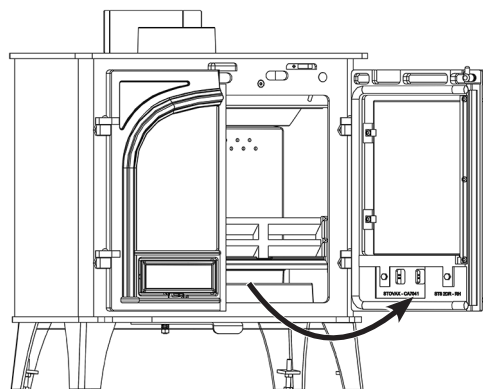


### REMOVING THE DOOR - DOUBLE DOOR MODEL

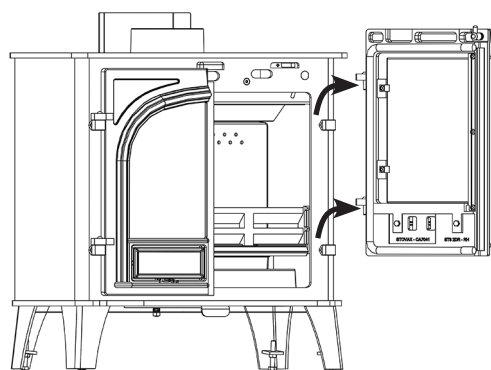
1



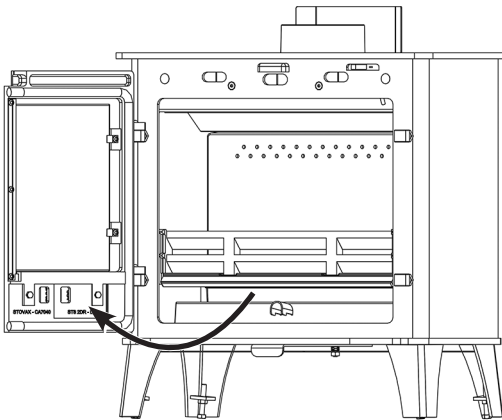
2



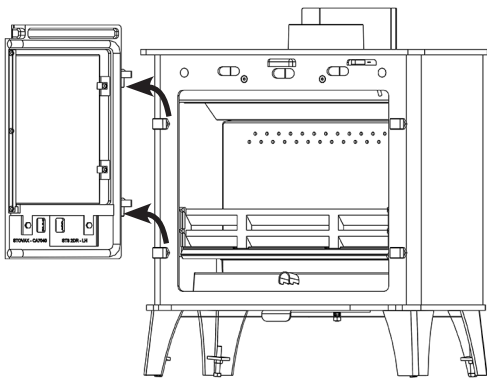
3



4



5

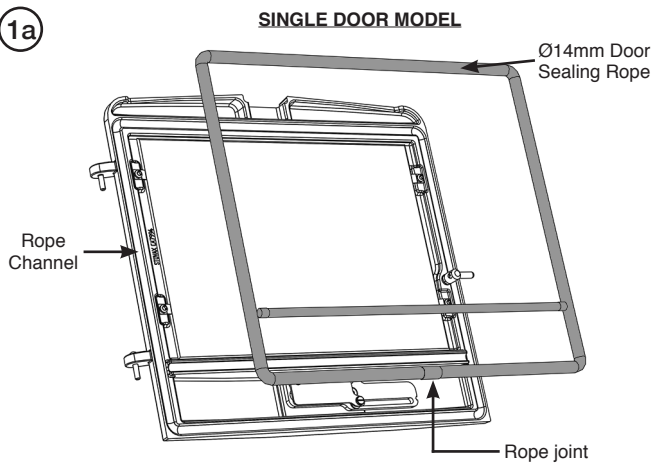


## ALL MODELS

Lay the door face down on a soft flat surface, to protect the paintwork and glass.

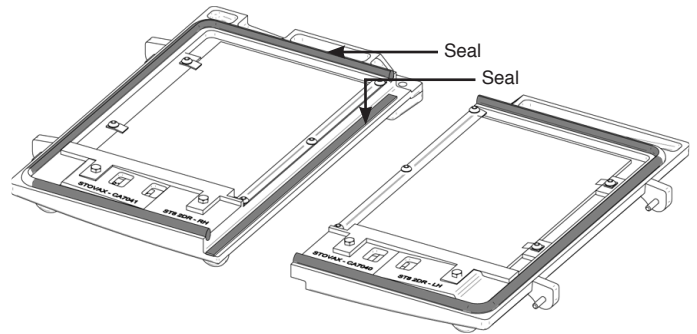
## DOOR SEAL

1a



1b

## DOUBLE DOOR MODEL



Remove the old rope and scrape old glue from the locating groove.

Clean the locating groove with a clean dry cloth to remove all old dust and debris.

Squeeze a generous bead of fresh Stovax Thermic Seal glue into the rope locating groove.

Press the new Stovax rope into the locating groove, placing the joint in the middle of the lower edge of the door,

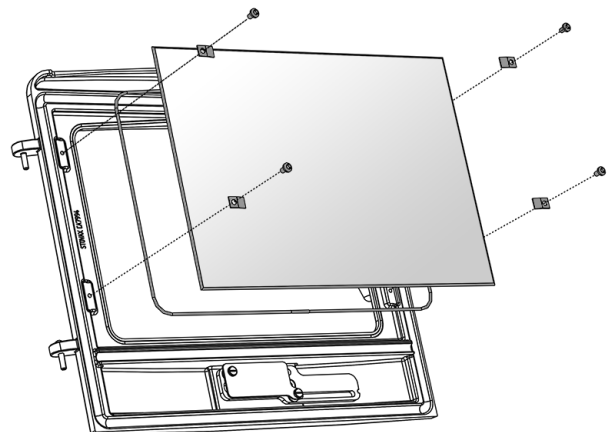
## DOOR GLASS



**USING THE APPLIANCE WITH A DAMAGED DOOR GLASS COULD CAUSE DANGEROUS FUMES TO ENTER THE ROOM, OR THE APPLIANCE TO OVER-FIRE, RESULTING IN DAMAGE.**

2a

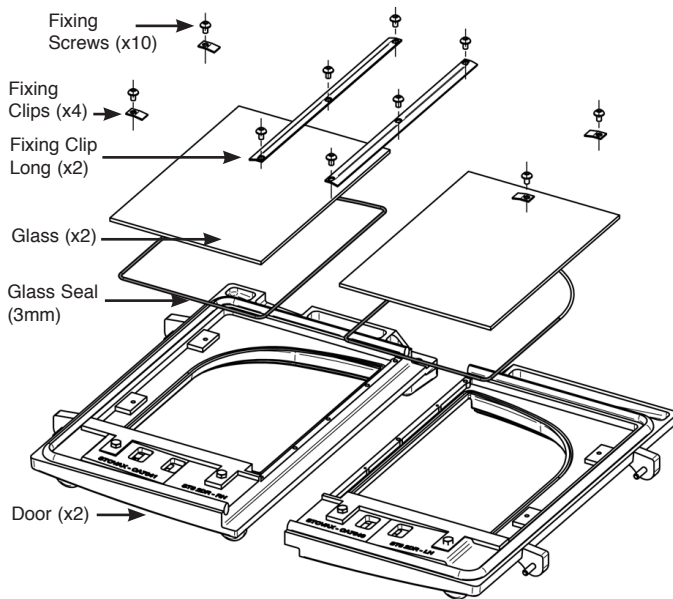
## SINGLE DOOR MODEL





2b

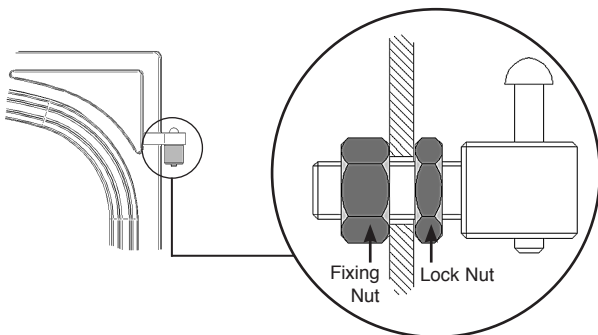
**DOUBLE DOOR MODEL**



**i** Take note of the roping around the edge of the door glass around the edge. This will also need replacing.

Dispose of the old glass safely.

**ADJUSTING THE DOOR HINGES**

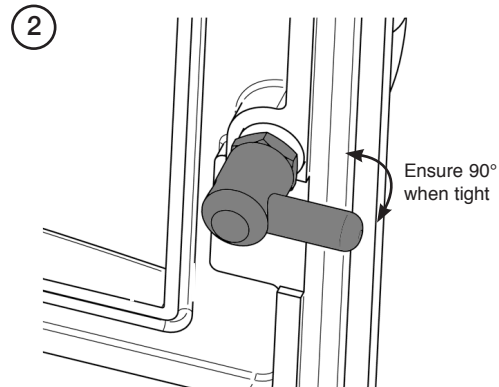
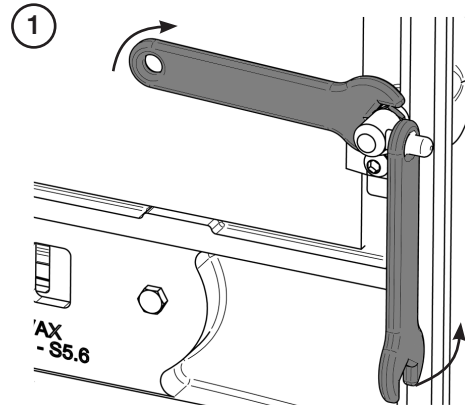
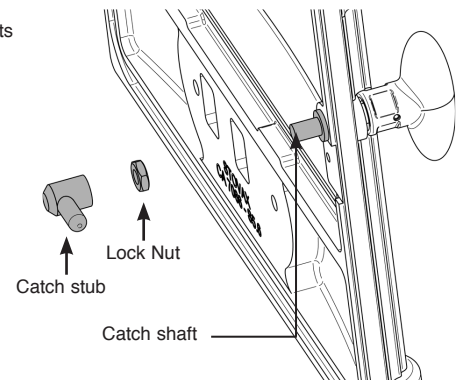


**ADJUSTING THE DOOR CATCH**

The door catch can be adjusted as required to move the door in or out to achieve effective sealing. It is also possible to adjust the catch to ensure the handle aligns vertically when shut.

The catch is held in place by a screw thread which can be turned to tighten or loosen. Following alteration ensure the catch stub sits at 90° to the door knob to ensure the door knob is in a vertical position when the door is shut. Lock the nut and catch stub tightly together to fix this position.

The following parts can be altered



Wind clockwise to tighten door gap

Wind anti-clockwise to loosen door gap

## LOOSE CATCH STUB

This maintenance should not require any new parts (if parts are missing they are likely to have fallen into the ash in the firebox).

**Warning: Ash can remain hot long after the appliance has been in use.**

Open the door.

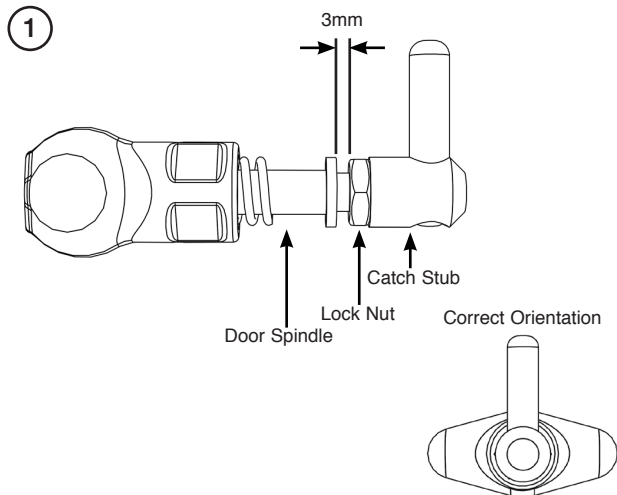
If it cannot be opened, pull the door with one hand while turning the handle anticlockwise. This will unscrew the catch stub. Continue turning until the catch stub comes off the spindle and the door can be opened.

Retrieve the catch stub from inside the appliance.

**Warning: Ash can remain hot long after the appliance has been in use.**

Check that the lock nut is still attached to the door spindle. If it is missing it is likely to have fallen into the appliance. Retrieve and reattach if necessary.

Screw the lock nut on to the door spindle, leaving a 3mm gap between the face of the nut and the spindle face.



Screw the catch stub up to the lock nut. Ensure the correct orientation of the pin and knob.

## ROLL PIN FAILURE

Remove the door handle.

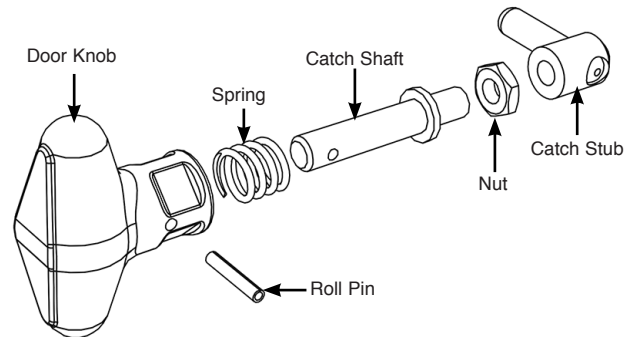
If the door cannot be opened, push it against the appliance body to take pressure off the catch. Protect the catch shaft and use pliers as a temporary handle to open the door.

Remove the door from the appliance.

Using a 3mm pin punch, remove the old pin from the handle and spindle.

Ensuring that the spring is in place, use the pin punch as a guide to line up the holes and tap the new pin in to place with a small hammer.

**Note orientation.**



Check the door catch operation and tightness of the lock nut. Adjust if required.

## FINAL CHECKS

Following these adjustments check that the door:

- Does not come into contact with the log guard.
- Passes the paper sealing test.
- Aligns with the sides and top of the appliance.

## LEGAL REQUIREMENTS

Before installation and/or use of this appliance please read these instructions carefully to ensure that all requirements are fully understood.

**The appliance must be fitted by a registered installer, or approved by your local building control officer.**

It is very important to understand the requirements of the national Building Regulations and standards, along with any local regulations and working practices that may apply. Should any conflict occur between these instructions and these regulations then the regulations must apply.

Your local Building Control Office can advise regarding the requirements of the regulations.

Works must be carried out with care to meet the requirements of Health and Safety and comply with the Health and Safety rules, and any new regulations introduced during the lifetime of these instructions. Particular attention should be drawn to:

- **Handling:** The appliance is heavy. Adequate facilities must be available for loading, unloading and on site handling.
- **Fire Cement:** Some fire cement is caustic and must not come into contact with the skin. Protective gloves must be worn. Wash hands thoroughly with plenty of water after contact with skin.
- **Asbestos:** This appliance contains no asbestos. If there is the possibility of disturbing any asbestos in the course of installation seek specialist guidance and use appropriate equipment.
- **Metal Parts:** Take care when installing or servicing the stove to avoid personal injury.

**A faulty installation can cause danger to the inhabitants and structure of the building.**

**For users of this appliance:**

Your building insurance company may require you to inform them that a new heating appliance has been installed on your property. Check that your cover is still valid after installing the appliance.

## FLUE OR CHIMNEY

The flue or chimney system must be in good condition. It must be inspected by a competent person and passed for use with the appliance before installation.

Products of combustion entering the room can cause serious health risks.

The following must be checked:

- The construction of the masonry chimneys, flue block chimneys and connecting flue pipe system must meet the requirements of the Building Regulations.
- A flexible flue liner system can be used if certified for use with solid fuel systems and installation complies with manufacturer's instructions and Building Regulations. The flue liner must be replaced when an appliance is replaced, unless proven to be recently installed and in good condition.
- If it is necessary to fit a register plate it must conform to the Building Regulations.

- The minimum height of the flue or chimney must be 4.5m from the hearth to the top of the flue, with no horizontal sections and a maximum of 4 bends. Bends must have angles of less than 45 degrees from the vertical.
- There should be at least 600mm of vertical flue pipe above the appliance before any bends are introduced.
- Ensure the connecting flue pipe is kept a suitable distance from any combustible material and does not form part of the supporting structure of the building.
- The installer must ensure the flue pipe diameter is not less than the diameter of the outlet of the appliance and does not narrow to less than the size of the outlet at any point in the system.
- Make provision to remove the appliance without the need to dismantle the chimney.
- Any existing flue must be confirmed as suitable for the new intended use as defined in the Building Regulations.
- The flue or chimney systems must be inspected and swept to confirm the system is structurally sound and free from obstructions.
- If the chimney is believed to have previously served an open fire it must be swept a second time within a month of regular use after installation to clear any soot falls that may have occurred due to difference in combustion levels.
- The flue exit from the building must comply with local building control rules.
- Chimney heights and/or separations may need to be increased in particular cases where wind exposure, surrounding tall buildings, high trees or high ground could have adverse effects on flue draught.
- Do not connect or share the flue or chimney system with another heating appliance.

Do not connect to systems containing large voids or spaces over 230mm square.

Suitable access must be provided to enable the collection and removal of debris.

The flue must be swept and inspected when the appliance is installed.

### Flue Draught

The flue draught must be checked with all windows and doors closed and any extraction fans in this, or adjoining rooms, running at maximum speed (see Installation Checklist for ventilation requirements).

## TWIN WALL FLUE SYSTEM

**If this appliance is to be used in conjunction with a twin wall flue system then Stovax recommend the use of their Professional XQ range. Details of this product are available from your Stovax retailer.**

## VENTILATION

Many older buildings are sufficiently ventilated by natural leakage of air to provide suitable air supply for an appliance of 5kW output or less.

Modern building techniques have reduced the amount of air that leaks in or out of a house. A modern construction with an air tightness of less than 5m<sup>3</sup> per hour per m<sup>2</sup> requires an air vent for **ALL** solid fuel appliances including those with a rated heat output of less than 5kW.

**NOTE:** The air leakage of a modern house is tested at the completion of construction and a certificate issued confirming this.

This appliance requires a constant supply of air to maintain proper combustion and effective flue performance.

An inadequate air supply can result in poor combustion and smoke entering the room which is potentially dangerous.

This supply of air can come from either:

- Purpose provided ventilation.
- Some Stovax appliances can also be fitted with an optional outdoor air kit which allows air to be drawn in from the outside.

The amount of air required must comply with local building regulations and the rules in force.

If vents open into adjoining rooms or spaces there must be an air vent of at least the same size direct to the outside.

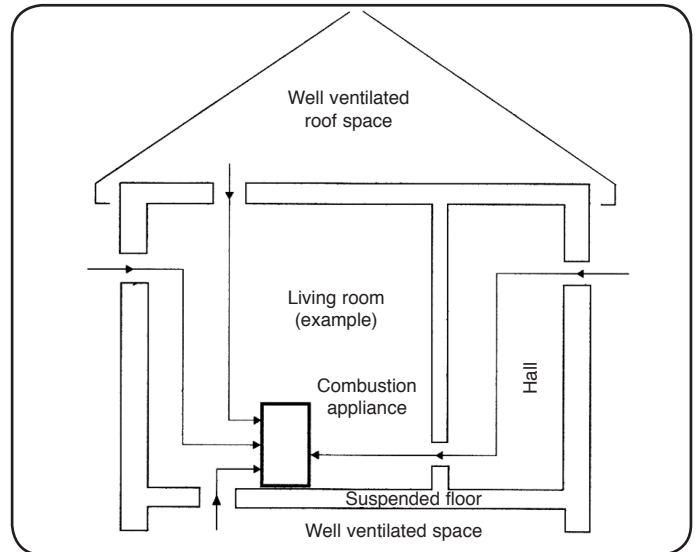
Site the vents where cold draught is unlikely to cause discomfort. This can be avoided by placing vents near ceilings or close to the appliance (See diagram).

Extractor fans, cooker hoods and other heating devices placed in the same room or space as the appliance, may cause problems. Extra ventilation must be installed as per each appliance requirements.

The appliance shall not be installed with ventilating systems which have pressure below -15Pa

Increase air supply provisions where a room contains multiple appliances.

**If any checks reveal problems do not proceed with the fitting of the appliance until they have been rectified.**



## BUILDERS OPENING

Many fireplace openings have a supporting lintel. Remove the covering plaster to identify its position before starting any constructive work. Do not remove constructional lintels without making provision to support the remaining structure of the building. The appliance must not form any part of the supporting structure.

The chimney/flue must have a sealed connection to the appliance flue spigot.

The structure of the builders opening will reach high temperatures. Use insulating blockwork to reduce the heat transfer to the external walls.

Take care when finishing the chimney breast and surrounding area. The conducted and convected heat emitted by the appliance could be high enough to crack normal plaster. Use a high temperature plaster, or face the area with a suitable non combustible board avoiding any joints above the appliance. New plaster should be fully dried before the appliance is used, or cracking could occur.

If you are in any doubt about your ability to produce a safe opening contact your Stovax dealer for professional advice.

## FIRE SURROUND CLEARANCES

We recommend you obtain expert advice before proceeding with work of this nature.

Some finishes may discolour with heat and some lower quality products may distort, or crack, when in use.

If stone / granite / marble or any other natural material is used to construct the fire surround, or any part of it, provision should be made for expansion and movement of the parts due to heating and cooling.

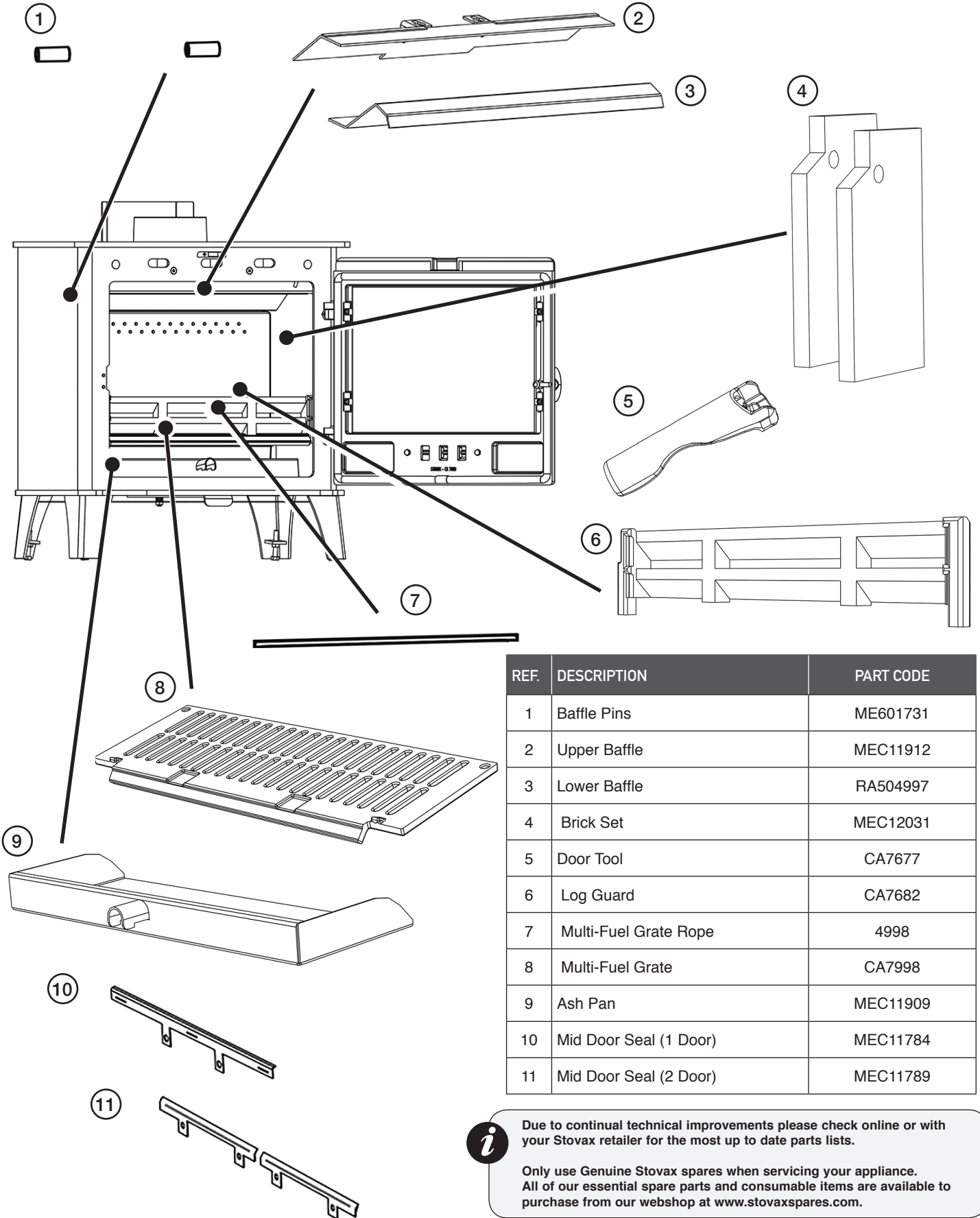
If you are in any doubt about the installation requirements, or suitability of fire surrounds contact your Stovax dealer.

All fire surrounds should be suitable for use with solid fuel heating products.

**PRODUCT FICHE -  
INFORMATION REQUIREMENT FOR SOLID FUEL LOCAL SPACE HEATER**

<b>Model</b>	<b>Stockon 5 Wide</b>
<b>Energy Efficiency Class</b>	<b>A+</b>
<b>Direct Heat Output (kW)</b>	<b>5.0</b>
<b>Indirect Output (kW)</b>	<b>-</b>
<b>Energy Efficiency Index (EEI)</b>	<b>107</b>
<b>Useful Energy Efficiency at Nominal Heat Output</b>	<b>80.2%</b>
<b>Safety Precautions</b>	<b>Appliance must be installed, Used and Maintained in accordance with the manufacturers instructions supplied</b>

SPARE PARTS

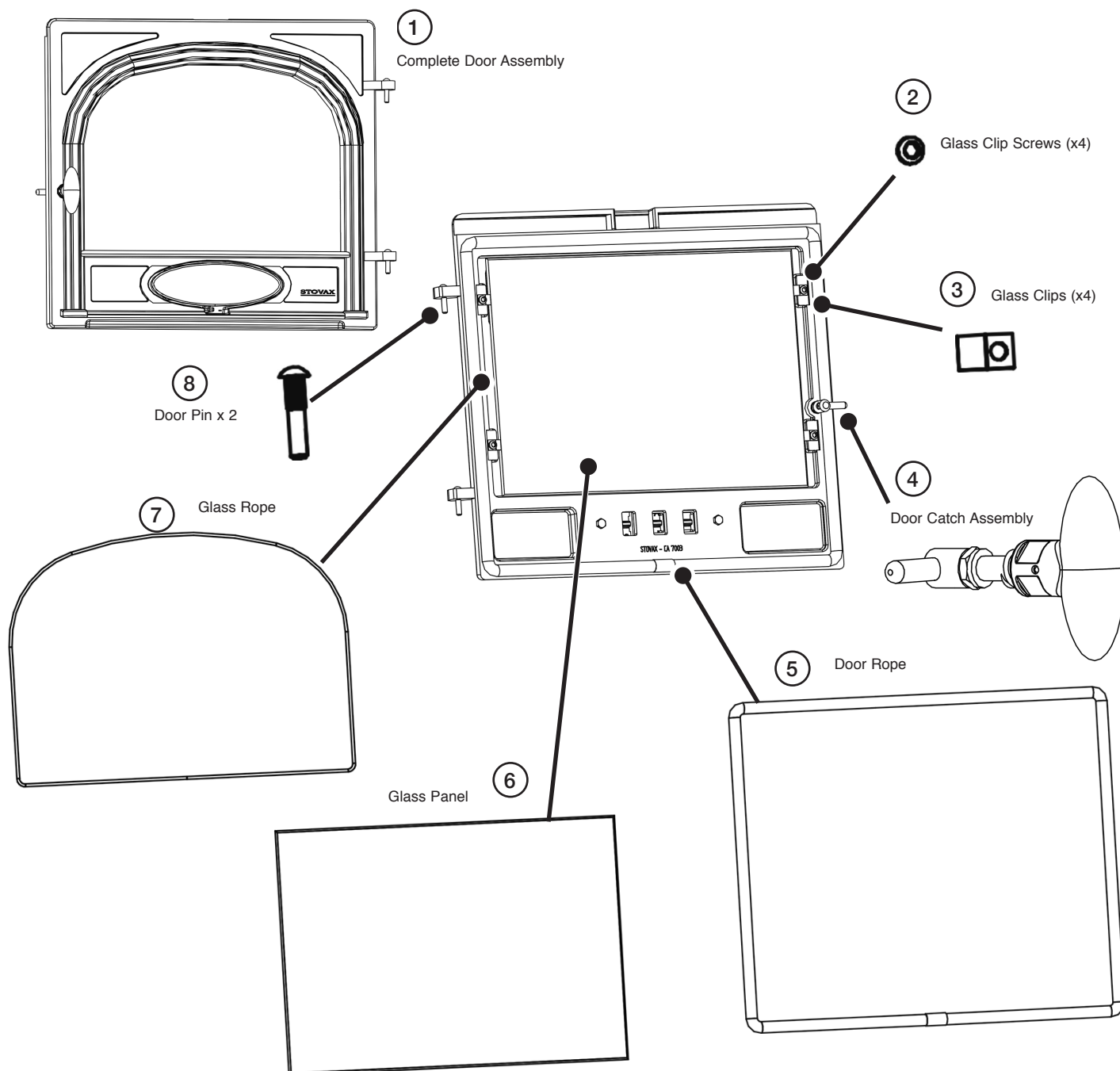


REF.	DESCRIPTION	PART CODE
1	Baffle Pins	ME601731
2	Upper Baffle	MEC11912
3	Lower Baffle	RA504997
4	Brick Set	MEC12031
5	Door Tool	CA7677
6	Log Guard	CA7682
7	Multi-Fuel Grate Rope	4998
8	Multi-Fuel Grate	CA7998
9	Ash Pan	MEC11909
10	Mid Door Seal (1 Door)	MEC11784
11	Mid Door Seal (2 Door)	MEC11789


**i** Due to continual technical improvements please check online or with your Stovax retailer for the most up to date parts lists.

Only use Genuine Stovax spares when servicing your appliance. All of our essential spare parts and consumable items are available to purchase from our webshop at [www.stovaxspares.com](http://www.stovaxspares.com).

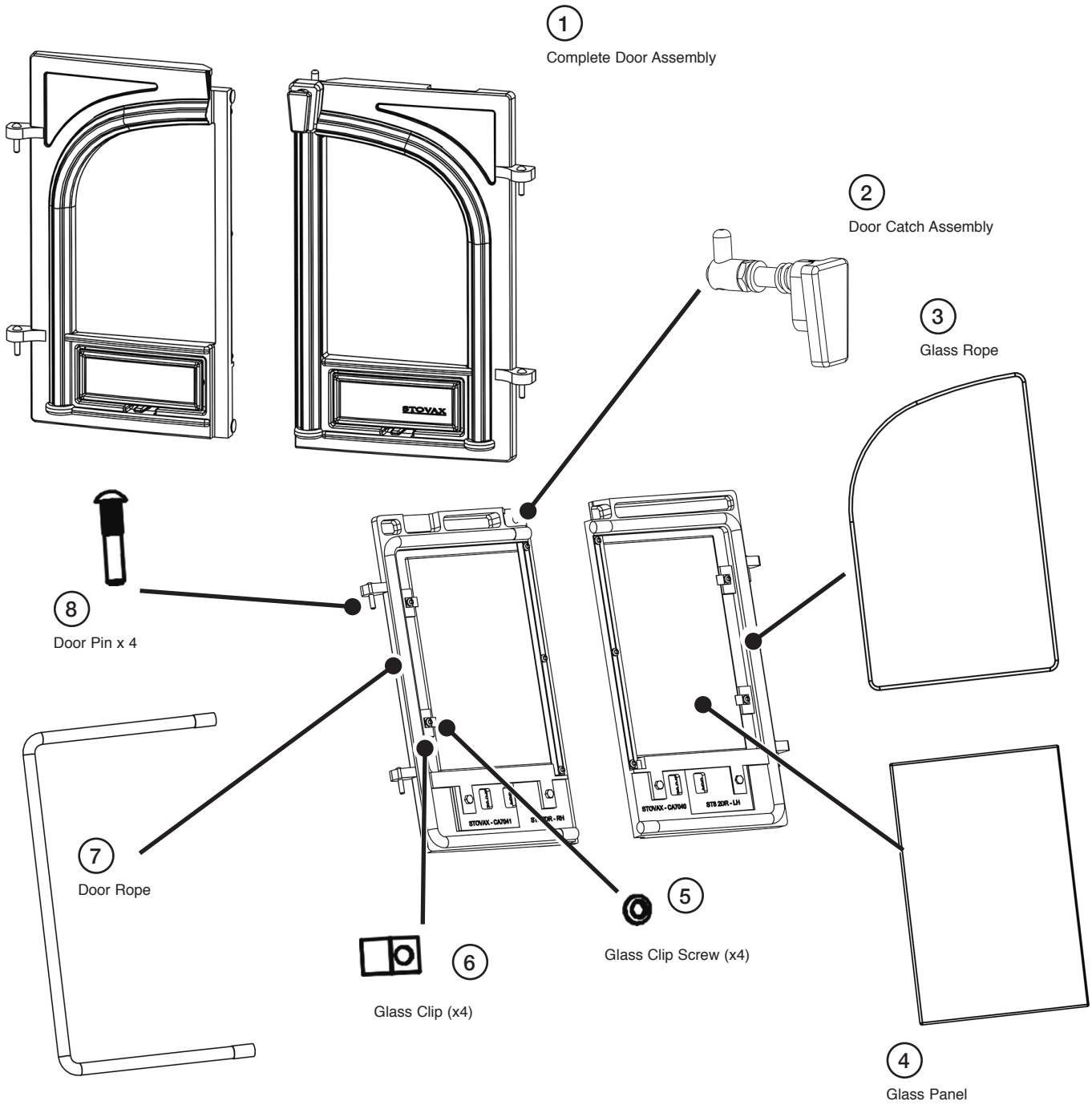
DOOR ASSEMBLY - 1 DOOR



MODEL	1	2	3	4	5	6	7	8
Stockton 5W	MEC11770	M0508BUTH	RA502594	MEC11085	4999	CE7005	4975	SM20

 Due to continual technical improvements please check online or with your Stovax retailer for the most up to date parts lists.  
 Only use Genuine Stovax spares when servicing your appliance.  
 All of our essential spare parts and consumable items are available to purchase from our webshop at [www.stovaxspares.com](http://www.stovaxspares.com).

DOOR ASSEMBLY - 2 DOOR



MODEL	1	2	3	4	5	6	7	8
Stockton 5W	MEC11788	MEC9069	4975	CE7018	M0508BUTH	RA502594	4999	SM20

**i** Due to continual technical improvements please check online or with your Stovax retailer for the most up to date parts lists.  
 Only use Genuine Stovax spares when servicing your appliance.  
 All of our essential spare parts and consumable items are available to purchase from our webshop at [www.stovaxspares.com](http://www.stovaxspares.com).



**SERVICE RECORDS**

**1ST SERVICE**

Date of Service:.....

Next Service Due:.....

Signed:.....

Dealer's Stamp/HETAS Registration Number

**3RD SERVICE**

Date of Service:.....

Next Service Due:.....

Signed:.....

Dealer's Stamp/HETAS Registration Number

**5TH SERVICE**

Date of Service:.....

Next Service Due:.....

Signed:.....

Dealer's Stamp/HETAS Registration Number

**7TH SERVICE**

Date of Service:.....

Next Service Due:.....

Signed:.....

Dealer's Stamp/HETAS Registration Number

**9TH SERVICE**

Date of Service:.....

Next Service Due:.....

Signed:.....

Dealer's Stamp/HETAS Registration Number

**2ND SERVICE**

Date of Service:.....

Next Service Due:.....

Signed:.....

Dealer's Stamp/HETAS Registration Number

**4TH SERVICE**

Date of Service:.....

Next Service Due:.....

Signed:.....

Dealer's Stamp/HETAS Registration Number

**6TH SERVICE**

Date of Service:.....

Next Service Due:.....

Signed:.....

Dealer's Stamp/HETAS Registration Number

**8TH SERVICE**

Date of Service:.....

Next Service Due:.....

Signed:.....

Dealer's Stamp/HETAS Registration Number

**10TH SERVICE**

Date of Service:.....

Next Service Due:.....

Signed:.....

Dealer's Stamp/HETAS Registration Number





**FOR ENQUIRIES IN THE U.K (EXCLUDING NI):**

Stovax Limited, Spitfire Avenue, Skypark, Clyst Honiton, Exeter, Devon, England EX5 2FR

Tel: (01392) 474011 Fax: (01392) 219932 E-mail: [info@stovax.com](mailto:info@stovax.com) [www.stovax.com](http://www.stovax.com)

**FOR ENQUIRIES IN EUROPE (INCLUDING NI):**

Stovax Heating Group Ltd, 40 Linenhall Street, Belfast, BT2 8BA I DX 400 NR Belfast

Tel: +44 (0)1392 261990 Fax: +44 (0)1392 444148 E-mail: [northernireland@stovax.com](mailto:northernireland@stovax.com)



**STOVAX**



PM1771