



WOOLLY MAMMOTH S T O V E S



USER MANUAL

PLEASE RETAIN THIS GUIDE FOR FUTURE REFERENCE



Woolly Mammoth Stoves
20-28 Albert Road, Braintree, Essex, CM7 3JQ

Table of Contents



Page 3 -	Welcome....
Page 4 -	The Clean Air Act 1993, EcoDesign & clearSkies
Page 5-7 -	Technical Specifications, Installation Advice
Page 8 -	Use in Smoke Control Zones (WM 5 WM 5 WideScreen)
Page 9 -	Use in Smoke Control Zones (WM 8)
Page 10 -	Basic Operation
Page 11 -	Lighting Instructions
Page 12 -	Spring/Autumn Syndrome
Page 13 -	Over/Under Firing, Slow Combustion, Ash Removal
Page 14 -	Fuel Guide
Page 15/16 -	Maintenance
Page 17/18 -	Trouble Shooting
Page 18/19 -	Fire Risk Advice
Page 19/20 -	The 5 Year Woolly Mammoth Warranty <i>PLUS</i>
Page 21-23 -	Technical Drawings & Performance Data
Page 24-26 -	EEL Labels
Page 27 -	Warranty Registration

Woolly Mammoth Stoves...

Congratulations on your purchase and welcome to the new generation of stoves, conceived and designed exclusively for the UK market.

Manufactured in cast iron and steel, Woolly Mammoth stoves bring the comforting glow of a real fire into your home in a modern and highly efficient way, offering ultimate controllability and efficiency from every model via adjustable primary, secondary and tertiary air intakes. Woolly Mammoth Stoves are direct air compatible, suitable for 12mm hearths and exceed the DEFRA Smoke Exemption and EcoDesign 2022 standards for clean efficient burning.

...the evolution of fire

Warnings

Woolly Mammoth Stoves may only be installed by registered members of a recognised competent person's scheme such as HETAS or under building control approval from your local authority. Failure to do so will void the manufacturer's warranty

This appliance must be installed in full compliance of all current Building Regulations (Approved Document J) and local regulations. All local, national and European standards must be complied with when installing this stove

Your Woolly Mammoth Stove requires regular inspection, maintenance and the flue system swept once a year as a minimum. Failure to do so will void the manufacturer's warranty

Woolly Mammoth stoves are designed to burn wood or solid fuels only

Due care must be taken when the stove is in operation as all external surfaces will become hot

This heating appliance should not be left unsupervised and therefore is not recommended for overnight burning or 'slumbering'

Incorrectly installed heating appliances can cause damage to property, the emission of harmful levels of carbon monoxide and impact the terms of your home insurance

It is common to experience excess fumes from the stove and/or paint upon initial lighting as the coatings cure

Protective clothing must be worn when handling sealants, rope seals, glass, adhesive & insulation

This stove must not be installed into a chimney shared with another heating appliance or in a room containing any form of air extraction

The Clean Air Act 1993 and Smoke Control Areas

Under the Clean Air Act, local authorities may declare the whole or part of the district of the authority to be a smoke control area. It is an offence to emit smoke from a chimney of a building, from a furnace or from any fixed boiler if located in a designated smoke control area. It is also an offence to acquire an 'unauthorised fuel' for use within a smoke control area unless it is used in an 'exempt' appliance ('exempted' from the controls which generally apply in the smoke control area).

In England, appliances are exempted by publication on a list by the Secretary of State in accordance with changes made to sections 20 and 21 of the Clean Air Act 1993 and by section 15 of the Deregulation Act 2015. Similarly, in Scotland, appliances are exempted by publication on a list by Scottish Ministers under section 50 of the Regulatory Reform (Scotland) Act 2014.

In Northern Ireland, appliances are exempted by publication on a list by the Department of Agriculture, Environment and Rural Affairs under Section 16 of the Environmental Better Regulation Act (Northern Ireland) 2016.

In Wales, appliances are exempted by regulations made by Welsh Ministers. Further information on the requirements of the Clean Air Act can be found at www.gov.uk/smoke-control-area-rules

Your local authority is responsible for implementing the Clean Air Act 1993 including designation and supervision of smoke control areas and you can contact them for details of Clean Air Act requirements.

The Woolly Mammoth 5 mk2, Woolly Mammoth 5 Widescreen mk2 and Woolly Mammoth 8mk 2 have been recommended as suitable for use in smoke control areas when burning wood logs. The Woolly Mammoth 5 mk2 and Woolly Mammoth 5 Widescreen 5 mk2 must be fitted with a permanent stop to prevent closure of the secondary air controller beyond 50% open. The Woolly Mammoth 8 mk2 must be fitted with a permanent stop to prevent closure of the tertiary air controller beyond 100% open. For full details of how to install the smoke control slide plate see the dedicated section on page 7. Authorised solid mineral fuels can also be used in smoke control areas. A list of Authorised fuels can be found at www.smokecontrol.defra.gov.uk/fuels.php.

EcoDesign 2022 and Clear Sky Initiative

In a bid to reduce any potential impact the burning of solid fuels may have on our environment, the bodies that govern our industry (DEFRA, Stove Industry Alliance and HETAS) have introduced stricter guidelines concerning reduced particle emissions (PM2.5), lower Carbon Monoxide emissions and improved efficiency levels through better fuel standards and sustainability, by which a multitude of appliances manufactured after 1st January 2022 and sold in the UK (and Ireland) must adhere. These are known as *Eco Design 2022 Ready or Clear Skies* and your Woolly Mammoth stove has been tested and approved as exceeding these requirements.

Technical Specification

Model	Output - Wood	Output - Coal	Dimensions Overall - mm	Dimensions Firebox - mm	Fuel	Smoke Exempt	Outlet Size - mm	Outlet Location
5 mk2	4.6kw	4.9kw	H540 x W420 x D290	H236 x W330 x D200	Multifuel	Yes	125mm	Top & Rear
5W mk2	4.6kw	6.2kw	H515 x W475 x D300	H221 x W350 x D200	Multifuel	Yes	125mm	Top & Rear
8 mk2	8.2kw	8.6kw	H575 x W570 x D295	H272 x W410 x D200	Multifuel	Yes	125mm	Top & Rear

Before Installing Your Woolly Mammoth Stove

Suitable ventilation must be provided for the installation of your Woolly Mammoth stove for safe, efficient operation and compliance with approved document J of the building regulations. Air vents must remain open at all times and be free of any obstructions. Extractor fans must not be present in the same room as a heating appliance. Please refer to the building regulations for minimum air vent sizes for your stove's output.

EcoDesign 2022 Ready Woolly Mammoth stoves are Cool Hearth Rated and can be installed on 12mm superimposed or decorative hearths. These must measure a minimum of 840mm x 840mm. If installed on a constructional hearth in an existing fireplace, this must extend a minimum 150mm from either side of the stove and a minimum 300mm to the front.

Pre-existing chimneys must be in good condition and lined with a minimum 125mm internal diameter flexible chimney liner. If a chimney does not exist, a suitable insulated twin wall flue system must be connected to the appliance again with a minimum 125mm internal diameter. All flue installations must be undertaken by a registered member of a government approved competent persons scheme and under building control approval from your local authority. Failure to do so will void the *Mammoth 5 Year warranty PLUS*.

Chimney draw must be within specification for this stove to operate. With the chimney warm, this must be between 1-2mm water gauge. Anything higher requires a draught stabiliser to prevent over firing.

Upon receipt of your stove, please ensure all insulating fire bricks are in position to the sides and rear of the fire box and the baffle plates are secured in position as these may have become misplaced during transit. The outlet collar and blanking plate are supplied with screws for securely fixing to the top and rear outlets. If you are installing this stove in a Smoke Controlled Zone, you must install the smoke control slide plate (found in the flue collar box) – for full installation details of the smoke control slide plate, see the dedicated section on page 7.

Please check all components of your Woolly Mammoth stove are in good working condition prior to an initial burn. Your stove has adjustable primary and tertiary air intakes below the door and a secondary air intake above the door, an externally controlled riddling grate and door mechanism.

Installation Health and Safety Precautions

Special care must be taken when installing the stove such that the requirements of the Health and Safety at Work Act are met.

Handling – Adequate facilities must be available for loading, unloading and site handling.

Fire Cement – Some types of fire cement are caustic and should not be allowed to come into contact with the skin. In case of contact wash immediately with plenty of water.

Asbestos – The stove contains no asbestos. If there is a possibility of disturbing asbestos in the course of installation, then please seek specialist guidance and use appropriate protective equipment.

Metal Parts – When installing or servicing this stove, care should be taken to avoid the possibility of personal injury.

Please refer to BS 8303 Code of Practice for installation of domestic heating and cooking appliances burning solid mineral fuel.

The chimney must be swept and examined for soundness and suitability before the appliance is installed. Remedial action should be taken if required, seeking expert advice is necessary. Where the chimney is believed to have previously served an open fire installation it is possible that the higher flue gas temperature from a closed appliance may loosen deposits that were previously firmly adhered, with the consequent risk of flue blockage. It is therefore recommended that the chimney be swept a second time within a month of regular use after installation.

Ensure all parts are fitted in accordance with the instructions.

On completion of the installation allow a suitable period of time for any fire cement and mortar to dry out, before lighting the stove. Once the stove is under fire check all seals for soundness and check that the flue is functioning correctly and that all products of combustion are vented safely to atmosphere via the chimney terminal.

On completion of the installation and commissioning ensure that the operating instructions for the stove are left with the customer. Ensure to advise the customer on the correct use of the appliance and warn them to use only the recommended fuel for the stove.

Advise the user what to do should smoke or fumes be emitted from the stove. The customer should be warned to use a fireguard to BS 8423:2002 (Replaces BS 6539) in the presence of

children, aged and/or infirm persons. The installer should check the current issues of British Standards BS EN 15287-1:2007 design, installation and commissioning of chimneys.

CO Alarm - Building regulations require that whenever a new or replacement fixed solid fuel or wood/biomass appliance is installed in a dwelling a carbon monoxide alarm must be fitted in the same room as the appliance. Further guidance on the installation of the carbon monoxide alarm is available in BS EN 50292:2002 and from the alarm manufacturer's instructions. Provision of an alarm must not be considered a substitute for either installing the appliance correctly or ensuring regular servicing and maintenance of the appliance and chimney system.

Warnings

Properly installed, operated and maintained this stove will not emit fumes into the dwelling. Occasional fumes from de-ashing and re fuelling may occur. However, persistent fume emission is potentially dangerous and must not be tolerated. If fume emission does persist, then the following immediate action should be taken:

- (a) Open doors and windows to ventilate the room and then leave the premises.
- (b) Let the fire go out.
- (c) Check for flue or chimney blockage and clean if required.
- (d) Do not attempt to relight the fire until the cause of the fume emission has been identified and corrected. If necessary, seek expert advice.

The most common cause of fume emission is flueway or chimney blockage. For your own safety these must be kept clean at all times.

Aerosol sprays should not be used near the stove when it is alight.

Please note that parts of the stove become very hot while the stove is running, so should not be touched with bare hands. A heat proof glove should be used for the operation of the hot stove.

Product End-of-Life/Recycling: To dispose of the stove after the product life has expired, please observe the following information:

- Dispose of the items correctly i.e. separate the parts to be disposed of in material groups.
- Always dispose of items in a way that is as sustainable as possible and that is in line with the current environmental protection, reprocessing/recycling and disposal technology.

Space for fire – Distances to Combustible Materials

Model	Distance to Combustibles – Rear (mm)	Distance to Combustibles – Side (mm)	Suitable For 12mm Hearth
5 mk2	300	400	YES
5WS mk2	300	400	YES
8 mk2	300	300	YES

Use in Smoke Control Zones (WM5 & WM5 WideScreen)

If installing in a smoke control zone you must install the smoke control slider plate to the secondary air control prior to use for models WM5 and WM5 WideScreen or engage the Smoke Control Block on the WM8 model. Failure to install this correctly will result in the stove not complying with regulations for use in a smoke control zone.

For WM5 and WM5 WideScreen models, you will find your smoke control slider plate in the flue collar box when unpacking your stove. It is a fairly straight forward process to install this onto the secondary air slider (located centrally above the stove door). Just follow the steps below:

Step One



Locate the smoke control slider plate (packed in the flue collar box) and unscrew the secondary air control knob.

Step Two



Notice that one side of the slider has a stopper that protrudes and a hole in the centre for the air control.

Step Three



Place the central hole in the slider over the air control with the protruding stopper facing inwards and to the left of the air control. Ensure that the air control is set to the right to allow room for the stopper to sit in the channel.

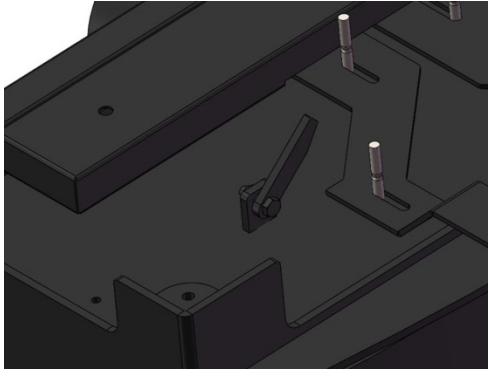
Step Four



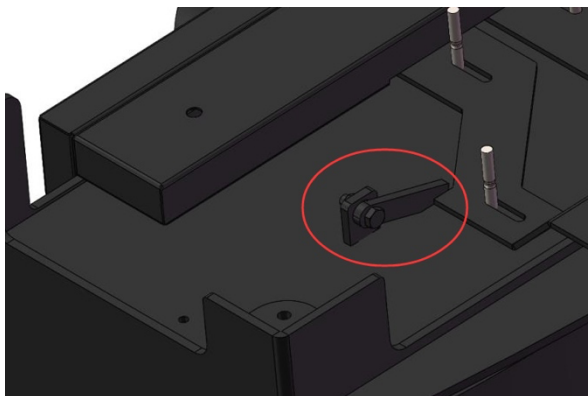
Re-screw the knob onto the control. You have now installed the smoke control slider plate and your stove is ready for use in a smoke control zone.

Use in Smoke Control Zones (WM8)

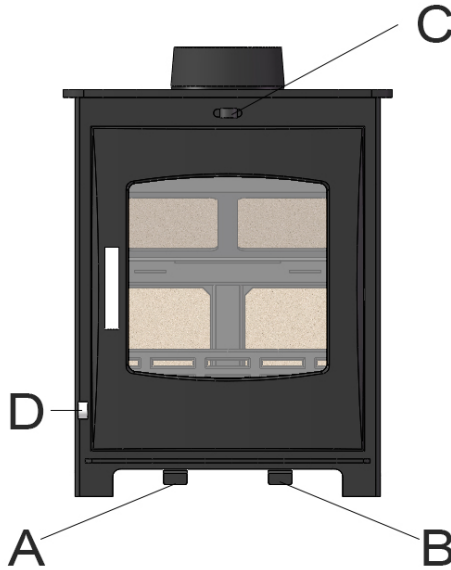
For the WM8 model the procedure to ensure compliance with DEFRA regulations in a smoke control zone is different. Underneath the (in between the heat shield and the underside of the stove body) you will see a lever arm which will be in the open position (as in the image below).



To ensure compliance for use in a smoke control zone the install must first pull the tertiary air level (the right hand bottom level control) all the way forwards and then close the lever arm under the stove which when fully closed will prevent movement of the tertiary air lever, as shown below:



Basic Operation



Your Woolly Mammoth stove comes equipped with 4 Main controls:

Primary Air Control (A) – The main air control, used predominantly during start-up/lighting of your stove. This works on a push-pull slider system

Tertiary Air Control (B) – Your tertiary air control allows you to control the amount of hot air fired into the burning chamber to re-ignite the smoke for a more complete burn. This works on a push pull slider

Secondary Air Control (C) – This works on a left to right slider system and controls the flow of secondary air into the stove. This air allows the stove burn to be controlled at a lower burn rate, as well as the air wash that keeps the glass clean.

Riddler Control (D) – This is the control for the riddling grate. This works on a push-pull slider system

Lighting Your Woolly Mammoth Stove

Your new Woolly Mammoth stove is fitted with an adjustable primary air intake, controlled by the slider at the base of the model, an adjustable secondary air intake positioned to above the door (which also controls the air wash system) and an adjustable tertiary air intake, controlled by the bottom right hand slider, for complete combustion of all fuels. The air is drawn from the rear of the stove, through the direct air connection, which allows for the connection of a direct air kit*.

*Please note that HETAS product approval remains valid for the appliance only when installed with its air supply taken from the room of installation and the room is ventilated permanently to outside air as necessary in accordance with the guidelines given in Approved Document J. HETAS product approval is not valid for appliances fitted with an external air supply ducted directly to the appliance.

It is advised to light a number of small fires to 'bed in' your new stove and ensure the longevity of the metal construction and any coatings. Creating too large a fire too soon can lead to warping of the body of the stove as the metal expands and doesn't reset. You should never use more than 2 quarter logs in the firebox at the same time as this will lead to over firing and will void the manufacturer's warranty.

Successfully lighting a fire can be inhibited by cold air in the flue and changeable weather conditions (please see our section on Autumn & Spring Syndrome) and so our reverse fuel stacking method detailed below provides the best chance of lighting a fire on all occasions as the initial heat created is targeted upwards to warm the air within the flue rather than down into larger logs at the base of the fire box:

1. Check that both the primary, secondary and tertiary air intakes are in the open position.
2. Remove larger lumps of burnt material from the firebox, leaving a 1cm layer of fine ash to insulate the grate.
3. Have to hand all fuel required; kindling (small and larger pieces), firelighters, matches and a selection of logs ranging from small to large quarter pieces.
4. Create a grid of dry kindling using 6 pieces and place firelighters within the 4 squares of the grid.
5. Strike a match and light the firelighters within the grid of kindling and leave the door open.
6. As the kindling takes, gradually place larger kindling on top of the fire and leave the door open.
7. Once the fire is established, spread the kindling a little to expand the fire bed using an appropriate tool.
8. Place the smallest of your logs onto the fire being careful not to extinguish the flames and leave the door open.
9. Gradually build the fire by adding larger logs and begin closing the door. Closing the door will reduce the oxygen feeding the fire so this must be done gradually whilst checking the fire remains established.
10. Once the fire is fully established with the door closed, control the ongoing burn using the air intakes. Wood requires an air supply from above for secondary combustion and is controlled by the secondary air intake whereas coal requires this from below using the primary air intake.
11. Allow for a small build-up of ash when burning wood to insulate the fire box sufficiently or to remove any unwanted ash build up, simply operate the externally controlled riddling grate.

12. To extinguish the fire, close the primary air intake fully and then the secondary. Do not completely close all air intakes at once to allow the fuel to efficiently burn out. Once extinguished, close all air intakes and dampers completely.

Spring and Autumn syndrome

Stoves utilise the effect of air current within the flue to both exhaust the products of combustion and to induce air into the stove. Normally, because the air within the house is warmer than the outside air the flue is exhausting air from the stove even when it is not operating.

- A hot flue does not “draw” air into a stove, it is the differences of densities that motivate the lighter gases upwards.
- The greater the temperature difference between the gases within the flue and the surrounding air, the greater the difference in densities and the greater the motivation.
- The taller the flue, the greater the weight of the equivalent volume of denser air, the greater the motivation.

During the changeable weather conditions of Spring and Autumn the outside temperature can rise suddenly and become warmer than the temperature within the house.

This causes the air within the flue to reverse its normal flow pattern and air travels down the flue. The most obvious outcome of this will initially be a smell from the flue and while this is not harmful it may be unpleasant if the flue has not been swept as often as it should have been.

Because of the warmer outside temperature, the house will feel colder than it is, and the desire to light the stove and at least match the outside temperature will reveal another problem, the stove will not light.

If sufficient air is coming down the flue the stove will appear to begin its lighting cycle, but smoke will emanate from what are normally air inlets and into the room.

The stove may continue to operate in this fashion for a considerable time but because the flue is operating in reverse there is no possibility of any warm air produced by the stove travelling up the flue to warm it and reverse the flow.

If the house feels colder than the outside temperature, do not light the stove without clarifying that the air is travelling up, rather than down, the flue.

As mentioned previously, a smell of soot is an indication that the flue is operating in reverse but by opening the stove’s door and placing a hand within the stove, it should be possible to confirm the air flow. Leaving the stove door open for a few minutes may allow enough air through the flue to warm its fabric sufficiently, to at least stall the air flow, which will make lighting possible.

Over Firing

Over firing any stove is dangerous and means the stove is being used beyond its capacity. If the burner or connections glow red, the appliance is being over fired and will void your warranty.

Under Firing

When fuel is burnt slowly it will produce higher levels of moisture, tar and creosote which will create condensation and deposits in the chimney. If you are to burn your Woolly Mammoth stove at a reduced rate, it must be combined with periods of fast burning.

Slow combustion

Should you wish to burn your Woolly Mammoth stove at a slow rate, light the stove in the normal way to achieve nominal burn. Once optimum flue temperature has been achieved, close the primary air control and reduce the secondary air control to no more than 25%. This will allow the fuel to burn slowly whilst still emitting a comfortable heat.

Refuelling onto a low fire bed

If there is insufficient burning material in the fire bed to light a new fuel charge, excessive smoke emission can occur. Refuelling must be carried out onto a sufficient quantity of glowing embers and ash that the new fuel charge will ignite in a reasonable period. If there are too few embers in the fire bed, add suitable kindling to prevent excessive smoke

Fuel overloading

The maximum amount of fuel specified in this manual should not be exceeded, overloading can cause excess smoke.

Ash Removal

The supplied ash pan must be emptied regularly and never allowed to build up to touch the underside of the multifuel grate. Some fuels will create more denser deposits than others. Ensure that you clean the stove on a regular basis.

Fuel Guide

We recommend the use of sustainably sourced British hardwood for Woolly Mammoth stoves.

Wood fuel naturally has high water content and is not suitable for combustion until seasoned for approximately two years to achieve a moisture level below 20%. Only then can this be used in your Woolly Mammoth stove. Wood fuel purchased from an approved source may still require some drying out to remove surface water before use. We recommend only using fuel from approved Woodsure suppliers – look for the Woodsure – Ready to Burn logo.

High density hardwood has a slow, steady output producing twice the heat of softwood and is carbon neutral. For perfect fuel storage, please allow for plenty of air to circulate your wood fuel.

Refuelling Periods and Procedure

The efficient burning of your Woolly Mammoth stove depends on many factors. The type of fuel you use will define how often you need to refuel the stove. Hard wood will burn longer and steadier than softer woods, which will burn quickly and produce less heat. We advise the use of Seasoned Hard Wood in log sizes which do not exceed the maximum log size.

We suggest that you refuel every 45 minutes to 1 hour, dependent on fuel.

Wood fuel with water content greater than 20% ('green wood') must not be used for combustion in a Woolly Mammoth stove. The recommended maximum dimensions of wood logs are as specified below:

Model	Maximum Length - mm	Maximum Diameter - mm
5 mk2	250	175
5WS mk2	330	175
8 mk2	400	175

Any moisture must evaporate before the wood fuel will produce heat and during this process the wet wood will create excessive tar and creosote deposits, damaging both your stove and chimney system and increasing the risk of a chimney fire.

Please refer to the Solid Fuel Association and Hetas for approved fuel suppliers.

Never burn plastics, household waste or treated timber in your Woolly Mammoth. The use of any fuel other than that recommended in this user manual will void the *Mammoth 5 Year warranty PLUS*

At nominal output, refuelling is required approximately every 45 mins - 1hr. When refuelling, open air intakes to establish a hot bed of fuel and allow to burn at maximum output for a few minutes before adjusting air intakes. If there is not a sufficient hot bed of embers when refuelling, smoke may be emitted from the appliance. Use smaller logs or kindling to reduce this. Do not overload the fire box. Fuel load should not rise above the insulating fire bricks and/or touch the baffle plate.

Operation with the door open can cause excessive smoke. Operation with the air controls or appliance dampers open can cause excessive smoke. The appliance must not be operated with air controls, appliance dampers or door left open except as directed in this user manual.

Maintenance

Your new Woolly Mammoth stove must be regularly maintained.

The grate should be cleaned after use and free of heavy build-up of ashes to prevent this from burning out, especially with the use of anthracite coals.

The stove, connectors and chimney should be swept regularly, recommended three times a year by HETAS.

Please check fire bricks regularly. These will crack due to the heat of the stove, but this will not affect operation or heat output. Replacement bricks can be purchased when they crumble or disintegrate.

Allow the stove to cool before cleaning surfaces with a soft brush or lint free cloth.

Heat resistant coatings are available to renew the finish.

Remove and clean the baffle plate once a month to remove tar and sooty deposits.

Sooty deposits will be removed from the glass through the application of high heat (air wash) and can also be cleaned when cool with a suitable glass cleaner.

Only replace stove glass with Woolly Mammoth heat resistant glass. Wet logs, pokers and slamming will damage the glass.

Where a chimney has previously served an open fire, a second sweeping is recommended within a month of using your Woolly mammoth stove as the higher temperatures may dislodge previously embedded soot and tar deposits.

When not in use (through the summer months), it is advisable to ensure the stove is clear of all ash and fuel and air in takes are left open to prevent condensation build up.

Do not modify your Woolly Mammoth stove and ensure chimneys are clear before every heating season.

Rope seals will require checking and potentially replacing annually.

Check all moveable parts regularly.

Replacement Parts and Accessories

In addition to our market leading 5yr *Mammoth warranty PLUS*, for complete peace of mind and to ensure the ongoing enjoyment of your Woolly Mammoth stove, official replacement Woolly Mammoth stove components are readily available through our approved dealers. Please contact your local Woolly Mammoth supplier.

Please refer to our warranty terms for components covered for a total of five years.

To monitor the output and efficiency of your Woolly Mammoth stove, we recommend the use of a Woolly Mammoth Stove Thermometer, available from your local approved Woolly Mammoth dealer.

To maximise the output and efficiency of your Woolly Mammoth stove, we recommend the use of a Woolly Mammoth Swift or Swift Plus Stove Fan, available from your local approved Woolly Mammoth dealer.



Trouble Shooting

The most common assumption amongst stove users is a fault with the stove. This is incredibly unlikely due to the limited mechanical nature of a wood burner. Stoves are not designed to be airtight and the effective lighting of a fire, control and draw is dictated by the chimney system which can easily over or under draw due to many factors.

Fire Won't Light

Is there sufficient ventilation in the room to supply air to the stove? A permanently open-air brick must be installed with your Woolly Mammoth stove and extractor fans must not be present. Are the air intakes open and free from blockages? Is an approved fuel being used in line with the guide in this user manual? Has the chimney been swept? Does the flue draw fall between the required levels?

Fuel Burns Quickly

Over firing occurs when too much air is being drawn into the stove due to the chimney system over drawing. Do the doors close correctly? Are rope seals intact? Are the glass retaining clips loose? Is the correct fuel being used? It is not unusual to require a draught stabilizer to reduce the draw on a stove due to excessive flue draught.

Blow Back

If the doors are closed prematurely or intakes are not open enough after refuelling, small explosions can force air through the seals of the stove.

Smoke Leaks From The Stove

As stoves become more insulated and efficient, greater care must be taken when re-fuelling to prevent smoke from entering the room when opening the door. To minimise this, we recommend only re-fuelling when the fuel has burned right down and then 'burp' the door by opening initially just a crack. Then allow the airflow in the burning chamber to settle before completely opening the stove door and re-fuelling.

If the chimney system has been installed in line with current building regulations by a registered installer, this will always provide the required draw to remove all harmful gases and smoke from the fire box. If smoke is emitted from the stove, please refer to your chimney installer.

If you are having persistent issues with smoke entering the room, then you may need to speak to your installer again but issues to look at include; Is the system at least 4.5m? Are there any horizontal runs in the flue system greater than 150mm? Is the chimney blocked? Are there strong

winds pushing the smoke back down the chimney? Is the flue diameter correctly sized? Are air vents open? Is a correctly sized air brick installed in the room the stove is in?

Glass Blackens Quickly

The air wash system fitted as standard in a Woolly Mammoth stove utilises the most effective system of warming the air along the entire length of the fire box before jetting it down behind the glass. Increasing the heat and opening the secondary air intake will clear the glass.

The Stove or Door Has Warped

This is due to over firing of the stove beyond its capacity. You must start with small fires over the course of a few days to 'bed in' the stove before taking it to maximum output.

No Heat is Being Emitted

Hot air rises and will be lost up the chimney if this is not suitably capped off with a Chimney Closure Plate (Register Plate) and sealed with a heat resistant cement or silicone. Is your chimney over drawing and burning through fuel too quickly? Does your wood fuel have less than 20% moisture content? Is the baffle plate sited correctly? Open the stove door and listen for wind up the chimney. If this is the case, install a draught stabiliser or damper to prevent this.

Protection Against Fire Risk

When choosing where to site your Woolly Mammoth stove, it is imperative that you adhere to the minimum distances to combustibile materials as quoted in this manual. During prolonged use of the stove, the radial area will always be of an elevated temperature to the rest of the room.

Whilst the minimum distances are more than sufficient to fixed items, care should be taken to ensure that items such as curtains, small soft furnishings such as padded foot stools etc are not likely to be placed in this area.

Another risk factor to consider is the storage of logs around the stove area. If piled close to the sides of the stove, heat will build up during the prolonged use of the burner. Over time, this will cause the core of the logs to heat which could cause them to start smouldering. If this goes unnoticed, it can lead to ignition of the logs.

If unsure, or in need of advice, please do not hesitate to contact either your installer or Woolly Mammoth directly.

Chimney Fire Prevention

Causes

The biggest cause of chimney fires is a build-up of deposits such as wood tar or coal soot. As these build up over time, the risk of chimney fire becomes greater. The deposits will release combustible volatiles as they heat up from the fire below. Eventually, these may ignite if the temperature reaches ignition point.

The easiest and most effective way to stop this happening is regular cleaning of the flue/chimney. This should be done in ratio to the fire usage. We recommend flue sweeping at least once a year.

How To Spot A Chimney Fire

The first sign of a chimney fire is a roaring noise. This is coupled with excess smoke pouring from the chimney pot. If you see flames coming from the chimney, this will point to the whole flue being alight.

If you discover a chimney fire, please take the following action:

1. Call the fire brigade – 999/112
2. Ensure all air vents and flue dampers are shut to reduce the chimney fire's oxygen supply
3. Move flammable materials, furniture, ornaments away from the fireplace
4. Feel the chimney breast throughout the house - if it is getting hot then move furniture away from it
5. Do not pour water on the fire if you have a stove
6. Ensure the Fire Brigade can access the loft space

Ultimately, ensure that you are safe from harm.

5yr Mammoth Warranty *PLUS*

Your brand-new Woolly Mammoth stove has been lovingly crafted and built to last and will be your companion for life if cared for and maintained correctly. However, in the extremely unlikely event of a manufacturing fault slipping past quality control, rest assured we have got you covered with our unrivalled *5yr Mammoth Warranty PLUS!*

It may be the industry standard to solely guarantee the body of a stove, but we understand that the safe, efficient, ongoing operation of your Woolly Mammoth stove involves much more. That is why guaranteeing the cast iron or steel body of your stove is only the starting point with the 5yr

Mammoth Warranty PLUS. For complete peace of mind, we will also guarantee the door and even manufacturing faults in the viewing glass for the full 5yr life of the warranty.

As much as we would like to, we cannot guarantee Woolly Mammoth stoves against misuse or general wear and tear and the following components are not covered by this warranty (not exhaustive):

- Grate Assembly
- Log Retainer
- Operational Handles
- Baffle Plate
- Ash Tray
- Insulating Fire Bricks

Or any damage resulting from:

- Misuse
- Transit of the stove
- Issues with the chimney / flue
- Over firing
- Wrong fuel
- Modifications

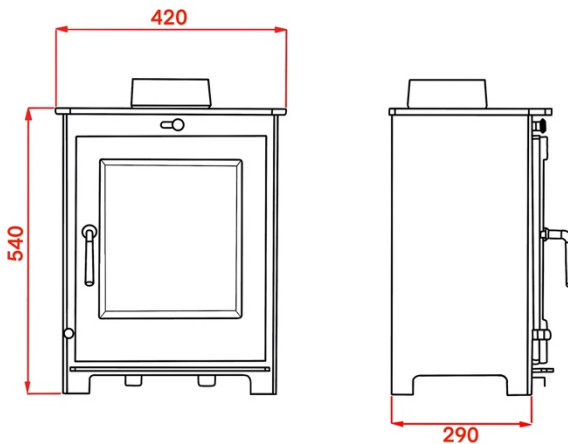
Woolly Mammoth stoves are covered for a period of 5yrs from date of purchase. We will provide like for like components (only) free of charge **excluding any installation or consequential loss or costs**. The *Mammoth Warranty PLUS* is only valid if installed in accordance with all information contained within the User Manual, complies with all current building regulations and signed off by a member of the Competent Persons Scheme or Local Building Control Body. Products must be installed for their intended purpose only. A warranty form must be completed and returned to the supplier of the stove to register the warranty within 6 months of purchase.

Performance certificates, flue draught readings and registration details of qualified installer used will be requested upon any claim under this warranty and failure to complete all information requested within the warranty form will render any warranty claim void. All installer details and HETAS registration number will be investigated and verified upon receipt of the completed form before a warranty is actioned.

Technical Drawings/ Performance Data

Woolly Mammoth 5 mk2

WM 5 mk2	Wood	Anthracite
Nominal Heat Output kw	4.8 kW	4.9 kW
Total Efficiency %	78.7%	77.4%
Mean CO Emission (at 13% O2)	0.09%	0.08%
Flue Gas Mass Flow g/s	4.8	4.9
Mean Flue Gas Temperature °C	239°C	266°C



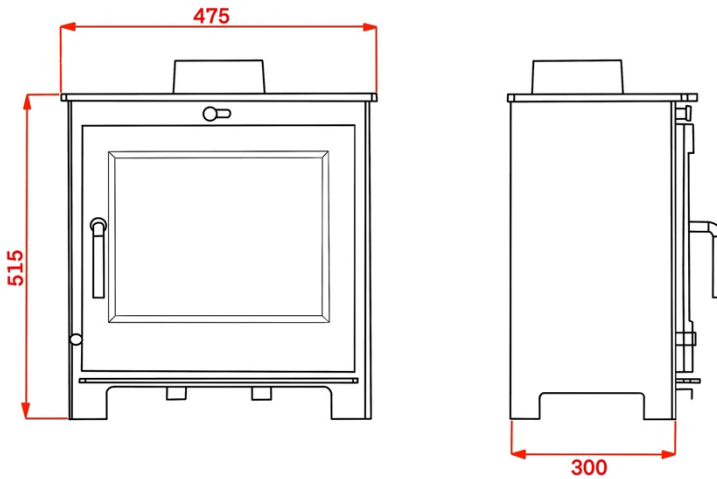
WM 5 mk2 Emissions Data	Wood Logs	Smokeless Fuel
PM mg/m3 @13% O2	22	27
OGC mg/m3 @13% O2	95	26
CO mg/m3 @13% O2	1171	1005
NOX mg/m3 @13 O2	137	13

Energy Efficiency Information:

Energy Class A | Energy Index: 104 | Seasonal Efficiency 68.7

Woolly Mammoth 5 WideScreen mk2

WM 5 WideScreen mk2	Wood	Anthracite
Nominal Heat Output kw	4.6 kW	6.2 kW
Total Efficiency %	75.6%	79.9%
Mean CO Emission (at 13% O2)	0.10%	0.06%
Flue Gas Mass Flow g/s	5.4	5.0
Mean Flue Gas Temperature °C	249°C	286



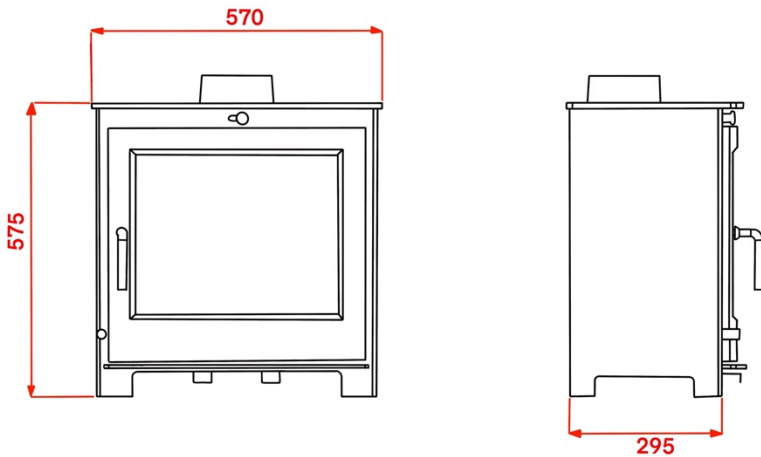
WM 5W mk2 Emissions Data	Wood Logs	Smokeless Fuel
PM mg/m3 @13% O2	30	27
OGC mg/m3 @13% O2	120	24
CO mg/m3 @13% O2	1307	727
NOX mg/m3 @13 O2	121	143

Energy Efficiency Information:

Energy Class A | Energy Index: 100 | Seasonal Efficiency 65.6

Woolly Mammoth 8 mk2

WM 8 mk2	Wood	Anthracite
Nominal Heat Output kw	8.2 kW	8.6 kW
Total Efficiency %	78.7%	79.0%
Mean CO Emission (at 13% O2)	0.10%	0.05%
Flue Gas Mass Flow g/s	8.1	7.0
Mean Flue Gas Temperature °C	238°C	297°C



WM 8 mk2 Emissions Data	Wood Logs	Smokeless Fuel
PM mg/m3 @13% O2	35	35
OGC mg/m3 @13% O2	92	43
CO mg/m3 @13% O2	1220	672
NOX mg/m3 @13 O2	135	155

Energy Efficiency Information:

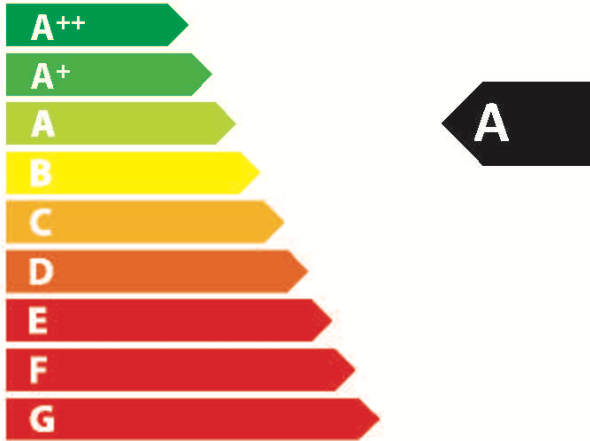
Energy Class A | Energy Index: 104 | Seasonal Efficiency 68.7



ENERG
енергия · ενεργεια



Woolly Mammoth Stoves Woolly Mammoth 5 mk2



4,6
kW

ENERGIA · ЕНЕРГИЯ · ΕΝΕΡΓΕΙΑ · ENERGIJA · ENERGY · ENERGIE · ENERGI

2015/1186

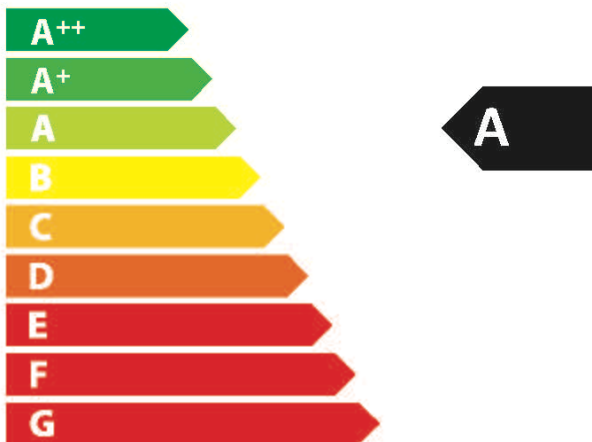


ENERG
енергия · ενεργεια



Woolly Mammoth Stoves

Woolly Mammoth 5 Wide
Screen mk2



4,6
kW

ENERGIA · ЕНЕРГИЯ · ΕΝΕΡΓΕΙΑ · ENERGIJA · ENERGY · ENERGIE · ENERGI

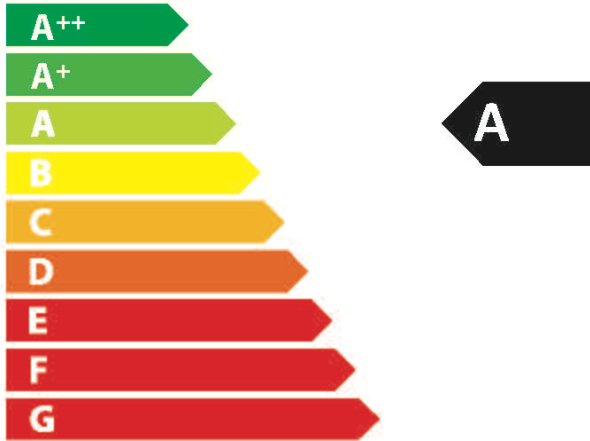
2015/1186



ENERG
енергия · ενεργεια



Woolly Mammoth Stoves Woolly Mammoth 8 mk2



8,2
kW

ENERGIA · ЕНЕРГИЯ · ΕΝΕΡΓΕΙΑ · ENERGIJA · ENERGY · ENERGIE · ENERGI

2015/1186

Register Your Mammoth 5yr Warranty PLUS

(Please complete and return to supplier purchased from within 6 months of purchase – You will not be able to claim under the terms of the warranty without registering)

Customer Name:	<input type="text"/>		
Customer Address:	<input type="text"/>		
	<input type="text"/>		
	<input type="text"/>		
Daytime Tel:	<input type="text"/>	Mobile Tel:	<input type="text"/>
Model Name:	<input type="text"/>	Model Number:	<input type="text"/>
Date of purchase:	<input type="text"/>		
Date of installation:	<input type="text"/>		
Installer's Name and address:	<input type="text"/>		
	<input type="text"/>		
Installer's Registration Number:	<input type="text"/>		
Building Control Certificate Number:	<input type="text"/>		
(if not installed by a registered competent installer)			
Dealer Name and address:	<input type="text"/>		
	<input type="text"/>		